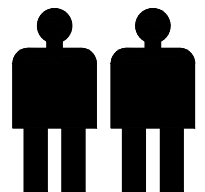
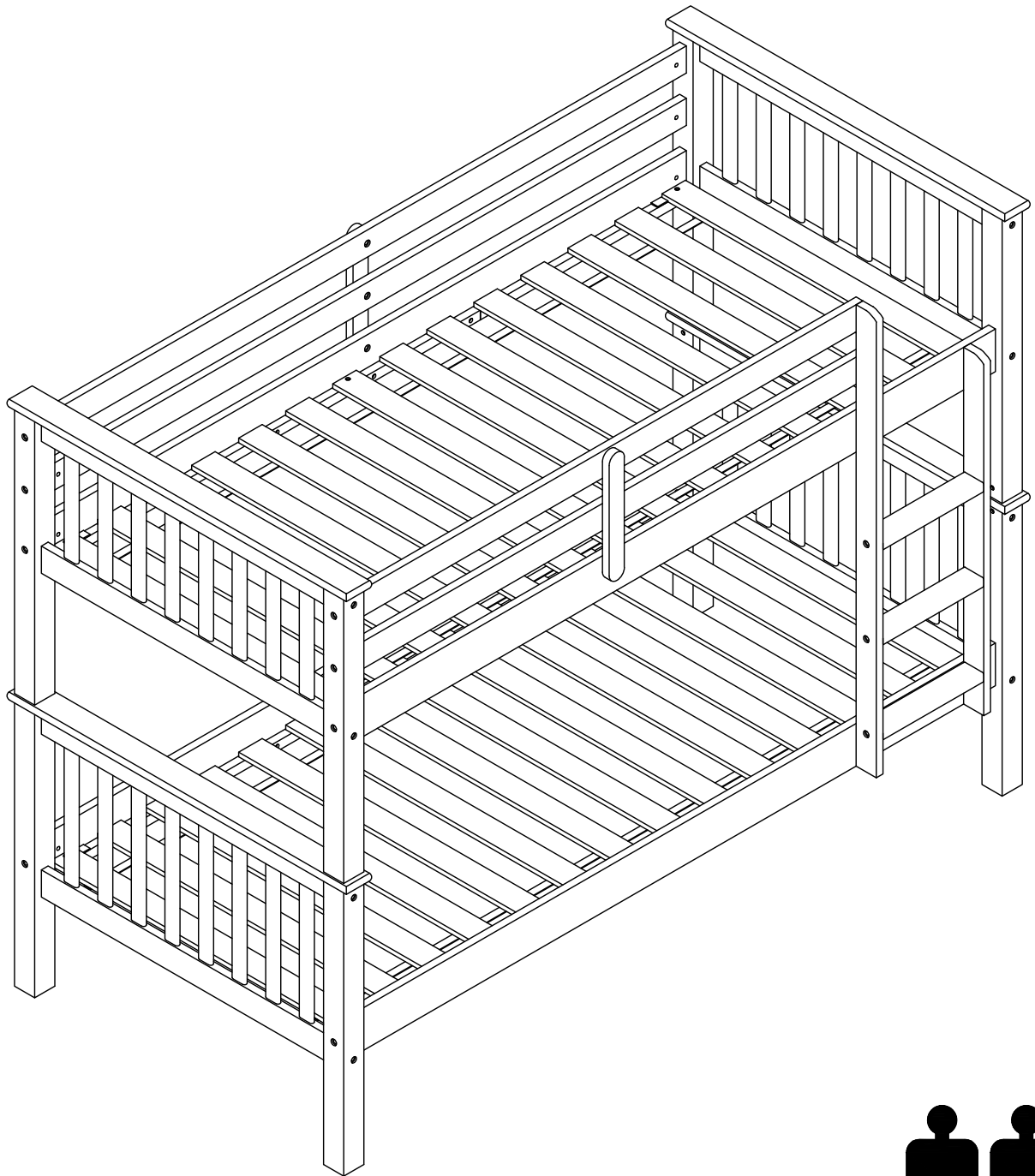
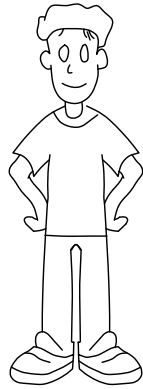


ASSEMBLY & CARE INSTRUCTION

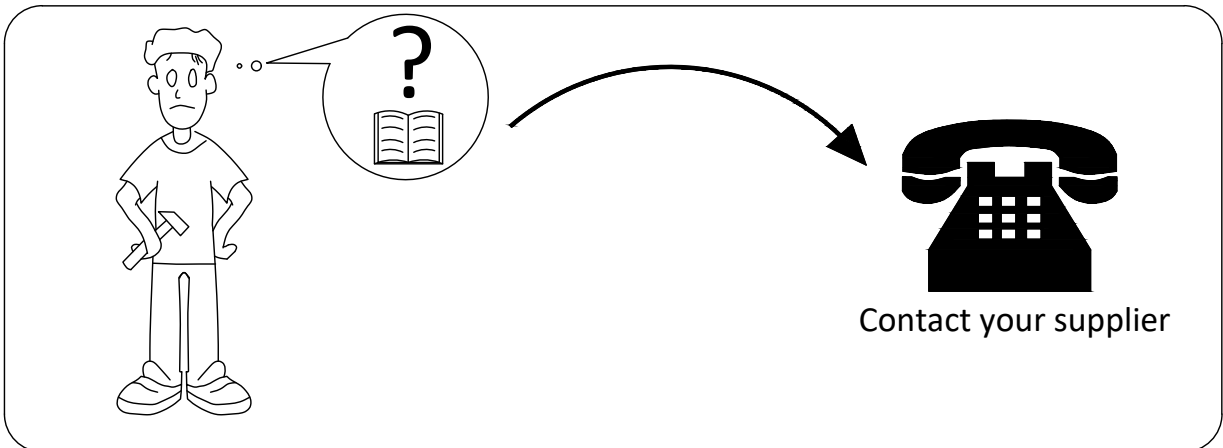
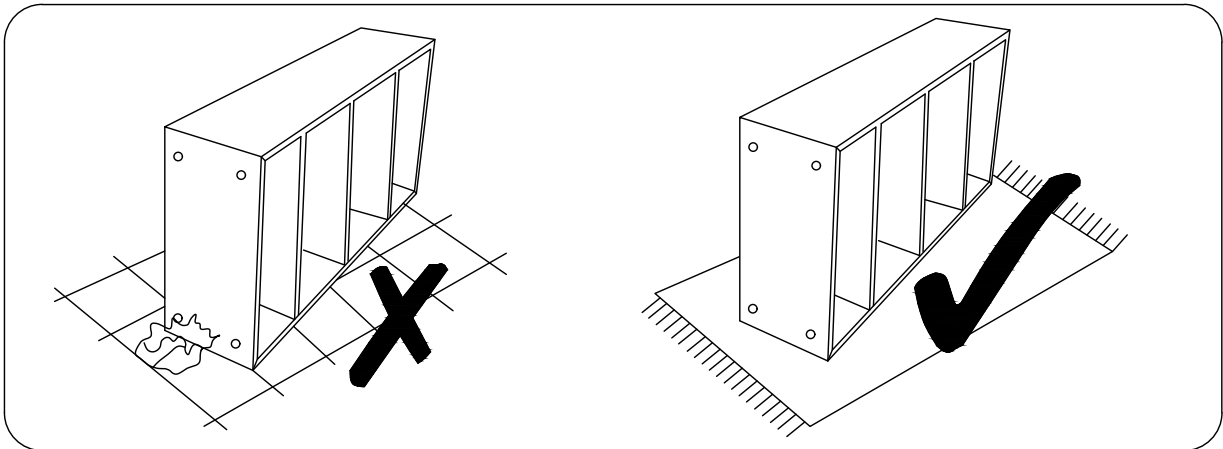
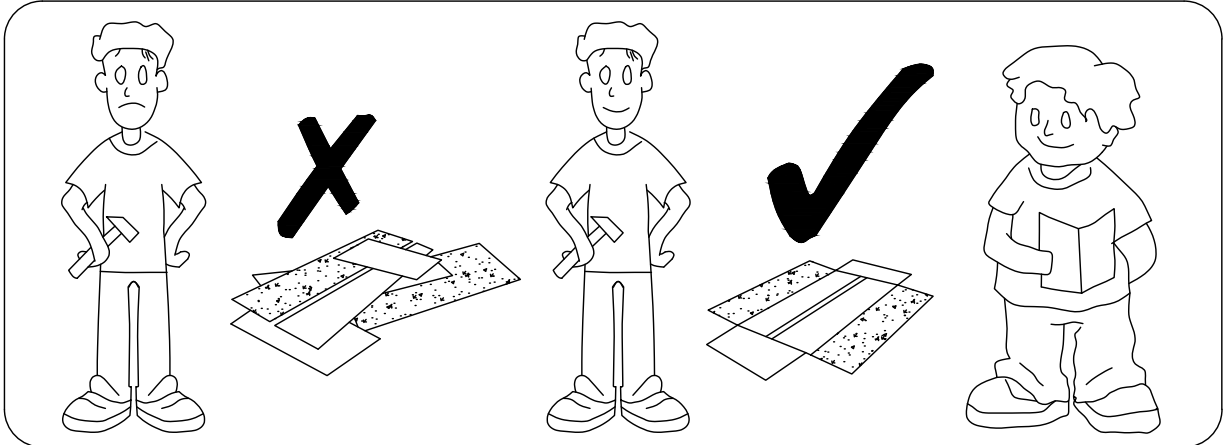
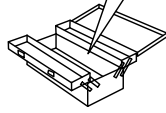
LEO BUNK BED FRAME



TWO PERSONS HANDLING



Only other tool
required is a
screwdriver (Not included)



Safety Advice

Please read these instructions carefully before you begin, when finished store safely for future reference.

It would be sensible to lay down a sheet or blanket on the floor in the room you are going to assemble the product in, this will help to avoid scratching the product and will help to protect the floor.

If the product is going to be used on a wood, laminate or tiled floor, we would recommend the use of anti-slip pads, these are available cheaply in most good hardware stores.

Unpack the product carefully, inspect all parts and check all the parts are in the box remembering some parts are in the back of the headboard, check all hardware and make sure all numbers match the AI.

Strongly recommend that children are kept out of the area where the bed is being assembled as there are several small parts that could present a choking hazard.

Do not use any power tools in the assemble of this bed at ANY time.

When you start to assemble the product, we recommend you put all small parts i.e. nut, bolts etc. into a bowl, this way you're less likely to lose any parts. Do not fully tighten bolts till your product is fully assembled. Do not tighten the bolts fully until the bed has been completely built.

Safety Warning

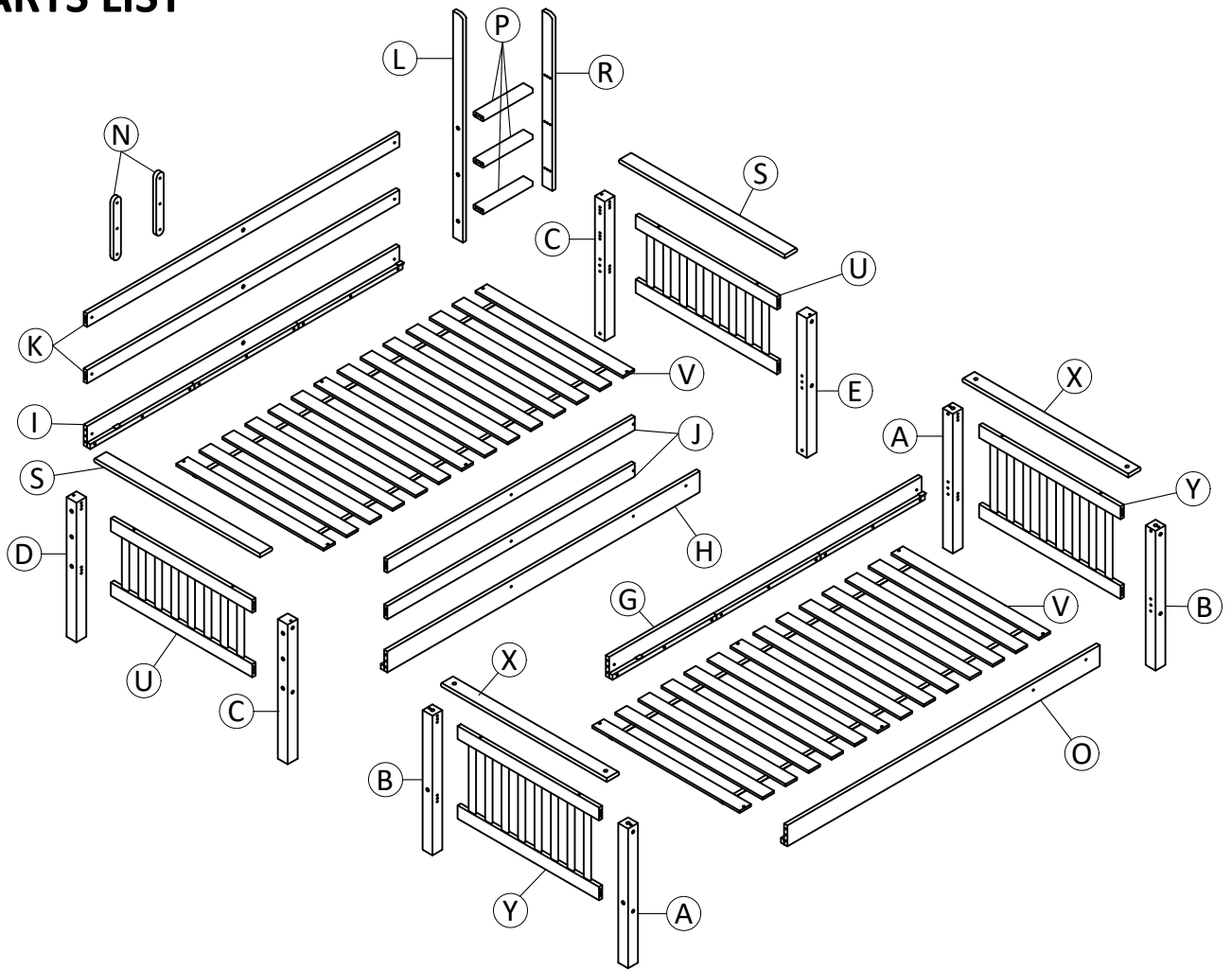
The design and construction of the base is made to only work with a mattress on top, do not sleep on the base without a mattress.

Every 3 months re-tighten the bolts to make sure they have not worked loose.




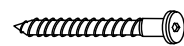
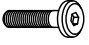






If for any reason you want to move the product to a different location the bed **MUST** be fully dismantled first to prevent damage.

Make sure all 4 feet are in contact with the floor, if not use the adjustment on the feet to make it happen.





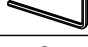

PARTS LIST

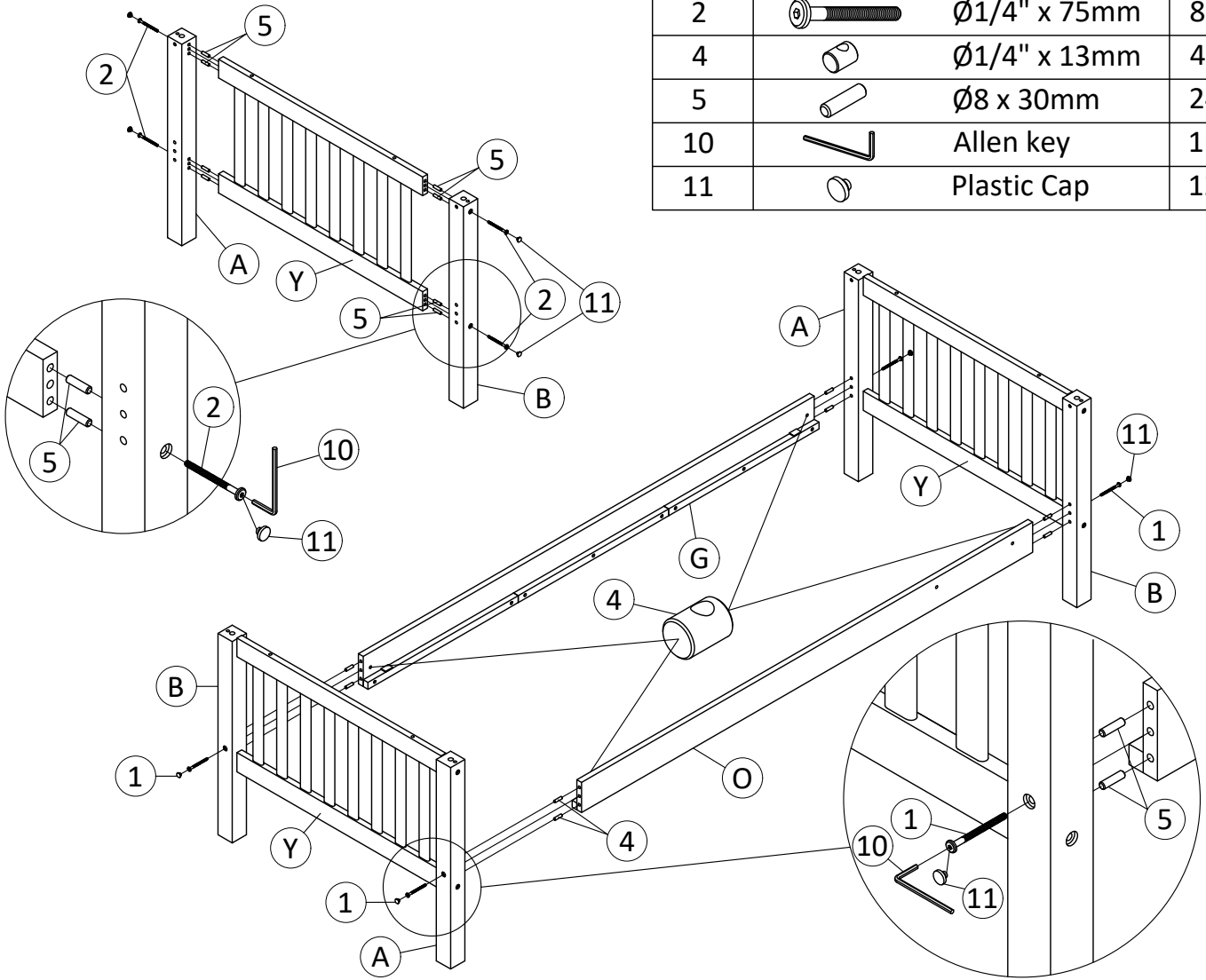


HARDWARE LIST

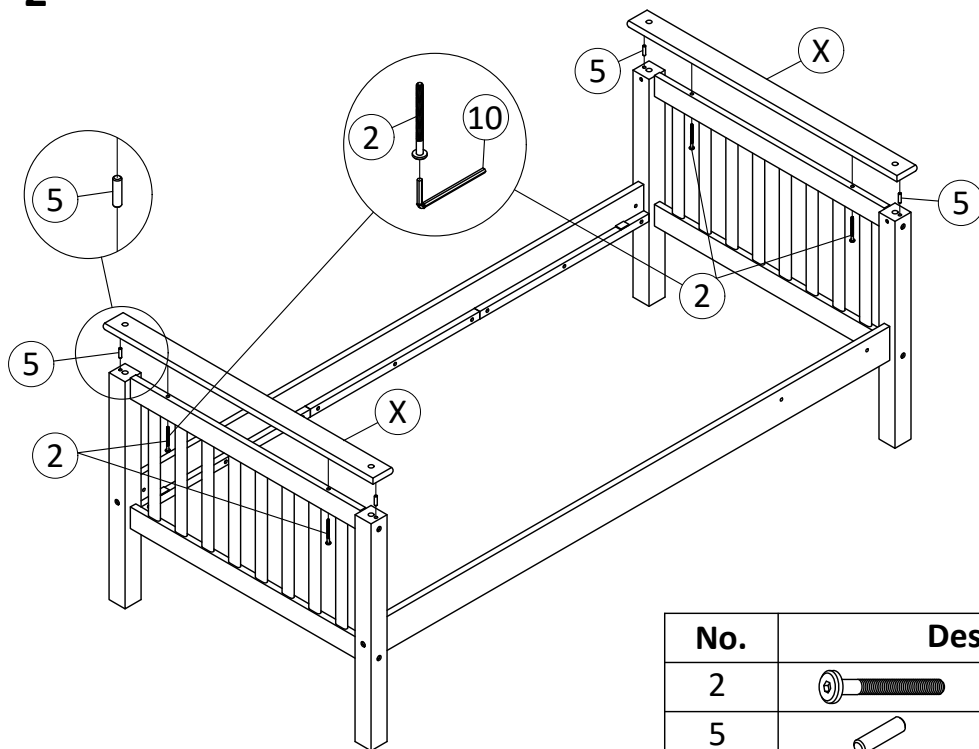
No.	Picture	Description	Q.ty	No.	Picture	Description	Q.ty
1		Ø1/4" x 100mm	14pcs	6		Ø15 x 90mm	4pcs
2		Ø1/4" x 75mm	24pcs	7		Ø1/4" x 50mm	6pcs
3		Ø1/4" x 30mm	12pcs	8		Ø4 x 35mm	8pcs
4		Ø1/4" x 13mm	14pcs	9		Ø4 x 30mm	12pcs
5		Ø8 x 30mm	80pcs	10		Allen key	1pc
				11		Plastic Cap	36pcs




STEP 1

No.	Description	Q.ty
1	 Ø1/4" x 100mm	4pcs
2	 Ø1/4" x 75mm	8pcs
4	 Ø1/4" x 13mm	4pcs
5	 Ø8 x 30mm	24pcs
10	 Allen key	1pc
11	 Plastic Cap	12pcs




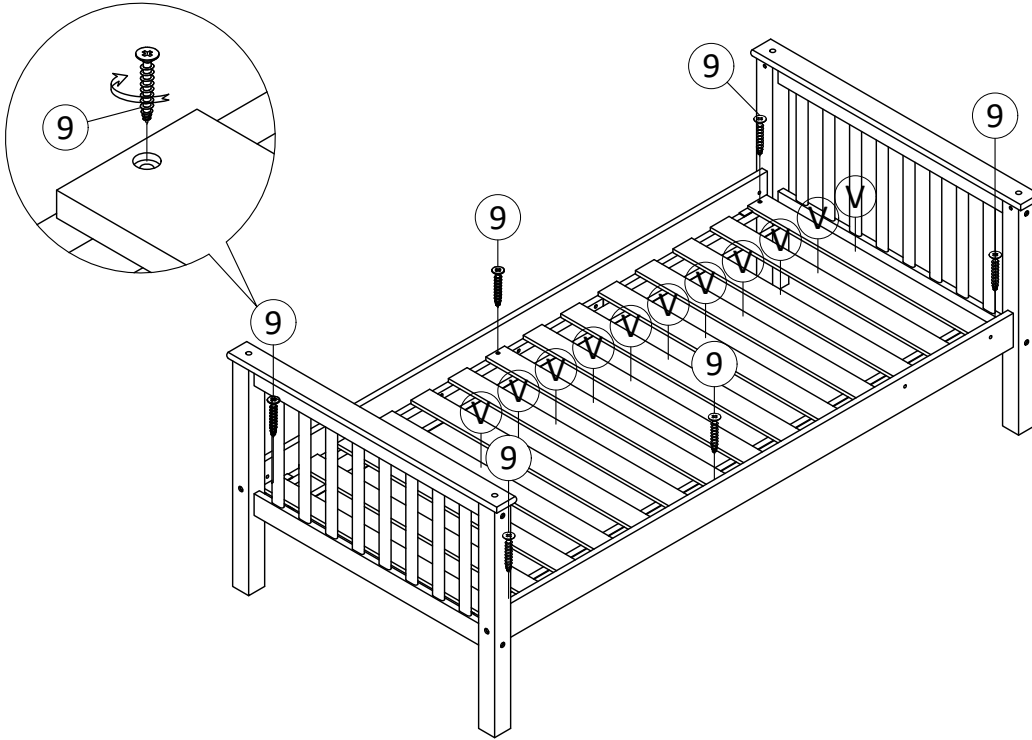
STEP 2



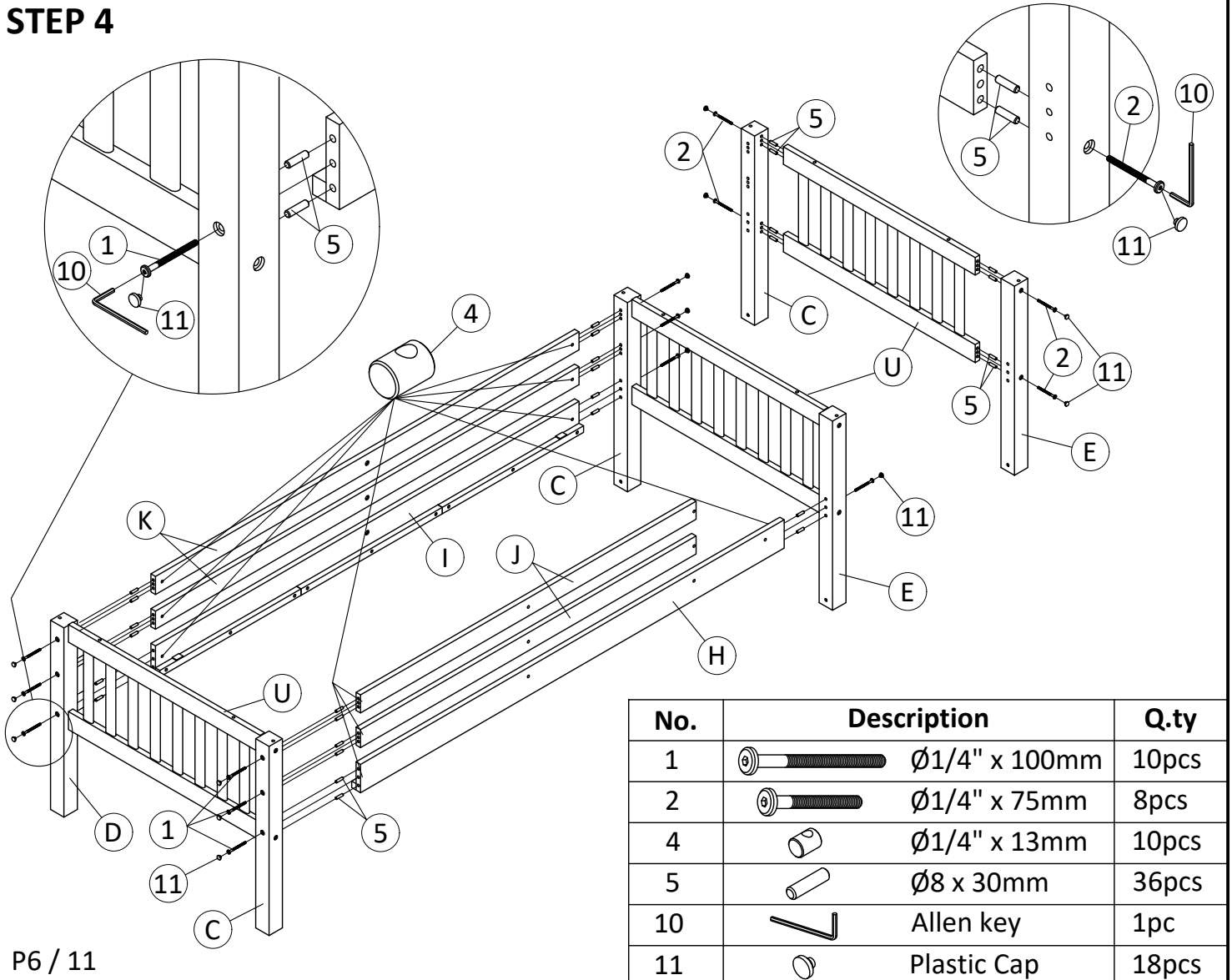
No.	Description	Q.ty
2	 Ø1/4" x 75mm	4pcs
5	 Ø8 x 30mm	4pcs
10	 Allen key	1pc







STEP 3

No.	Description	Q.ty
9	 Ø4 x 30mm	6pcs

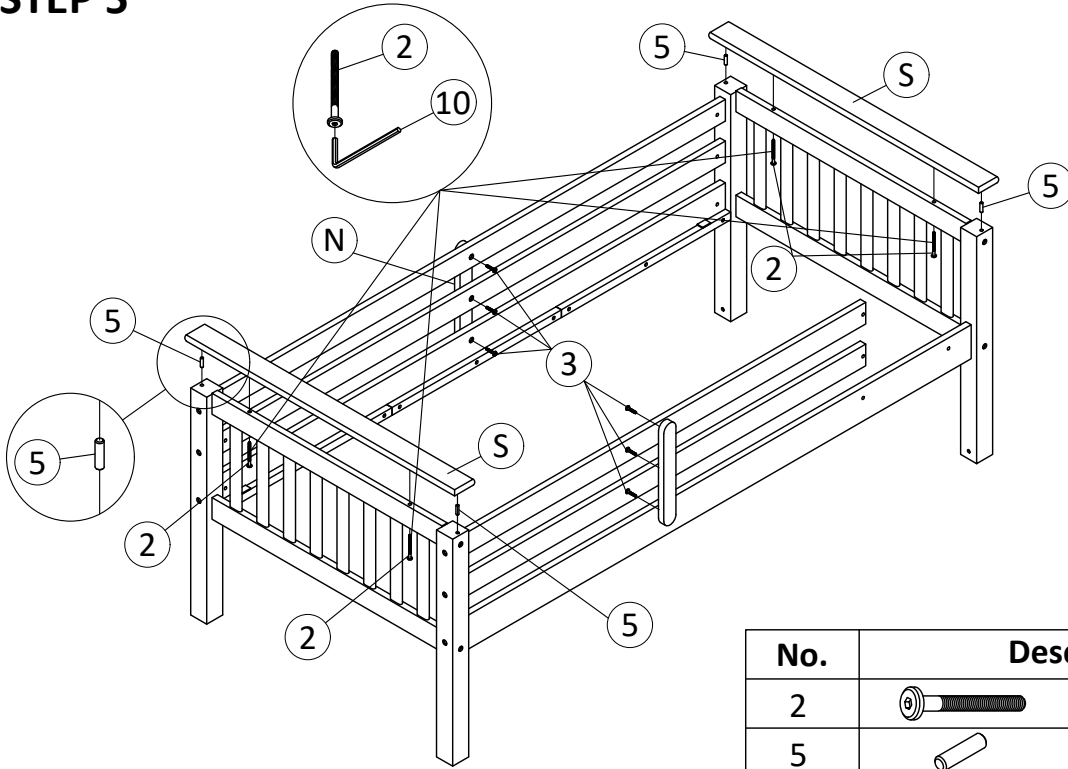






STEP 4



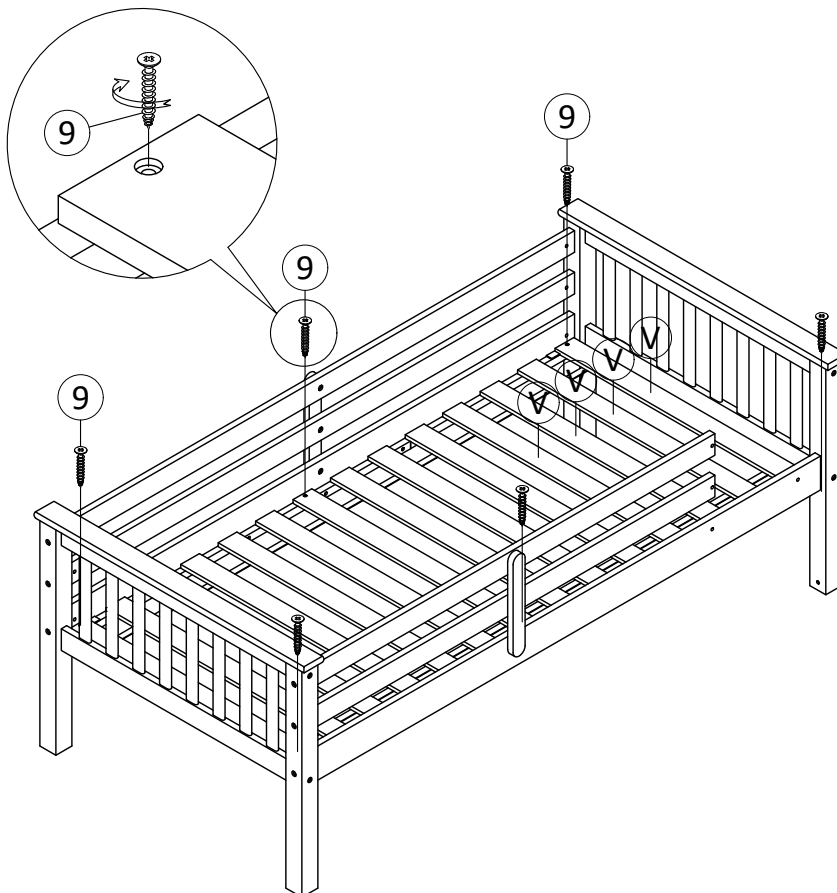
No.	Description	Q.ty
1	 Ø1/4" x 100mm	10pcs
2	 Ø1/4" x 75mm	8pcs
4	 Ø1/4" x 13mm	10pcs
5	 Ø8 x 30mm	36pcs
10	 Allen key	1pc
11	 Plastic Cap	18pcs

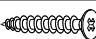
STEP 5



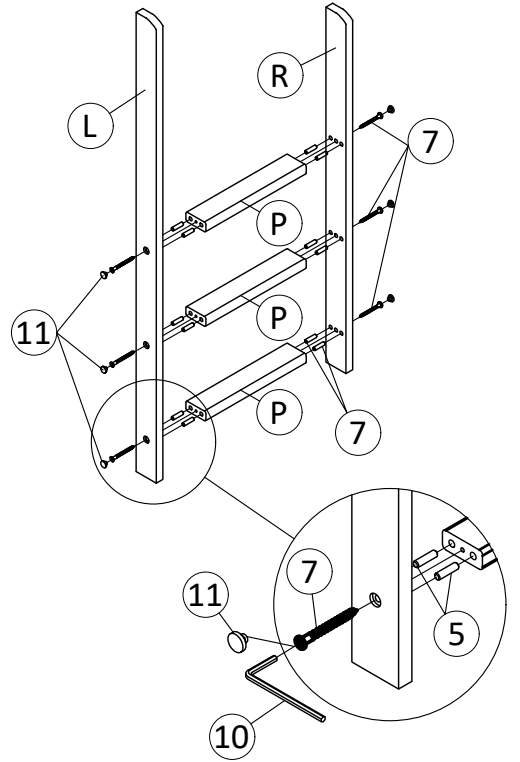
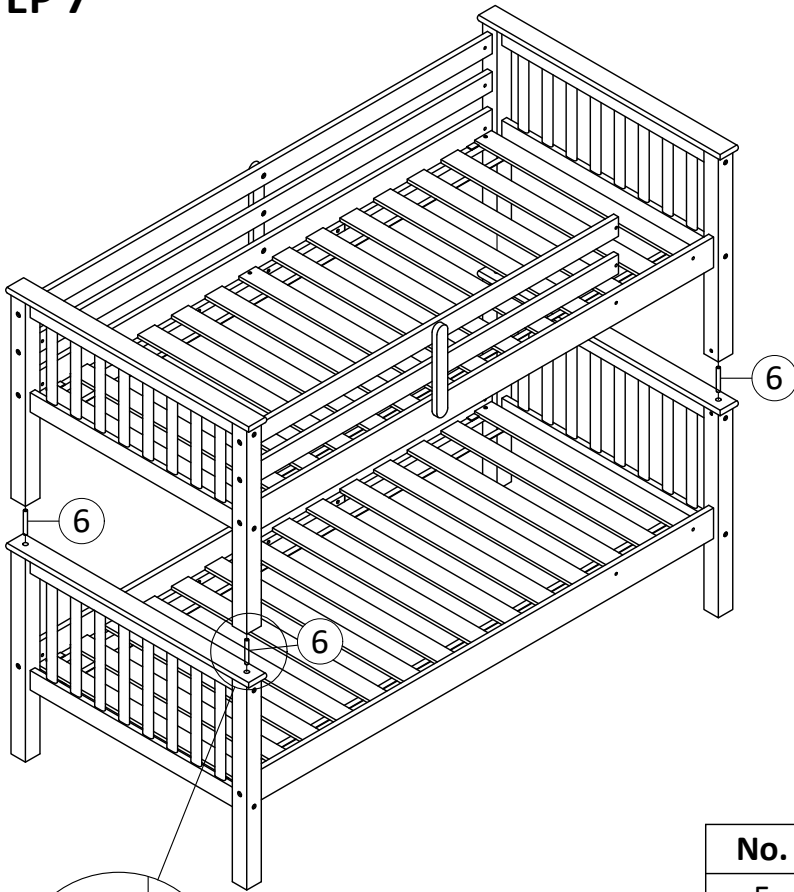
No.	Description	Q.ty
2	 Ø1/4" x 75mm	4pcs
5	 Ø8 x 30mm	4pcs
3	 Ø1/4" x 30mm	6pcs
10	 Allen key	1pc



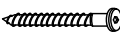


STEP 6



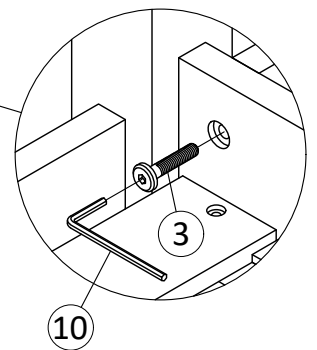
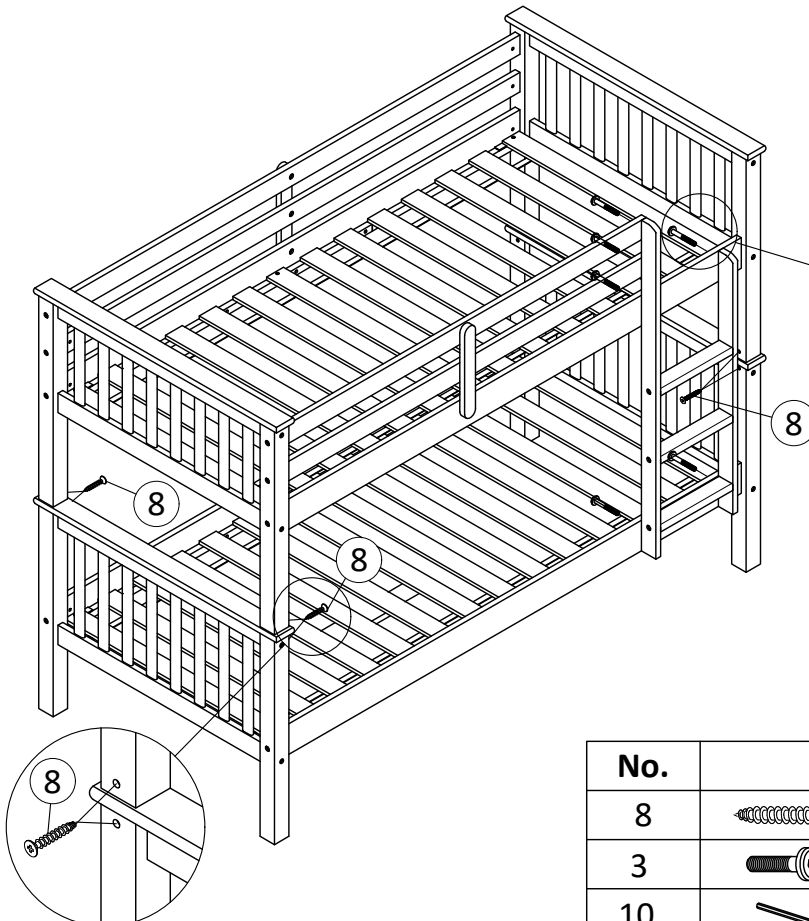
No.	Description	Q.ty
9	 Ø4 x 30mm	6pcs




STEP 7



No.	Description	Q.ty
5	 $\varnothing 8 \times 30\text{mm}$	12pcs
6	 $\varnothing 15 \times 90\text{mm}$	4pcs
7	 $\varnothing 1/4" \times 50\text{mm}$	6pcs
10	 Allen key	1pc
11	 Plastic Cap	6pcs

STEP 8



No.	Description	Q.ty
8	 $\varnothing 4 \times 35\text{mm}$	8pcs
3	 $\varnothing 1/4" \times 30\text{mm}$	6pcs
10	 Allen key	1pc

GENERAL CARE

To clean the product, wipe with a soft, slightly moist cloth.

Never use corrosive detergents, wire brushes, abrasive scourers, metal or sharp utensils to clean the product.

Keep the product away from direct heat and sunlight.

Prolonged exposure to heat sources may cause glazing, melting and scorching, or even cause color to fade.

Never drag or push the pieces across the floor as this will cause damage to the joints and could result in failure to the product that will invalidate the warranty.

Always lift the product when moving.

Never rub hard on the surface to remove a stain. If you can't remove it with a clean damp white cloth, seek for professional advice.

Never sleep on the base without a mattress fitted, they are made to work together.




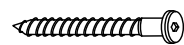
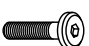



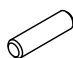


Notes

We've tried to make this piece of furniture as easy to assemble as possible.

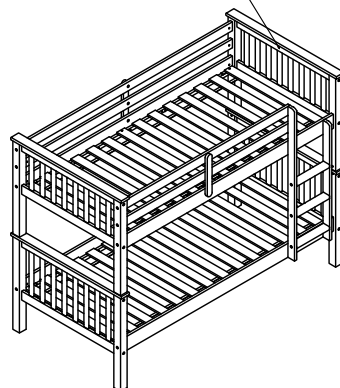
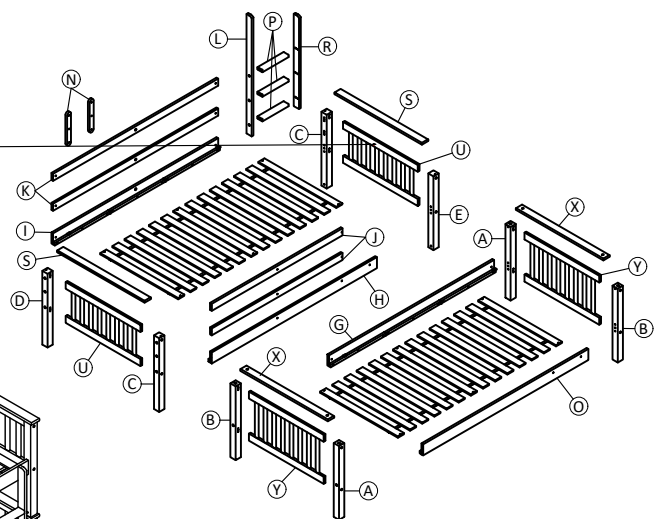
In the unlikely event that you have problems putting it together or have damaged or missing pieces, please contact your supplier.

If for any reason you need to contact your store, please give them Batch No. & Parts No. of the item you have an issue with, this will save time in solving your query.

The Batch No. is a number on the Certification label i.e. AF5001 and can be found on the inside of headboard of the upper bed (part U).

No.	Picture	Description	Q.ty	No.	Picture	Description	Q.ty
1		Ø1/4" x 100mm	14pcs	6		Ø15 x 90mm	4pcs
2		Ø1/4" x 75mm	24pcs	7		Ø1/4" x 50mm	6pcs
3		Ø1/4" x 30mm	12pcs	8		Ø4 x 35mm	8pcs
4		Ø1/4" x 13mm	14pcs	9		Ø4 x 30mm	12pcs
5		Ø8 x 30mm	80pcs	10		Allen key	1pc
				11		Plastic Cap	36pcs

LEO BUNK BED		CERTIFICATION LABEL
Product Code:	AF5001	This bunk bed model has been tested by an independent laboratory and complies with BS EN 747-1:2012 + A1:2015-Standard Consumer Safety Specification For Bunk Beds & High Beds
Distributed by:	LEEDS PLYWOOD & DOORS LTD Midland Road, Leeds, LS10 2RJ	
Factory ID:	AFA-83	
Date of Manufacture:	2021-05-14	
Batch ID:	010083	
WARNING: This upper bunk is not suitable for children under six years.		



BS EN 747-1:2012+A1:2015 SAFETY WARNINGS:

IMPORTANT: READ CAREFULLY RETAIN FOR FUTURE REFERENCE

- **WARNING:** High beds and upper bed of bunk beds are not suitable for children under six years due to the risk of injury from falls.
- **WARNING:** Bunk beds and high beds can present a serious risk of injury from strangulation if not used correctly. Never attach or hang items to any part of the bunk bed that are not designed to be used with the bed, for example, but not limited to, ropes, strings, cords, hooks, belts and bags.
- **WARNING:** Children can become trapped between the bed and the wall, a pitched roof, the ceiling, adjoining pieces of furniture (e.g. cupboards) etc. To avoid risk of serious injury the distance between the top safety barrier and the adjoining structure shall not exceed 75mm or shall be more than 230mm.
- **WARNING:** Do not use the bunk bed bed if any structural part is broken or missing.
- Always follow the manufacturer's instructions.
- Do not horseplay on or under the bed. Always prohibit jumping on the bed.
- Do not allow more than one person on lower or upper bed.
- The recommended size of the mattress is Length 1900 x Width 900mm.
- Ventilation of the room is necessary in order to keep the humidity low and to prevent mold in and around the bed.
- Assembly instructions including a list of the parts supplied and details of any tools required to assemble the bed are included in the pack.
- The maximum thickness of the mattress is 160mm. Mattress maximum thickness marking on the product are found on the post.
- Check regularly that all assembly fastenings are properly tightened.