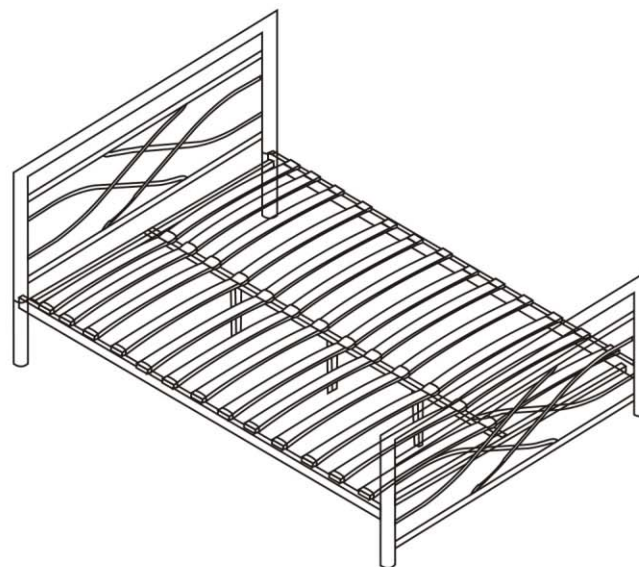


KELLY 4'6" BED



IMPORTANT FOR DOMESTIC USE ONLY PLEASE READ BEFORE YOU CONTINUE FURTHER

THE PRODUCT YOU HAVE PURCHASED WILL GIVE YOU MANY YEARS OF SERVICE IF YOU FOLLOW THE GUIDELINES FOR ITS SAFE ASSEMBLY AND PERIODIC MAINTENANCE AND CLEANING.

DO NOT USE ANY TOOLS OTHER THAN THOSE SHOWN.

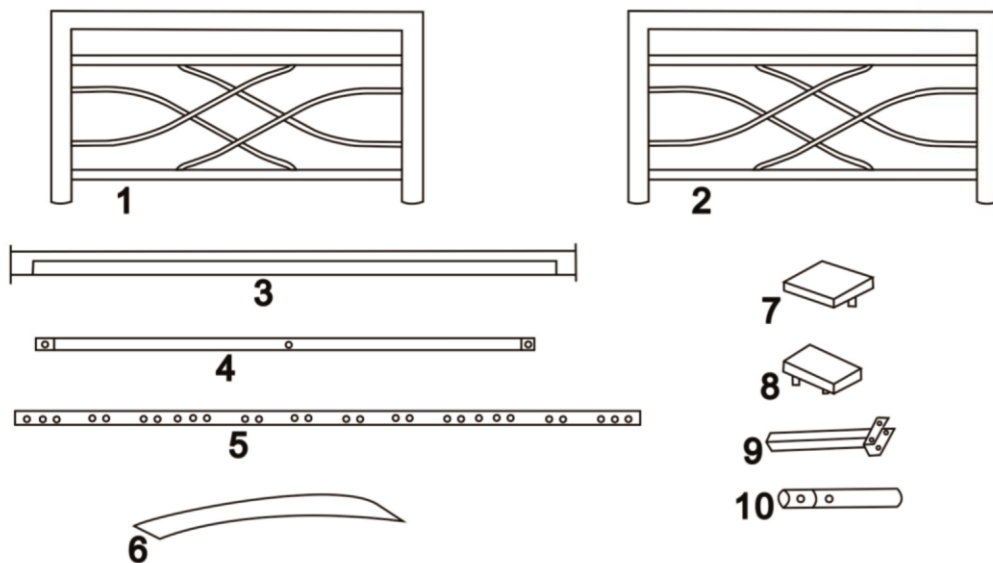
ANY SPANNERS OR ALLEN KEYS REQUIRED ARE INCLUDED WITH THE FITTINGS KIT.

DO NOT FOR ANY REASON USE A POWER TOOL TO ASSEMBLE THIS PRODUCT. ITS USE WILL INVALIDATE ANY CLAIM YOU MAY HAVE AND COULD MAKE THIS PRODUCT UNSAFE.

DEPENDING ON THE AMOUNT OF USE THIS PRODUCT RECEIVES IT MAY BE NECESSARY TO TIGHTEN UP THE FIXINGS FROM TIME TO TIME THIS IS COMPLETELY NORMAL FOR ANY FLAT PACK FURNITURE.

FOR CLEANING, YOU MAY USE A DAMP CLOTH (NOT WET) DO NOT USE POLISH, DETERGENT OR CHEMICAL CLEANERS.

PARTS LIST



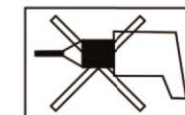
1	HEADBOARD	1
2	FOOTBOARD	1
3	SIDERAIL	2
4	CROSSBAR	2
5	CENTRE RAIL	1
6	WOODEN SLAT	26
7	CENTRE SLAT CAP	13
8	SLAT CAP	26
9	SUPPORT LEG	3
10	LEG EXTENSION	2

HARDWARE LIST

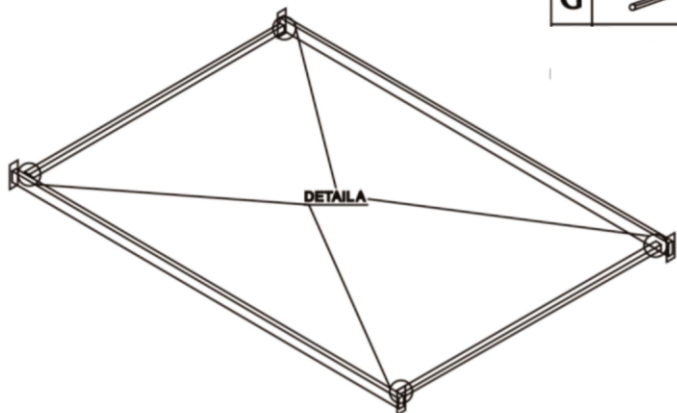
A		M6x15mm Bolts	10pcs
B		M6x45mm Bolts	4pcs
C		M6x38mm Bolts	6pcs
D		M6 Insert Nuts	4pcs
E		Nut	6pcs
F		Φ20*T1.5 WASHER	4pcs
G		M4 Allen Key	2pcs
H		M4 Spanner	1pc

PLEASE CHECK THAT YOU HAVE ALL THE PARTS LISTED BEFORE YOU START ASSEMBLING, IF YOU DO FIND THAT SOMETHING IS MISSING, DO NOT CONTINUE ASSEMBLY. PLEASE CONTACT YOUR SUPPLIER IMMEDIATELY.

THE USE OF POWER TOOLS TO ASSEMBLE THIS PRUDUCT WILL INVALIDATE ANY CLAIM AND MAY DAMAGE THIS PRODUCT MAKING IT UNSAFE

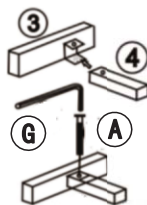


STEP-1



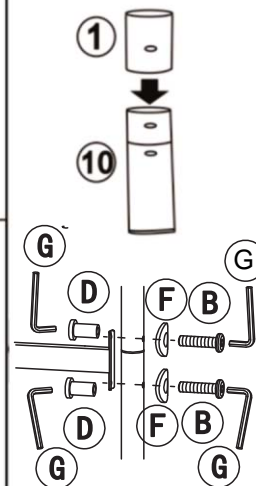
A		M6x15mm Bolts	4pcs
G		M4 Allen Key	1pc

DETAIL A

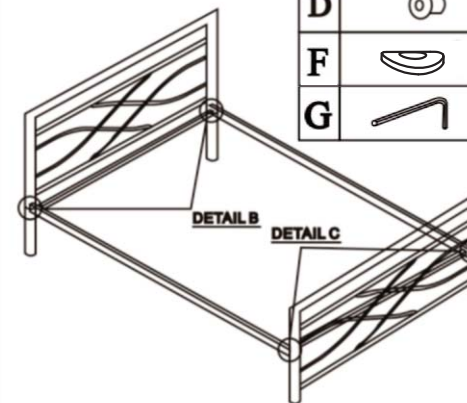


STEP-2

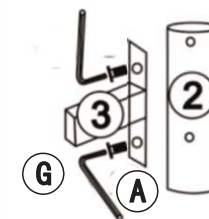
DETAIL B



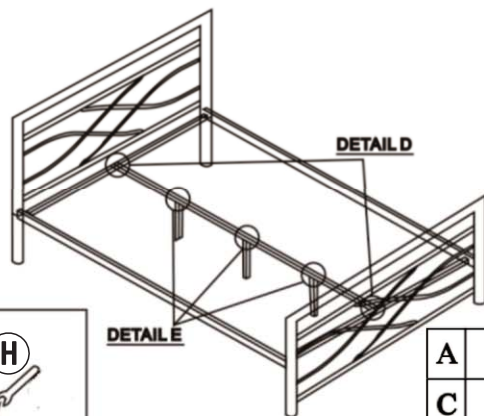
A		M6x15mm Bolts	4pcs
B		M6x45mm Bolts	4pcs
D		M6 Insert Nuts	4pcs
F		Φ20*T1.5 WASHER	2pcs
G		M4 Allen Key	2pcs



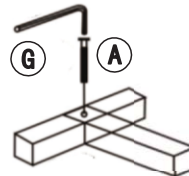
DETAIL C



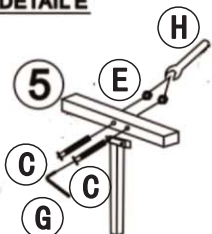
STEP-3



DETAIL D

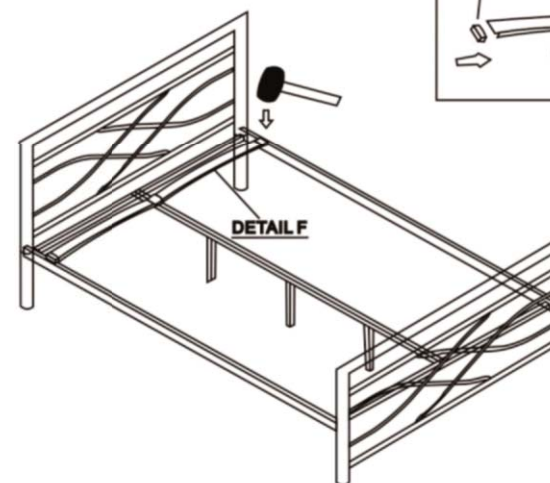


DETAIL E

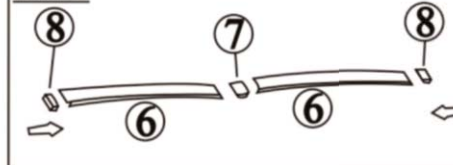


A		M6x15mm Bolts	2pcs
C		M6x38mm Bolts	6pcs
E		Nut	6pcs
G		M4 Allen Key	1pc
H		M4 Spanner	1pc

STEP-4



DETAIL F



THE USE OF POWER TOOLS TO ASSEMBLE THIS PRUDUCT WILL INVALIDATE ANY CLAIM AND MAY DAMAGE THIS PRODUCT MAKING IT UNSAFE

