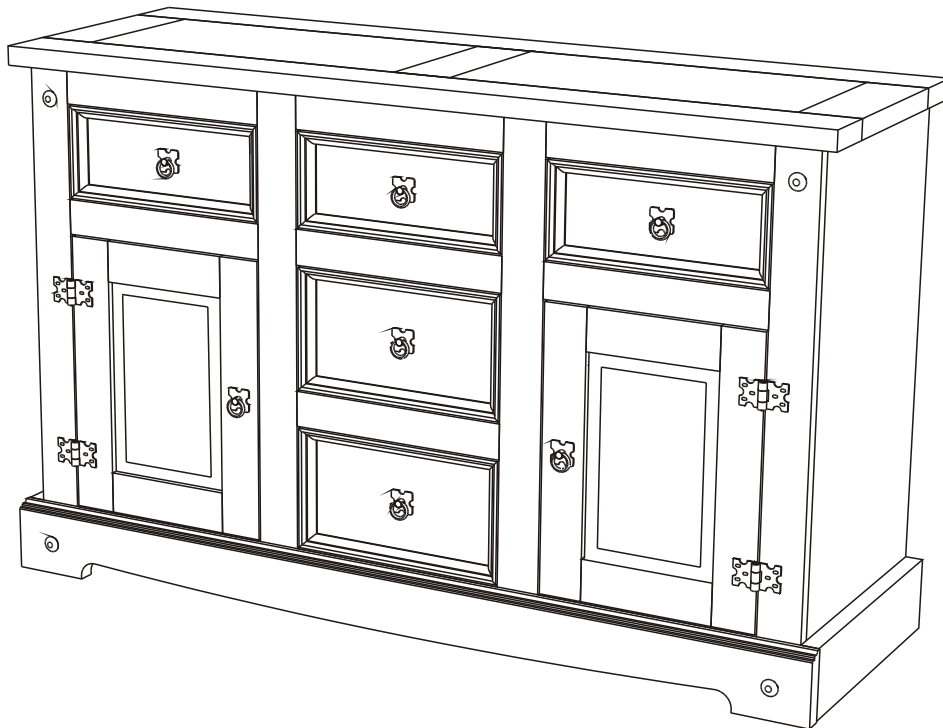


Corona 2 Door 5 Drawer Sideboard

ASSEMBLY INSTRUCTIONS



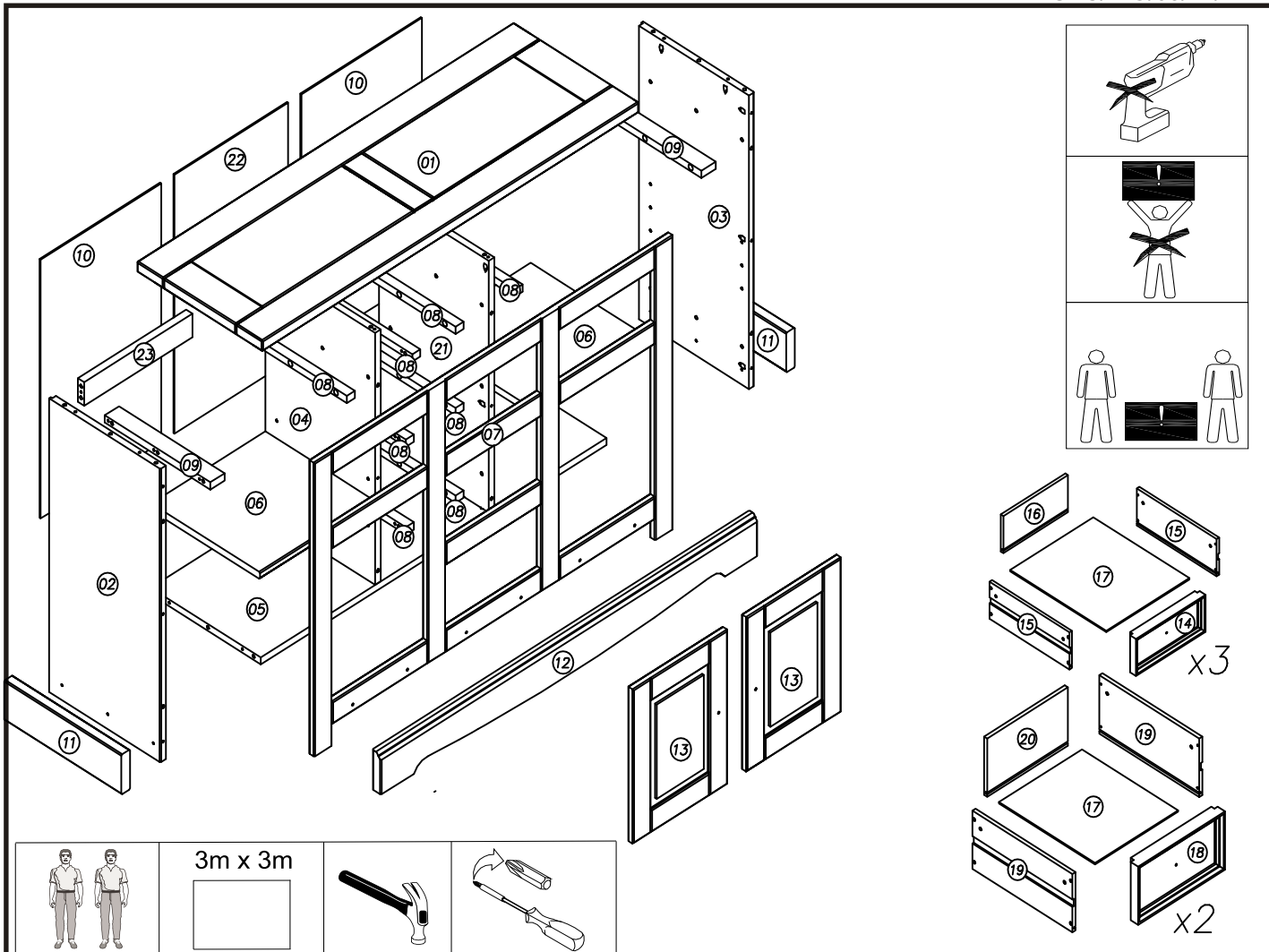
FOR DOMESTIC USE ONLY IMPORTANT

PLEASE READ BEFORE YOU CONTINUE FURTHER

CARE AND MAINTENANCE

After unpacking this product please keep the original packaging in case it needs to be returned for any reason.

- Please ensure all fittings and parts are present before commencing with assembly.
- We recommend that you lay a blanket or sheet on the floor to avoid damage to both your floor and the product.
- We strongly recommend that you keep children away from your work area.
- Assemble this product as close to its final position as possible.
- Never drag or push products as this could cause damage to the joints making it inferior.
- Do not place this product next to a radiator or in direct sunlight.
- Wood is a natural product and may expand if subjected to damp and may shrink or crack if subjected to heat. Therefore it is recommended that room temperature is maintained, with no sudden temperature fluctuations.
- Make sure any spillage is wiped off immediately.
- Do not place hot or chilled items directly on to the surface, use a place mat or marking will occur.
- For general cleaning use a duster, and do not use detergents of any kind. However, the surface will need to be retreated from time to time. This can be done by using block wax (unperfumed) and rubbing it over the whole item.
- From time to time it may be necessary to tighten fittings, regular inspections should be carried out.



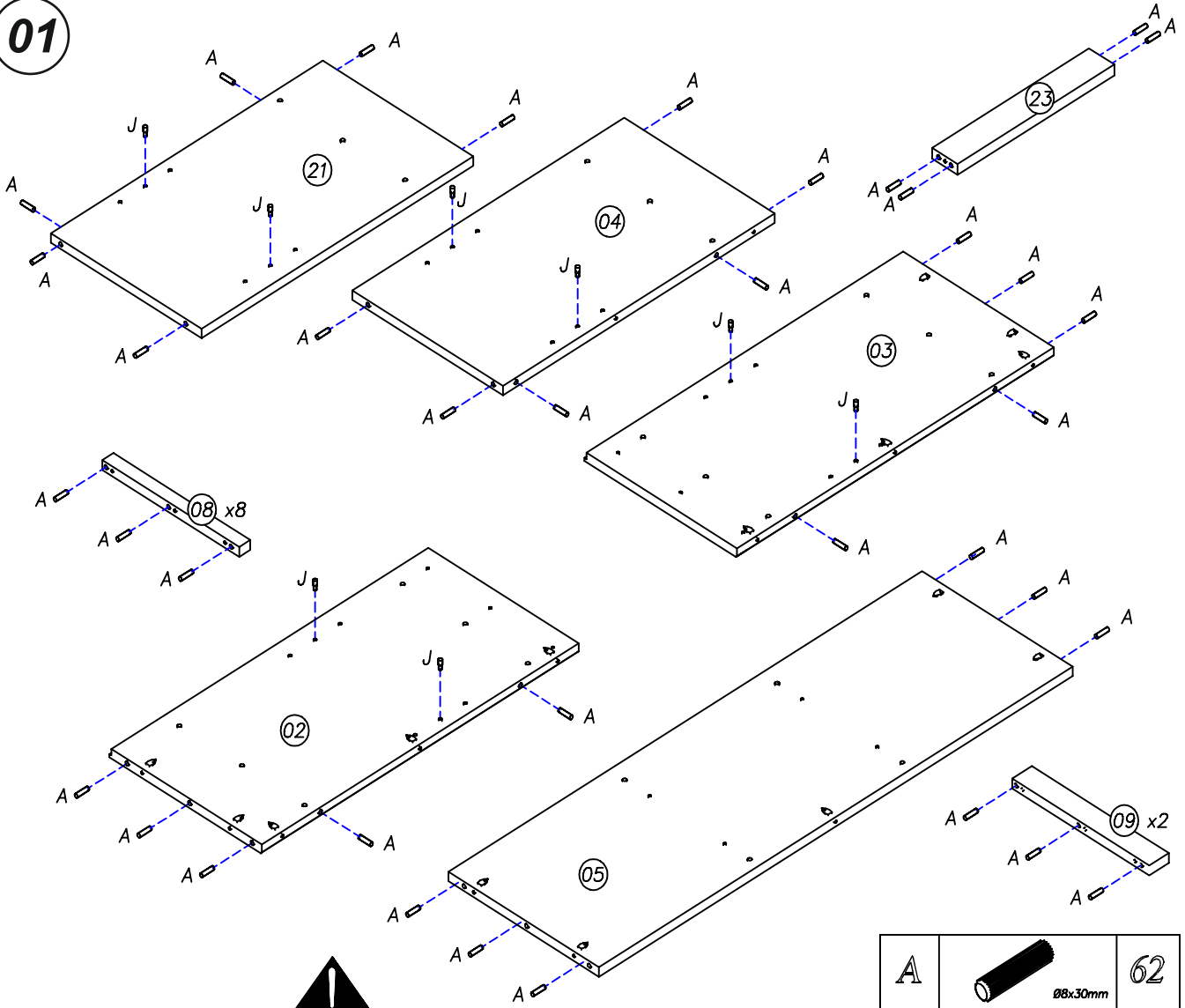
PARTS LIST

01	Top	01	09	Large Drawer Runner	02	17	Drawer Bottom	05
02	Left Side Panel	01	10	Back Panel	02	18	Large Drawer Front	02
03	Right Side Panel	01	11	Side Plinth	02	19	Large Drawer Side	04
04	Left Centre Panel	01	12	Front Plinth	01	20	Large Drawer Back	02
05	Base	01	13	Door	02	21	Right Centre Panel	01
06	Shelf	02	14	Small Drawer Front	03	22	Back Panel	01
07	Front Frame	01	15	Small Drawer Side	06	23	Back Crossrail	01
08	Small Drawer Runner	08	16	Small Drawer Back	03			



FITTINGS

A		72	F		4	K		2
B		10	G		7	L		2
C		29	H		7	M		32
D		32	I		48	N		40
E		4	J		8	O		1

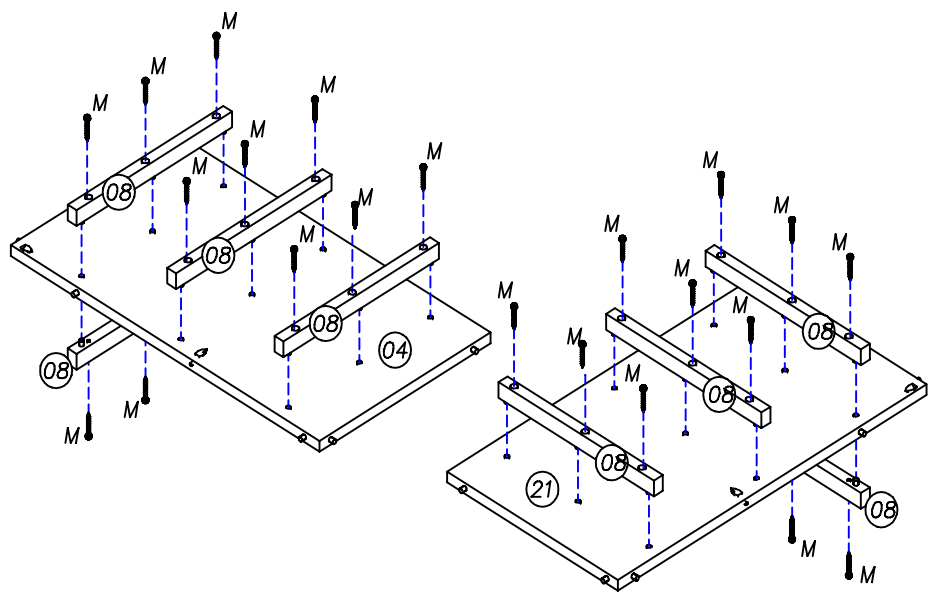
01




Please assemble on a clean soft surface to avoid damage.

A	 Ø8x30mm	62
J		08

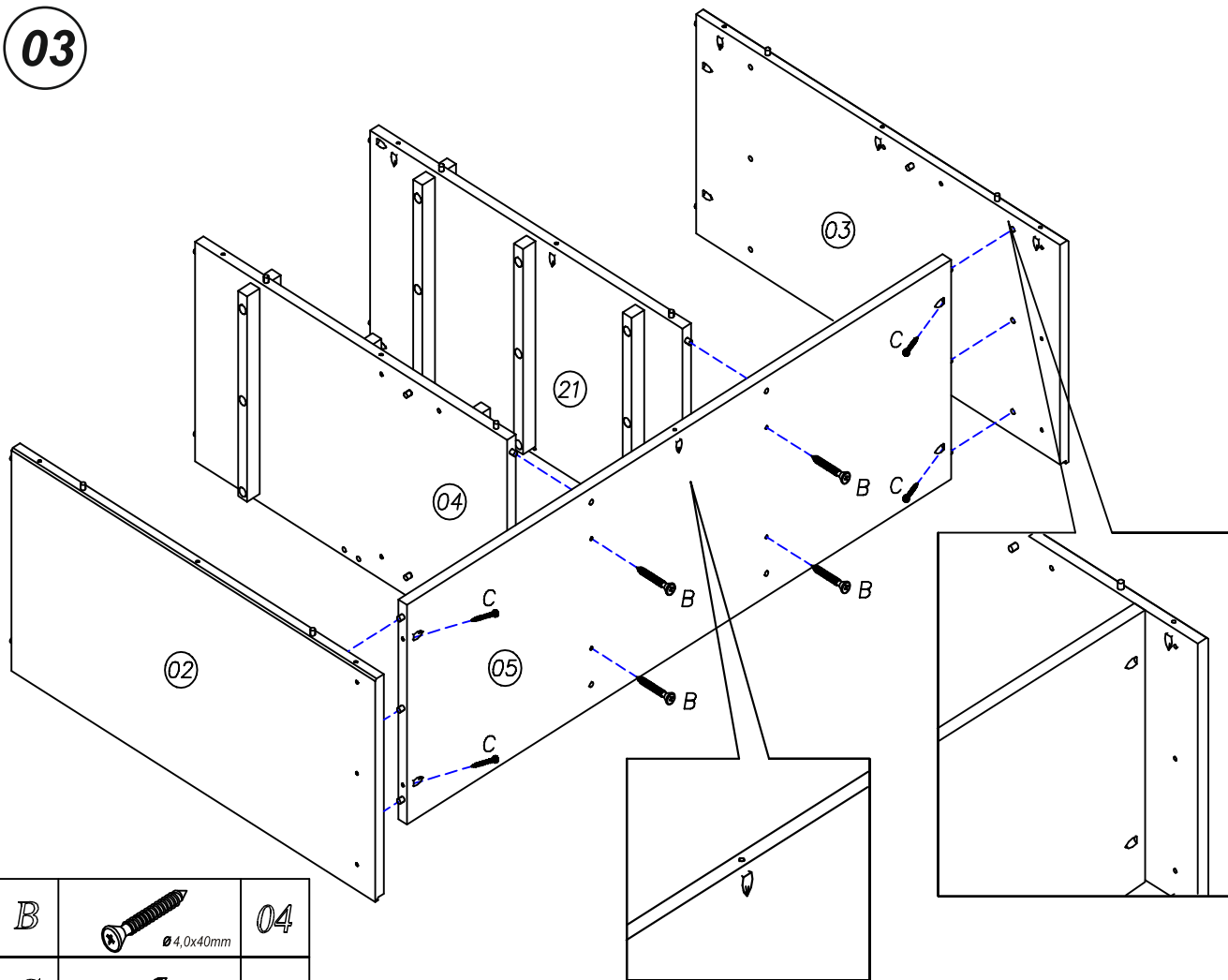
02





Please assemble on a clean soft surface to avoid damage.

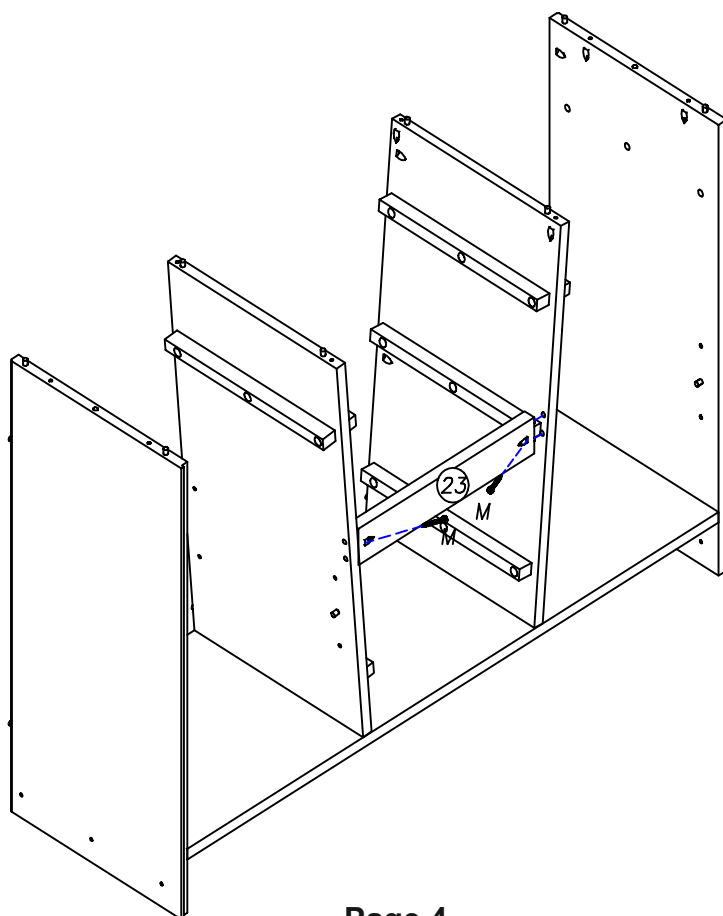
M	 Ø4,0x30mm	24
---	--	----

03



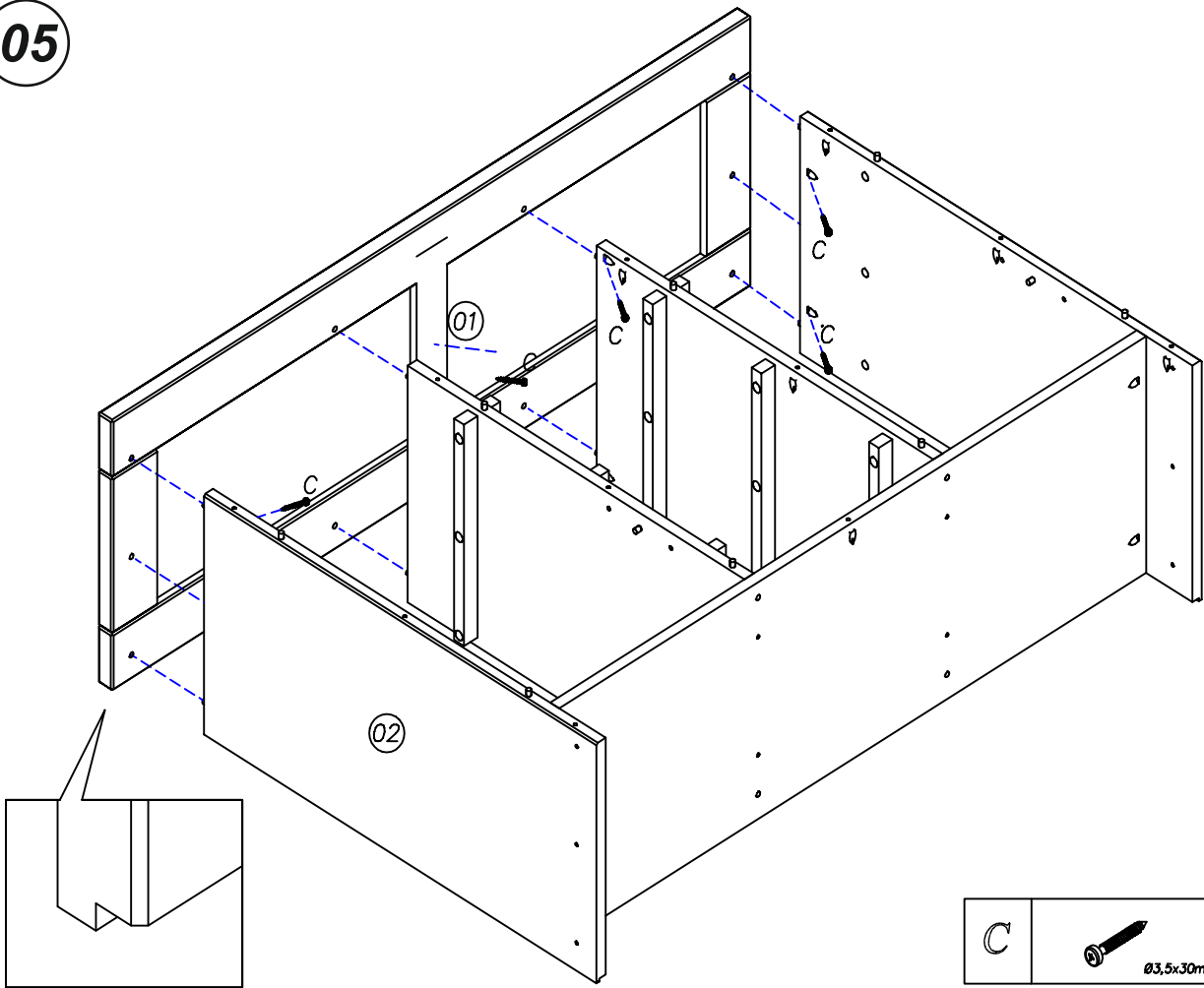
B		04
C		04

04



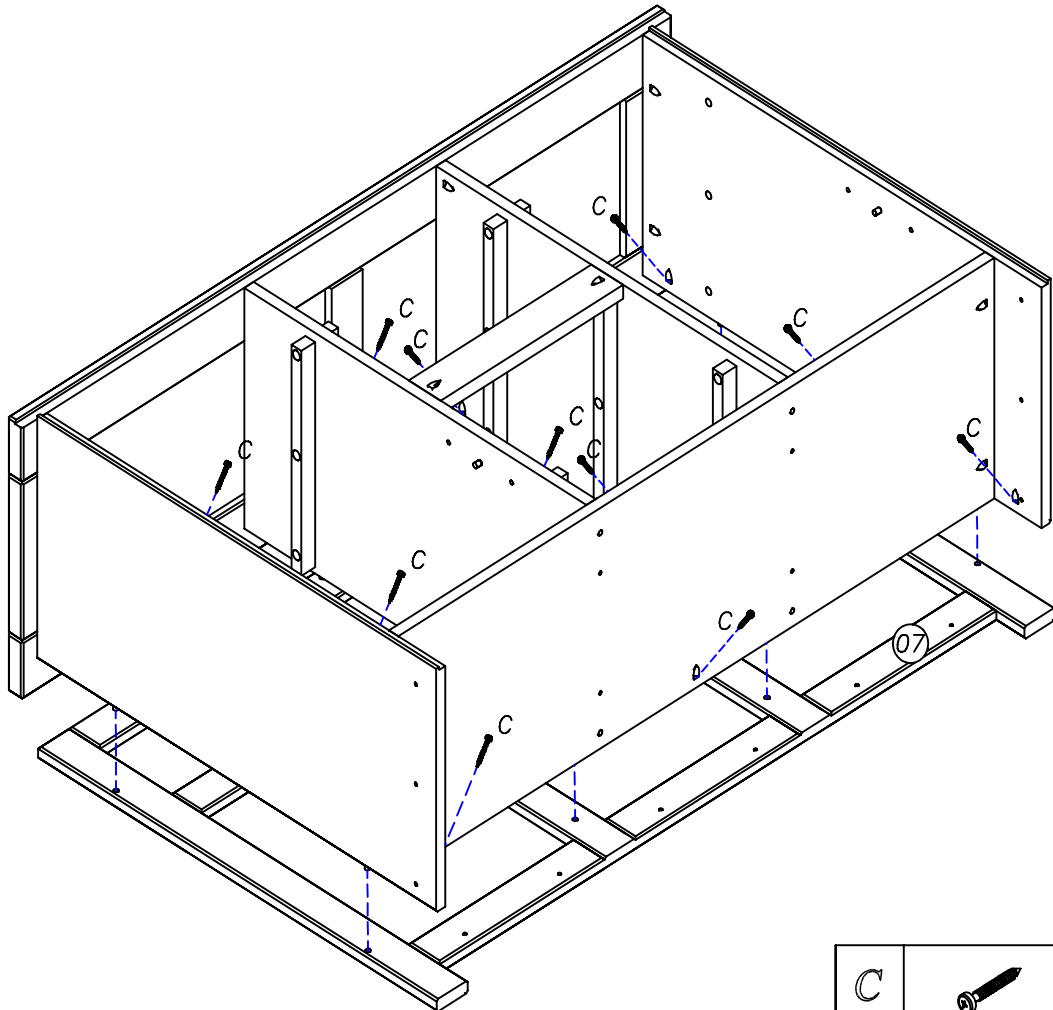
M		02
---	---	----

05



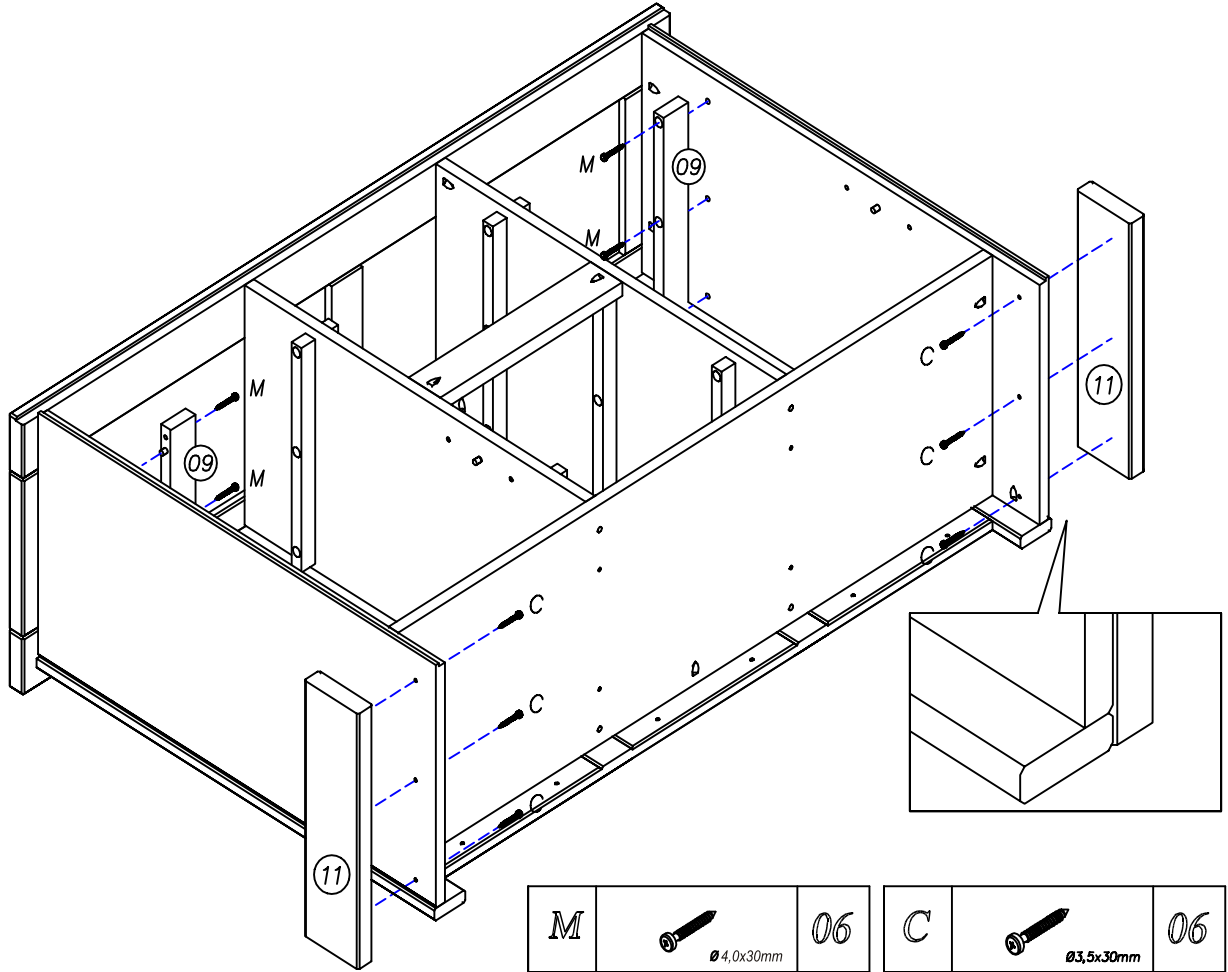
C	 Ø3,5x30mm	08
---	---	----

06

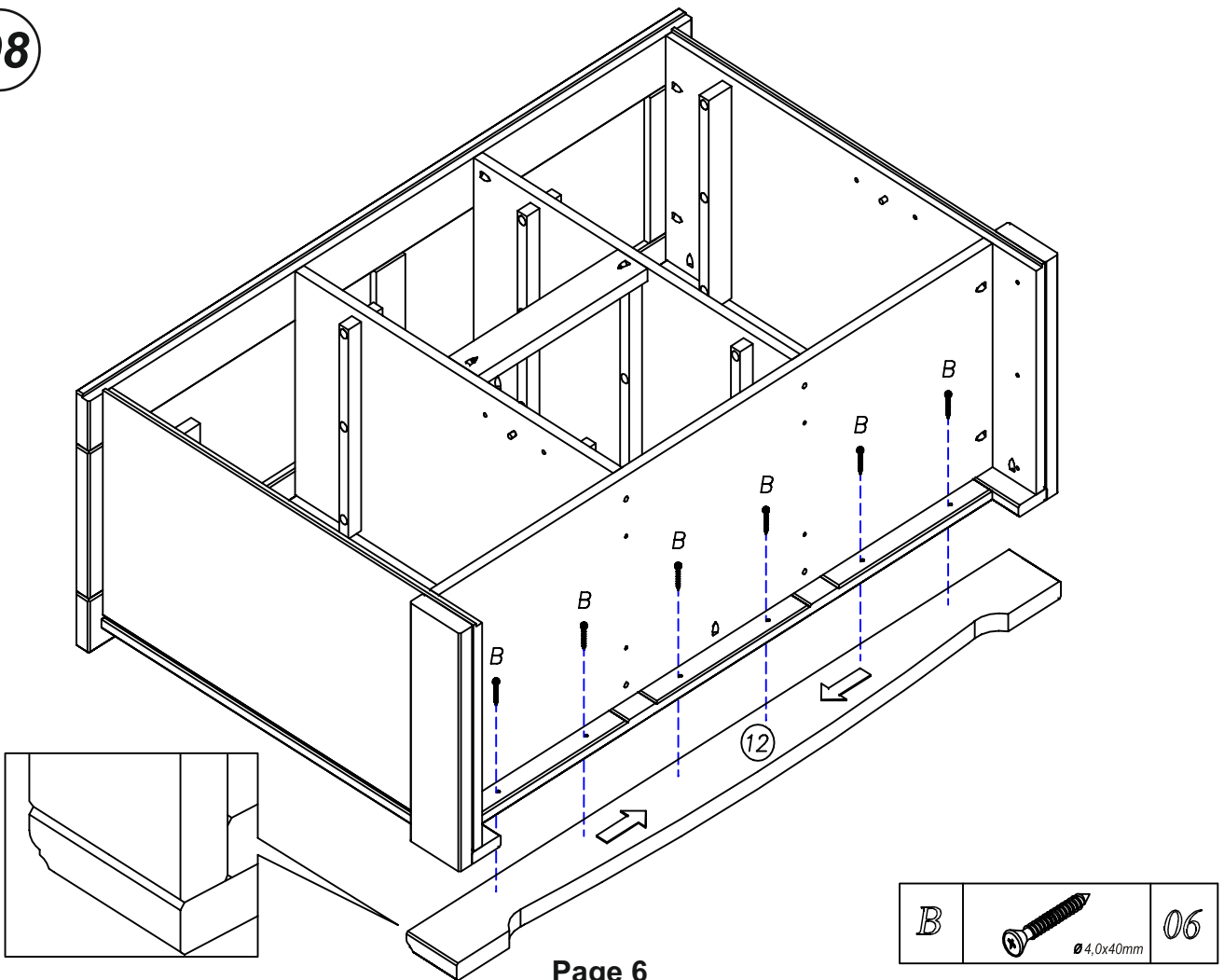


C	 Ø3,5x30mm	11
---	---	----

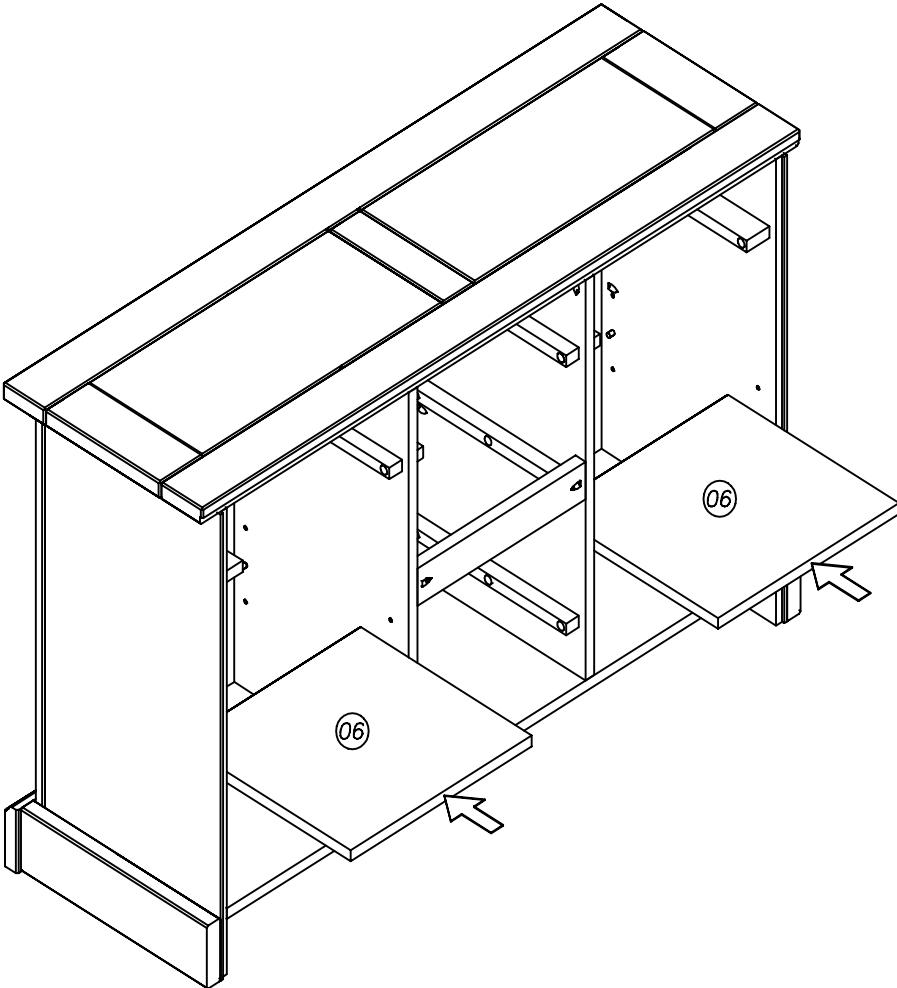
07



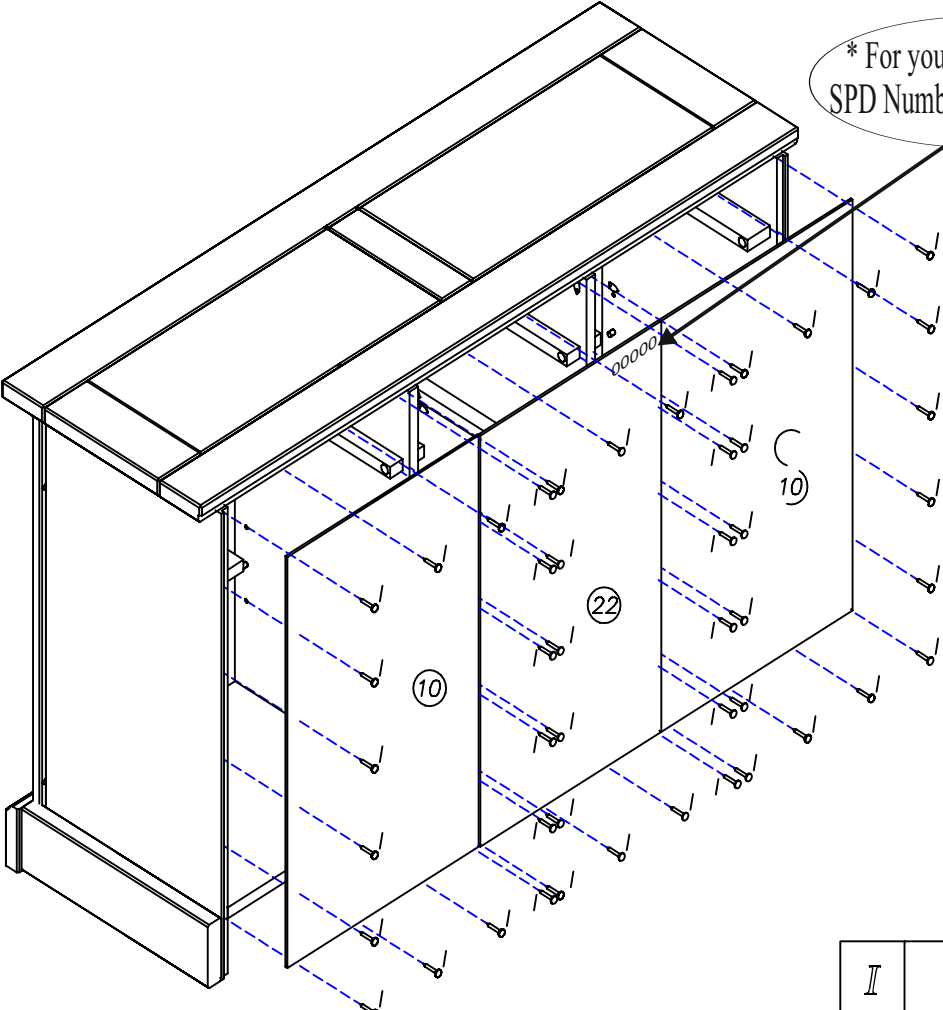
08



09

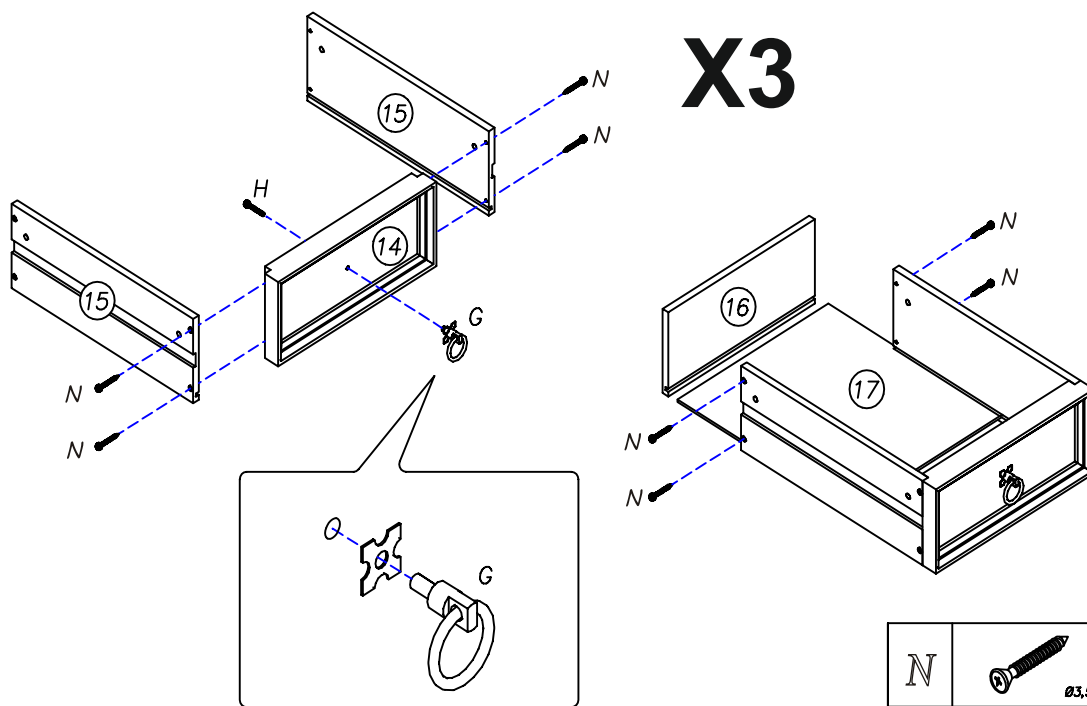


10

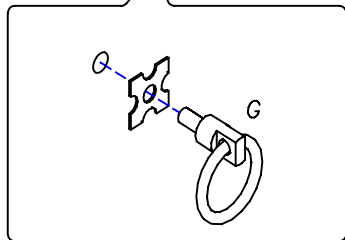


I	 10x10	48
---	--	----




11



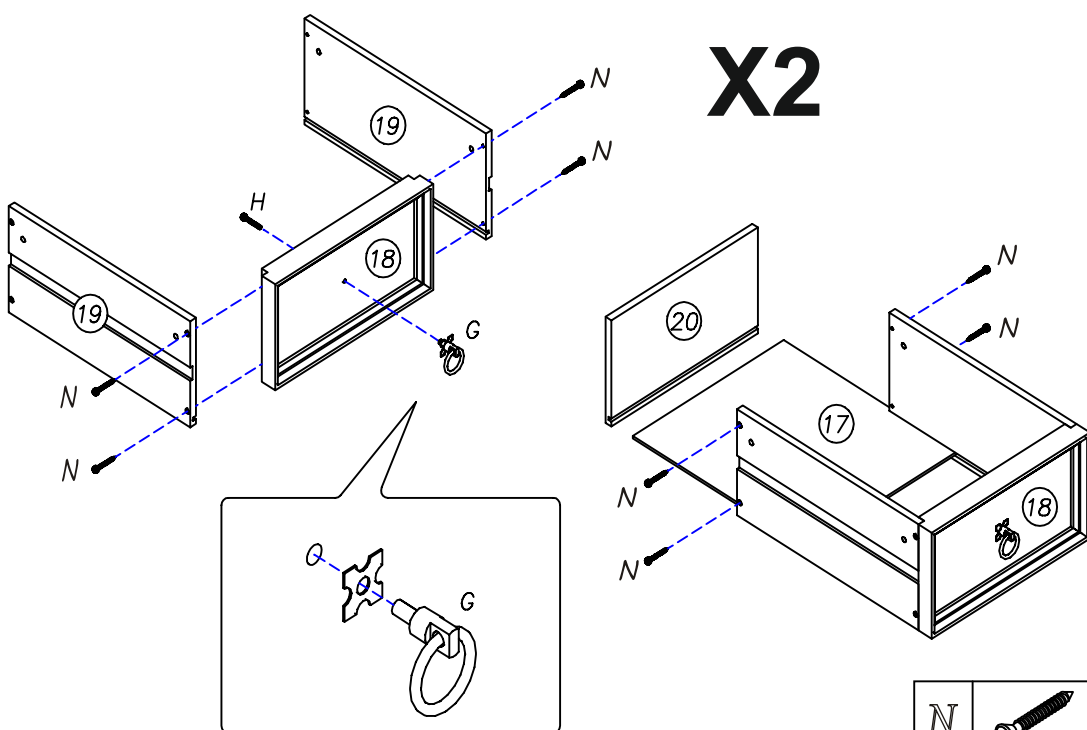
X3



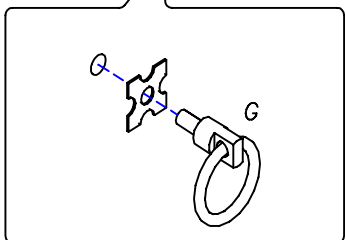
Please assemble on a clean soft surface to avoid damage.

N	 $\varnothing 3,5 \times 30 \text{mm}$	24
G		03
H	 $3/16" \times 3/4"$	03




12



X2

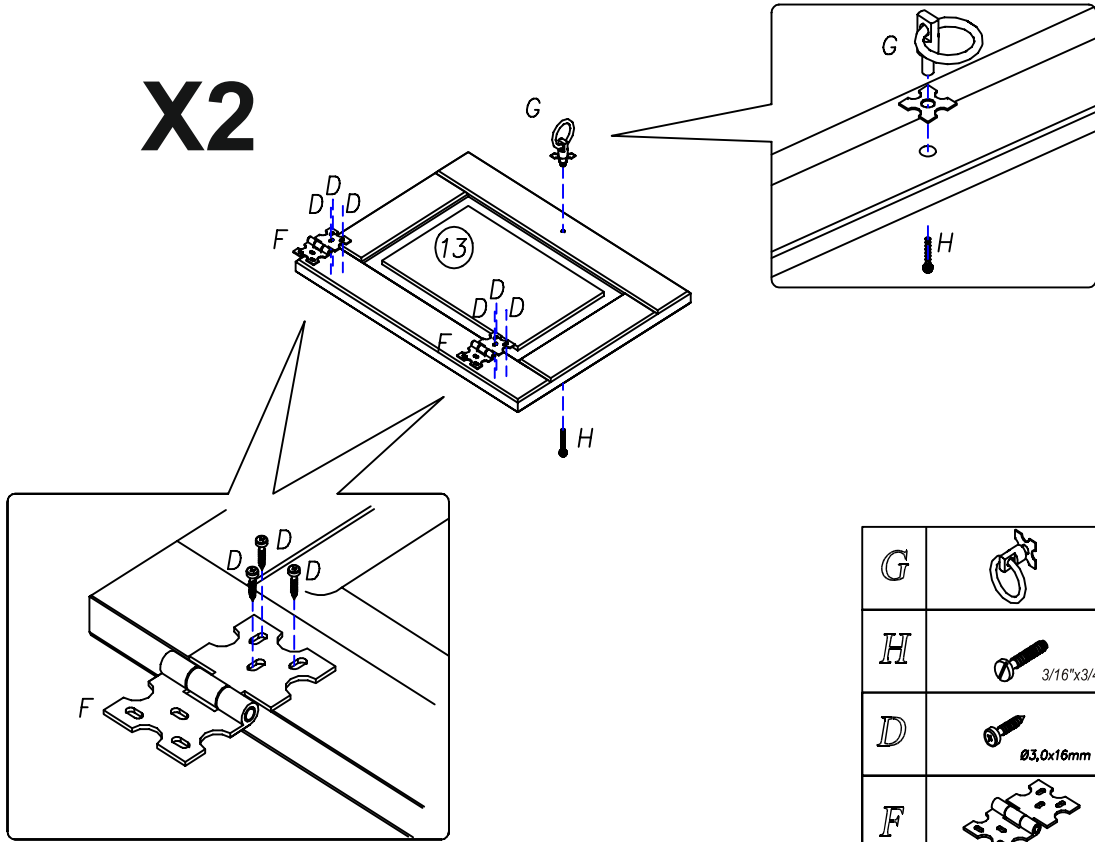


Please assemble on a clean soft surface to avoid damage.

N	 $\varnothing 3,5 \times 30 \text{mm}$	16
G		02
H	 $3/16" \times 3/4"$	02

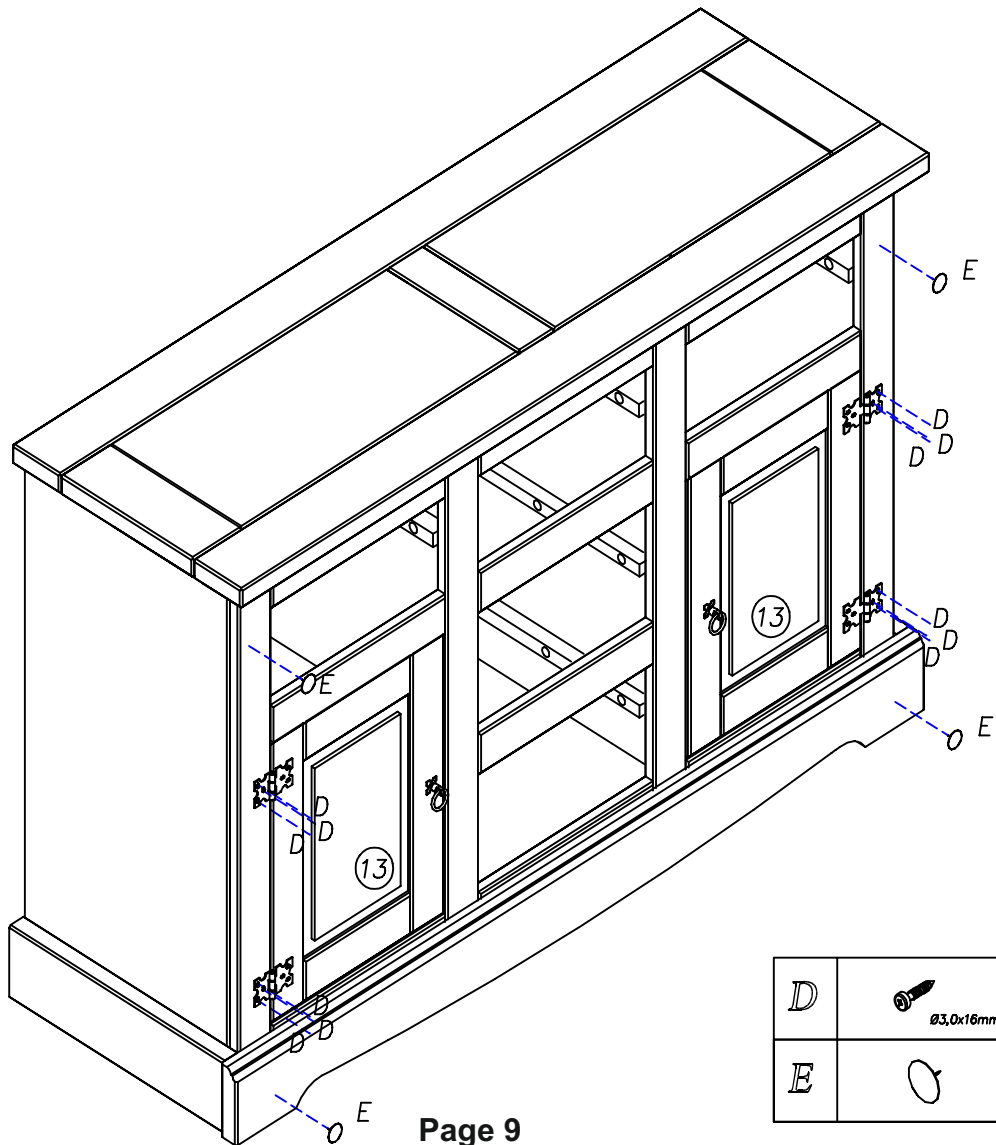
13

X2



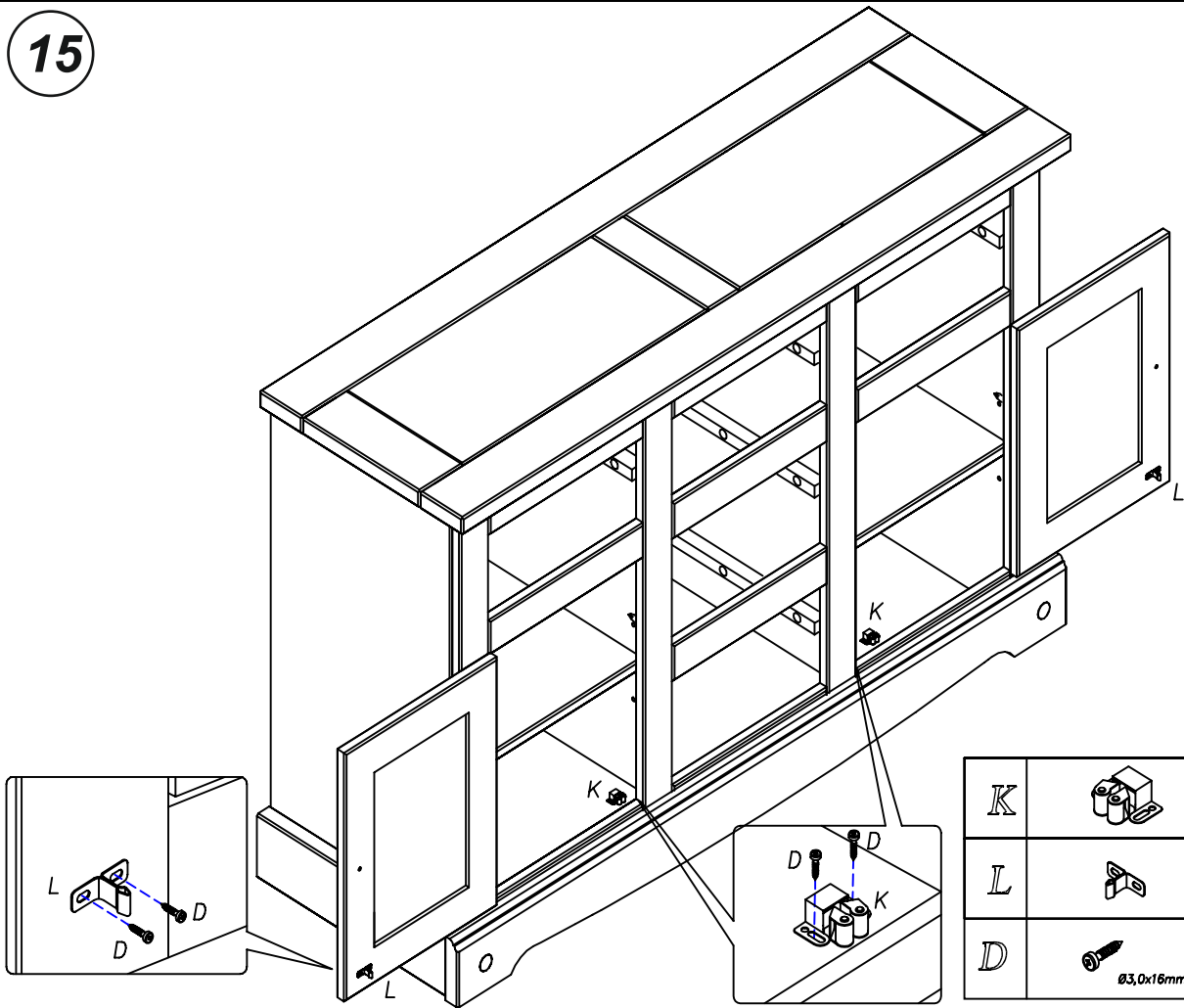
G		02
H		02
D		12
F		04

14



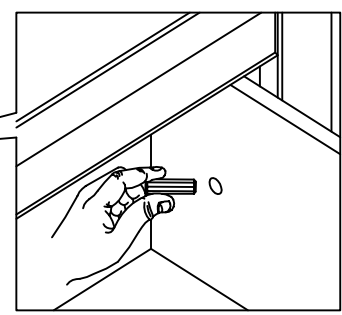
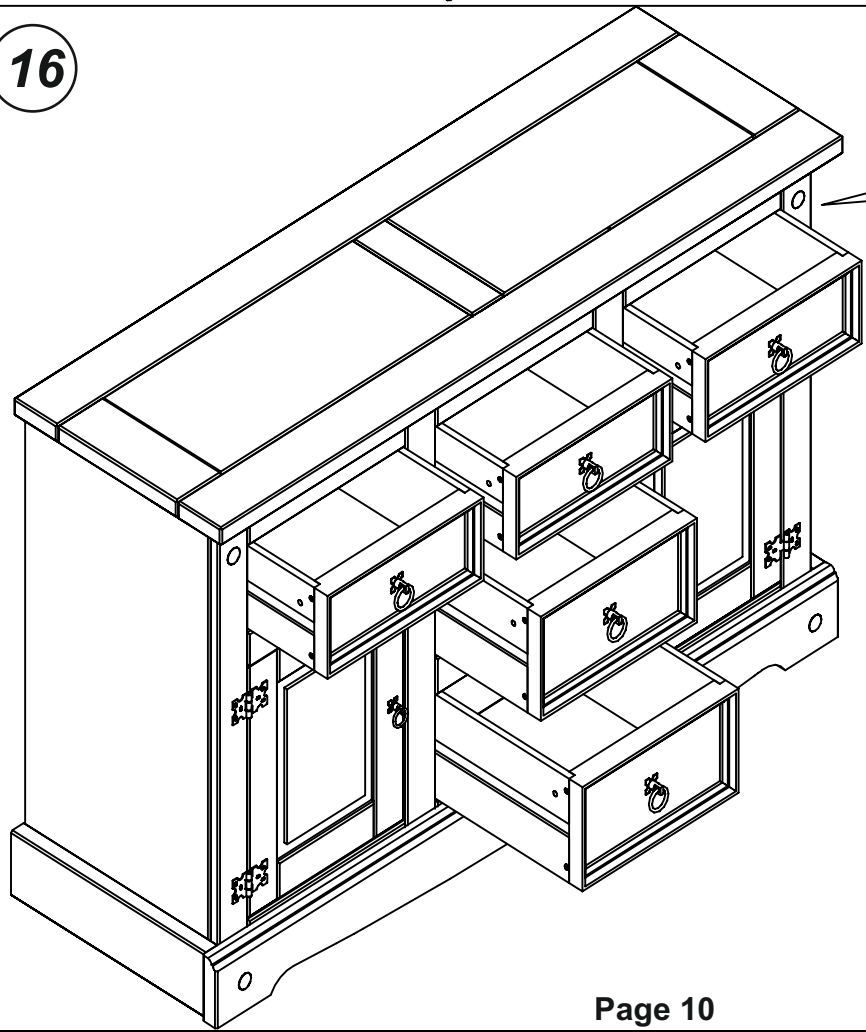
D		12
E		04

15



K		02
L		02
D		08 Ø3,0x16mm

16



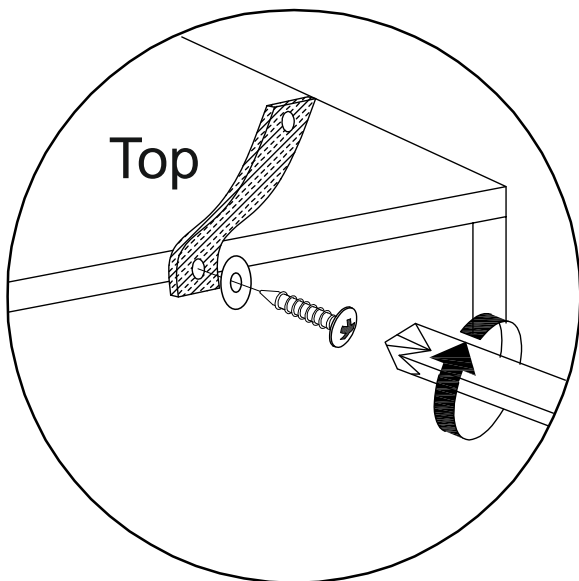
A		10 Ø8x30mm
---	--	---------------

WARNING

Serious or fatal injuries can occur from furniture tipping over. To prevent the furniture from tipping over we recommend that it is permanently fixed to the wall.

Wall fixings are not supplied with this product as different wall materials require different types of fixing devices.

Please make sure you use fixings suitable for the walls in your home.



I - HARDWARE LIST



Strap (Anti-Tip Kit)
(1x)



Wood Screw (Anti-Tip Kit)
3,5 x 25mm (1x)



Washer (Anti-Tip Kit)
(2x)

