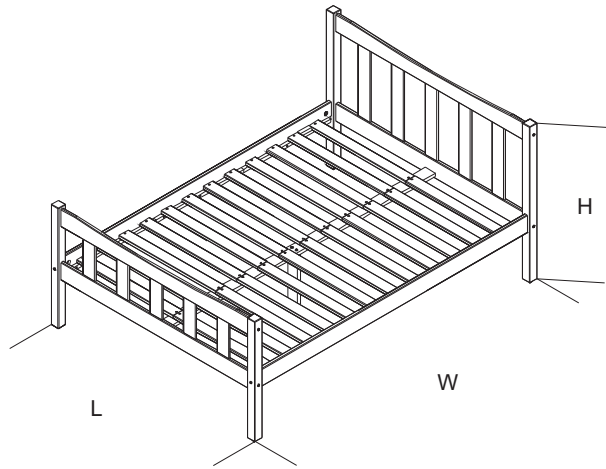


# Assembly Instructions: Havana 4'6 Bed With Slats: October, 2023 - IA14639



Assembled Dimensions

L Length: 1448mm

W Width: 2008mm

H Head Height: 960mm

PLEASE NOTE : CHECK ALL PARTS BEFORE ASSEMBLING  
ONCE ASSEMBLED THIS ITEM CANNOT BE RETURNED UNDER THE APPROVAL GUARANTEE  
THIS PRODUCT IS BUILT VERTICALLY - PLEASE BUILD WHERE IT WILL BE USED.

### Follow Me

- FIRST: Check that the assembled product size will fit in its required location. Take into account ceiling height clearance & door frame widths, if the unit is not being assembled close to its final location
- SECOND : Check that you have enough floor area to complete the assembly
- THIRD: Retain your packaging until you have checked that ALL the parts are in the packs.
- FOURTH :Sort out the parts and fittings as shown, assemble product step by step
- It is preferable to rest the product on a soft surface to avoid damage during assembly
- Do not over tighten screws and fittings.
- Re-Tighten all screws and fitting periodically

### Guide Me

Multi-Pack Table  
COMPONENT Pack NO

BOX: 1/2

- LEGS
- SIDERAIL
- CENTER RAIL
- CENTRAL FOOT

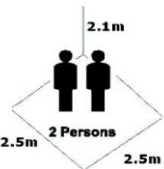
BOX: 2/2

- HIGHER CROSSBEAM FOOTBOARD / HEADBOARD
- LOW CROSSBEAM FOOTBOARD / HEADBOARD
- CROSSBEAM FOOTBOARD
- CROSSBEAM HEADBOARD
- SLATS
- FITTINGS
- ASSEMBLY INSTRUCTION

Replacement packs cannot be provided without Component pack number and the part number / description

### Show Me

No of People  
to Assemble



Approx Assembly  
Time



Preparation  
Flor Space 2.5 x 2.5m  
Height 2.1m

### TOOLS REQUIRED

Tape Measure

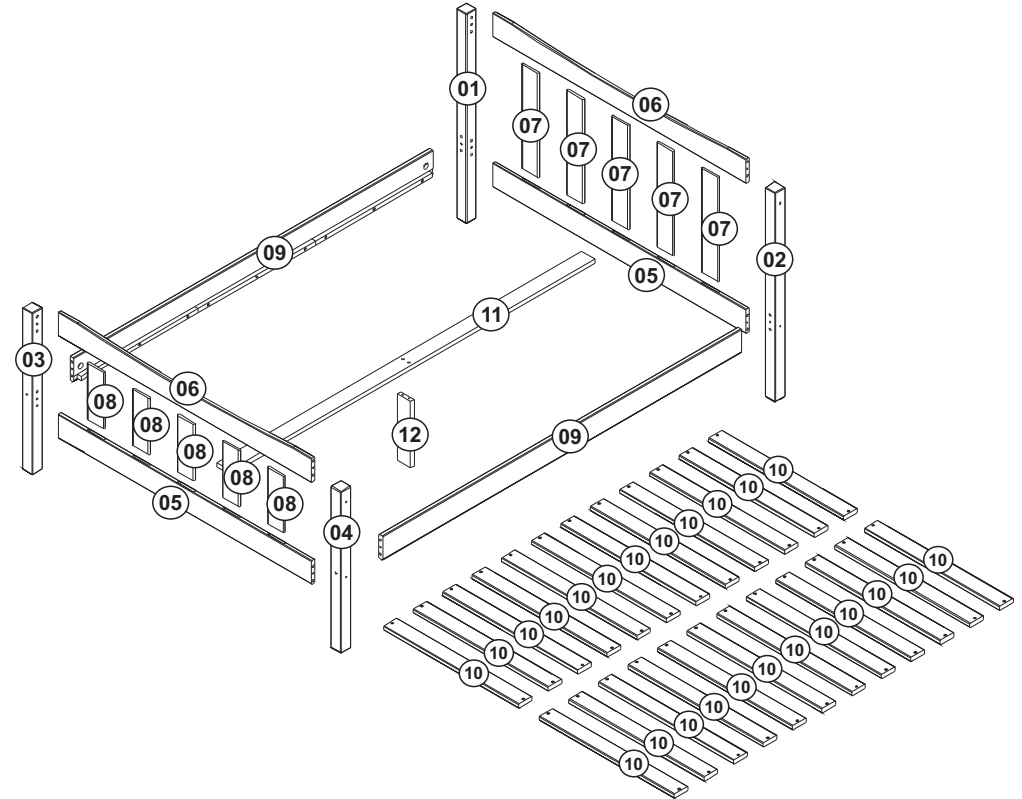


Pozi No 2



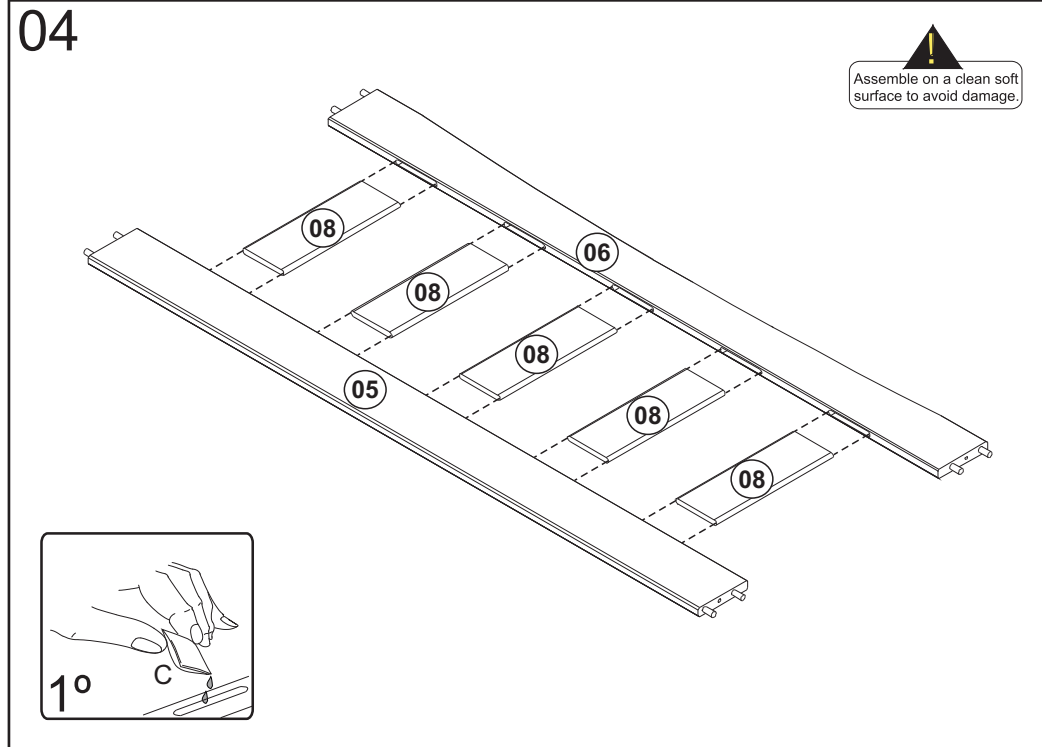
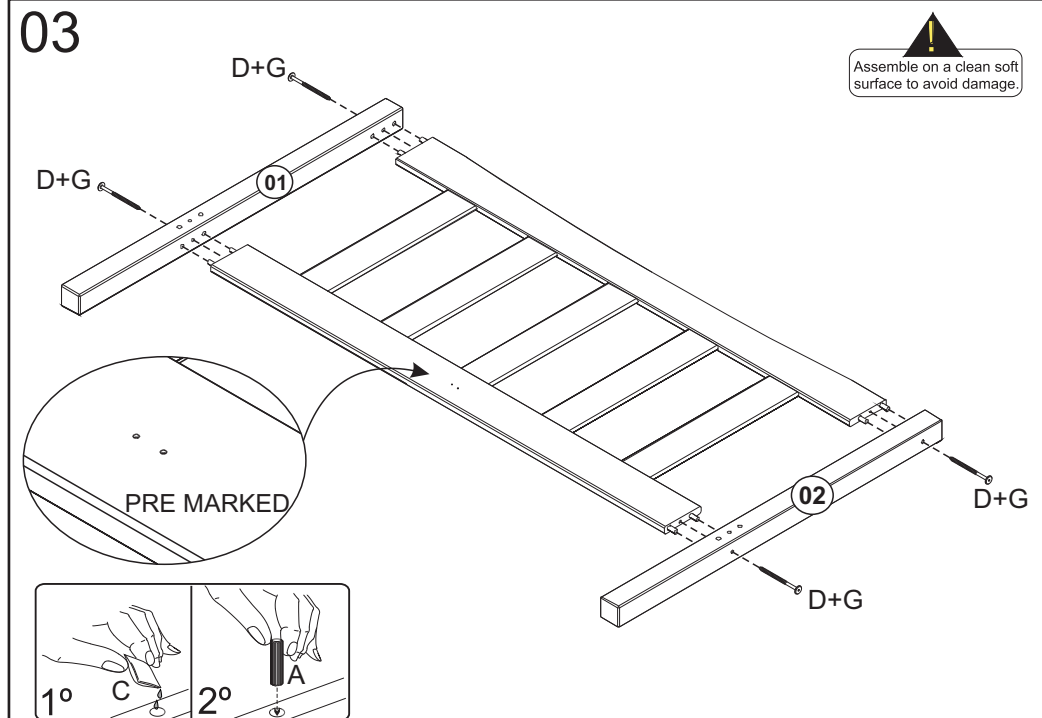
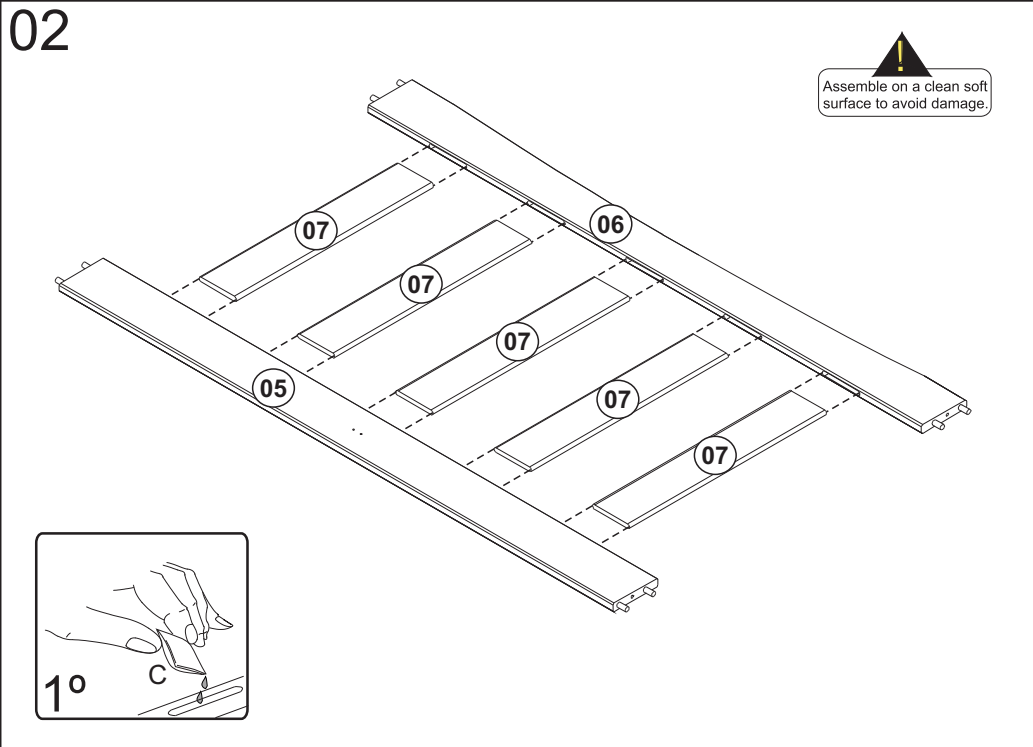
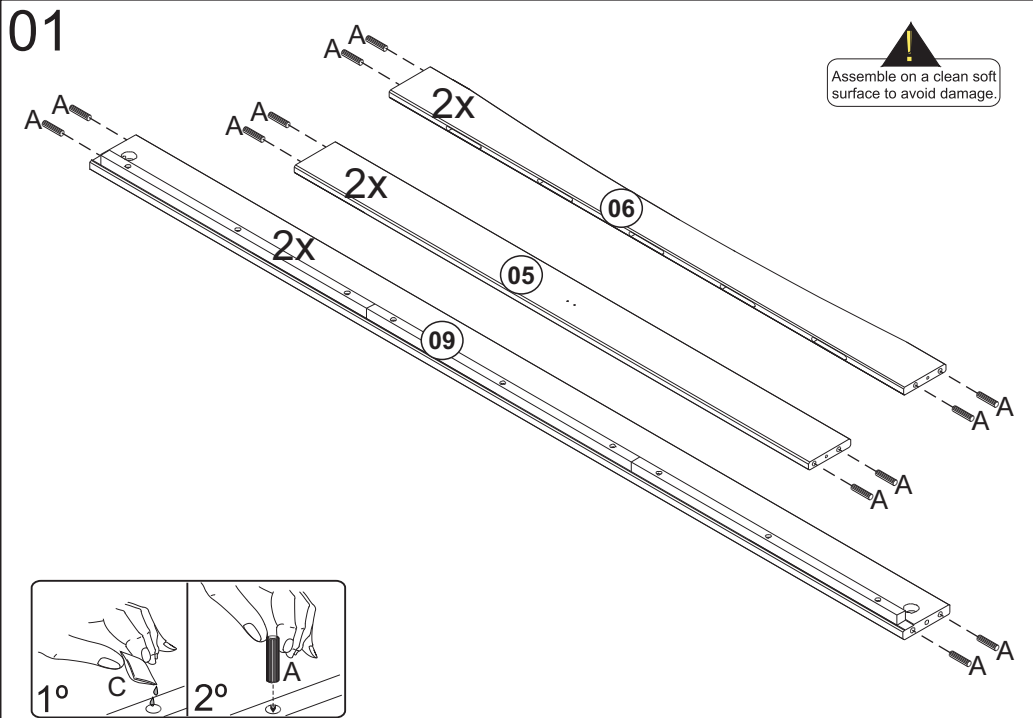
Recycling- the packaging materials for this product may be recycled through your local recycling centre. When you want to dispose of the product itself, please consider donating it to a local charitable organization, otherwise recycle it through your local recycling centre.

If the room you plan to use your new bed in has a laminate or wood floor, we highly recommend you purchase some anti-skid pads to fit to the underside of the feet of the bed. Floors of this nature offer no grip, which over a small period of time can result in the bed fittings & components coming loose or breaking altogether due to them slowly slipping on the floor. These grips will also protect your floor from any marking that may be caused by your furniture slipping in this manner. These pads can be bought from most good DIY shops or superstores and are relatively inexpensive.

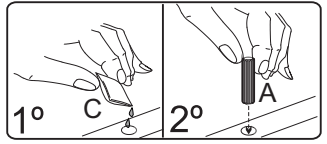
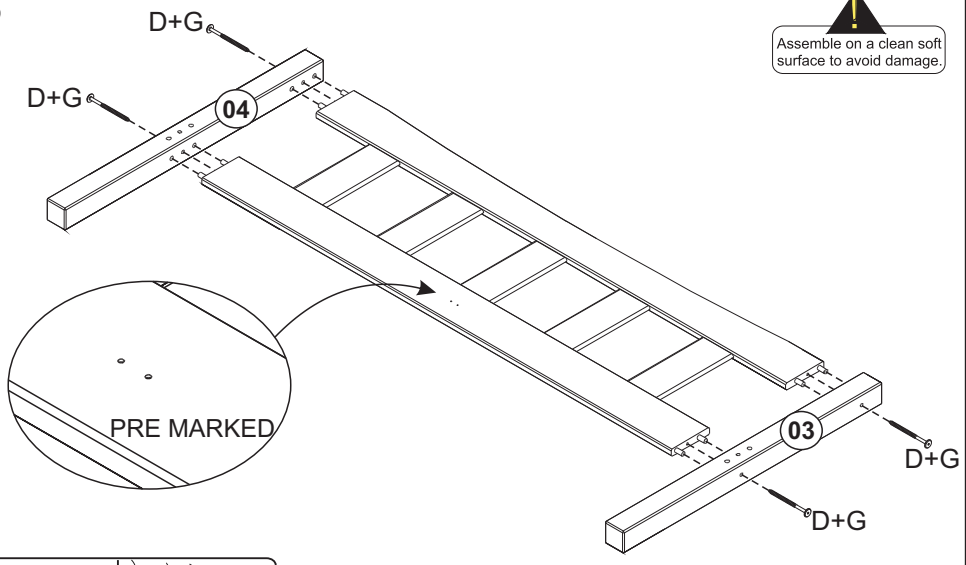


A		24
B		48
C		02
D		08
E		04
F		04

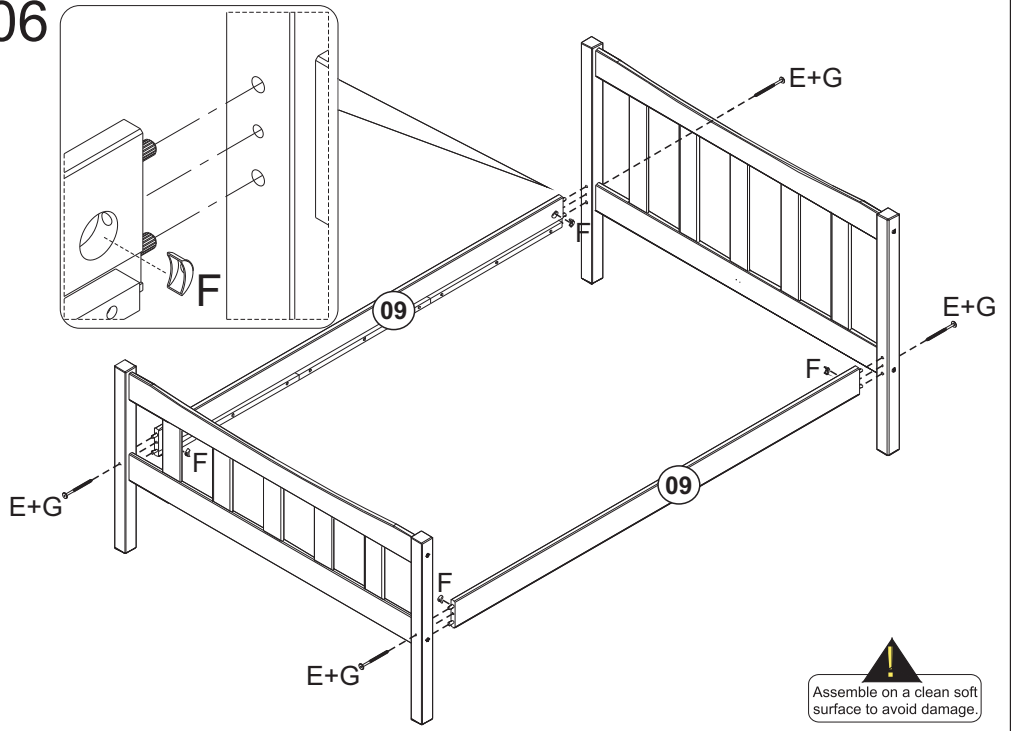
G		01
H		02
I		02
J		08
K		02



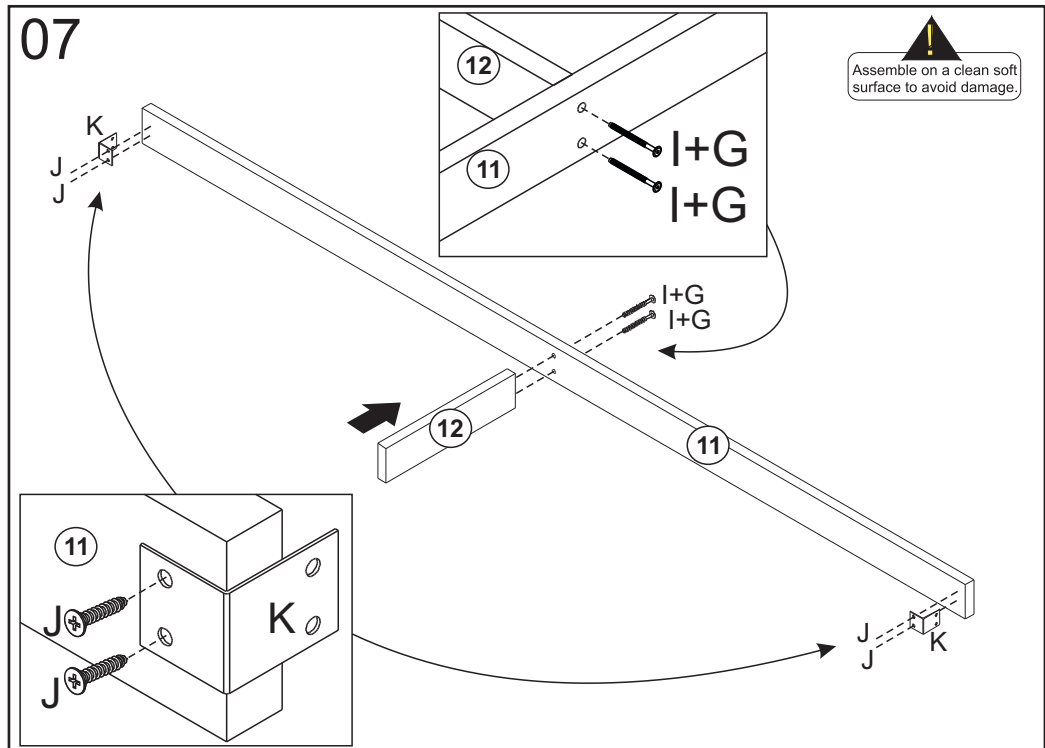
05



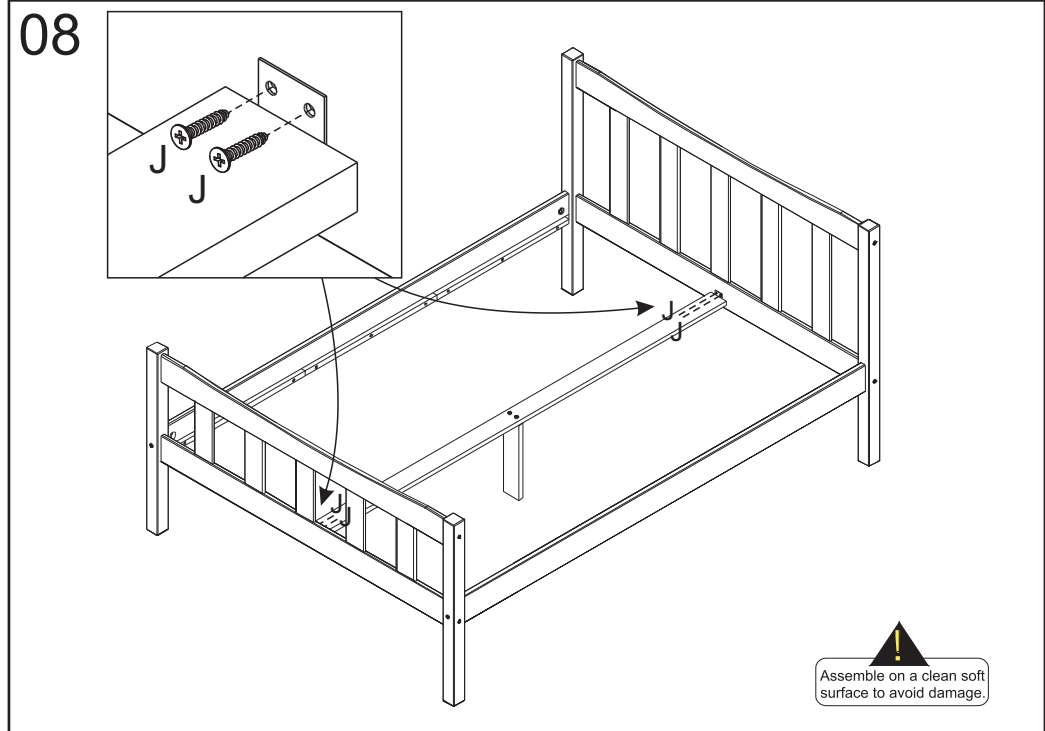
06



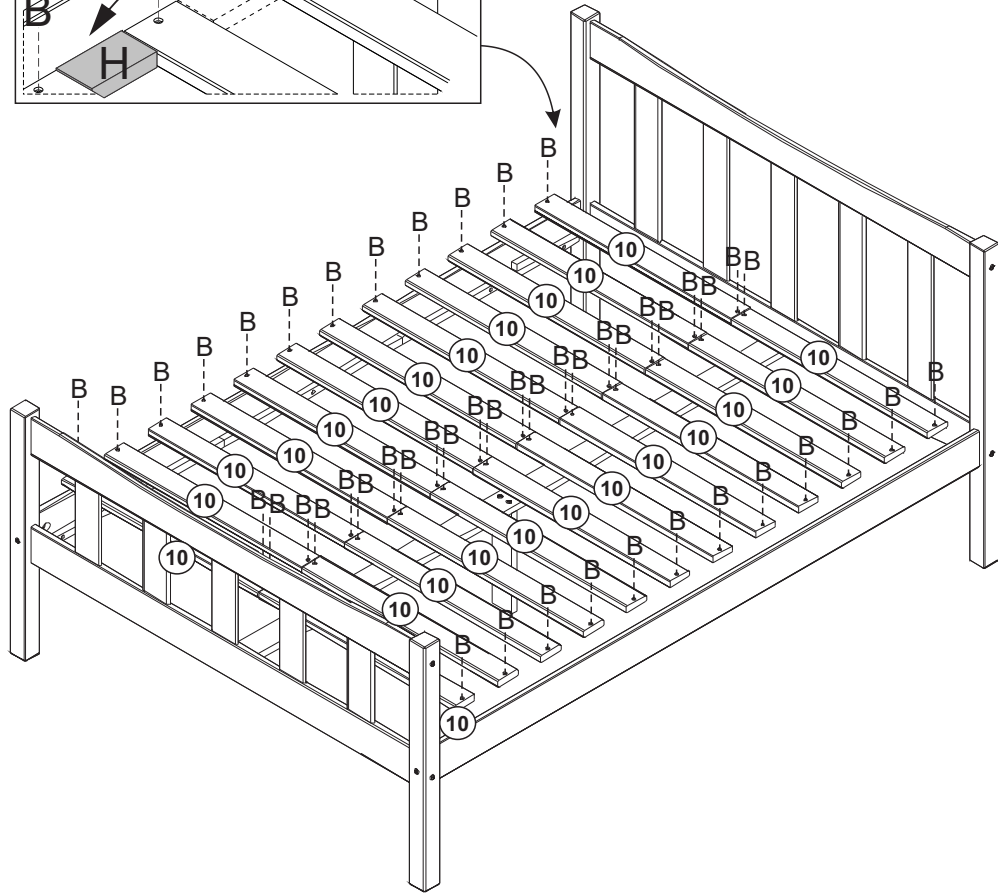
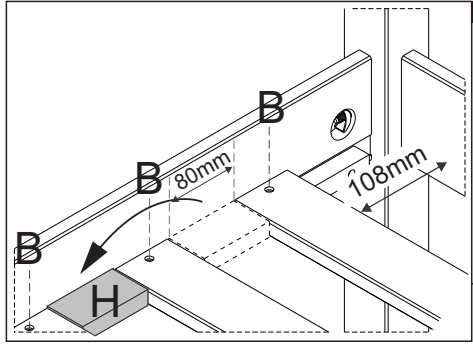
07



08



09



  
Assemble on a clean soft surface to avoid damage.

10

