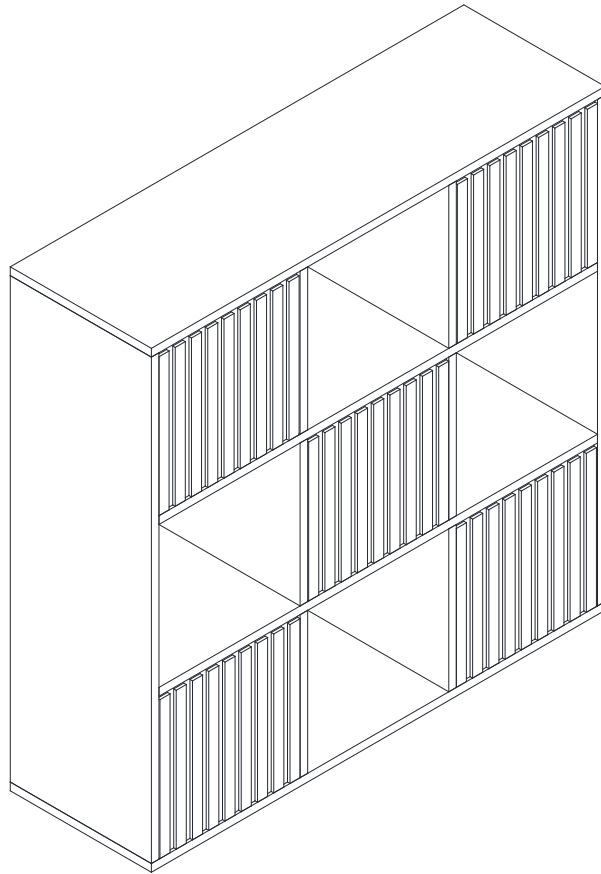


# KUBE 3X3 STORAGE

Thank you for purchasing the Kube 3x3 Storage

Please read the instructions carefully to ensure safe operation of this product.



Size: W89.3 x D28 x H89 cm

---

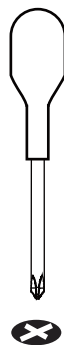
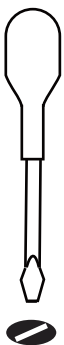
**PLEASE READ** this sheet prior to assembly to familiarise yourself with the various stages of construction.

Carefully open the pack supplied and check the contents against the parts and fittings check list. Do not destroy any of the packaging until you are certain that you have all the necessary parts for the assembly.

**CAUTION:** There are small components used in the construction of this unit. These loose items should be kept away from young children whilst assembling your unit to avoid the danger of choking.

---

## Tools Required



Number of people



1 Hour  
Set Up

# KUBE 3X3 STORAGE

## IMPORTANT - READ CAREFULLY - RETAIN THESE INSTRUCTIONS FOR FUTURE REFERENCE.

### INFORMATION

- This product is designed to hold 20Kg in total, spread evenly over the whole unit. Do not exceed this weight.
- Due to the size of this product we recommend that it is assembled in the room intended for use.
- When you are ready to start, make sure that you have the right tools, plenty of space and a clean, dry area for assembly.
- Unwrap all packaging materials and place the components on top of the carton box or on a clean floor to prevent it from scratching.
- Check the pack and make sure you have all the parts listed.
- Ensure that this product is fully assembled and secured as illustrated before use.
- Check all screws or bolts are tightened and inspect regularly.
- This product should only be used on firm, level ground.
- Keep small parts out of reach of children.
- Tools are not included.

### WARNINGS

- DO NOT use power tools to construct this product.
- DO NOT over tighten screws or bolts.
- DO NOT use this product if parts are missing, damaged or worn.
- DO NOT sit or stand on the product.
- It is essential that this unit is fixed to a wall with the fixings provided.
- We recommend the use of the wall fixing provided for safety reasons. N.B. if in doubt please consult a qualified tradesperson. **Warning:** Always ensure the area to be drilled is free from hidden electrical wires, water and gas pipes.

### CARE INFORMATION

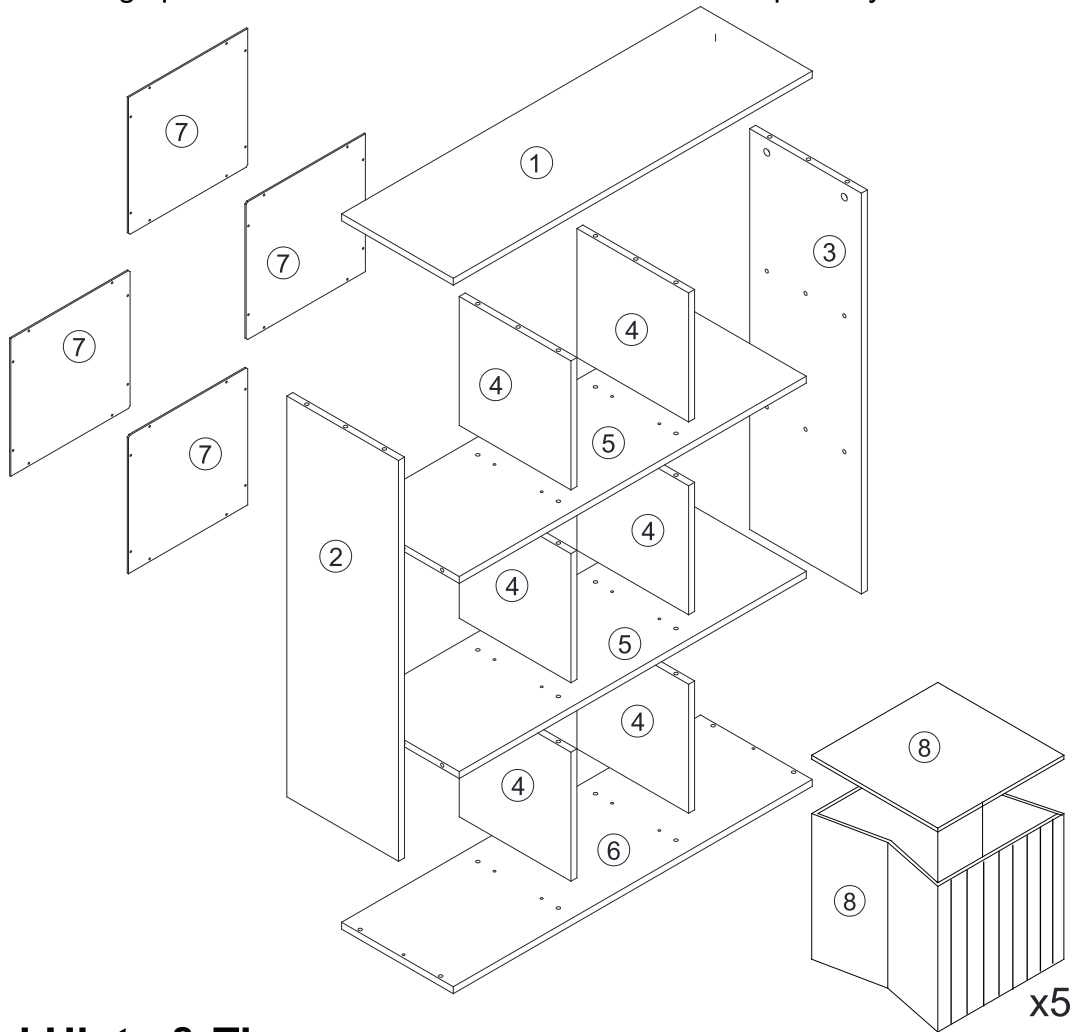
- Never use scourers, abrasives or chemical cleaners
- To clean wipe with a sponge and warm soapy water. Do not use solvent based cleaners or detergents as they can bleach or damage the product

# KUBE 3X3 STORAGE

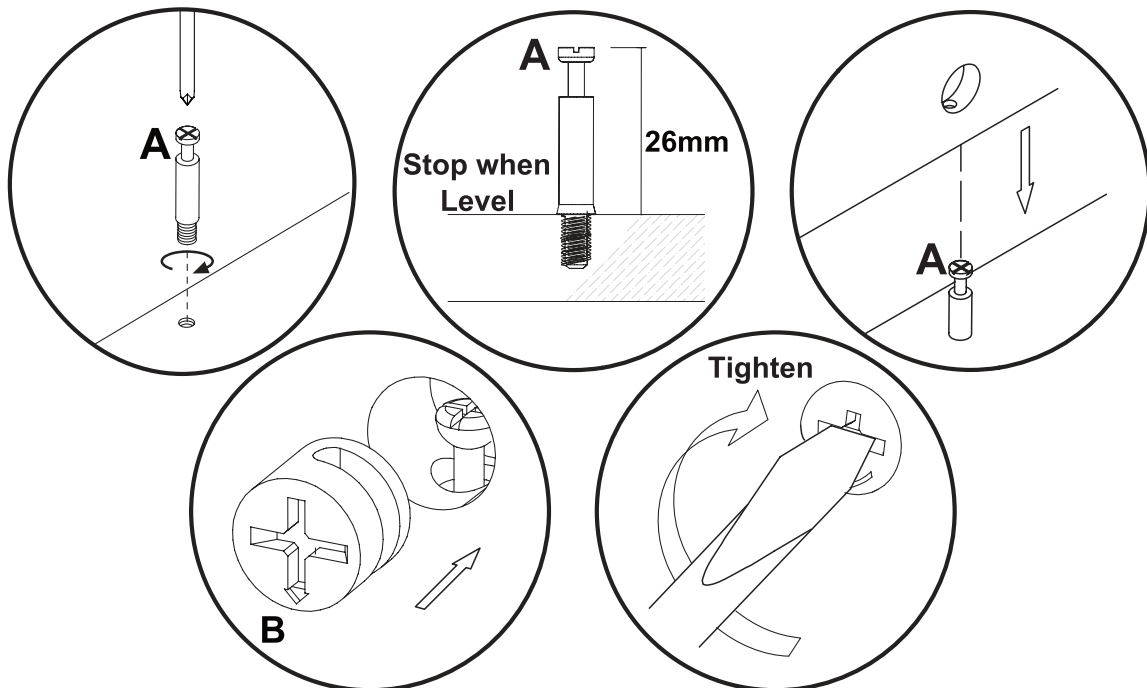
## Parts and Fittings Checklist

Please check the pack contents before assembling the product. If any components are missing, please contact your retailer.

The fittings pack contains small items that should be kept away from children.



## General Hints & Tips



# KUBE 3X3 STORAGE

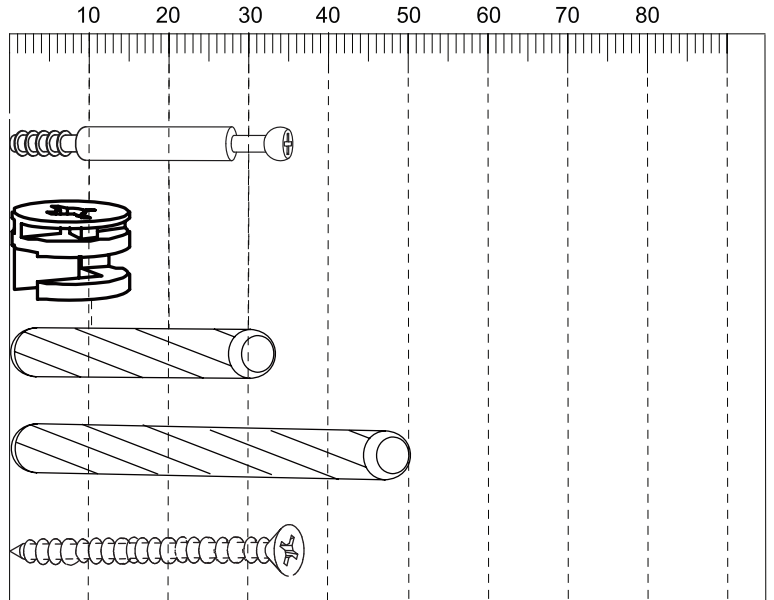
All parts are packed in one carton

1	2	3
Description: Top Panel Qty: 1 Size: 893 x 280 x 12 mm Carton No: 1/1	Description: Left Side Panel Qty: 1 Size: 867 x 280 x 12 mm Carton No: 1/1	Description: Right Side Panel Qty: 1 Size: 867 x 280 x 12 mm Carton No: 1/1
4	5	6
Description: Panel Qty: 6 Size: 281 x 280 x 12mm Carton No: 1/1	Description: Shelf Panel Qty: 2 Size: 867 x 280 x 12 mm Carton No: 1/1	Description: Bottom Panel Qty: 1 Size: 893 x 280 x 12 mm Carton No: 1/1
7	8	9
Description: Back Panel Qty: 4 Size: 299 x 299 x 3mm Carton No: 1/1	Description: Drawer Qty: 5 Size: 270 x 270 x 260mm Carton No: 1/1	

# KUBE 3X3 STORAGE

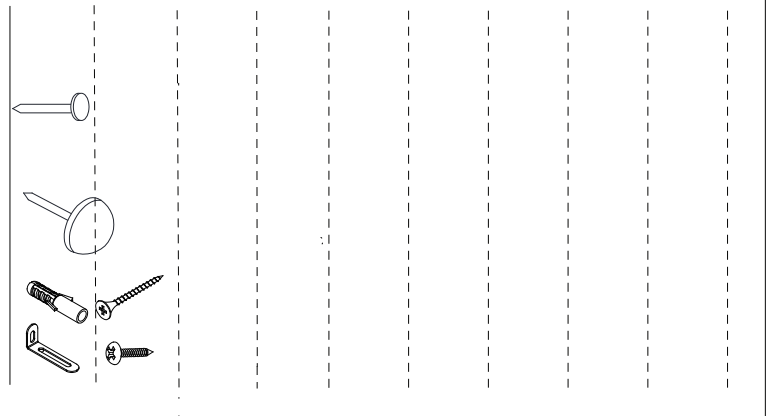
## Fittings (to scale)

Code	Item	Quantity
A	Cam Bolt (35mm overall)	18
B	Cam Lock	18
C	Dowel (6x30mm)	16
D	Dowel (6x50mm)	8
E	Screw (4x35mm)	16



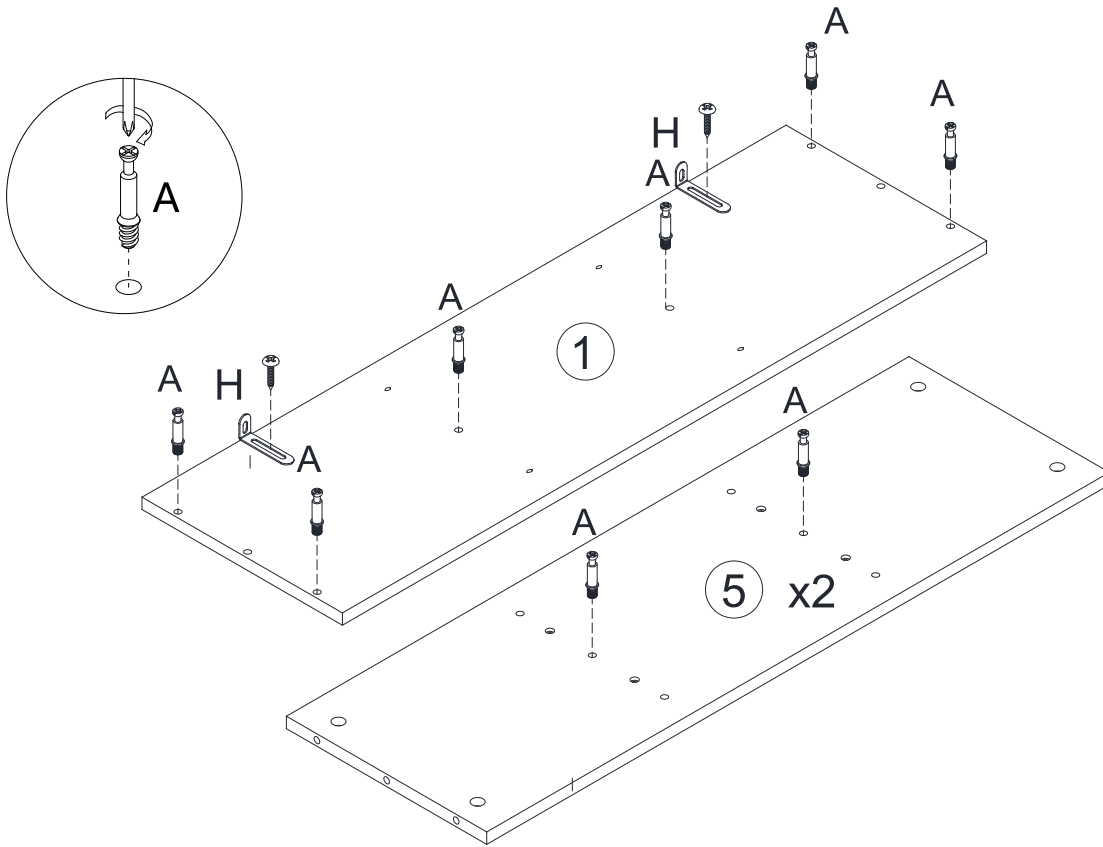
## Fittings (not to scale)

Code	Item	Quantity
F	Back panel nail	48
G	Foot	8
H	Wall Fixing	2



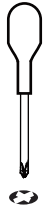
# KUBE 3X3 STORAGE

## STEP 1

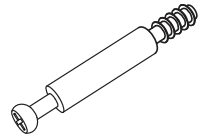


For this step:

**Tools required**



**Fittings required**

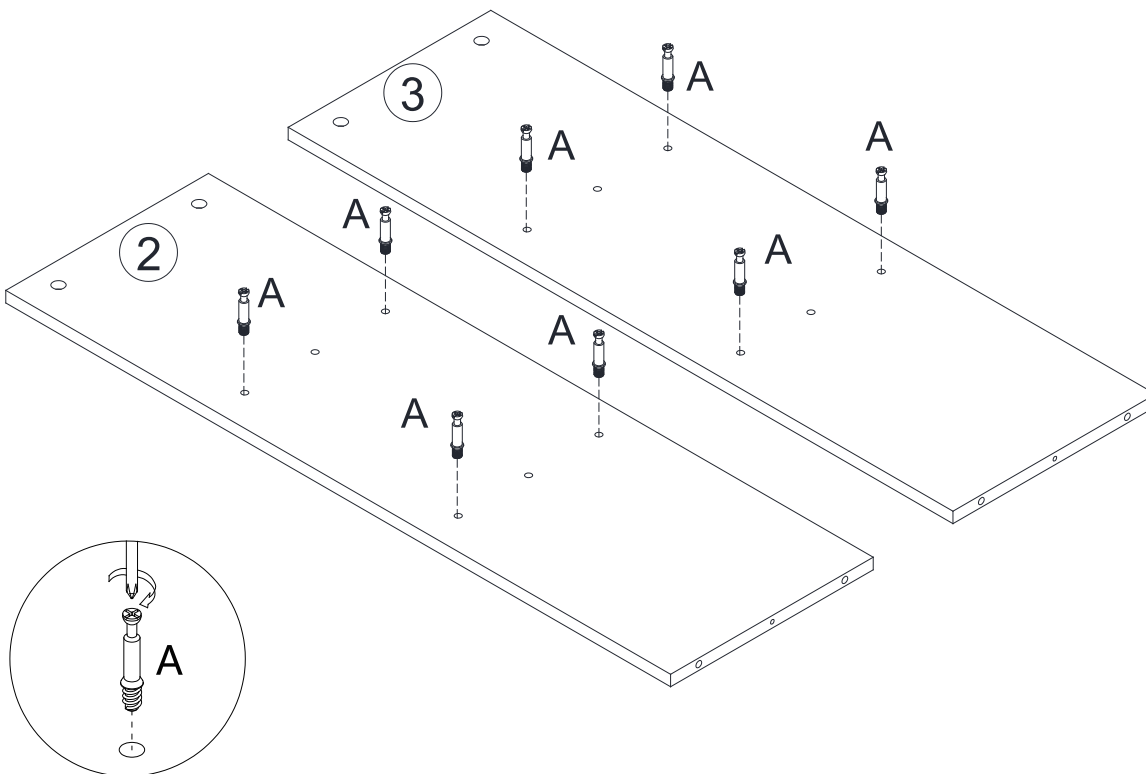


A x10



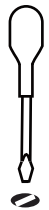
H x2

## STEP 2

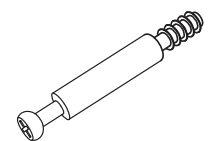


For this step:

**Tools required**



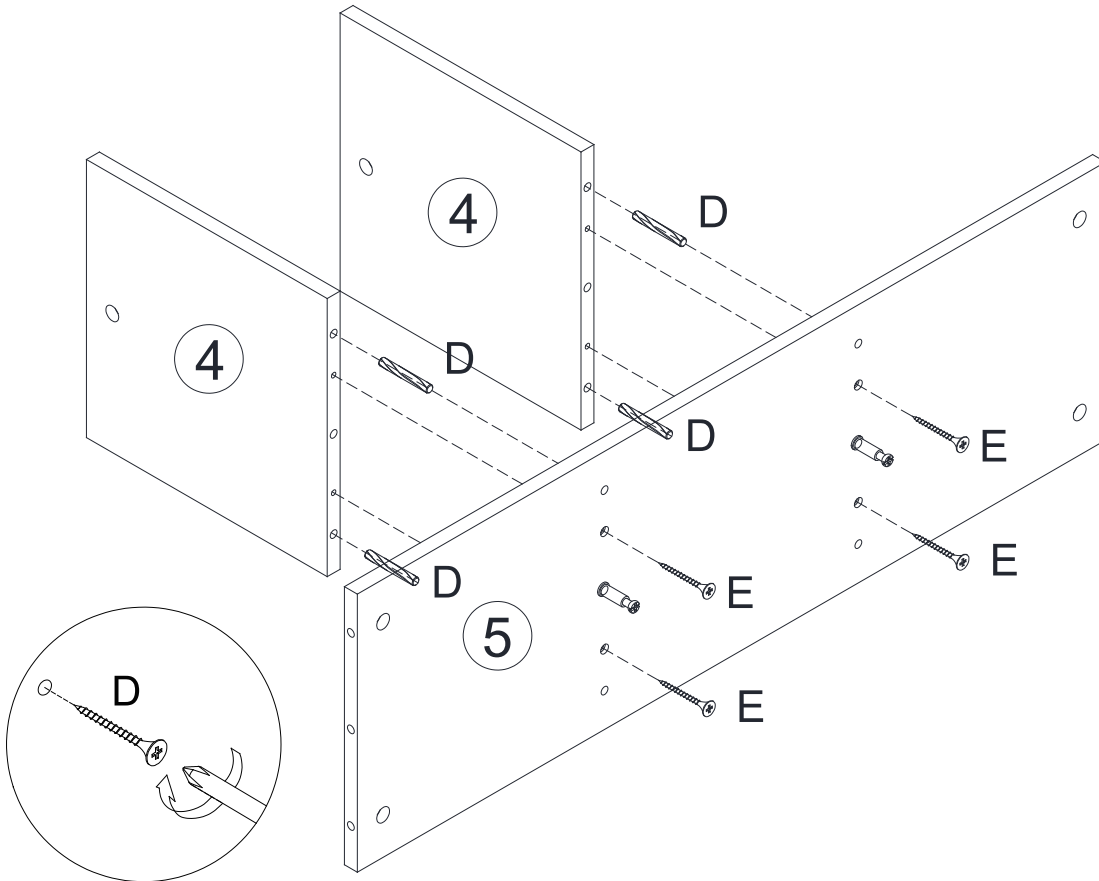
**Fittings required**



A x8

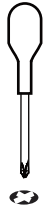
# KUBE 3X3 STORAGE

## STEP 3

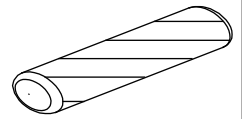


For this step:

**Tools required**



**Fittings required**

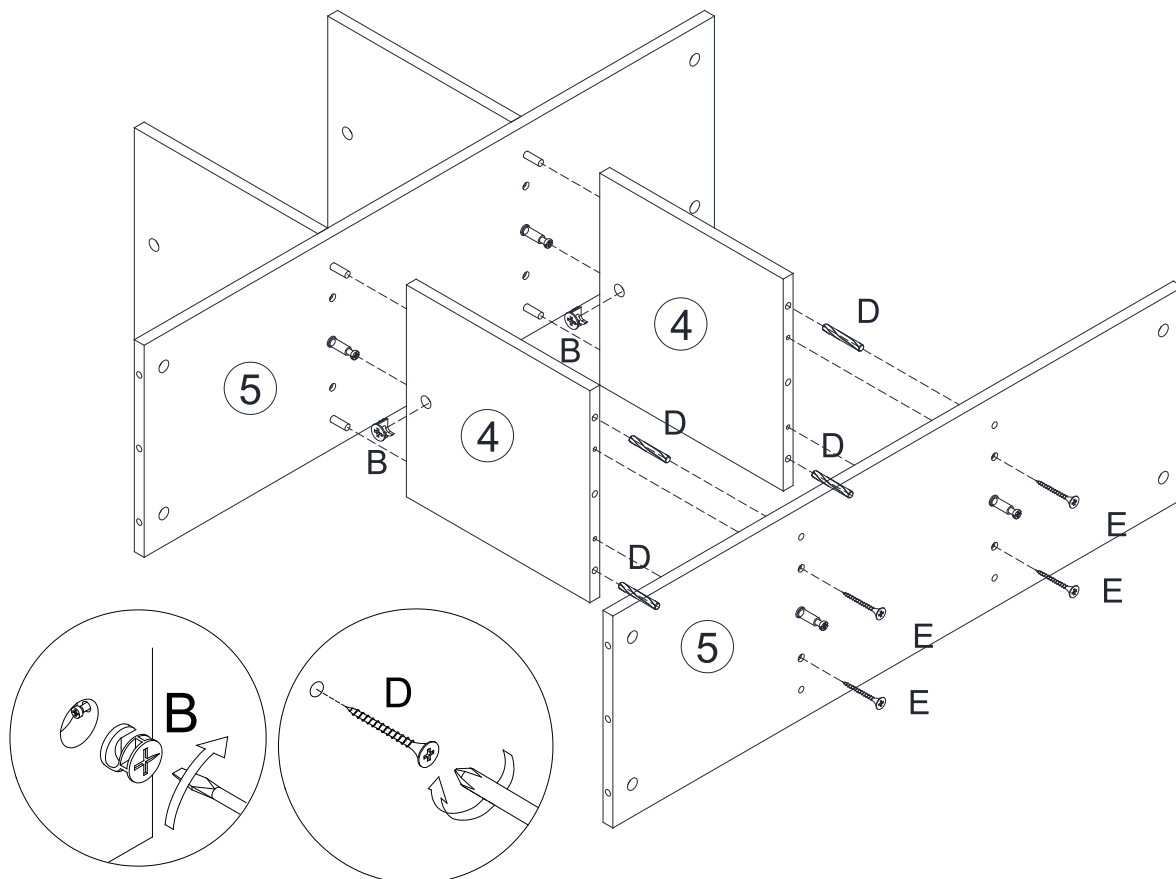


D x4



E x4

## STEP 4



For this step:

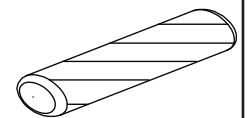
**Tools required**



**Fittings required**



B x2



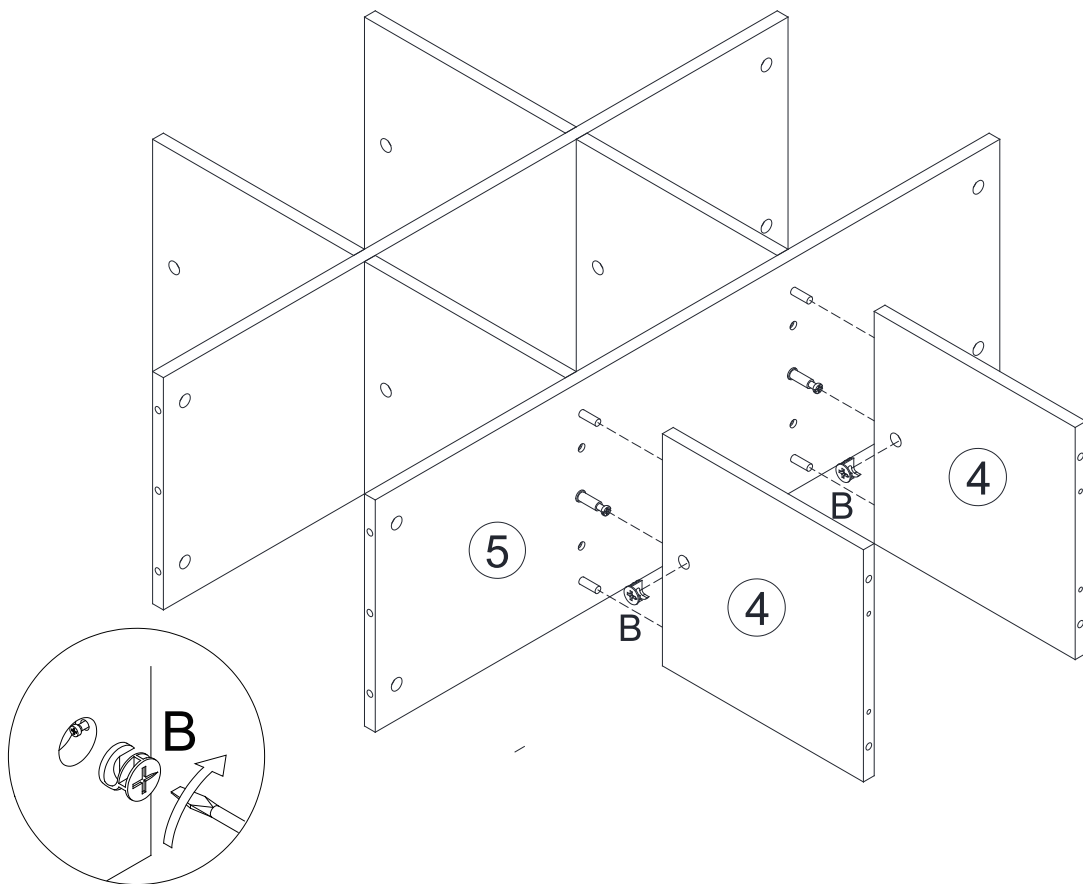
D x4



E x4

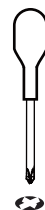
# KUBE 3X3 STORAGE

## STEP 5



For this step:

**Tools required**

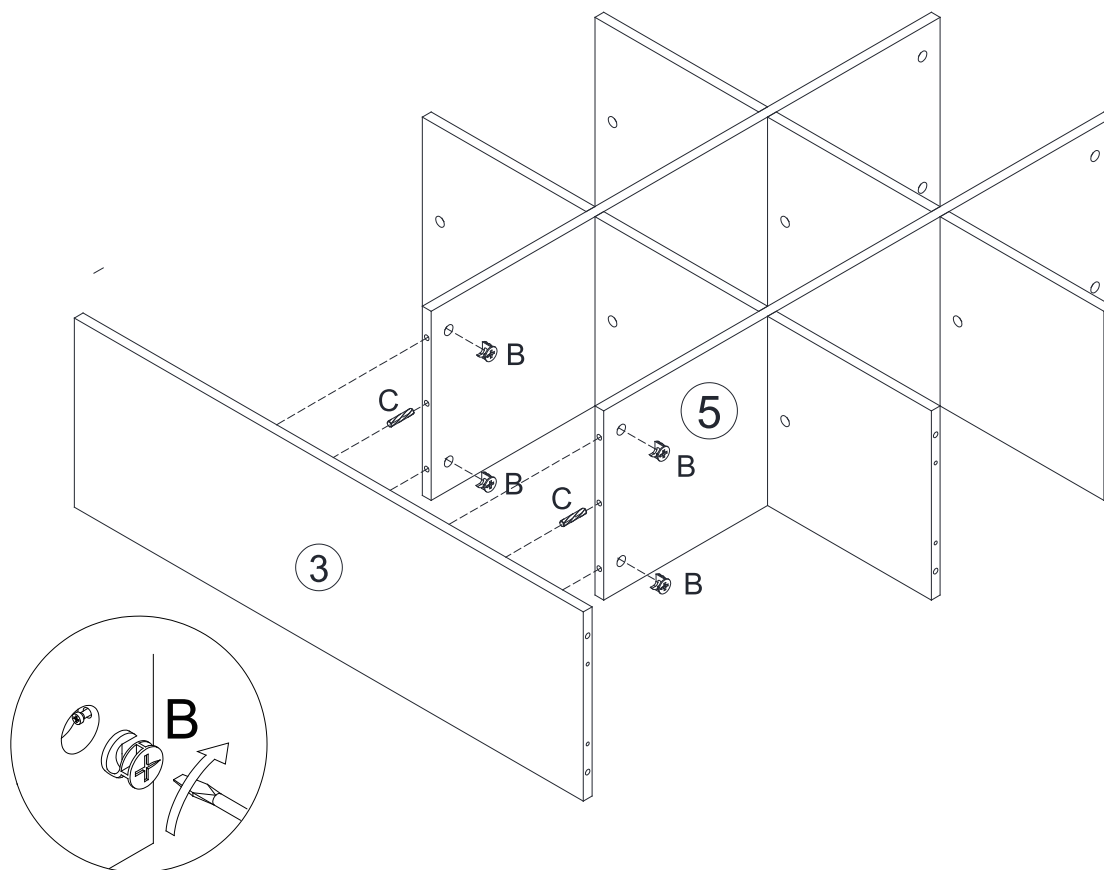


**Fittings required**

B x2

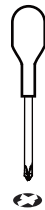


## STEP 6



For this step:

**Tools required**

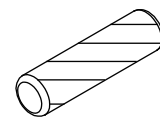


**Fittings required**

B x4



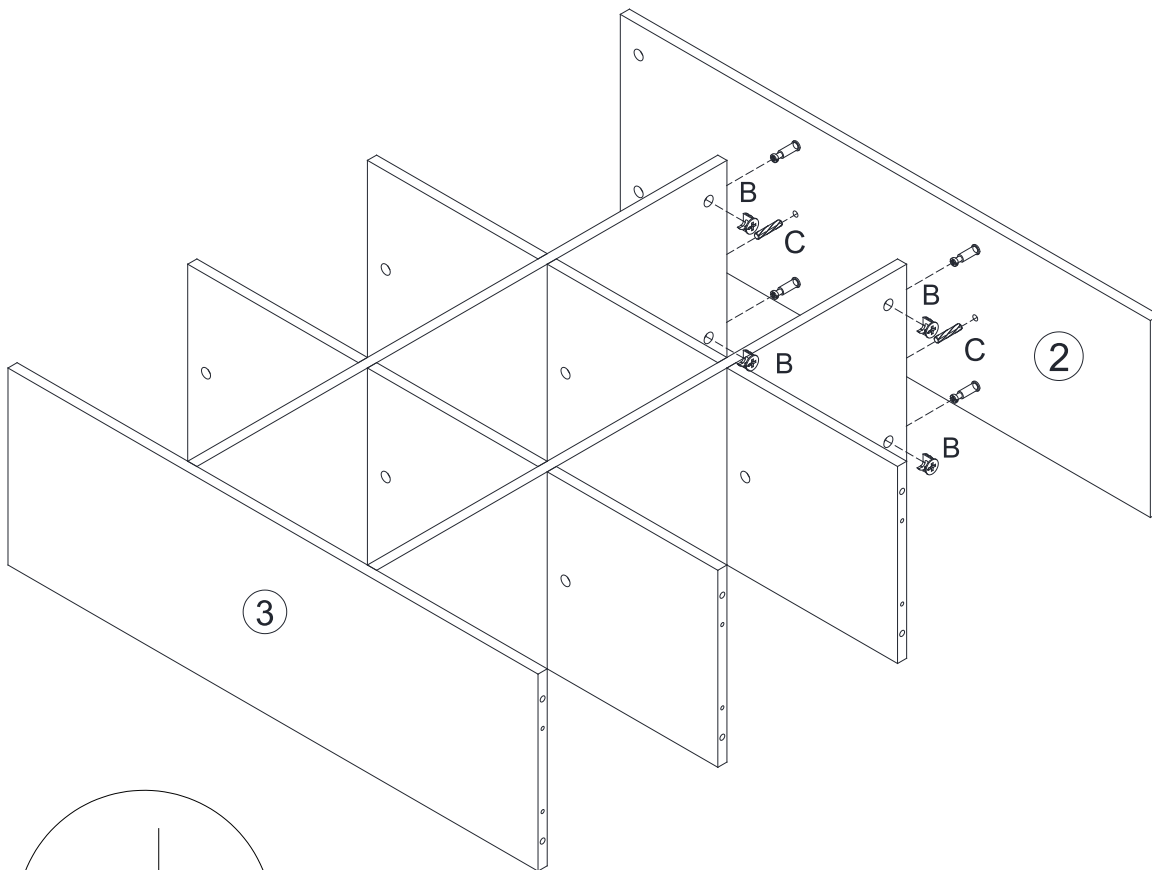
C x2



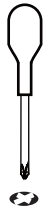


# KUBE 3X3 STORAGE

## STEP 7



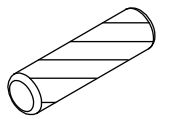
For this step:



**Fittings required**

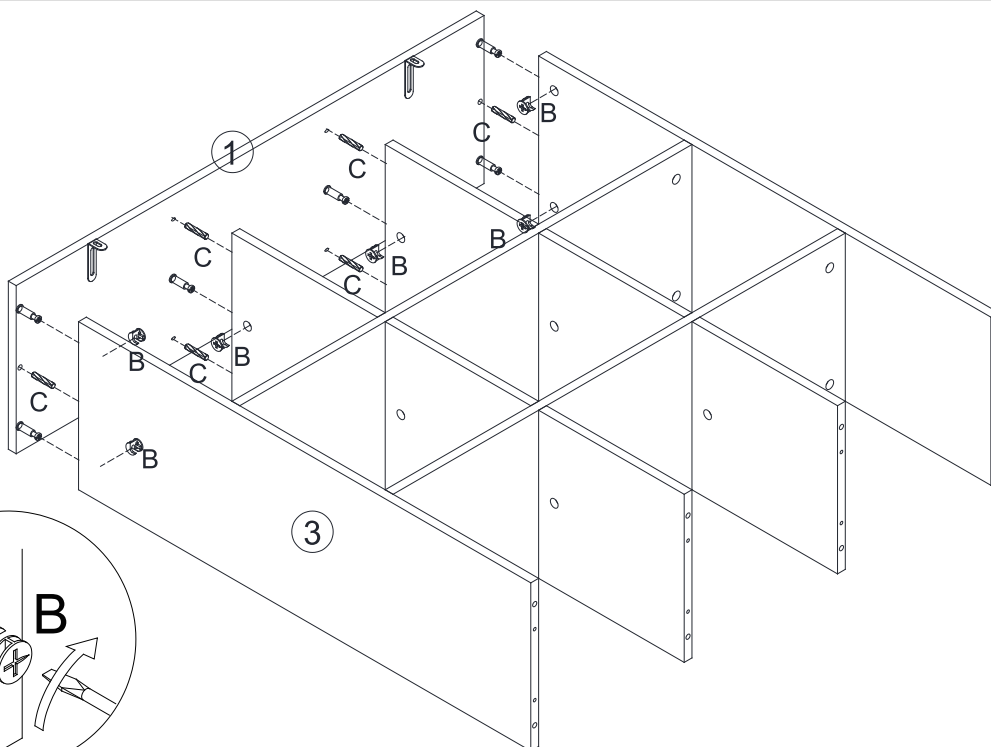


**B x4**



**C x2**

## STEP 8



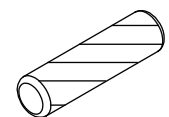
For this step:



**Fittings required**



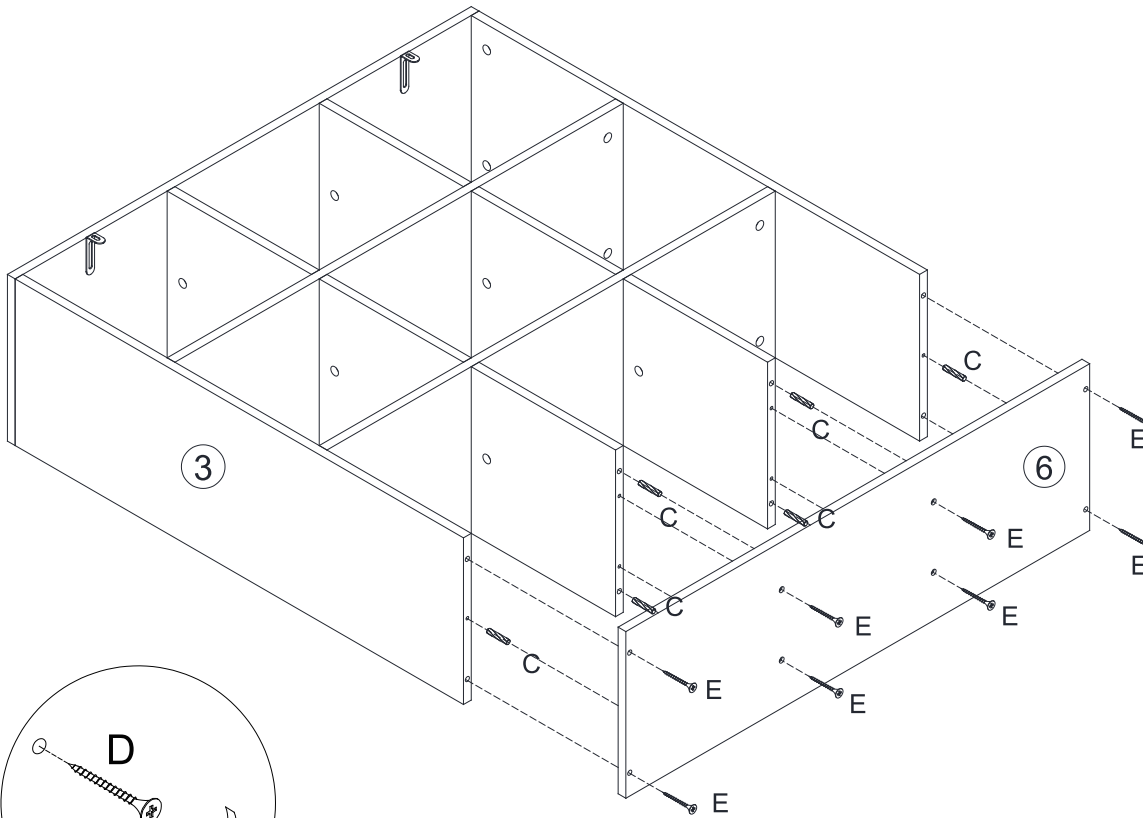
**B x6**



**C x6**

# KUBE 3X3 STORAGE

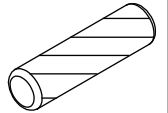
## STEP 9



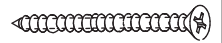
For this step:  
**Tools required**



**Fittings required**

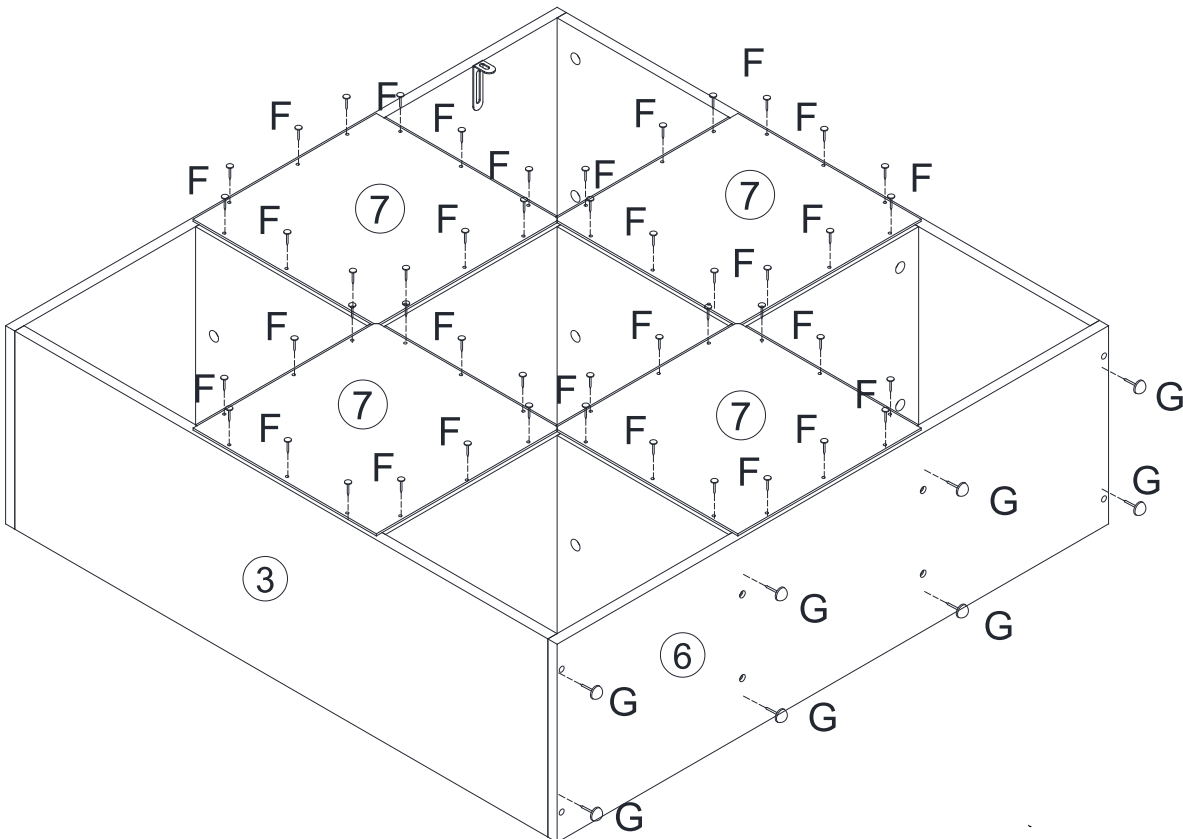


C x6



E x8

## STEP 10



For this step:  
**Tools required**

**Fittings required**



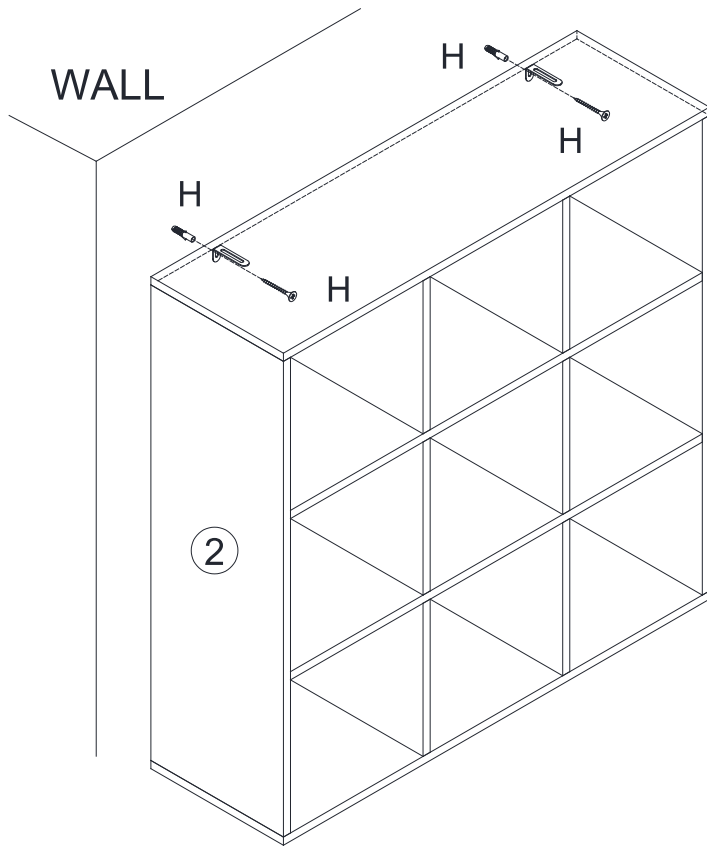
F x48



G x8

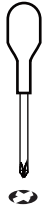
# KUBE 3X3 STORAGE

## STEP 11



For this step:

*Tools required*

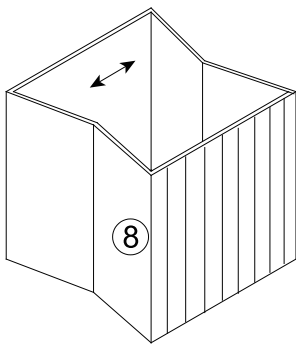


*Fittings required*

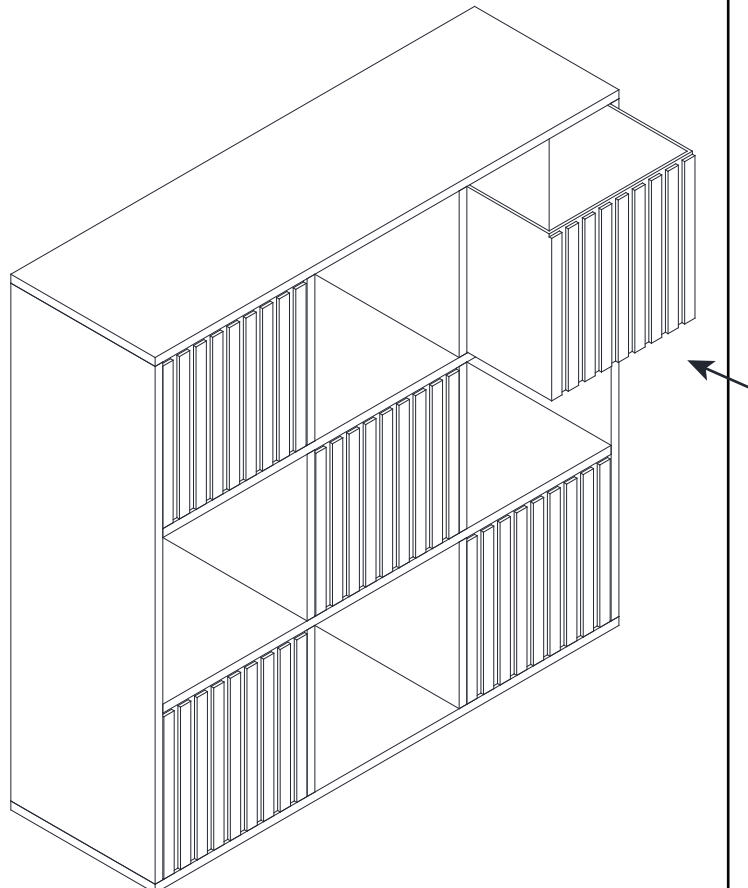
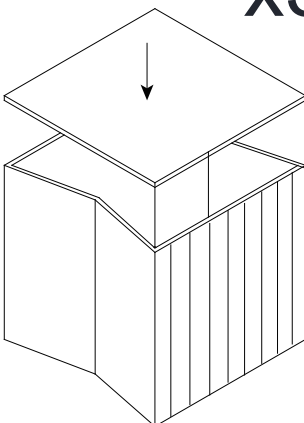


H x2

## STEP 12



x5



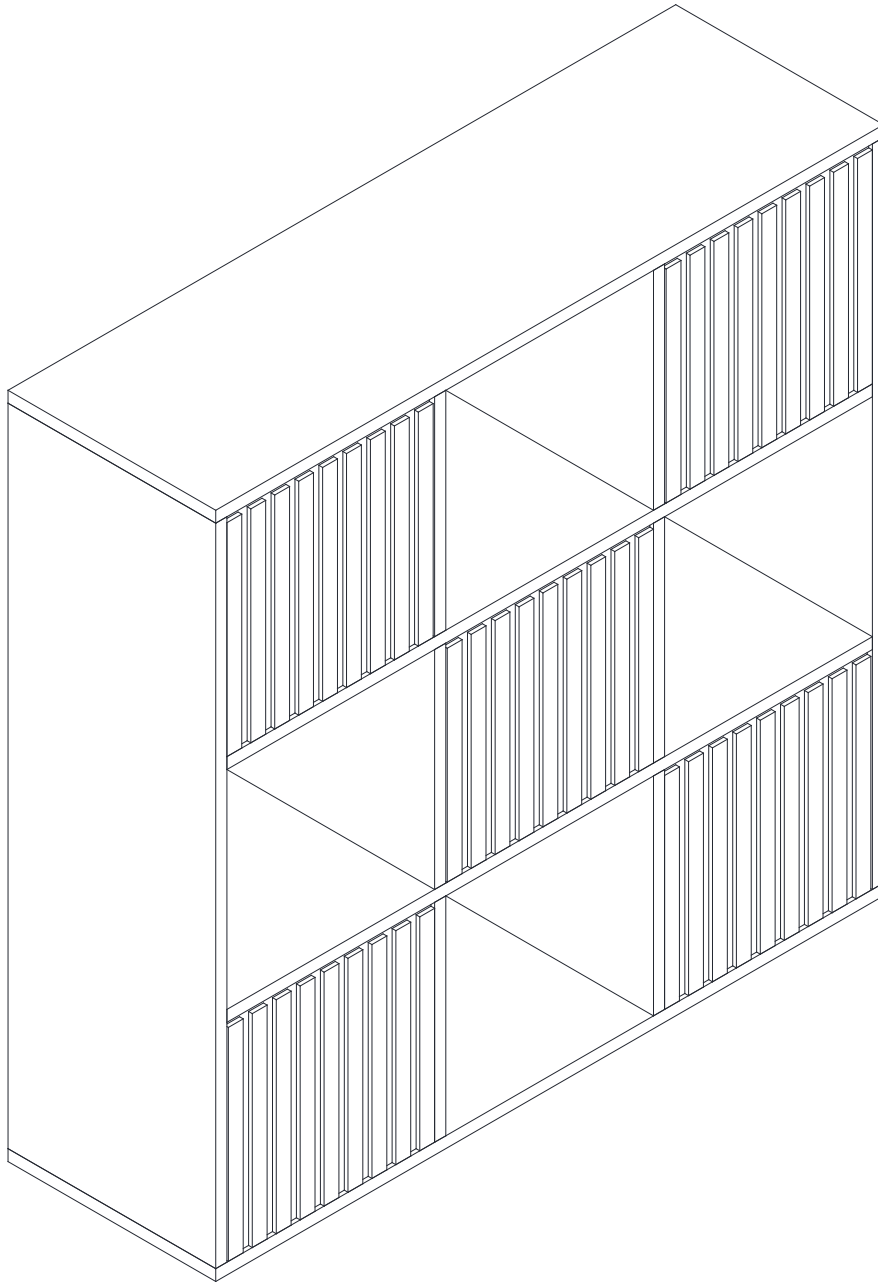
# KUBE 3X3 STORAGE

## Assembly Completed

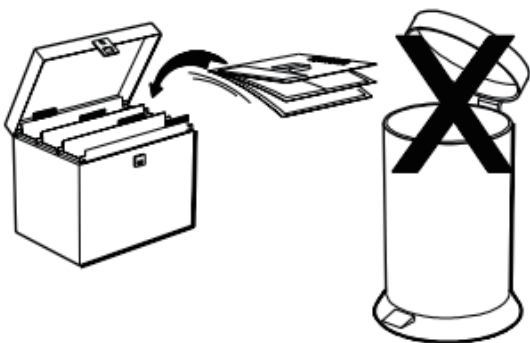
Your Kube 3x3 Storage is now completely assembled.

Periodically check to ensure that the components are in their proper position, free from damage.

Also, make sure the connectors are tight and secure.



**Keep instructions for future reference**



Supplied by : GFW THE FURNITURE WAREHOUSE  
Waterside Distribution Centre  
Waterside Business Park  
Johnson Road  
Lancashire  
BB3 3RT