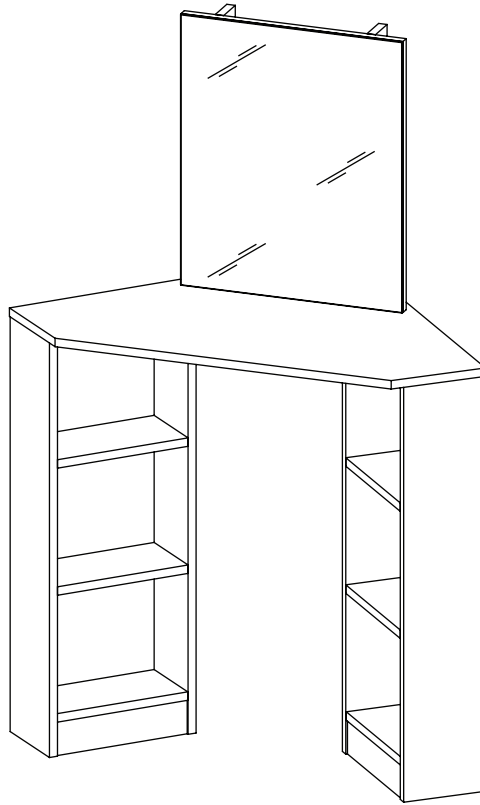


# FRANCES CORNER DRESSING TABLE ASSEMBLY INSTRUCTIONS

Thank you for purchasing this dressing table

Please read the instructions carefully to ensure safe operation of this product.



Size: 85 x 39.6 x 123 cm (WDH)

Colour: White

---

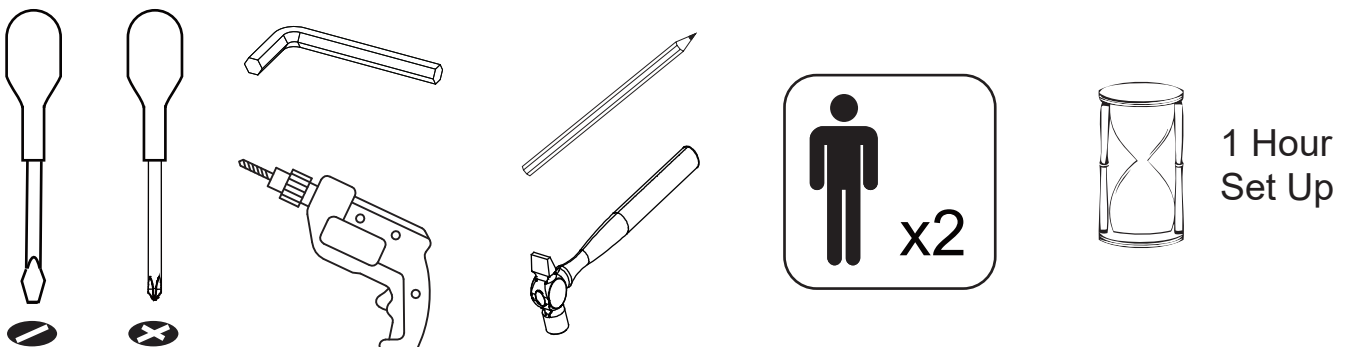
**PLEASE READ** this sheet prior to assembly to familiarise yourself with the various stages of construction.

Carefully open the pack supplied and check the contents against the parts and fittings check list. Do not destroy any of the packaging until you are certain that you have all the necessary parts for the assembly.

**CAUTION:** There are small components used in the construction of this unit. These loose items should be kept away from young children whilst assembling your unit to avoid the danger of choking.

---

## Tools Required



Version 1 - 241016

PO No: \_\_\_\_\_

Page 1 of 11

# FRANCES CORNER DRESSING TABLE ASSEMBLY INSTRUCTIONS

## **IMPORTANT - READ CAREFULLY - RETAIN THESE INSTRUCTIONS FOR FUTURE REFERENCE.**

### **INFORMATION**

- This product is designed to hold 20Kg in total. Do not exceed this weight.
- We recommend that this unit is assembled in the room intended for use.
- When you are ready to start, make sure that you have the right tools, plenty of space and a clean, dry area for assembly.
- Unwrap all packaging materials and place the components on top of the carton box or on a clean floor to prevent it from scratching.
- Check the pack and make sure you have all the parts listed.
- Ensure that this product is fully assembled as illustrated before use.
- Check all screws or bolts are tightened and inspect regularly
- Tools not included unless specified in parts list.

### **WARNINGS**

- This product should only be used on a firm and level floor.
- Keep small parts out of reach of children.
- Make sure the legs/base remain in contact with the floor.
- DO NOT use power tools to construct this product.
- DO NOT tighten screws until parts are assembled or as advised in this guide.
- DO NOT over tighten screws or bolts.
- DO NOT use this product if parts are missing, damaged or worn.
- DO NOT sit or stand on the product.
  
- This product should be attached to the wall with the anti-tilt brackets that are supplied (G), one on each side under the top panel - see Step 5.
- Follow the instructions carefully.

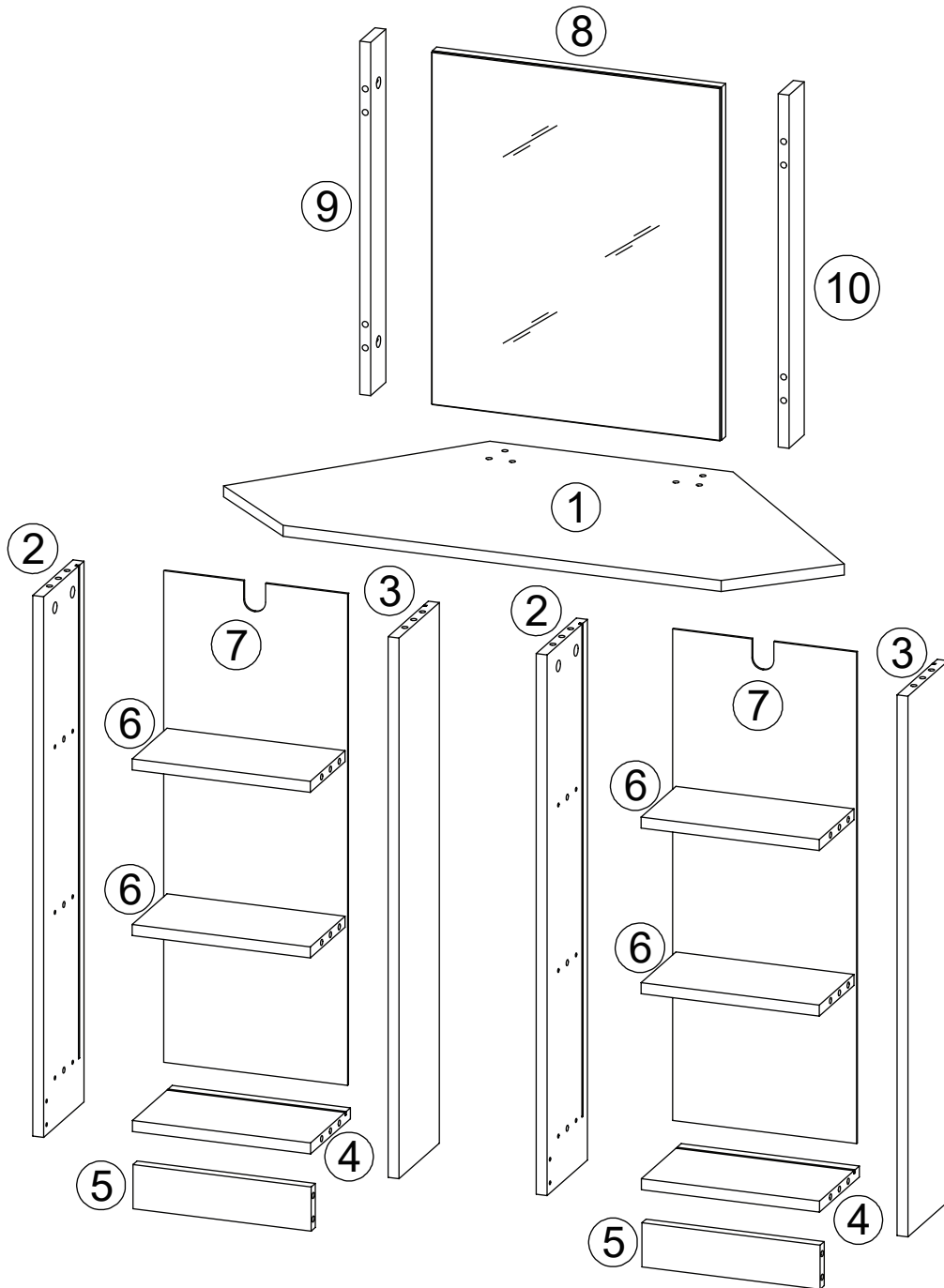
### **CARE INFORMATION**

- To clean the unit or mirror, wipe with a damp clean cloth.
- To clean any fingerprints off the mirror, please use a proprietary glass cleaner.
- Never use scourers, abrasives or chemical cleaners.
- Do not use solvent based cleaners or detergents as they can bleach or damage the product.

# FRANCES CORNER DRESSING TABLE ASSEMBLY INSTRUCTIONS

## Parts and Fittings Checklist

Please check the pack contents before assembling the product. If any components are missing, please contact your retailer. The fittings pack contains small items that should be kept away from small children.

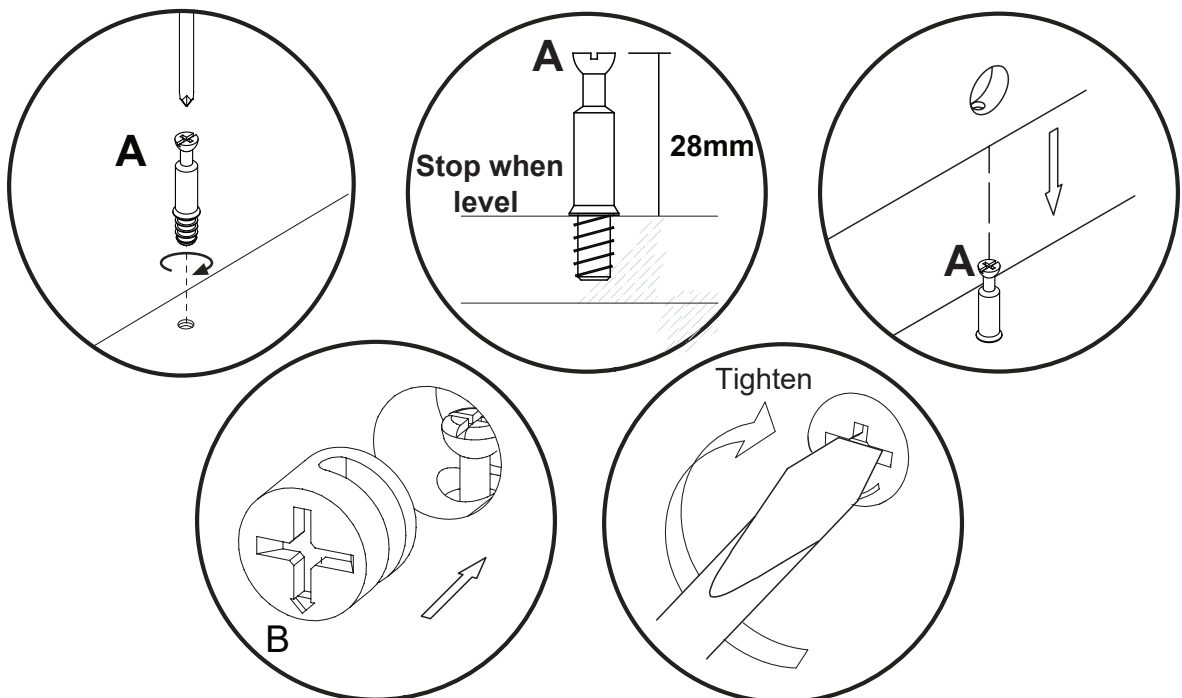


# FRANCES CORNER DRESSING TABLE ASSEMBLY INSTRUCTIONS

Parts are packed in one carton

1	2	3
Description: Top Panel Qty: 1 Size: 850 x 396 x 15 mm Carton No: 1/1	Description: LH Side Panel Qty: 2 Size: 735 x 146 x 15 mm Carton No: 1/1	Description: RH Side Panel Qty: 2 Size: 735 x 146 x 15 mm Carton No: 1/1
4	5	6
Description: Base Panel Qty: 2 Size: 244 x 145 x 15 mm Carton No: 1/1	Description: Front Plinth Qty: 2 Size: 244 x 60 x 15 mm Carton No: 1/1	Description: Fixed Shelf Qty: 4 Size: 244 x 126 x 15 mm Carton No: 1/1
7	8	9
Description: Back Panel Qty: 2 Size: 668 x 252 x 3 mm Carton No: 1/1	Description: Mirror Qty: 1 Size: 480 x 396 x 19 mm Carton No: 1/1	Description: LH Mirror Support Qty: 1 Size: 480 x 55 x 15 mm Carton No: 1/1
10		
Description: RH Mirror Support Qty: 1 Size: 480 x 55 x 15 mm Carton No: 1/1		

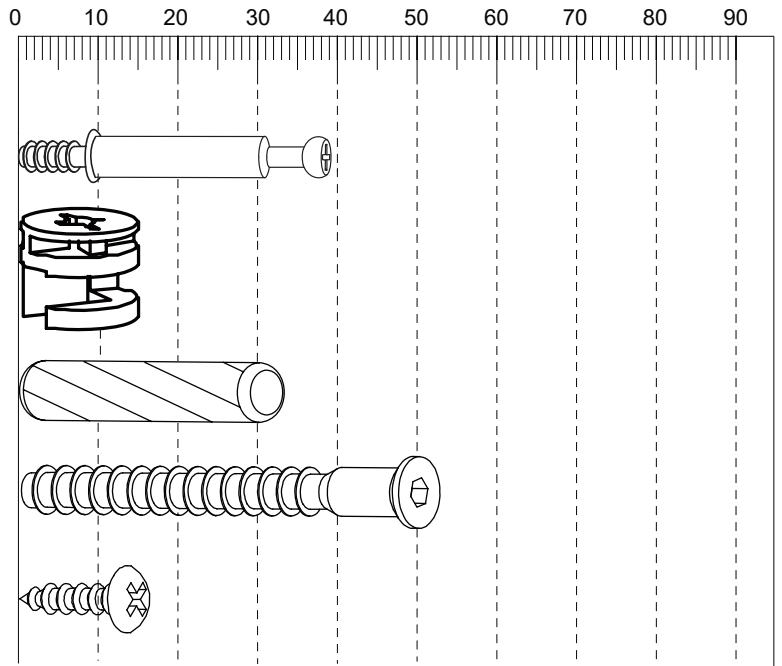
## General Hints & Tips



# FRANCES CORNER DRESSING TABLE ASSEMBLY INSTRUCTIONS

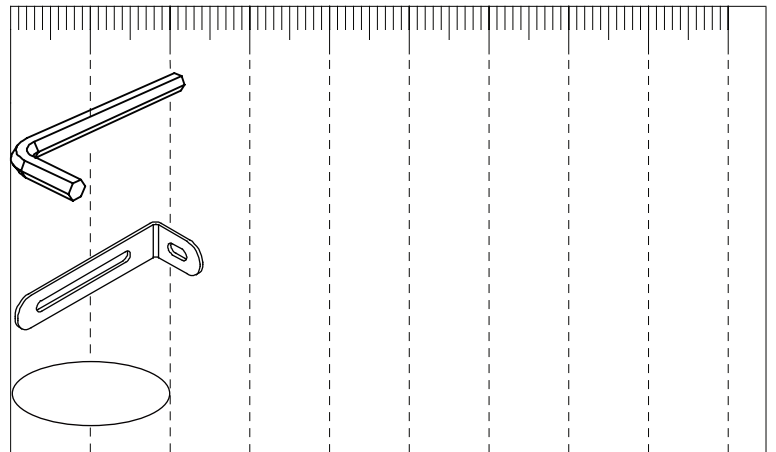
## Fittings (to scale)

Code	Item	Quantity
A	Cam Bolt (38mm overall)	44
B	Cam Lock	44
C	Dowel (8x30mm)	22
D	Carcass screw (7 x 50mm)	4
E	Screw for Back Panels & Metal Anti-tilt Brackets (4x12mm)	8



## Fittings (not to scale)

Code	Item	Quantity
F	Allen Key	1
G	Metal Anti-tilt Bracket for Fixing the Dresser to the Wall	2
H	Cover Sticker	8



## STEP 1

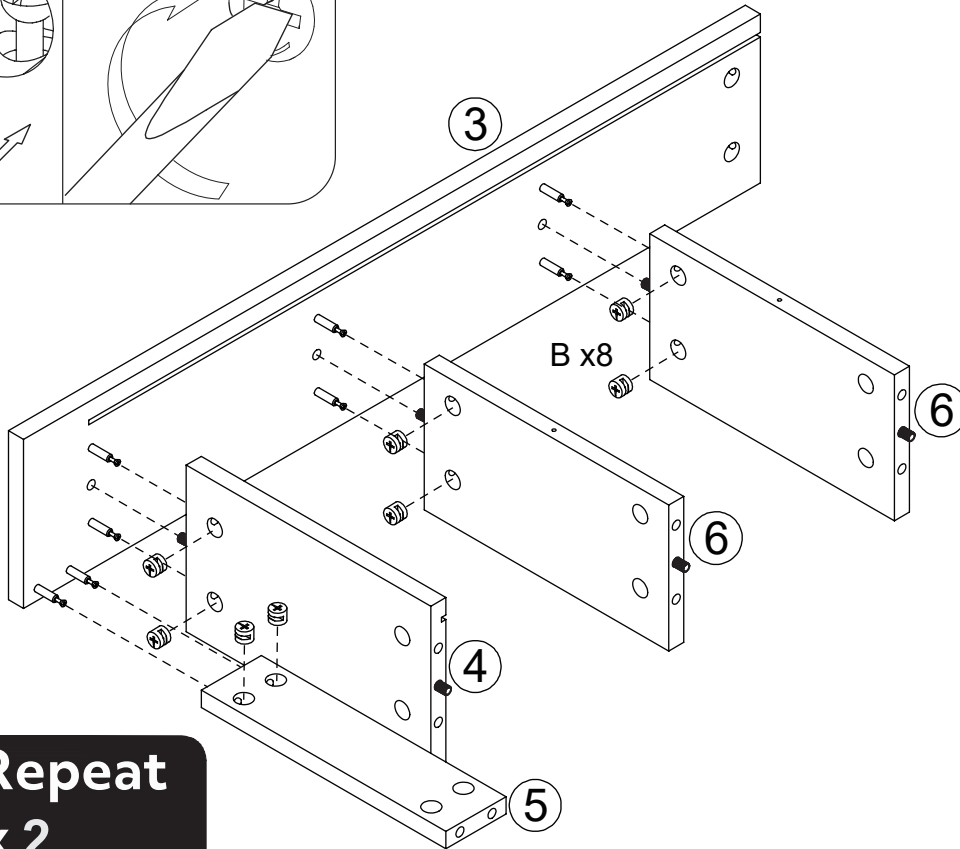
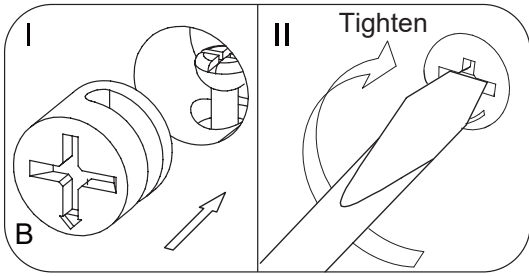
For this step:  
**Tools required**

**Fittings required**

A x32

C x16

## STEP 2



For this step:

**Tools required**

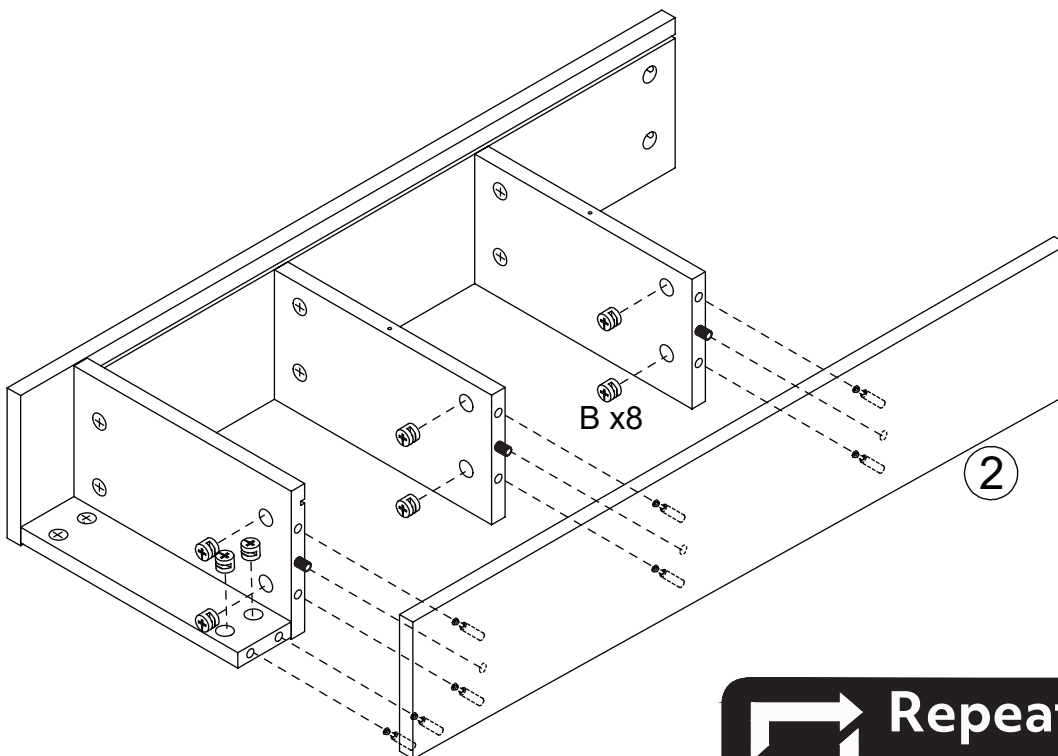


**Fittings required**



B x 16

## STEP 3



For this step:

**Tools required**



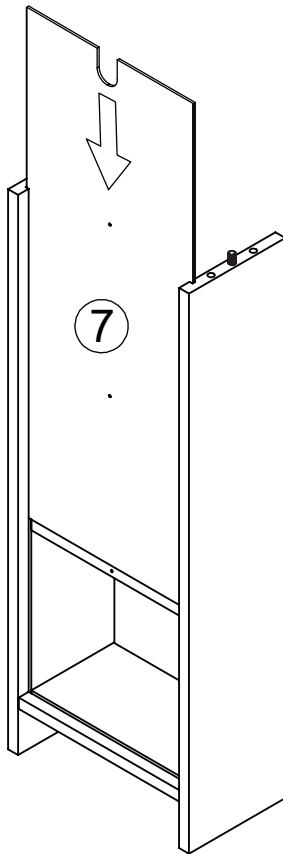
**Fittings required**



B x 16

# FRANCES CORNER DRESSING TABLE ASSEMBLY INSTRUCTIONS

## STEP 4

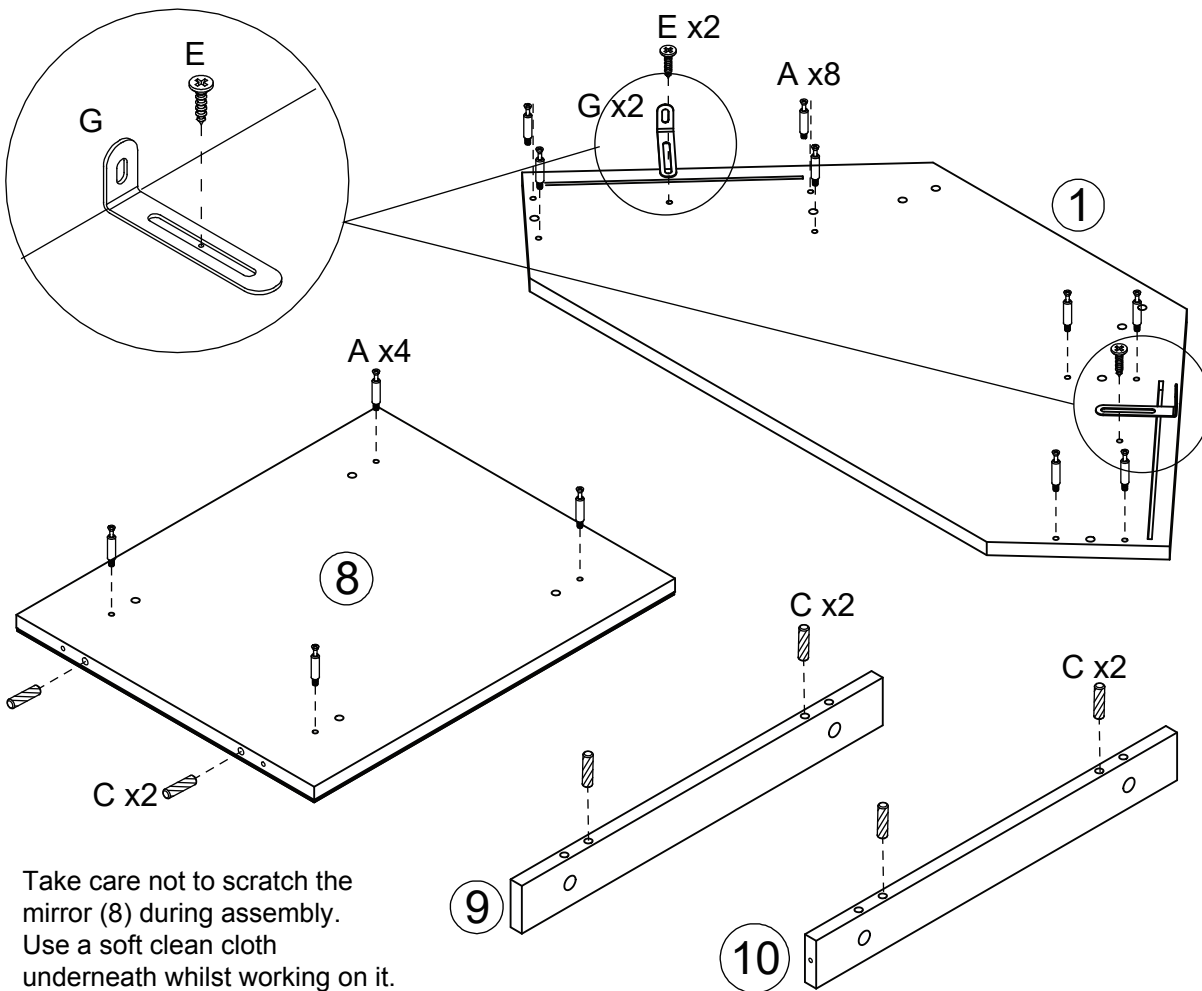


**Repeat  
x 2**

For this step:  
**Tools required**

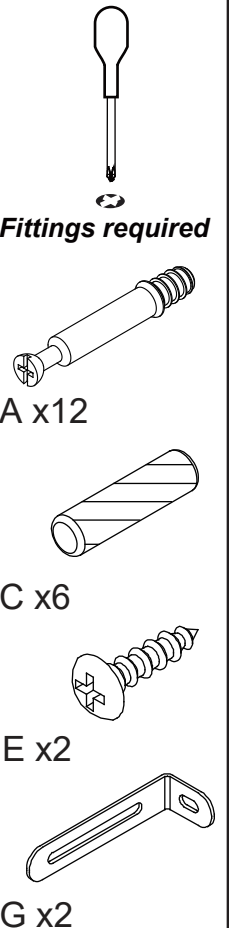
**Fittings required**

## STEP 5



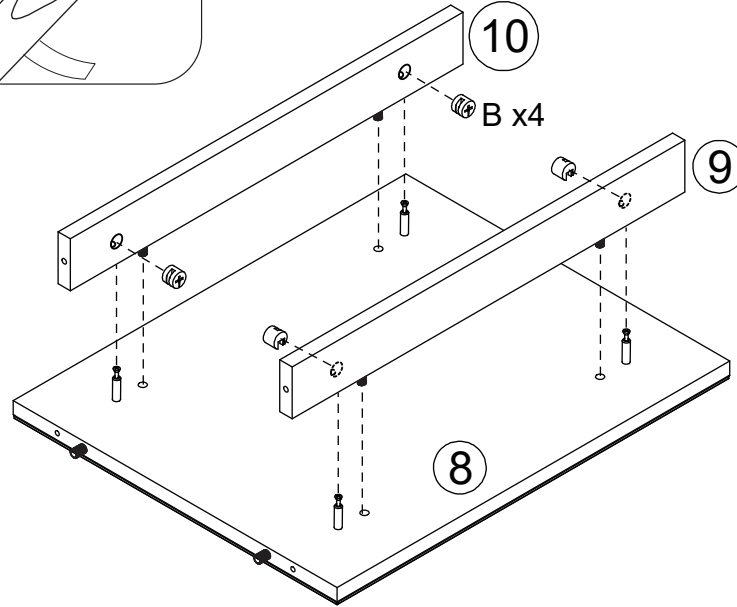
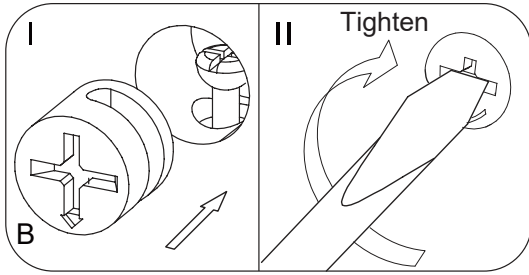
For this step:  
**Tools required**

**Fittings required**



# FRANCES CORNER DRESSING TABLE ASSEMBLY INSTRUCTIONS

## STEP 6



For this step:

**Tools required**

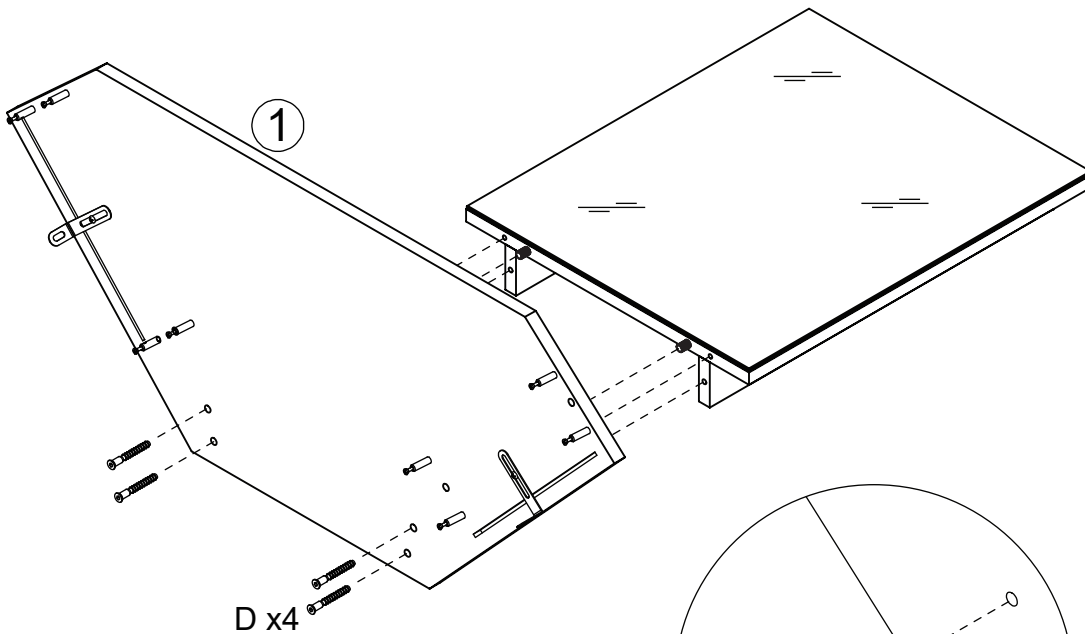


**Fittings required**



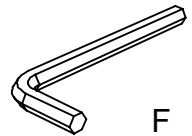
B x 4

## STEP 7



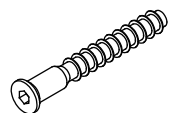
For this step:

**Tools required**



F

**Fittings required**

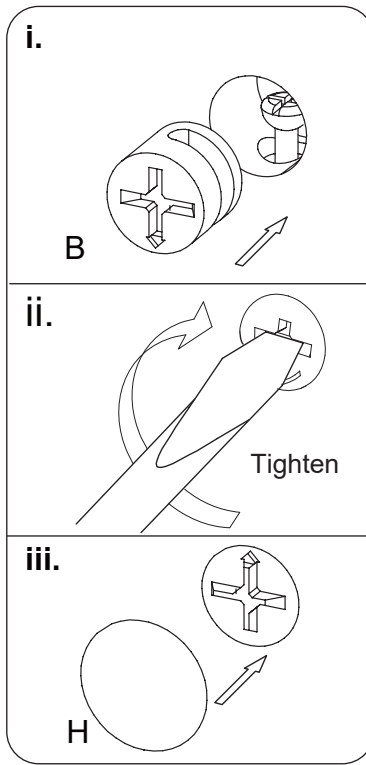
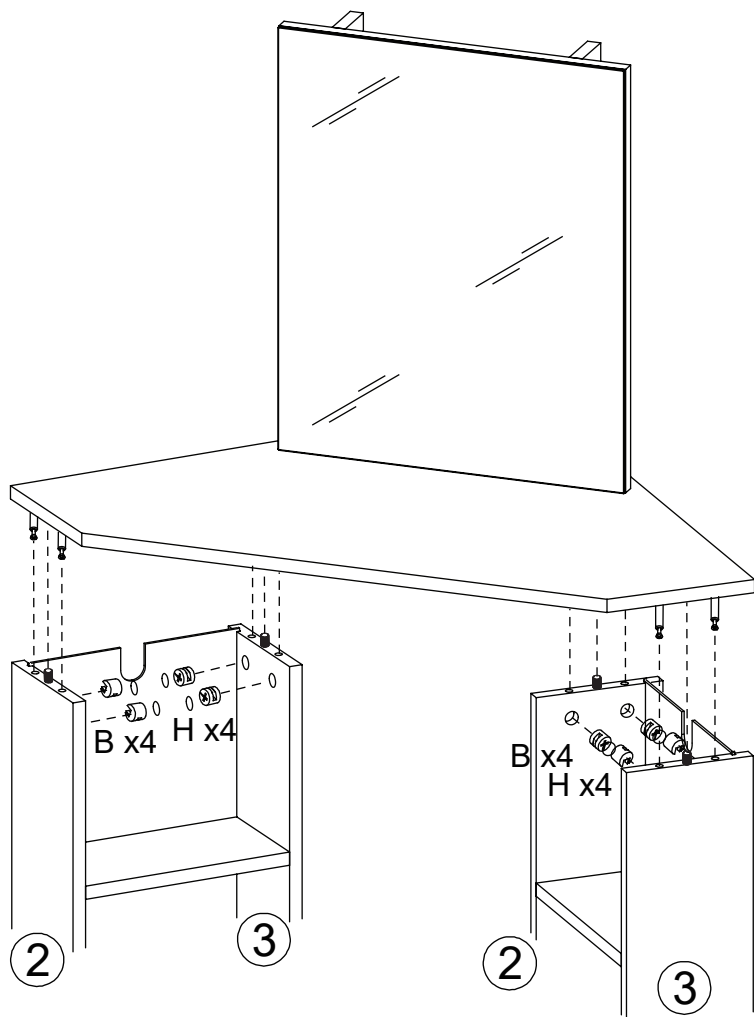


D x 4



# FRANCES CORNER DRESSING TABLE ASSEMBLY INSTRUCTIONS

## STEP 8



For this step:

**Tools required**



**Fittings required**

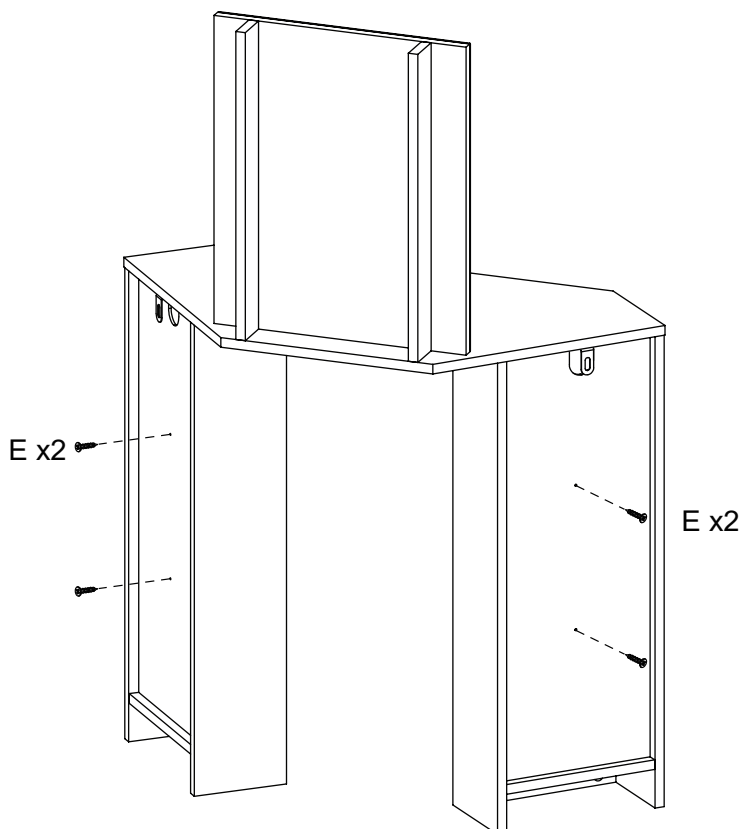


B x8



H x8

## STEP 9

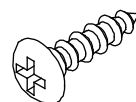


For this step:

**Tools required**



**Fittings required**



E x2

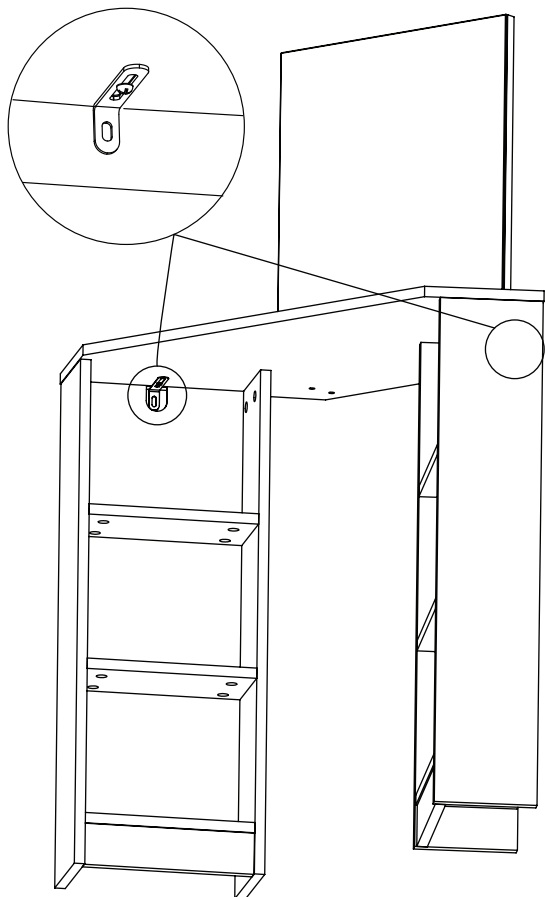
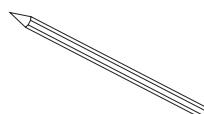
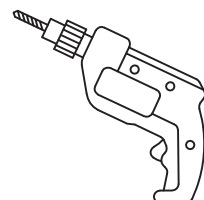
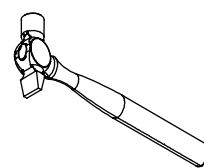
## STEP 10

**Warning:**  
Always ensure the area to be drilled is free from hidden electrical wires, water and gas pipes.

I. In the corner in which the dresser is to be used, place each side flat against the walls. From the underside of the top carefully mark the wall with a sharp pencil, in the dead-centre of the holes in the short legs of the metal Anti-tilt Brackets.

For this step:

**Tools required**



II. Carefully drill holes in the walls.

**Fittings required**

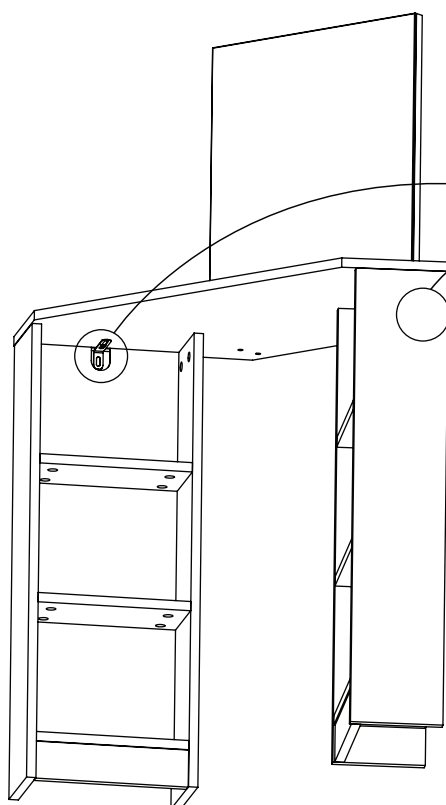
III. Choose a suitable wall fixing method.

## STEP 11

Choose a suitable screw for your wall fixing method.

For this step:

**Tools required**



To install, hold cabinet firmly against the wall.  
If necessary, loosen screw (E) a little and push each metal bracket (G) until it is touching the wall. Screw into the wall fixings making sure brackets are firm, finally re-tighten screw (E).

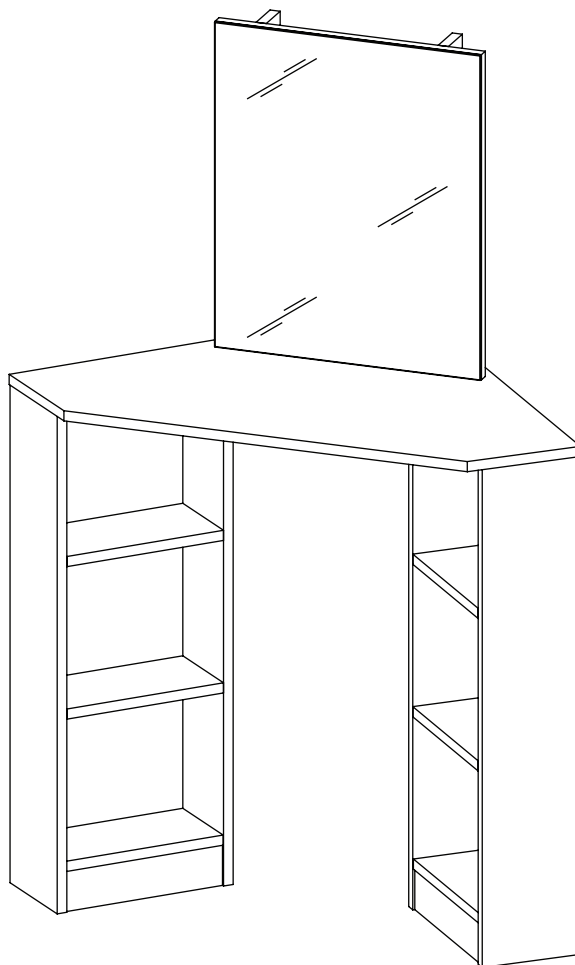
**Fittings required**

## Assembly Completed

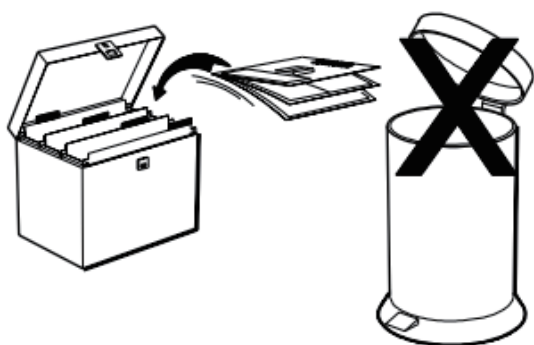
Your dressing table is now completely assembled.

Periodically check to ensure that the components are in their proper position, free from damage.

Also, make sure the connectors are tight and secure.



**Keep instructions for future reference**



Supplied by : GFW THE FURNITURE WAREHOUSE  
Waterside Distribution Centre  
Waterside Business Park  
Johnson Road  
Lancashire  
BB3 3RT