



Assembly Instructions

Thank you for
purchasing a
Birlea product.

For a chance to win a Love 2 Shop voucher simply post a picture of your new product on your preferred social channels tagging Birlea Furniture and using the hashtag **#ShareYourStyle** and **#Birlea**. One winner will be selected at random each month.

To view our full terms and conditions please visit www.birlea.com

Are you happy with your purchase?

Yes: That's great, we would love to hear more from you. Please leave us a review on our social media channels or Trustpilot. Your feedback will be greatly appreciated.

No: If for any reason there is something missing, indifferent or incorrect with your order, please contact the retailer you purchased the item from. We will work with the retailer to resolve your issue as quickly as possible.



MARLEY - King

Assembly Instructions

Before you begin...

1. Please check in your desired room of use.
2. Unpack all boxes and lay out each component on the floor.
3. Check your product for any damage that may be immediately obvious. If damage is identified, please contact your retailer.
4. Please read through these instructions thoroughly to ensure you have constructed your bed correctly.

For Care and Maintenance of your bed...

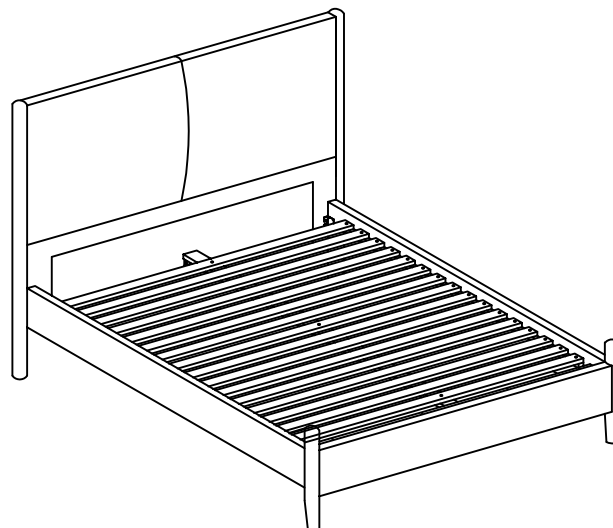
- Always assemble in your desired room of use.
- Always check all screw and fixings periodically to ensure they are still secure.
- Do not push or pull this bed as it will cause damage.
- Always lift this bed with a second person to prevent damage or injury.
- Keep any sharp objects away from this bed frame.

For your Health and Safety...

- Please don't not jump on this bed.
- Do not use this bed if you find missing, damaged or worn parts. Please contact your retailer.
- Please do not use this bed until you have fully secure all fixings.
- Please keep all small components away from children.
- Please ensure this bed is on an even, level surface.

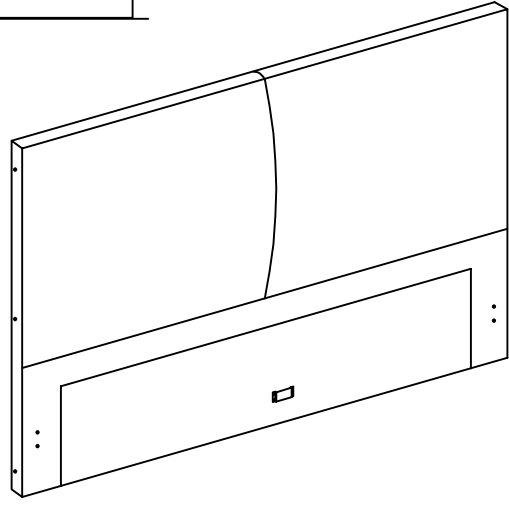
Also...

If your desired room of choice has a non-carpeted surface ensure please that you use some form of anti-slip protection and **do not** place directly on the wooden floor. This will prevent the bed from moving and therefore collapsing which will void your guarantee...

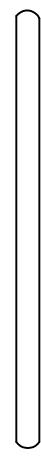




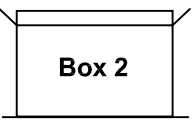
Box 1



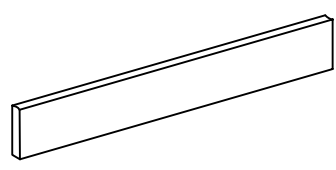
1.Headboard (x1)



4.Headboard Legs (x2)



Box 2



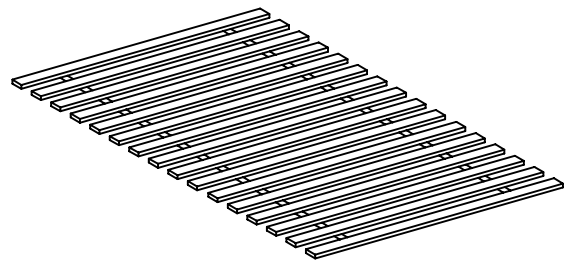
2.Footboard (x1)



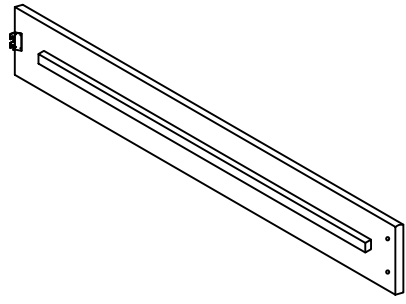
5. Footboard Legs (x2)



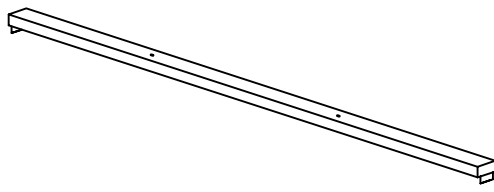
7.Support Legs (x2)



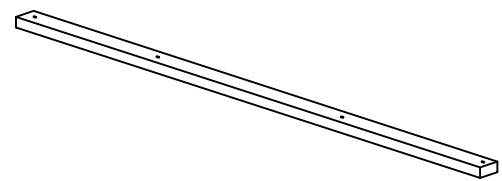
8.Slats (x16)



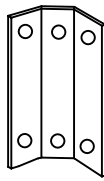
3.Siderail (L/R) (x2)



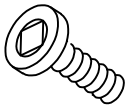
6.Centre Rail (x1)



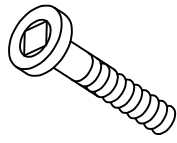
10.Top Slat (x1)



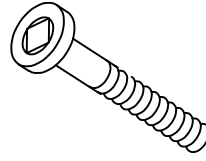
9.Footboard Bracket (x2)



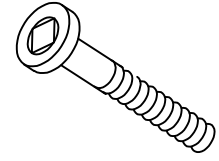
A. M8 x 20 mm JCB (x12)



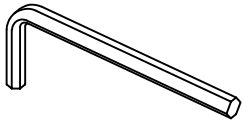
B. M6 x 30 mm JCB (x4)



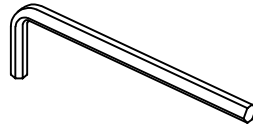
C. M6 x 40 mm JCB (x2)



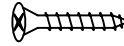
D. M6 x 50 mm JCB (x6)



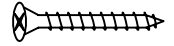
E. Allen Key M4 x 65 mm (x1)



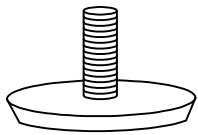
F. Allen Key M5 x 70 mm (x1)



G. M3.5 x 16 mm CSK (x2)



H. M4 x 32 mm CSK (x39)



I. Adjuster (x2)



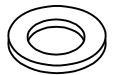
J. M6 Spring Washer (x10)



K. M6 Flat Washer (x10)



L. M8 Spring Washer (x8)

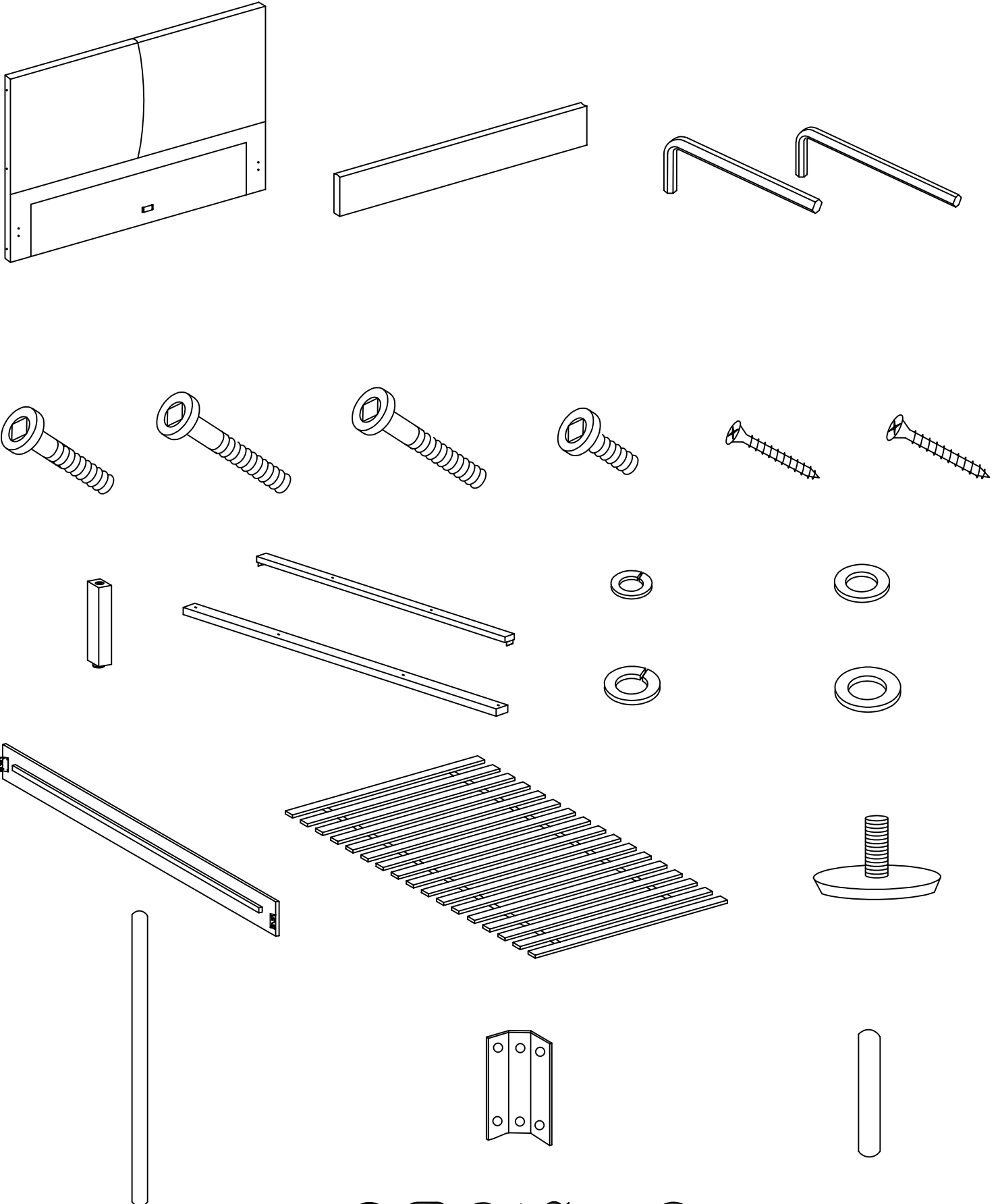


M. M8 Flat Washer (x8)

***You will need a screwdriver (not provided)**

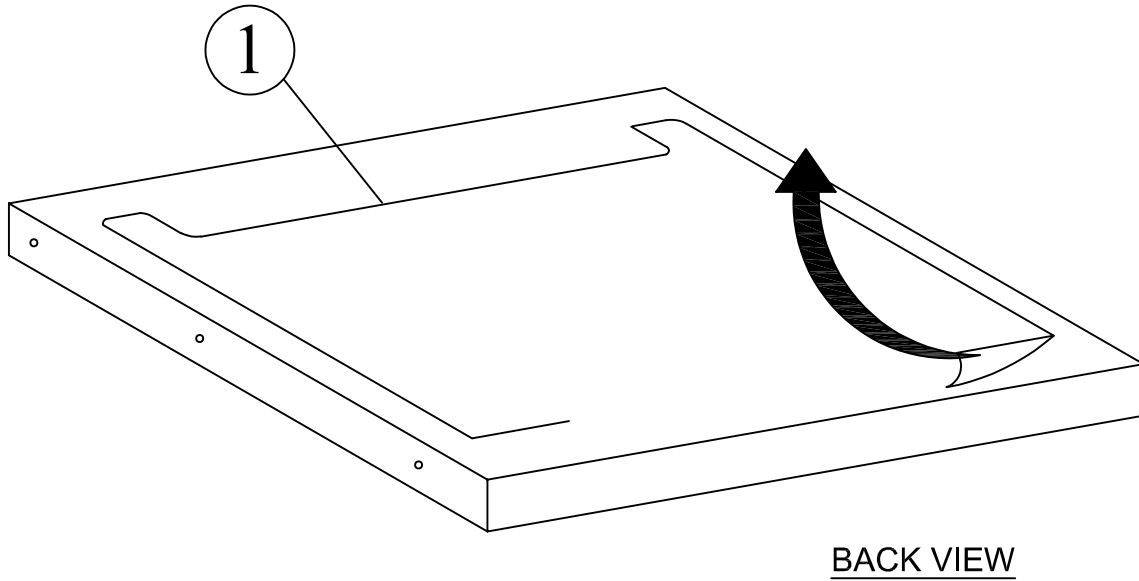
Step 1

Unpack all components from the boxes and check you are not missing anything. Please check these against the list on page 3 & 4. Should you identify any missing components, please contact the retailer you purchased the bed from.



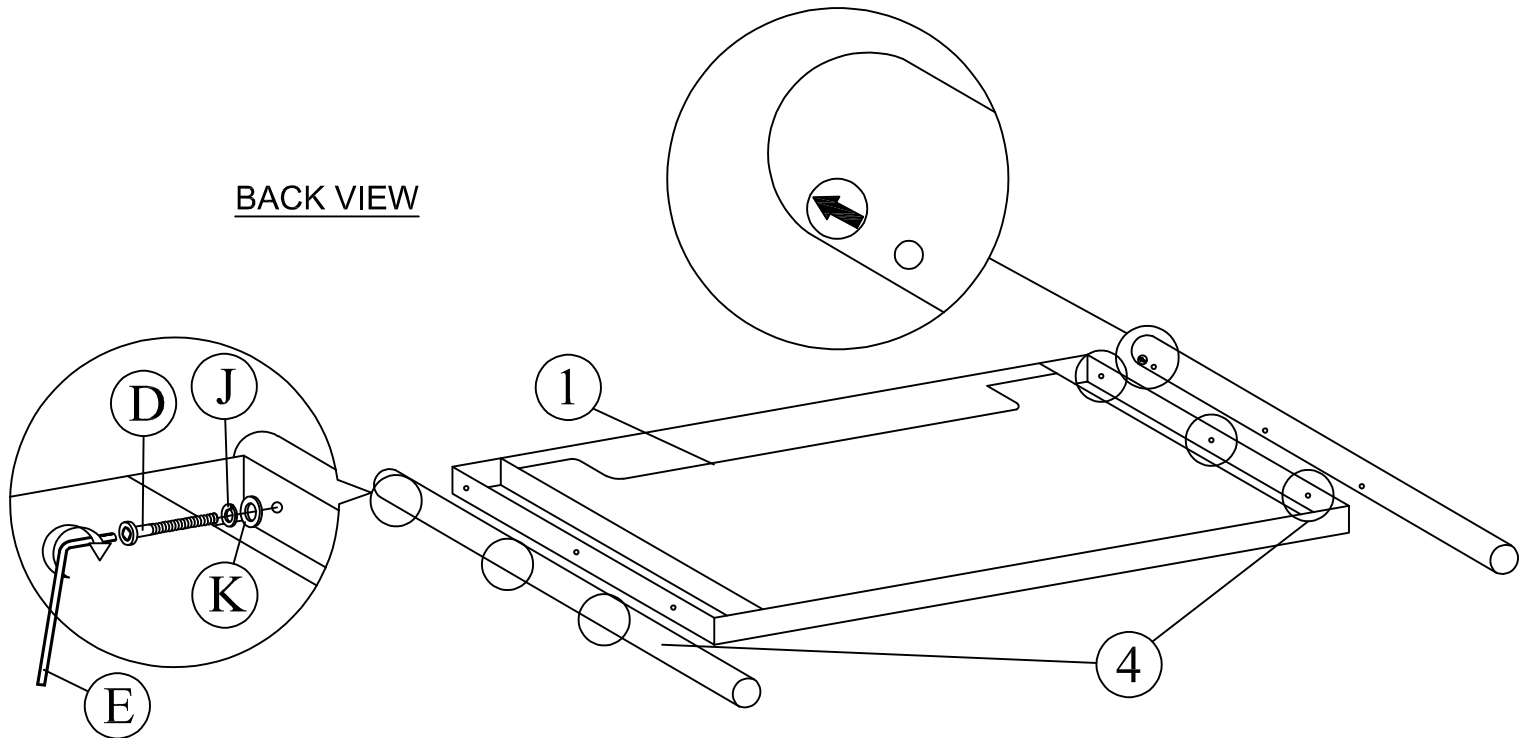
Step 2

Unzip the black non-woven fabric to take out the headboard legs.



Step 3

Attach the 2x headboard legs (4) to headboard (1) using 6x M6 x 50mm JCBC (D), 6x M6 Spring Washer (J) and 6x M6 Flat Washer (K) with M4 allen key (E). Tighten the legs.

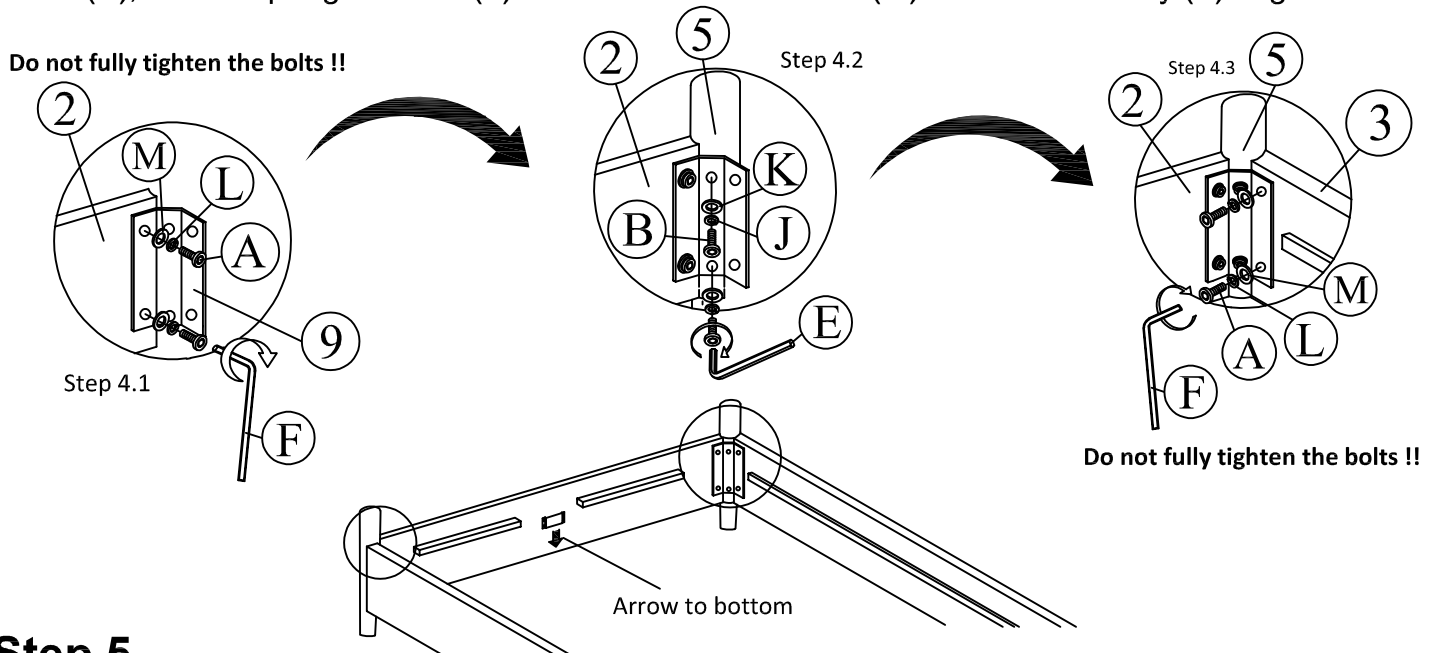


DO NOT use any power tools as this may damage the frame and will invalidate any claim.



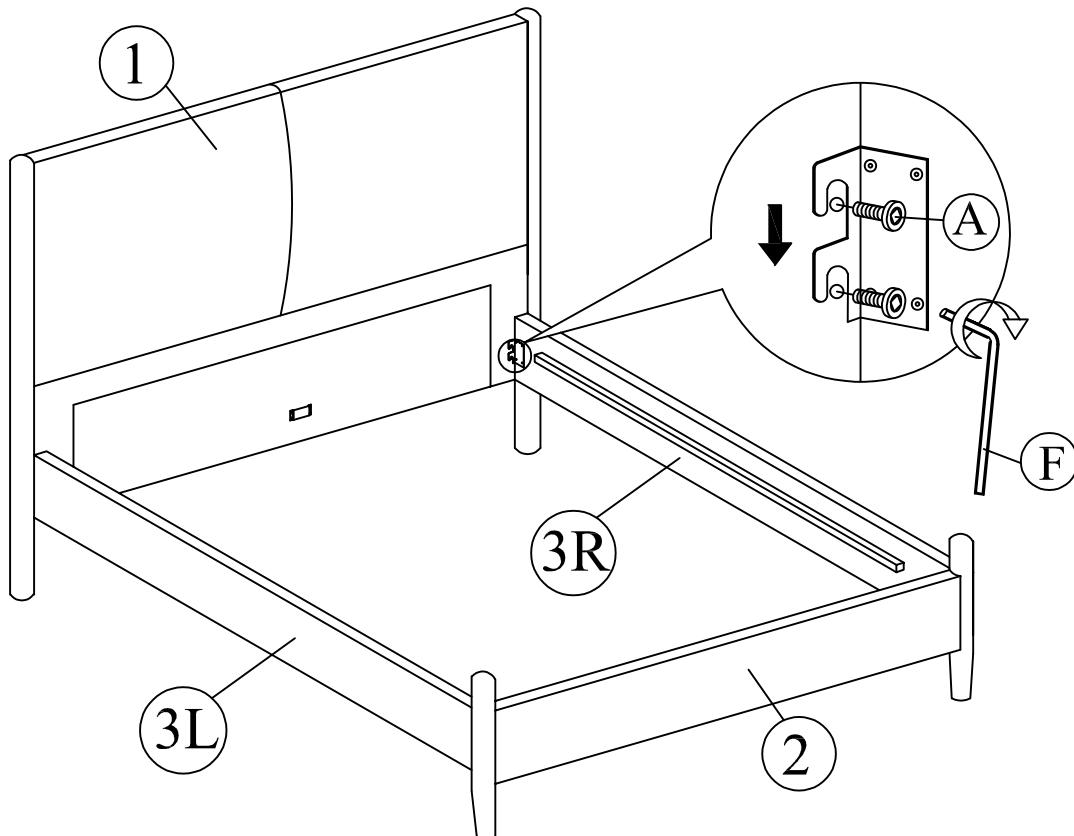
Step 4

Attach the 2x footboard bracket (9) to the footboard (2) using 2x M8 x 20mm JCBB (A), 2x M8 Spring Washer (L) and 2x M8 Flat Washer (M) with M5 allen key (F). Then, install the 2x footboard bracket (9) to 2x footboard legs (5) using 2x M6 x 30mm JCBC (B), 2x M6 Spring Washer (J) and 2x M6 Flat Washer (K) with M4 allen key (E). Third, install the 2x footboard bracket (9) to 2x side rail (3) using 2x M8 x 20mm JCBB (A), 2x M8 Spring Washer (L) and 2x M8 Flat Washer (M) with M5 allen key (F). Tighten the bolts.



Step 5

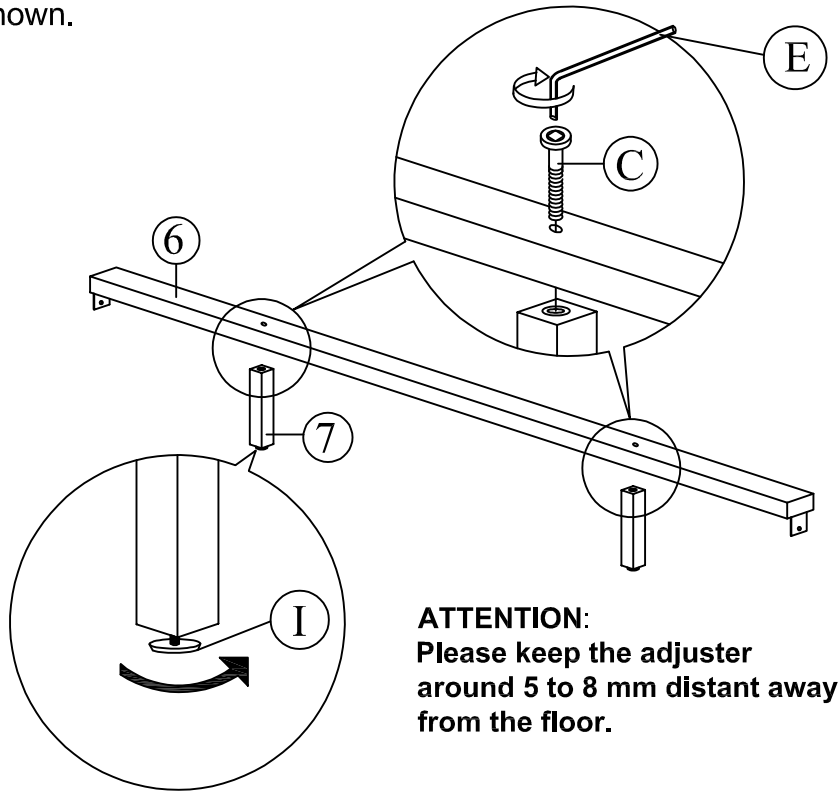
Attach 2x side rail (3L/3R) to headboard (1) and footboard (2) using 4x M8 x 20mm JCBB (A) with M5 allen key (F).



DO NOT use any power tools as this may damage the frame and will invalidate any claim.

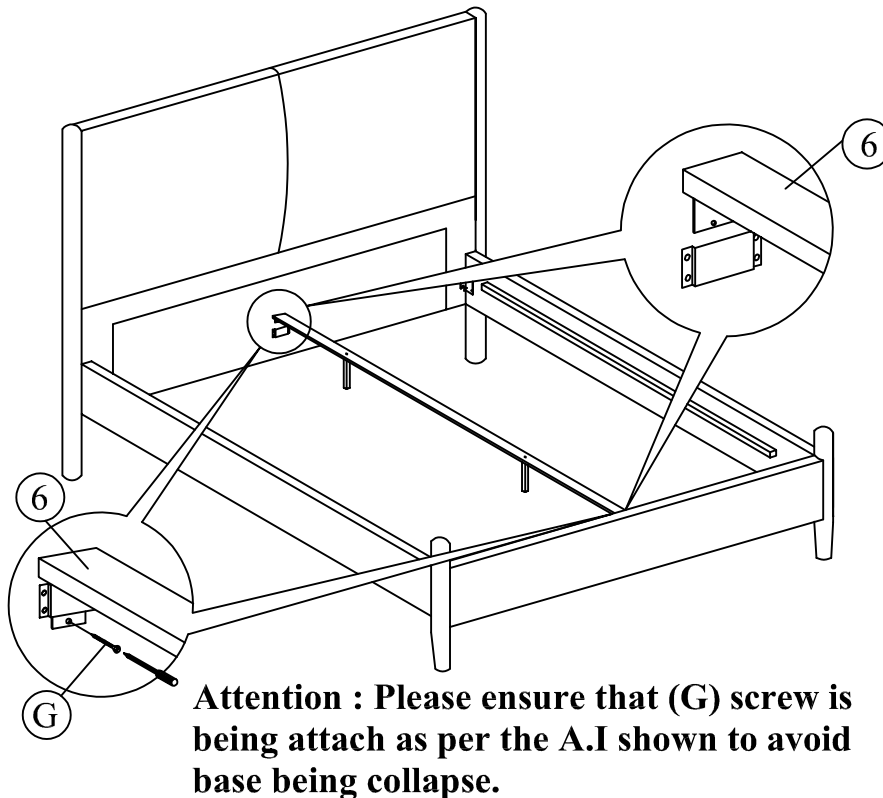
Step 6

Attach the 2x support legs (7) to the centre rail (6) of the bed using 2x M6 x 40mm JCBC (C) with M4 allen key (E) as shown.



Step 7

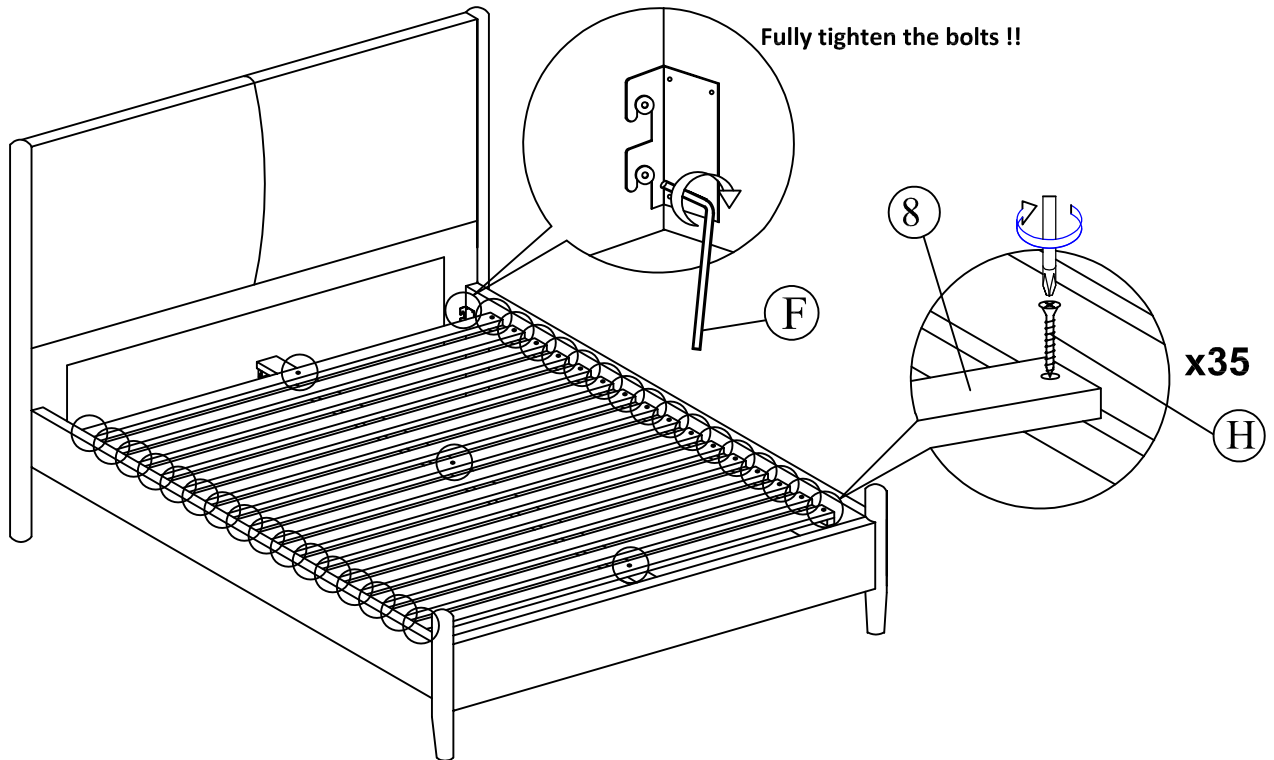
Slide the centre rail (6) to the headboard (1) and footboard (2). Tighten 2x M3.5 x 16mm CSK (G) using screw driver (not included) to the headboard (1) and footboard (2).



DO NOT use any power tools as this may damage the frame and will invalidate any claim.

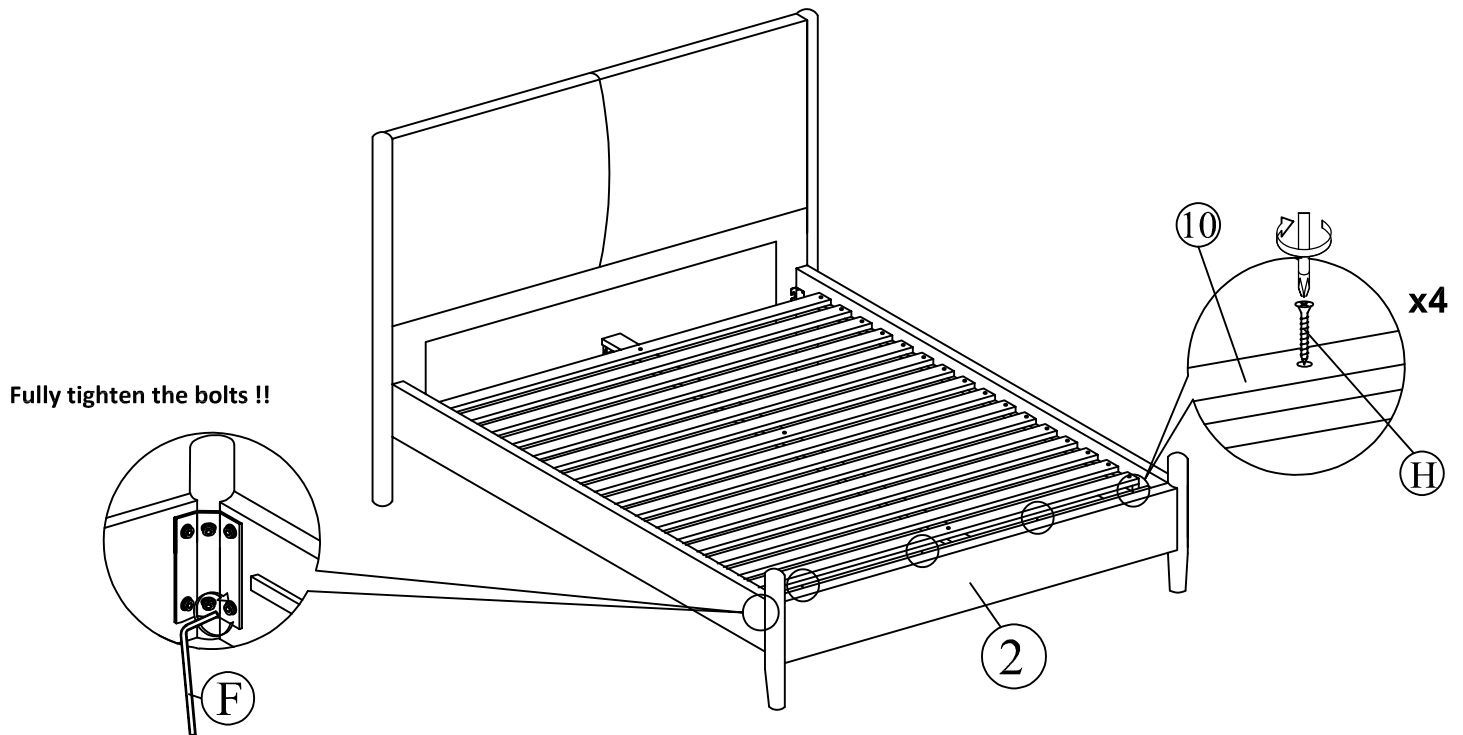
Step 8

Lay the 16x Slat (8) onto the side rail support wood and the centre rail (6) using 35x M4 x 32mm CSK (H) with screw driver (not included).



Step 9

Lay the Top Slat (10) onto the support wood on Footboard (2) using 4x M4 x 32mm CSK (H) with screw driver (not included).



DO NOT use any power tools as this may damage the frame and will invalidate any claim.