

Birlea®

Assembly Instructions

Thank you for
purchasing a
Birlea product

For a chance to win a Love2Shop voucher simply post a picture of your new product on your preferred social channels tagging Birlea Furniture. One winner will be selected at random each month.

*Terms & conditions may apply.

Are you happy with your purchase?

Yes: That's great, we would love to hear more from you. Please leave us a review on our Trustpilot link on the QR code here. Your feedback will be greatly appreciated.



No: If for any reason there is something missing, indifferent or incorrect with your order, please contact the retailer that you purchased your item from.

Please note that this items build time is around 30 mins.



www.birlea.com

ASSEMBLY INSTRUCTION

Ezra/Emmi king bed

IMPORTANT: READ THESE INSTRUCTIONS CAREFULLY BEFORE ASSEMBLING OR USING BED FRAME.

PLEASE KEEP THESE INSTRUCTIONS FOR FUTURE REFERENCE.

HEALTH & SAFETY:

DO NOT climb on this bed frame.

DO NOT hang on this bed frame.

DO NOT jump on this bed frame.

DO NOT use this bed frame if any parts are missing, damaged or worn.

DO NOT use this bed frame unless all fixings are secured.

Please keep small parts out of reach of children.

Always use on a level, even surface.

WARNING: If this bed is placed on a non-carpeted floor you must place some protection under all legs to stop the bed frame from moving. If this is not adhered to there is no guarantee if the bed frame collapses.

CARE & MAINTENANCE:

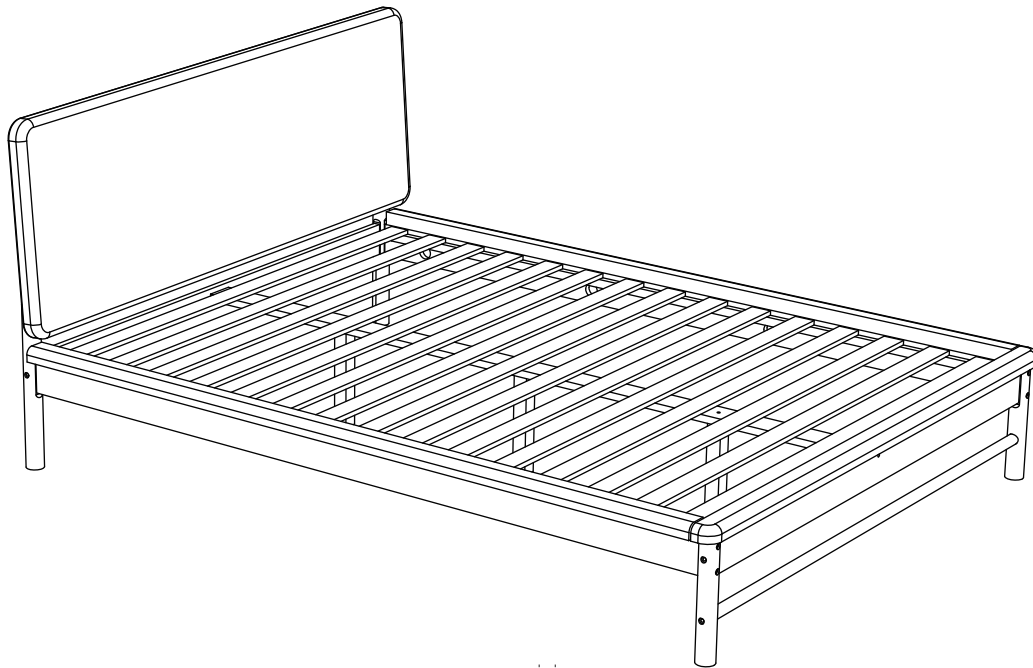
Assemble in the room of use.

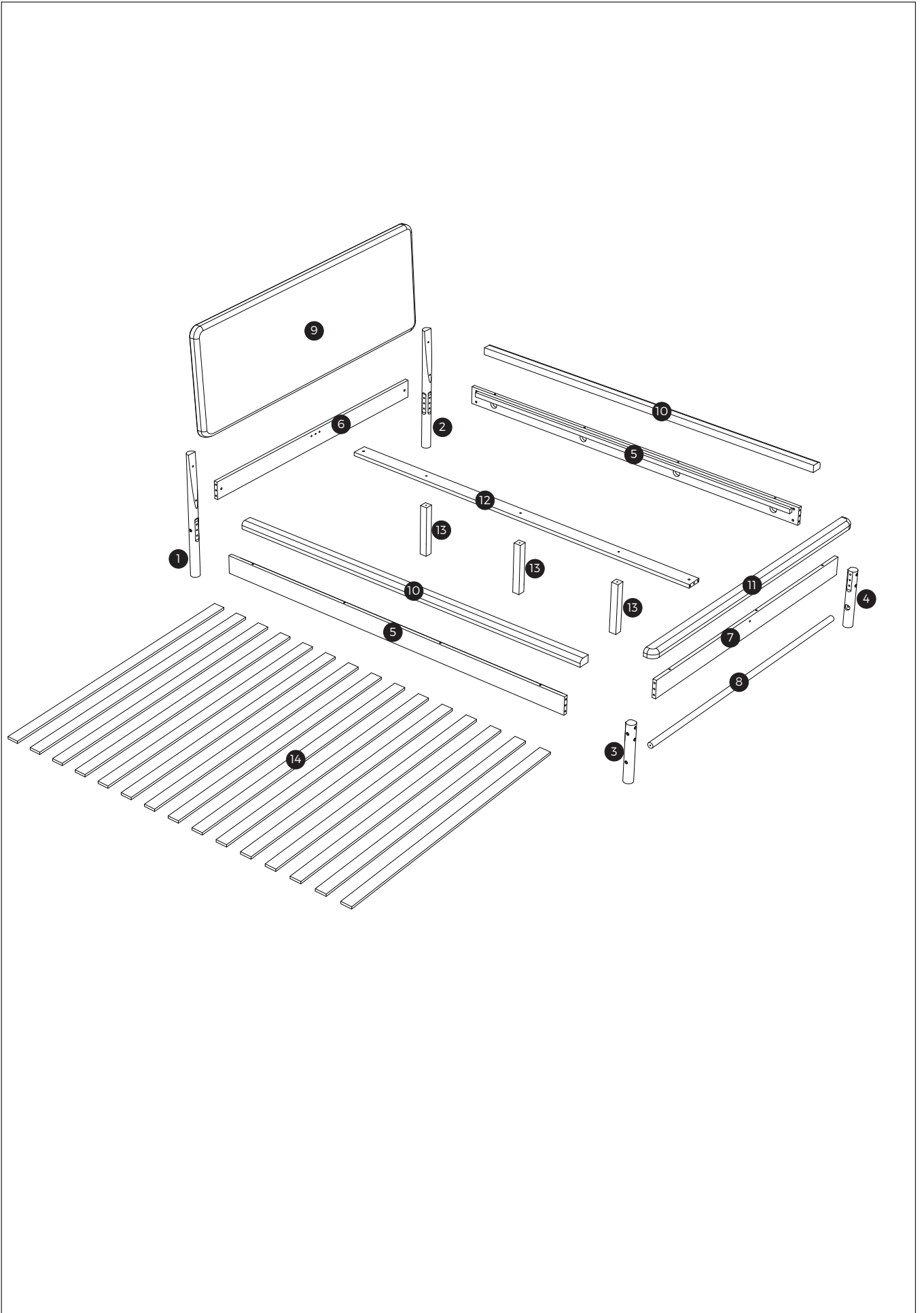
Periodically check all screws & fixings to ensure they are secure.

DO NOT push the bed frame as this will damage the legs.

Always lift the bed with two people to reposition.

Keep any sharp objects away from the frame.

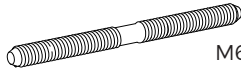



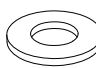

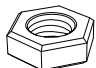


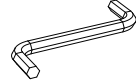

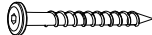
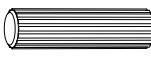





Parts List

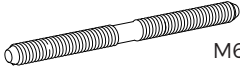
PART	DESCIRPTION	QTY	BOX
1	HEADBOARD LEG(LEFT)	1	2
2	HEADBOARD LEG(RIGHT)	1	2
3	FOOTEND LEG(LEFT)	1	2
4	FOOTEND LEG(RIGHT)	1	2
5	SIDERAILS	2	2
6	HEADBOARD BOTTOM PANEL	1	1
7	FOOTBOARD	1	1
8	FOOTEND BOTTOM PANEL	1	1
9	HEADBOARD	1	1
10	SOFT DECORATION SIDERAILS	2	2
11	FOOTEND UPPER PANEL	1	1
12	CENTRE RAIL	1	2
13	SUPPORT LEG	3	1
14	SLATS	1	1

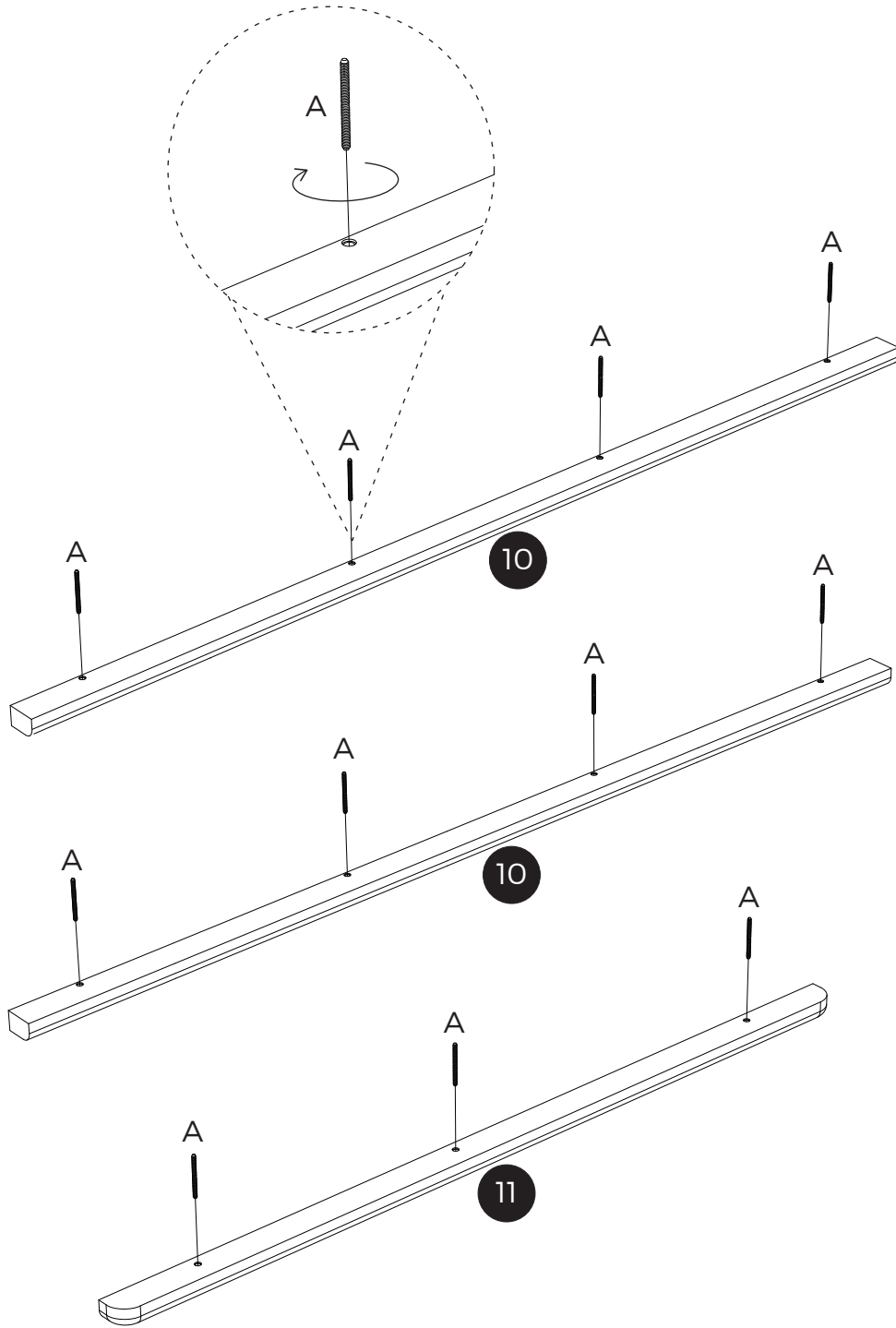
HARDWARE (IN BOX1)

A	 M6x80mm	11	H	 M6x80mm	12
B		11	J	 M6x60mm	04
C		11	K	 M6x45mm	02
D		11	L	 Φ 4x30mm	30
E		01	M		01
F		14	N	 Φ 6x70mm	05
G	 Φ 8x30mm	16	P		06



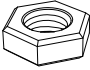


**You will need a screwdriver and a small mallet (not provided).

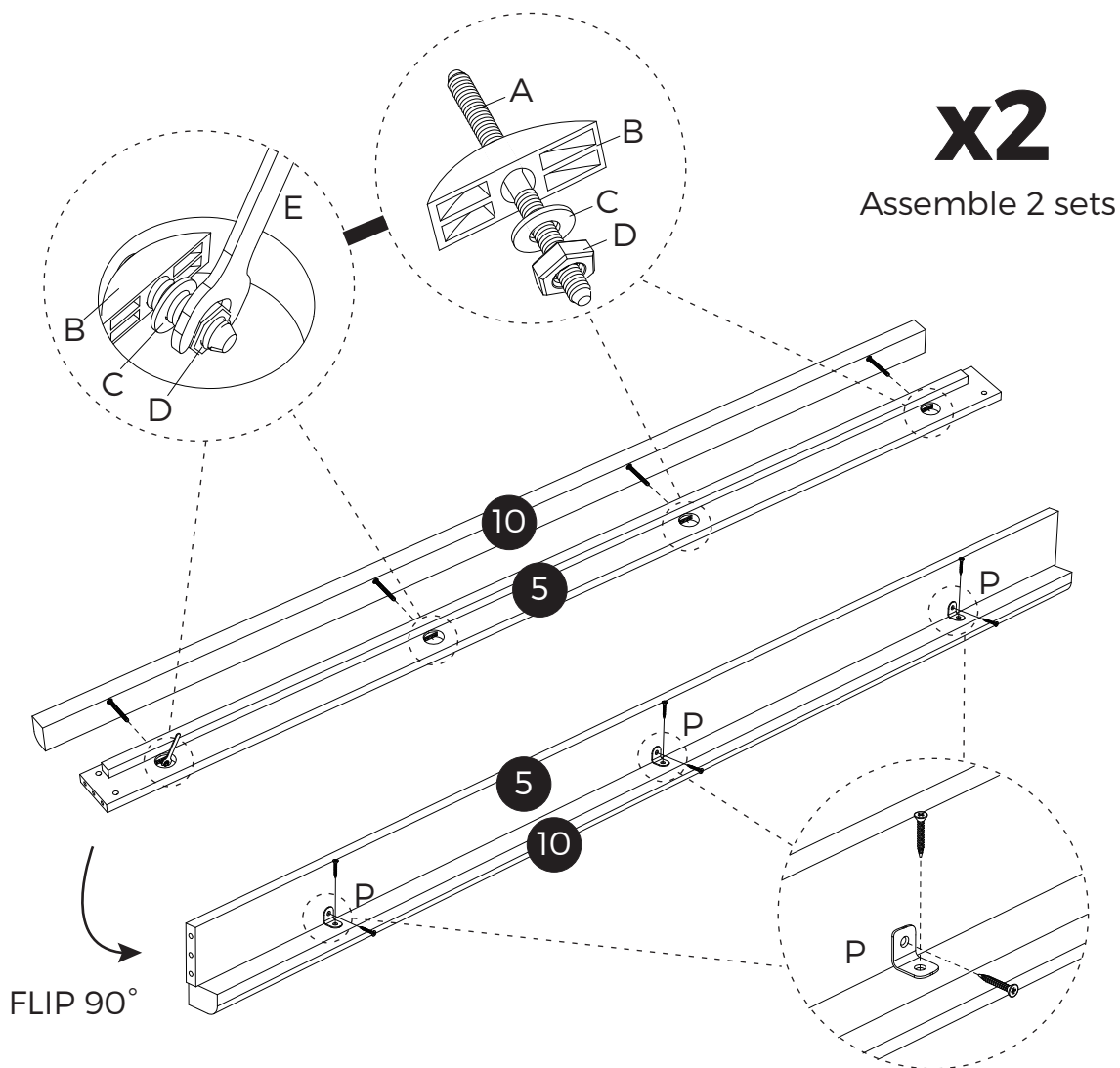
01

A	 M6x80mm	11
---	--	----


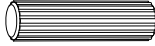
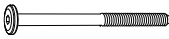



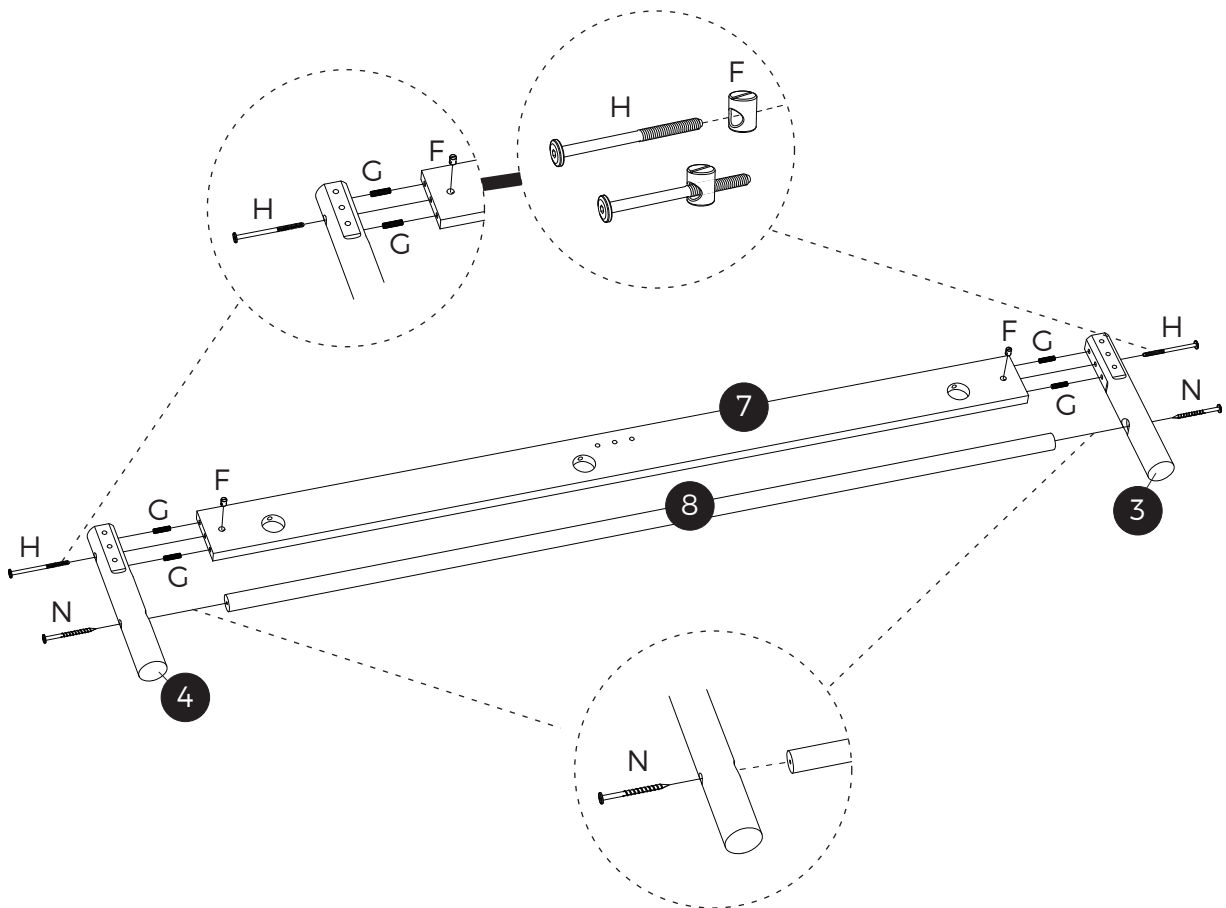
02

B		08
C		08
D		08
E		01
P		06



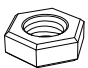



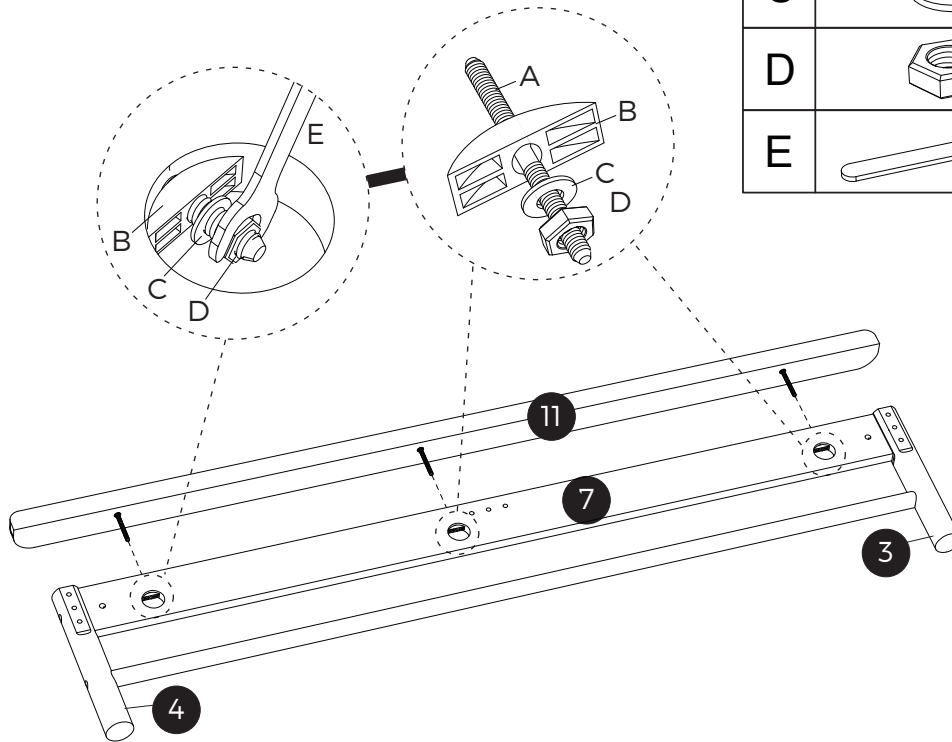
03

F			02
G		Ø8x30mm	04
H		M6x80mm	02
N		Ø6x70mm	02


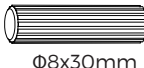
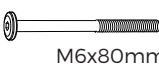


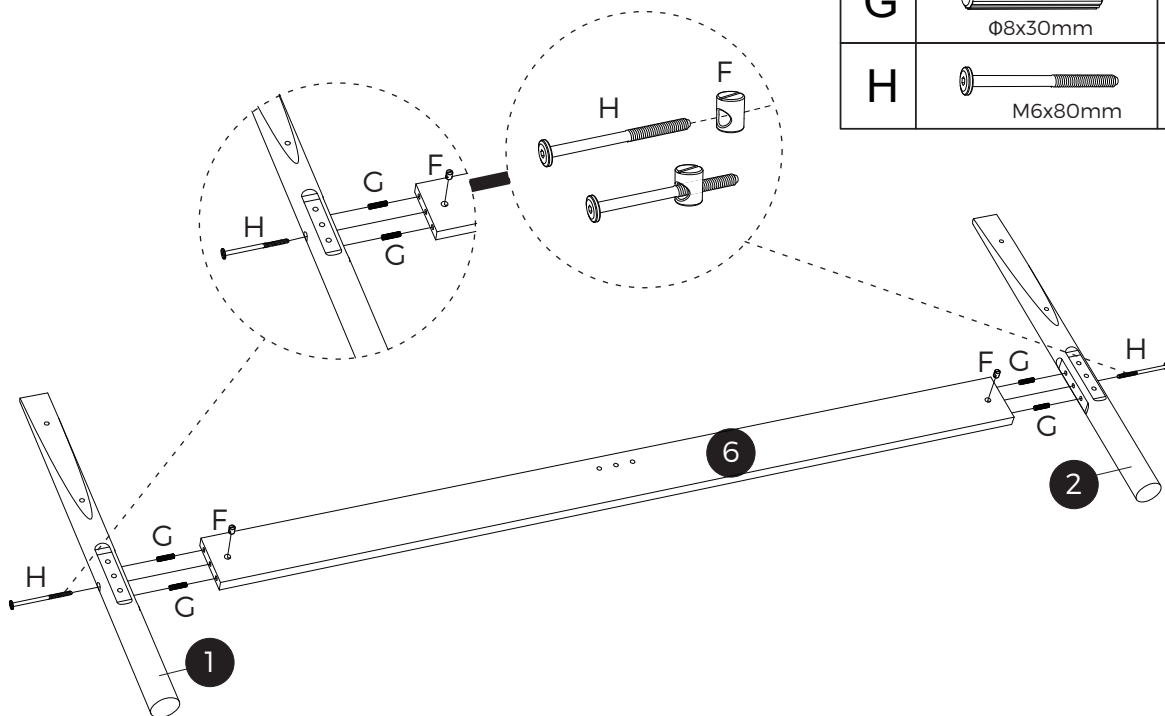
04

B		03
C		03
D		03
E		01





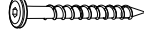


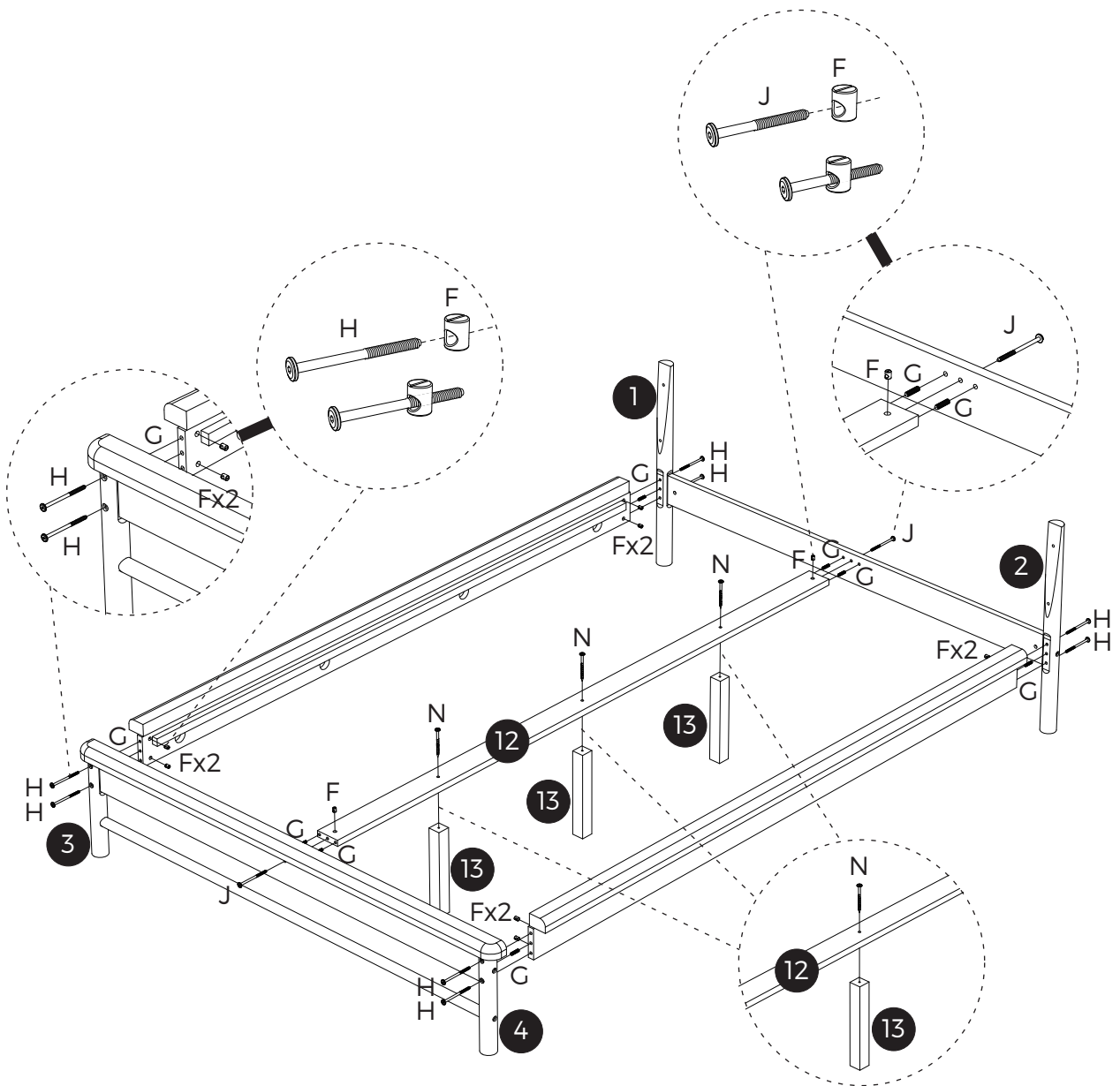
05

F		02
G	 Φ8x30mm	04
H	 M6x80mm	02





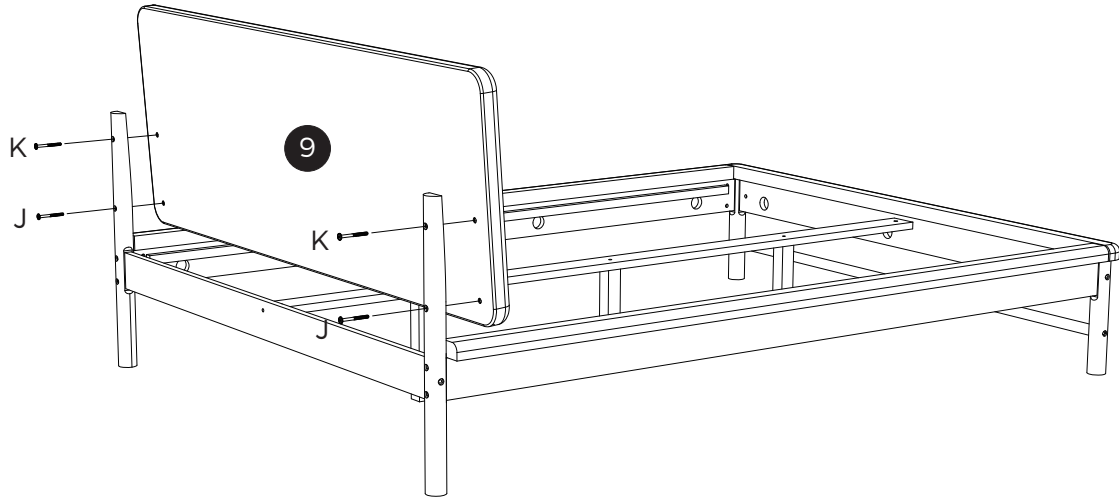
06

F			10
G		∅8x30mm	08
H		M6x80mm	08
J		M6x60mm	02
N		∅6x70mm	03

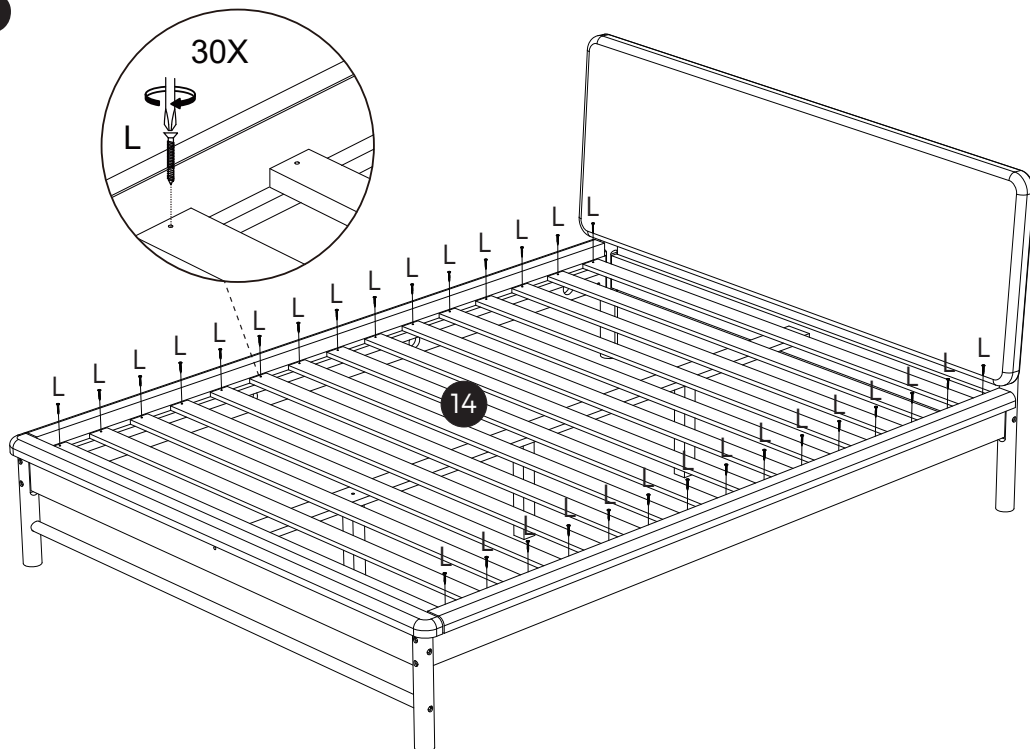


07

J		M6x60mm	02
K		M6x45mm	02



08



WARNING:
Press the middle of bed sides
and tighten the screw first.

L		Ø4x30mm	30
---	--	---------	----

Additional Information:

- For complete product information, images and dimension diagrams please visit the website www.birlea.com
- If you have any issues with your item please contact the retailer directly you purchased it from who will be able to resolve any issues with Birlea.
- Why don't you send us photos of your assembled furniture to info@birlea.com to be shared in our #birleahome feature on Instagram.