



## Assembly Instructions

Thank you for  
purchasing a  
**Birlea** product.

For a chance to win a Love 2 Shop voucher simply post a picture of your new product on your preferred social channels tagging Birlea Furniture and using the hashtag **#ShareYourStyle** and **#Birlea**. One winner will be selected at random each month.

To view our full terms and conditions please visit [www.birlea.com](http://www.birlea.com)

### Are you happy with your purchase?

**Yes:** That's great, we would love to hear more from you. Please leave us a review on our social media channels or Trustpilot. Your feedback will be greatly appreciated.

**No:** If for any reason there is something missing, indifferent or incorrect with your order, please contact the retailer you purchased the item from. We will work with the retailer to resolve your issue as quickly as possible.



# ARABELLA - Double

## Assembly Instructions

### Before you begin...

1. Please check in your desired room of use.
2. Unpack all boxes and lay out each component on the floor.
3. Check your product for any damage that may be immediately obvious. If damage is identified, please contact your retailer.
4. Please read through these instructions thoroughly to ensure you have constructed your bed correctly.

### For Care and Maintenance of your bed...

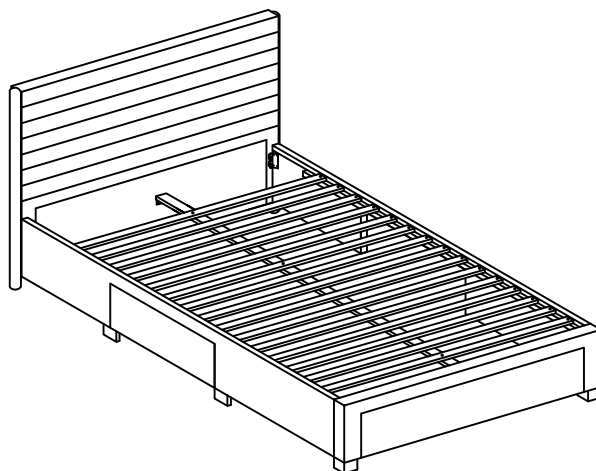
- Always assemble in your desired room of use.
- Always check all screw and fixings periodically to ensure they are still secure.
- Do not push or pull this bed as it will cause damage.
- Always lift this bed with a second person to prevent damage or injury.
- Keep any sharp objects away from this bed frame.

### For your Health and Safety...

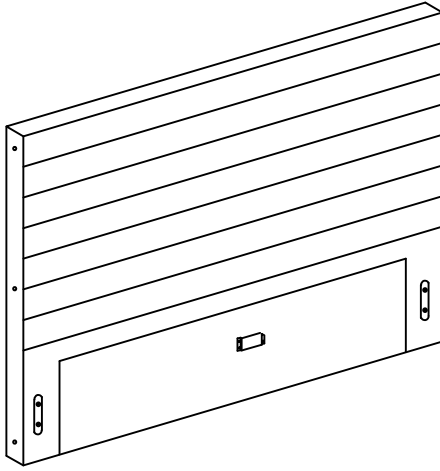
- Please don't not jump on this bed.
- Do not use this bed if you find missing, damaged or worn parts. Please contact your retailer.
- Please do not use this bed until you have fully secure all fixings.
- Please keep all small components away from children.
- Please ensure this bed is on an even, level surface.

### Also...

If your desired room of choice has a non-carpeted surface ensure please that you use some form of anti-slip protection and **do not** place directly on the wooden floor. This will prevent the bed from moving and therefore collapsing which will void your guarantee...



**Box 1**

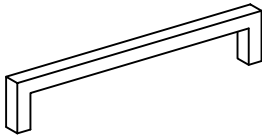


1.Headboard (x1)

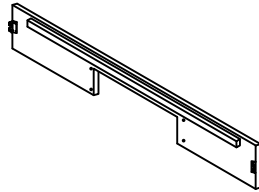


5.Headboard Legs (x2)

**Box 2**



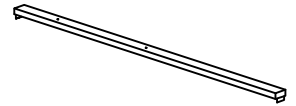
2.Footboard (x1)



3.Side Rail (x2)



4.Slats (x15)



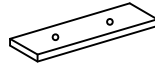
6.Centre Rail (x1)



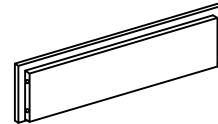
7.Support Leg (x2)



8.Legs (x2)



9.Side Rail Support (x4)



10.Footboard Front Panel (x1)

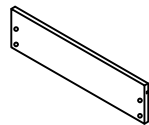


14.Side Rail Front Panel (x2)

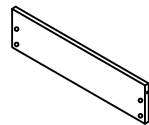
**Box 3**



11.Footboard Back Panel (x1)



12 (L).Footboard & Side Rail Side Panel (x3)



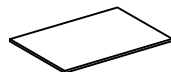
12 (R).Footboard & Side Rail Side Panel (x3)



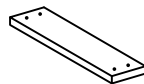
13.Footboard Bottom Panel (x1)



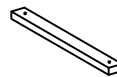
15.Side Rail Back Panel (x2)



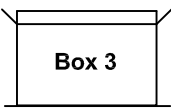
16.Side Rail Bottom Panel (x2)



17.Bottom Panel Big Support (x7)



18.Bottom Panel Small Support (x4)



Box 3



I. Roller (x14)



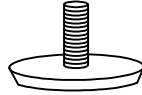
All fitting are stored within Box 2



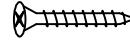
A. Wood Dowel (x8)



B. M6 x 40 mm JCBC (x2)



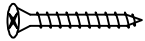
C. Adjuster (x2)



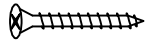
D. M3.5 x 16 mm CSK (x56+1)



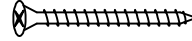
E. M6 x 50 mm JCBC (x6)



F. M4 x 28 mm CSK (x8)



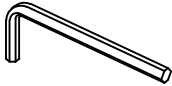
G. M4 x 32 mm CSK (x69)



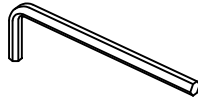
H. M4 x 50 mm CSK (x28)



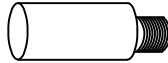
J. Power Nail  $\frac{6}{8}$  (x24)



K. Allen Key  
M4 x 65 mm (x1)



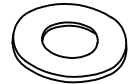
L. Allen Key  
M5 x 70 mm (x1)



M. Metal Stopper (x6)



N. Spring Washer (x6)

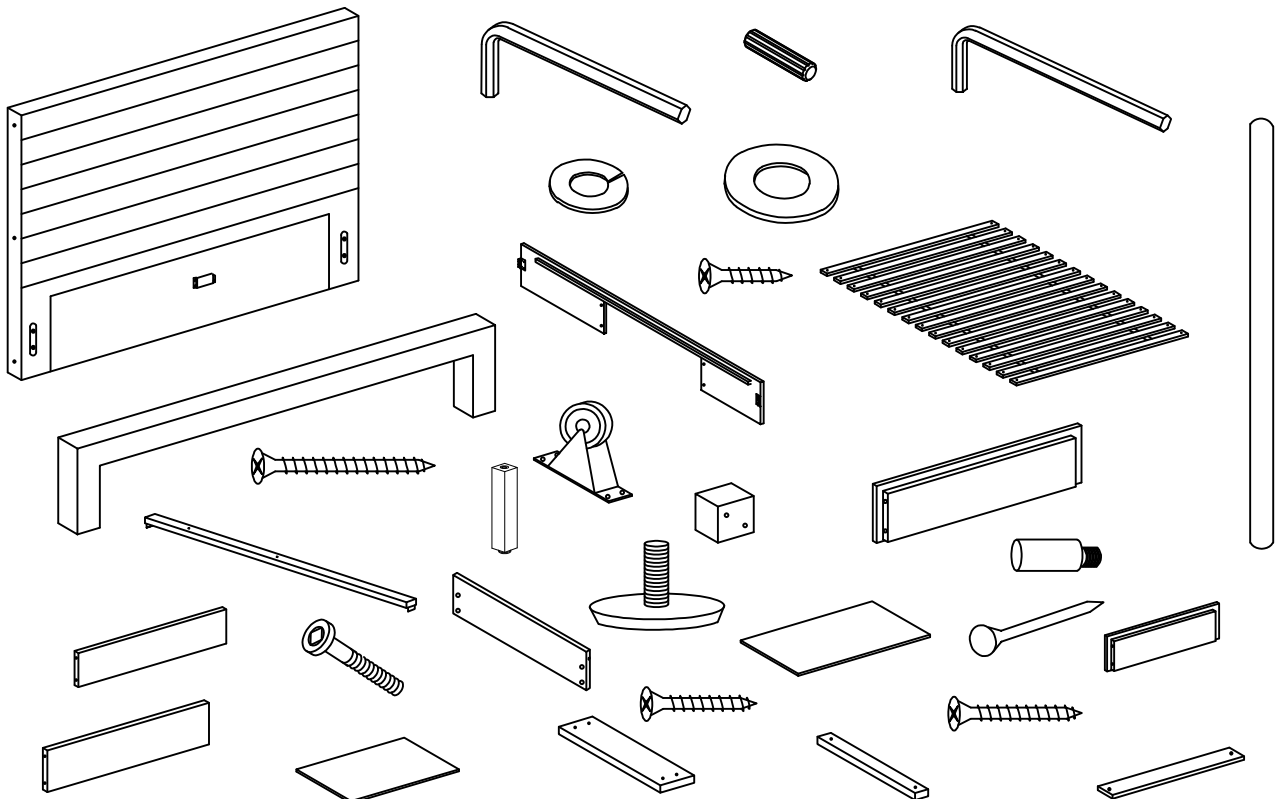


O. Flat Washer (x6)

**\*You will need a screwdriver (not provided)**

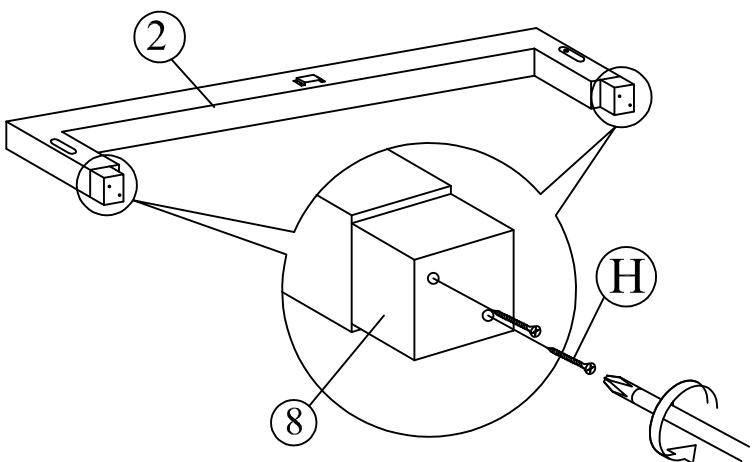
## Step 1

Unpack all components from the boxes and check you are not missing anything. Please check these against the list on page 3 & 4. Should you identify any missing components, please contact the retailer you purchased the bed from.



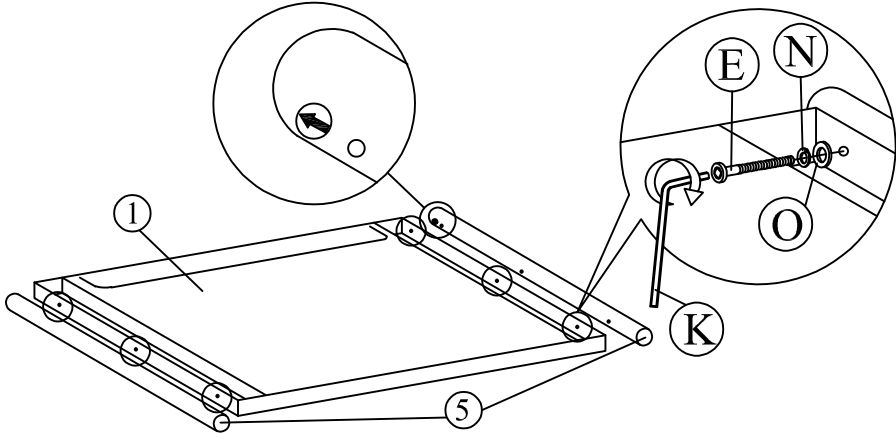
## Step 2

Tighten the 2x legs (8) to the footboard (2) using 4x M4 x 50mm CSK (H) as shown.



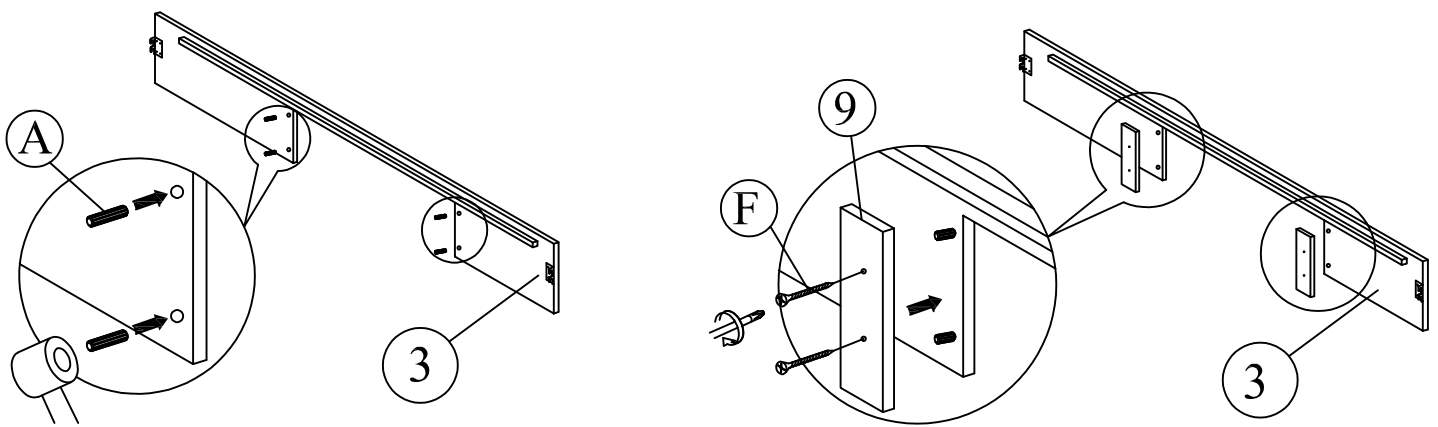
## Step 3

Attach the 2x headboard legs (5) to the headboard (1) using 6x JCBC M6 x 50mm (E), 6 x SpringWasher (N) and 6 x Flat Washer (O) using Allen Key (K).



## Step 4

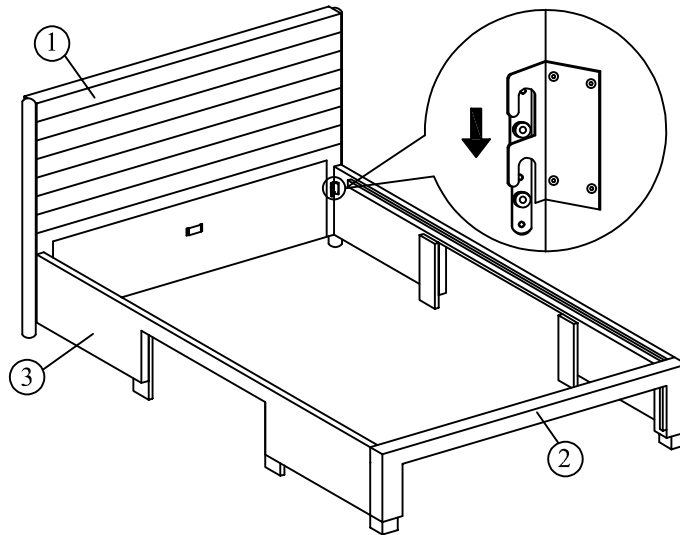
Insert 8x wood dowel (A) into 2x side rail (3). Attach the 4x side rail support (9) to the 2x side rail (3) with 8x M4 x 28mm CSK (F) using screw driver (not included).



**DO NOT use any power tools as this may damage the frame and will invalidate any claim.**

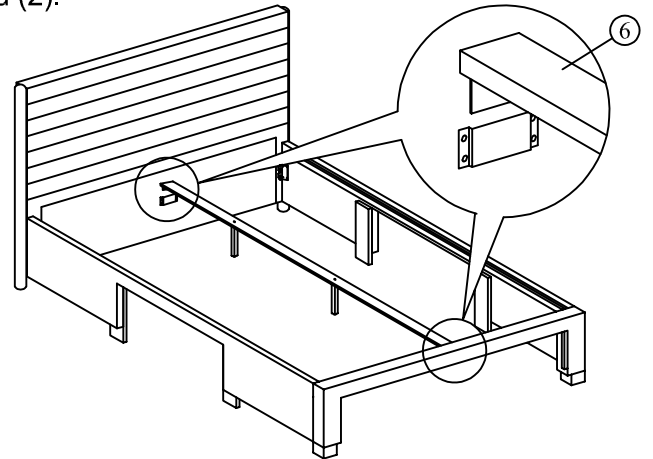
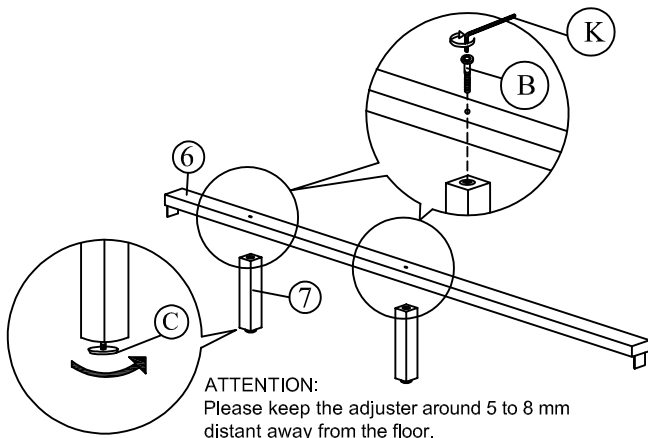
## Step 5

Attach 2x side rail (3) to headboard (1) and footboard (2) by loosening the bolts and pushing the bracket down to fit.



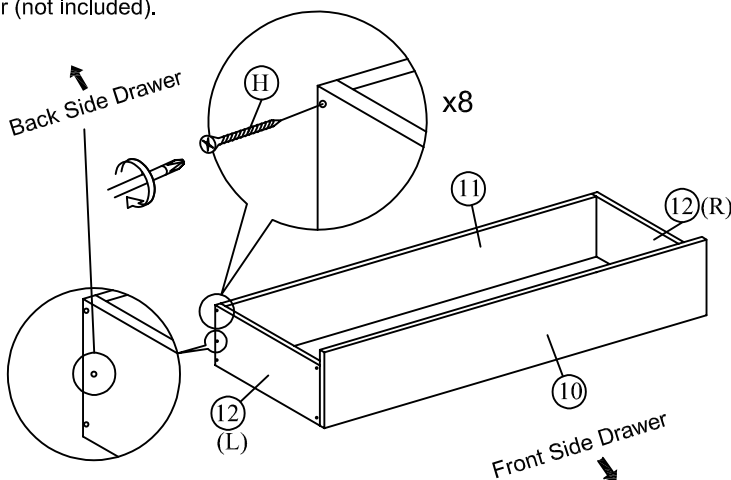
## Step 6

Attach the 2x support legs (7) to the centre rail (6) of the bed using 2x JCBC M6 x 40mm (B) with M4 allen key (K) as shown. Slide the center rail (6) to the headboard (1) and footboard (2).



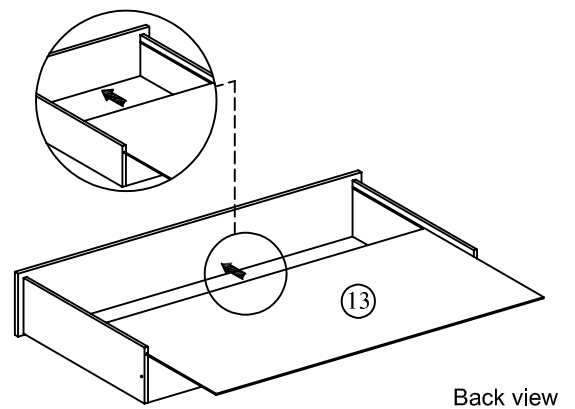
## Step 7

Tighten the 2x Footboard Side Panel (12) to the 1x Footboard Front Panel (10) and 1x Footboard Back Panel (11) with 8x M4 x 50 mm CSK (H) using screw driver (not included).



## Step 8

Slide the 1x Footboard Bottom Panel (13) to the set up drawer.

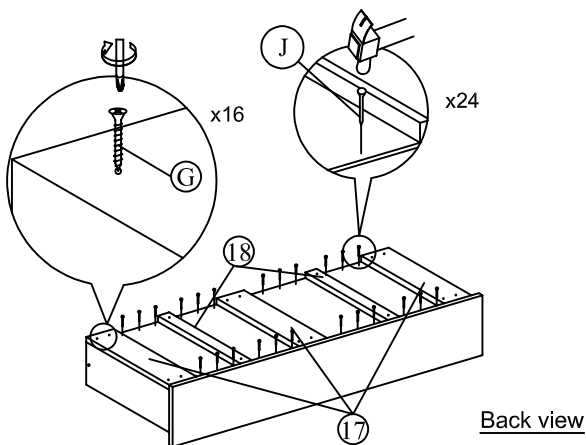


**DO NOT use any power tools as this may damage the frame and will invalidate any claim.**



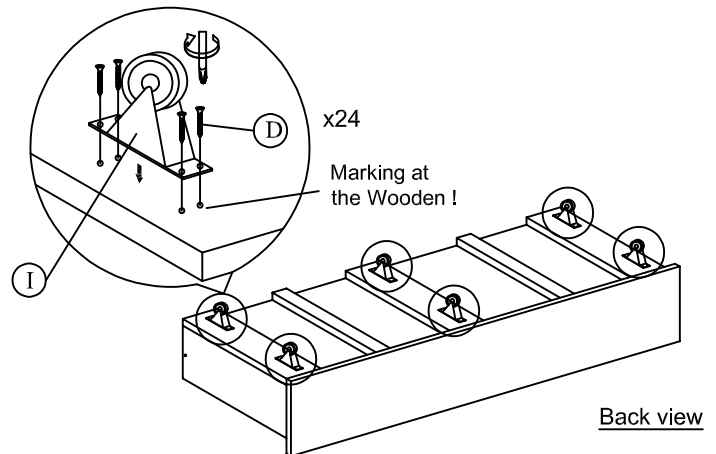
## Step 9

Attach the 3x bottom panel big support (17) and 2x Bottom panel small support (18) using 16x M4 x 32mm CSK (G) and a screw driver (not included). Then secure the 1x footboard bottom panel (13) using 24 x Nail (J) and a hammer (not included).



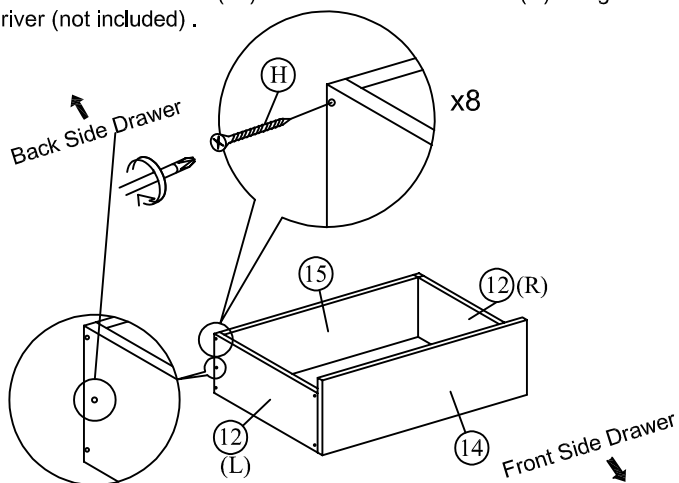
## Step 10

Tighten the 6x roller (I) with 24x M3.5 x 16 mm CSK (D) using screw driver (not included).



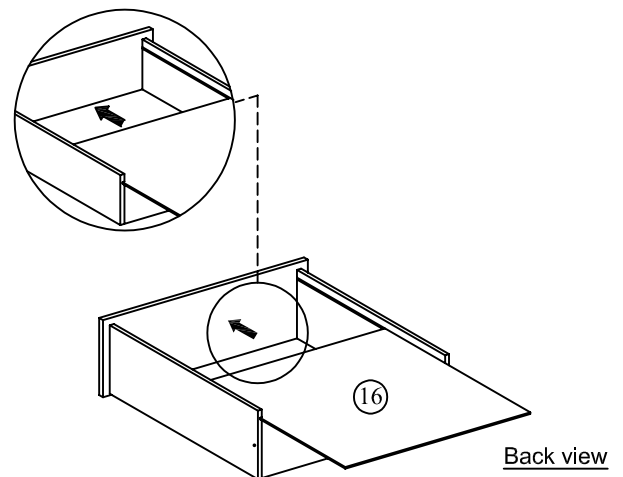
## Step 11

Tighten the 2x Side Rail Side panel (12) to the 1x Side Rail Front Panel (14) and 1x Side Rail Back Panel (15) with 8x M4 x 50 mm CSK (H) using screwdriver (not included).



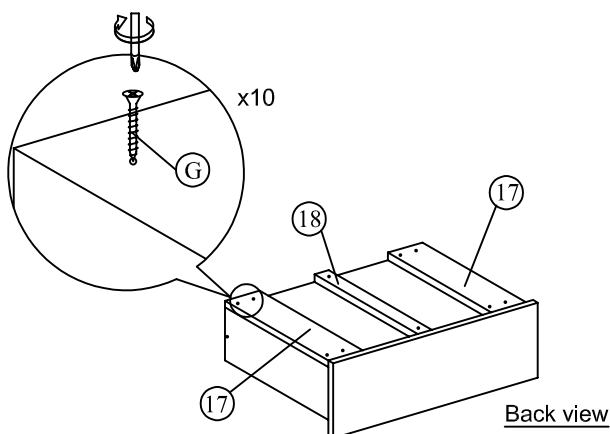
## Step 12

Slide the 1x Side Rail Bottom Panel (16) to the set up drawer.



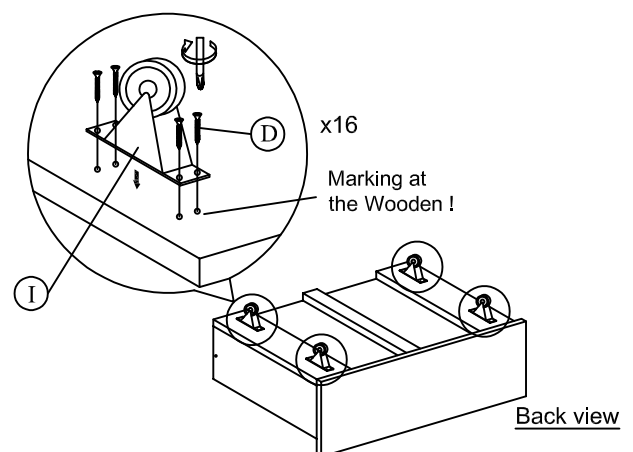
## Step 13

Attach the 2x bottom panel big support (17) And 1x Bottom panel small support (18) using 10x M4 x 32mm CSK (G) and a screw driver (not included).



## Step 14

Tighten the 4x Roller (I) with 16x M3.5 x 16 mm CSK (D) using screw driver (not included).

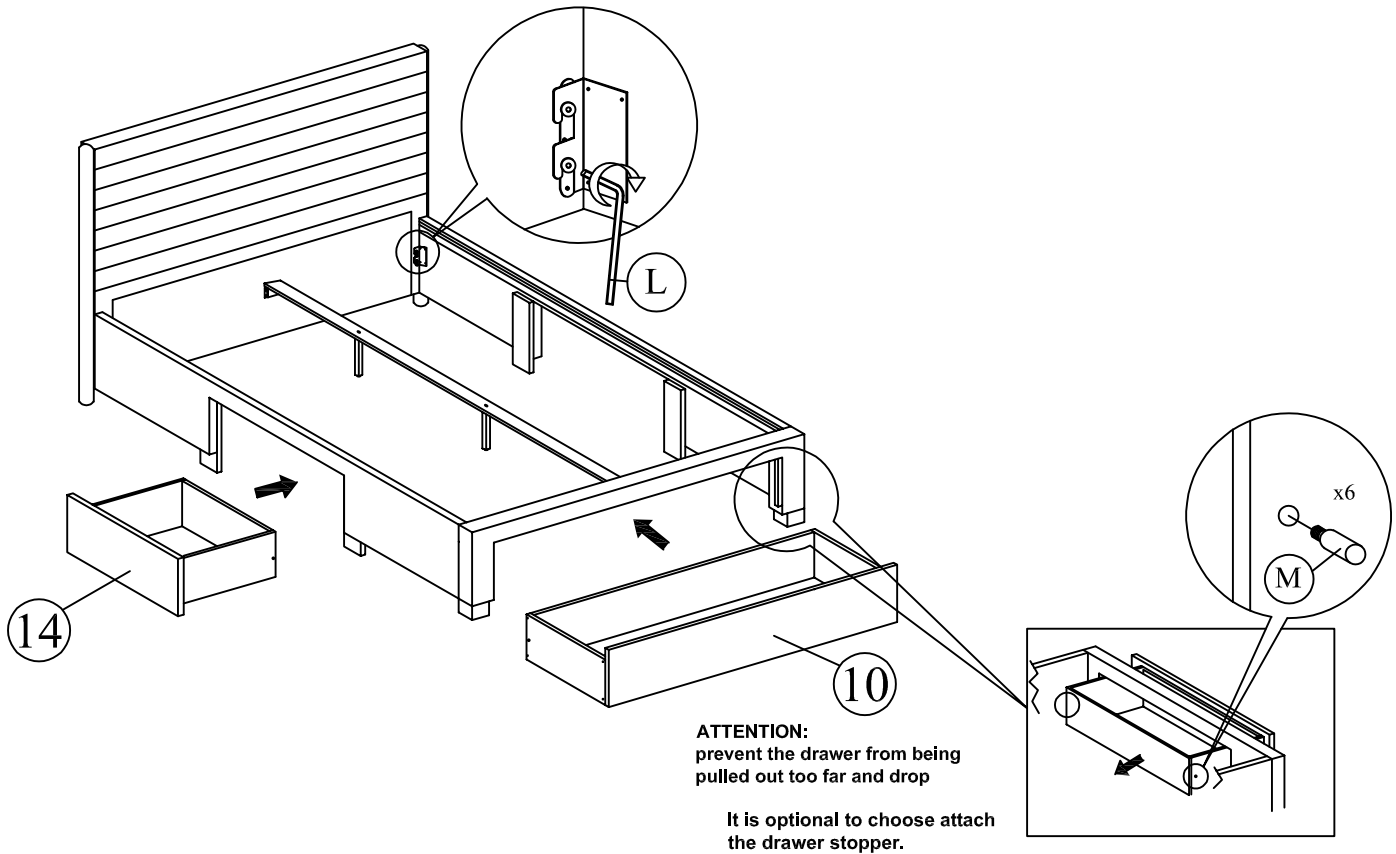


**DO NOT use any power tools as this may damage the frame and will invalidate any claim.**



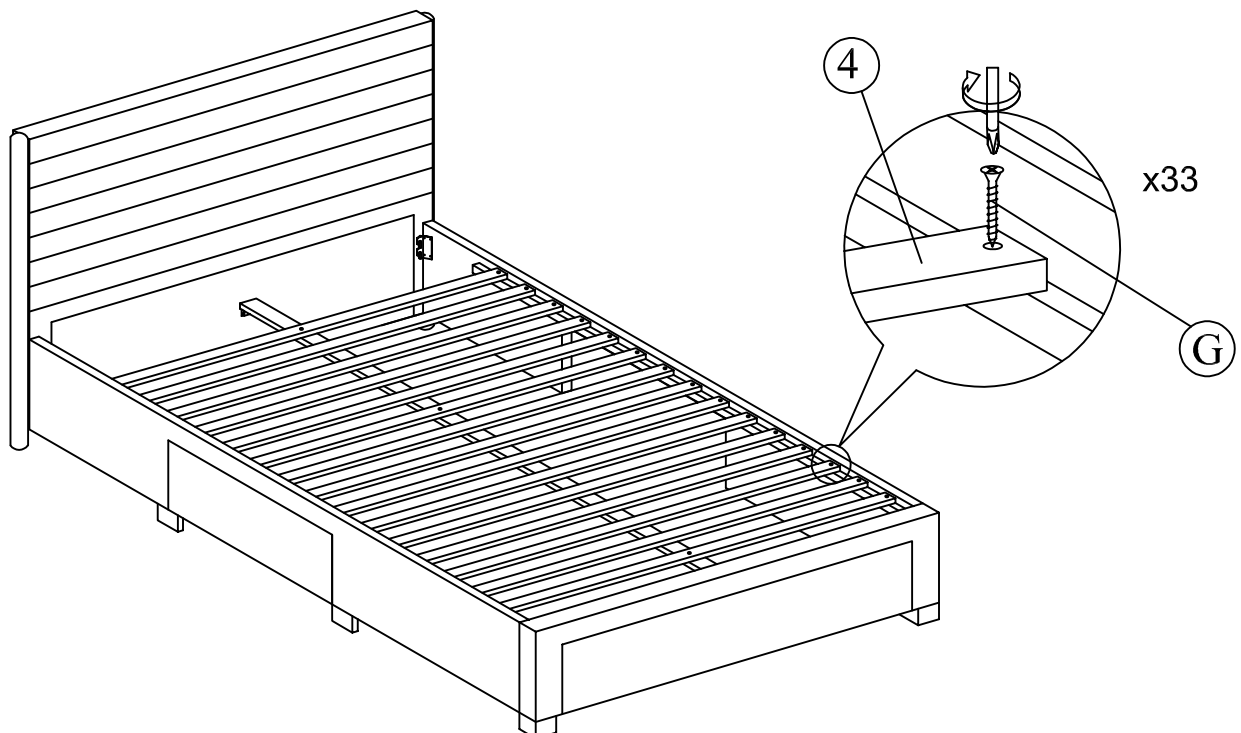
## Step 15

Attach all drawers to the bed and assemble the 6x metal stopper (M). Tighten all the 4 corners with 1x M5 Allen Key (L).



## Step 16

Lay the 15x Slat (4) onto the side rail support wood and the 1x centre rail (6) using 33x M4 x 32mm CSK (G) with screwdriver (not included) to fix it.



**DO NOT** use any power tools as this may damage the frame and will invalidate any claim.

