

ASSEMBLY INSTRUCTIONS

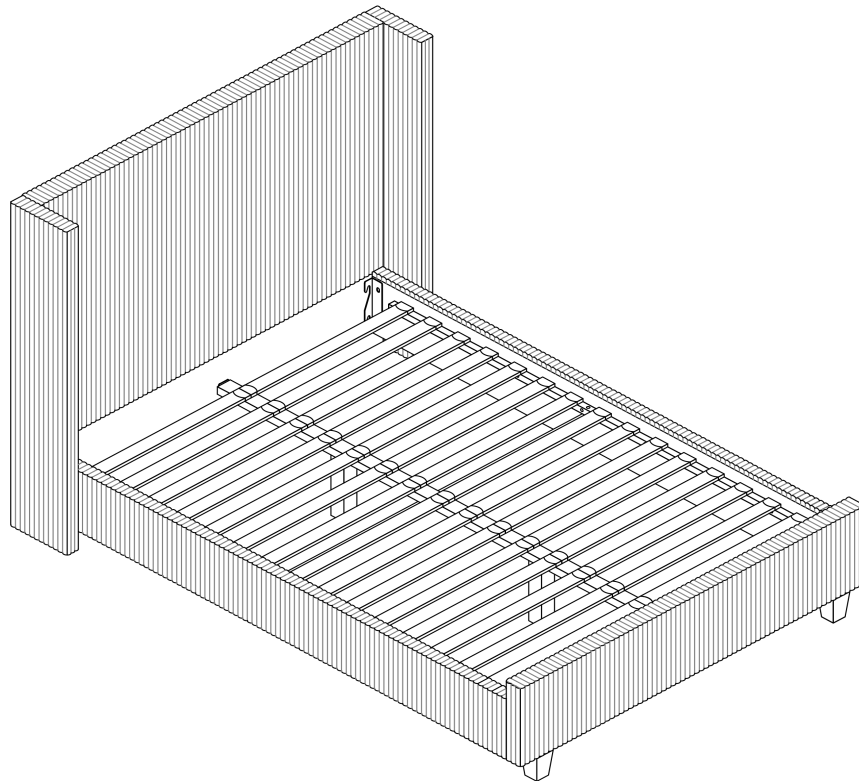
Minimum No.
Of People
Recommended
To Assemble
This Product :

2

Approximate
Assembly
Time :

30

MINUTES



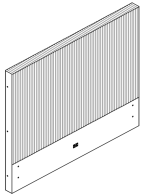

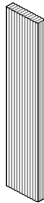
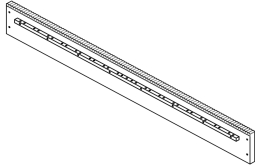
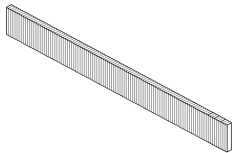
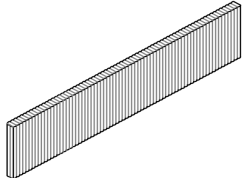
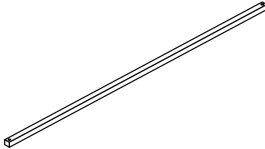
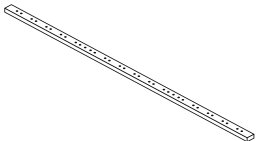

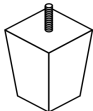
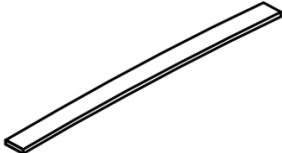
**BEFORE YOU
START, HERE
IS SOME
HELPFUL
ADVICE :**






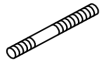
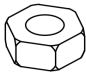




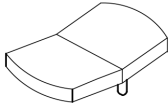
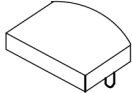
1. We suggest you spend a short time reading through this leaflet and then follow the simple step by step instructions.
2. If you follow the instructions carefully, the end result should be worth the effort.
3. Do not discard any of the packaging until you have checked that you have all the parts and the pack of fittings is correct and you are happy with the product.
4. To ensure an easier assembly, we strongly advise that all fittings are only finger-tightened during initial assembly phase. Only upon completion of the assembly should all fixing points be fully tightened.
5. We recommend a periodic check on all fixing points to make sure they remain fully tightened.
6. Keep any fittings out of children's reach.



Do not use Power Tools

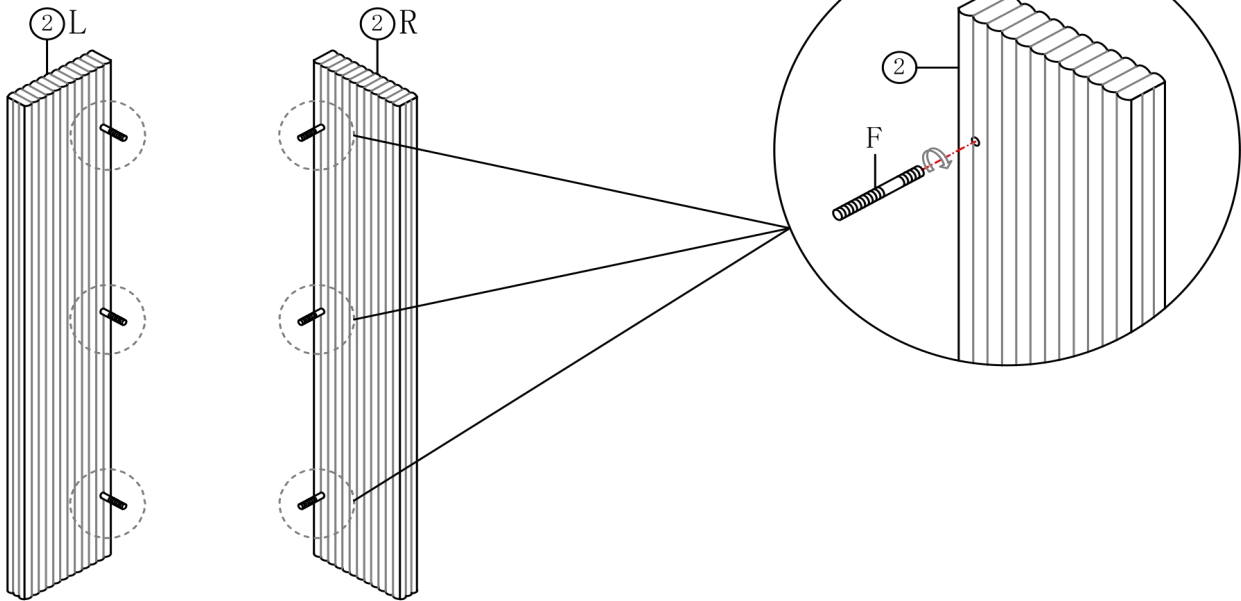
PARTS AND HARDWARE LISTS

<p>1 x1pc Head board</p> 	<p>2R x1pc Side head board</p> 	<p>2L x1pc Side head board</p> 	<p>3R x1pc Side rail</p> 
<p>3L x1pc Side rail</p> 	<p>4 x1pcs Foot board</p> 	<p>5 x1pcs Metal cross bar</p> 	<p>6 x1pc Center support bar</p> 
<p>7 x2pcs Middle support leg</p> 	<p>8 x2pcs Bed legs</p> 	<p>9 x30pcs Slat</p> 	

<p>A x1pc</p> 	<p>B x16pcs</p>  <p>M8x25mm</p>	<p>C x2pcs</p>  <p>M8x45mm</p>	<p>D x2pcs</p>  <p>M8x60mm</p>
<p>E x2pcs</p>  <p>M6x20mm</p>	<p>F x6pcs</p>  <p>M8x60mm</p>	<p>G x8pcs</p> 	<p>H x8pcs</p> 
<p>I x1pc</p> 	<p>J x2pcs</p> 	<p>K x4pcs</p> 	<p>L x15pcs</p> 
<p>M x30pcs</p> 			

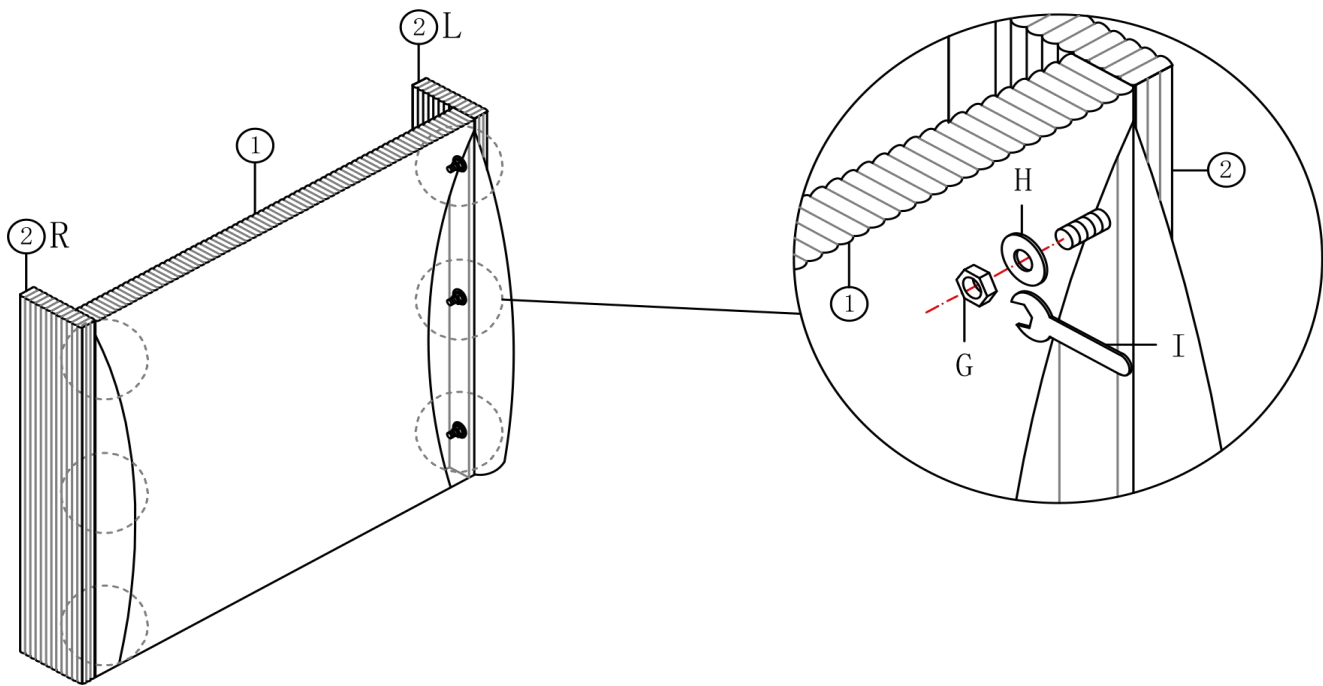
STEP 1

Fix the Screw rod F to the Side head board ②L & Side head board ②R.

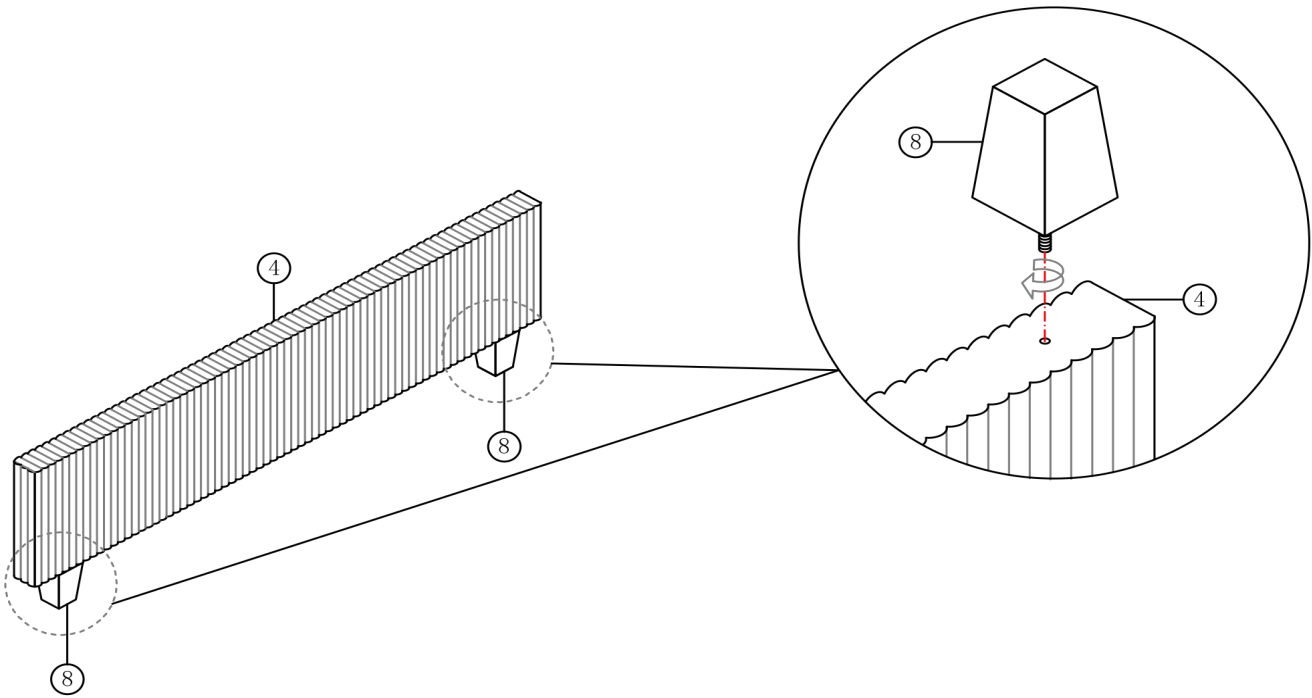


STEP 2

Fix the Side head board ②L & Side head board ②R to the Head board ① with Nuts G and Washer H by using Spanner I.



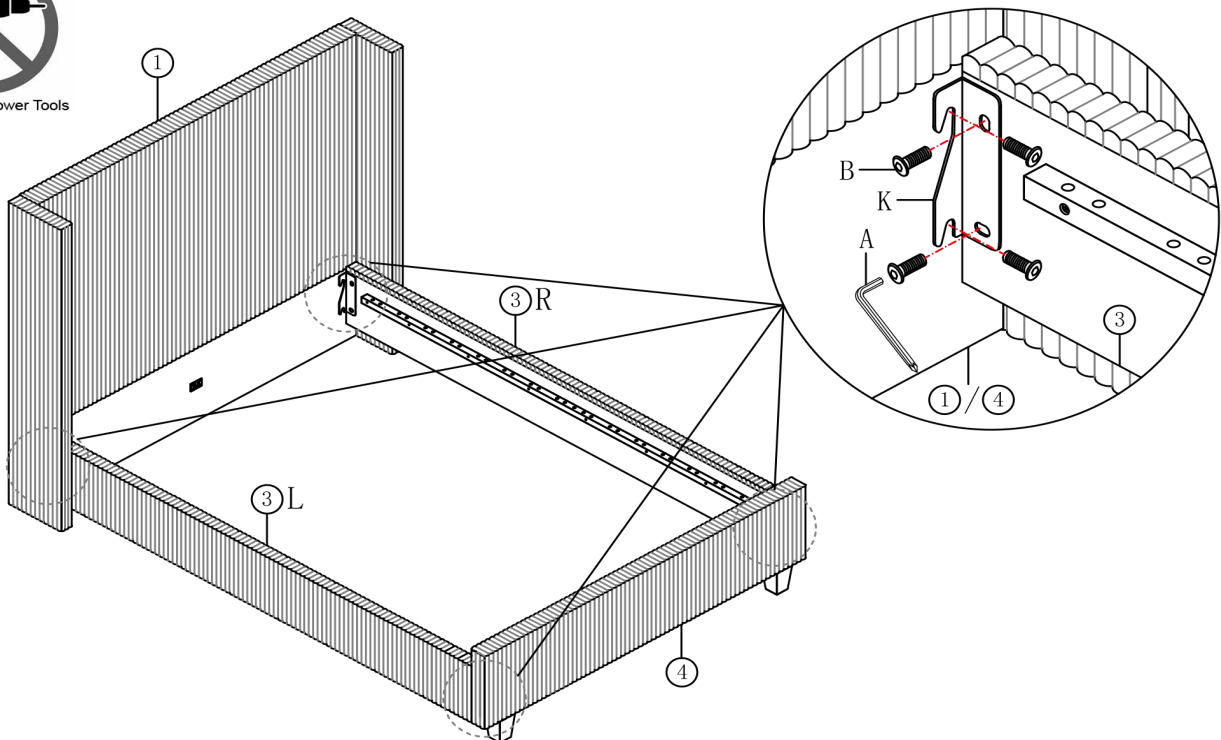
STEP 3 Fix the Bed legs ⑧ to the Foot board ④ .



STEP 4 Fix the Side rail ③ to the Head board ① and Foot board ④ with Bolts B and Hinge K by using Allen key A.



Do not use Power Tools

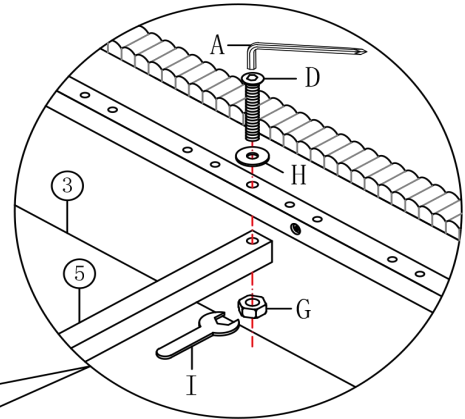
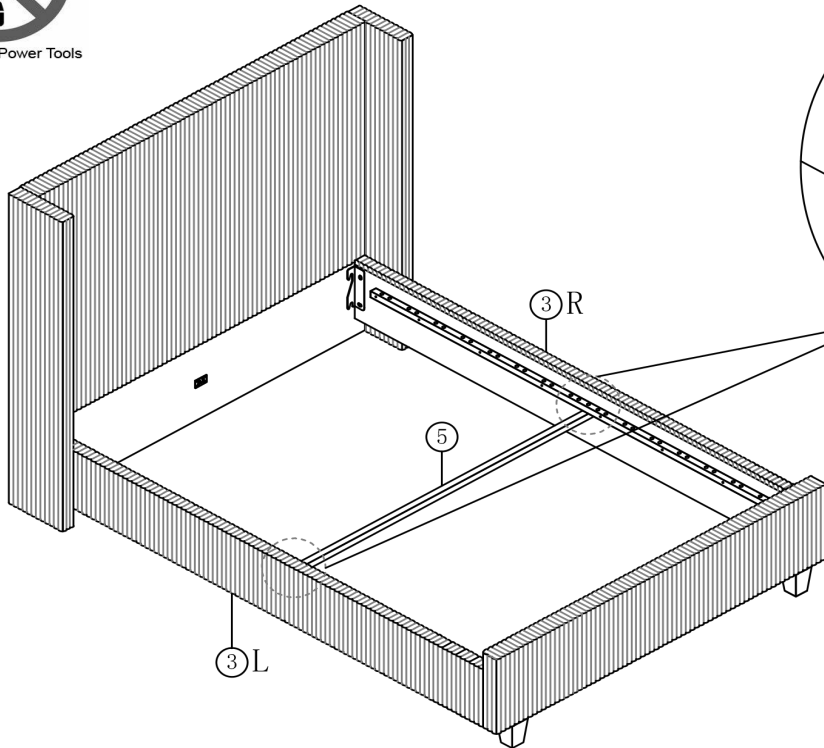


STEP 5

Fix the Metal cross bar ⑤ to the Side rail ③ with Bolts D , Nuts G and Washer H by using Allen key A and Spanner I.



Do not use Power Tools

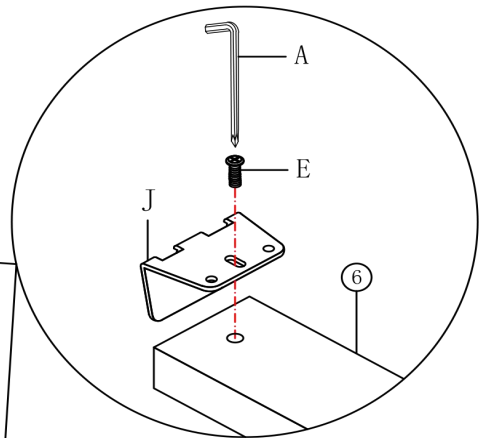
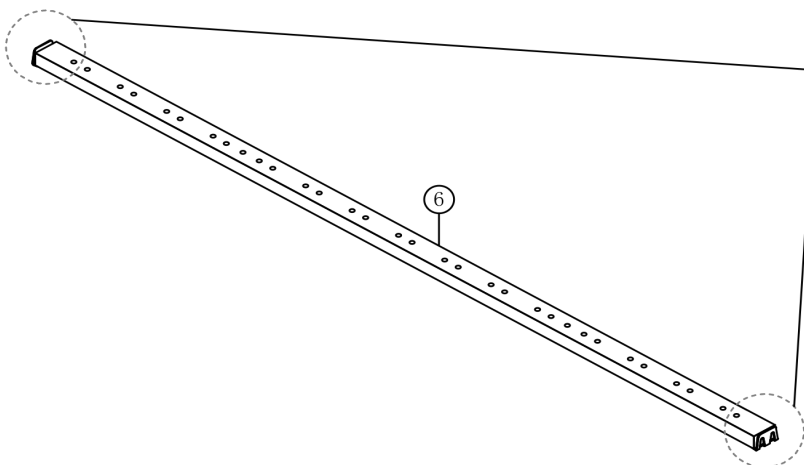


STEP 6

Fix the Bracket J to the Center support bar ⑥ with Bolts E by using Allen Key A.



Do not use Power Tools

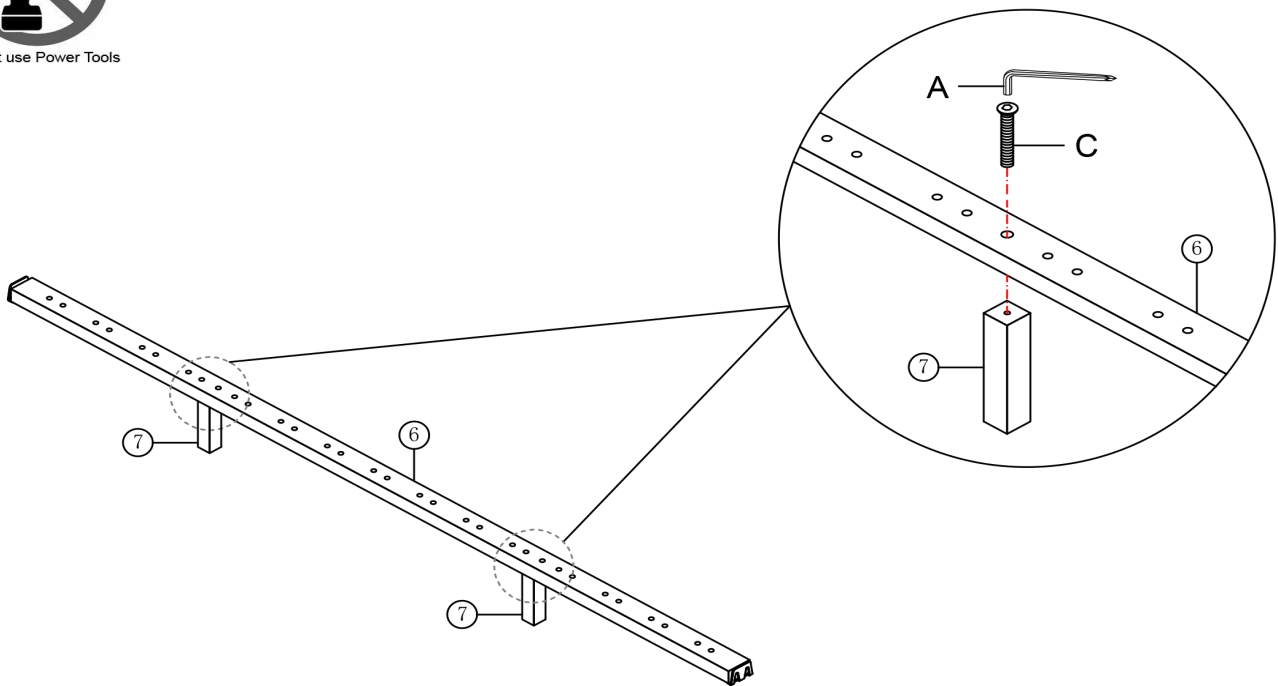


STEP 7

Fix the Middle support leg ⑦ to the Center support bar ⑥ with Bolts C by using Allen Key A.

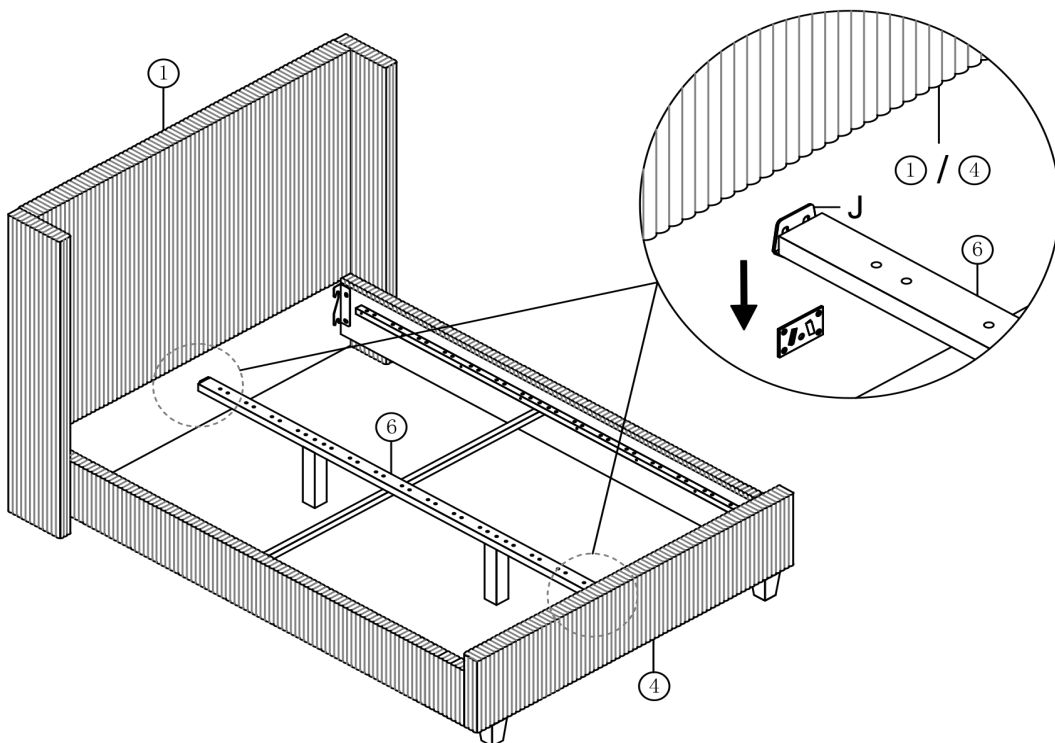


Do not use Power Tools



STEP 8

Attach the Central support bar ⑥ to the Headboard ① and Foot board ④ by pushing the Bracket J down to fit it.



STEP 9

Insert the Flat Slats ⑨ to both ends of slat Middle Holder L before attaching slat End Holder M to the other end of Flat Slats. Having done this, press down the Middle Holder L and the End Holder M to the siderail shelf and Central Rail. Repeat the above for balance rows.

