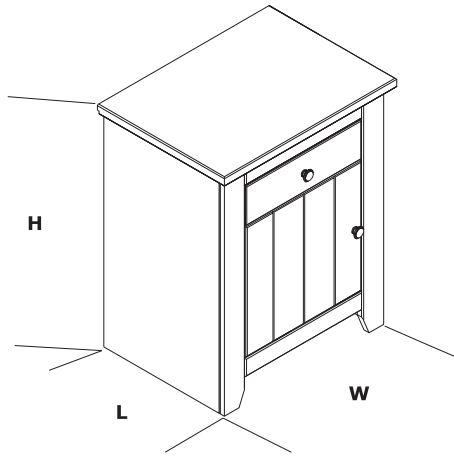


Assembly Instructions: Havana Bedside Cabinet - September, 2024 - IA14945



Assembled Dimensions

Length: 390mm

Width: 530mm

Height: 660mm

**PLEASE NOTE : CHECK ALL PARTS BEFORE ASSEMBLING
ONCE ASSEMBLED THIS ITEM CANNOT BE RETURNED UNDER THE APPROVAL GUARANTEE
THIS PRODUCT IS BUILT VERTICALLY - PLEASE BUILD WHERE IT WILL BE USED.**

Follow Me

- FIRST: Check that the assembled product size will fit in its required location. Take into account ceiling height clearance & door frame widths, if the unit is not being assembled close to its final location
- SECOND : Check that you have enough floor area to complete the assembly
- THIRD: Retain your packaging until you have checked that ALL the parts are in the packs.
- FOURTH :Sort out the parts and fittings as shown, assemble product step by step
- It is preferable to rest the product on a soft surface to avoid damage during assembly
- Do not over tighten screws and fittings.
- Re-Tighten all screws and fitting periodically.

Guide Me

Multi-Pack Table
COMPONENT Pack NO

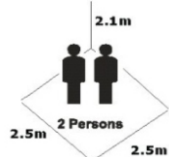
BOX: 1/1

- | | |
|--------------------------------|------------------------------------|
| - 01 - Top (1x) | - 11 - Drawer Front (1x) |
| - 02 - Left Side (1x) | - 12 - Drawer Side (2x) |
| - 03 - Right Side (1x) | - 13 - Drawer Bottom (1x) |
| - 04 - Base (1x) | - 14 - Drawer Back (1x) |
| - 05 - Back Panel (2x) | - 15 - Front Right Side (1x) |
| - 06 - Front Crossbeam (2x) | - 16 - Front Left Side (1x) |
| - 07 - Door (1x) | - Fittings / Assembly Instructions |
| - 08 - Apply Support Door (1x) | |
| - 09 - Runner (2x) | |
| - 10 - Profile H (1x) | |

Replacement packs cannot be provided without Component pack number and the part number / description

Show Me

No of People
to Assemble



Approx Assembly
Time



Preparation
Floor Space 2.5 x 2.5m
Height 2.1m

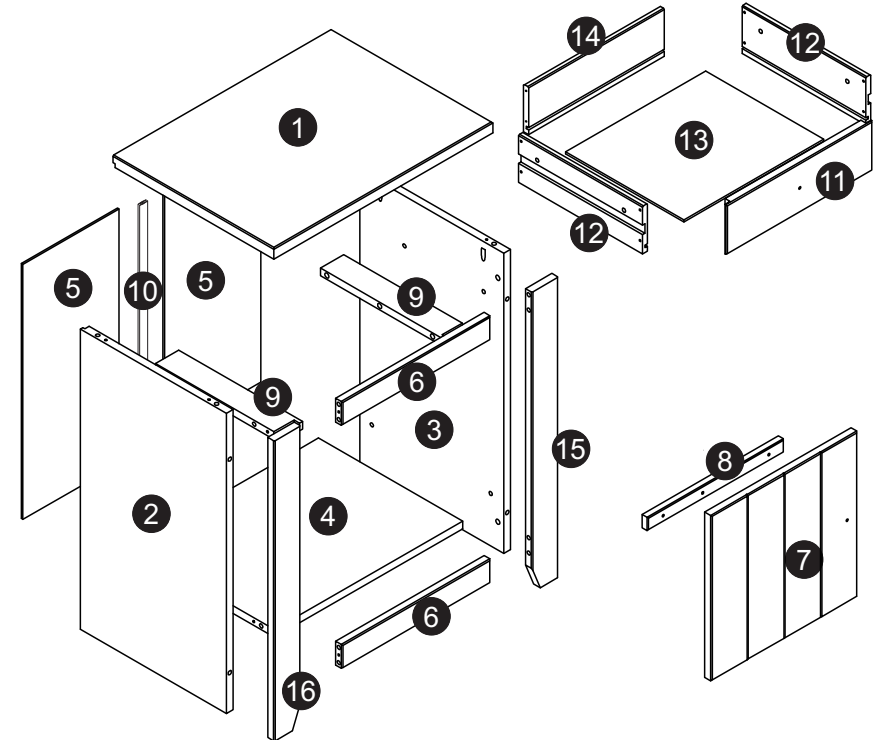
Pozi No 2

TOOLS REQUIRED
Tape Measure



Recycling: The packaging materials for this product may be recycled through your local recycling centre. When you want to dispose of the product itself, please consider donating it to a local charitable organisation, otherwise recycle it through your local recycling centre.

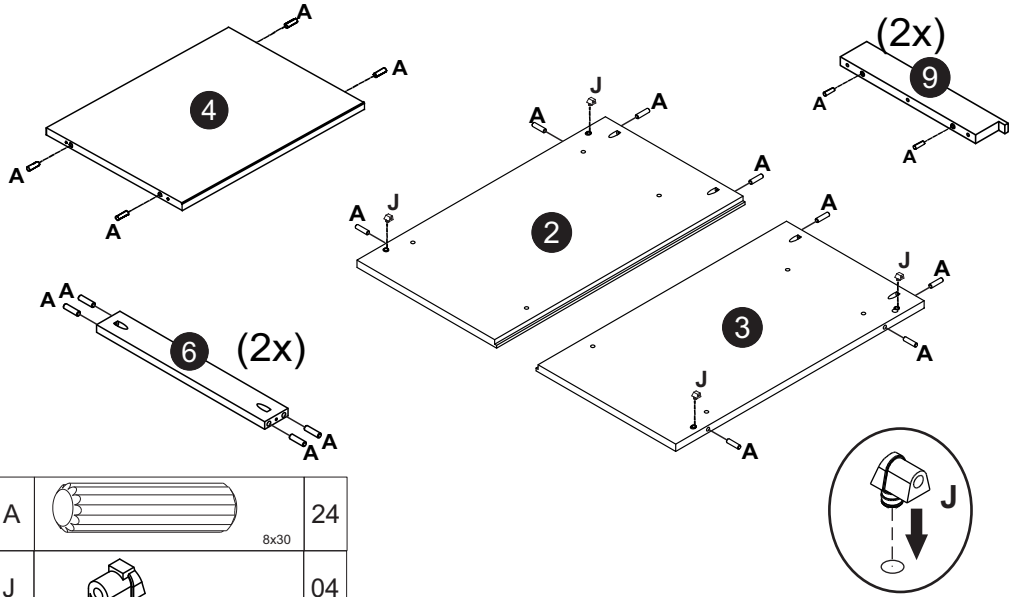
IF COMPONENTS OR PARTS ARE MISSING,
THE PRODUCT MUST BE RETURNED
IN ITS ORIGINAL PACKAGING





A		26	G		02
B		16	H		02
C		8	I		01
D		15	J		04
E		06	K		01
F		02	L		24
			M		04

01

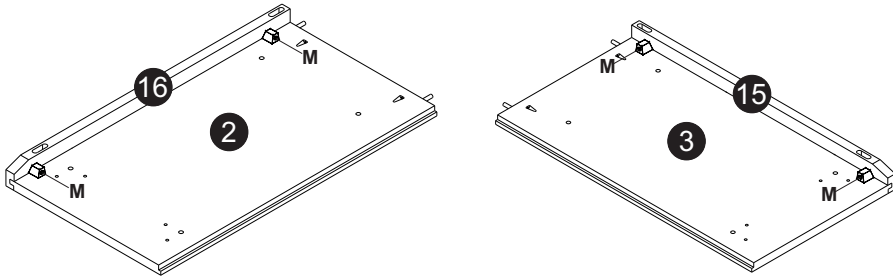
⚠ Assemble on a clean soft surface to avoid damage.

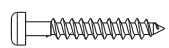


A		24
J		04

02

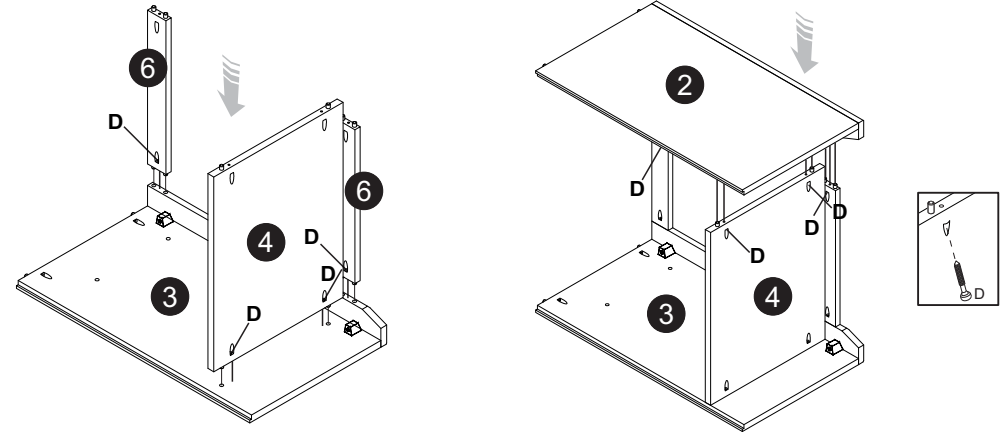
⚠ Assemble on a clean soft surface to avoid damage.

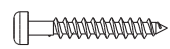


M		04
---	-------------------------------------------------------------------------------------	----

03

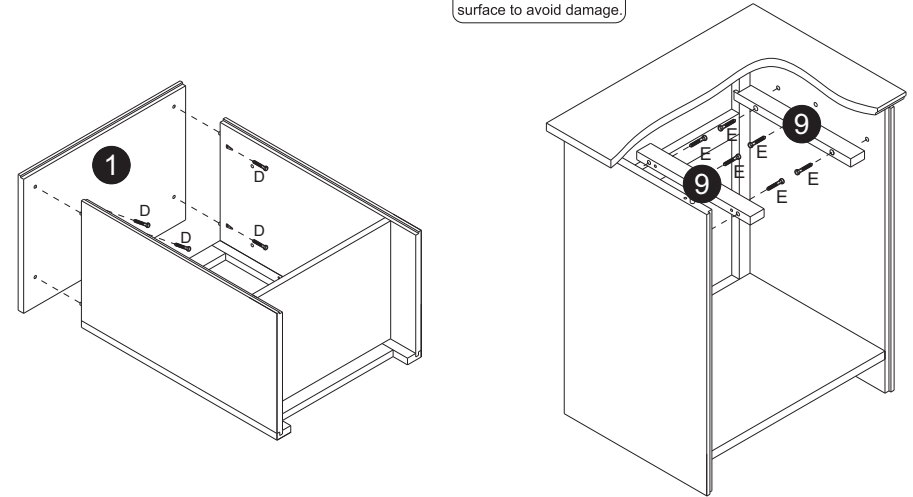
⚠ Assemble on a clean soft surface to avoid damage.

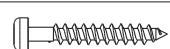
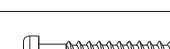


D		08
---	-------------------------------------------------------------------------------------	----

04

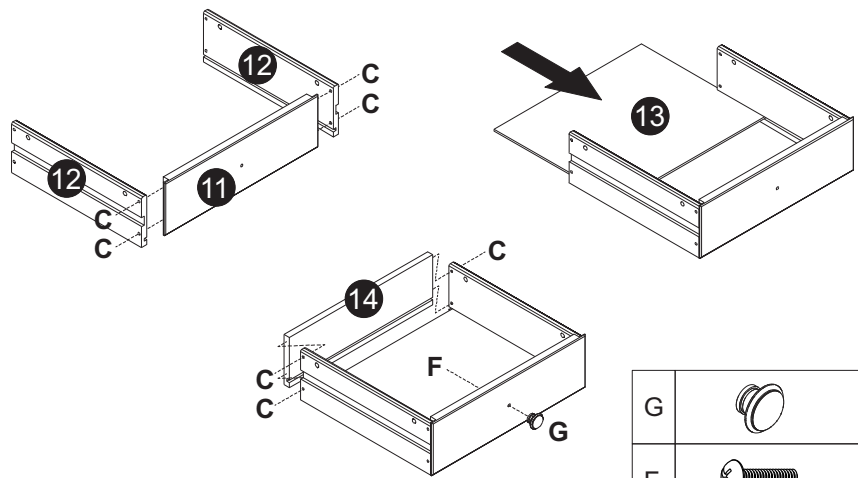
⚠ Assemble on a clean soft surface to avoid damage.



D		04
E		06

05

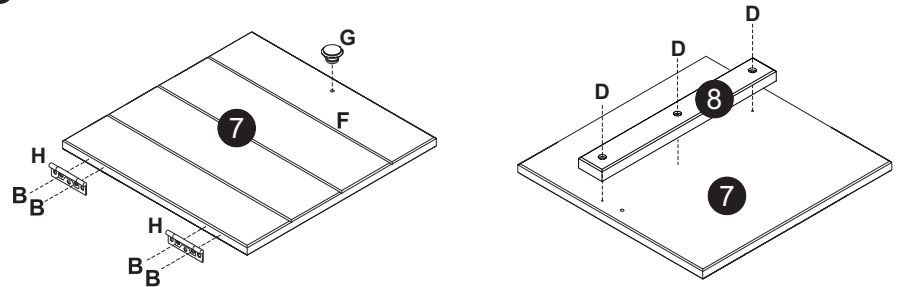
Assemble on a clean soft surface to avoid damage.



G		01
F		01
C		08

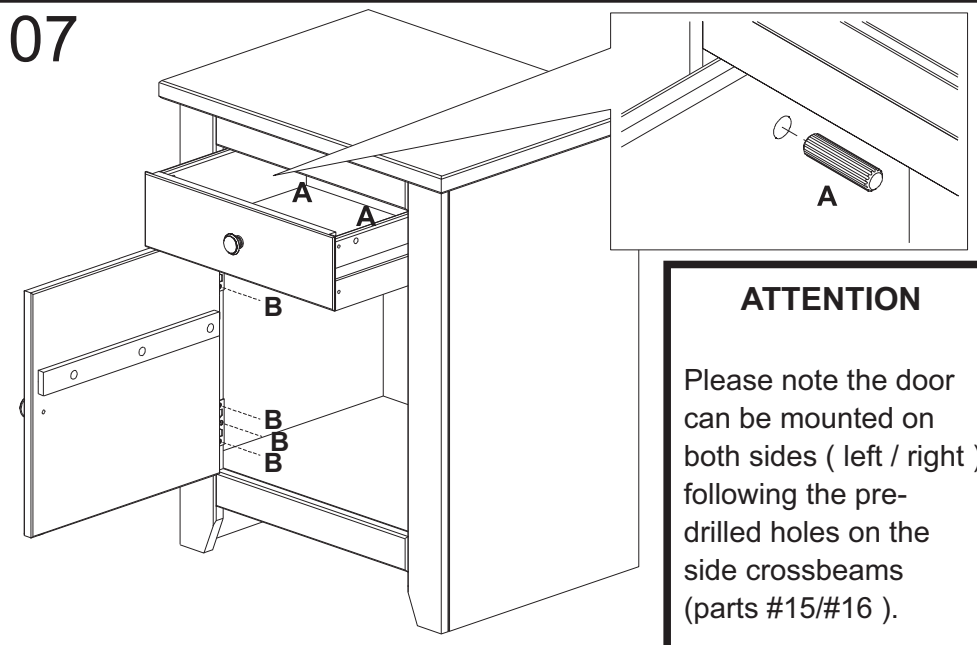
06

Assemble on a clean soft surface to avoid damage.



B		04
D		03
F		01
G		01
H		02

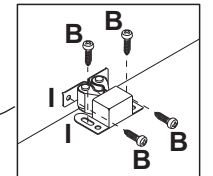
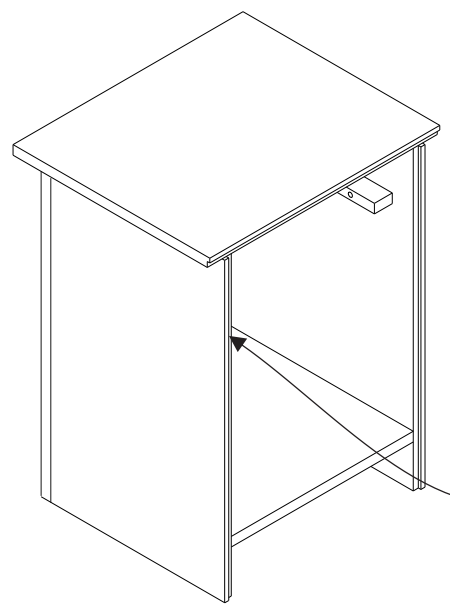
07



ATTENTION
Please note the door can be mounted on both sides (left / right) following the pre-drilled holes on the side crossbeams (parts #15/#16).

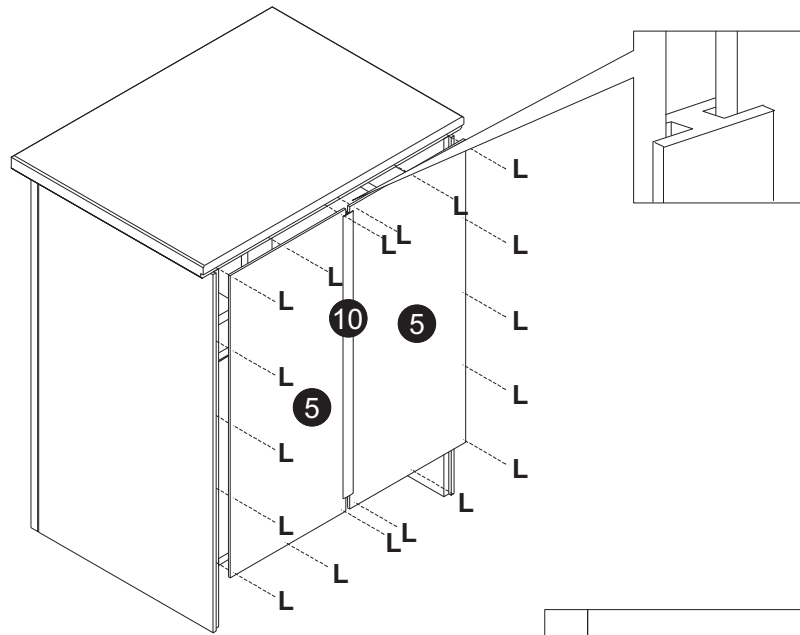
A		02
B		06

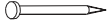
08



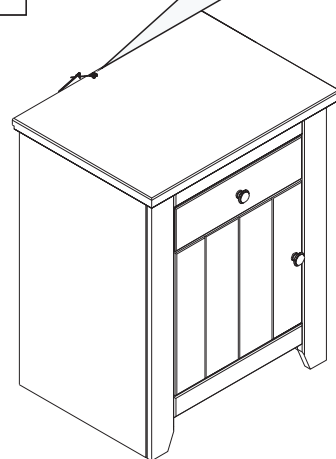
B		04
I		01



09



L		8 x 8	24
---	-----------------------------------------------------------------------------------	-------	----

10



B		3,5 x 14	02
K			01

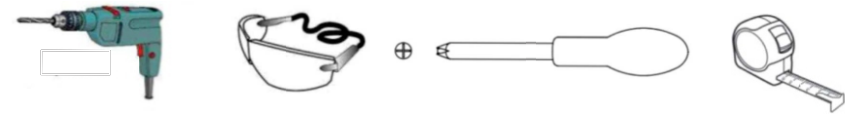
WALL ATTACHMENT GUIDE



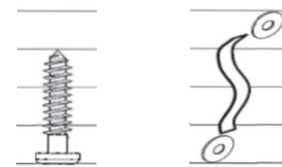
WARNINGS!

- This unit is provided with a safety wall strap to prevent accidental tipping. It is important that the strap is correctly fitted. Failure to fit the strap could lead to serious injury.
- Never allow children to climb or hang on drawers, doors or shelves.
- Place heaviest items in the lower drawers or shelves.
- Never open more than one drawer at a time.
- From time to time check the fitting to ensure the wall plugs or screws do not become loose.
- Always ensure the wall to be drilled is free from hidden electrical wires, water and gas pipes.

YOU WILL NEED:



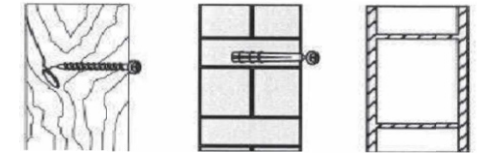
HARDWARE:



Screw
(to attach strap to product)

Strap and washers

Wall fixings (plugs and screws) are not included please source suitable fixings for your wall type. If in doubt, please consult a qualified tradesperson.



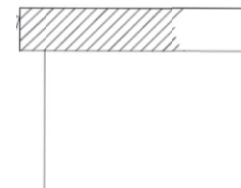
Wood
If fixing to wood make sure that it isn't chipboard as screws can easily pull away from the core structure

Brick or Masonry
Use an appropriate wall plug provided you are sure your wall is sound

Cavity Wall
Special toggle wall plugs are needed, seek expert advice

Step 1.

Attach strap using screw and washer provided to the product.



Step 2.

Mark the desired position of the hole on to the wall with a pencil.
Drill and insert suitable screw (not included) for wall through the washer and strap into a wall plug (not included) in the wall.

