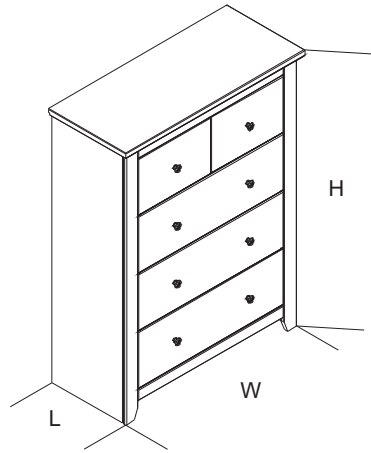


# Assembly Instructions: Havana 3+2 Chest: September, 2024 - IA14398



### Assembled Dimensions

L Length 390mm  
 W Width: 900mm  
 H Head Height: 1198mm

**PLEASE NOTE : CHECK ALL PARTS BEFORE ASSEMBLING  
 ONCE ASSEMBLED THIS ITEM CANNOT BE RETURNED UNDER THE APPROVAL GUARANTEE  
 THIS PRODUCT IS BUILT VERTICALLY - PLEASE BUILD WHERE IT WILL BE USED.**

### Follow Me

FIRST: Check that the assembled product size will fit in its required location. Take in to account ceiling height clearance and door frame width, if the unit is not being assembled close to its final location.  
 SECOND: Check that you have enough floor area to complete assembly.  
 THIRD: Retain your packaging until you have checked that ALL the parts are in the packs.  
 FOURTH: Sort out the parts and fittings as shown and assemble the product step by step.  
 It is preferable to rest the product on a soft surface to avoid damage during assembly.  
 Do not over tighten screws and fittings.  
 Re-tighten all screws and fittings periodically.

### Guide Me

Multi-Pack Table  
 COMPONENT Pack NO

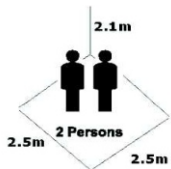
BOX: 1/1

- |               |                       |                          |
|---------------|-----------------------|--------------------------|
| - TOP         | - BACK CROSSBEAM      | - SMALL RIGHT SIDE FRONT |
| - BOTTOM BACK | - FRONT CROSSBEAM     | - SMALL LEFT SIDE FRONT  |
| - PROFILE H   | - LEFT SIDE SLAT      | - ASSEMBLY INSTRUCTION   |
| - LEFT SIDE   | - RIGHT SIDE SLAT     | - BIG DRAWER BOTTOM      |
| - RIGHT SIDE  | - SMALL DRAWER BACK   | - BIG DRAWER FRONT       |
| - DIVIDER     | - DRAWER SIDE         | - BIG DRAWER BACK        |
| - SIDE RUNNER | - SMALL BOTTOM DRAWER | - FITTINGS               |

Replacement packs cannot be provided without Component pack number and the part number / description

### Show Me

No of People  
 to Assemble



Approx Assembly  
 Time



Preparation  
 Flor Space 2.5 x 2.5m  
 Height 2.1m

### TOOLS REQUIRED

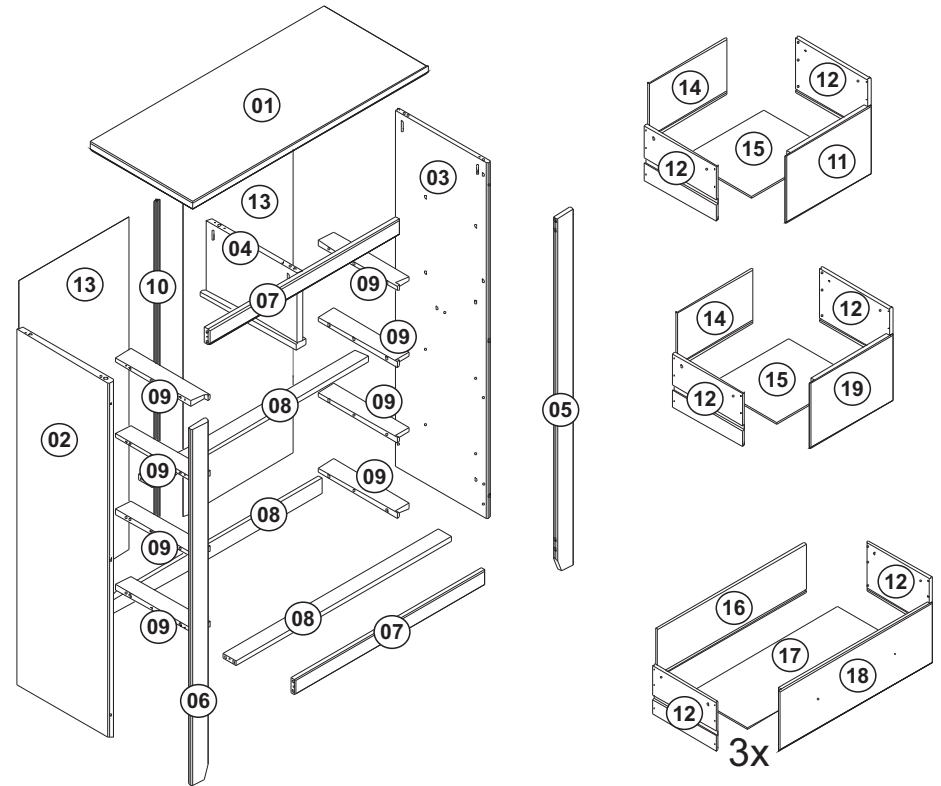
Tape Measure

Pozi No 2



**Recycling- the packaging materials  
 for this product may be recycled  
 through your local recycling centre.  
 When you want to dispose of the  
 product itself, please consider  
 donating it to a local charitable  
 organization, otherwise recycle  
 it through your local recycling  
 centre.**

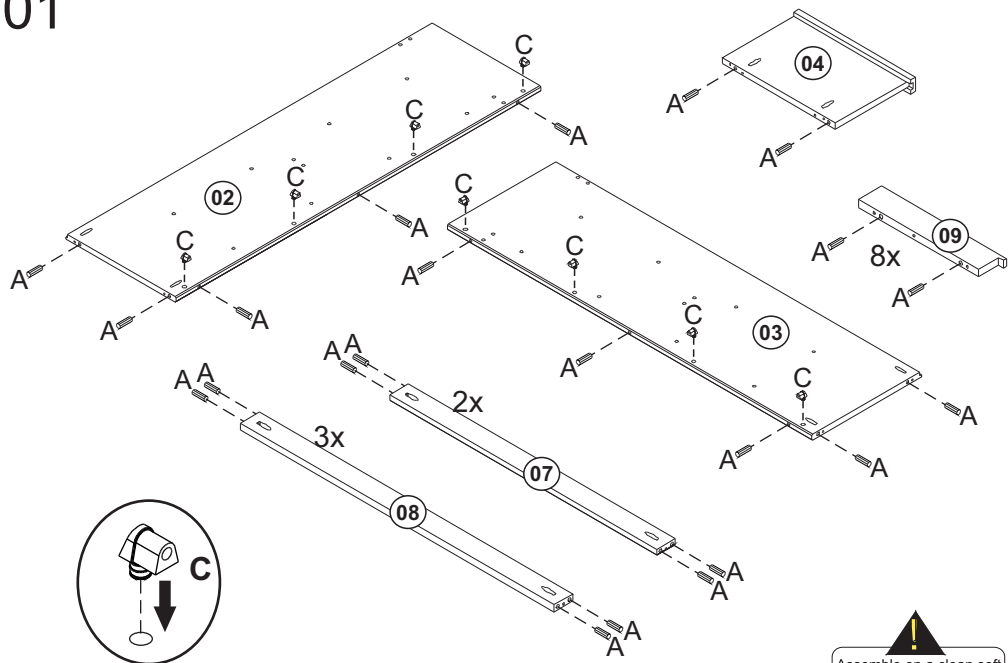
If the room you plan to use your new chest in has a laminate or wood floor, we highly recommend you purchase some Anti-skid pads to fit to the underside of the chest feet. Floors of this nature offer no grip, which over as small period Of time can result in the bed fittings and components coming loose or breaking altogether due to them slowly slipping on The floor. These grips will also protect your floor from any marking that may be caused by your furniture slipping in This manner. These pads can be bought from most good DIY shops or superstores and are relatively inexpensive.



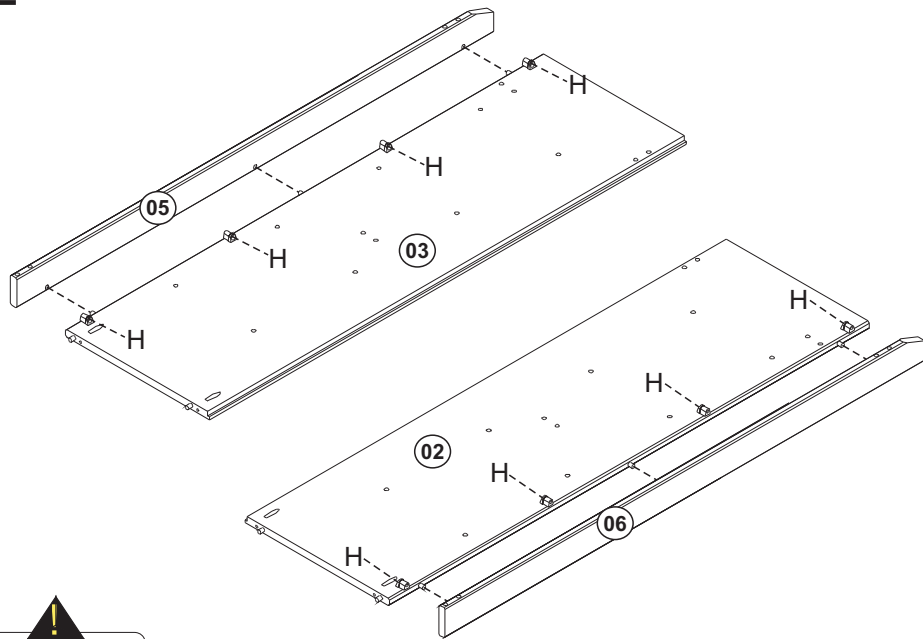
A		48
B		42
C		08
D		08
E		08
F		60

G		01
H		10
I		26
J		04
K		02
L		08

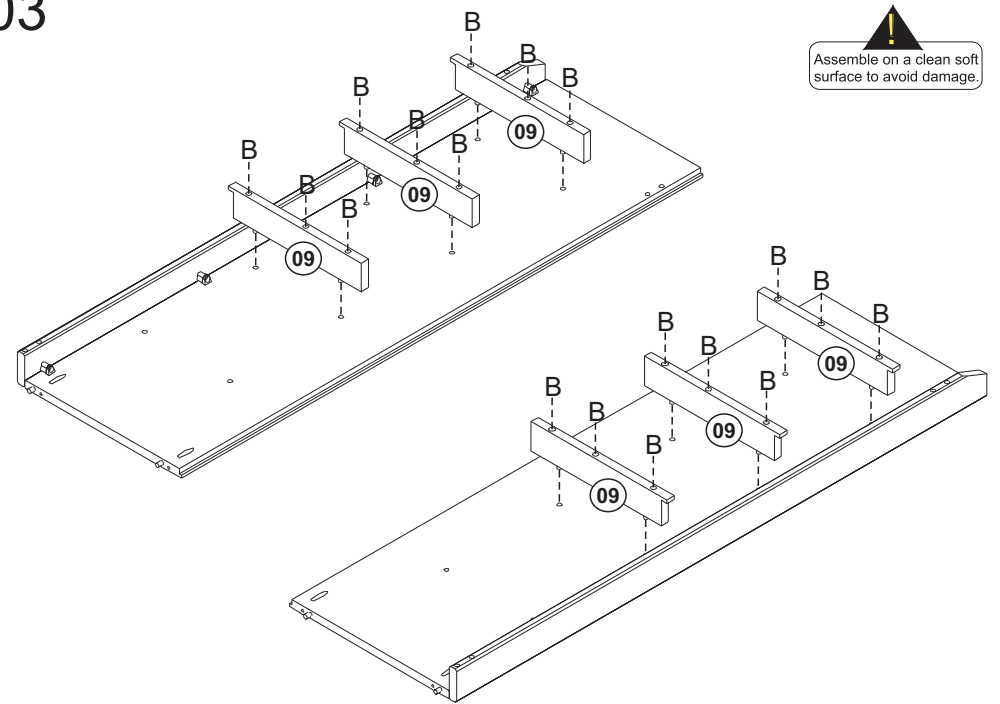
01



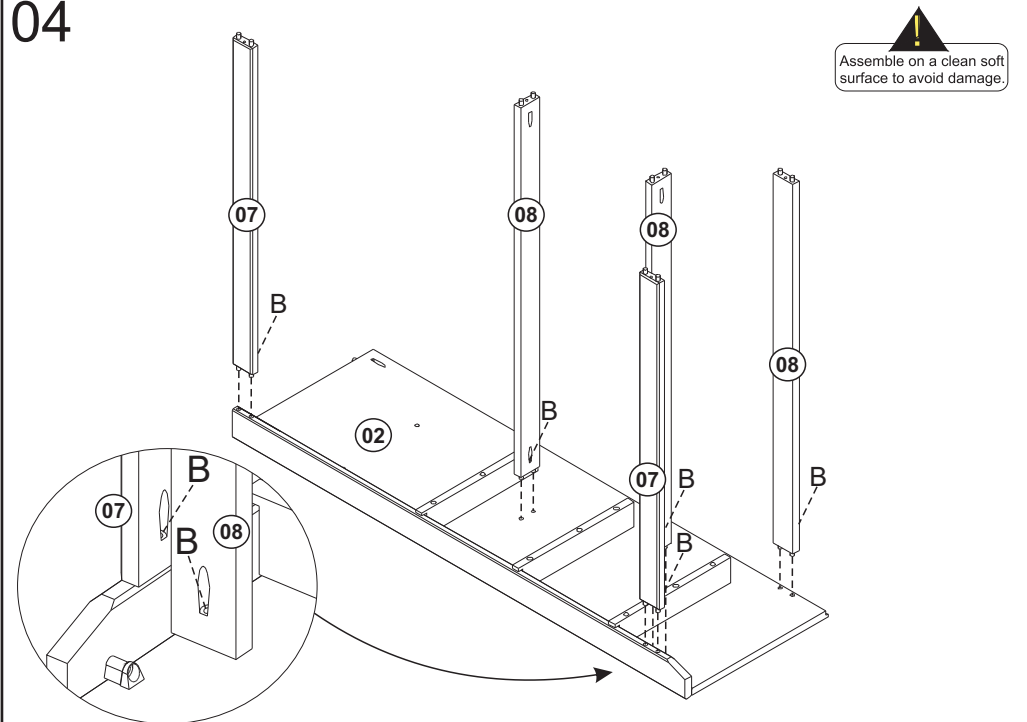
02



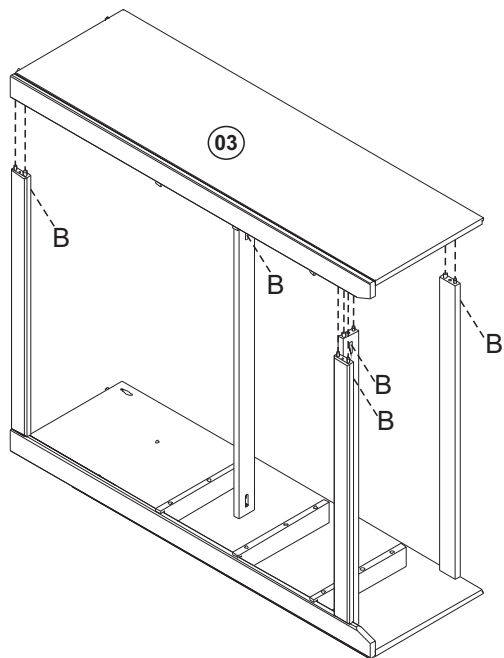
03



04

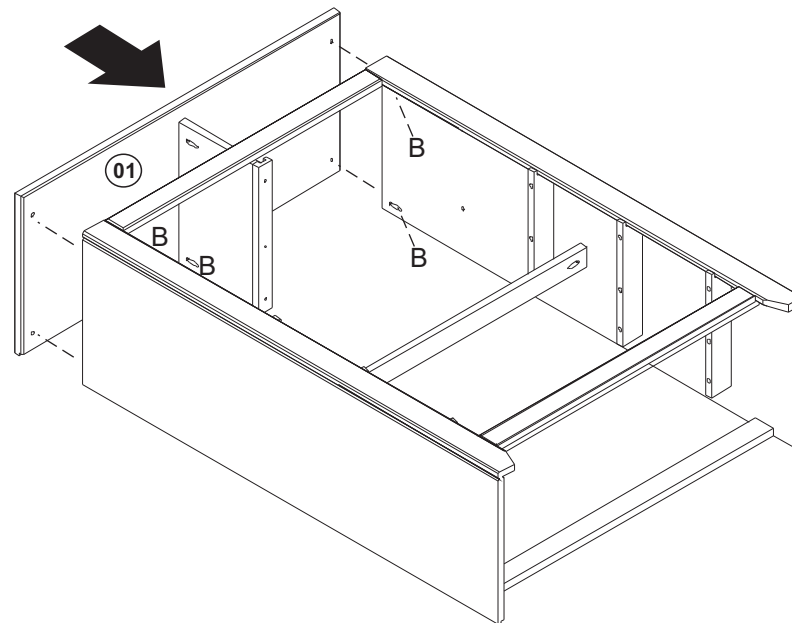


05



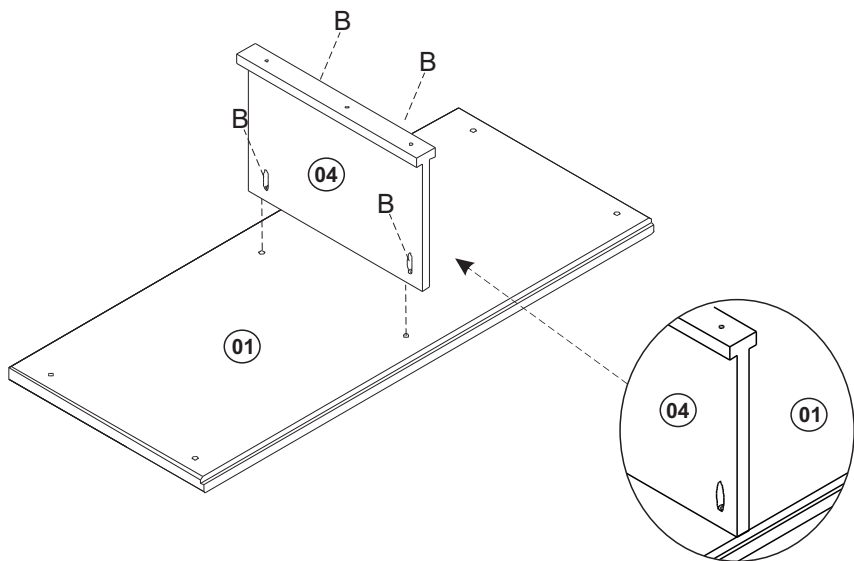
Assemble on a clean soft surface to avoid damage.

07



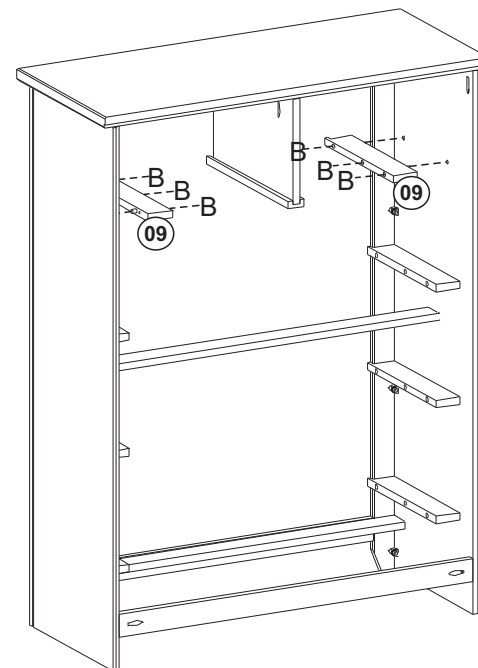
Assemble on a clean soft surface to avoid damage.

06



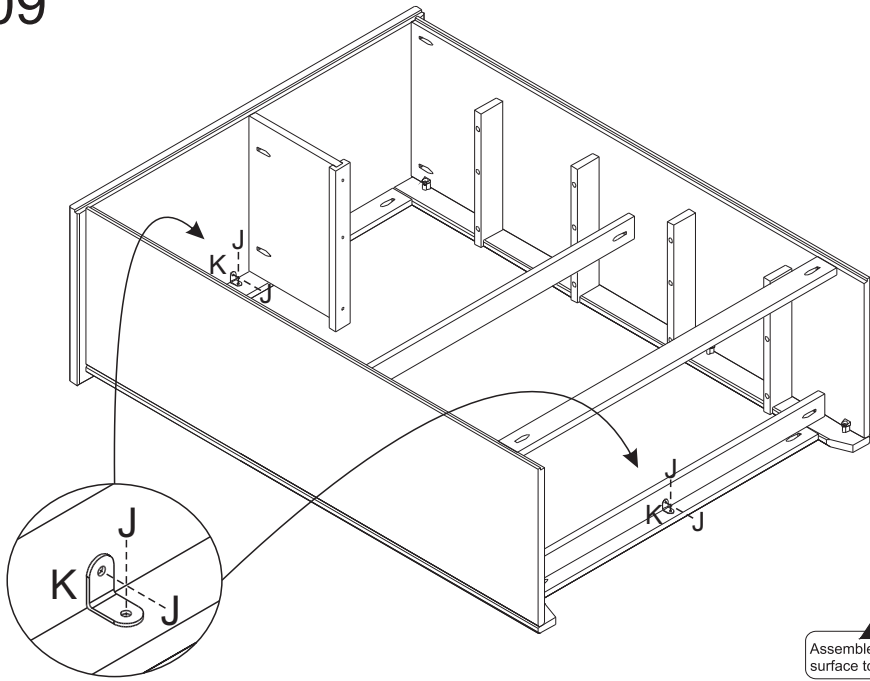
Assemble on a clean soft surface to avoid damage.

08

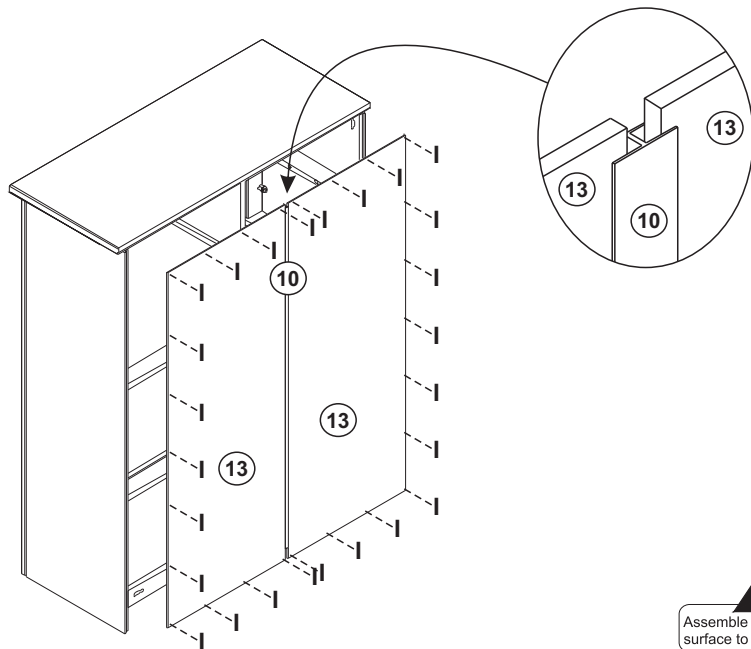


Assemble on a clean soft surface to avoid damage.

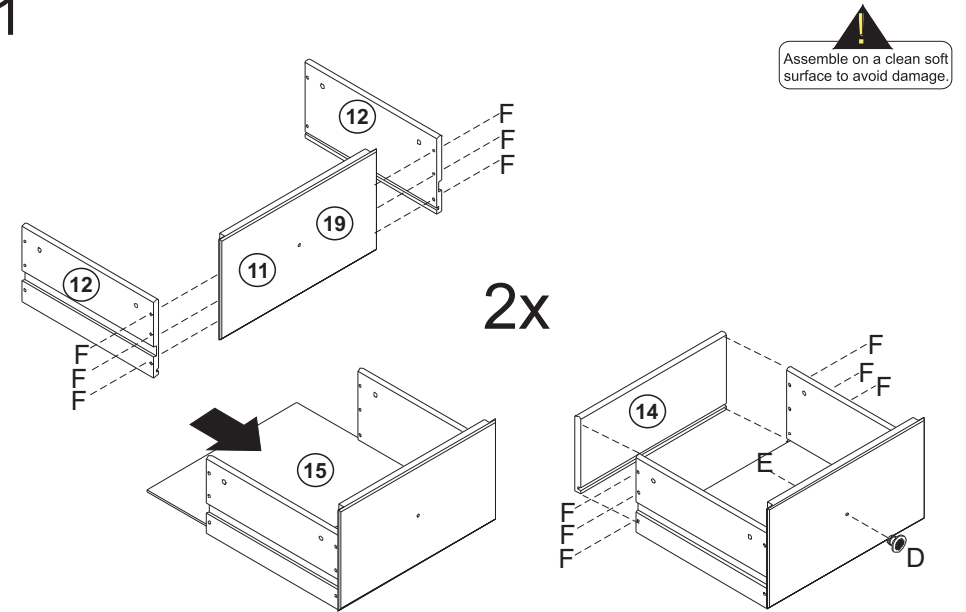
09



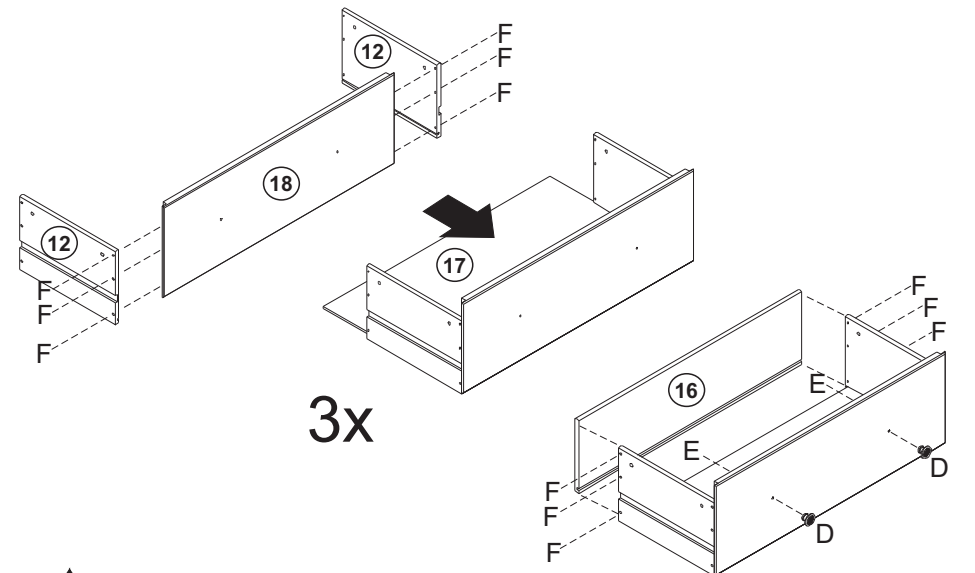
10



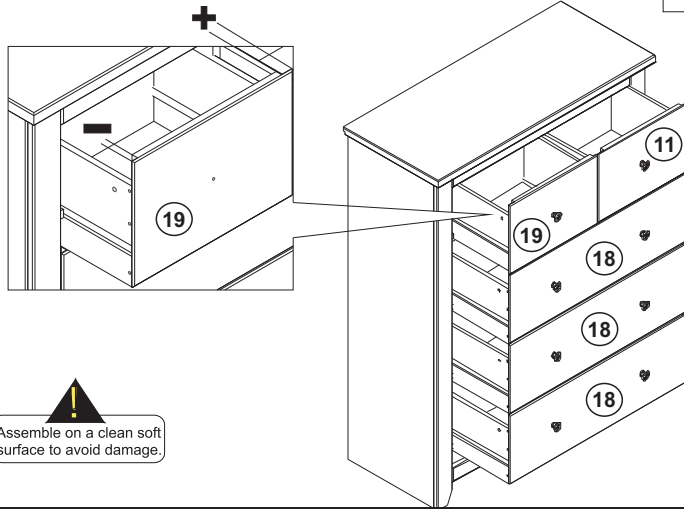
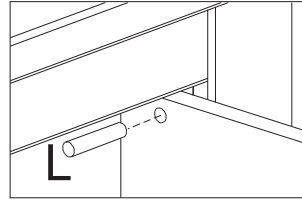
11



12

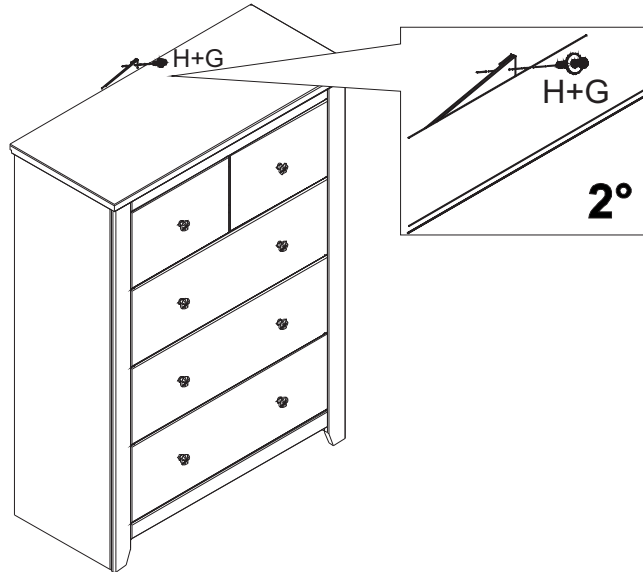
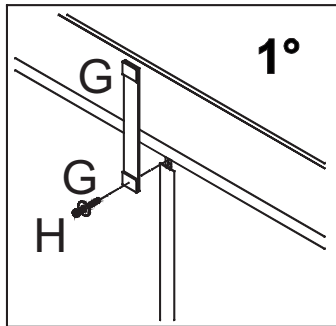


13



**!**  
Assemble on a clean soft surface to avoid damage.

14



**!**  
Assemble on a clean soft surface to avoid damage.

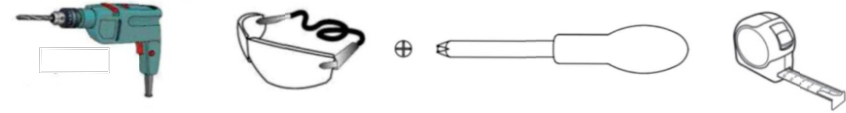
## WALL ATTACHMENT GUIDE



### WARNINGS!

- This unit is provided with a safety wall strap to prevent accidental tipping. It is important that the strap is correctly fitted. Failure to fit the strap could lead to serious injury.
- Never allow children to climb or hang on drawers, doors or shelves.
- Place heaviest items in the lower drawers or shelves.
- Never open more than one drawer at a time.
- From time to time check the fitting to ensure the wall plugs or screws do not become loose.
- Always ensure the wall to be drilled is free from hidden electrical wires, water and gas pipes.

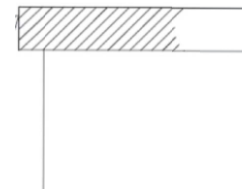
YOU WILL NEED:



HARDWARE:



Step 1.  
Attach strap using screw and washer provided to the product.



Step 2.  
Mark the desired position of the hole on to the wall with a pencil.  
Drill and insert suitable screw (not included) for wall through the washer and strap into a wall plug (not included) in the wall.

