

Birlea®

Assembly Instructions

Thank you for
purchasing a
Birlea product

For a chance to win a Love2Shop voucher simply post a picture of your new product on your preferred social channels tagging Birlea Furniture. One winner will be selected at random each month.

*Terms & conditions may apply.

Are you happy with your purchase?

Yes: That's great, we would love to hear more from you. Please leave us a review on our Trustpilot link on the QR code here. Your feedback will be greatly appreciated.



No: If for any reason there is something missing, indifferent or incorrect with your order, please contact the retailer that you purchased your item from.

The products takes 1 hours 45 minutes to build along with 2 man builds.



www.birlea.com

ASSEMBLY INSTRUCTIONS
ELLWOOD ARMCHAIR

IMPORTANT : READ THESE INSTRUCTIONS CAREFULLY BEFORE ATTEMPTING TO ASSEMBLE OR USE YOUR ELLWOOD ARMCHAIR.

PLEASE KEEP THESE INSTRUCTIONS FOR FUTURE REFERENCE.

ASSEMBLY:

Assembly should be carried out with this item laying flat, not standing upright.

Assemble on a soft, clean surface to prevent damages.

To erase the numbers printed on the pieces, use the rubber inside the accessories pack.

HEALTH & SAFETY:

DO NOT use this product if any parts are missing, damaged or worn.

DO NOT use this product unless all fixings are secured.

Always use on a level, even surface.

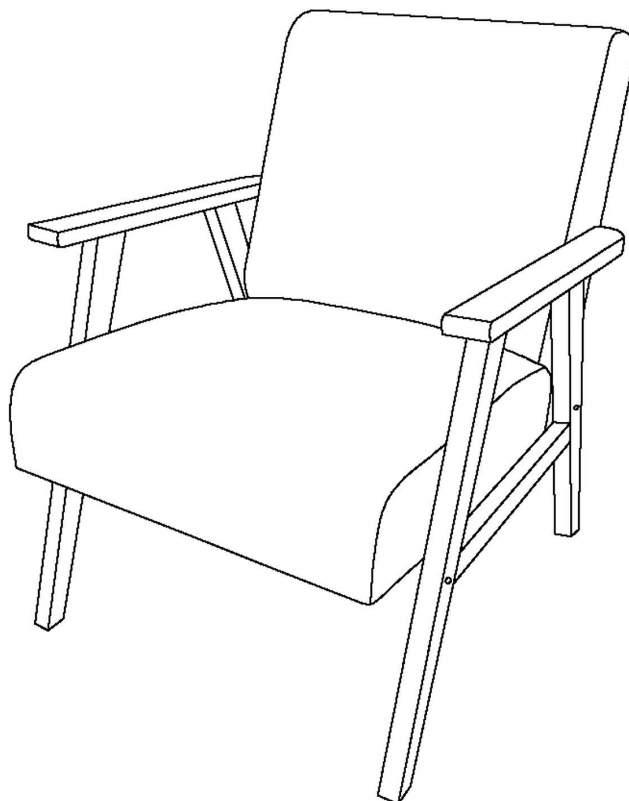
CARE & MAINTENANCE:

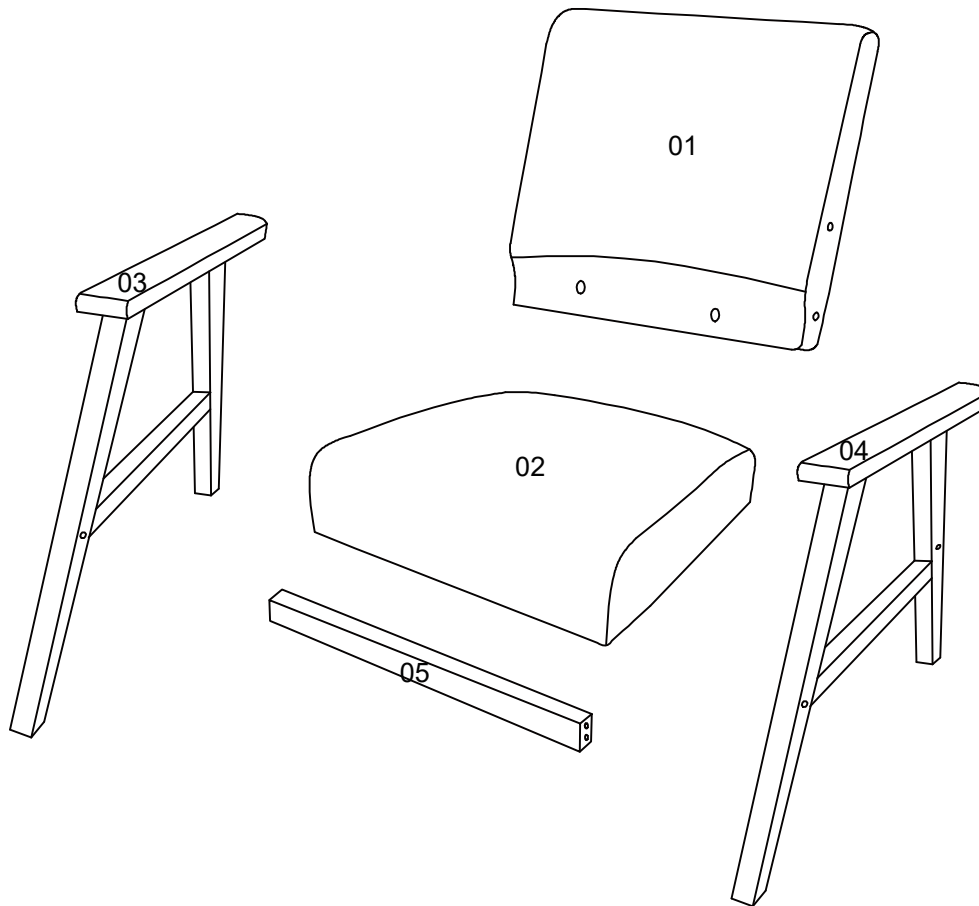
Periodically check all screws & fixings to ensure they are secure.

DO NOT push this product as this will cause damage.

Always lift this product with two people to repositions.







Keep any sharp objects away from this product.



**Parts List**

Part	Description	Box	Qty
01	Back Panel	1	1
02	Seat Platform	1	1
03	Arm panel(Left)	1	1
04	Arm panel(Right)	1	1
05	Crossbar	1	1

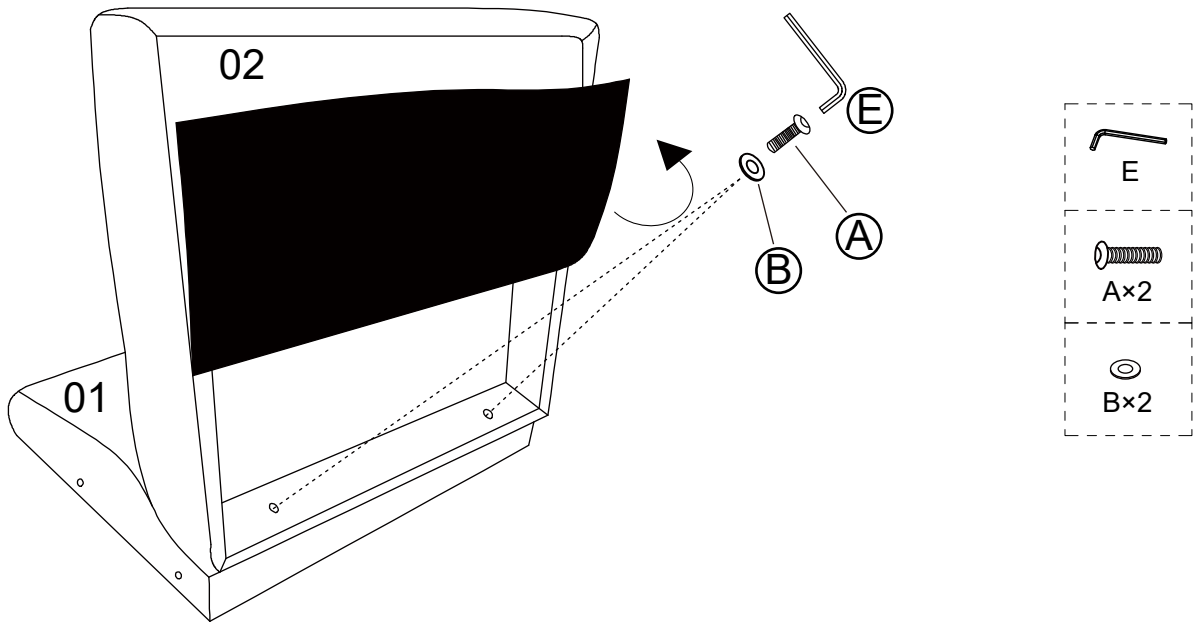
Hardware List (BOX 2)

Part	Description	Qty
A	Bolt 	8
B	Washer 	2
C	Bolt Cap 	6
D	Wooden Dowel 	2
E	Allen key 	1
F	Self- Adhesive Pad 	4

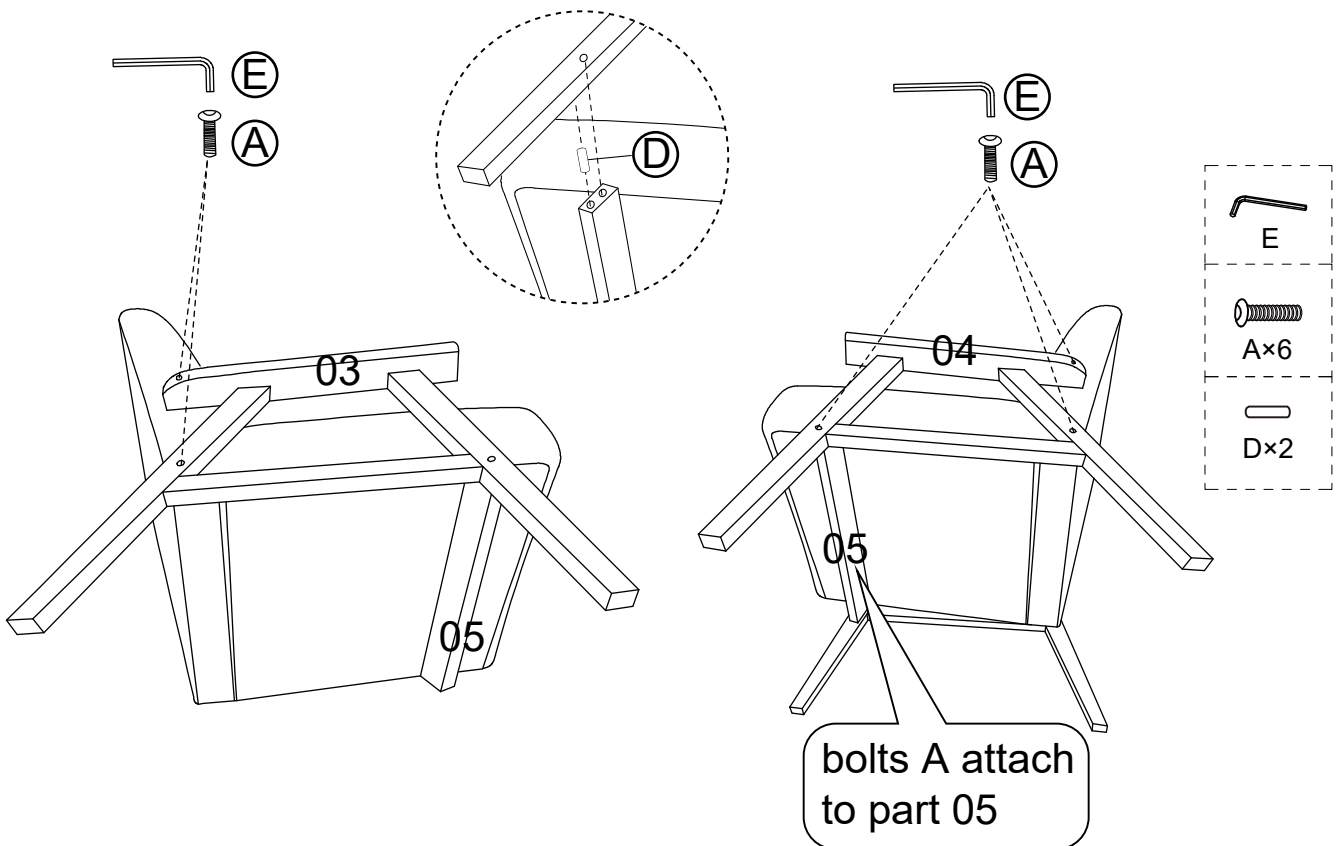
**** You will need a small mallet and a screwdriver for assembly.**

**** Some screws and wooden dowel may remain.**

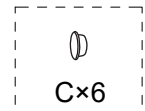
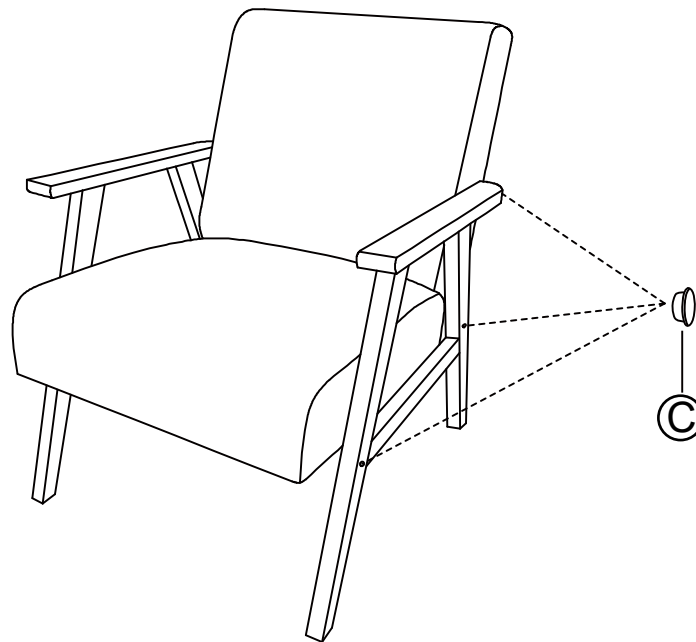
Step 1: Place the seat platform (02) on the rear panel (01) and lock it with bolts (A), (B), and (E).



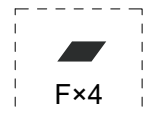
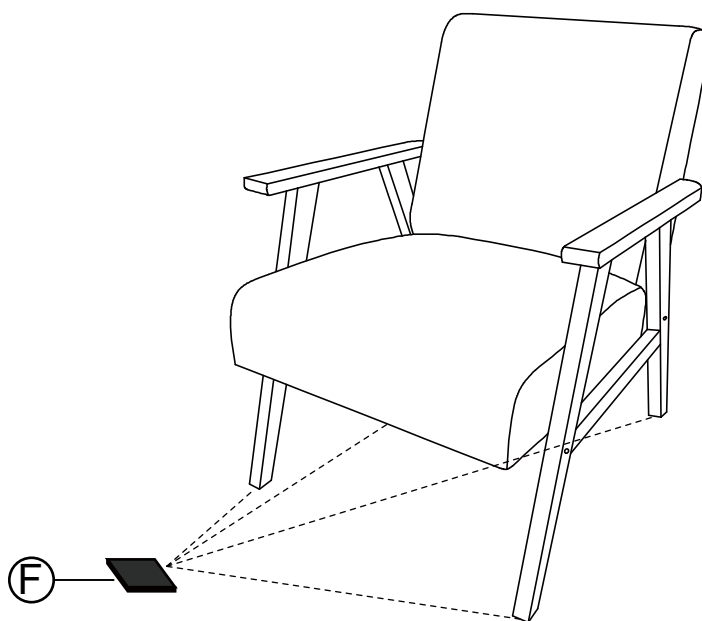
Step 2: Place the Arm panel (03) on the backrest cushion platform, lock it with bolt (A), Insert wooden dowel (D) in each end of part 05, and then lock the crossbar (05) with bolt (A). Then place the other arm panel (03) on the backrest cushion platform, lock it with bolts (A), and lock the crossbar with bolt (A).



Step 3: Insert the bolt caps (C) into the arm panels.



Step 4: Attach the self-adhesive pads (F) to the bottom of the legs.



Additional Information:

- For complete product information, images and dimension diagrams please visit the website www.birlea.com
- If you have any issues with your item please contact the retailer directly you purchased it from who will be able to resolve any issues with Birlea.
- Why don't you send us photos of your assembled furniture to info@birlea.com to be shared in our #birleahome feature on instagram.
- **WARNING:** If this bed is placed on a non-carpeted floor you must place some protection under all leg to stop the bed from moving. If this is not adhered to there is no guarantee if the bed frame collapse.