

# Birlea®

## Assembly Instructions

---

Thank you for  
purchasing a  
Birlea product

For a chance to win a Love2Shop voucher simply post a picture of your new product on your preferred social channels tagging Birlea Furniture. One winner will be selected at random each month.

\*Terms & conditions may apply.

---

### Are you happy with your purchase?

**Yes:** That's great, we would love to hear more from you. Please leave us a review on our Trustpilot link on the QR code here. Your feedback will be greatly appreciated.



**No:** If for any reason there is something missing, indifferent or incorrect with your order, please contact the retailer that you purchased your item from.

Please note that this items build time is around : 30mins



[www.birlea.com](http://www.birlea.com)

**ASSEMBLY INSTRUCTIONS**  
**HERRINGFORD 4 DRAWER CHEST**

IMPORTANT: READ THESE INSTRUCTIONS CAREFULLY BEFORE ASSEMBLING OR USING YOUR HERRINGFORD 4 DRAWER CHEST.

PLEASE KEEP THESE INSTRUCTIONS FOR FUTURE REFERENCE.

**ASSEMBLY:**

Assembly should be carried out with this item laying flat, not standing upright.

Assemble on a soft, clean surface to prevent damages.

To erase the numbers printed on the pieces, use the rubber inside the accessories pack.

**HEALTH & SAFETY:**

DO NOT use this product if any parts are missing, damaged or worn.

DO NOT use this product unless all fixings are secured.

Always use on a level, even surface.

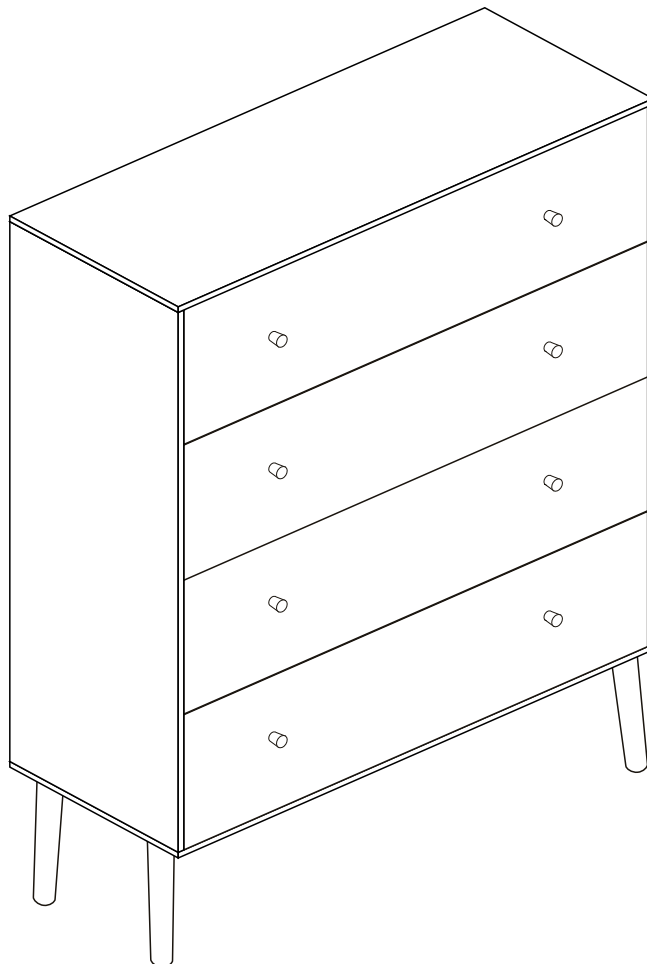
**CARE & MAINTENANCE:**

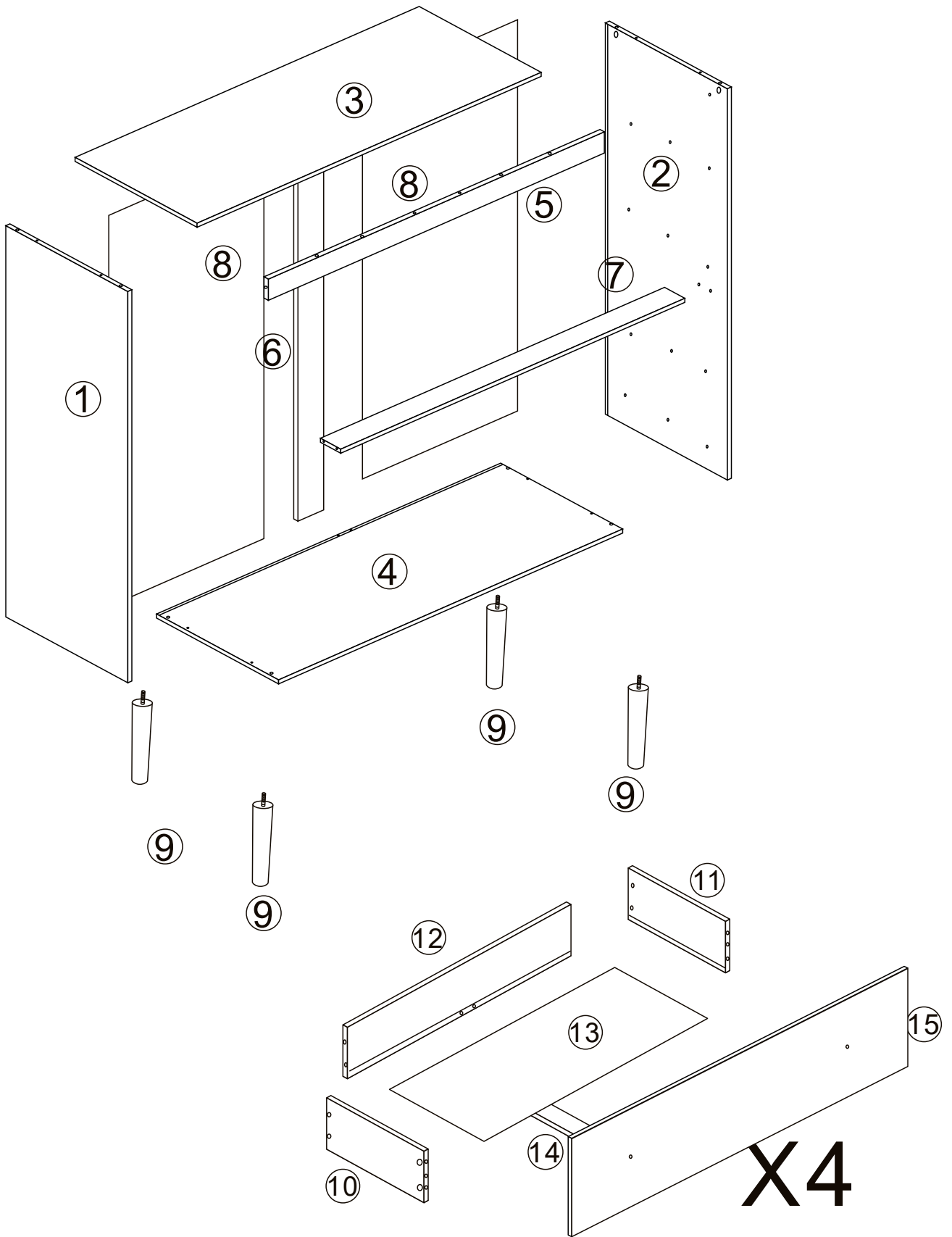
Periodically check all screws & fixings to ensure they are secure.












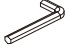



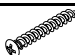




DO NOT push this product as this will cause damage.

Always lift this product with two people to repositions.

Keep any sharp objects away from this product.





Parts List				Hardware List		
Part	Description	Box	QTY	Part	Description	QTY
1	Side Panel(Left)	2	1	A	Cam Bolt 	28
2	Side Panel(Right)	2	1	B	Cam Lock 	28
3	Top Panel	1	1	C	Wooden Dowel 	26
4	Bottom Panel	1	1	D	Screw 	24
5	Top Support Rail	1	1	E	Metal Sheet 	4
6	Back Rail	1	1	F	Screw 	22
7	Connect Panel	1	1	G	Screw 	48
8	Back Panel	2	2	H	Handle Set 	8
9	Wooden Leg	2	4	I	Plastic Wedge Set 	8
10	Drawer Side Panel(Left)	2	4	J	Screw 	6
11	Drawer Side Panel(Right)	2	4	K	Sticker 	16
12	Drawer Back Panel	1	4	L	Allen Key 	1
13	Drawer Bottom Panel	1	4	M	Washer 	2
14	Drawer Support Panel	2	4	N	Safe Strap 	2
15	Drawer Front Panel	1	4	O	Foot Pad 	4
				P	Screw 	4
				DL	Rail 	4
				DR	Rail 	4
				CL	Rail 	4
				CR	Rail 	4

**\*\* You will need a small mallet and a screwdriver for assembly.**

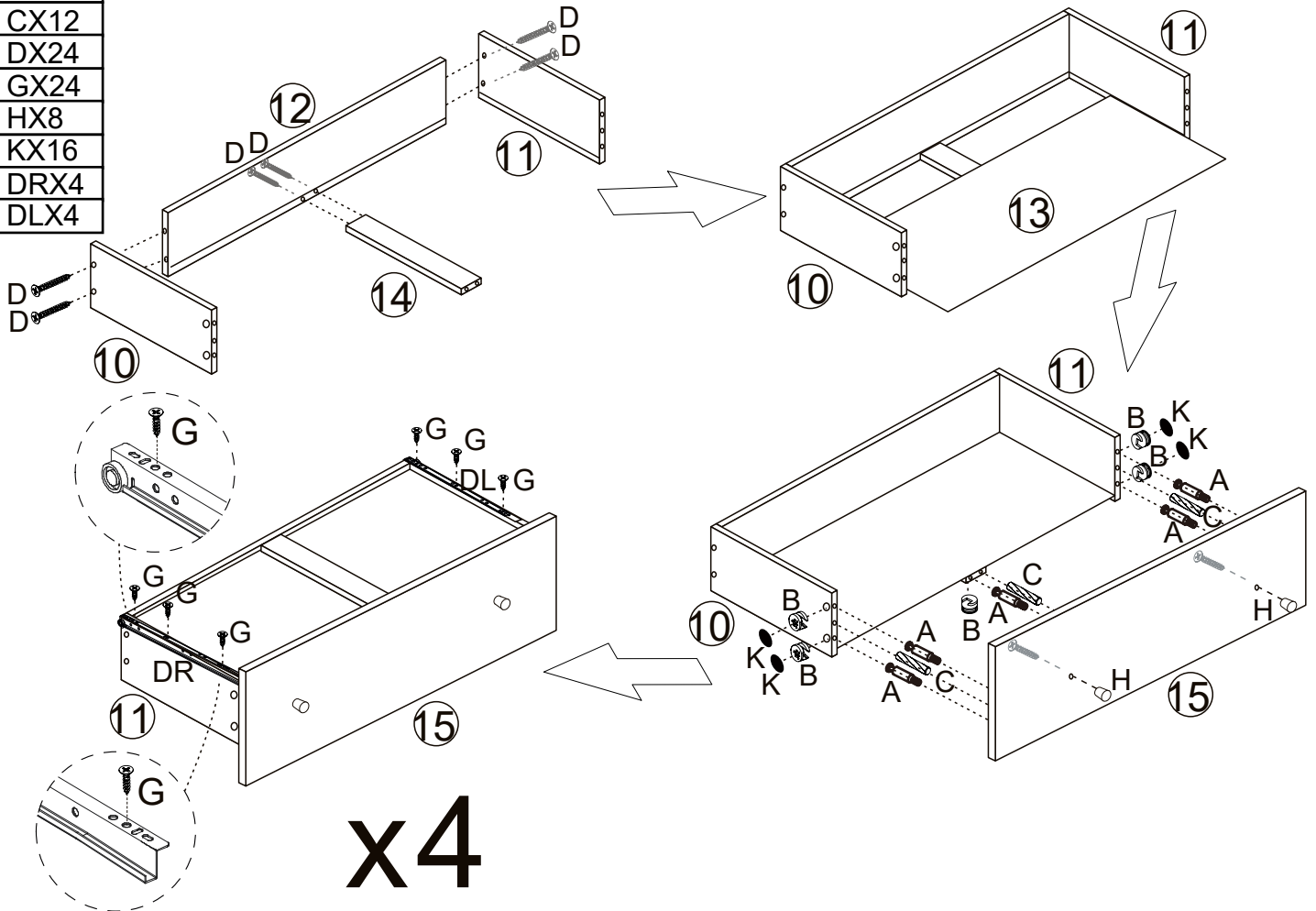
**\*\* Some screws and wooden dowel may remain.**

**\*\* Note : To secure the item to the wall.**

**STEP 1:** Assemble the drawer side panels(10),(11) back panel(12) and support bar(14) by hardware D;  
 Attach the bottom panel(13) before assembly the drawer front panel;  
 Attach the drawer front panel(15) by hardware A,B,C,K;and then,assemble the handle(H);  
 Attach the hardware(DL),(DR) by hardware G.

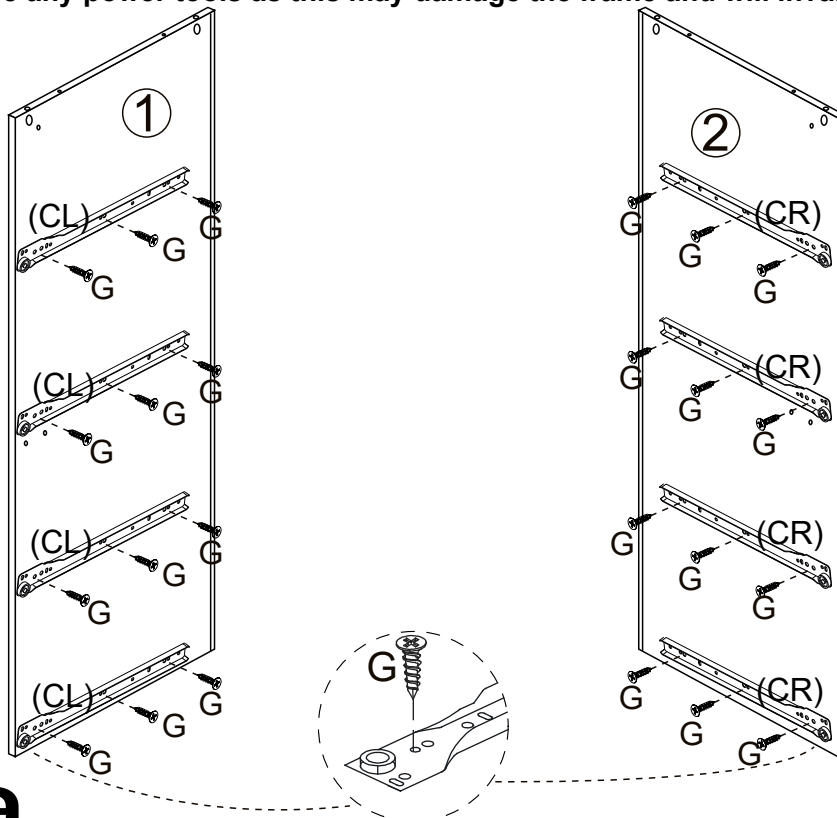
**DO NOT use any power tools as this may damage the frame and will invalidate any claim.**

AX20
BX20
CX12
DX24
GX24
HX8
KX16
DRX4
DLX4



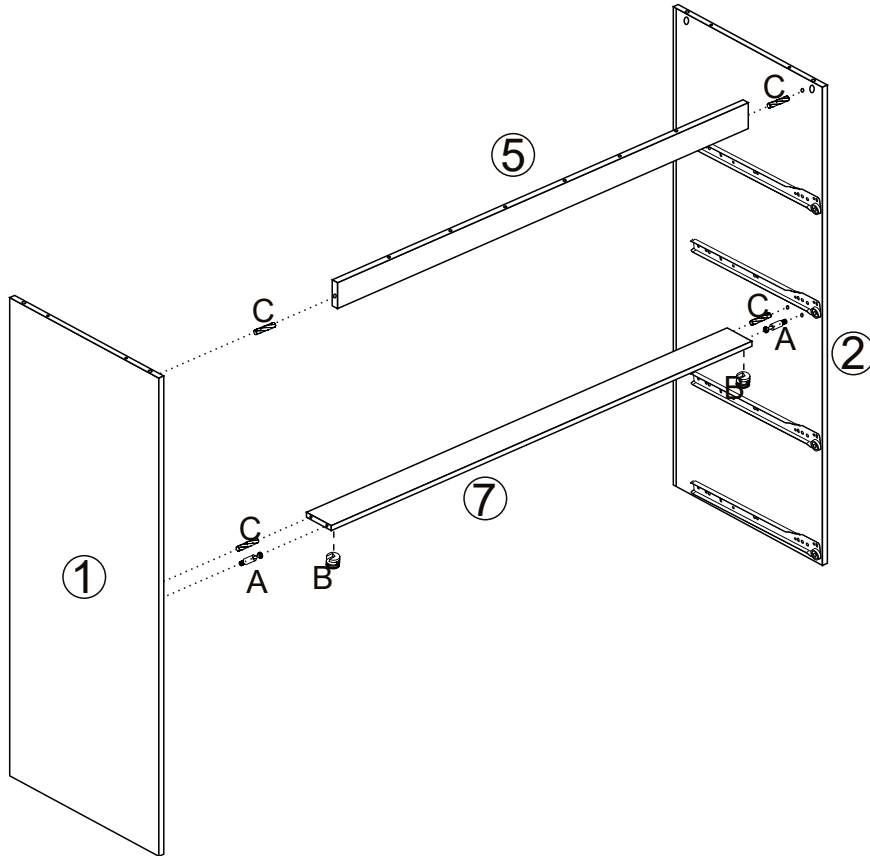
**STEP 2:** Assemble hardware(CL) on left side panel(1) by hardware G;  
 Assemble hardware(CR) on right side panel(2) by hardware G;  
**DO NOT use any power tools as this may damage the frame and will invalidate any claim.**

CLX4
CRX4
GX24



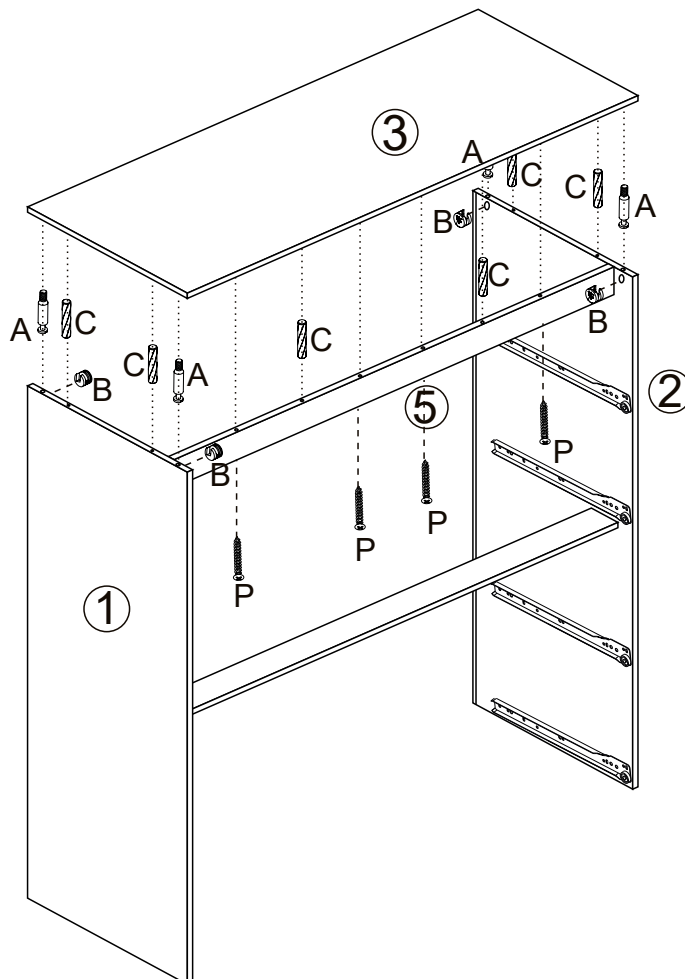
**STEP 3:** Assemble the top support rail(5), the connect panel(7) with side panels(1),(2) by hardware A,B,C.  
**DO NOT use any power tools as this may damage the frame and will invalidate any claim.**

AX2
BX2
CX4



**STEP 4:** Assemble the top panel(3) with top support rail(5) by hardware C,P. Then, assemble with the chest frame by hardware A,B,C.  
**DO NOT use any power tools as this may damage the frame and will invalidate any claim.**

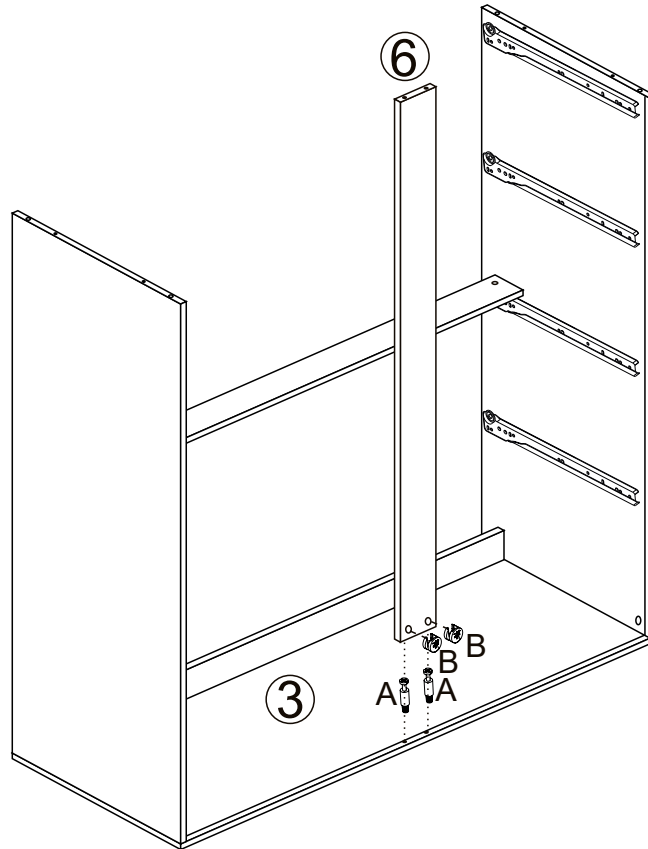
AX4
BX4
CX6
PX4



**STEP 5:** Assemble the connect panel(6) with the top panel(3) by hardware A,B.

**DO NOT use any power tools as this may damage the frame and will invalidate any claim.**

AX2
BX2

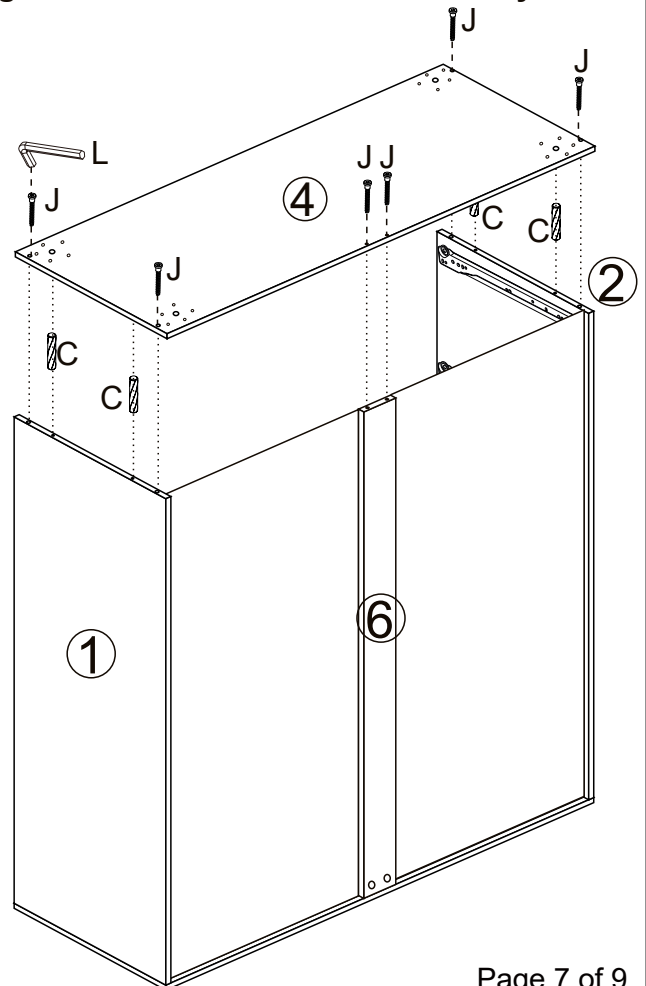
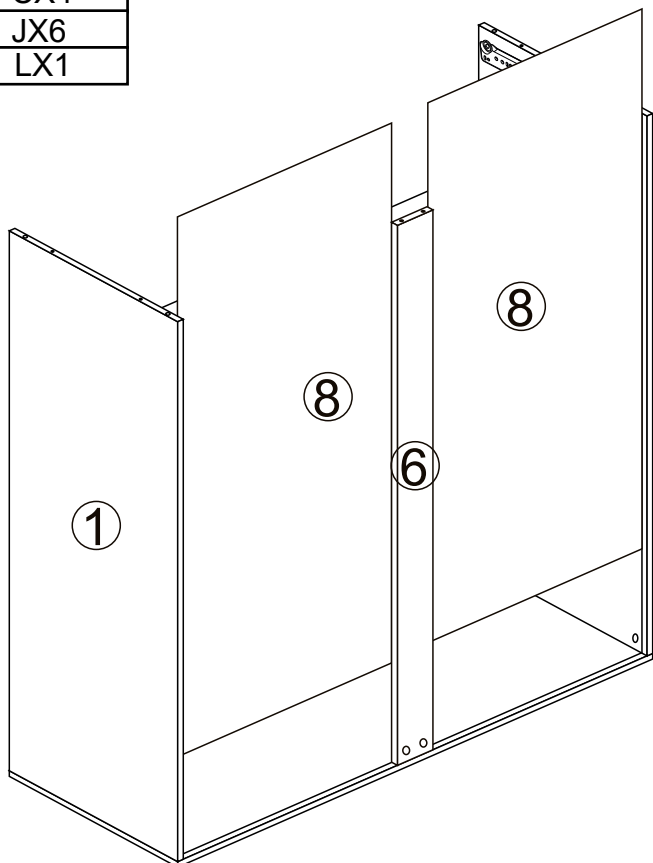


**STEP 6:** Attach two back panels(8) before assemble the bottom panel;

Assemble the bottom panel(4) with the chest frame by hardware C,J,L;

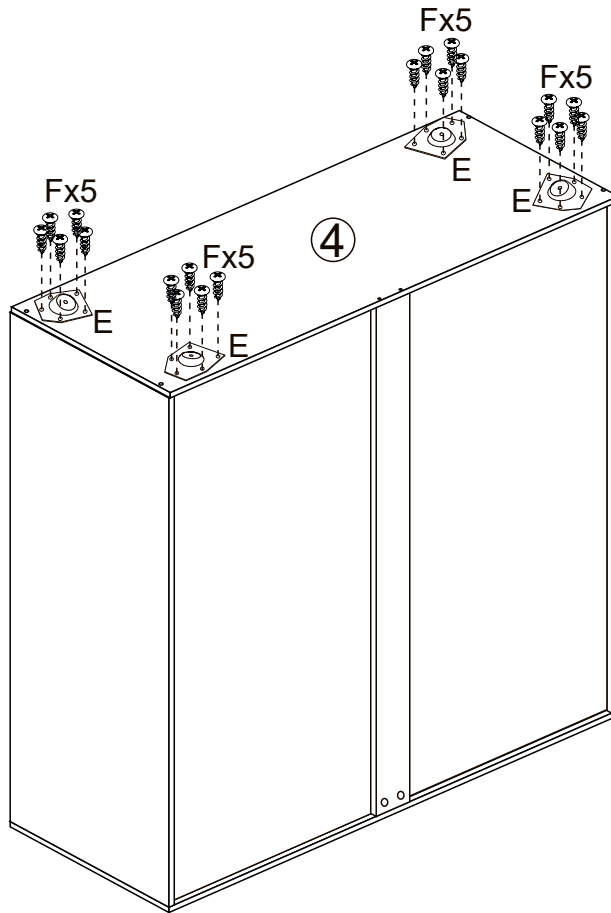
**DO NOT use any power tools as this may damage the frame and will invalidate any claim.**

CX4
JX6
LX1



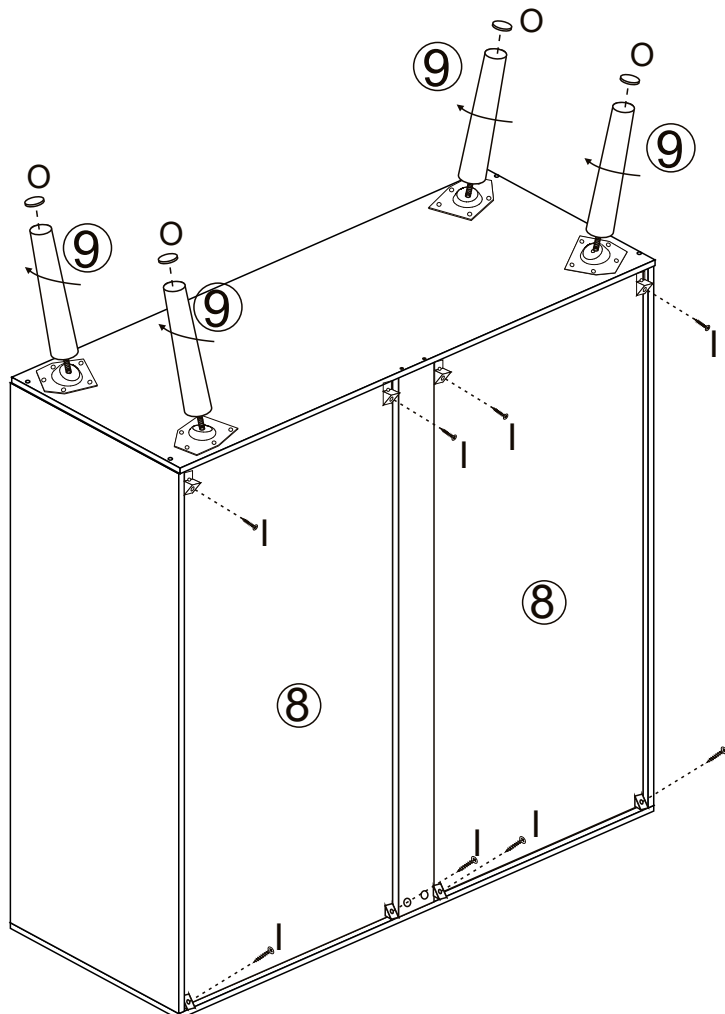
**STEP 7:** Attach the leg metal sheet(E) on the bottom panel(4) by hardware F.  
**DO NOT use any power tools as this may damage the frame and will invalidate any claim.**

EX4
FX20



**STEP 8:** Attach the legs(9),and then attach the pad(O);Attach the hardware(I) on the back of the item.  
**DO NOT use any power tools as this may damage the frame and will invalidate any claim.**

IX8
OX4

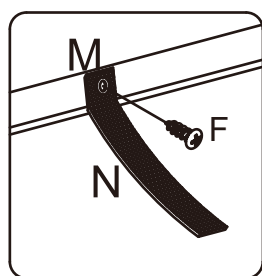




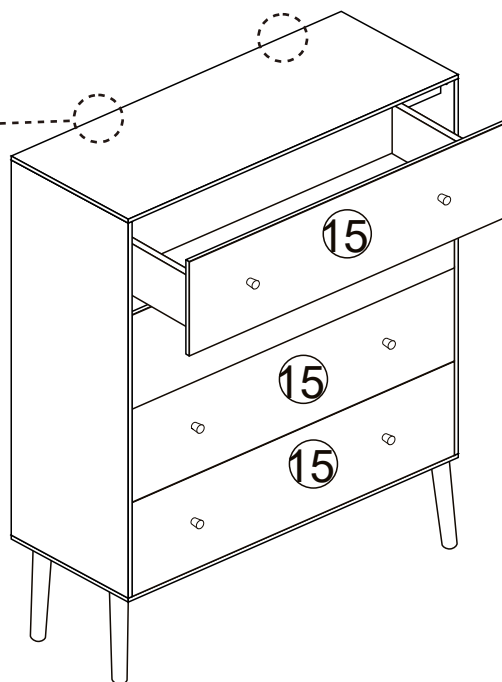
**STEP 9:** Secure the safty strap(N) by hardware F,M.

**DO NOT use any power tools as this may damage the frame and will invalidate any claim.**

FX2
MX2
NX2



X2



**PLEASE NOTE** that wall fixings are not supplied as different wall materials require different fixing devices. You must use fixings devices suitable for the type of wall you intend to mount product to. Ensure the head of any screw used has a diameter greater than the mounting hole and the fixing is safe and secure before use.



## WARNING!

In order to prevent overturning this product must be used with the wall attachment device provided. Serious or fatal crushing injuries can occur from furniture tipping over. To help prevent topple over:-

- Use the wall attachment devices provided
- Never allow children to climb or hang on drawers or doors
- Do not overload the drawer beyond maximum recommended loading
- Place heaviest items in the lower drawers or shelves
- Unless specifically designed to accommodate, do not set TV's or other heavy objects on top of this product
- Never open more than one drawer at a time
- Do not hang things from the doors

An attachment device is provided with your product, however you will need to source suitable fixings for your wall type. If in doubt consult a qualified trades person.

Always ensure that the wall to be drilled into is free from hidden electrical wire, water and gas pipe.

Birlea Furniture advise that the wall straps provided should be used to further enhance the safety of this product.

### Additional Information:

- For complete product information, images and dimension diagrams please visit the website [www.birlea.com](http://www.birlea.com)
- If you have any issues with your item please contact the retailer directly you purchased it from who will be able to resolve any issues with Birlea.
- Why don't you send us photos of your assembled furniture to [info@birlea.com](mailto:info@birlea.com) to be shared in our #birleahome feature on instagram.