

Birlea®

Assembly Instructions

Thank you for
purchasing a
Birlea product

For a chance to win a Love2Shop voucher simply post a picture of your new product on your preferred social channels tagging Birlea Furniture. One winner will be selected at random each month.

*Terms & conditions may apply.

Are you happy with your purchase?

Yes: That's great, we would love to hear more from you. Please leave us a review on our Trustpilot link on the QR code here. Your feedback will be greatly appreciated.



No: If for any reason there is something missing, indifferent or incorrect with your order, please contact the retailer that you purchased your item from.

Please note that this items build time is around : 60mins



www.birlea.com

ASSEMBLY INSTRUCTIONS HERRINGFORD 5' OTTOMAN BED

IMPORTANT: READ THESE INSTRUCTIONS CAREFULLY BEFORE ASSEMBLING OR USING YOUR HERRINGFORD 5' OTTOMAN BED.

PLEASE KEEP THESE INSTRUCTIONS FOR FUTURE REFERENCE.

HEALTH & SAFETY:

DO NOT jump on this bed frame.

DO NOT use this bed frame if any parts are missing, damaged or worn.

DO NOT use this bed frame unless all fixings are secured.

Please keep small parts out of reach of children.

Always use on a level, even surface.

WARNING: If this bed is placed on a non-carpeted floor you must place some protection under all legs to stop the bed frame from moving. If this is not adhered to there is no guarantee if the bed frame collapses.

WARNING: Take care when assembling the base, assemble the ottoman as close to its final position. The ottoman has a powerful mechanism and after assembly should only be opened when the bed mattress is in place.

CARE & MAINTENANCE:

Assemble in the room of use.

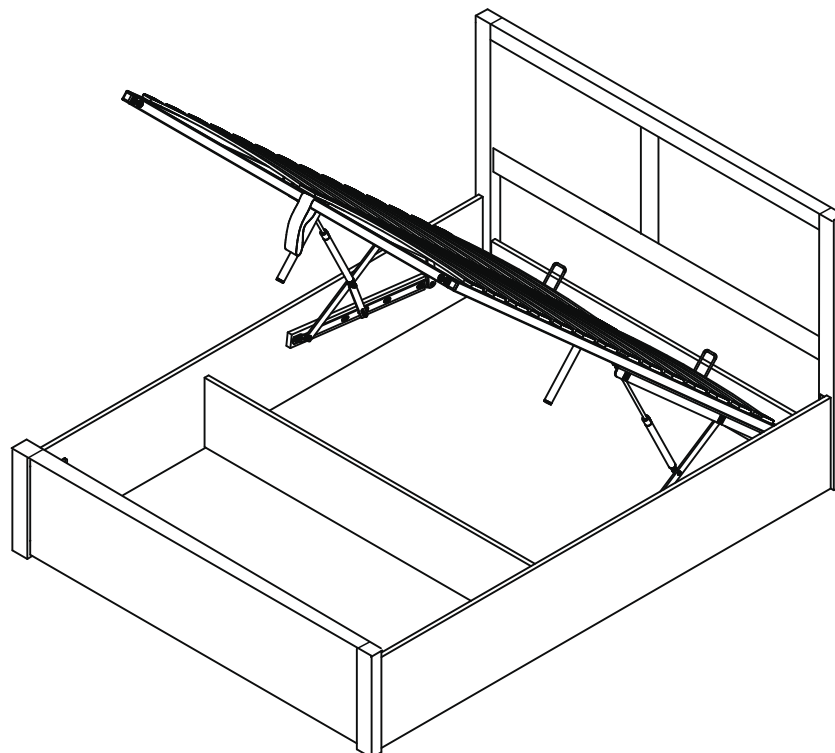
Periodically check all screws & fixings to ensure they are secure.

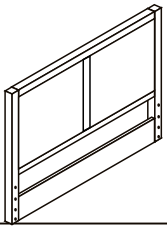
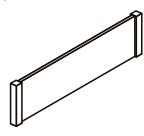

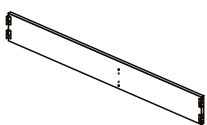
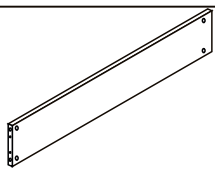
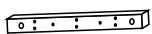







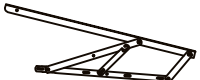


DO NOT push the bed frame as this will damage the legs.












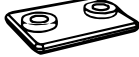


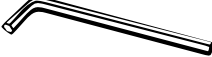




Always lift the bed with two people to reposition.

Keep any sharp objects away from the frame.

Assembly must be done by two persons.



Parts List				
Parts	Description		Qty	Box
1	Headboard Frame		1	1/3
2	Footboard Frame		1	1/3
3	Left Side Rail		1	2/3
4	Right Side Rail		1	
5	Centre Storage Panel		1	
6	Hydraulic Arm Spacer		2	
11	Left Side Metal Bar		1	3/3
12	Right Side Metal Bar		1	
13	Headboard End Metal Bar		1	
14	Footboard End Metal Bar		1	
15	Center Metal Bar		1	
16	Support Leg		2	
17	Slat		38	3/3
18	Left Hydraulic Base Support c/w Pump Stopper		1	3/3
19	Right Hydraulic Base Support		1	
20	Hydraulic Base Pump		2	

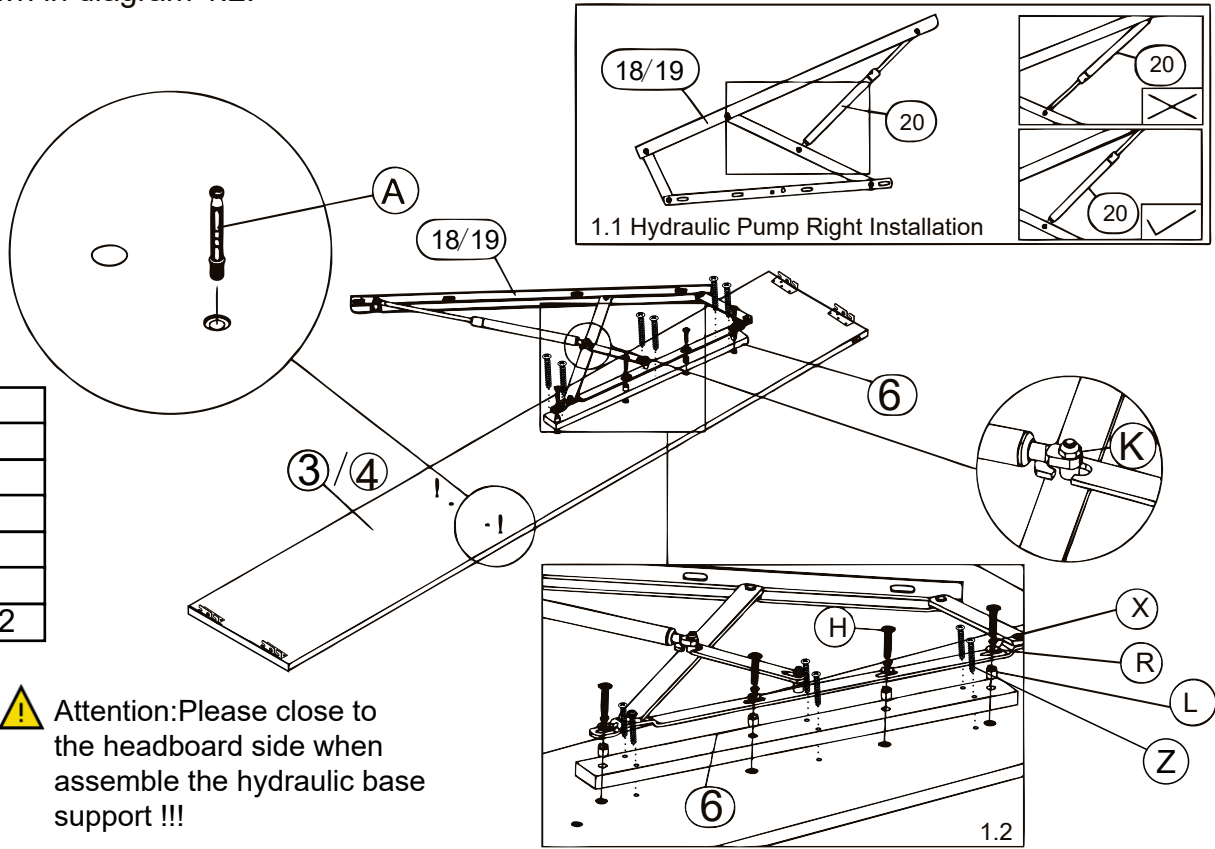
Hardware List (Found in box 3)				
Parts	Description		Qty	Box
A	Mini Fix		4	3/3
B	8x30 mm Wooden Dowel		4	3/3
C	Metal Corner Block		2	3/3
G	M8x15 mm JCBC Bolt		32	3/3
H	M8x45 mm JCBC Bolt		14	3/3
J	Base Handle		2	3/3
K	M8 Nut		4	3/3
L	Plastic Washer		8	3/3
M	Single Slat Cap		38	3/3
N	Double Slat Cap		19	3/3
P	Belt Handle		1	3/3
Q	Washer Bracket		4	3/3
R	Flat Washer		30	3/3
S	M8x40 mm JCBC Bolt		8	3/3
U	M8 Allen Key		1	3/3
V	M12.8 Spanner		1	3/3
W	Washer Bracket		6	3/3
X	Spring Washer		30	3/3
Z	Screws by M4x25mm		12	3/3

** You will also need a screwdriver and small mallet (not provided).

Step 1: Firstly, fix the hydraulic pump to each hydraulic base as shown in diagram 1.1. Next fix the left and right hydraulic spacer together with the hydraulic base supports on to both side rails using bolts H. Then fix the left and right hydraulic spacer on to both side rails using screws Z.

Ensure Plastic washers (part L) are used between the Hydraulic spacer (part 6) and the hydraulic base support (parts 18/19) as shown in the image.

Then screw the mini fit part A to both side rails as shown in diagram 1.2.

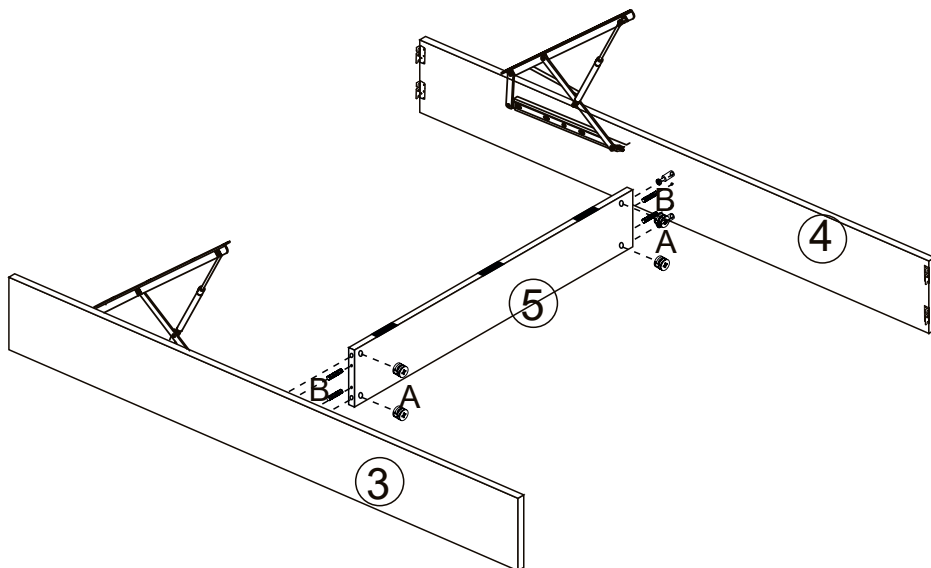


AX4
HX8
KX4
LX8
RX8
XX8
ZX12

⚠ Attention: Please close to the headboard side when assemble the hydraulic base support !!!

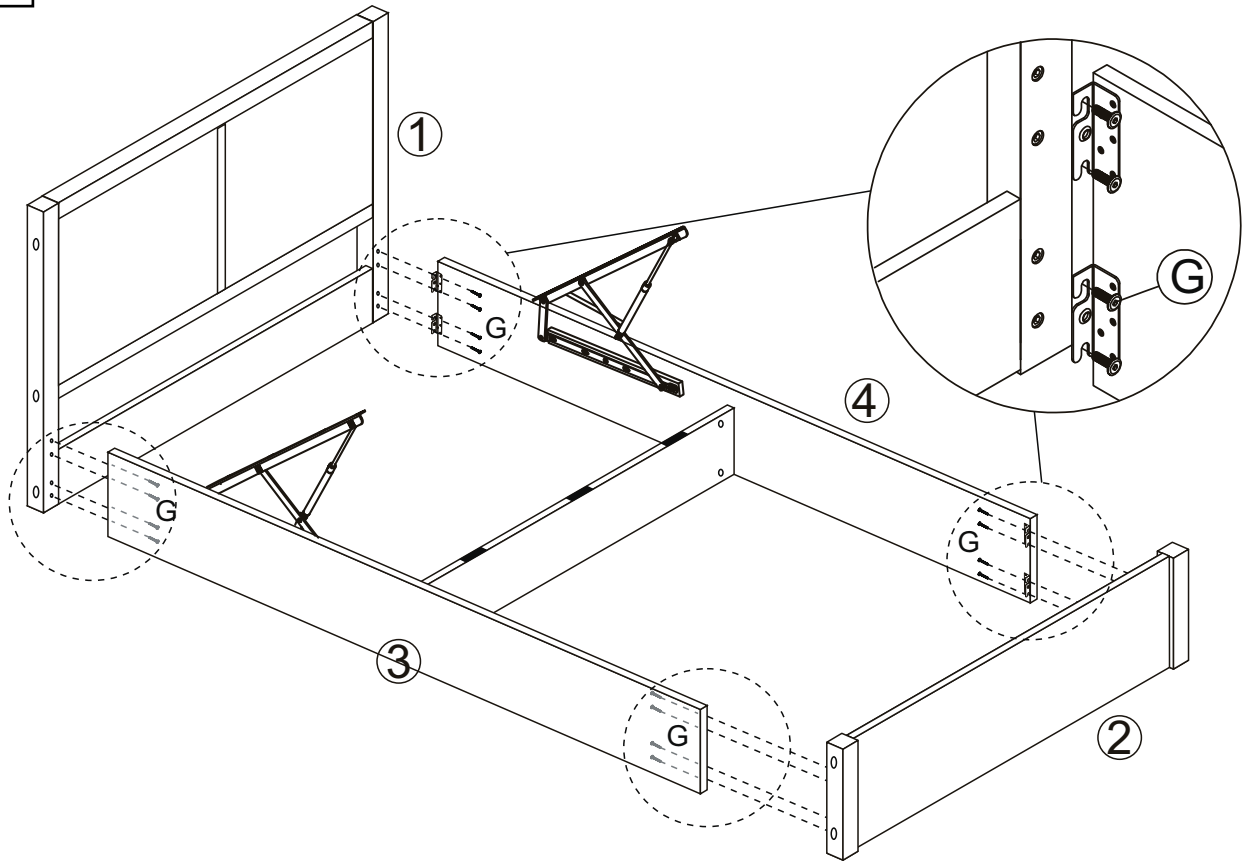
Step 2: Join together the left side rail (3) and right side rail (4) with the centre storage panel (5) using hardware parts A and B.

AX4
BX4



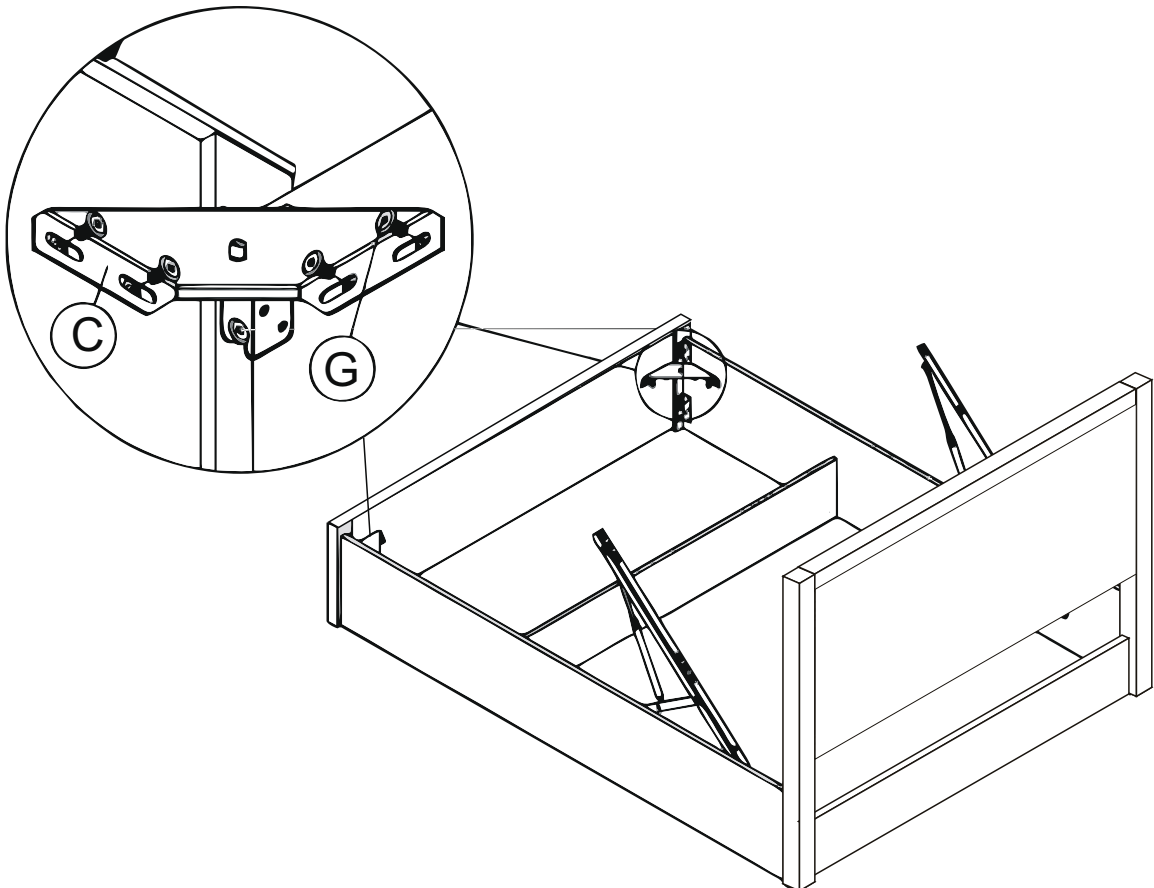
Step 3: Fix the Headboard(1) and Footboard(2) with the bed frame by Hardware(G).

GX16



Step 4: Fix the Metal Corner Block(C) by Hardware(G).

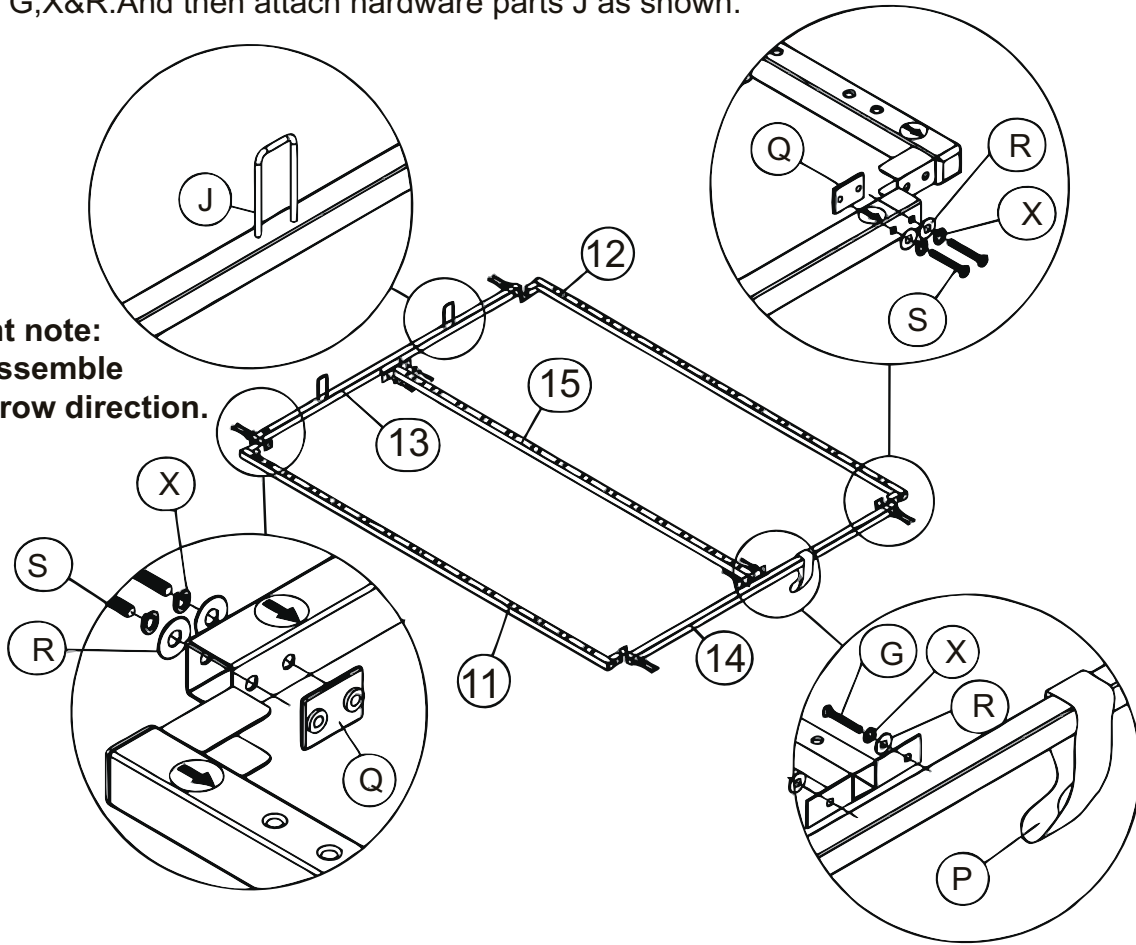
CX2
GX8



Step 5: Join together all the bed base parts (11),(12),(13) and (14) using hardware parts S,X & R and also slide part P onto Part 14 before bolting together. Attach the centre rail(15) with Metal Frame by hardware G,X&R.And then attach hardware parts J as shown.

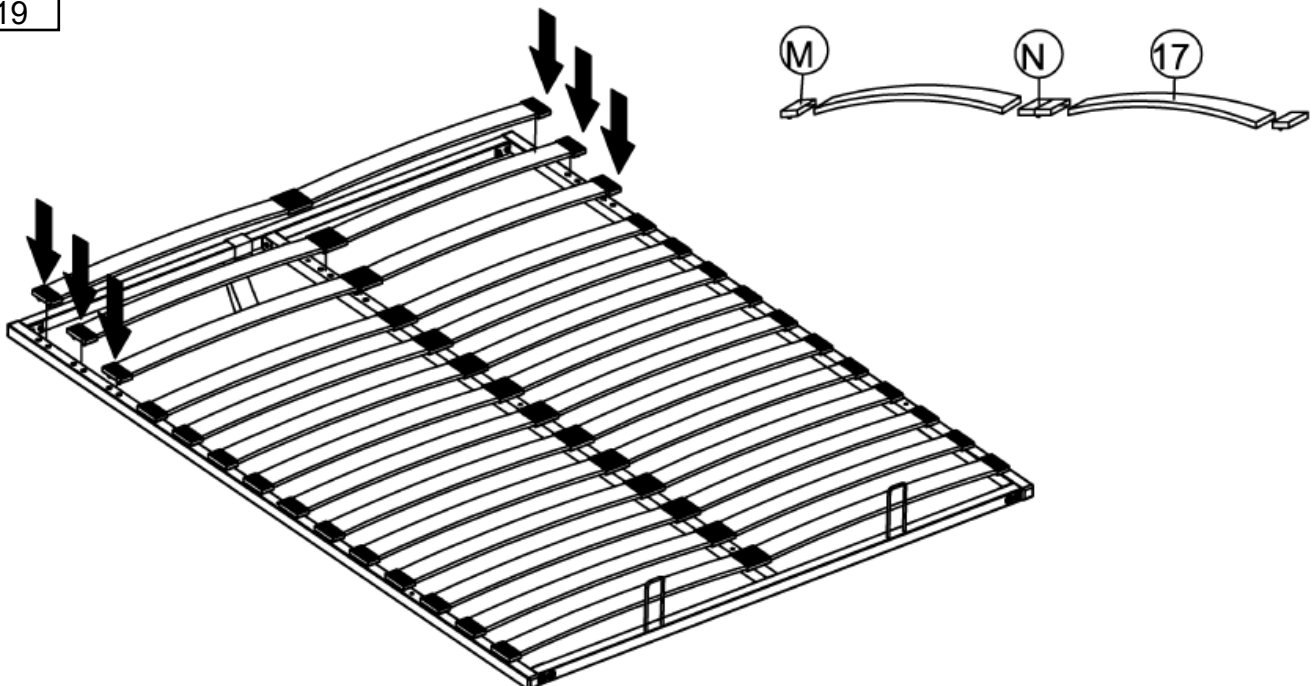
JX2
GX4
PX1
QX4
RX12
XX12
SX8

Important note:
Please assemble
follow arrow direction.



Step 6: Insert the slats (17) to hardware parts M and N then press into the base making sure they are secure.

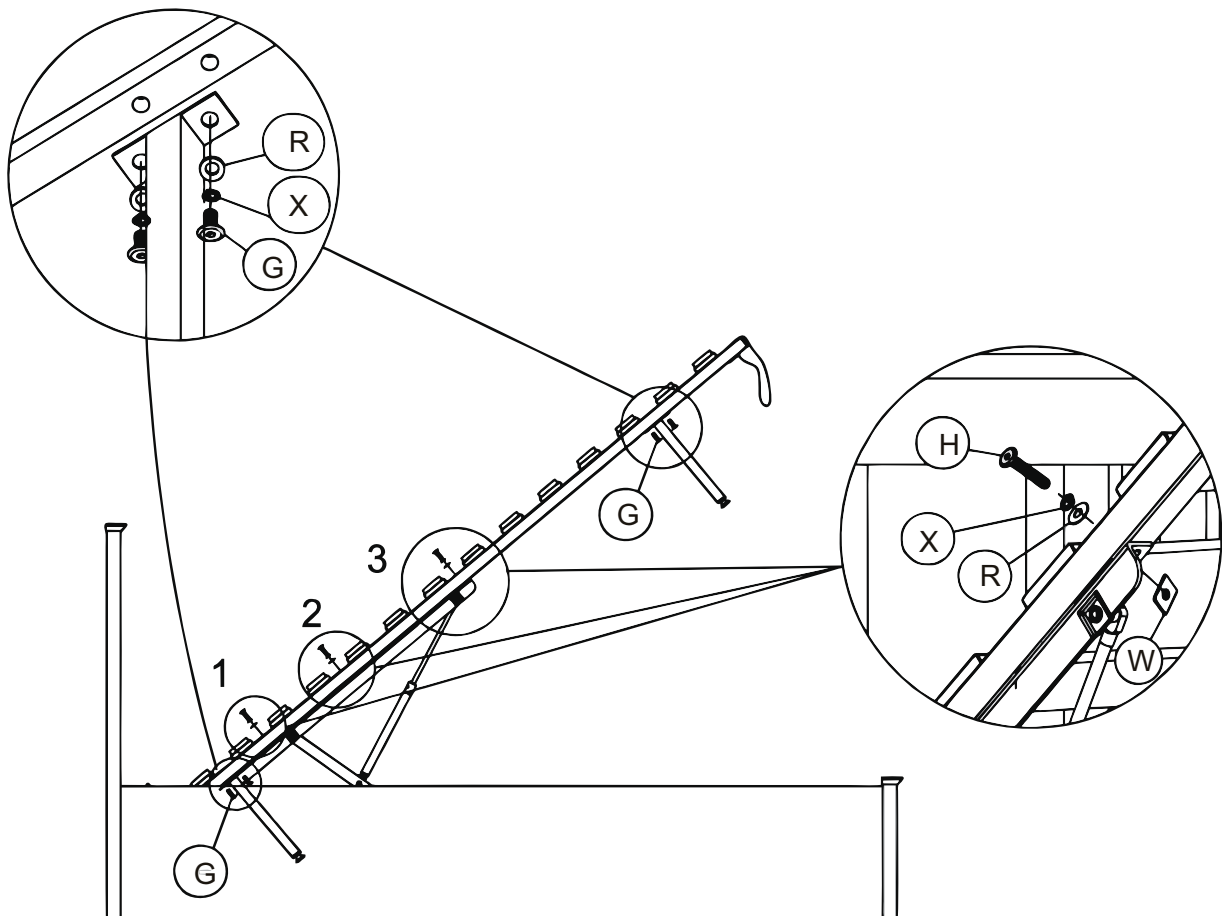
MX38
NX19



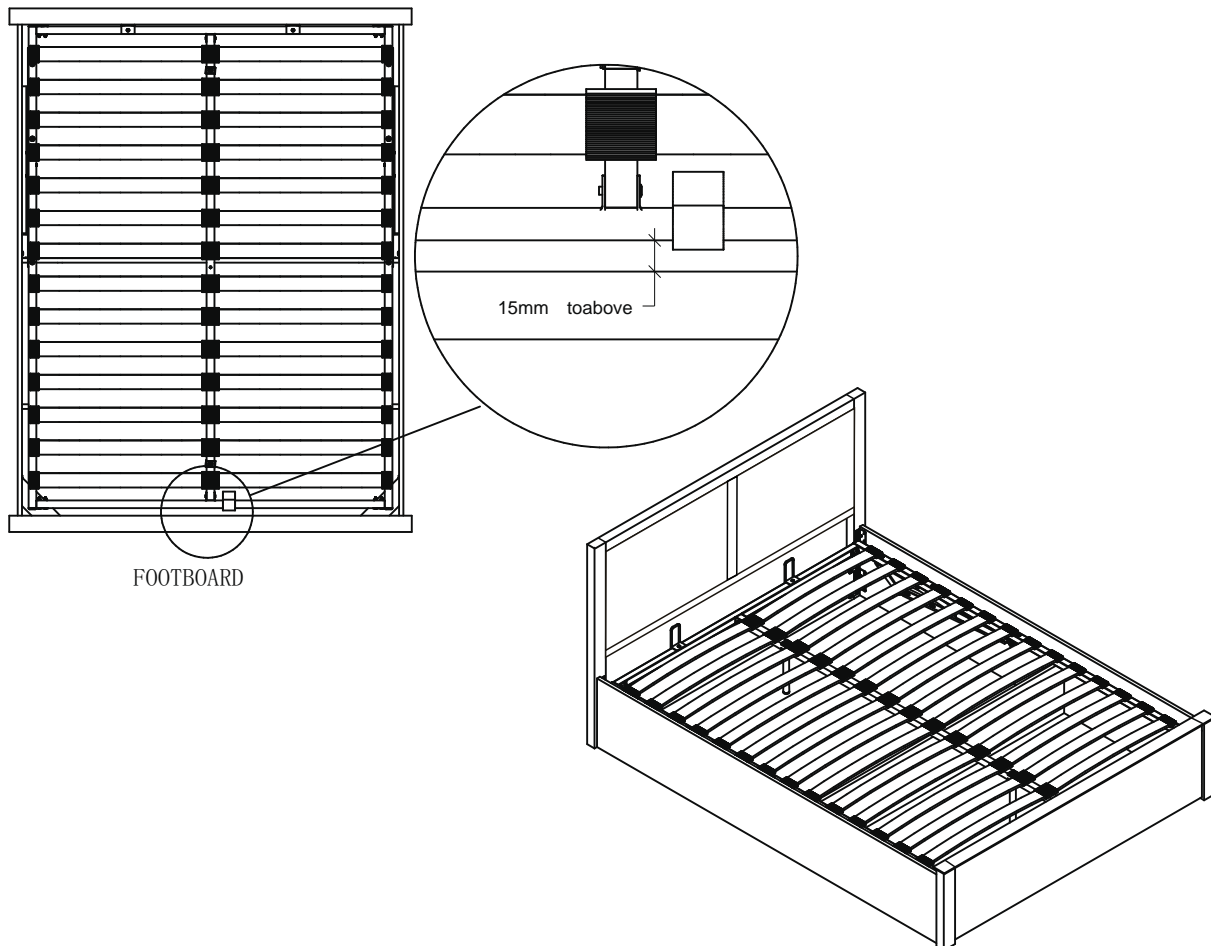
Step 7: Assemble the bed base on the right & left hydraulic frame starting from '1' to '3' as shown with Hardware H, X, R & W, and fix the support leg (16) to the bed base by Hardware G, X & R as shown .

Important note: Do not tighten the bolts yet!, and this assemble must be done by two persons.

GX4
HX6
RX10
WX6
XX10



Step 8: Adjust the bed base making sure that the distance to the footboard is approximately 15mm to above . Tighten all bolts and screws now.

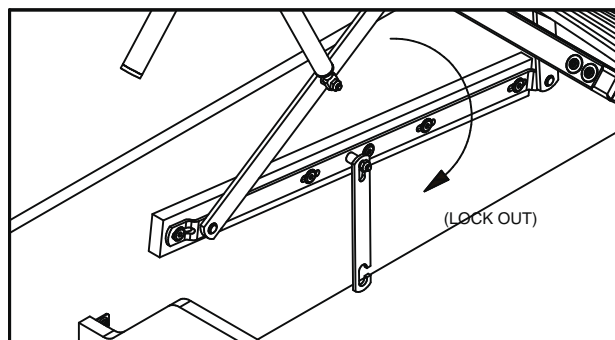
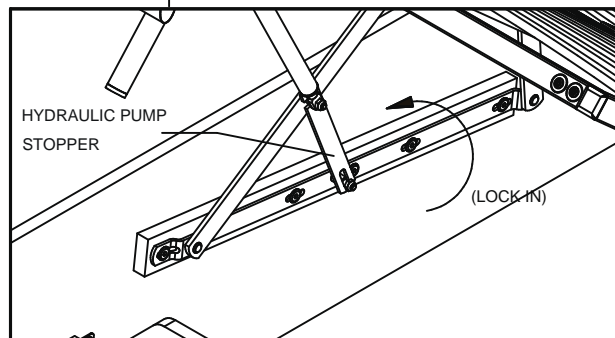
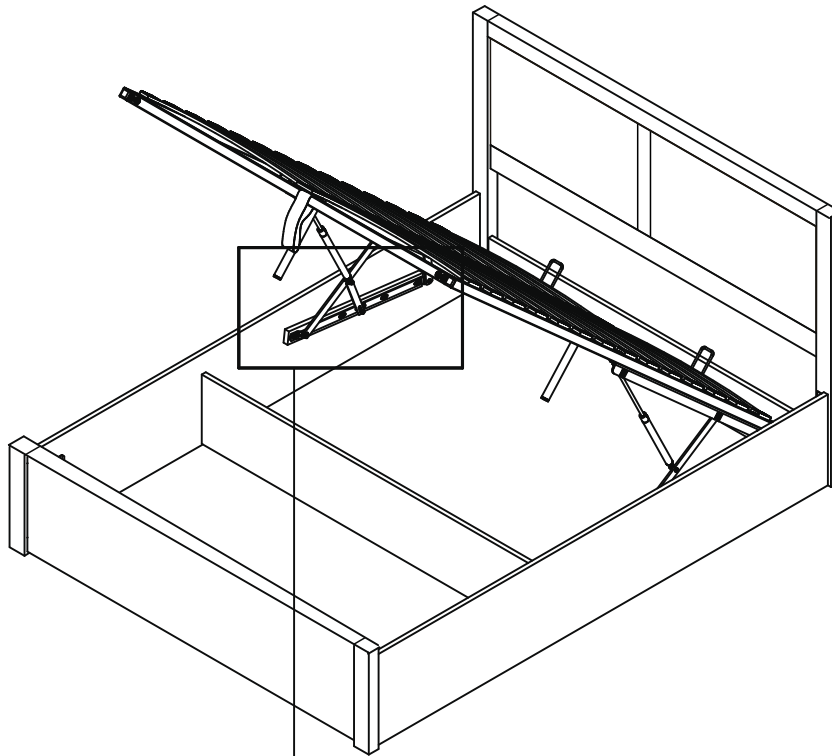


Additional Information:

- For complete product information, images and dimension diagrams please visit the website www.birlea.com
- If you have any issues with your item please contact the retailer directly you purchased it from who will be able to resolve any issues with Birlea.
- Why don't you send us photos of your assembled furniture to info@birlea.com to be shared in our #birleahome feature on Instagram.

CAUTION :

PLEASE USE HYDRAULIC PUMP STOPPER FOR SAFETY PURPOSE.



Important Ottoman Safety Warnings

- . Caution. This bed uses a pressurised mechanism.
- . Use caution when operating - Always use two hands at arm's length, and only where illustrated on the product.
- . You must ensure the mattress is on the bed frame before lifting the mechanism - Failure to do so may result in injury.
- . Please ensure Children and pets are kept away from the bed when operating the bed mechanism.
- . If removing the mattress, make sure that the frame is secured as it could flip open.
- . Only use the storage compartment when the frame is fully raised in the 'up' position.
- . No children or animals are left unattended when the frame is in the 'up' position.
- . Do not remain on the bed whilst the lifting mechanism is in use.
- . Beware of Entrapment - Keep both hands clear of mechanism when operating the mechanism.
- . When lifting the bed remove all bedding - Except the fitted sheet.

