

Birlea®

Assembly Instructions

Thank you for
purchasing a
Birlea product

For a chance to win a Love2Shop voucher simply post a picture of your new product on your preferred social channels tagging Birlea Furniture. One winner will be selected at random each month.

*Terms & conditions may apply.

Are you happy with your purchase?

Yes: That's great, we would love to hear more from you. Please leave us a review on our Trustpilot link on the QR code here. Your feedback will be greatly appreciated.



No: If for any reason there is something missing, indifferent or incorrect with your order, please contact the retailer that you purchased your item from.

Please note that this items build time is around : 30mins



www.birlea.com

ASSEMBLY INSTRUCTIONS 150CM HERRINGFORD BED

IMPORTANT: READ THESE INSTRUCTIONS CAREFULLY BEFORE ASSEMBLING OR USING YOUR 150CM HERRINGFORD BED.

PLEASE KEEP THESE INSTRUCTIONS FOR FUTURE REFERENCE.

HEALTH & SAFETY:

DO NOT jump on this bed frame.

DO NOT use this bed frame if any parts are missing, damaged or worn.

DO NOT use this bed frame unless all fixings are secured.

Please keep small parts out of reach of children.

Always use on a level, even surface.

WARNING: If this bed is placed on a non-carpeted floor you must place some protection under all legs to stop the bed frame from moving. If this is not adhered to there is no guarantee if the bed frame collapses.

WARNING: Take care when assembling the base, assemble the ottoman as close to its final position. The ottoman has a powerful mechanism and after assembly should only be opened when the bed mattress is in place.

CARE & MAINTENANCE:

Assemble in the room of use.

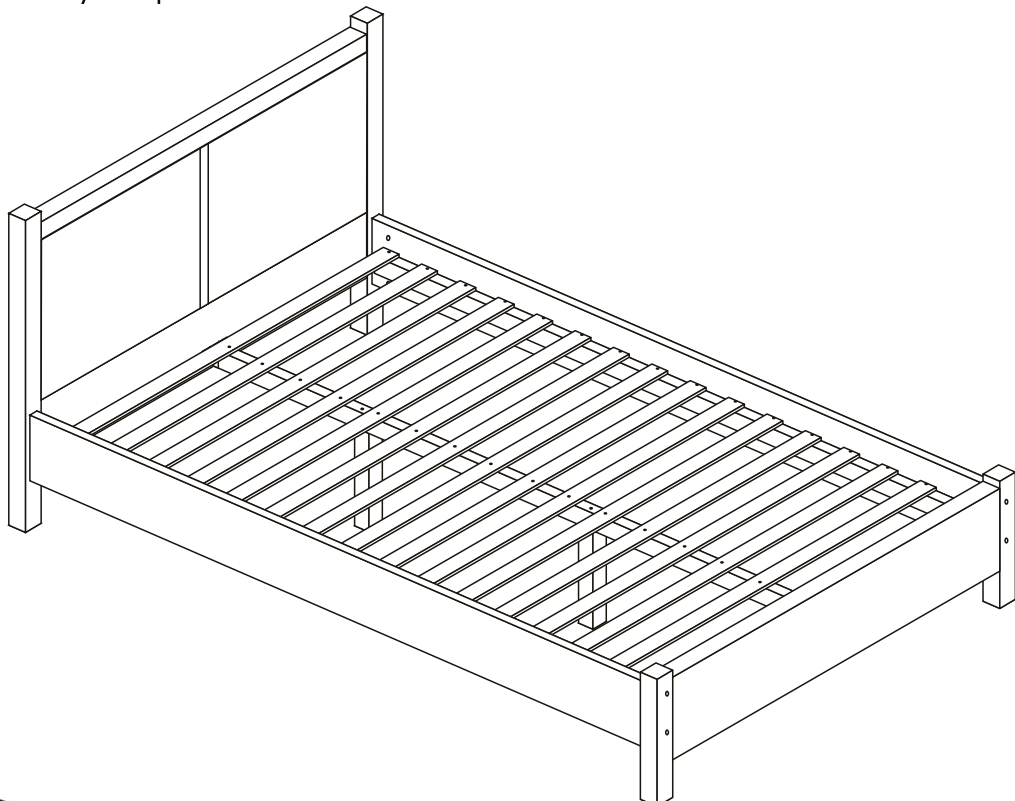
Periodically check all screws & fixings to ensure they are secure.

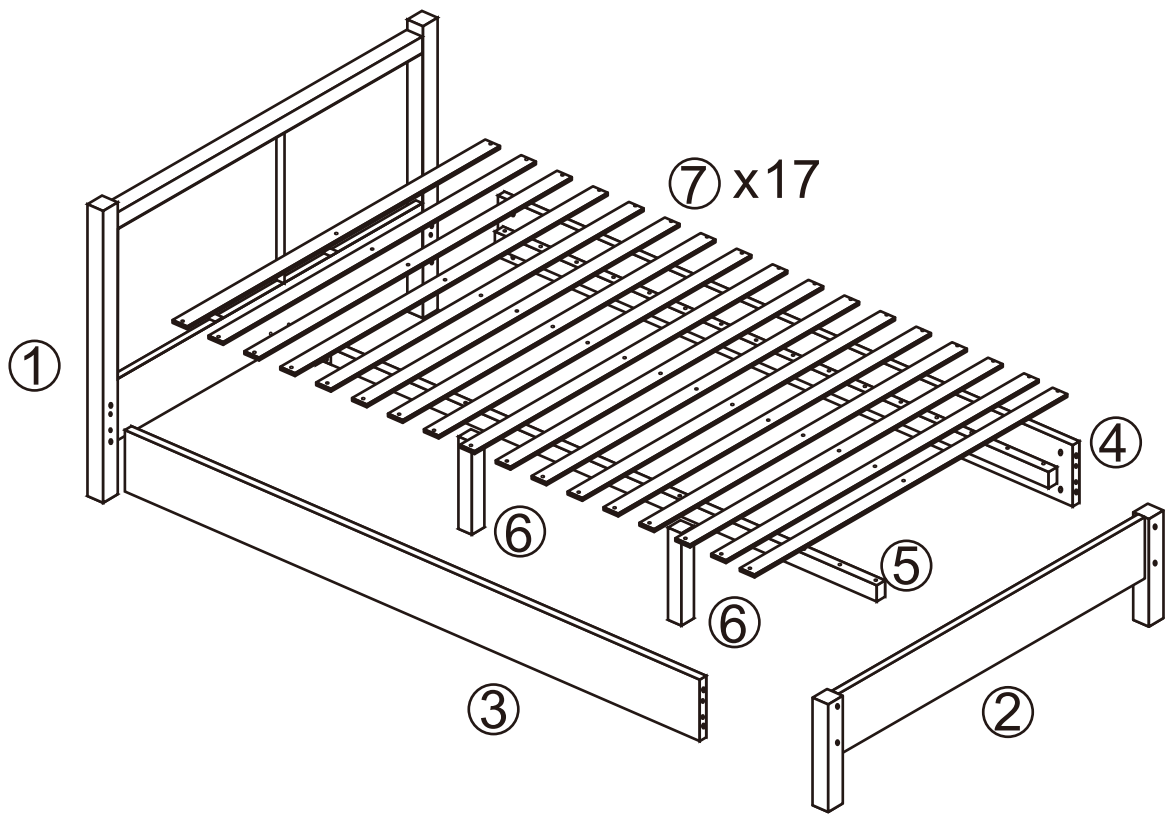
DO NOT push the bed frame as this will damage the legs.









Always lift the bed with two people to reposition.

Keep any sharp objects away from the frame.

Assembly must be done by two persons.



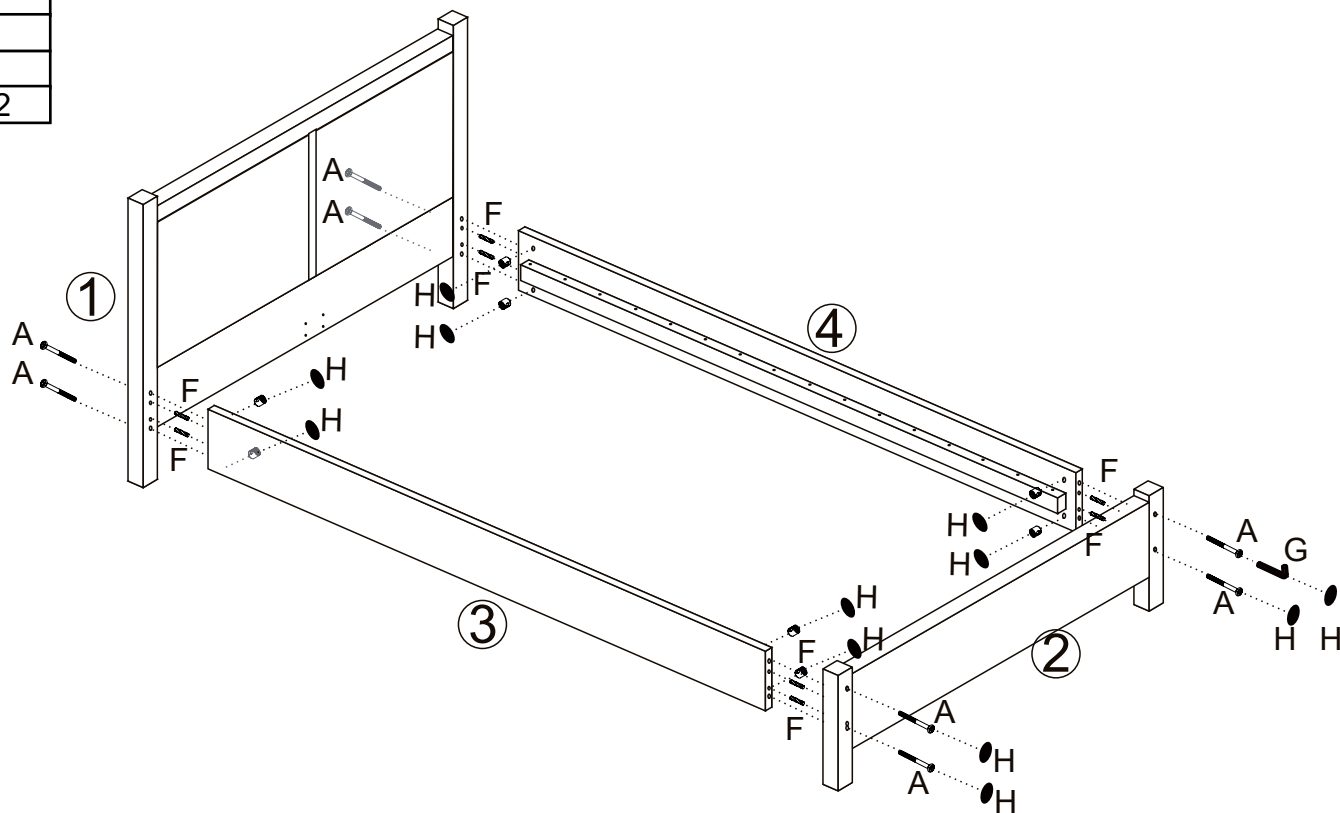


Parts List				Hardware List		
Part	Description	Box	Qty	Part	Description	Qty
1	Headboard	1	1	A	80mm Bolt 	8
2	Footboard	1	1	B	Bracket 	2
3	Left siderail	2	1	C	14mm Screw 	12
4	Right siderail	2	1	D	70mm Screw 	2
5	Centre Rail	2	1	E	25mm Screw 	51
6	Support Leg	2	2	F	30mm Dowel 	8
7	Slats	1	1 sets	G	Allen Key 	1
				H	Sticker 	12

****You will need a screwdriver for assembly.**

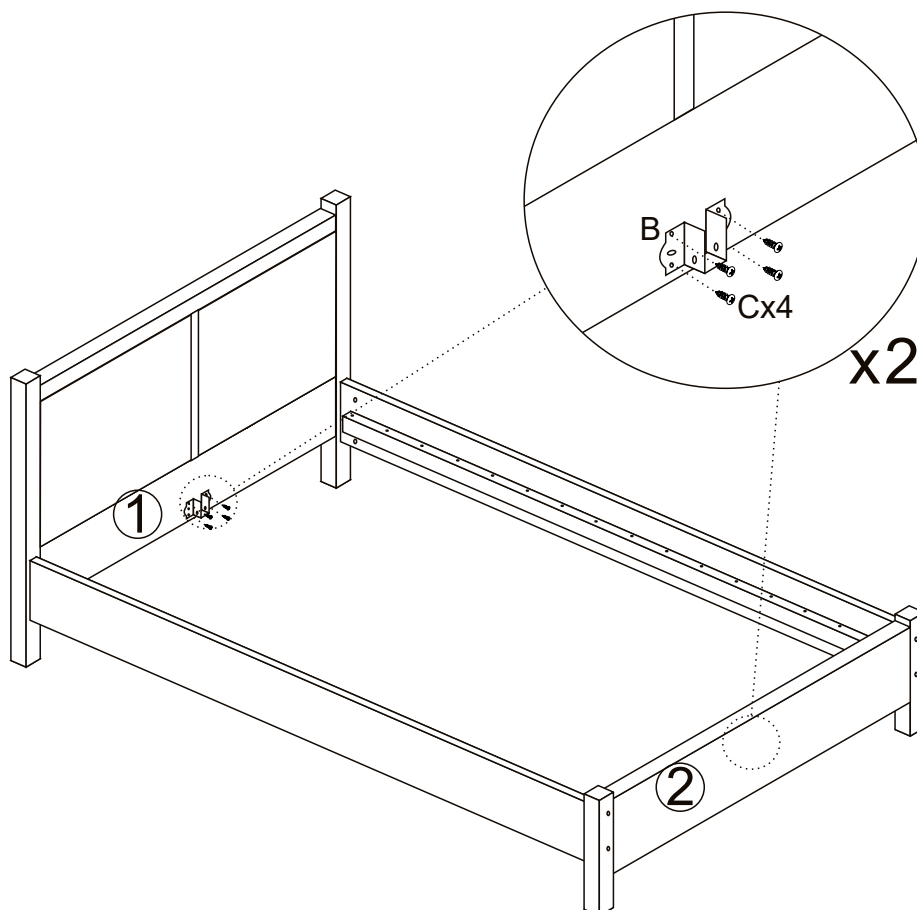
Step 1: Assembly the headboard(1),footboard(2),left siderail(3) and right siderail(4) by hardware A,F,G,H.
DO NOT use any power tools as this may damage the frame and will invalidate any claim.

AX8
FX8
GX1
HX12



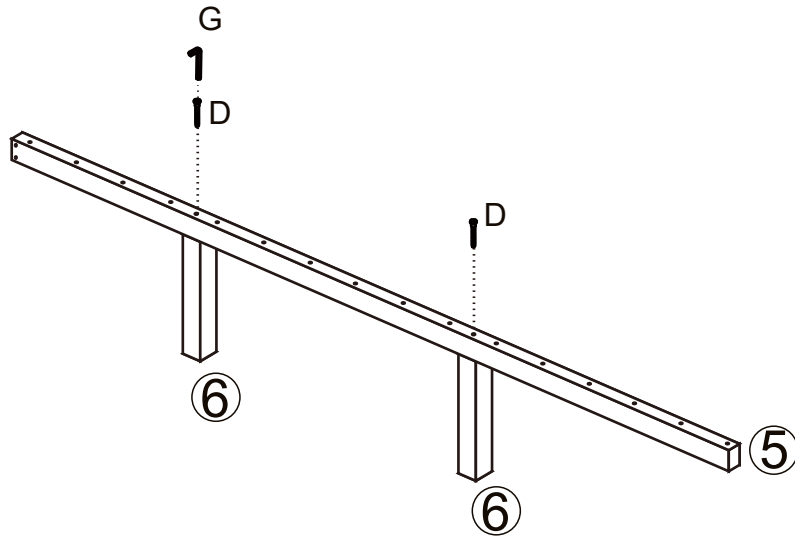
Step 2: Attach hardware B by hardware C on headboard(1) and footboard(2).
DO NOT use any power tools as this may damage the frame and will invalidate any claim.

BX2
CX8



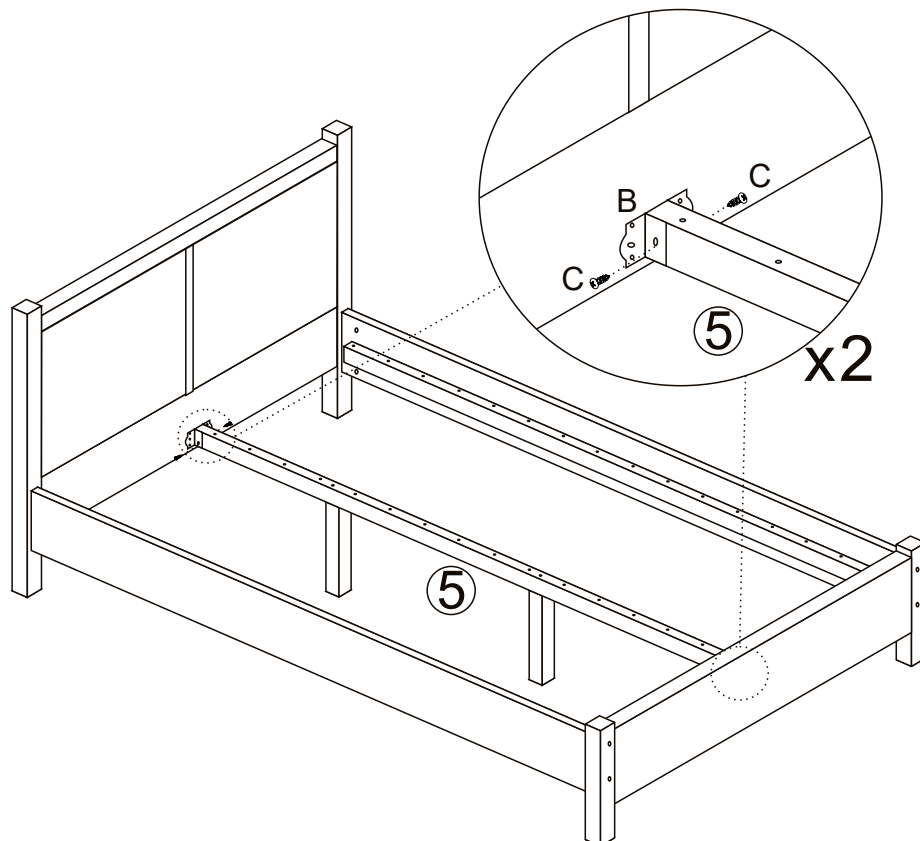
Step 3: Assembly the centre rail(5) with support leg(6) by hardware D,G.
DO NOT use any power tools as this may damage the frame and will invalidate any claim.

DX2
GX1



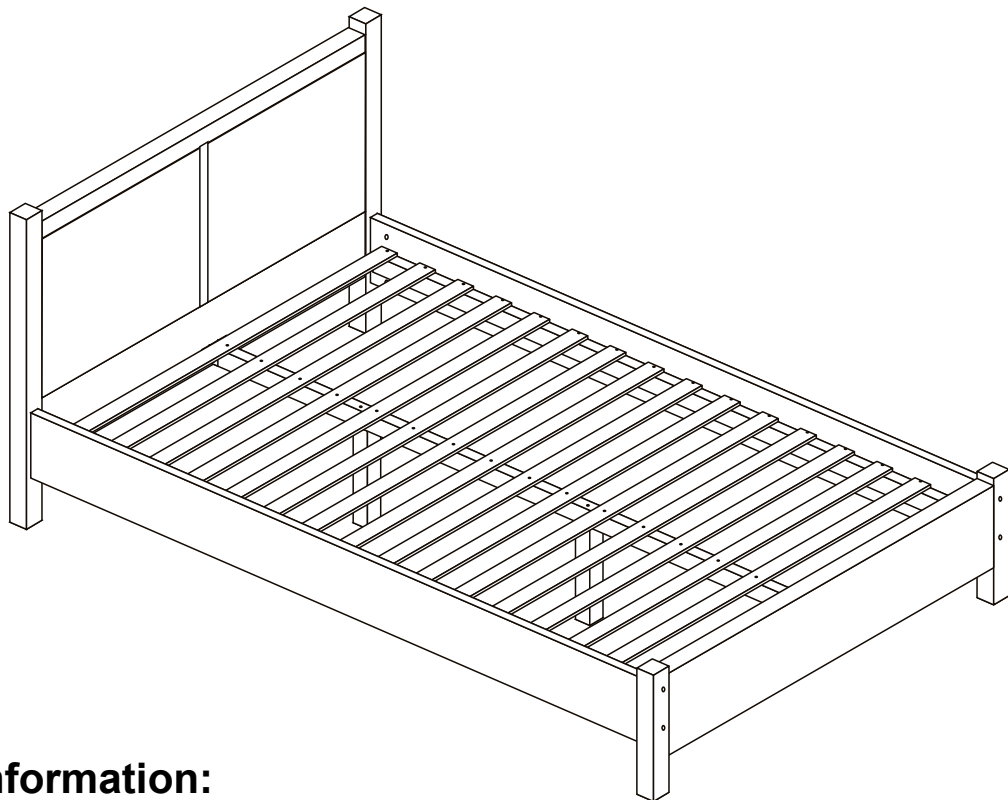
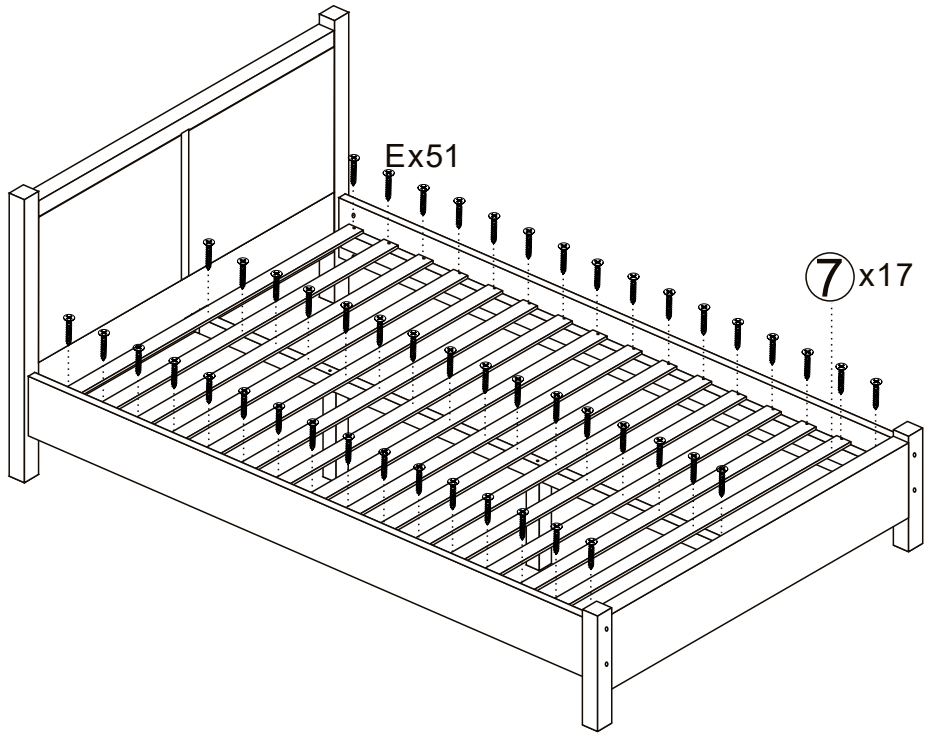
Step 4: Attach centre rail(5) in to bracket B, and screw with hardware C.
DO NOT use any power tools as this may damage the frame and will invalidate any claim.

CX4



Step 5: Attach the bed slats(7) with bed frame by hardware E(the connect hole were pre-drilled).
DO NOT use any power tools as this may damage the frame and will invalidate any claim.

EX51



Additional Information:

- For complete product information, images and dimension diagrams please visit the website www.birlea.com
- If you have any issues with your item please contact the retailer directly you purchased it from who will be able to resolve any issues with Birlea.
- Why don't you send us photos of your assembled furniture to our #birleahome feature on instagram.