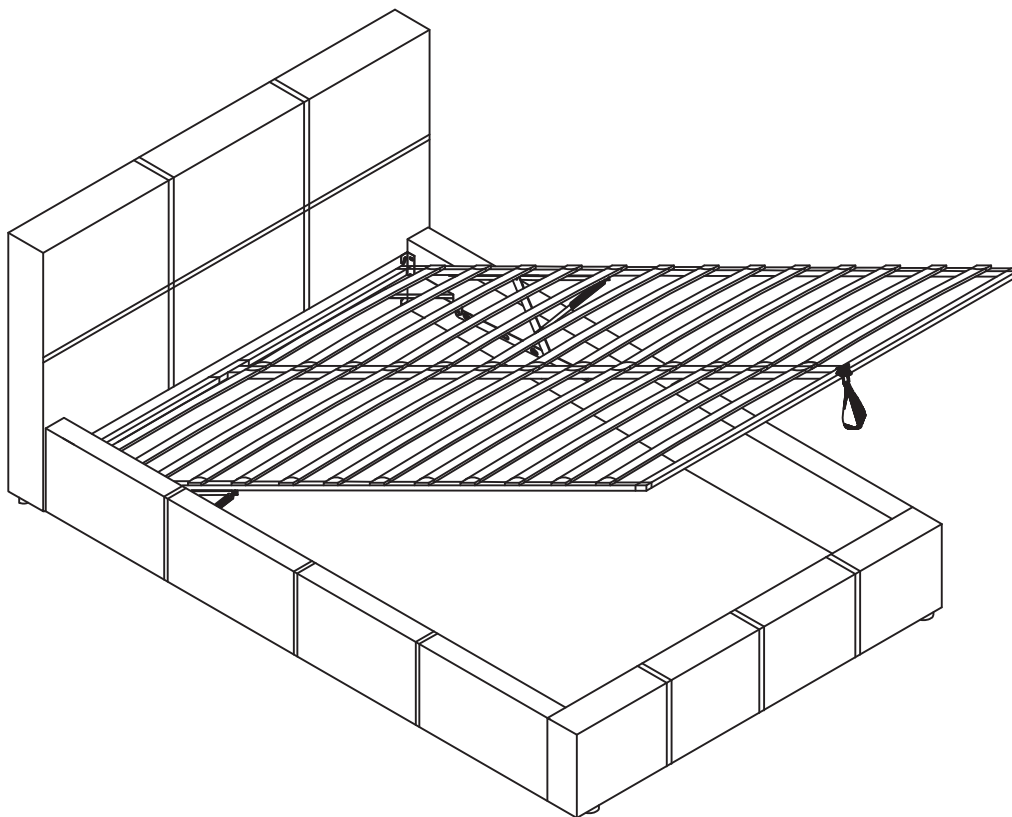


END LIFT OTTOMAN BED ASSEMBLY INSTRUCTIONS

Thank you for purchasing the END LIFT OTTOMAN BED.
Please read the instructions carefully to ensure safe operation of the product.



2010mm×1060mm×840mm 3ft SINGLE
2010mm×1360mm×840mm 4ft SMALL DOUBLE
2010mm×1510mm×840mm 4ft 6 DOUBLE
2110mm×1660mm×840mm 5ft KING
FINISH: FAUX LEATHER

COLOURS: BLACK, BROWN, WHITE, GREY

PLEASE READ this sheet prior to assembly to familiarise yourself with the various stages of construction.

Carefully open the pack supplied and check the contents against the parts and fittings check list.
Do not destroy any of the packaging until you are certain that you have all the necessary parts for the assembly.

CAUTION: There are small components used in the construction of this unit. These loose items should be kept away from young children whilst assembling your unit to avoid the danger of choking hazards.

Tools Required



5mm Allen key x 1



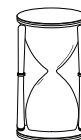
4mm Allen key x 1



Spanner x 1



x 2



1.5 Hour
Set Up

END LIFT OTTOMAN BED ASSEMBLY INSTRUCTIONS

IMPORTANT - READ CAREFULLY - RETAIN THESE INSTRUCTIONS FOR FUTURE REFERENCE.

INFORMATION

- This product is intended for a maximum person's weight of 110kg per side. Do not exceed this weight.
- Due to the size of this product we recommend that it is assembled in the room intended for use.
- When you are ready to start, make sure that you have the right tools, plenty of space and a clean, dry area for assembly.
- Unwrap all packaging materials and place the components on top of the carton box or on a clean floor to prevent it from scratching.
- Check the pack and make sure you have all the parts listed.
- Ensure that this product is fully assembled and secured as illustrated before use.
- Check all screws or bolts are tightened and inspect regularly.
- This product should only be used on firm, level ground.
- Please dismantle for transportation
- Tools are included.

WARNINGS

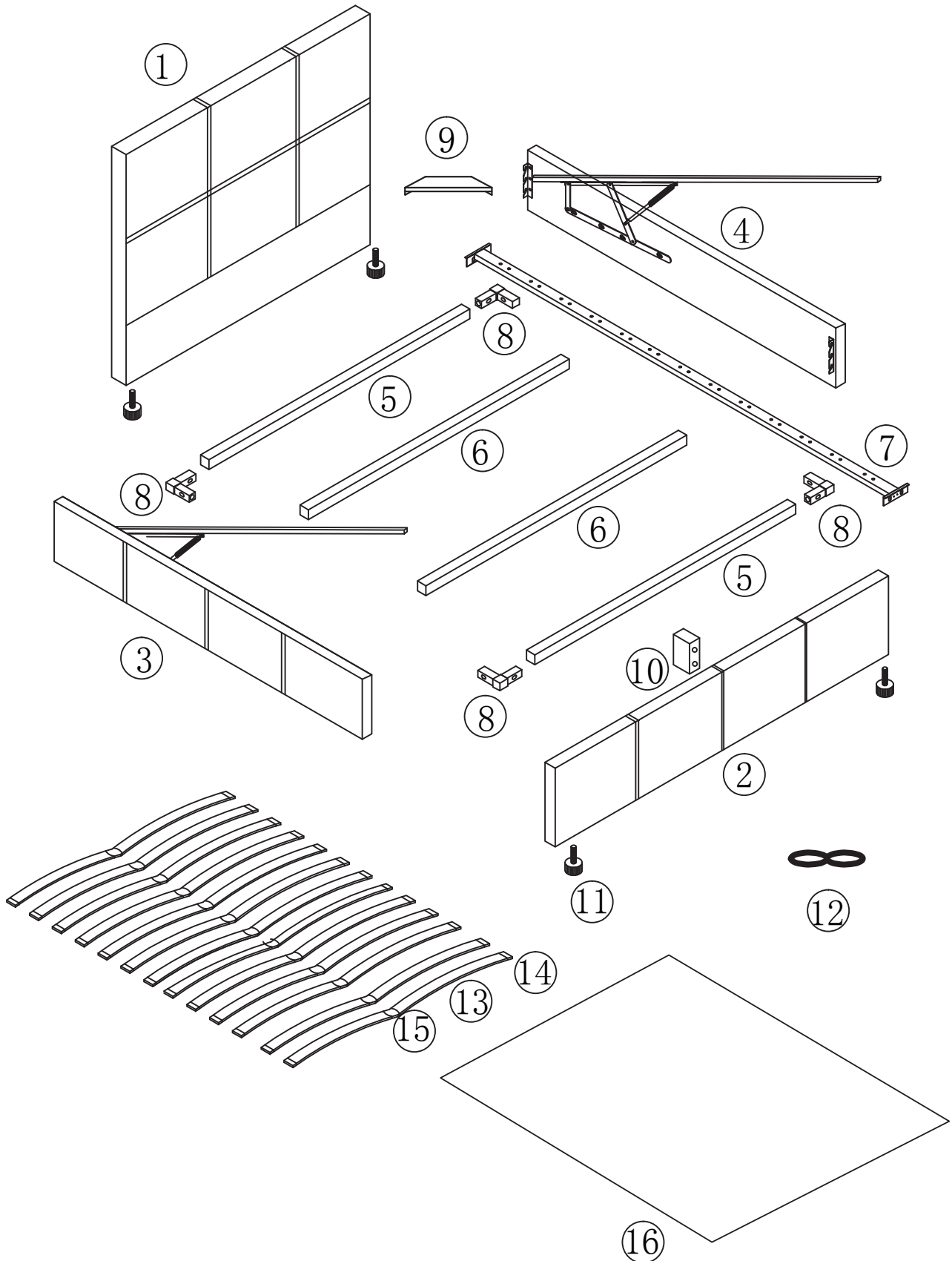
- Only use the storage compartment when the frame is fully raised in the up position.
- DO make sure the legs remain in contact with the ground.
- DO keep small parts out of reach of children.
- DO use caution when operating, this bed uses a pressured mechanism.
- DO keep hands and fingers clear of the mechanism when opening and closing the bed for use.
- DO NOT use power tools to construct this product.
- DO NOT tighten screws until fully assembled.
- DO NOT over tighten screws or bolts.
- DO NOT use this product if parts are missing, damaged or worn.
- DO NOT stand on the product.
- DO NOT remain on the bed whilst the lifting mechanism is in use.
- DO NOT expose this product to dripping or splashing, rain or areas with heavy moisture.
- DO NOT place any objects filled with liquids, such as vases, on the product.
- DO NOT insert foreign objects into the product or attempt to repair this unit by yourself.
- DO NOT place the product in direct sunlight, open flames such as candles or heat, such as radiators. Keep away from temperatures over 35°C.

CARE INFORMATION

- Never use scourers, abrasives or chemical cleaners.
- To clean wipe with a sponge and warm soapy water. Do not use solvent based cleaners or detergents as they can bleach or damage the product.

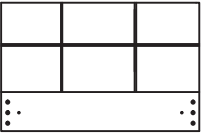





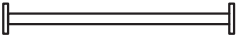


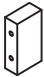






END LIFT OTTOMAN BED ASSEMBLY INSTRUCTIONS

Please check the pack contents before assembling the product. If any components are missing, please contact your retailer. The fittings pack contains small items that should be kept away from small children.



END LIFT OTTOMAN BED ASSEMBLY INSTRUCTIONS

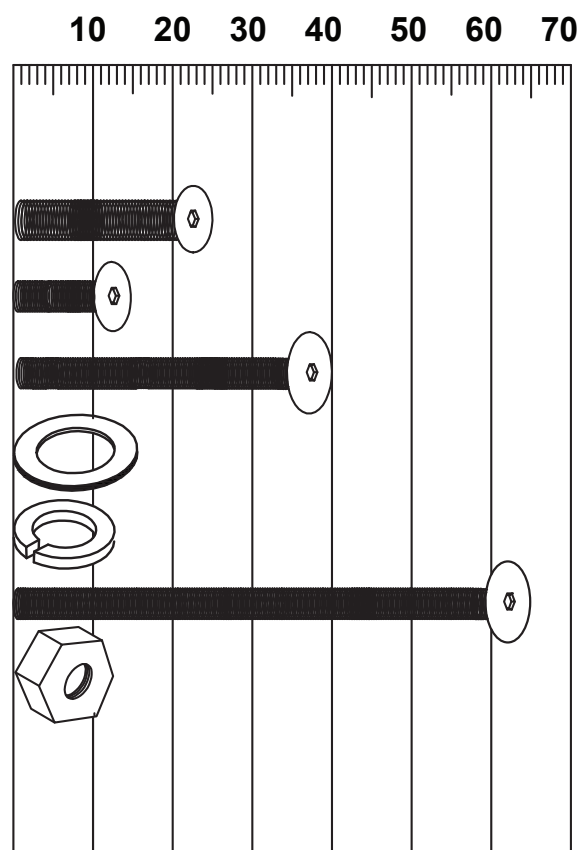
Parts

<p>1</p> 	<p>2</p> 	<p>3</p> 
<p>Description: HEADBOARD QTY: 1PC Carton No: 1 of 2</p>	<p>Description: FOOTBOARD QTY: 1PC Carton No: 1 of 2</p>	<p>Description: LEFT SIDE RAIL QTY: 1PC Carton No: 2 of 2</p>
<p>4</p> 	<p>5</p> 	<p>6</p> 
<p>Description: RIGHT SIDE RAIL QTY: 1PC Carton No: 2 of 2</p>	<p>Description: FRONT / BACK FRAME RAIL QTY: 2PCS Carton No: 1 of 2</p>	<p>Description: HORIZONTAL FRAME RAIL QTY: 2PCS Carton No: 1 of 2</p>
<p>7</p> 	<p>8</p> 	<p>9</p> 
<p>Description: CENTRE FRAME RAIL QTY: 1PC Carton No: 2 of 2</p>	<p>Description: PLASTIC BRACKET SETS QTY: 4PCS Carton No: 1 of 2</p>	<p>Description: CORNER BRACKETS QTY: 4PCS Carton No: 1 of 2</p>
<p>10</p> 	<p>11</p> 	<p>12</p> 
<p>Description: HOLDING BLOCKS QTY: 1PC Carton No: 1 of 2</p>	<p>Description: ADJUSTABLE LEGS QTY: 4PCS Carton No: 1 of 2</p>	<p>Description: BELT QTY: 1PC Carton No: 1 of 2</p>
<p>13</p> 	<p>14</p> 	<p>15</p> 
<p>Description: BENT SLATS QTY: 4'6": 26 PCS / 5': 30 PCS Carton No: 1 of 2</p>	<p>Description: PLASTIC SLAT CAPS QTY: 4'6": 26 PCS / 5': 30 PCS Carton No: 1 of 2</p>	<p>Description: CENTRE SLAT CAPS QTY: 4'6": 13PCS / 5': 15PCS Carton No: 1 of 2</p>
<p>16</p>  <p>Description: WOVEN FABRIC QTY: 1PC Carton No: 1 of 2</p>		

END LIFT OTTOMAN BED ASSEMBLY INSTRUCTIONS

Fixings (to scale)

Ref	Dimensions	Qty
A	Bolt-M8x25	12
B	Bolt-M6x15	12
C	Bolt-M6x40	4
D	Flat Washer-Ø8x16	12
E	Spring Washer-Ø8x13	12
F	Bolt-M6x65	2
G	Nut-M8x13	2



(Not to scale)

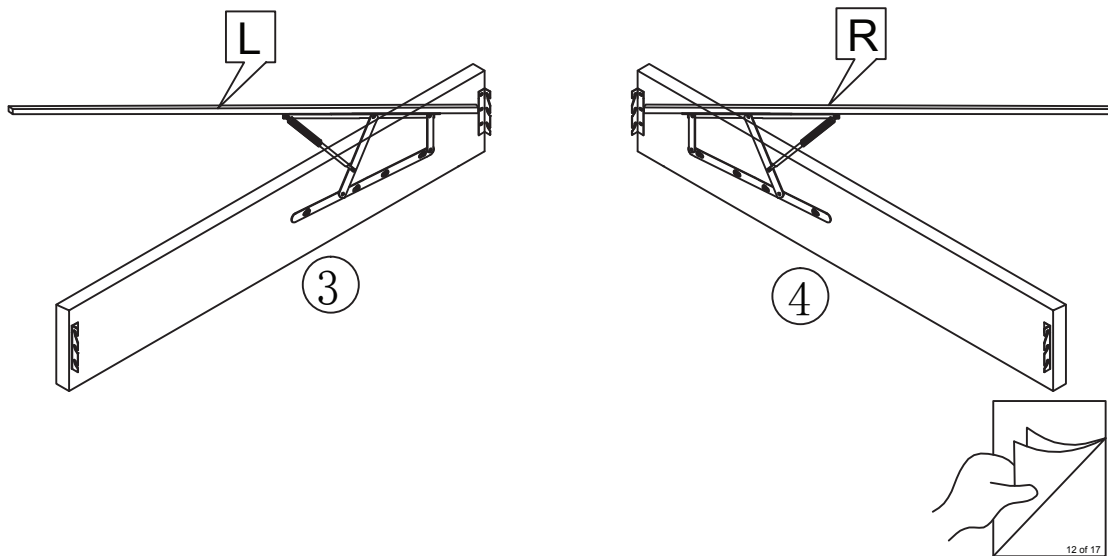
H	4mm Allen Key	1
I	5mm Allen Key	1
J	Spanner	1



CAUTION: There are many small components used in the construction of this product. Please keep these components away from young children whilst assembling this product.

If you keep the fittings in a bowl during assembly you will be less likely to lose them!

END LIFT OTTOMAN BED ASSEMBLY INSTRUCTIONS



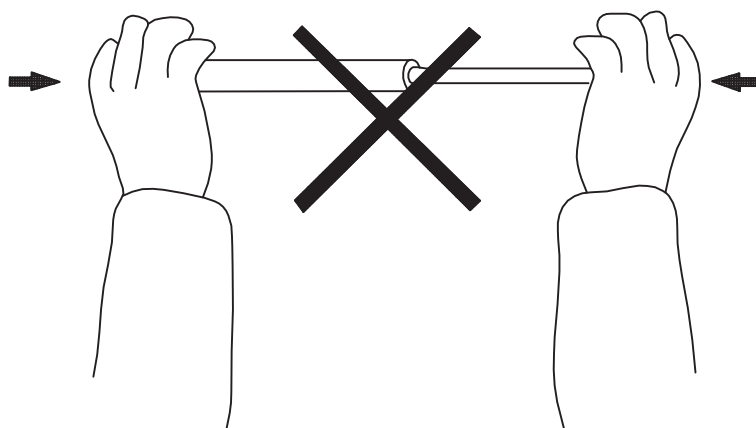
Turn to page 12 for fitting the hinges

! IMPORTANT PISTON INFORMATION

The pistons used in the construction of this product are extremely strong and cannot be operated by hand when not fitted to the ottoman hinges. All pistons are tested in the factory for correct pressure and operation before use.

Initially it might appear that the pistons are very stiff when opening and closing the ottoman frame, THIS IS NORMAL.

After operating the ottoman a few times, the movement of the pistons and the opening and closing of the ottoman will become easier.

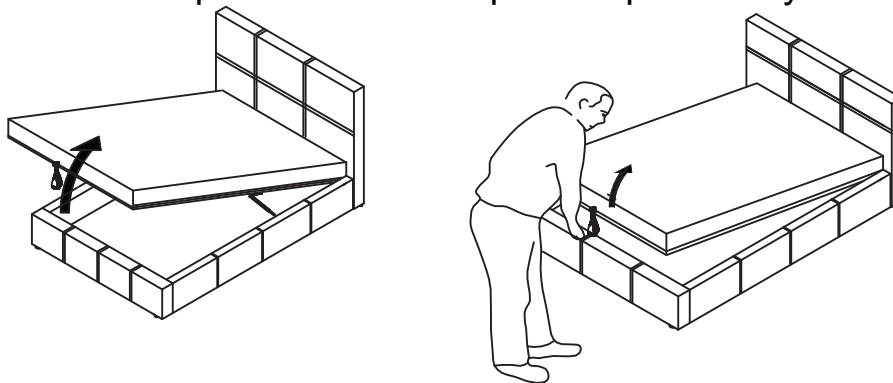


END LIFT OTTOMAN BED ASSEMBLY INSTRUCTIONS

Hints and Tips

To operate the ottoman, always use 2 hands at arm's length and only where illustrated on this product. You must ensure the mattress is on the bed frame before lifting the mechanism. **Failure to do so may result in injury.**

To ensure your safety please do not stand too close in case the frame bounces up. The weight of the mattress loaded on the frame will keep the frame in a lower position until it is pulled upwards by the user.



If removing the mattress, make sure the frame is secured so it does not flip open. When lifting the bed frame, remove pillows and covers.

PLEASE NOTE - It takes a lot of force to make the initial movement of the ottoman - **THIS IS A DESIGN FEATURE OF THE PRODUCT SO THAT IT DOES NOT FALL SHUT** - and the nearer to being closed the ottoman is, the easier it is to move. When the ottoman is almost shut, it will close completely under its own weight.

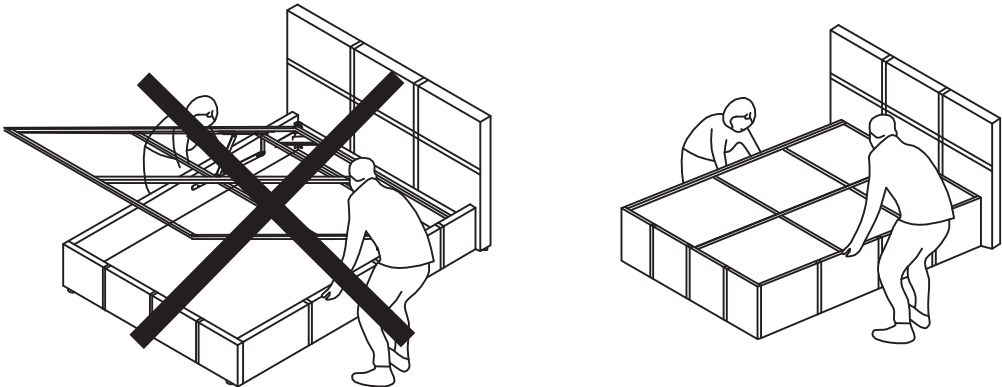
When lowering the slat unit for the first time, take care to make sure it does not rub unevenly on the inside face of the Side Rail. If it does, the bed has been assembled slightly out of square. This can be rectified by moving the Footboard of the bed slightly to the left or right whilst leaving the headboard of the bed frame stationary.

Tip for difficulty with compression:

If you are experiencing difficulty with the initial compression try fitting one piston at a time (following the Assembly Instructions) then press down on the side of the frame with the piston fitted - this acts like a big lever (The weight of the mattress can be used to supplement the load exerted). Effectively you are doubling the amount of force applied, because you have halved the resistance offered by the pistons. It can take slightly more effort than you might feel comfortable applying to the bed frame at first.

END LIFT OTTOMAN BED ASSEMBLY INSTRUCTIONS

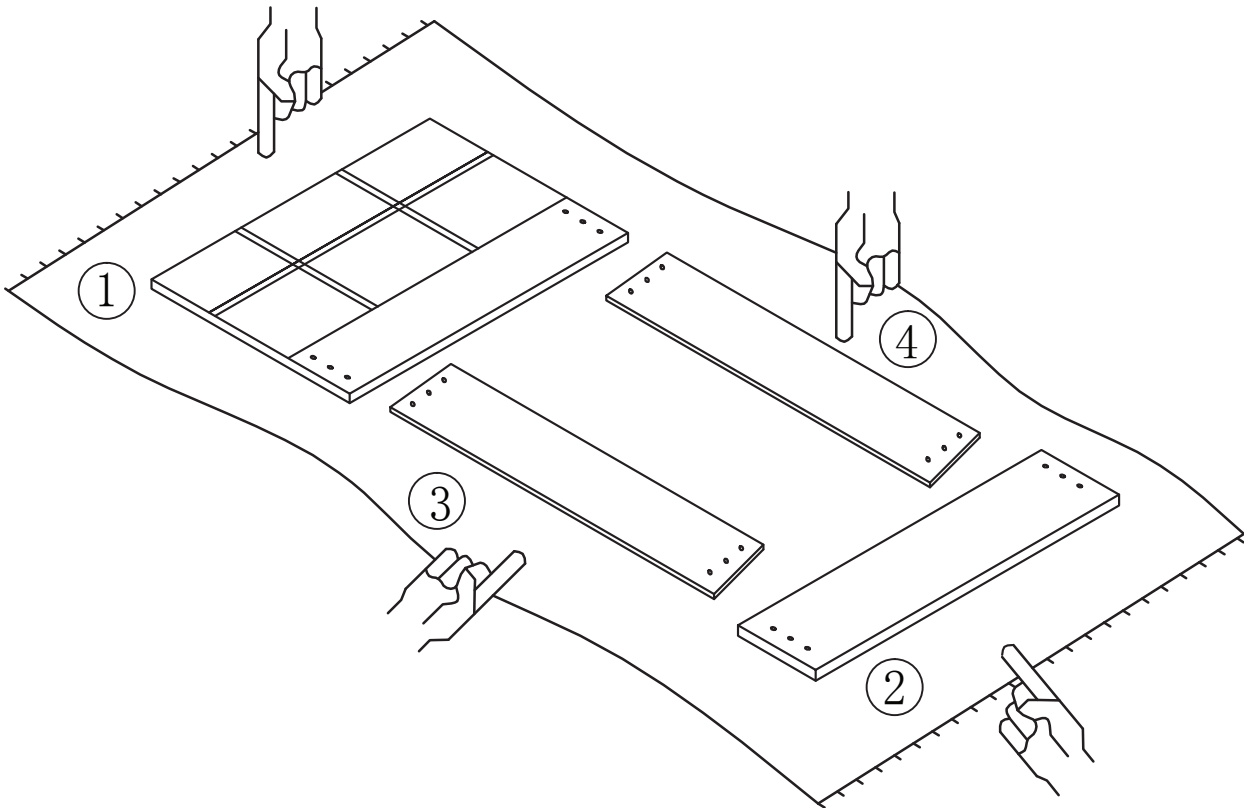
Do not attempt to move the bed whilst the frame is in the upright position.



END LIFT OTTOMAN BED ASSEMBLY INSTRUCTIONS

Layout Parts on Soft Surface

Lay out all 4 sides on a soft surface i.e. Rug, Carpet or Packaging Carton.

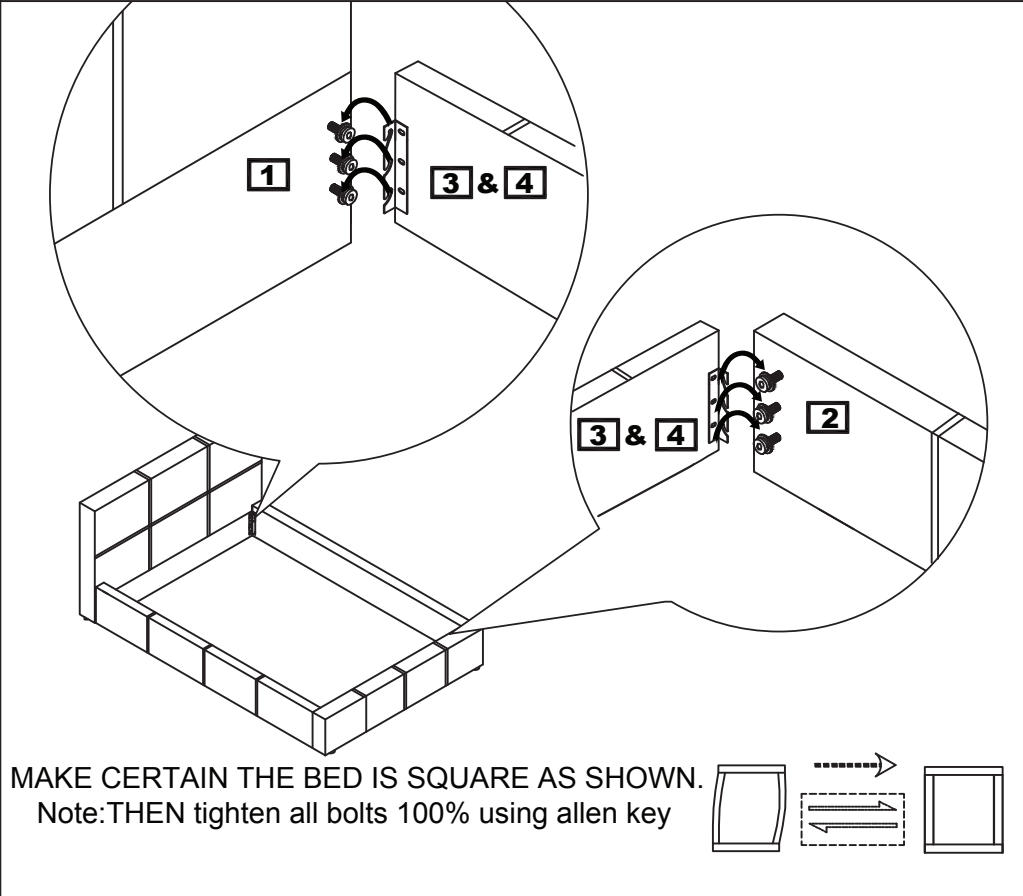


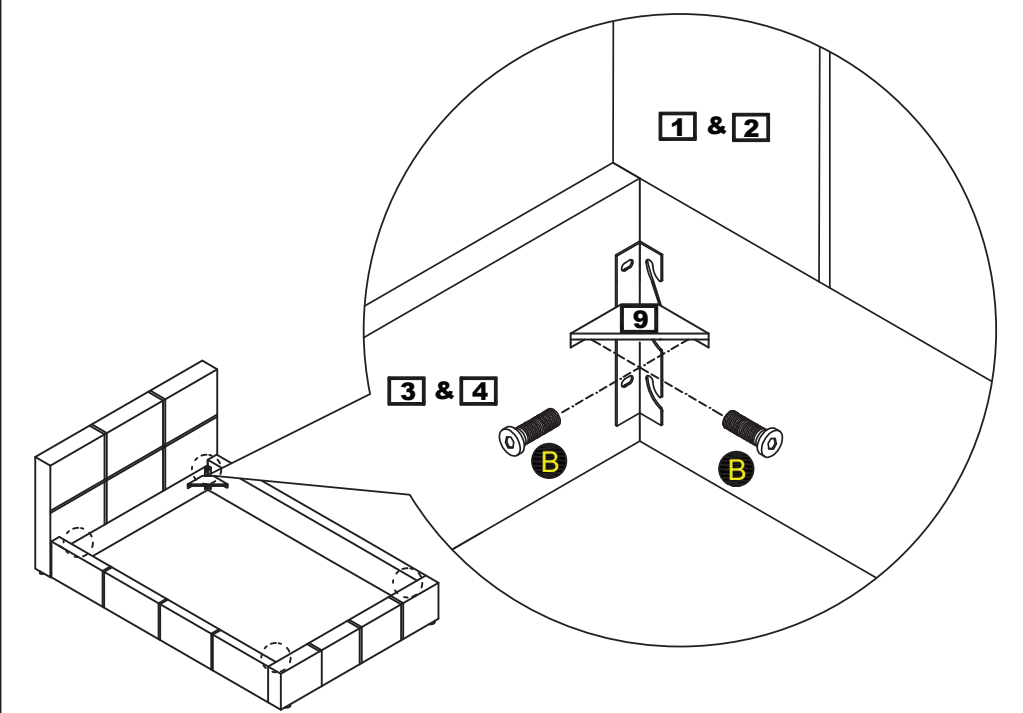
END LIFT OTTOMAN BED ASSEMBLY INSTRUCTIONS

Step 1	Parts Required
	<ul style="list-style-type: none"> 2 Footboard x 1 10 Holding blocks x 1 F 65mm M6 Bolt x 2 H 4mm Allen key

Step 2	Parts Required
	<ul style="list-style-type: none"> 1 Headboard x 1 2 Footboard x 1 A 25mm M8 Bolt x 12 E Spring washer x 12 D Flat washer x 12 I 5mm Allen key

END LIFT OTTOMAN BED ASSEMBLY INSTRUCTIONS

Step 3	Parts Required
 <p>MAKE CERTAIN THE BED IS SQUARE AS SHOWN. Note: THEN tighten all bolts 100% using allen key</p>	<ul style="list-style-type: none"> 1 Headboard x 1 2 Footboard x 1 3 Left side rail x 1 4 Right side rail x 1 I 5mm Allen key

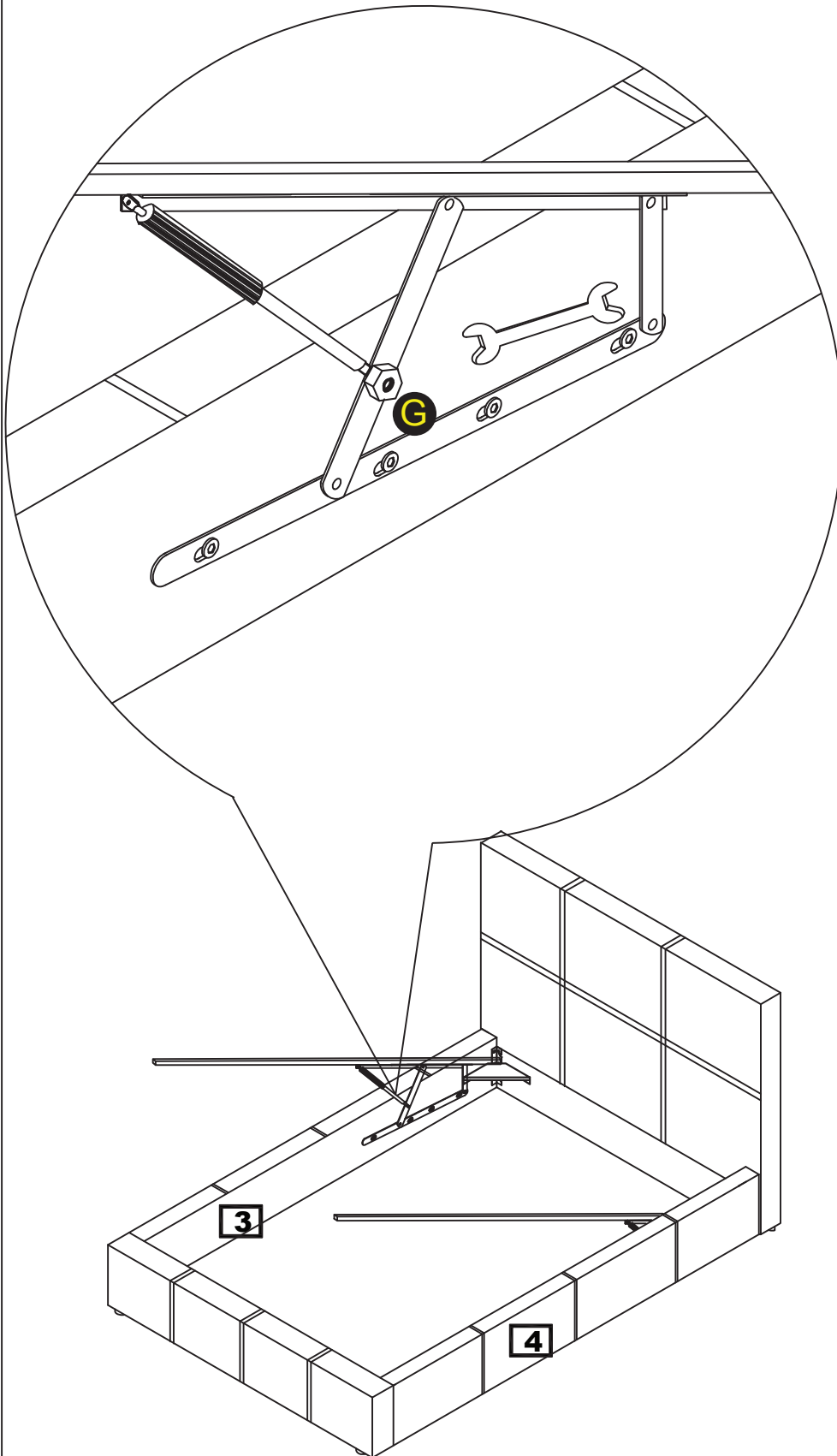
Step 4	Parts Required
	<ul style="list-style-type: none"> 1 Headboard x 1 2 Footboard x 1 3 Left side rail x 1 4 Right side rail x 1 9 Corner brackets x 4 B 15mm M6 Bolt x 8 H 4mm Allen key

END LIFT OTTOMAN BED ASSEMBLY INSTRUCTIONS

Step 5

Parts Required

- 3** Left side rail x 1
- 4** Right side rail x 1
- G** Nuts x 2
- J** Spanner



END LIFT OTTOMAN BED ASSEMBLY INSTRUCTIONS

Step 6	Parts Required
<p>A: </p> <p>B: </p> <p>C: </p>	<ul style="list-style-type: none"> 5 Front / Back frame rail x 2 7 Centre frame rail x 1 8 Plastic bracket sets x 4 B 15mm M6 Bolt x 4 H 4mm Allen key

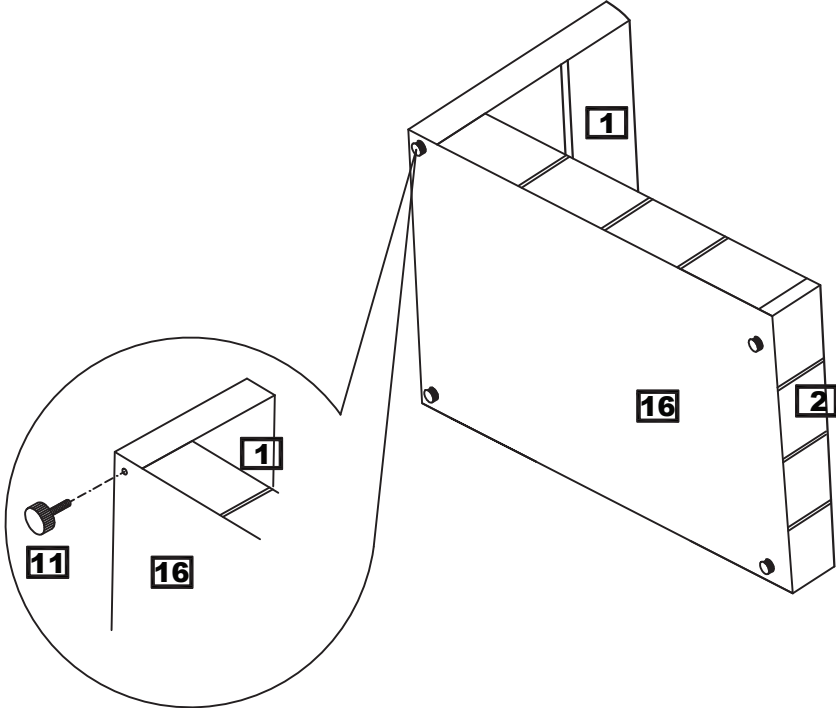
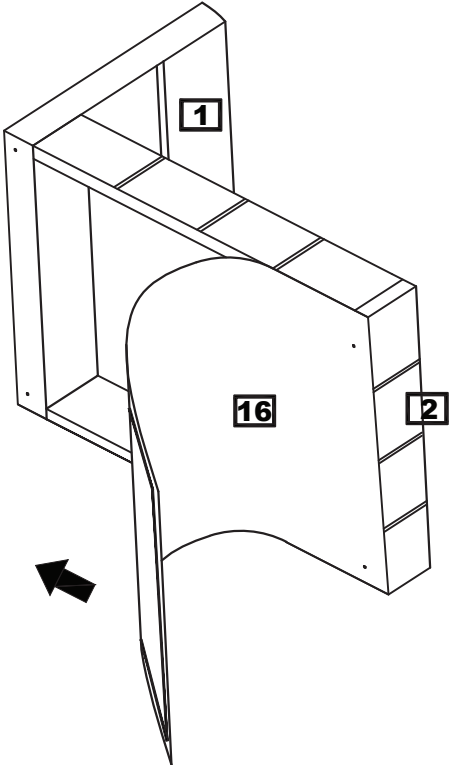
Step 7	Parts Required
<p></p> <p></p> <p>Hand entrapment</p> <p></p>	<ul style="list-style-type: none"> 6 Horizontal frame rail x 2 C 40mm M6 Bolt x 4 H 4mm Allen key

END LIFT OTTOMAN BED ASSEMBLY INSTRUCTIONS

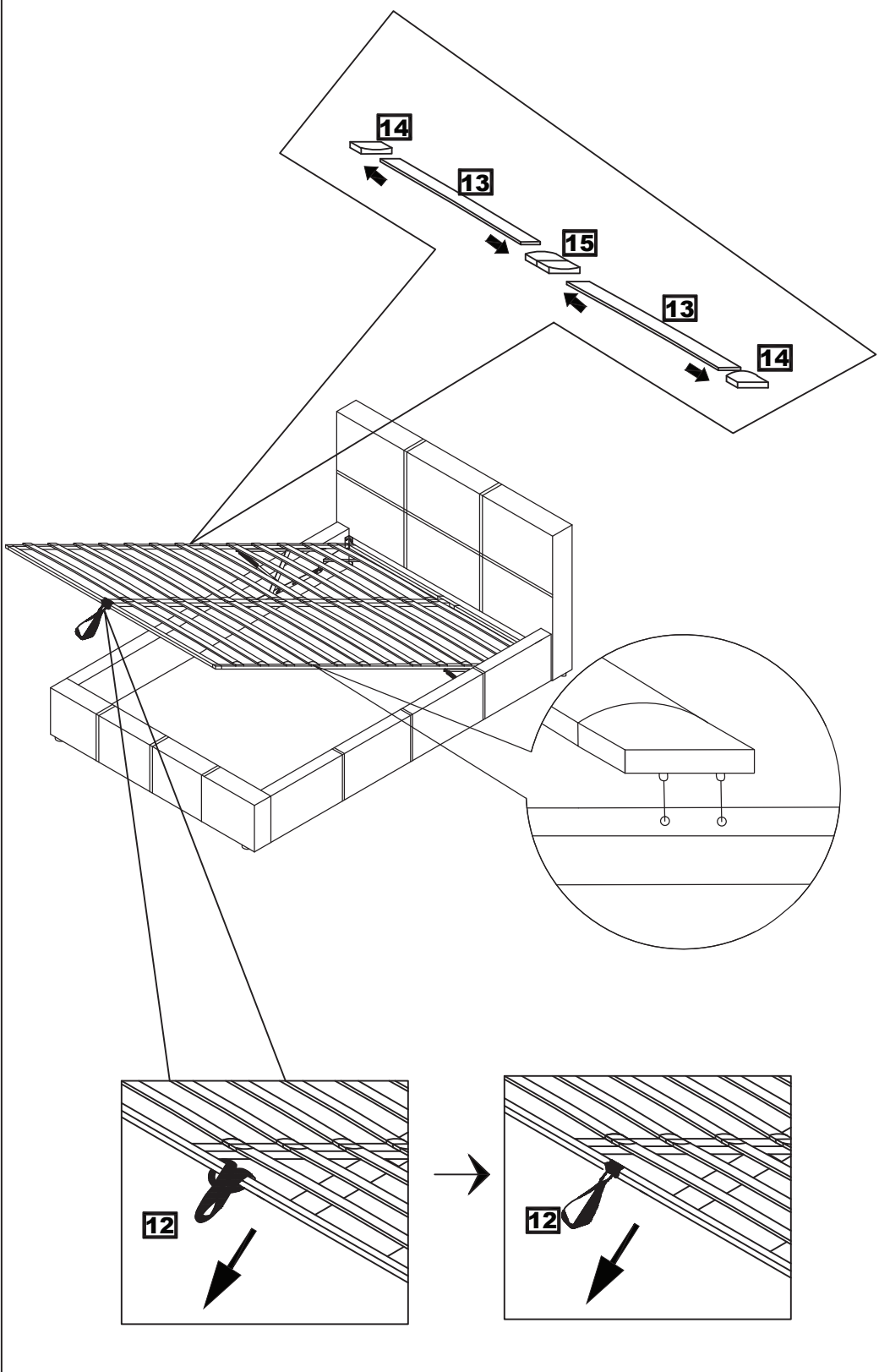
Step 8

Parts Required

- 11** Adjustable legs x 4
- 16** Woven fabric x 1



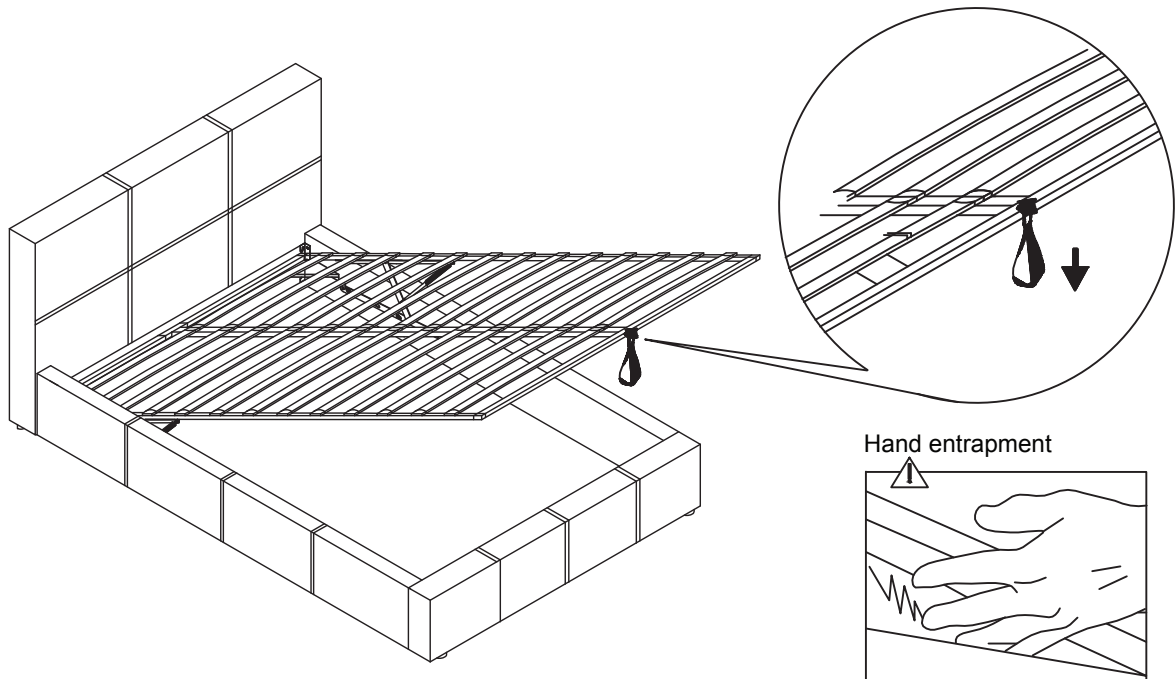
END LIFT OTTOMAN BED ASSEMBLY INSTRUCTIONS

Step 9	Parts Required
 <p>The diagram illustrates the assembly of the bed's slat system. At the top, a perspective view shows bent slats (13) being inserted into the frame, with plastic slat caps (14) being placed over the ends. A central slat cap (15) is also shown. Below this, a circular inset shows a close-up of a slat cap being placed over a slat. At the bottom, two detailed insets show a belt (12) being used to secure the slats to the frame.</p>	<ul style="list-style-type: none">12 Belt x 113 Bent slats x 26/3014 Plastic slat caps x 26/3015 Centre slat caps x 13/15

END LIFT OTTOMAN BED ASSEMBLY INSTRUCTIONS

Complete Assembly

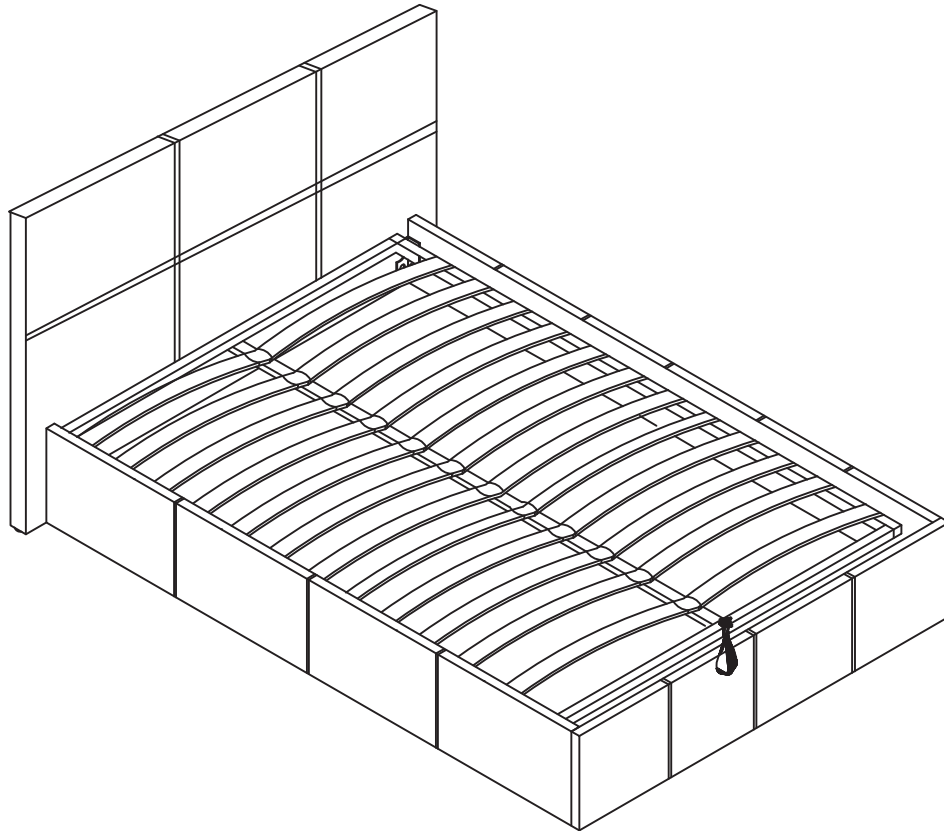
Your bed frame is now completely assembled but the ottoman will not operate correctly unless a mattress is placed on the slat frame and will not stay shut unless the mattress remains in position. To position the mattress on the slat frame, simply place the mattress on top of the slat frame whilst it is in the up (open) position.



Lift with the strap (12) and close with the strap. The strap should always be accessible. Take care not to lean over the bed when lifting, if the mattress is thin and light, the frame may rise quickly. The speed of closing will also depend on the weight of the mattress so always keep fingers well clear of the metal frame.

PLEASE NOTE - It takes a lot of force to make the initial movement of the ottoman - **THIS IS A DESIGN FEATURE OF THE PRODUCT SO THAT IT DOES NOT FALL SHUT** - and the nearer to being closed the ottoman is, the easier it is to move. When the ottoman is almost shut, it will close completely under its own weight.

END LIFT OTTOMAN BED ASSEMBLY INSTRUCTIONS



Periodically check to ensure that the components are in their proper position, free from damage. Also, make sure the connectors are tight and secure.

Keep instructions for future reference

