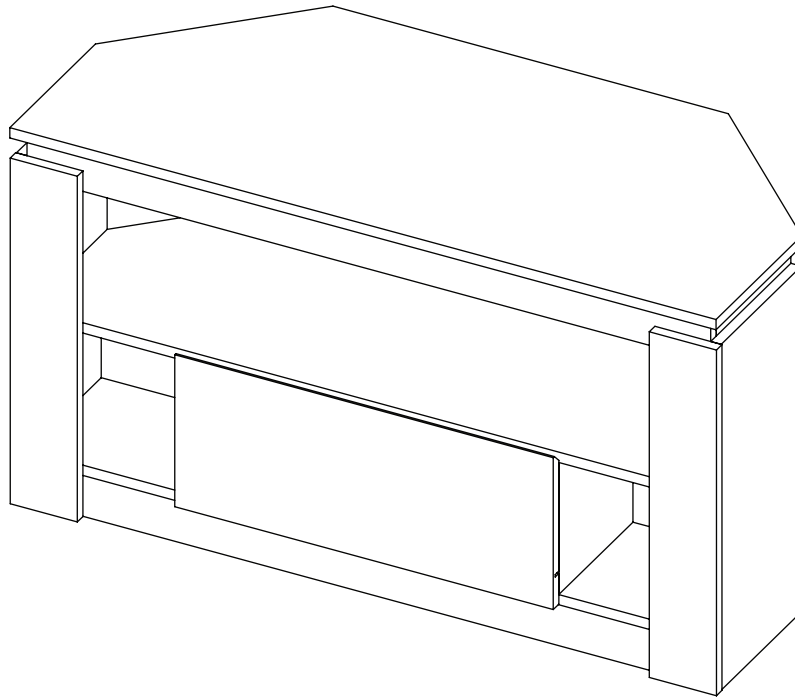


# CANYON CORNER TV UNIT ASSEMBLY INSTRUCTIONS

Thank you for purchasing the Canyon Corner TV Unit.

Please read the instructions carefully to ensure safe operation of this product.



Size: 100 x 45 x 55 cm (WDH)

Colour: Dark Oak

---

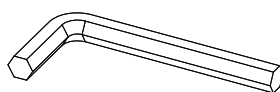
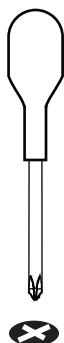
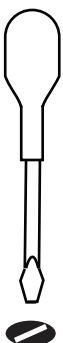
**PLEASE READ** this sheet prior to assembly to familiarise yourself with the various stages of construction.

Carefully open the pack supplied and check the contents against the parts and fittings check list. Do not destroy any of the packaging until you are certain that you have all the necessary parts for the assembly.

**CAUTION:** There are small components used in the construction of this unit. These loose items should be kept away from young children whilst assembling your unit to avoid the danger of choking.

---

## Tools Required



1.5 Hour  
Set Up

Version 1 - 240604

PO No: \_\_\_\_\_

Page 1 of 16

# CANYON CORNER TV UNIT ASSEMBLY INSTRUCTIONS

## **IMPORTANT - READ CAREFULLY - RETAIN THESE INSTRUCTIONS FOR FUTURE REFERENCE.**

### **INFORMATION**

- This product is designed to hold 20Kg in total. Do not exceed this weight.
- We recommend that this unit is assembled in the room intended for use.
- When you are ready to start, make sure that you have the right tools, plenty of space and a clean, dry area for assembly.
- Unwrap all packaging materials and place the components on top of the carton box or on a clean floor to prevent it from scratching.
- Check the pack and make sure you have all the parts listed.
- Ensure that this product is fully assembled as illustrated before use.
- Check all screws or bolts are tightened and inspect regularly
- Tools not included unless specified in parts list.

### **WARNINGS**

- This product should only be used on a firm and level floor.
- Keep small parts out of reach of children.
- Make sure the legs/base remain in contact with the floor.
- DO NOT use power tools to construct this product.
- DO NOT tighten screws until parts are assembled or as advised in this guide.
- DO NOT over tighten screws or bolts.
- DO NOT use this product if parts are missing, damaged or worn.
- DO NOT sit or stand on the product.

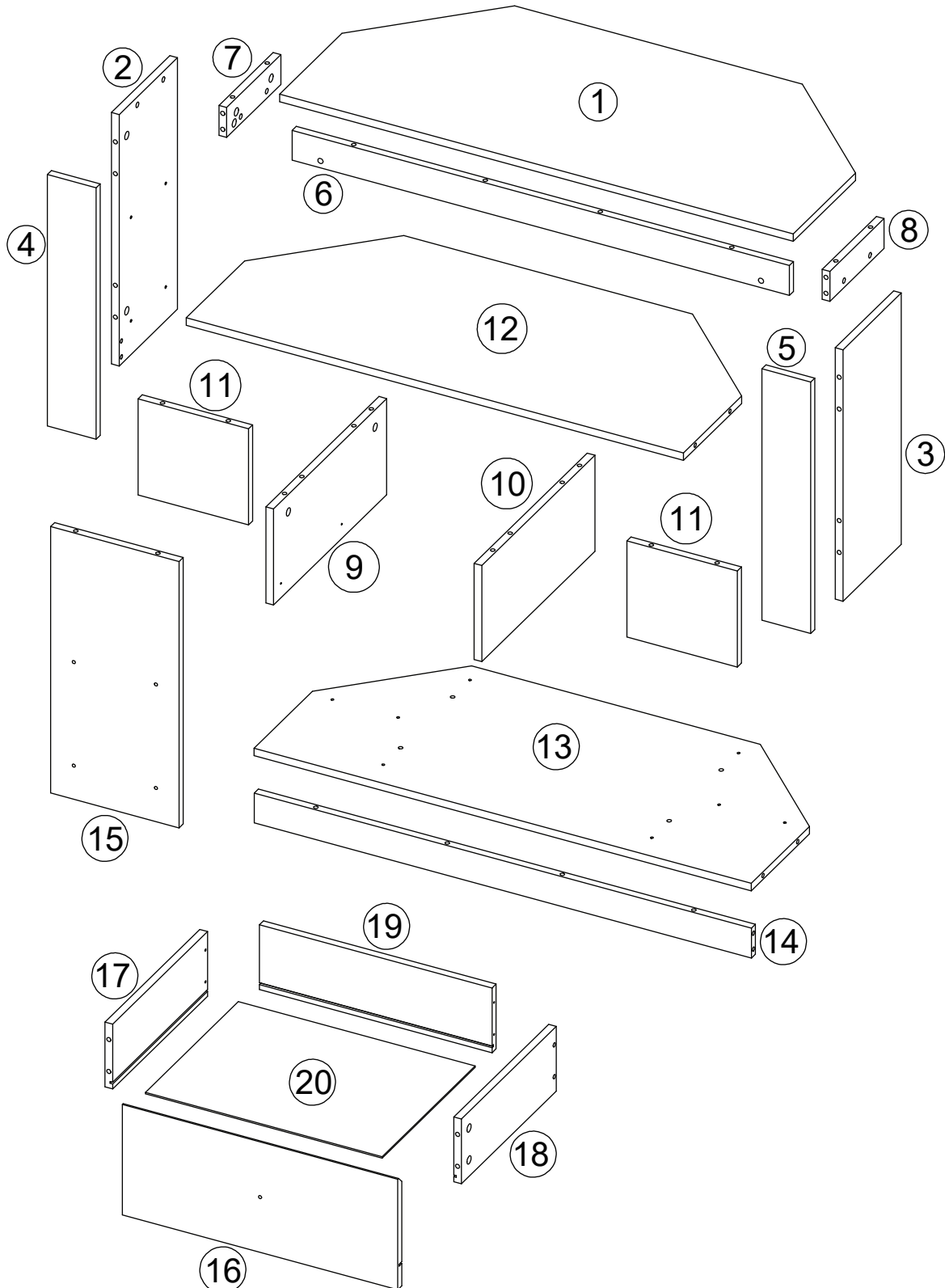
### **CARE INFORMATION**

- To clean, wipe with a damp clean cloth.
- Never use scourers, abrasives or chemical cleaners.
- Do not use solvent based cleaners or detergents as they can bleach or damage the product.

# CANYON CORNER TV UNIT ASSEMBLY INSTRUCTIONS

## Parts and Fittings Checklist

Please check the pack contents before assembling the product. If any components are missing, please contact your retailer. The fittings pack contains small items that should be kept away from children.



# CANYON CORNER TV UNIT ASSEMBLY INSTRUCTIONS

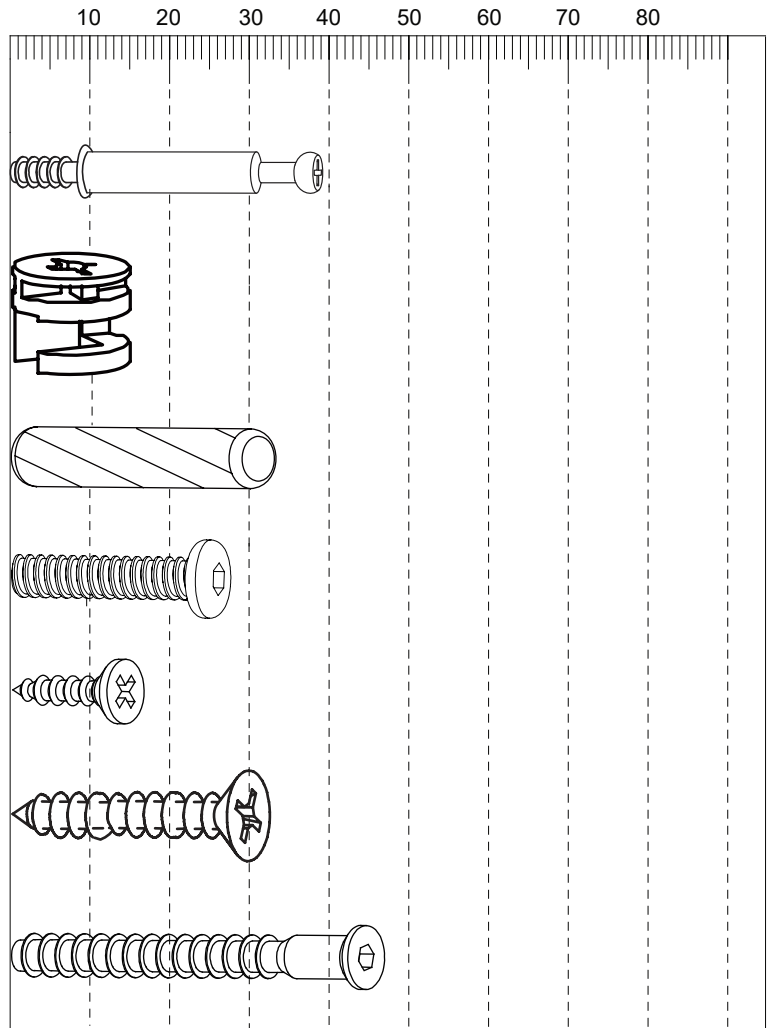
Parts are packed in one carton

1	2	3
Description: Top Panel Qty: 1 Size: 1000 x 450 x 15 mm Carton No: 1/1	Description: LH Side Panel Qty: 1 Size: 505 x 215 x 15 mm Carton No: 1/1	Description: RH Side Panel Qty: 1 Size: 505 x 215 x 15 mm Carton No: 1/1
4	5	6
Description: LH Front Upright Qty: 1 Size: 505 x 95 x 15 mm Carton No: 1/1	Description: RH Front Upright Qty: 1 Size: 505 x 95 x 15 mm Carton No: 1/1	Description: Decor Rail Qty: 1 Size: 968x 60 x 15 mm Carton No: 1/1
7	8	9
Description: LH Decor Rail Qty: 1 Size: 200 x 60 x 15 mm Carton No: 1/1	Description: RH Decor Rail Qty: 1 Size: 200 x 60 x 15 mm Carton No: 1/1	Description: LH Centre Upright Qty: 1 Size: 417 x 193 x 15 mm Carton No: 1/1
10	11	12
Description: RH Centre Upright Qty: 1 Size: 417 x 193 x 15 mm Carton No: 1/1	Description: Divide Panel Qty: 2 Size: 215 x 193 x 15 mm Carton No: 1/1	Description: Fixed Shelf Qty: 1 Size: 968 x 418 x 15 mm Carton No: 1/1
13	14	15
Description: Base Panel Qty: 1 Size: 968 x 430 x 15 mm Carton No: 1/1	Description: Cross Plinth Qty: 1 Size: 968 x 60 x 15 mm Carton No: 1/1	Description: Back Panel Qty: 1 Size: 535 x 250 x 15 mm Carton No: 1/1
16	17	18
Description: Drawer Front Qty: 1 Size: 536 x 222 x 15 mm Carton No: 1/1	Description: LH Drawer Side Qty: 1 Size: 350 x 130 x 15 mm Carton No: 1/1	Description: RH Drawer Side Qty: 1 Size: 350 x 130 x 15 mm Carton No: 1/1
19	20	
Description: Drawer End Qty: 1 Size: 453 x 130 x 15 mm Carton No: 1/1	Description: Drawer Base Qty: 1 Size: 461 x 343 x 3 mm Carton No: 1/1	

# CANYON CORNER TV UNIT ASSEMBLY INSTRUCTIONS

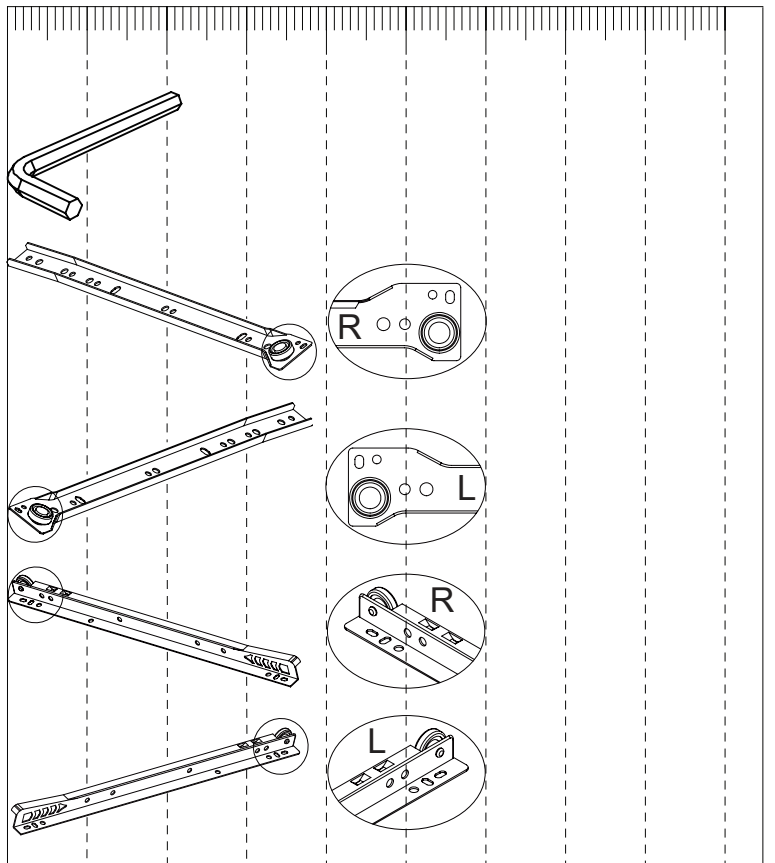
## Fittings (to scale)

Code	Item	Quantity
A	Cam Bolt (38mm overall)	32
B	Cam Lock	32
C	Dowel (8x30mm)	30
D	Bolt (M6x25mm)	6
E	Screw for Runner (3x14mm)	8
F	Screw for Drawer (3x30mm)	4
G	Carcass Screw (7x45mm)	8



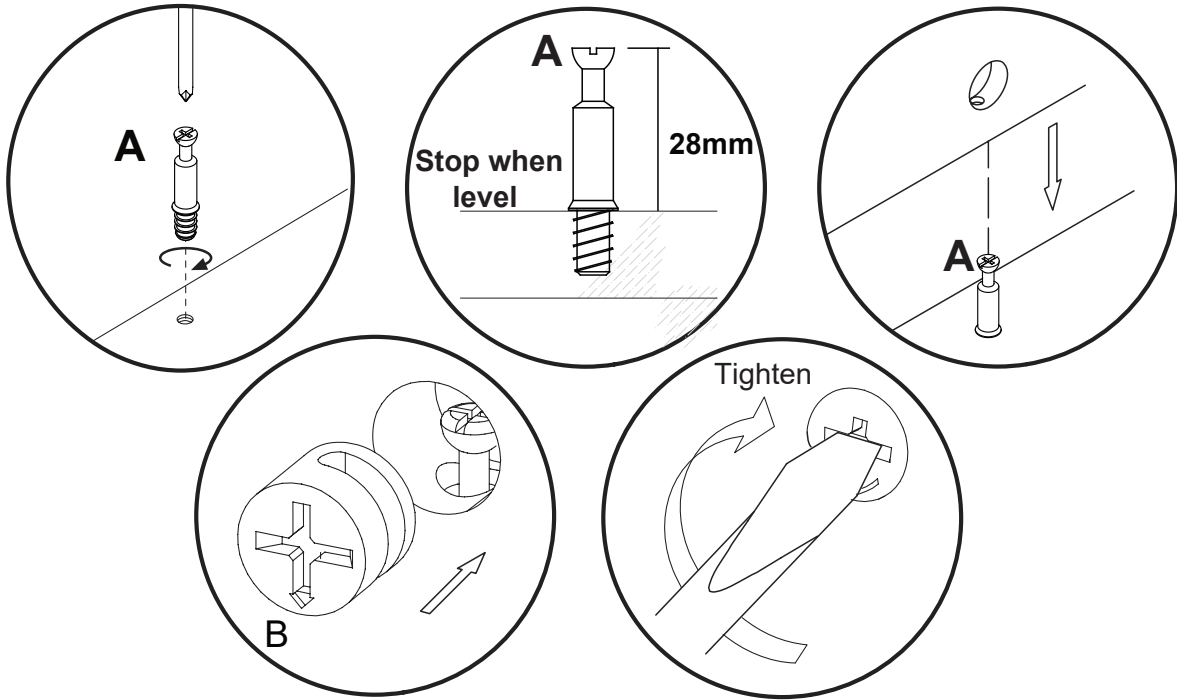
## Fittings (not to scale)

Code	Item	Quantity
H	Allen Key	1
K	Outer Drawer Runner Right	1
L	Outer Drawer Runner Left	1
M	Inner Drawer Runner Right	1
N	Inner Drawer Runner Left	1



# CANYON CORNER TV UNIT ASSEMBLY INSTRUCTIONS

## General Hints & Tips



## STEP 1

Diagram illustrating the assembly of the TV unit. The main assembly shows a long metal bar (14) being attached to a TV panel (12) and a side panel (13). Screws A and C are used for attachment. A separate diagram shows a square plate (11) being attached to the side panel with screws C.

For this step:  
**Tools required**

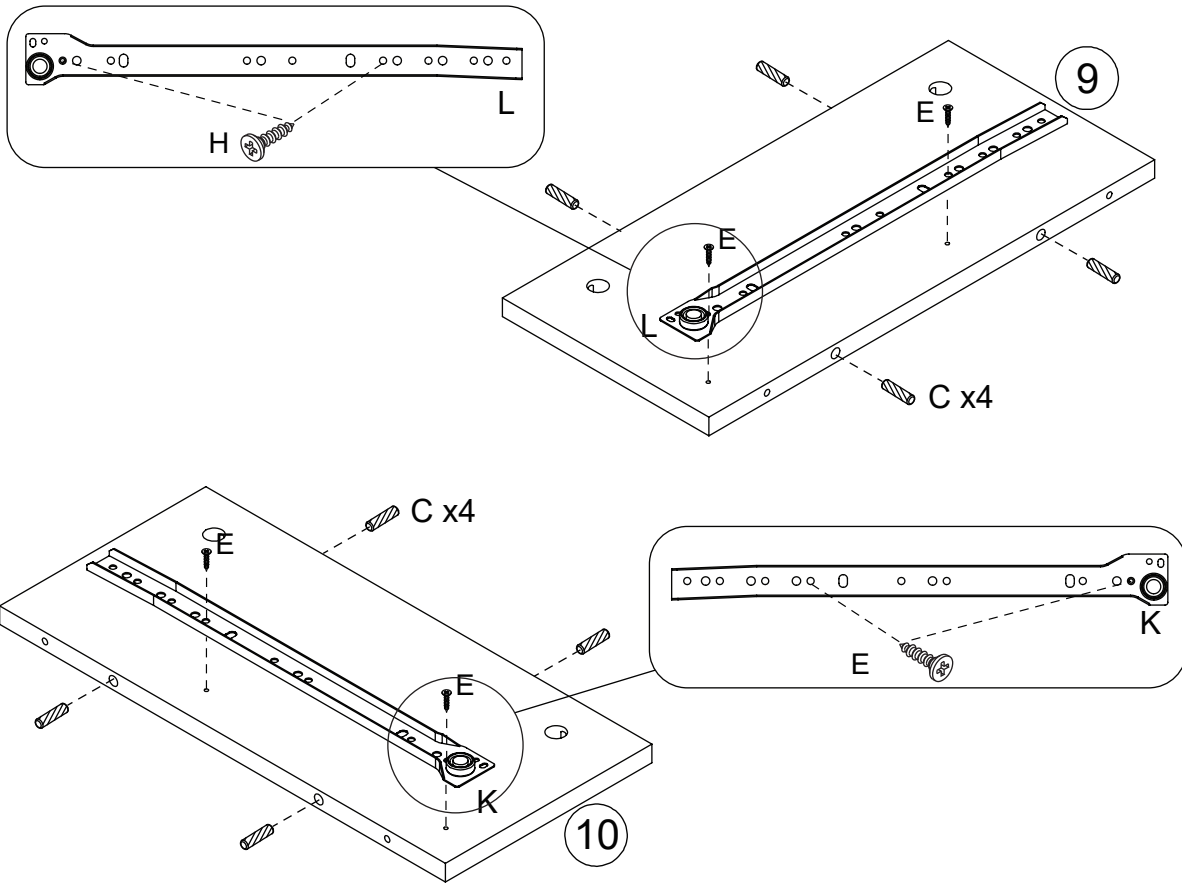
**Fittings required**

A x6

C x14

# CANYON CORNER TV UNIT ASSEMBLY INSTRUCTIONS

## STEP 2

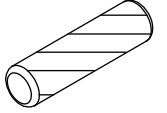


For this step:

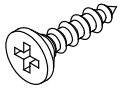
**Tools required**



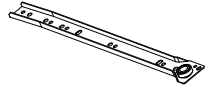
**Fittings required**



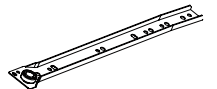
C x8



E x4

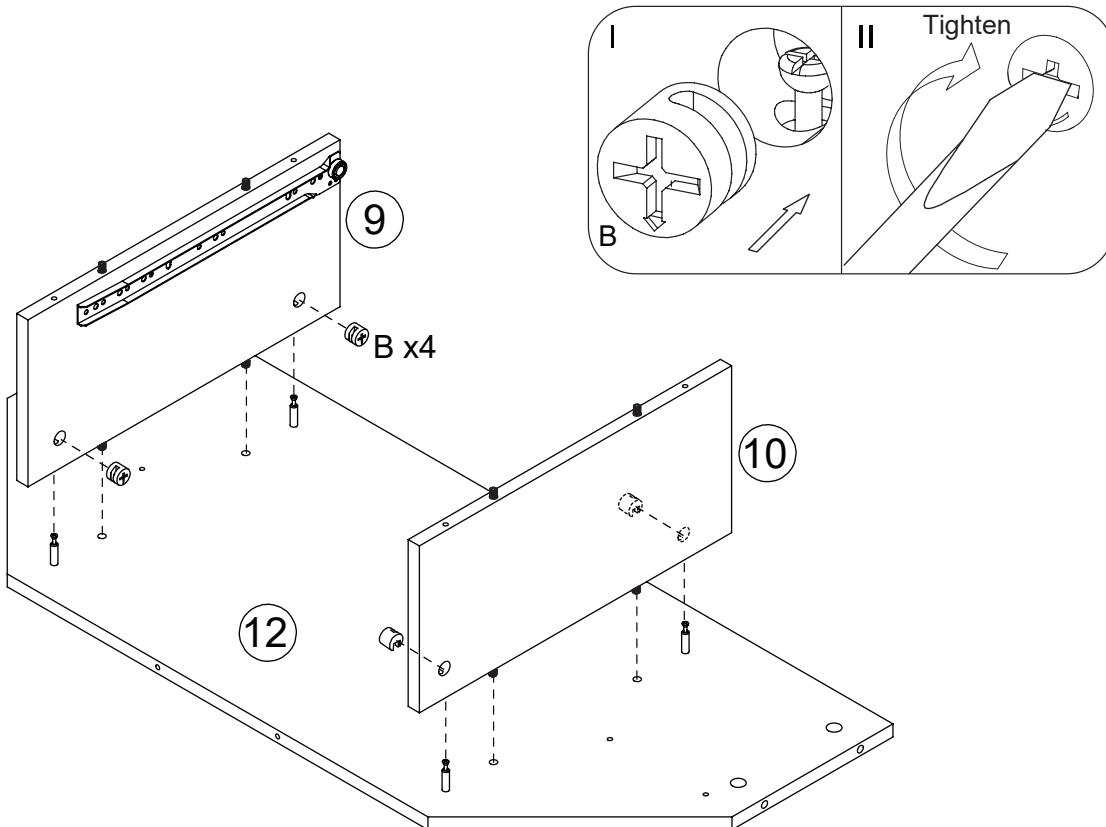


K x1



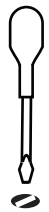
L x1

## STEP 3



For this step:

**Tools required**



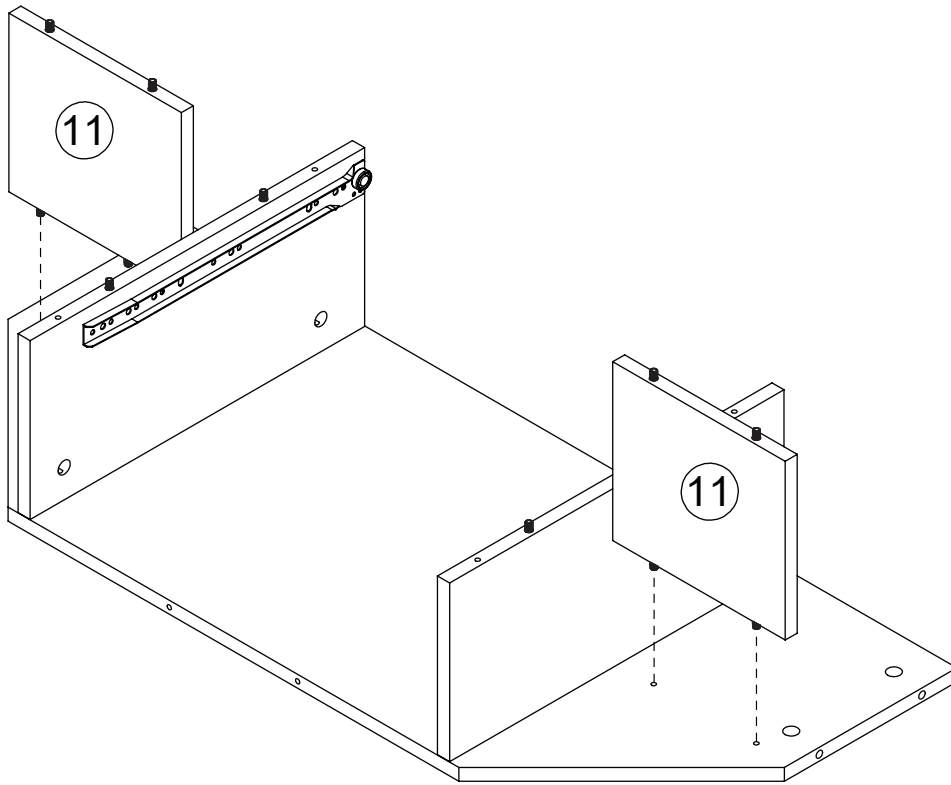
**Fittings required**



B x4

# CANYON CORNER TV UNIT ASSEMBLY INSTRUCTIONS

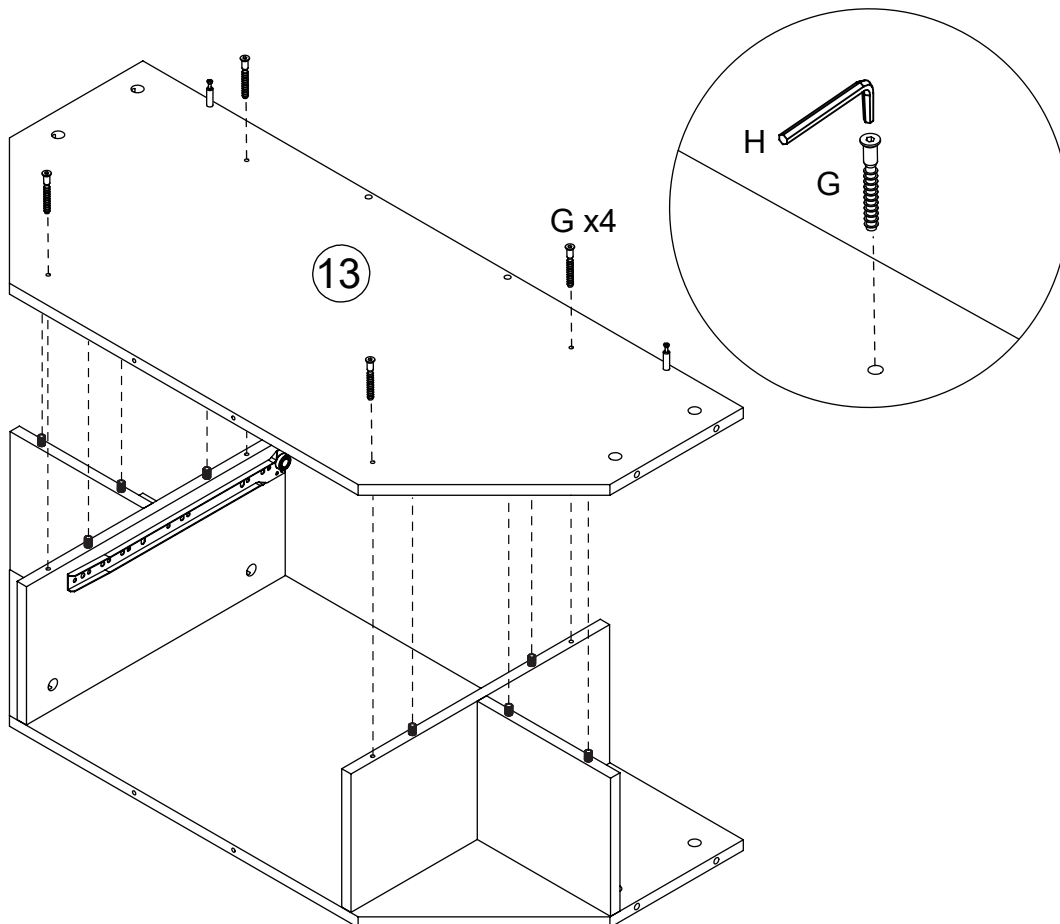
## STEP 4



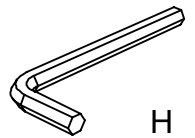
For this step:  
**Tools required**

**Fittings required**

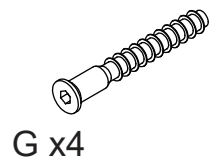
## STEP 5



For this step:  
**Tools required**



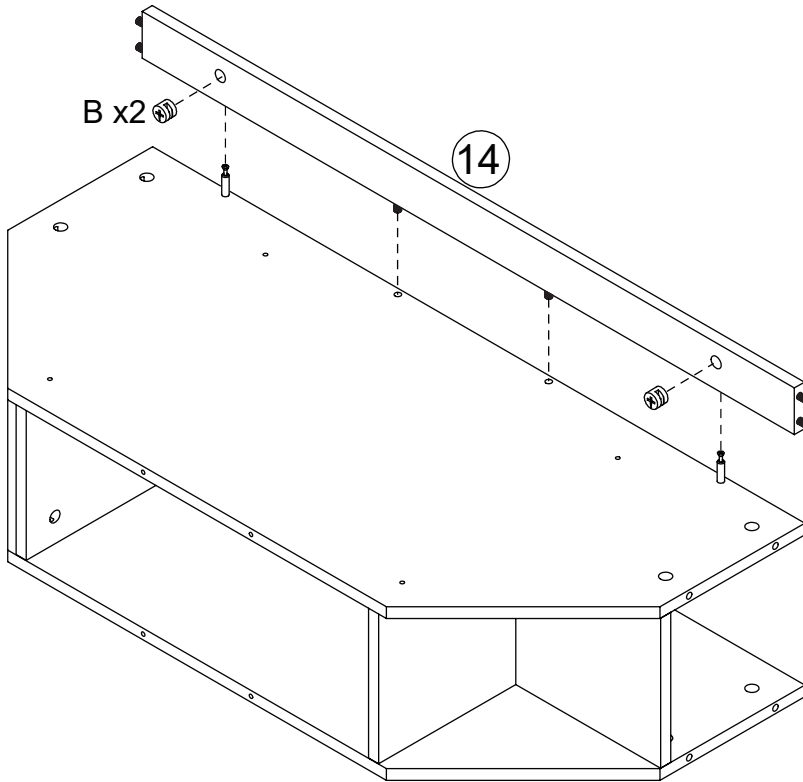
**Fittings required**





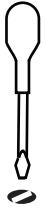
# CANYON CORNER TV UNIT ASSEMBLY INSTRUCTIONS

## STEP 6



For this step:

**Tools required**

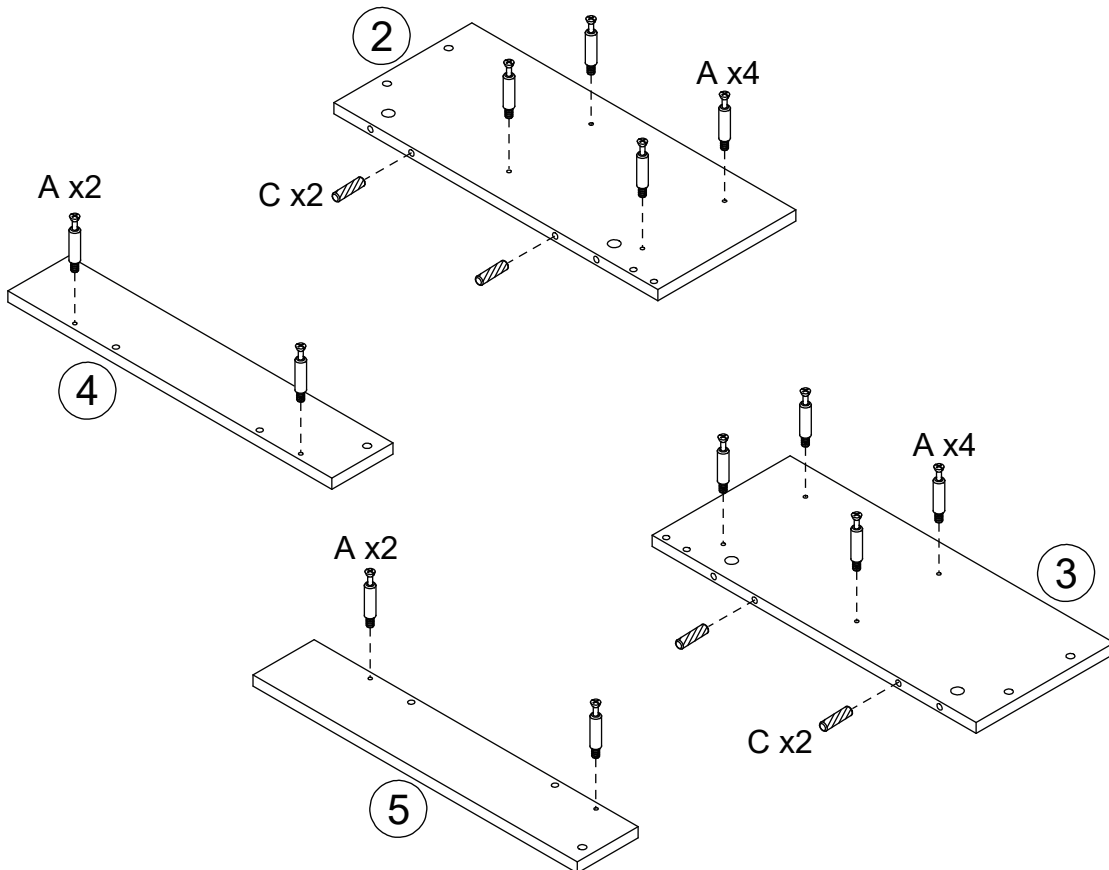


**Fittings required**



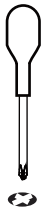
B x2

## STEP 7

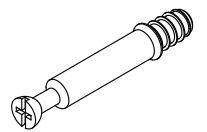


For this step:

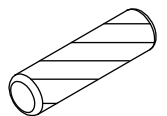
**Tools required**



**Fittings required**



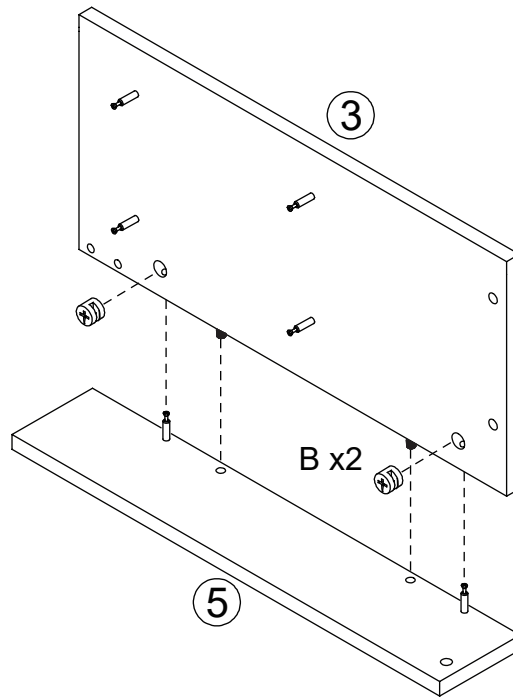
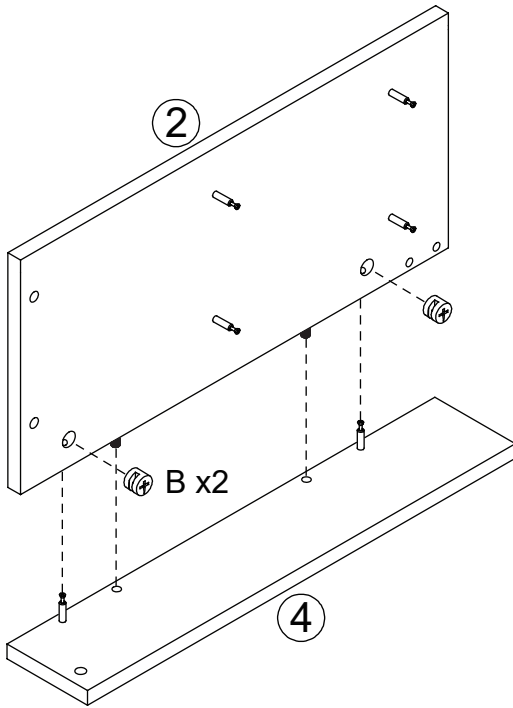
A x12



C x4

# CANYON CORNER TV UNIT ASSEMBLY INSTRUCTIONS

## STEP 8



For this step:

**Tools required**

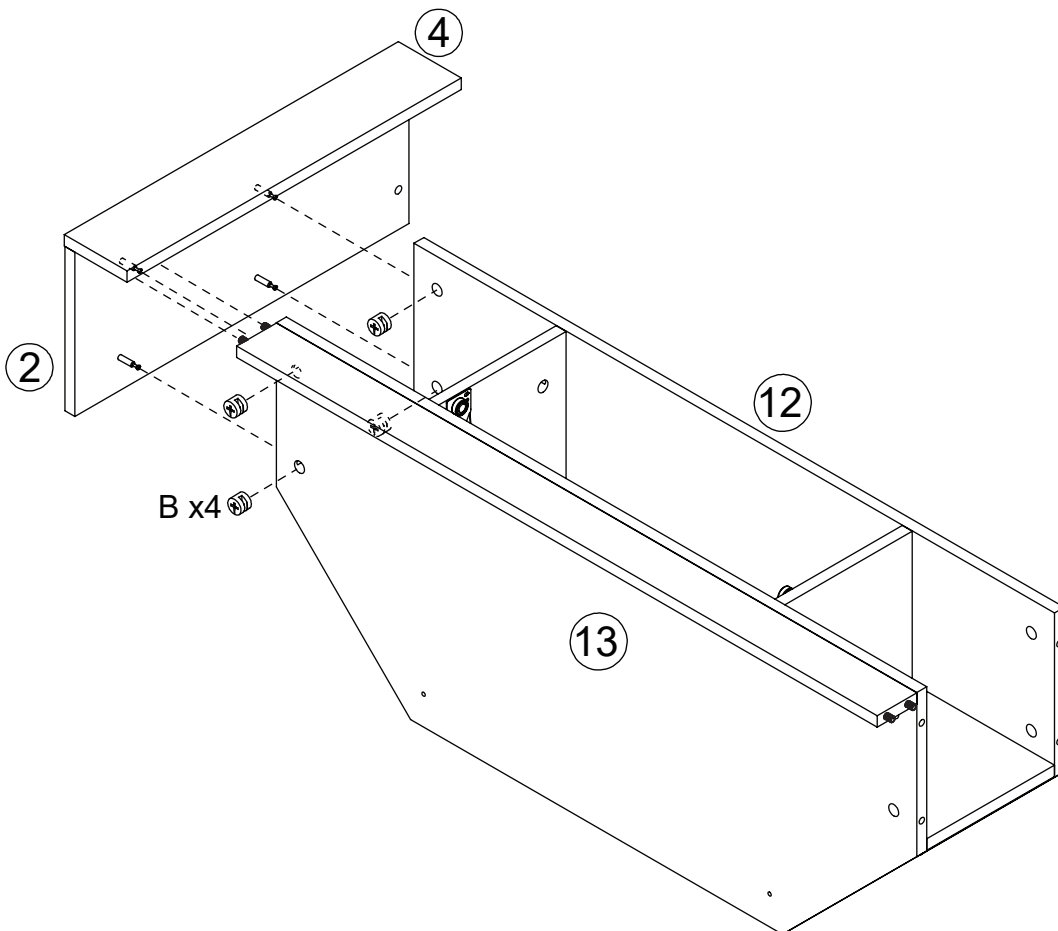


**Fittings required**



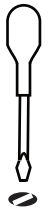
B x 4

## STEP 9



For this step:

**Tools required**



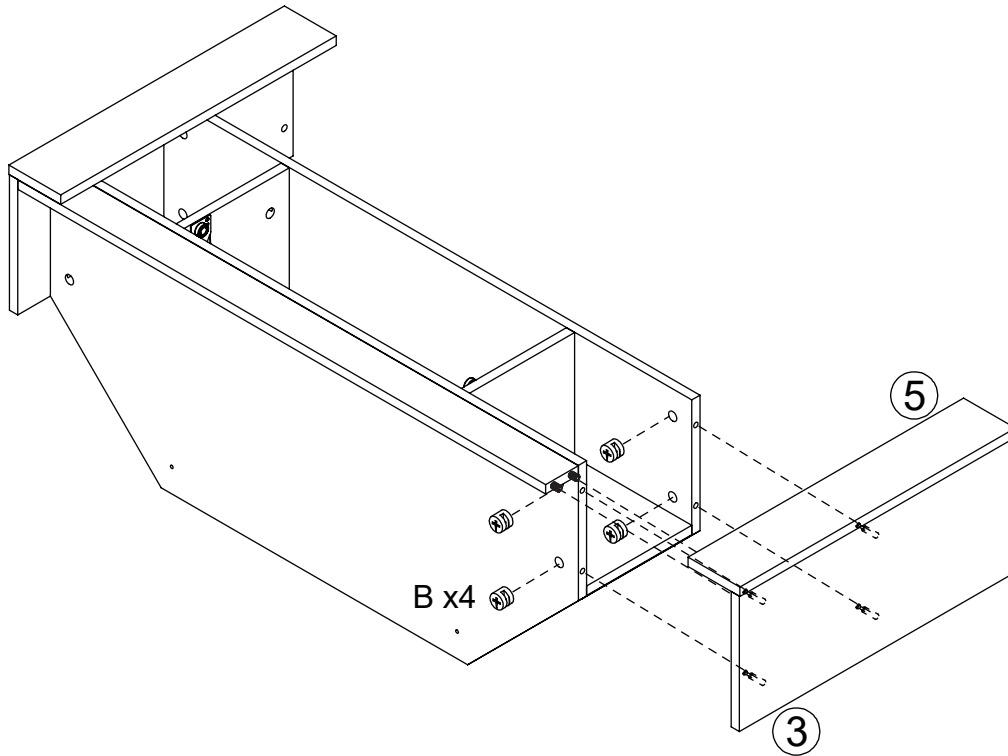
**Fittings required**



B x 4

# CANYON CORNER TV UNIT ASSEMBLY INSTRUCTIONS

## STEP 10



For this step:

**Tools required**

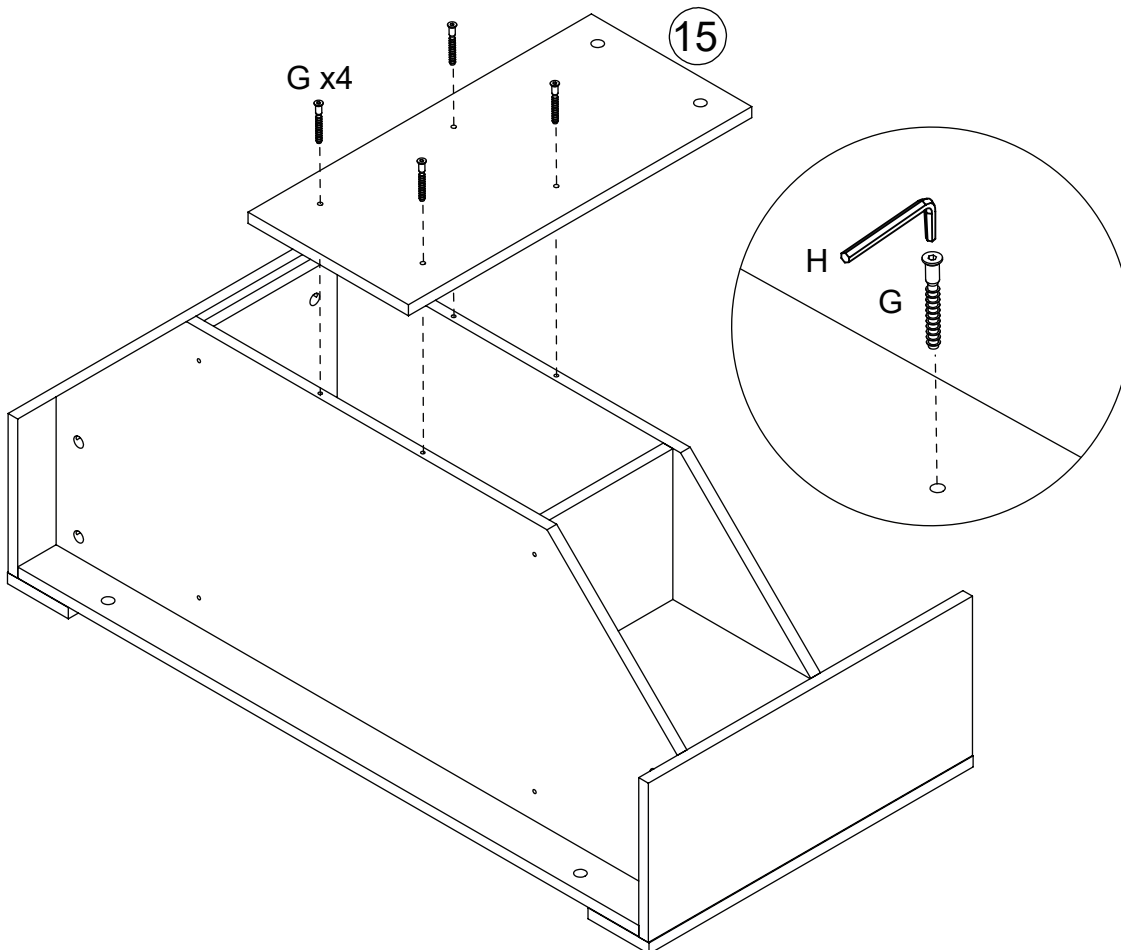


**Fittings required**



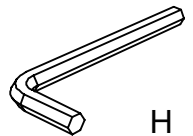
B x4

## STEP 11

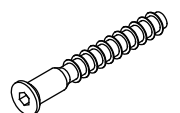


For this step:

**Tools required**



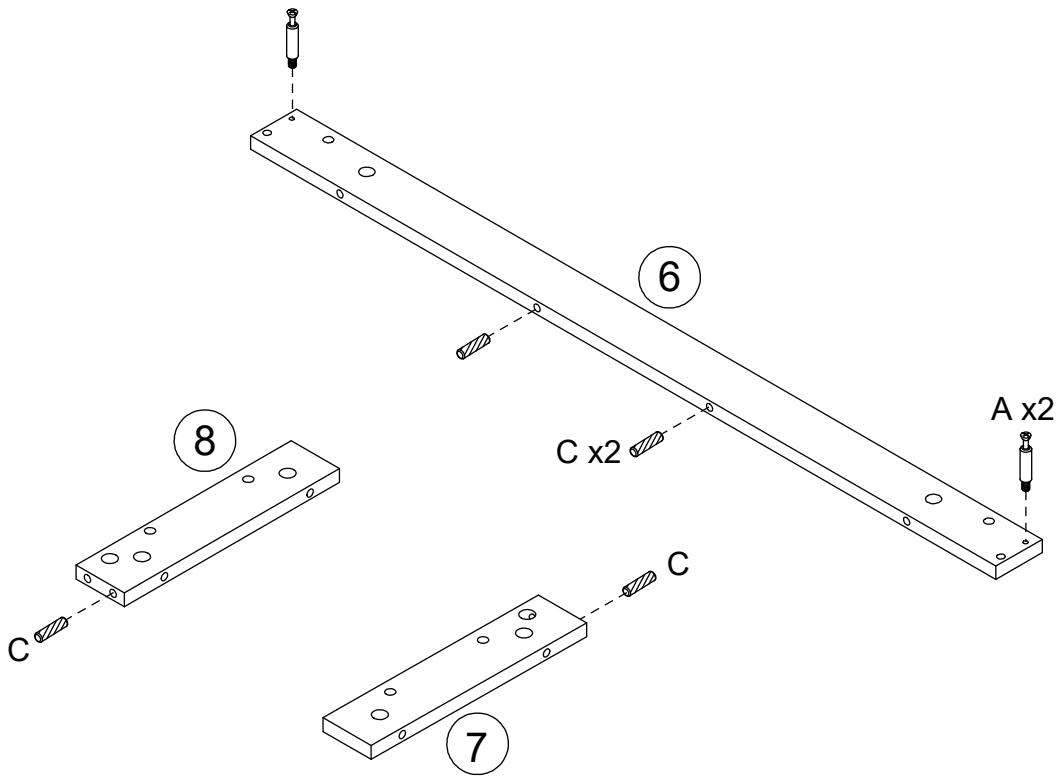
**Fittings required**



G x4

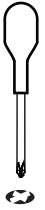
# CANYON CORNER TV UNIT ASSEMBLY INSTRUCTIONS

## STEP 12

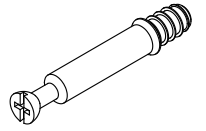


For this step:

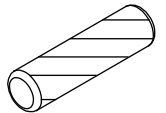
**Tools required**



**Fittings required**

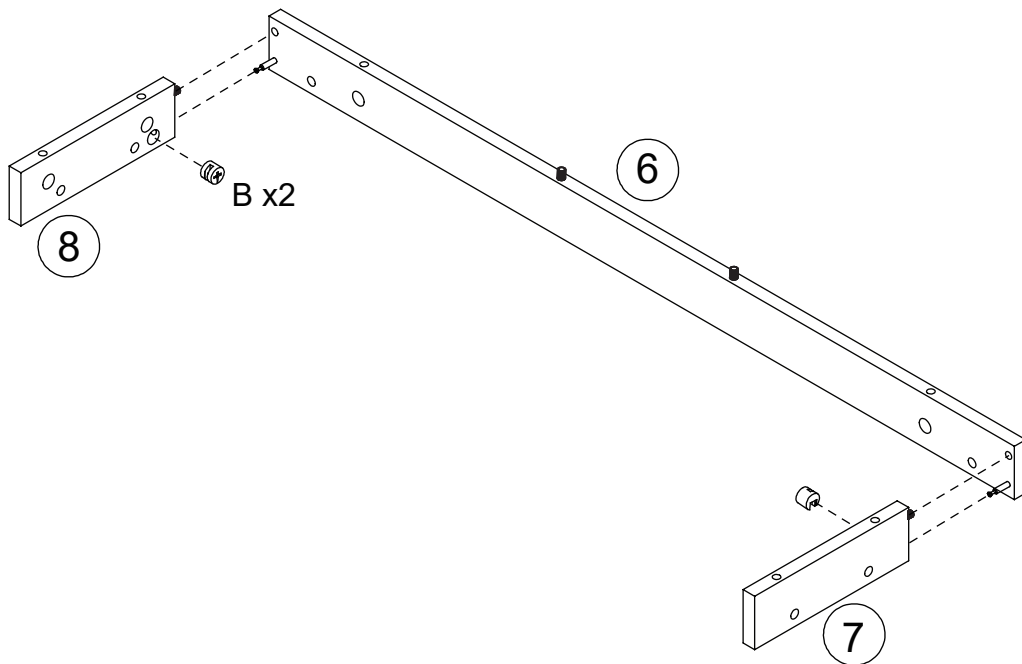


A x2



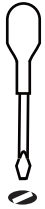
C x4

## STEP 13



For this step:

**Tools required**



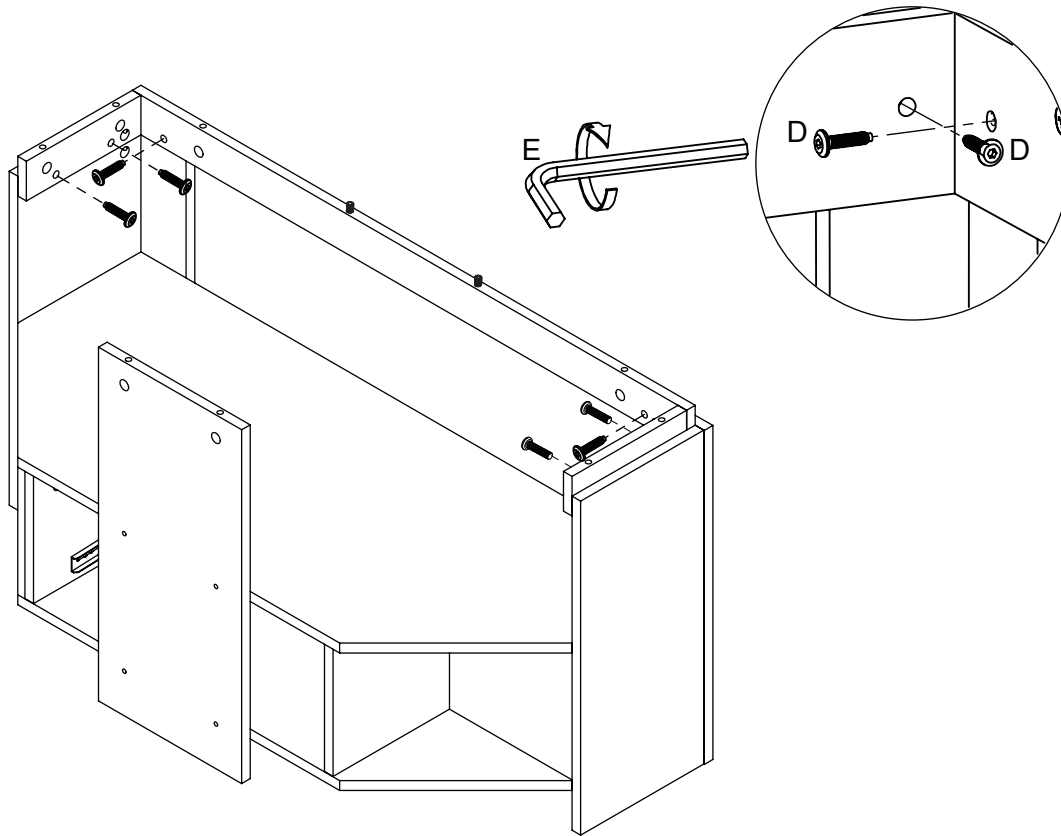
**Fittings required**



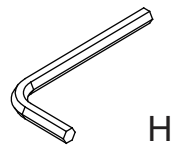
B x2

# CANYON CORNER TV UNIT ASSEMBLY INSTRUCTIONS

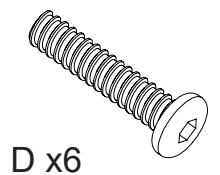
## STEP 14



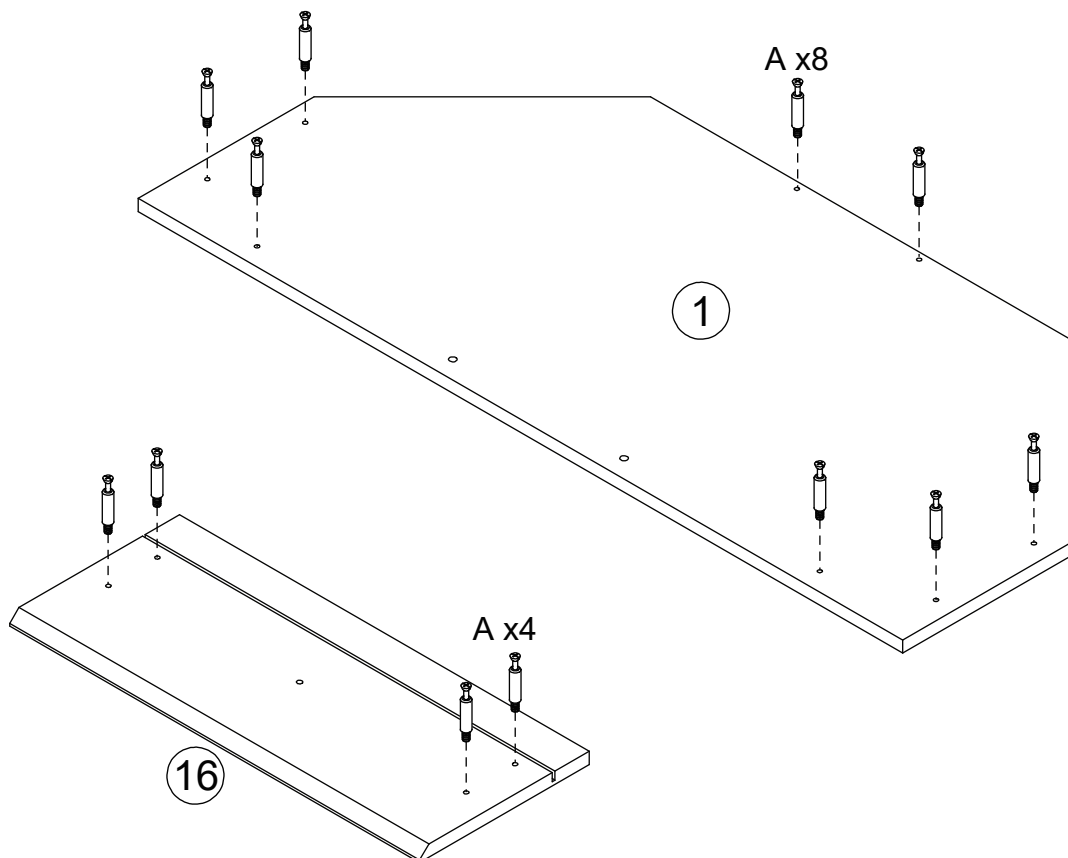
For this step:  
**Tools required**



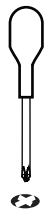
**Fittings required**



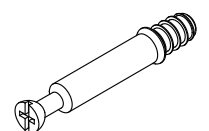
## STEP 15



For this step:  
**Tools required**



**Fittings required**

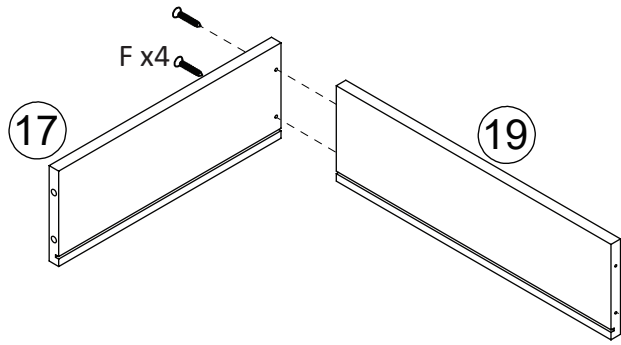


A x12

# CANYON CORNER TV UNIT ASSEMBLY INSTRUCTIONS

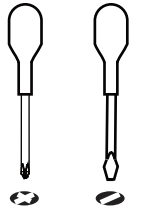
## STEP 16

i.

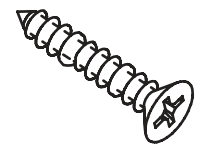


For this step:

**Tools required**

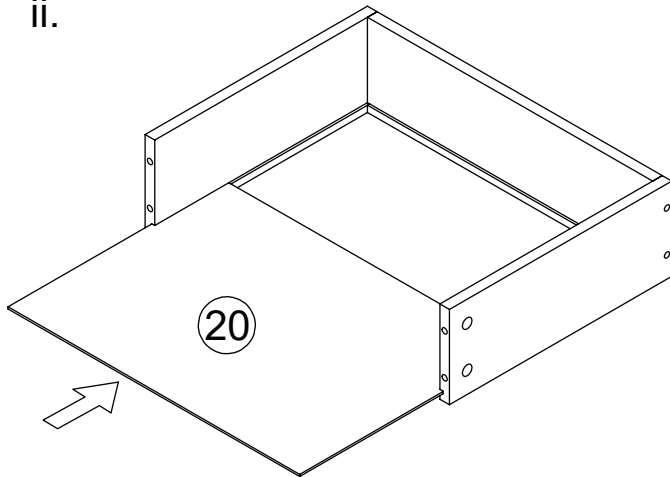


**Fittings required**

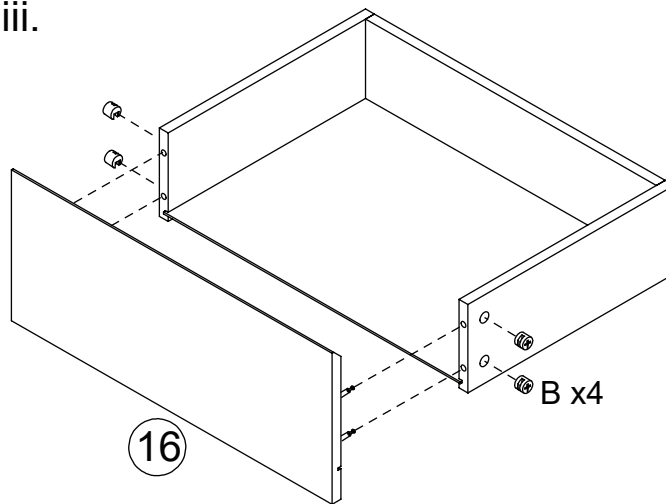


F x4

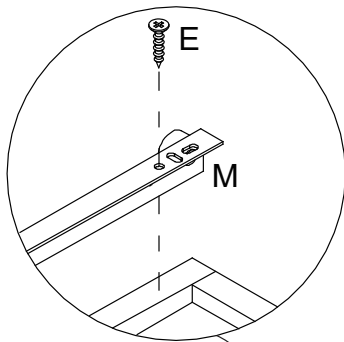
ii.



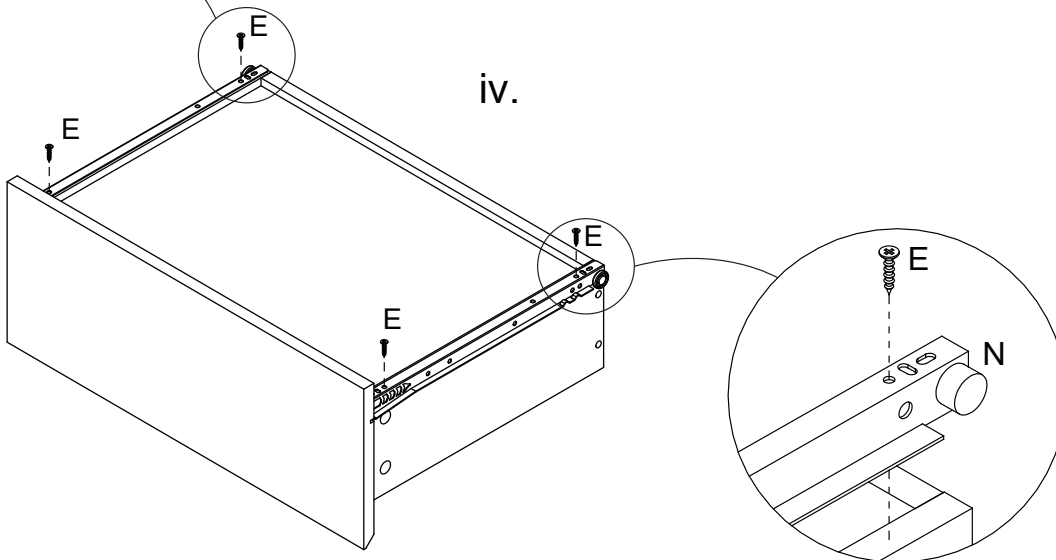
iii.



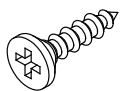
B x4



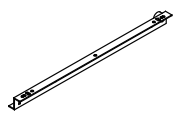
iv.



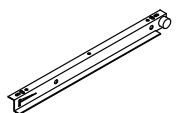
E x4



M x1

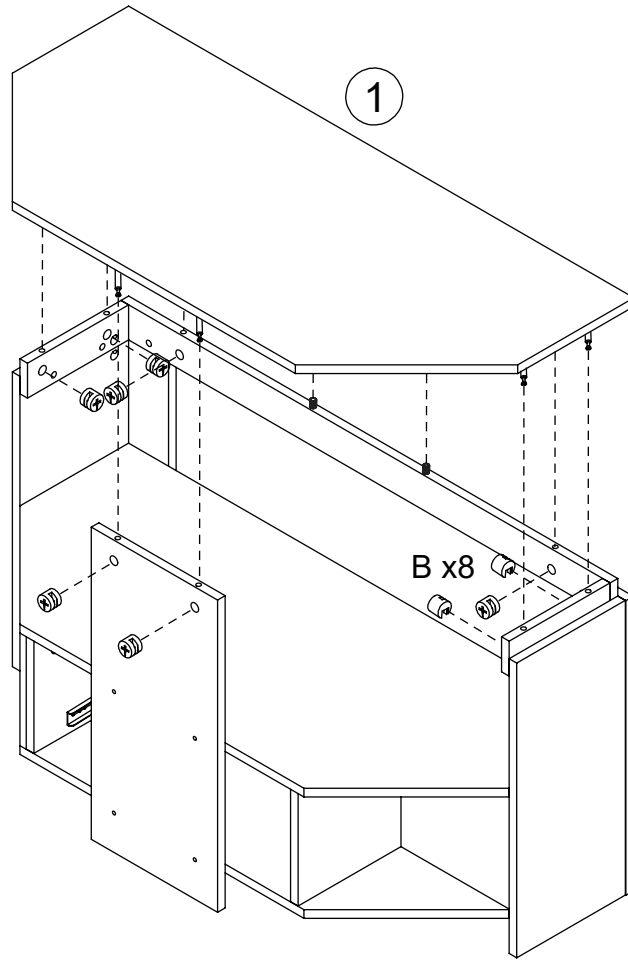


N x1



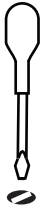
# CANYON CORNER TV UNIT ASSEMBLY INSTRUCTIONS

## STEP 17



For this step:

**Tools required**

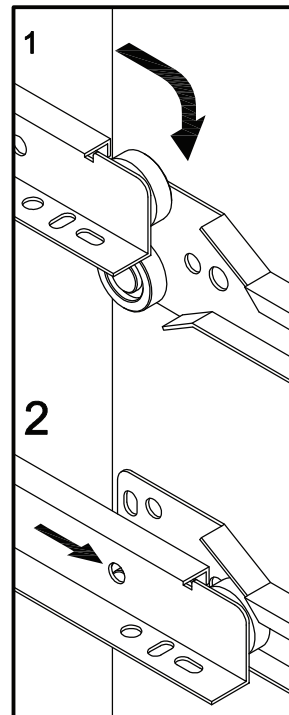
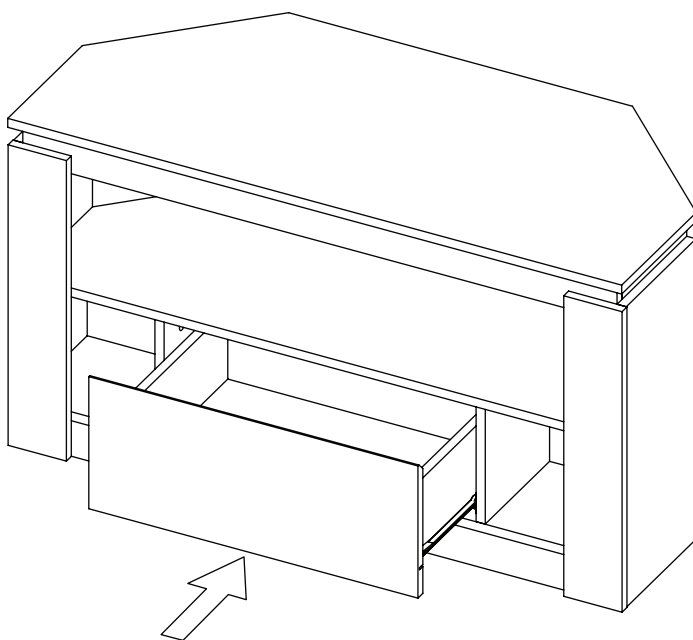


**Fittings required**



B x8

## STEP 18



For this step:

**Tools required**

**Fittings required**

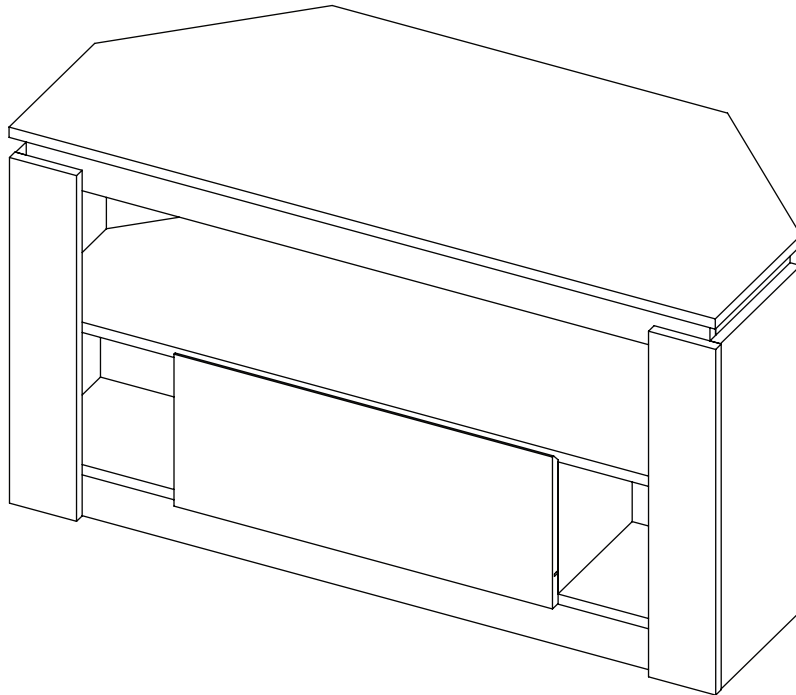
# CANYON CORNER TV UNIT ASSEMBLY INSTRUCTIONS

## Assembly Completed

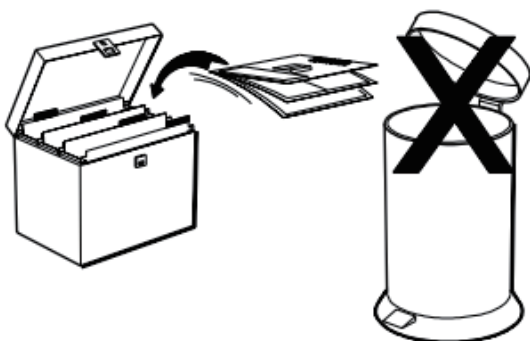
Your Canyon Corner TV Unit is now completely assembled.

Periodically check to ensure that the components are in their proper position, free from damage.

Also, make sure the connectors are tight and secure.



### Keep instructions for future reference



Supplied by : GFW THE FURNITURE WAREHOUSE  
Waterside Distribution Centre  
Waterside Business Park  
Johnson Road  
Lancashire  
BB3 3RT