

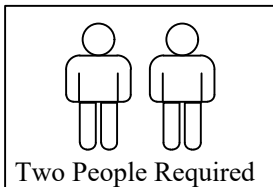
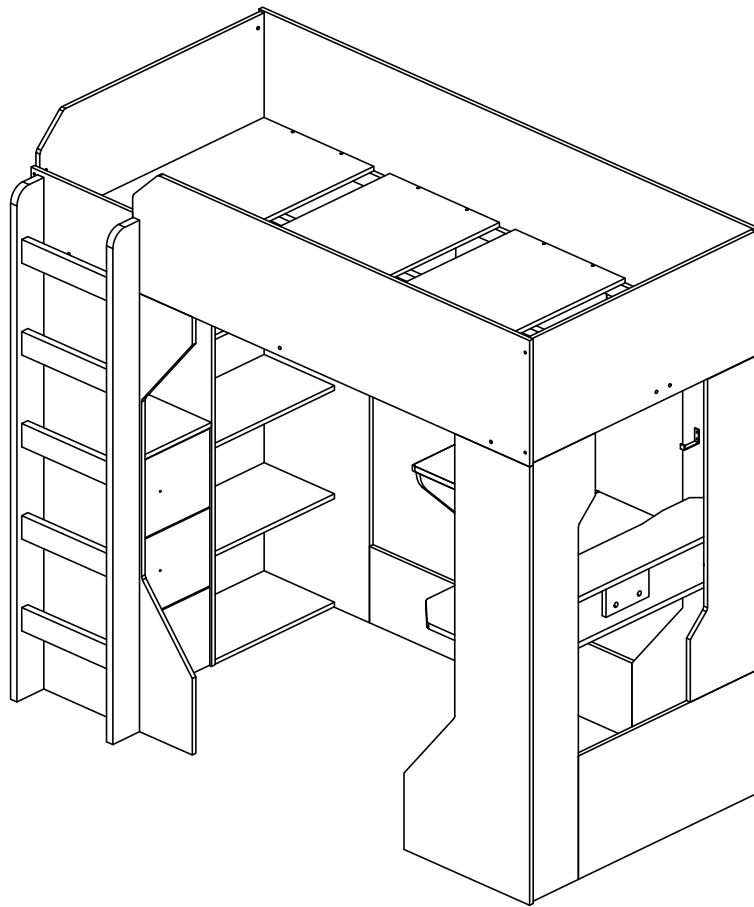
**IMPORTANT  
KEEP FOR FUTURE REFERENCE & READ CAREFULLY**

# **GHS01 GAMING HIGH SLEEPER**

Follow us on  
facebook



[www.facebook.com/kidsaw](http://www.facebook.com/kidsaw)



## **INSTRUCTIONS**

# **KIDSAW<sup>®</sup>**

**MAKES FURNITURE CHILDS' PLAY**

**Kidsaw Ltd**

**+44 (0)116 2519551 Email: [support@kidsaw.co.uk](mailto:support@kidsaw.co.uk)**

**[www.kidsaw.co.uk](http://www.kidsaw.co.uk)**

# ASSEMBLY INSTRUCTIONS

**IMPORTANT: READ THESE INSTRUCTIONS CAREFULLY BEFORE ASSEMBLING THE BED.**

**IMPORTANT: - READ CAREFULLY -  
RETAIN FOR FUTURE REFERENCE**

## HEALTH & SAFETY:

DO NOT jump on this bed frame.

DO NOT use this bed frame if any parts are missing, damage or worn.

DO NOT use this bed frame unless all fixings are secured.

Please keep small parts out of reach of children.

Always use on a level, even surface.

This bed is tested to European safety standard BS EN 747-1 & 2:2012+A1:2015

**WARNING:** If this bed is placed on a non-carpeted floor you must place some protection under all legs to stop the bed frame from moving. If this is not adhered to there is no guarantee if the bed frame collapses.

**WARNING:** High beds and bunk beds are not suitable for use by children under six years of age due to risk of injury from falls.

**WARNING:** Please note the area underneath the bed is to used for storage purpose only.

**WARNING:** High beds and bunk beds can present a serious risk of injury from strangulation if not used correctly. Never attach or hang anything on any part of the frame that is not designed to be used with the bed, for example, but not limited to ropes, strings, cords, hooks, belts, and bags.

**WARNING:** Do not use the high bed and bunk beds if any structural part is broken or missing.

**WARNING:** Children can become trapped between the bed and the wall, a roof pitch, the ceiling, adjoining pieces of furniture (e.g. cupboards) and the like. To avoid risk of serious injury, the distance between the top safety barrier and the adjoining structure shall not exceed 75mm or shall be more than 230mm.

- Always follow the manufacturer's instructions.

- Use ladder for entering and leaving upper bunk.

## CARE & MAINTENANCE:

Assemble in the room of use.

Assemble on a soft, clean surface.

**Please check regularly that all assembly fastening are properly tightened.**

**DO NOT** push the bed frame as this will damage the legs.

Always lift the bed with two people to reposition.

Use a soft, dry cloth to clean - do not use any detergents or chemicals.

Avoid contact with water and direct sunlight. Ventilation is necessary. **Do not place bed near heat sources, window to keep the humidity low and prevent mould in and around the bed.**

## INFORMATION

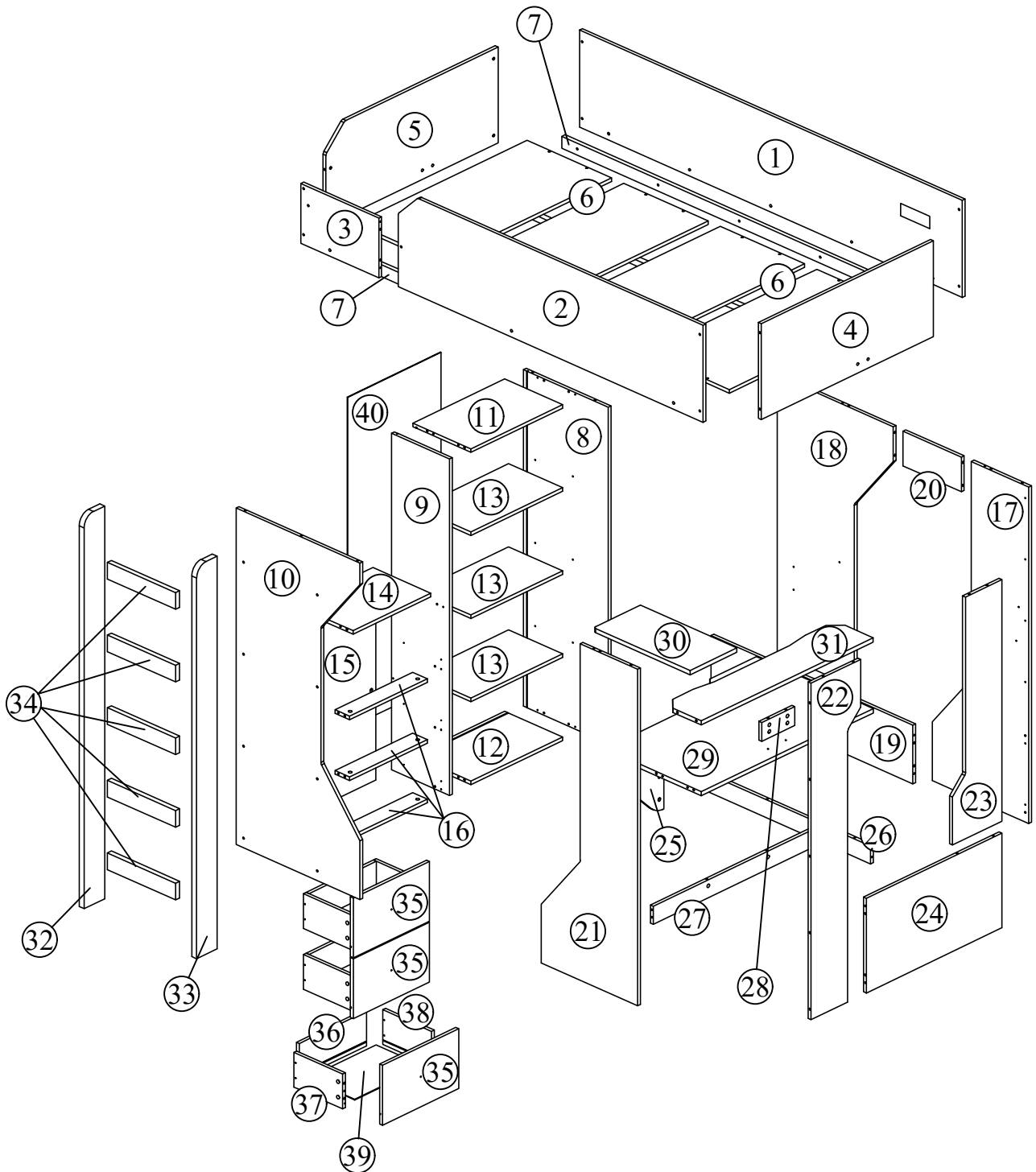
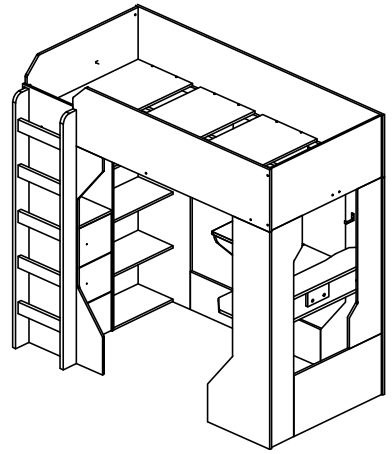
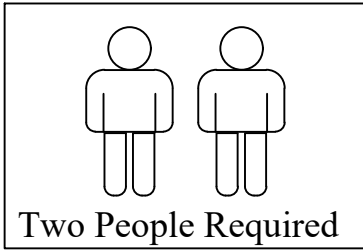
- Maximum thickness of mattress 18cm. Please refer to marking headboard.

- Recommend size of mattress L190cm x W90cm x H18cm

- When you are ready to start, make sure that you have the right tools, plenty of space on a clean, dry area for assembly.

- Check the pack and make sure you have all the part listed.

- Ensure that this product is fully assembly and secured as illustrated before use.



# PARTS LIST

Carton 1 of 5:

Part	Description	Qty
4	Right side Panel	1
5	Left side Panel	1
8	Shelf Cabinet Right side Panel	1
9	Shelf Cabinet Left side Panel	1
11	Shelf Cabinet Top Panel	1
12	Shelf Cabinet Bottom Panel	1
13	Shelf Panel	3
Hardware		

Carton 2 of 5:

Part	Description	Qty
6	Base Panel	4
14	Chest of Drawer Top Panel	1
16	Chest of Drawer Support Rail	3
35	Drawer Head Panel	3
36	Drawer Back Panel	3
37	Drawer Left side Panel	3
38	Drawer Right side Panel	3
39	Drawer Bottom Panel	3
METAL RUNNER, USB LED		

Carton 3 of 5:

Part	Description	Qty
1	Rear Guardrail	1
2	Front Guardrail ( LONG )	1
7	Base Support Panel	2
32	Ladder Left Panel	1
33	Ladder Right Panel	1
34	Ladder Step Panel	5

















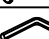




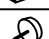
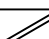


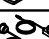


Carton 4 of 5:

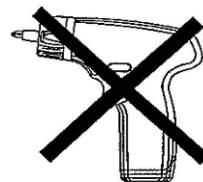
Part	Description	Qty
10	Chest of Drawer Left side Panel	1
17	Back Right side Support Panel	1
21	Table Right side Panel	1
22	Right side Front Support Panel	1
23	Right side Rear Support Panel	1
26	Table Bottom Support ( LONG )	1
27	Table Bottom Support ( SHORT )	1
40	Shelf Cabinet Back Support Panel	1

Carton 5 of 5:

Part	Description	Qty
3	Front Guardrail ( SHORT )	1
15	Chest of Drawer Back Panel	1
18	Back Left side Support Panel	1
19	Back Bottom Support panel	1
20	Back Up Support Panel	1
24	Right side Bottom Panel	1
25	Table Bottom Left side Support	1
28	Small Table Bottom Support Panel	1
29	Table Top Panel	1
30	Table Top Panel	1
31	Table Top Panel	1

# HARDWARE LIST: Carton 1 of 4

Part	Description	Qty
A	CAM NUT 15mm 	131
B	CAM BOLT 	63
C	DOUBLE END BOLT 7mm 	34
D	WOOD DOWEL M6 x 25 mm 	44
E	WOOD DOWEL M6 x 50 mm 	14
F	CSK SCREW M3.5 x 12 mm 	36
G	CSK SCREW M3.5 x 16 mm 	9
H	CSK SCREW M4 x 25 mm 	3
I	CSK SCREW M4 x 38 mm 	28
J	CSK SCREW M4 x 45 mm 	6
K	UNITA SCREW M6 x 40 mm 	10
L	BARREL NUT M6 	18
M	JCN NUT M6 	10
N	JCBC SCREW M6 x 12 mm 	6
O	JCBC SCREW M6 x 25 mm 	6
P	JCBC SCREW M6 x 30 mm 	4
Q	JCBC SCREW M6 x 50 mm 	8
R	JCBC SCREW M6 x 60 mm 	10
S	ALLEN KEY 	2
T	METAL SHELF SUPPORT 	12
U	HEADPHONES METAL BRACKET 	1
V	KNOB HANDLE 2613 	3
W	V - BRACKET 	2
X	PVC NAIL 5/8" 	17
Y	PIPE 482 mm 	1
Z	METAL RUNNER 10" 	3
A1	METAL PLATE 2 HOLE 75x25mm 	1
A2	USB PORT 	1
A3	USB LED 	1
A4	METAL PIPE 1920 mm 	1



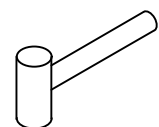
**\*\* WARNING: THE USE OF POWER TOOLS TO ASSEMBLE THIS PRODUCT WILL INVALIDATE ANY CLAIM AND MAY DAMAGE THIS PRODUCT MAKING IT UNSAFE.**

**\*\* You will need a screwdriver and a small mallet (NOT provided)**

Tools You Need:











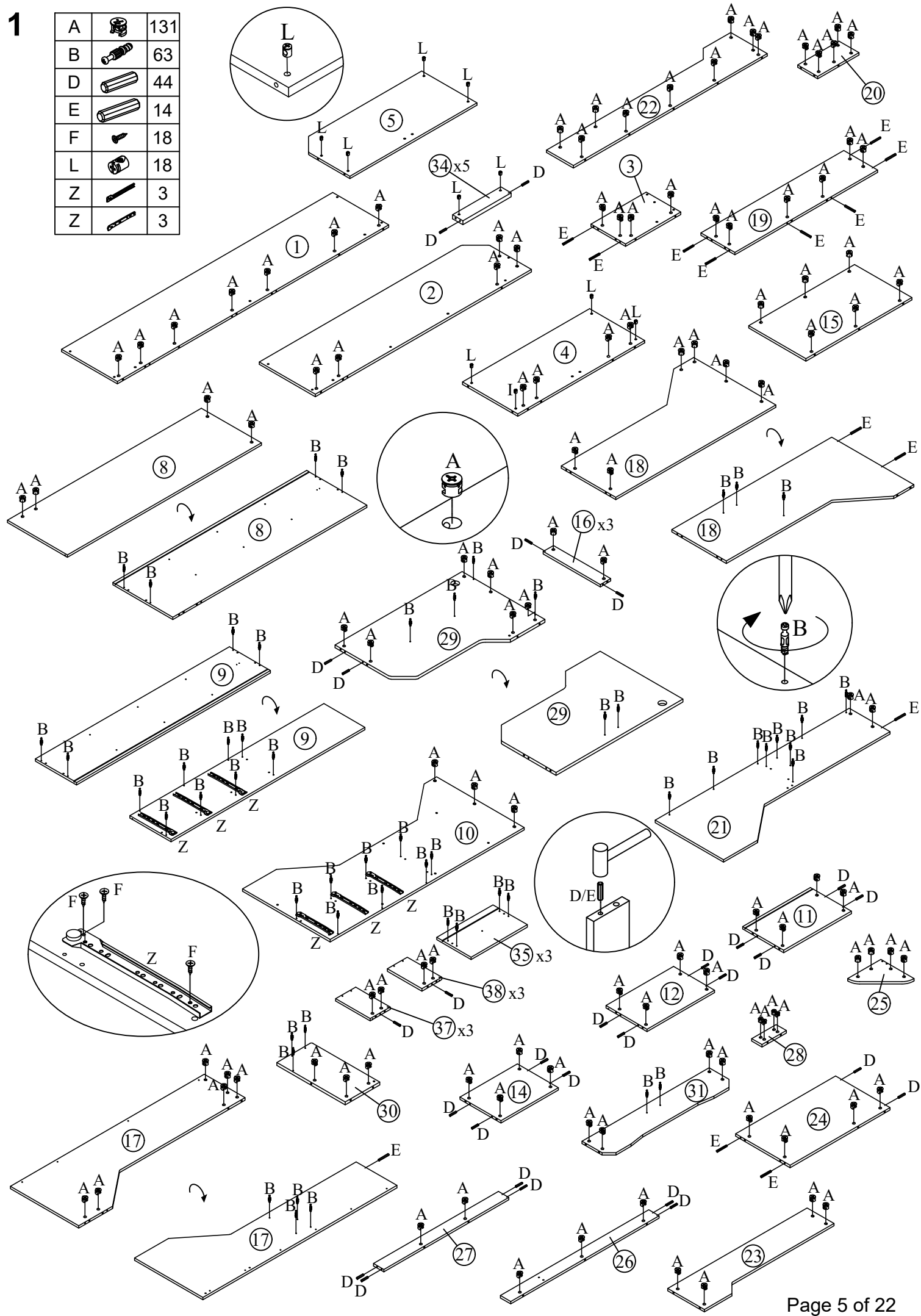
Philips Head Screwdriver



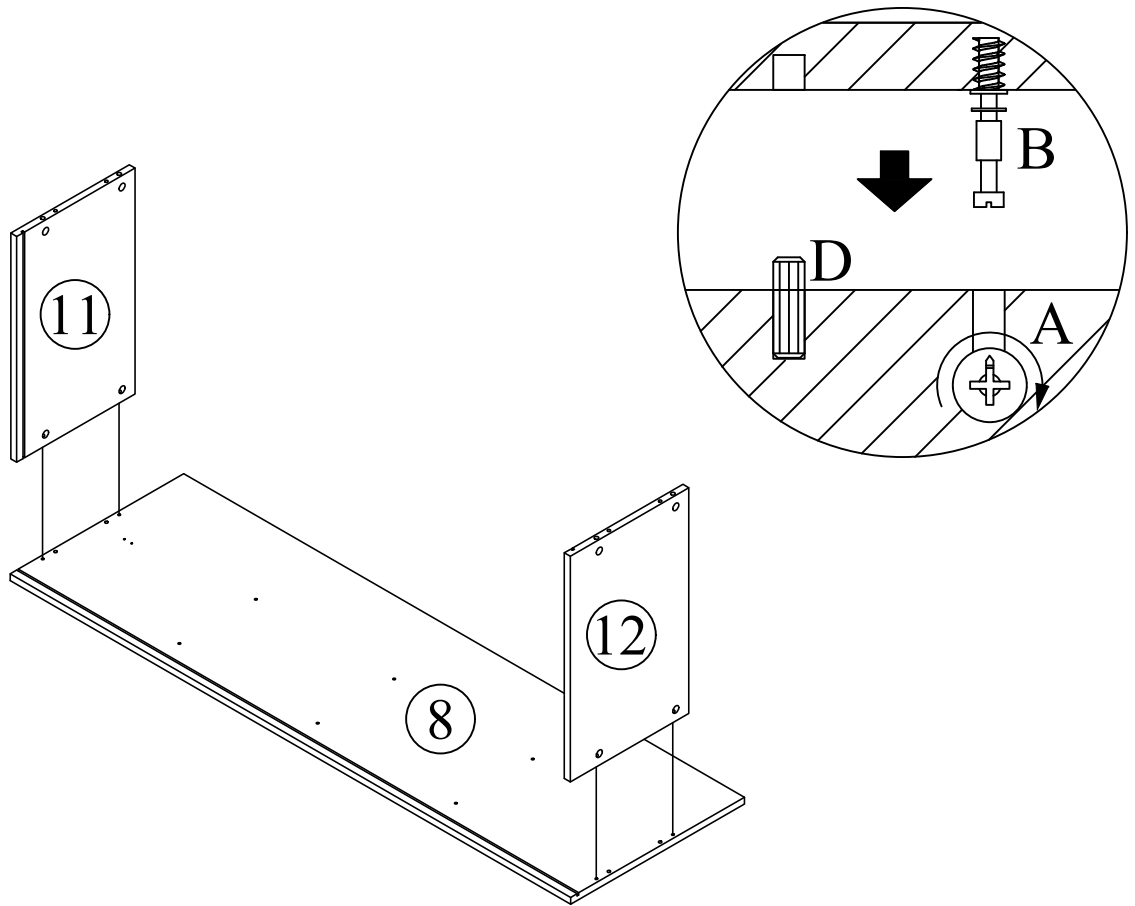
Soft Head Mallet

1

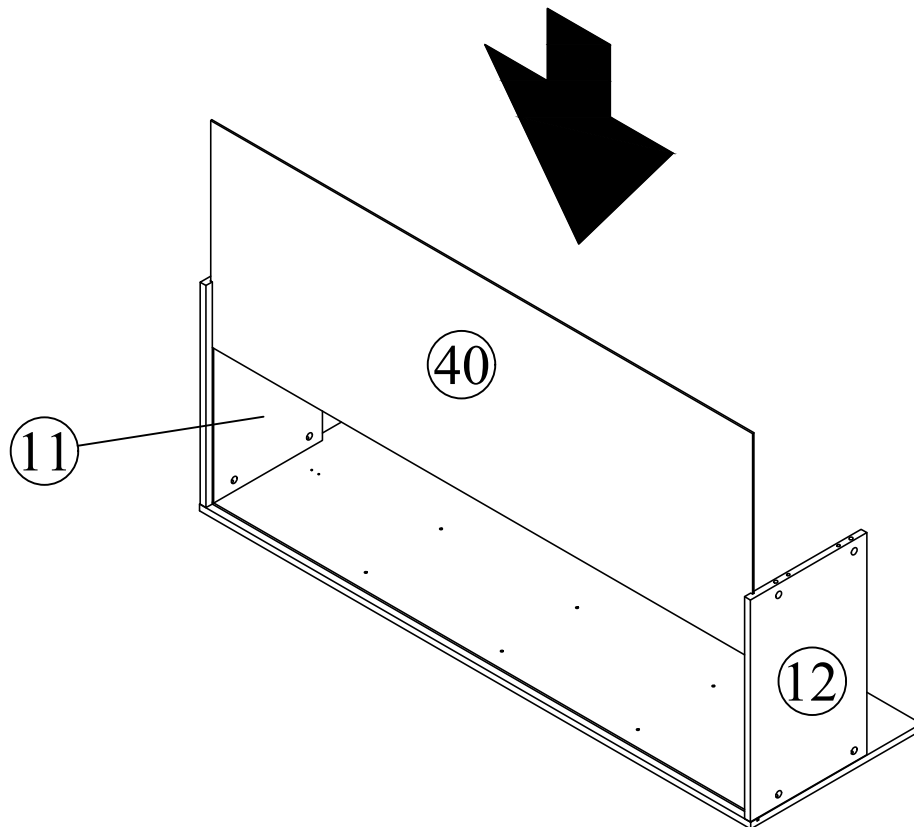
A		131
B		63
D		44
E		14
F		18
L		18
Z		3
Z		3



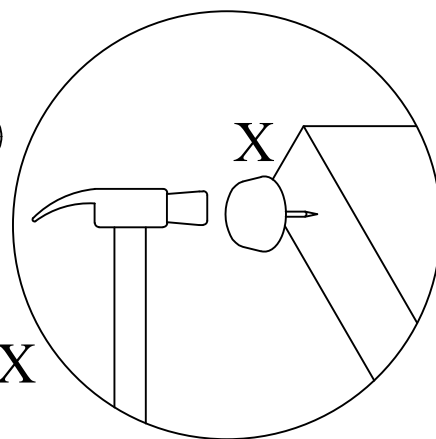
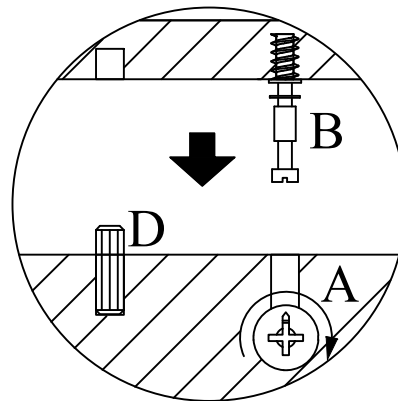
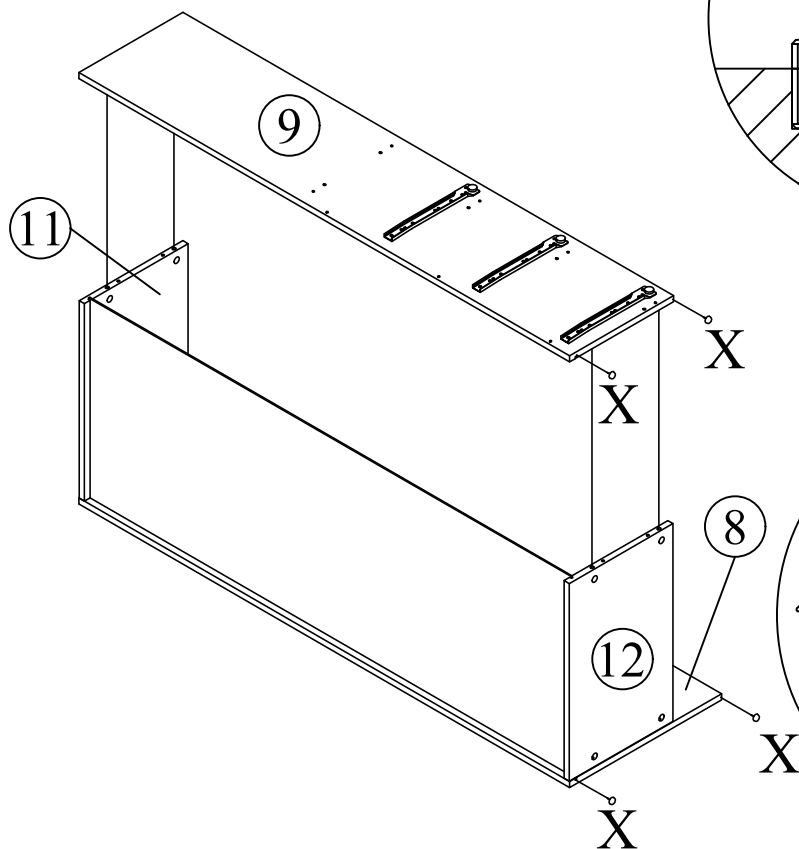
2



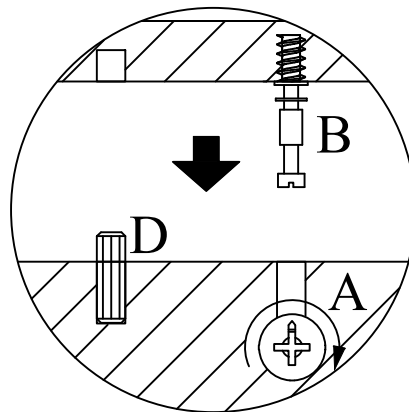
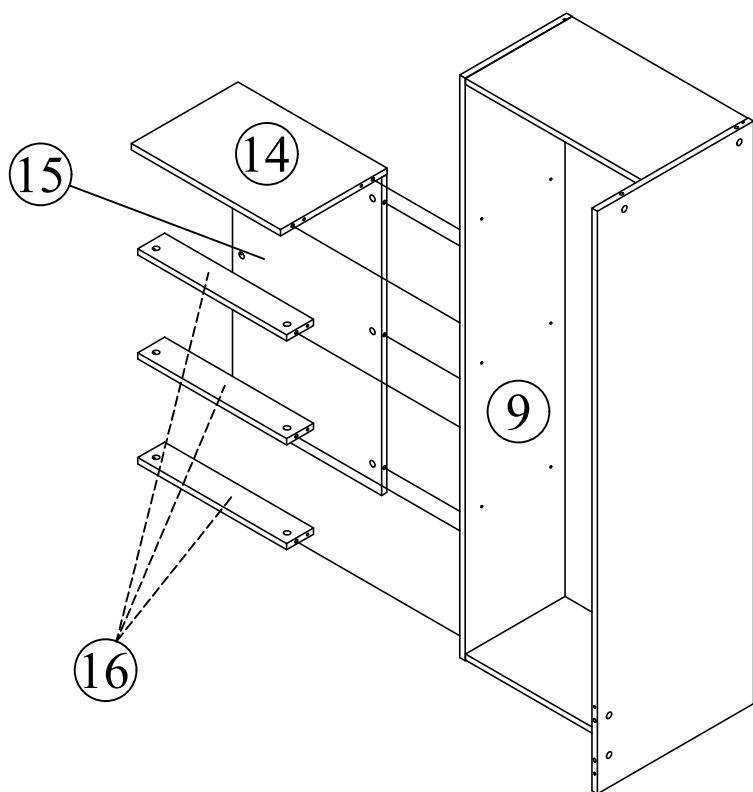
3



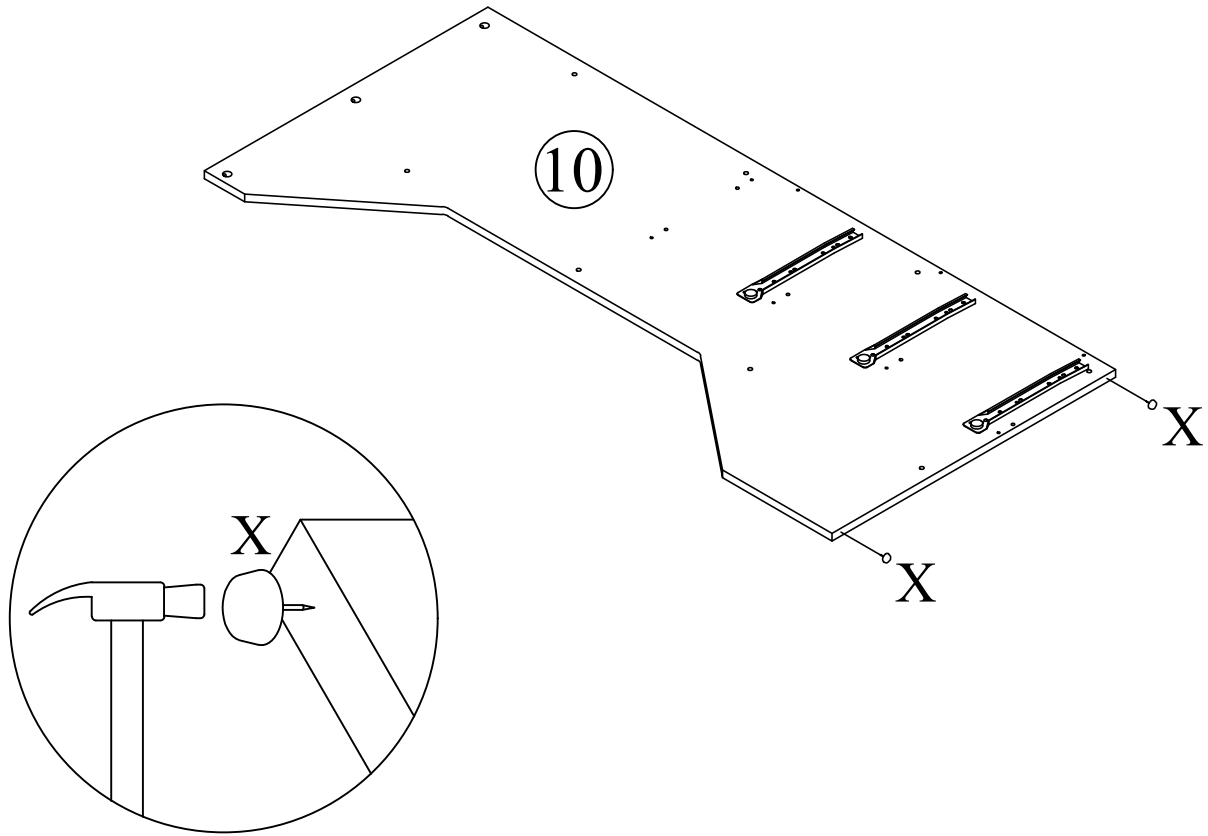
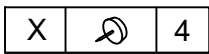
4



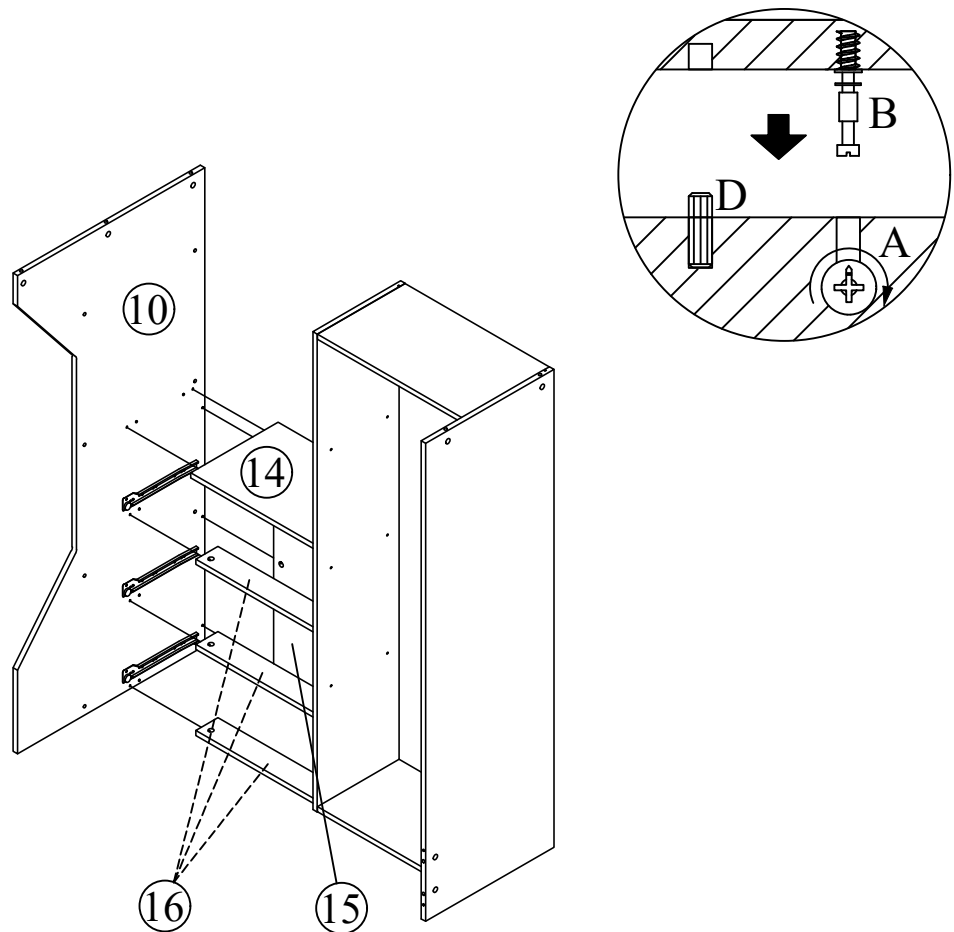
5



6





7

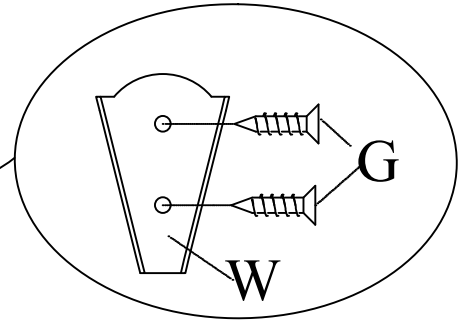
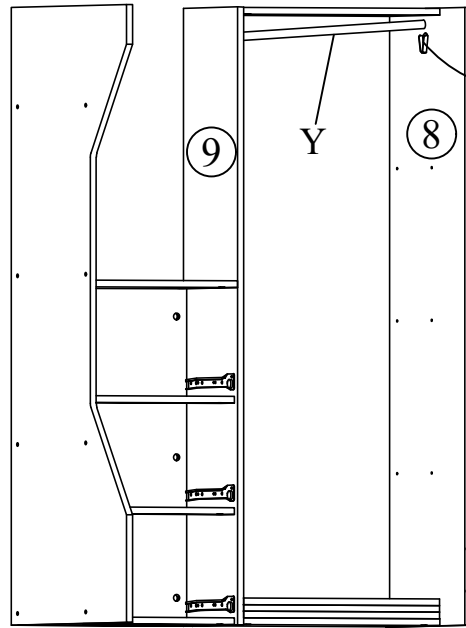




8

G		4
W		2

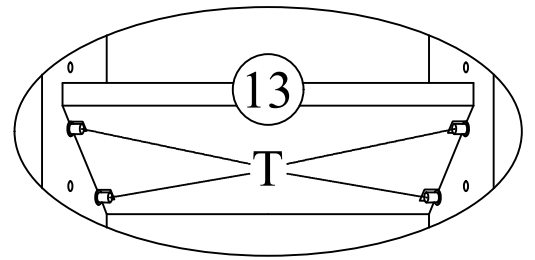
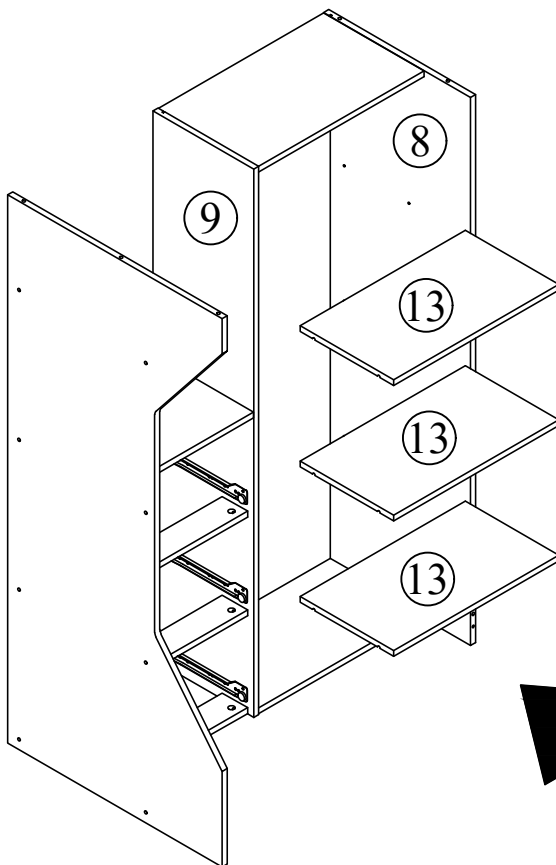
### Option 1




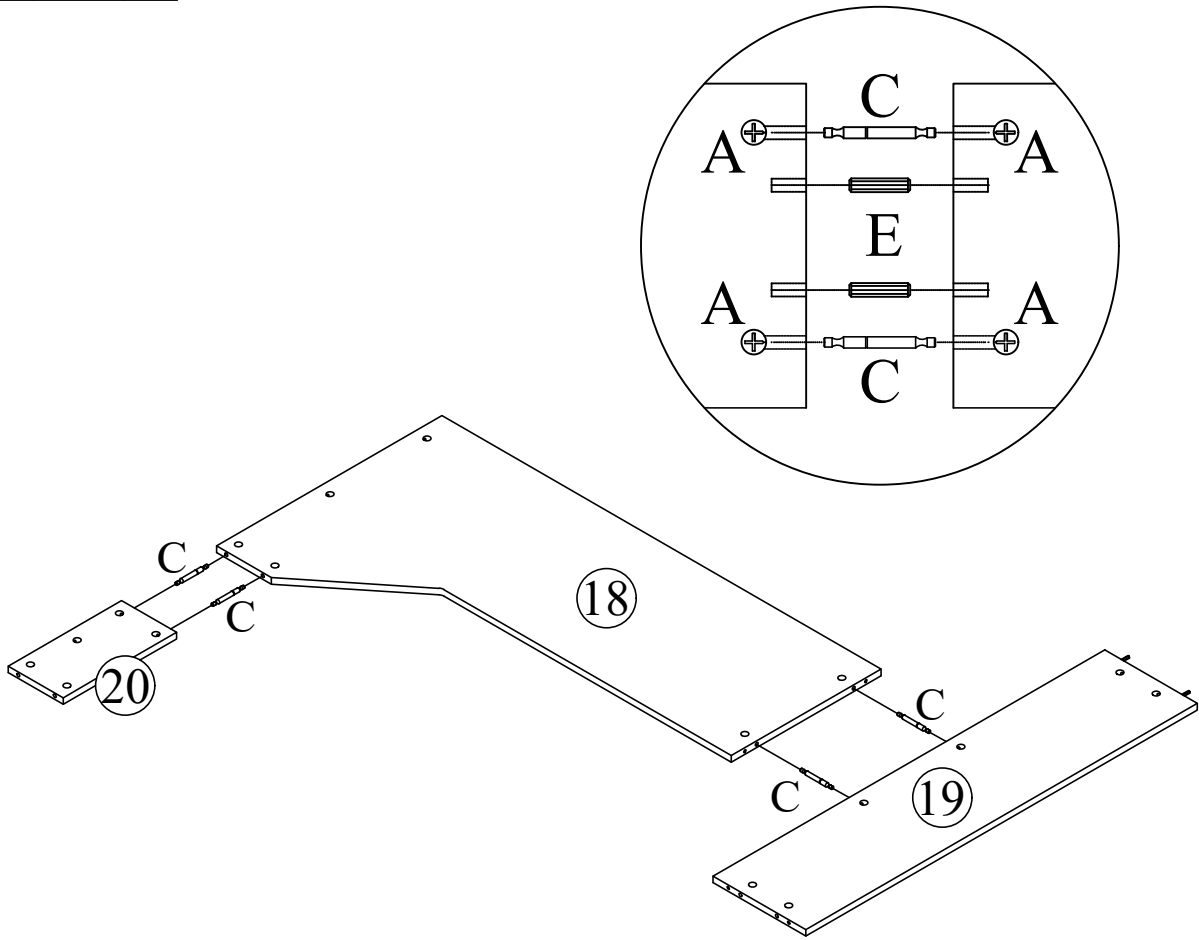
9


T		12
---	---	----

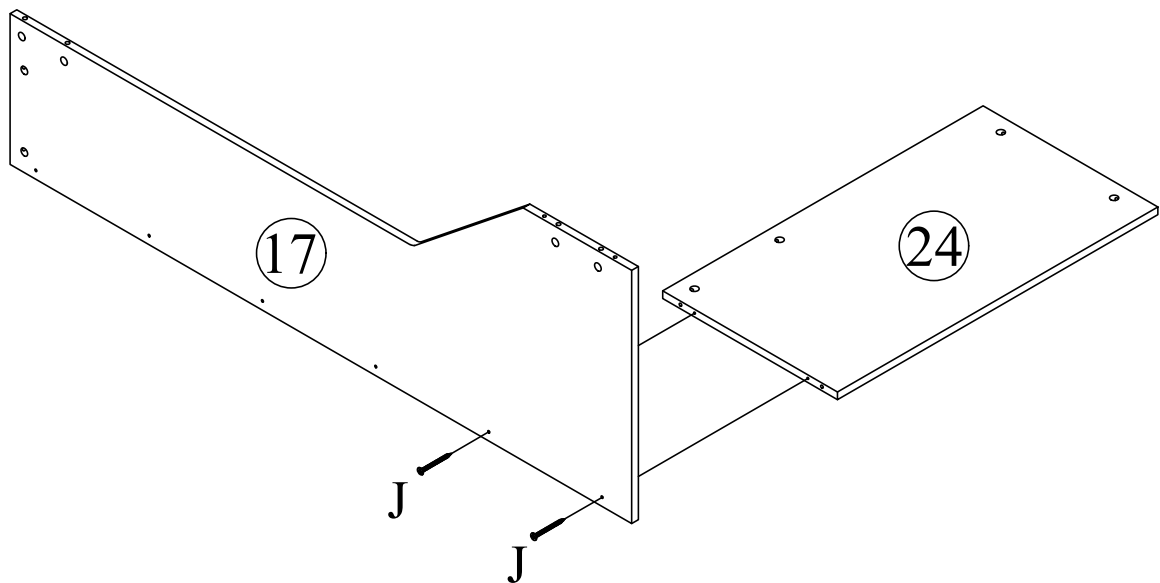
### Option 2




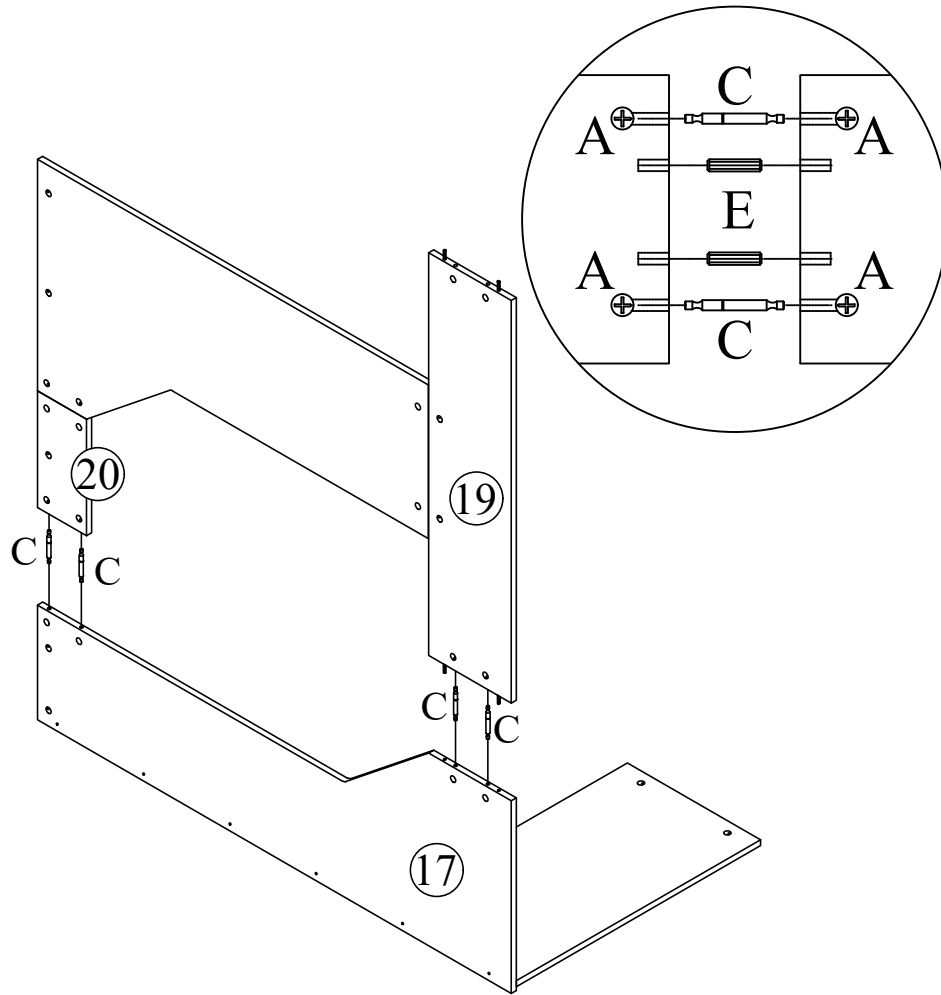
10 C  4



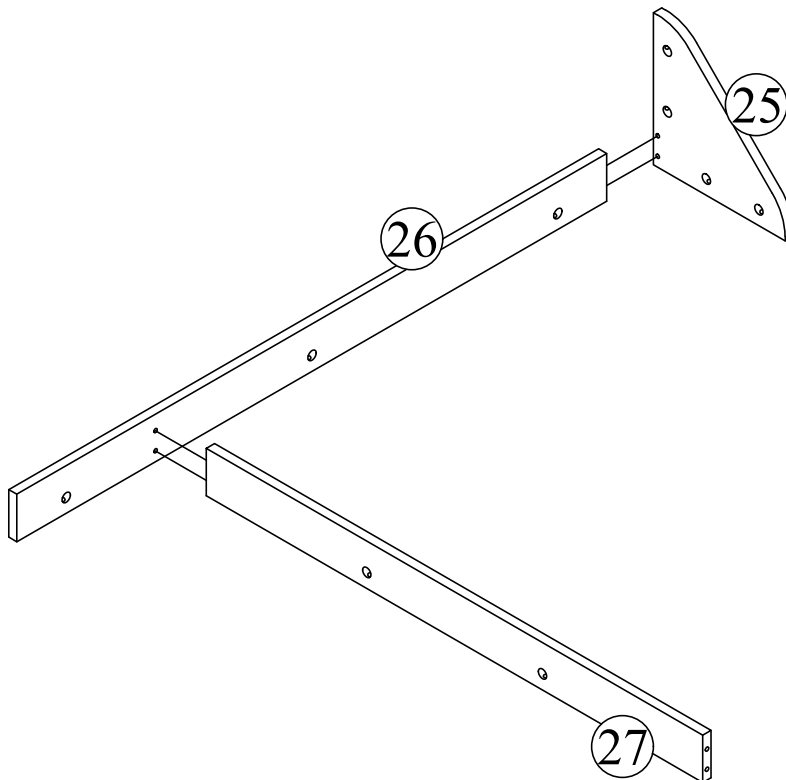
11 J  2




12 C  4

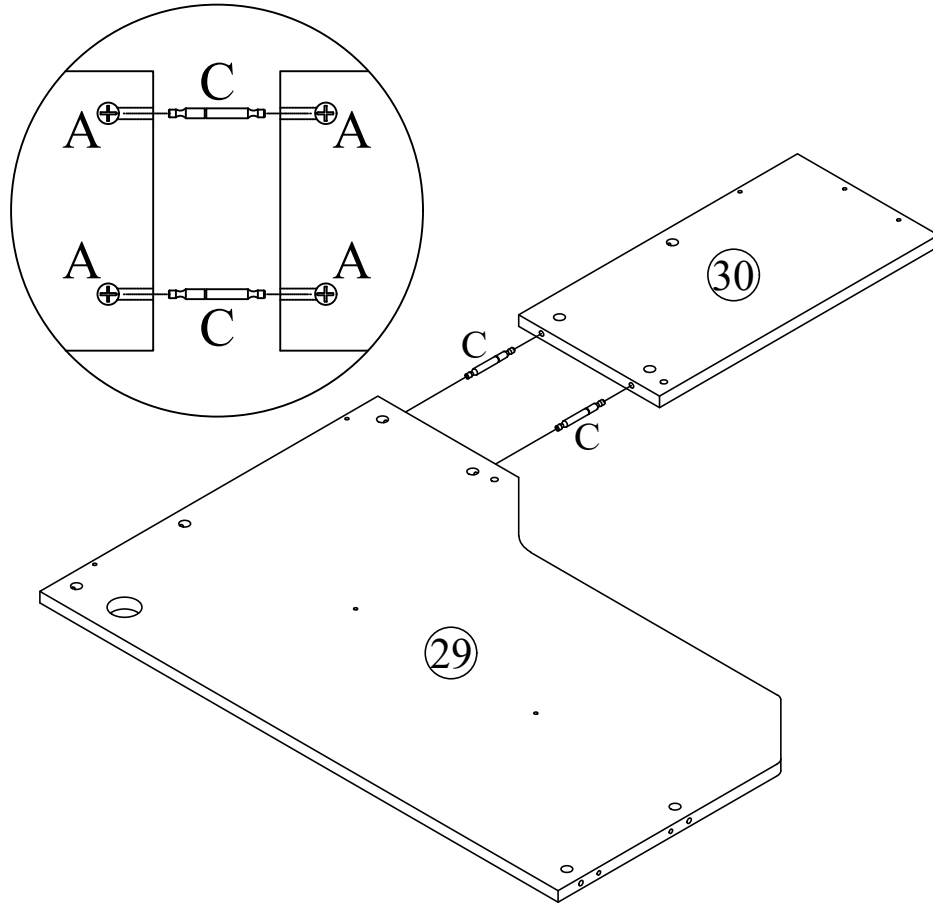


13





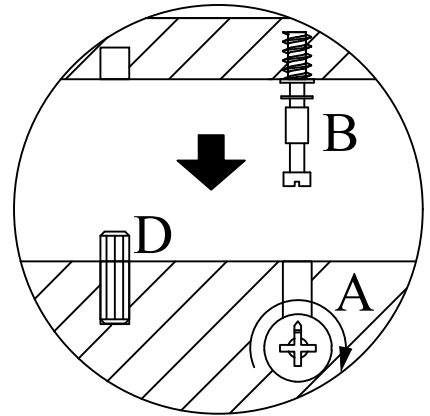
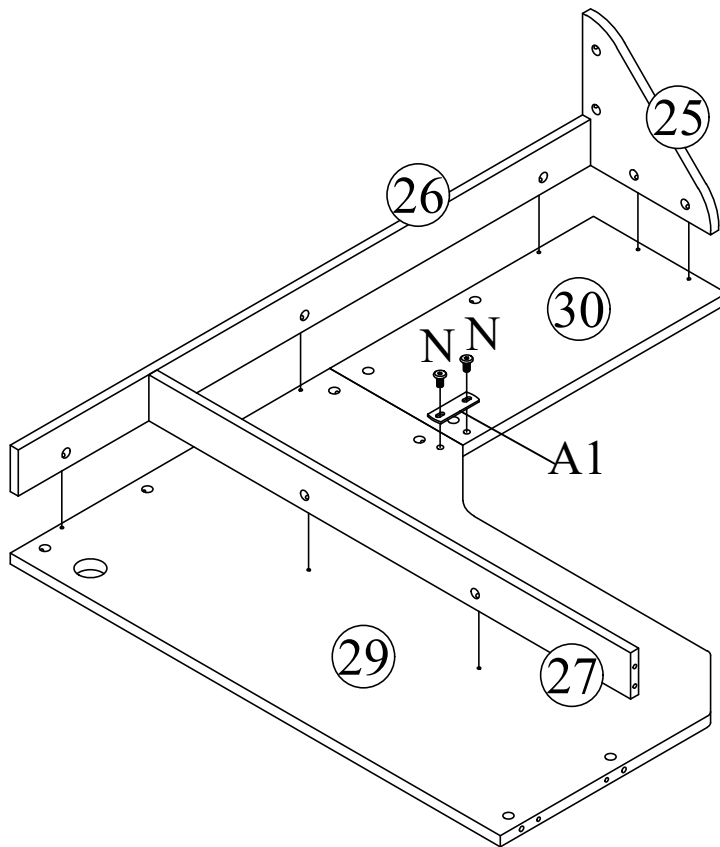
14

C		2
---	--	---





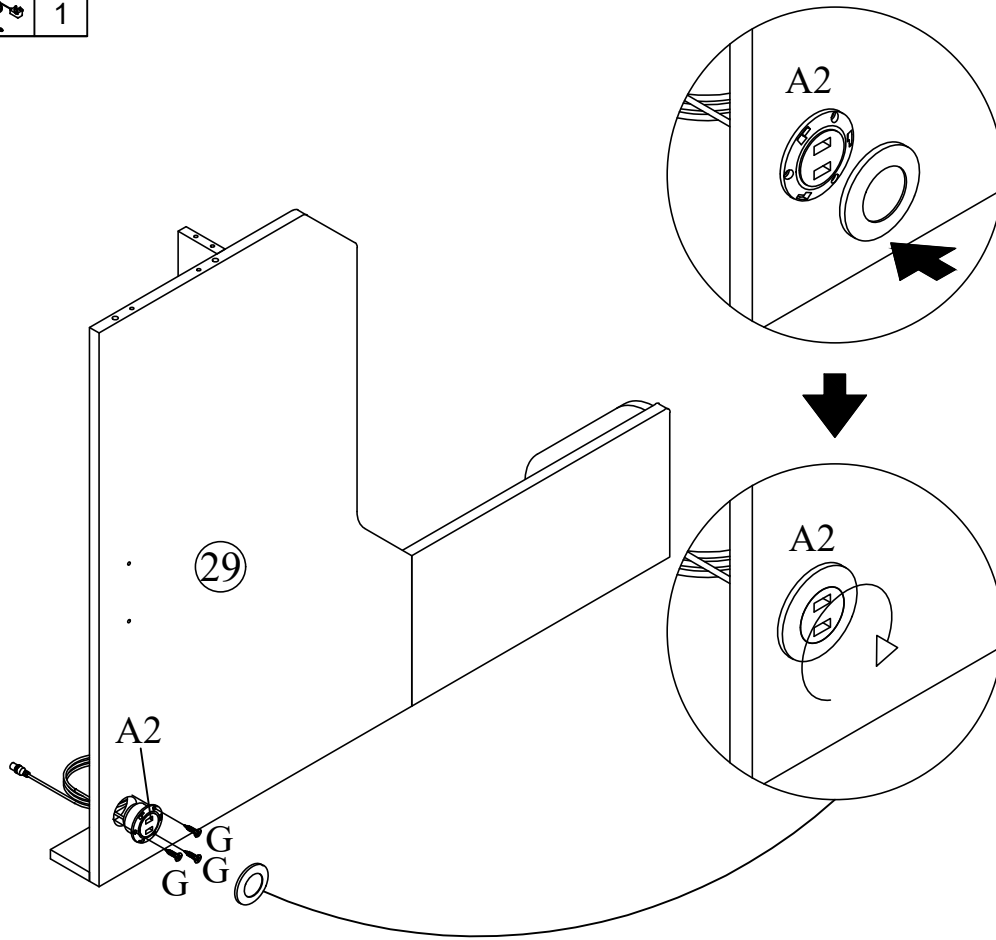
15

N		2
A1		1

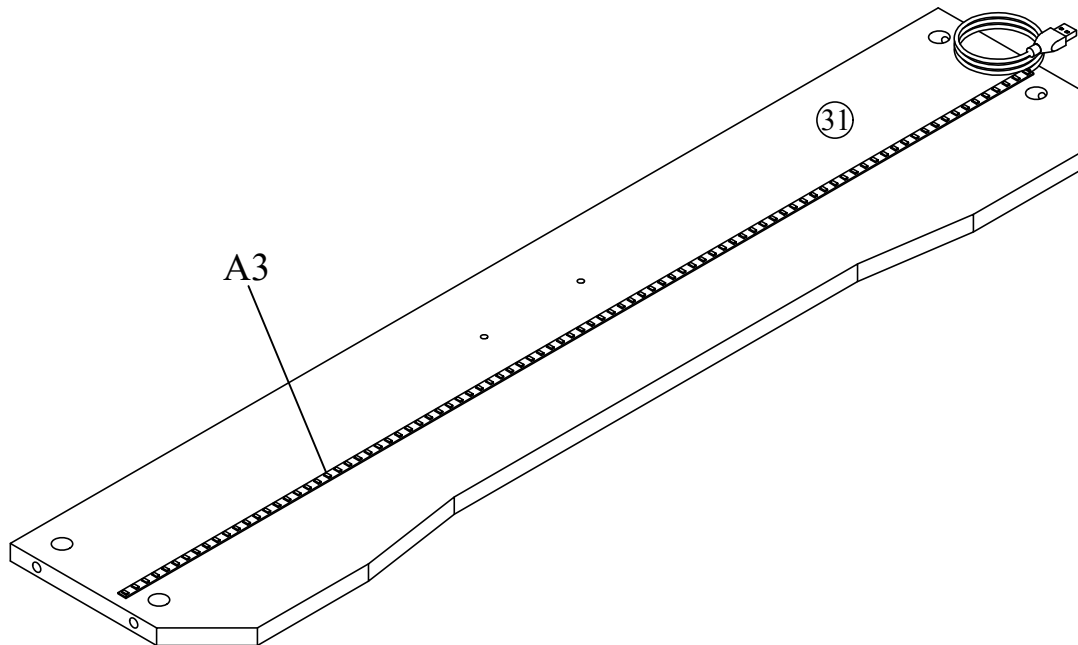


**16**

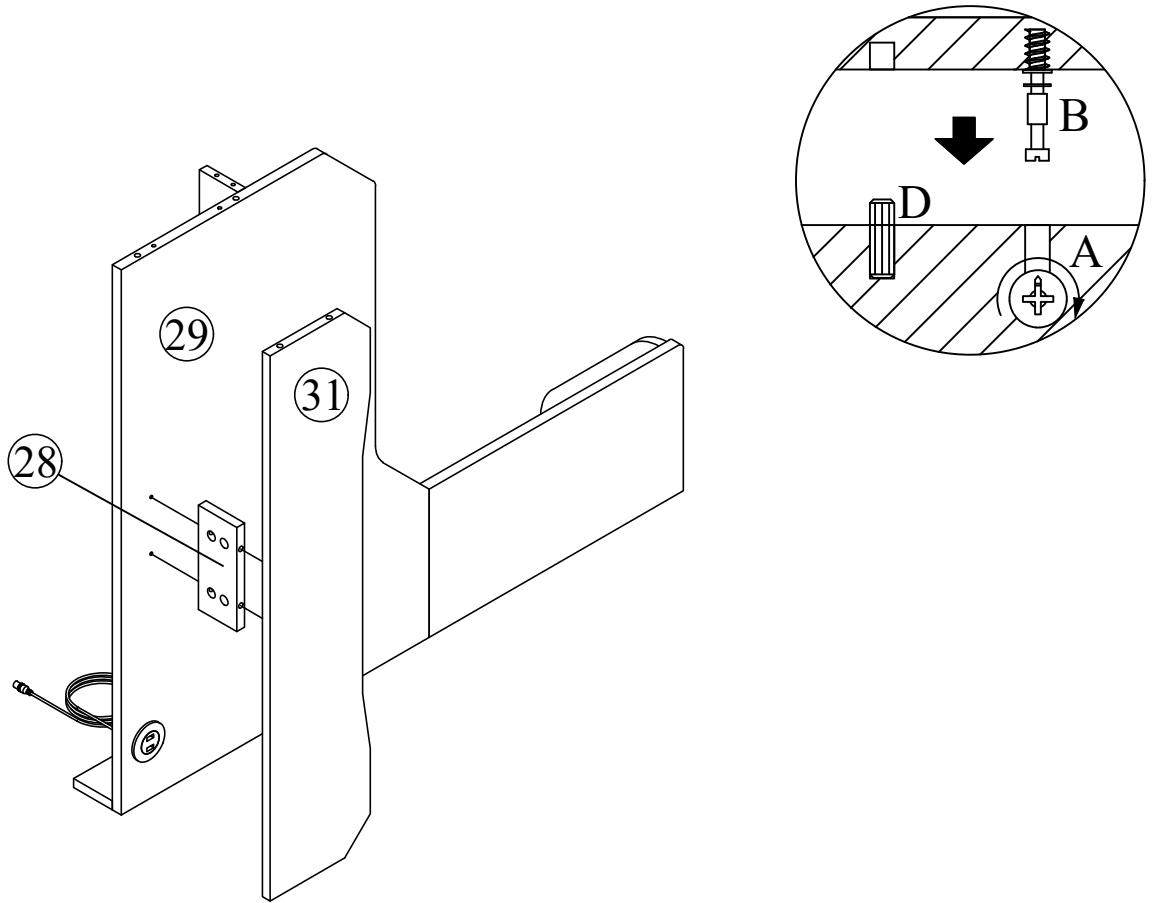
F		3
A2		1

**17**

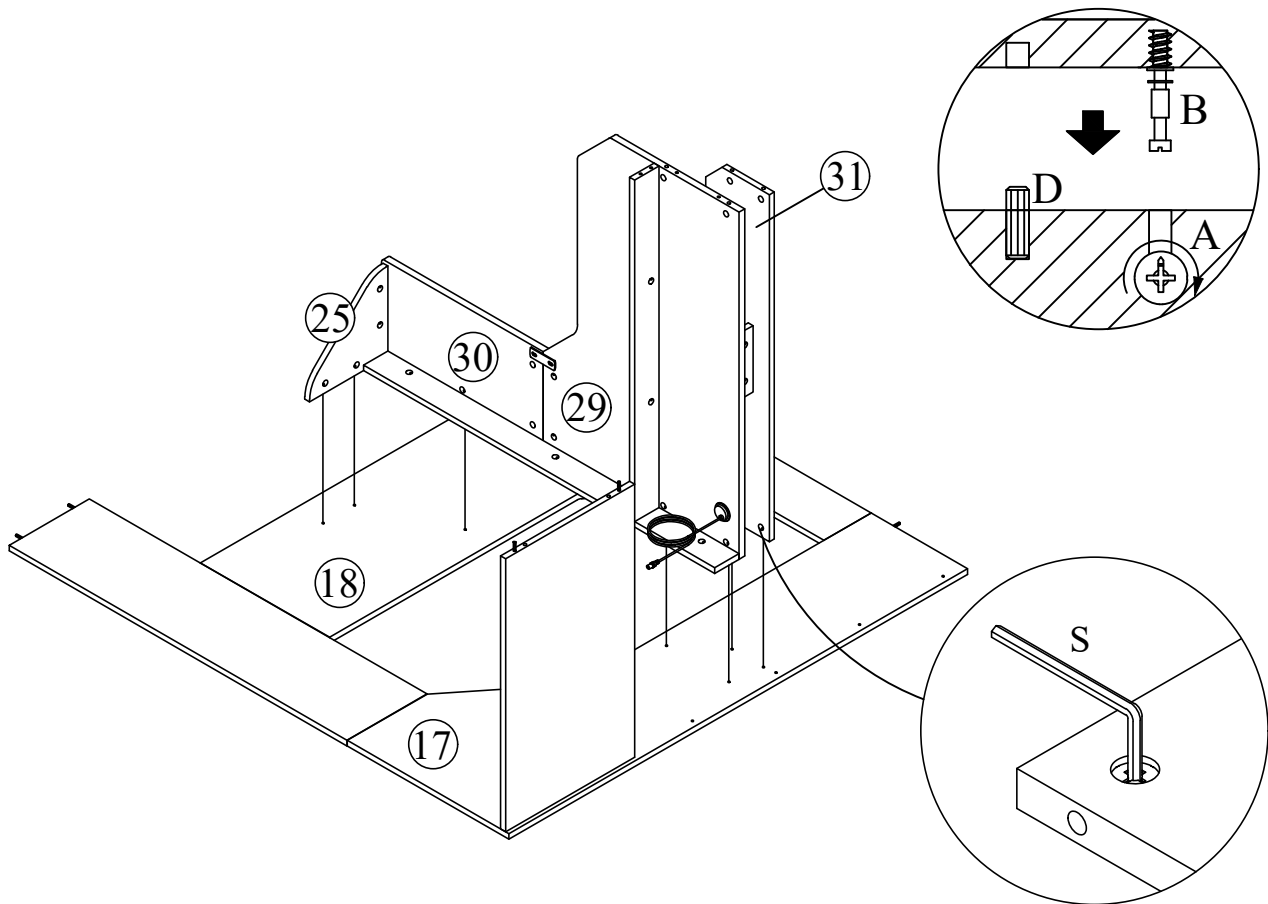
A3		1
----	---	---



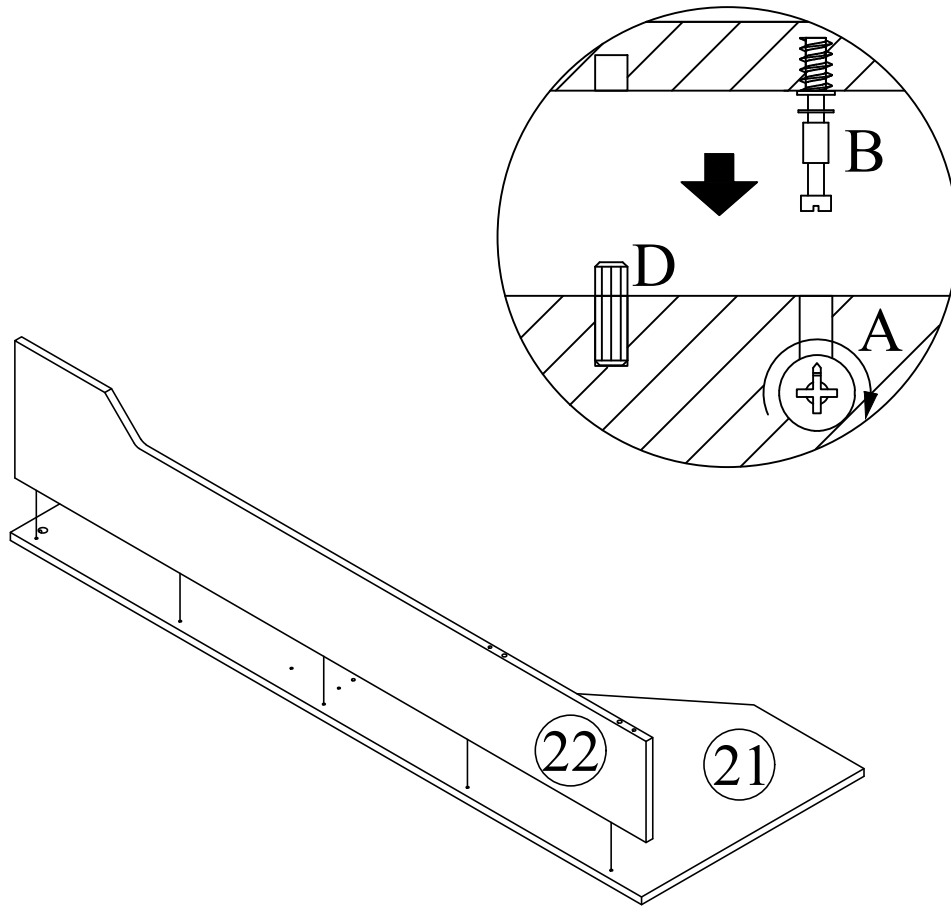
18





19

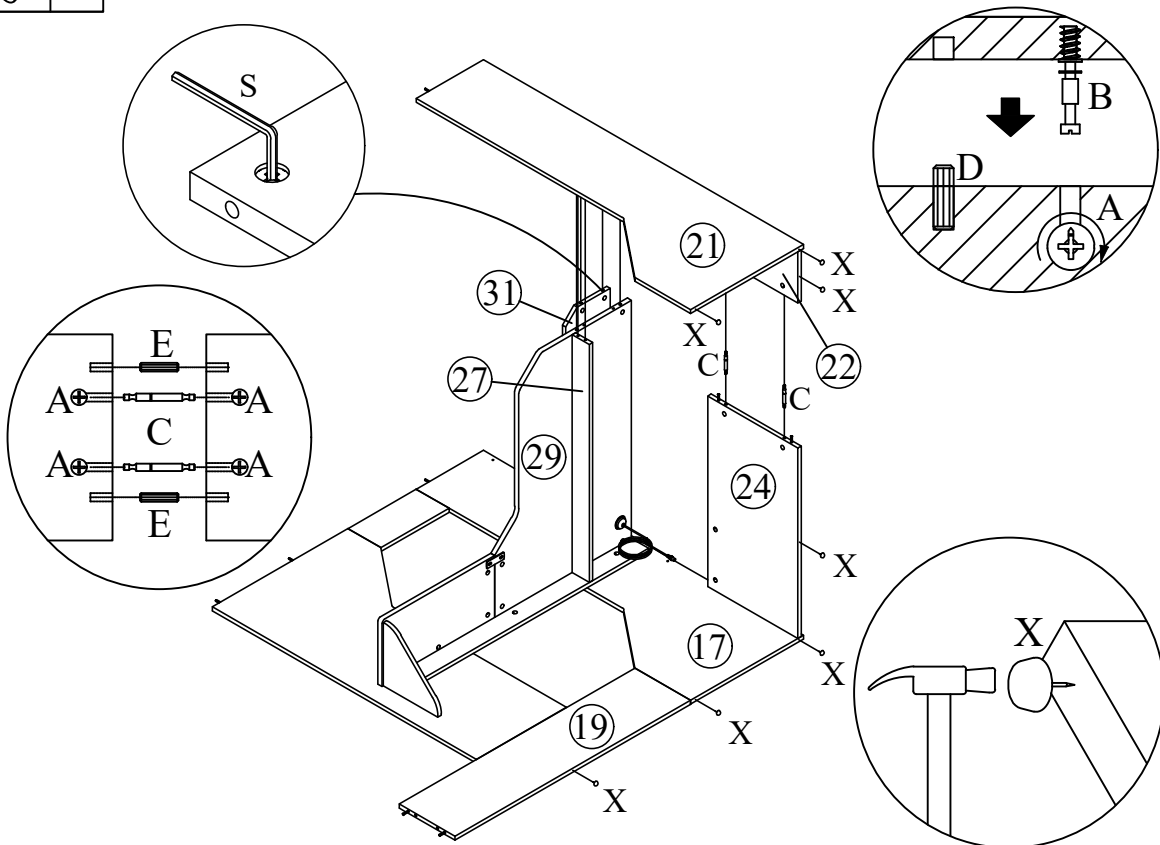


20





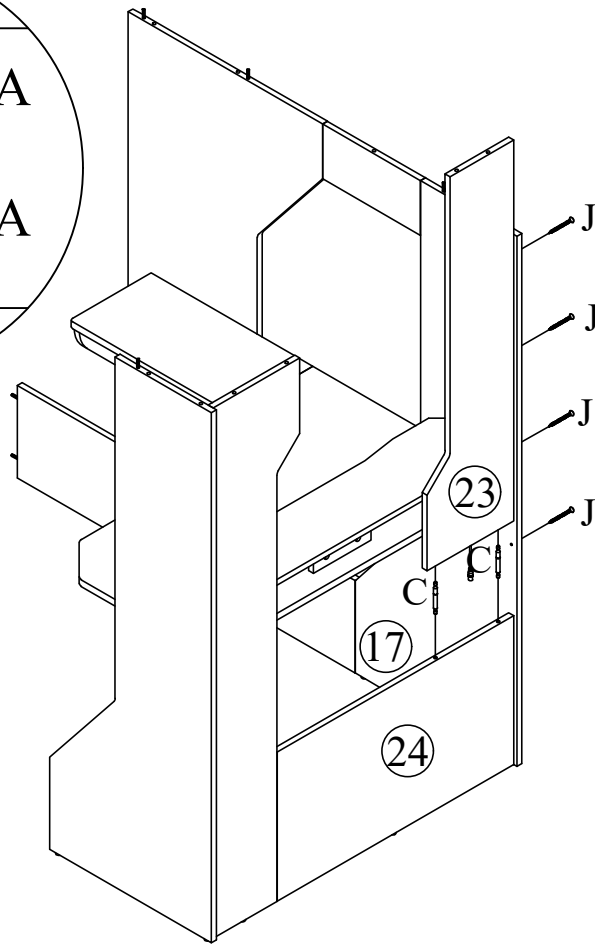
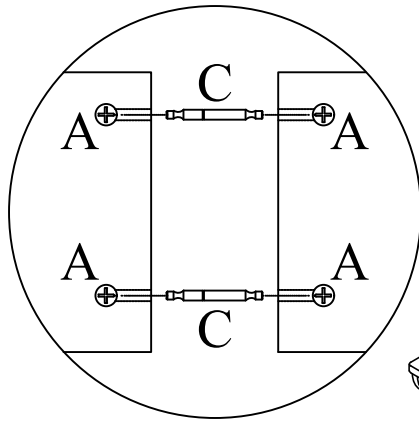
21

C		2
X		7



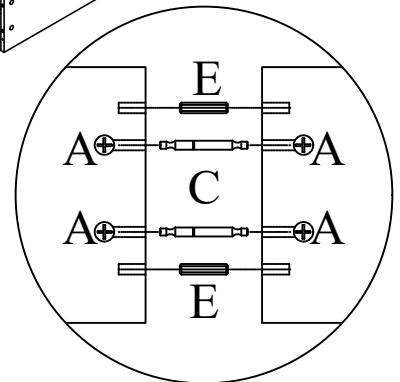
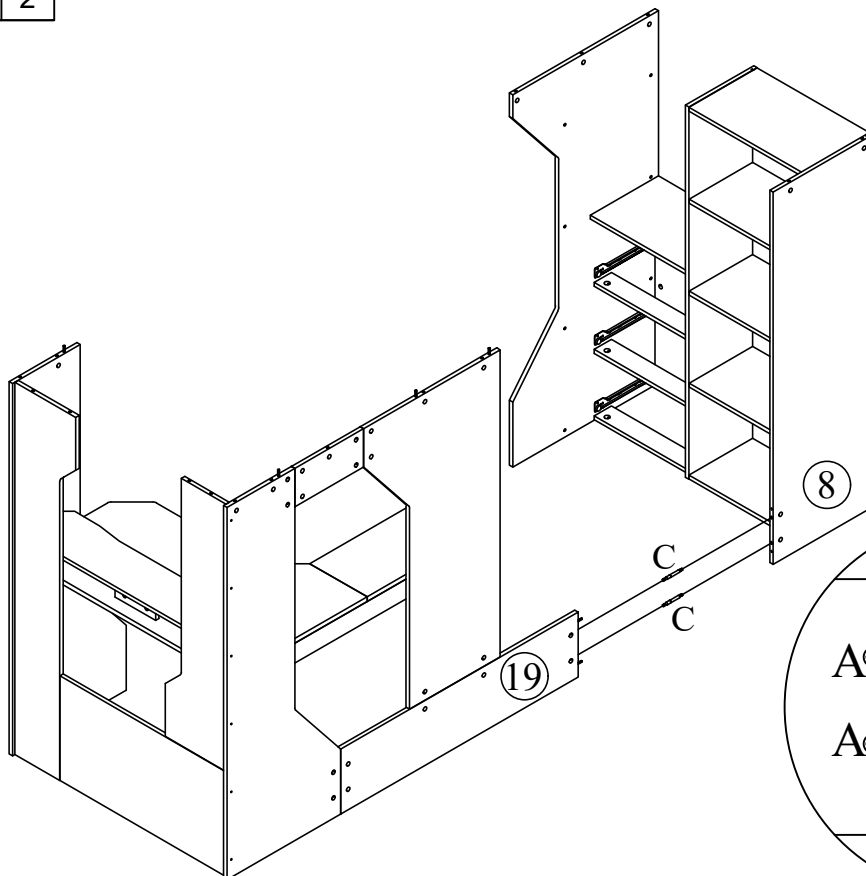
22

C		2
J		4




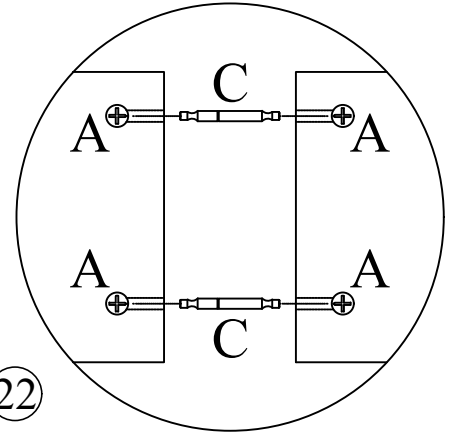
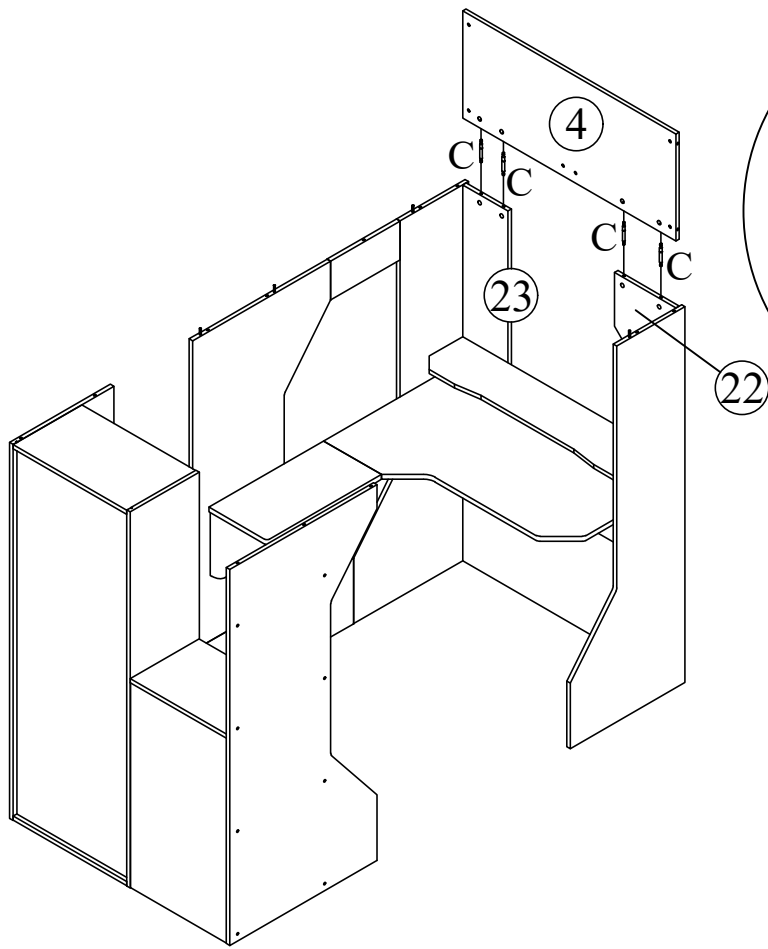
23


C		2
---	---	---

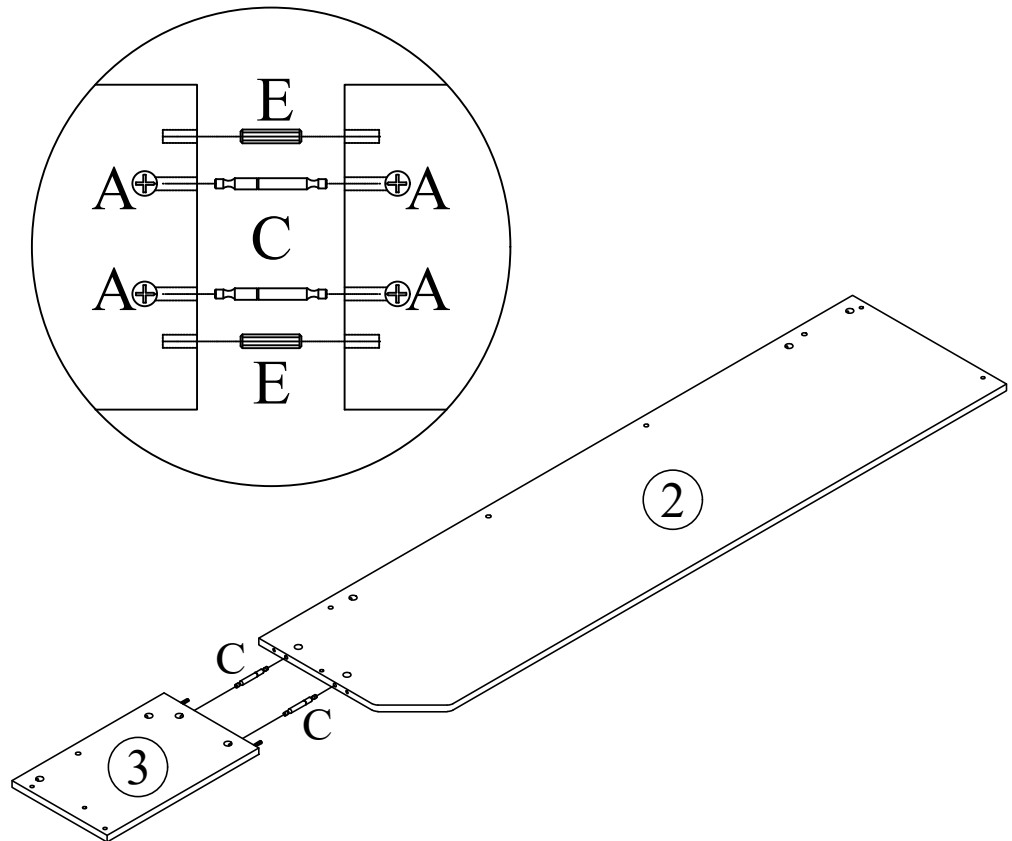


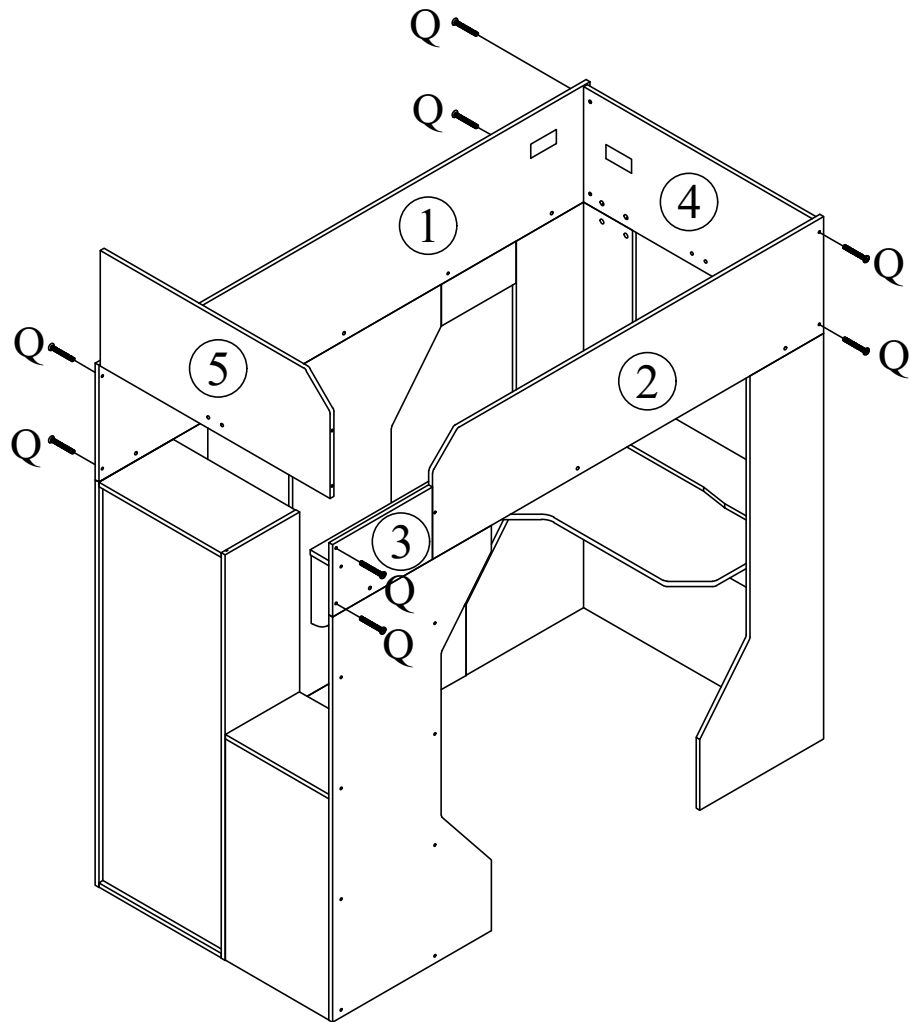
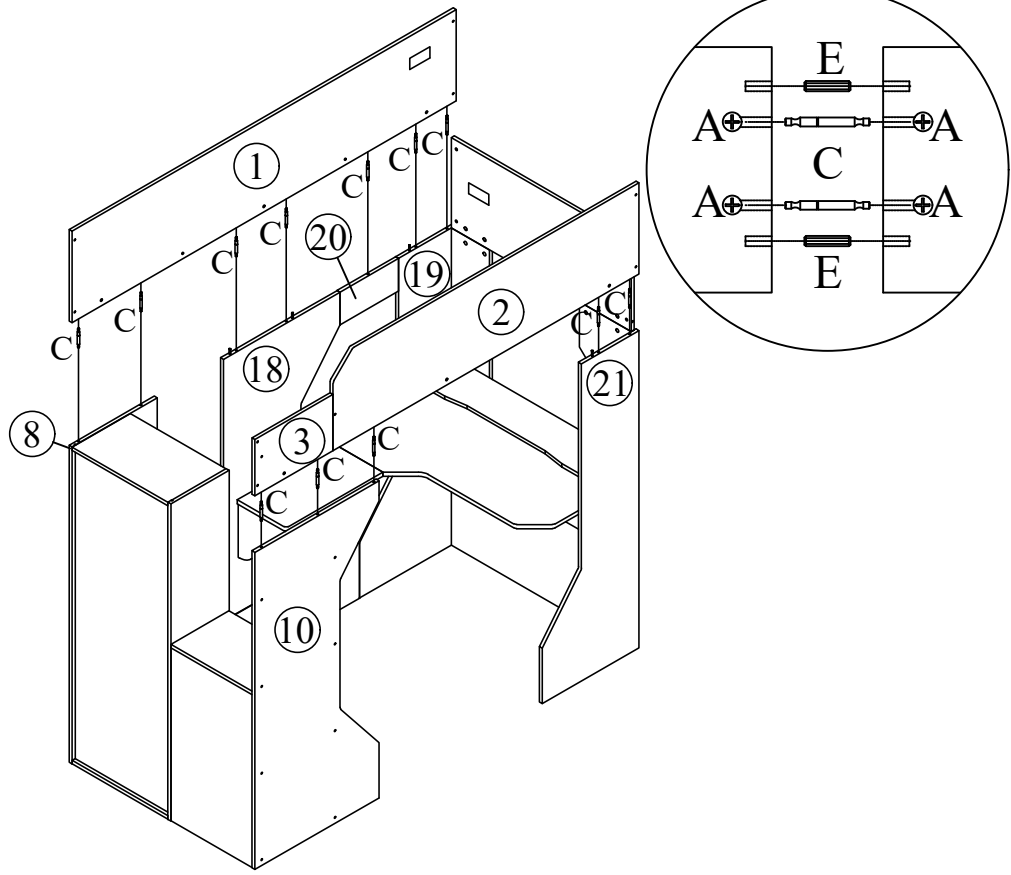


24 C  4






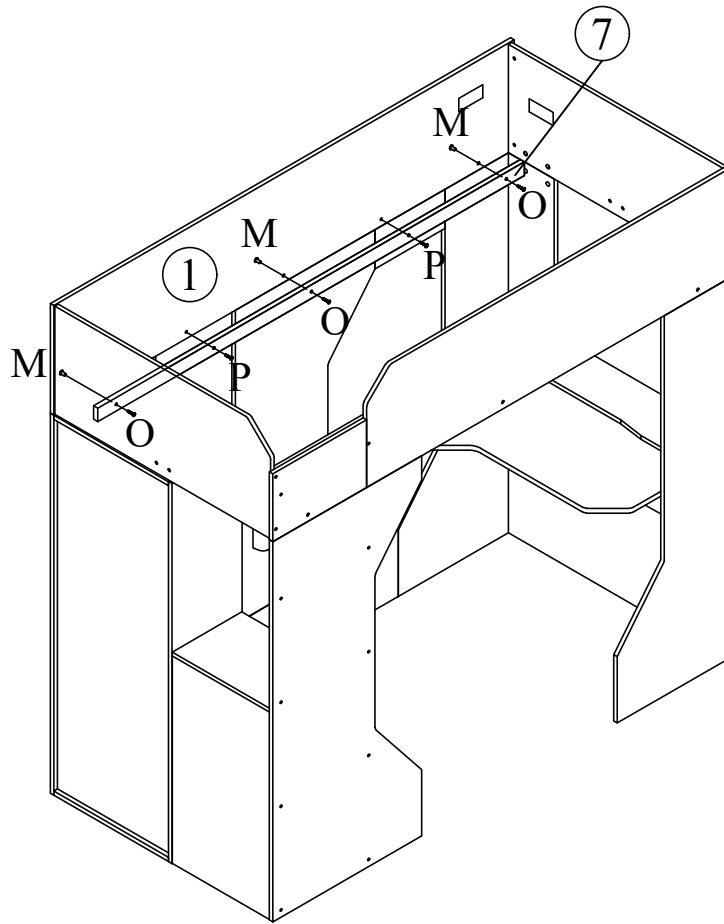
25 C  2









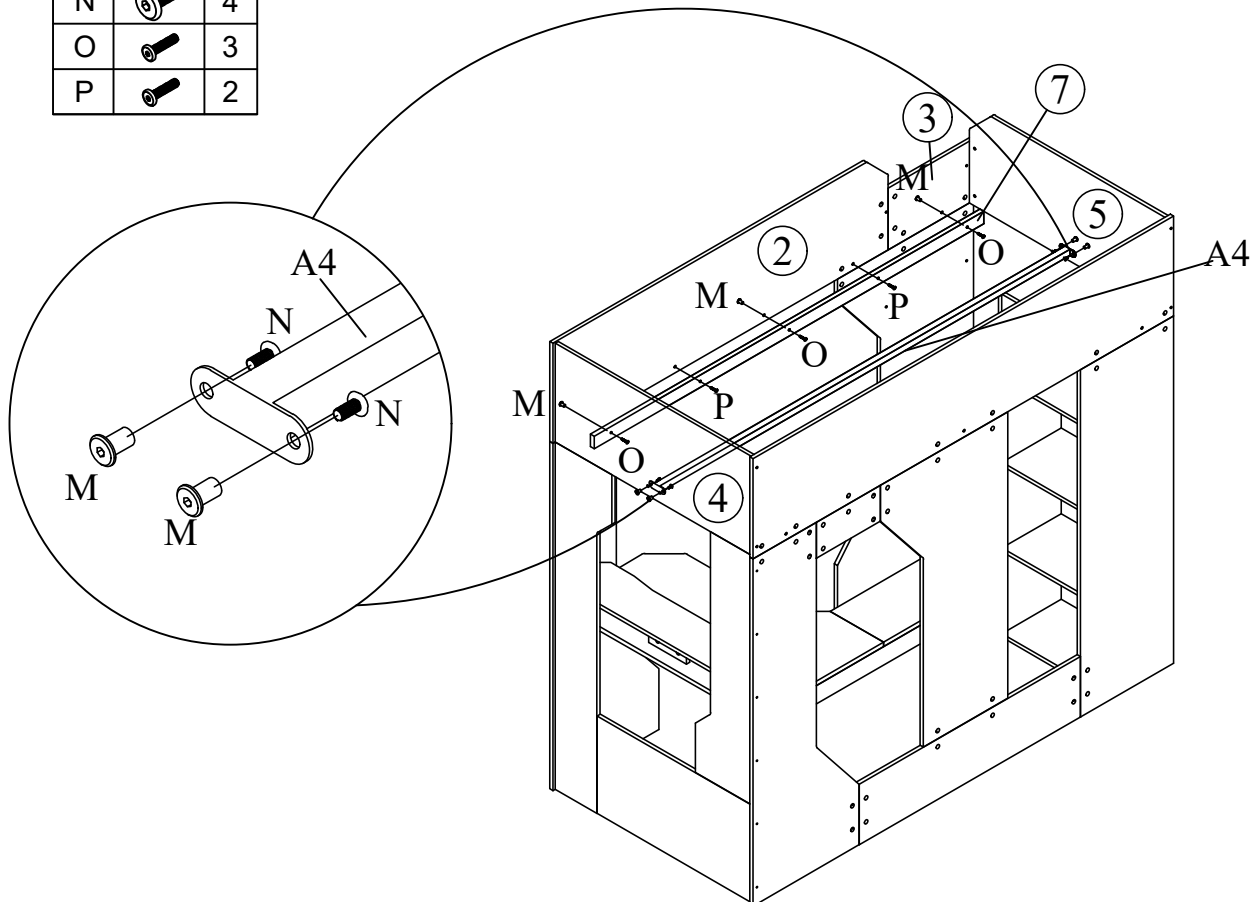
28

M		3
O		3
P		2





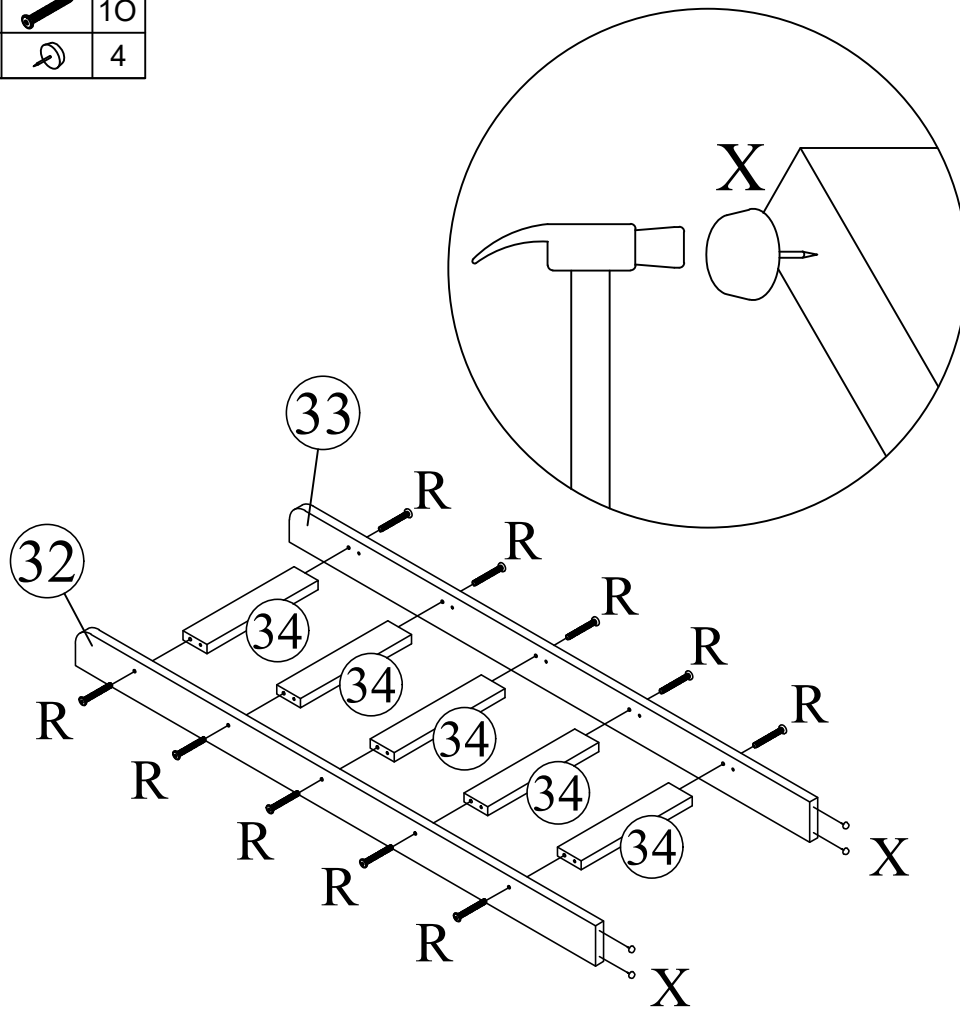
29

M		7
N		4
O		3
P		2



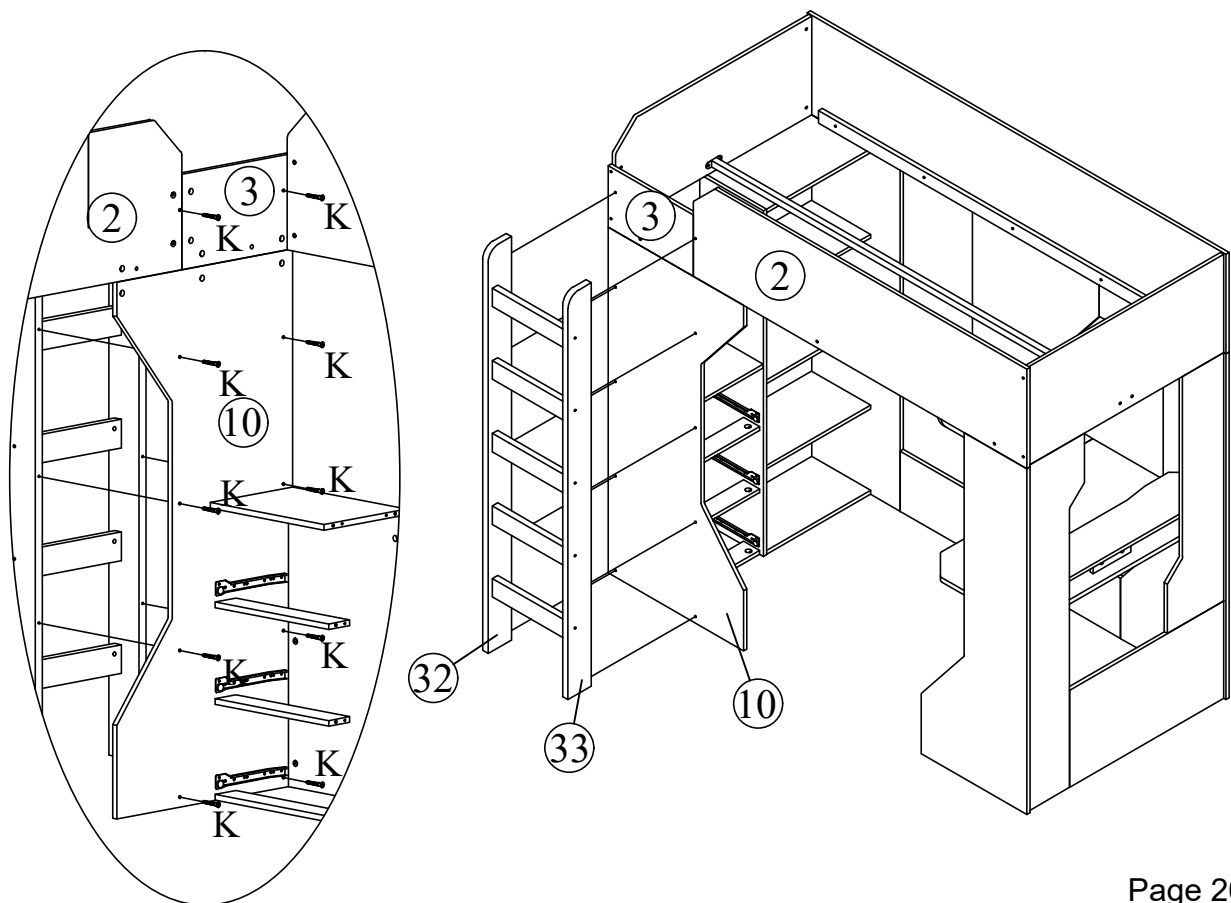
30

R		10
X		4









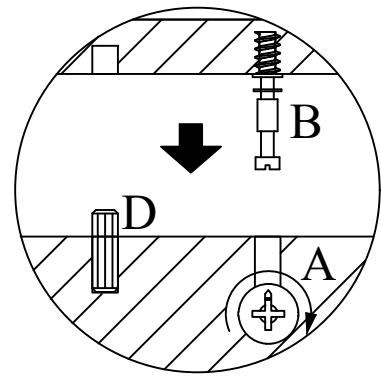
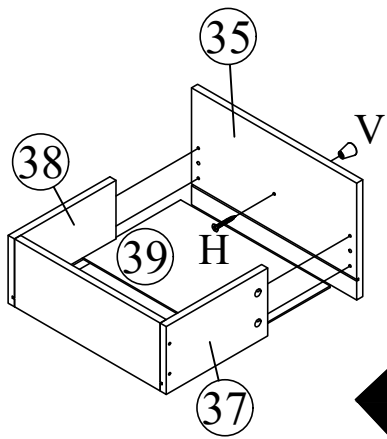
31

K		10
---	---	----

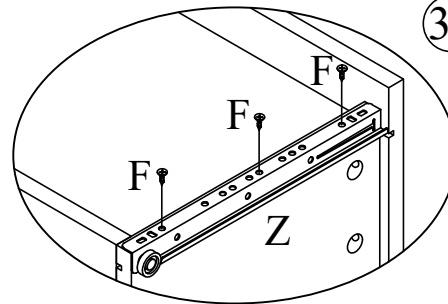
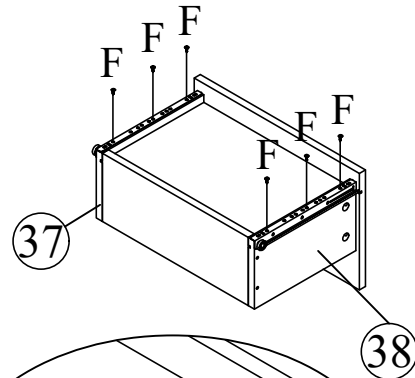
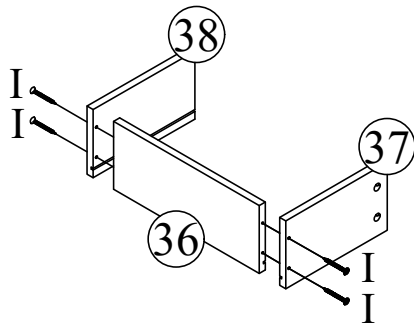
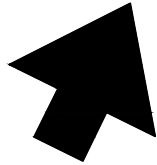
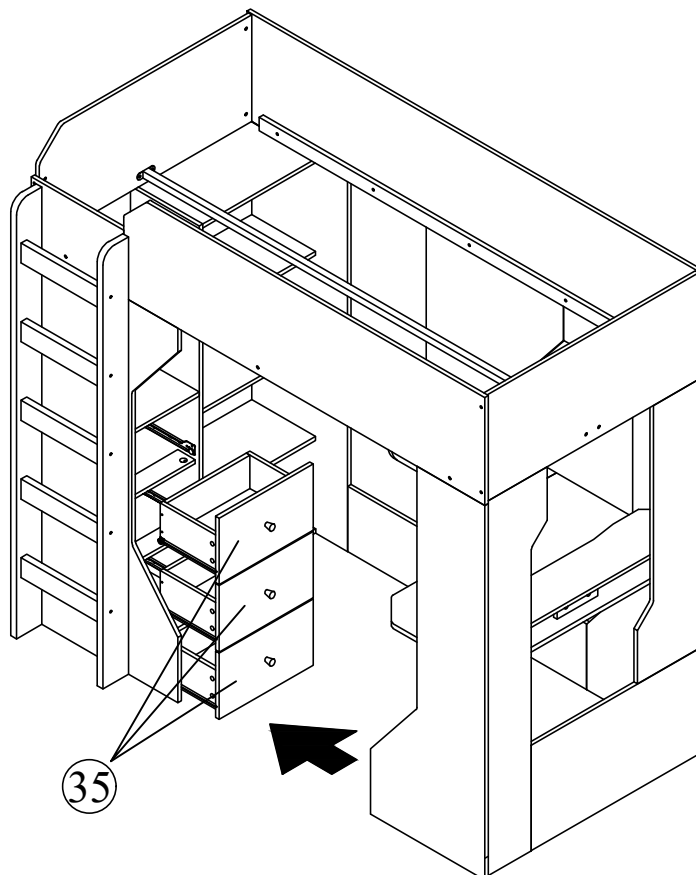


**32**




F		18
H		3
I		12
V		3
Z		3
Z		3

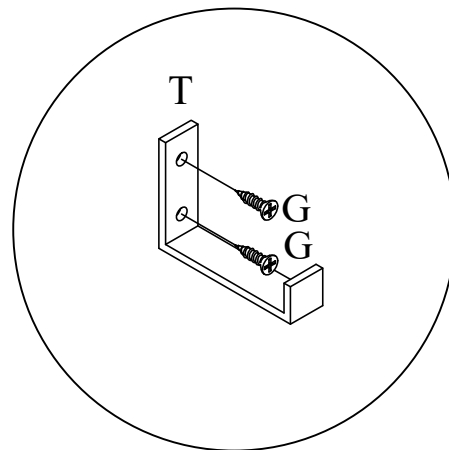
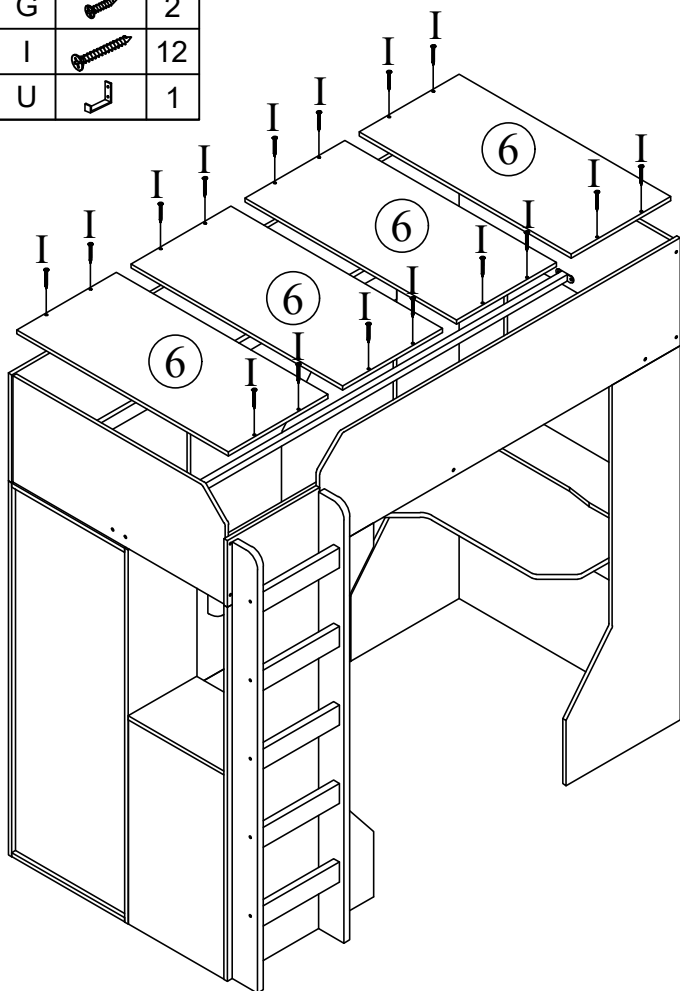


X3 SETS

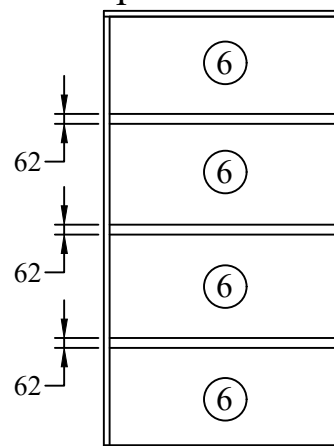
**33**

**34**

G		2
I		12
U		1



You can fix the Headphones Bracket in your favorite position.

**35**