

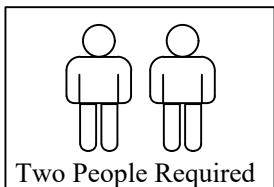
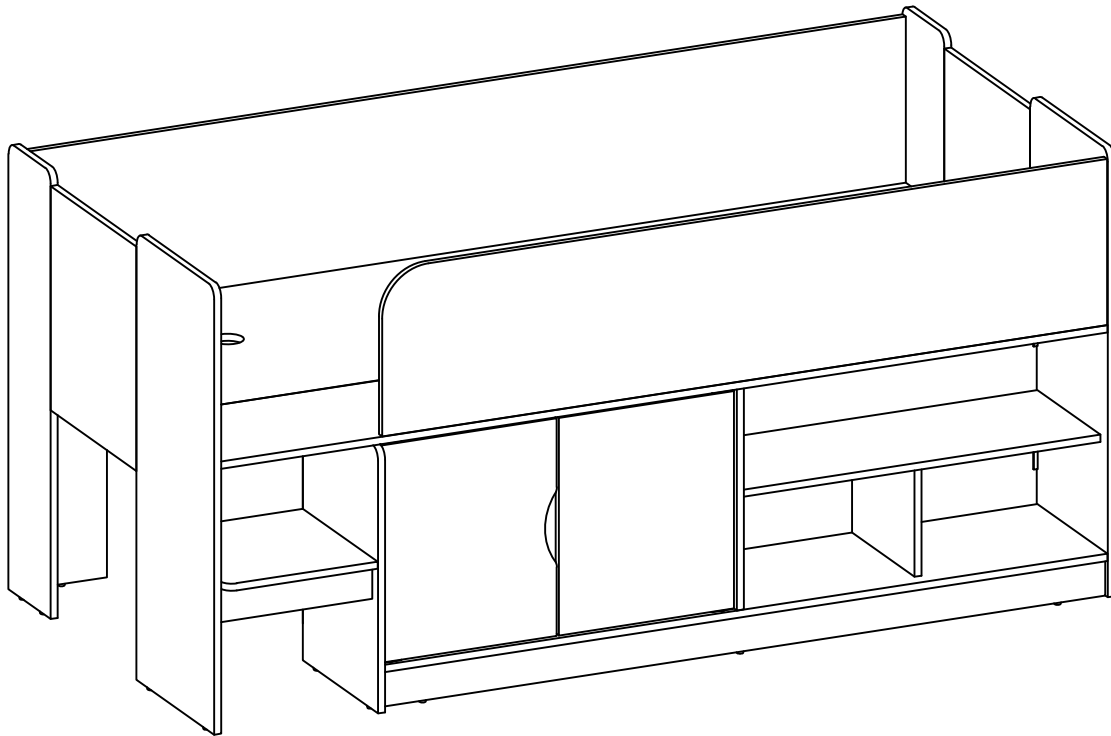
IMPORTANT
KEEP FOR FUTURE REFERENCE & READ CAREFULLY

BMS01 MID SLEEPER 03

Follow us on
facebook



www.facebook.com/kidsaw



INSTRUCTIONS

KIDSAW[®]

MAKES FURNITURE CHILDS' PLAY

Kidsaw Ltd
+44 (0)116 2519551 Email: support@kidsaw.co.uk
www.kidsaw.co.uk

ASSEMBLY INSTRUCTIONS

IMPORTANT: READ THESE INSTRUCTIONS CAREFULLY BEFORE ASSEMBLING THE BED.

**IMPORTANT: - READ CAREFULLY -
RETAIN FOR FUTURE REFERENCE**

HEALTH & SAFETY:

DO NOT jump on this bed frame.

DO NOT use this bed frame if any parts are missing, damage or worn.

DO NOT use this bed frame unless all fixings are secured.

Please keep small parts out of reach of children.

Always use on a level, even surface.

WARNING: If this bed is placed on a non-carpeted floor you must place some protection under all legs to stop the bed frame from moving. If this is not adhered to there is no guarantee if the bed frame collapses.

WARNING: High beds and bunk beds are not suitable for use by children under six years of age due to risk of injury from falls.

WARNING: Please note the area underneath the bed is to be used for storage purpose only.

WARNING: High beds and bunk beds can present a serious risk of injury from strangulation if not used correctly. Never attach or hang anything on any part of the frame that is not designed to be used with the bed, for example, but not limited to ropes, strings, cords, hooks, belts, and bags.

WARNING: Do not use the high bed and bunk beds if any structural part is broken or missing.

WARNING: Children can become trapped between the bed and the wall, a roof pitch, the ceiling, adjoining pieces of furniture (e.g. cupboards) and the like. To avoid risk of serious injury, the distance between the top safety barrier and the adjoining structure shall not exceed 75mm or shall be more than 230mm.

- Always follow the manufacturer's instructions.

- Use ladder for entering and leaving upper bunk.

CARE & MAINTENANCE:

Assemble in the room of use.

Assemble on a soft, clean surface.

Please check regularly that all assembly fastenings are properly tightened.

DO NOT push the bed frame as this will damage the legs.

Always lift the bed with two people to reposition.

Use a soft, dry cloth to clean - do not use any detergents or chemicals.

Avoid contact with water and direct sunlight. Ventilation is necessary. **Do not place bed near heat sources, window to keep the humidity low and prevent mould in and around the bed.**

INFORMATION

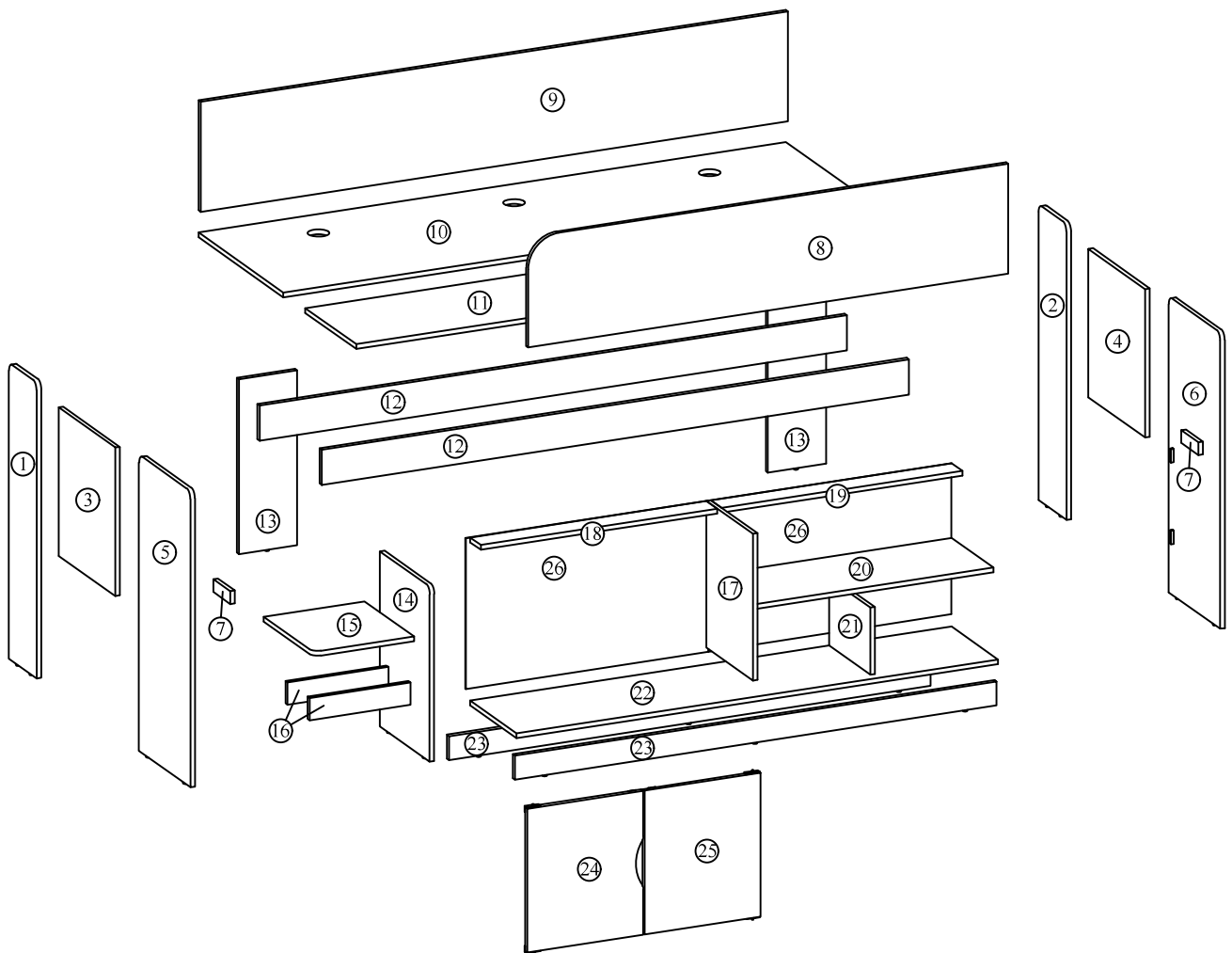
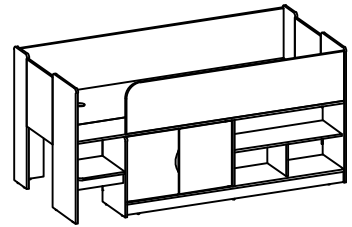
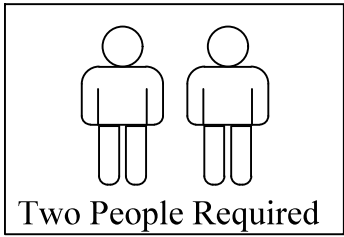
- Maximum thickness of mattress 18cm. Please refer to marking headboard.

- Recommend size of mattress L190cm x W90cm x H18cm

- When you are ready to start, make sure that you have the right tools, plenty of space on a clean, dry area for assembly.

- Check the pack and make sure you have all the parts listed.

- Ensure that this product is fully assembled and secured as illustrated before use.



PARTS LIST

Carton 1 of 3:

Part	Description	Qty
1	Side Panel (Left) (Back)	1
2	Side Panel (Right) (Back)	1
3	Side Panel (Left) (Center)	1
4	Side Panel (Right) (Center)	1
5	Side Panel (Left) (Front)	1
6	Side Panel (Right) (Front)	1
7	Support Panel	2
13	Back Support Panel	2
15	Ladder Step Panel	1
16	Ladder Step Support Panel	2
24	Door (Left)	1
25	Door (Right)	1
26	Cabinet Back Panel	2
Hardware		





















Carton 2 of 3:

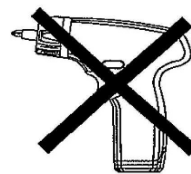
Part	Description	Qty
10	Base Panel (Back)	1
11	Base Panel (Front)	1
12	Base Support Panel	2
18	Cabinet Support Panel (Left)	1
19	Cabinet Support Panel (Right)	1

Carton 3 of 3:

Part	Description	Qty
8	Front Guardrail	1
9	Back Guardrail	1
14	Ladder Right Step	1
17	Cabinet Center Panel	1
20	Cabinet Shelf Panel	1
21	Cabinet Divider Panel	1
22	Cabinet Bottom Panel	1
23	Cabinet Plinth Panel	2

HARDWARE LIST: Carton 1 of 3

Part	Description	Qty
A	WOOD DOWEL M6 x 25mm 	26
B	CAM NUT 15mm 	16
C	CAM BOLT 	8
D	PVC NAIL 5/8" 	18
E	STEEL NUT M6 	14
F	JCBC SCREW M6 x 50mm 	6
G	NAIL 	26
H	MDF SUPPORT 	2
I	CONTRACTFIX DOWEL 5971 	8
J	WOOD DOWEL M8 x 50mm 	8
K	PVC L-BRACKET 	6
L	CSK SCREW M3.5 x 12 mm 	24
M	METAL L-BRACKET 	2
N	CSK SCREW M3.5 x 16 mm 	14
O	M5 x 40mm UNITAR SCREW 	57
P	MAGNET 	2
Q	PLATE 	2
R	DOOR HOLDER AC 75 (L) 	4
S	CSK SCREW M4 x 25 mm 	8
T	M6 ALLEN KEY 	1



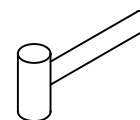
**** WARNING: THE USE OF POWER TOOLS TO ASSEMBLE THIS PRODUCT WILL INVALIDATE ANY CLAIM AND MAY DAMAGE THIS PRODUCT MAKING IT UNSAFE.**

**** You will need a screwdriver and a small mallet (NOT provided)**

Tools You Need:









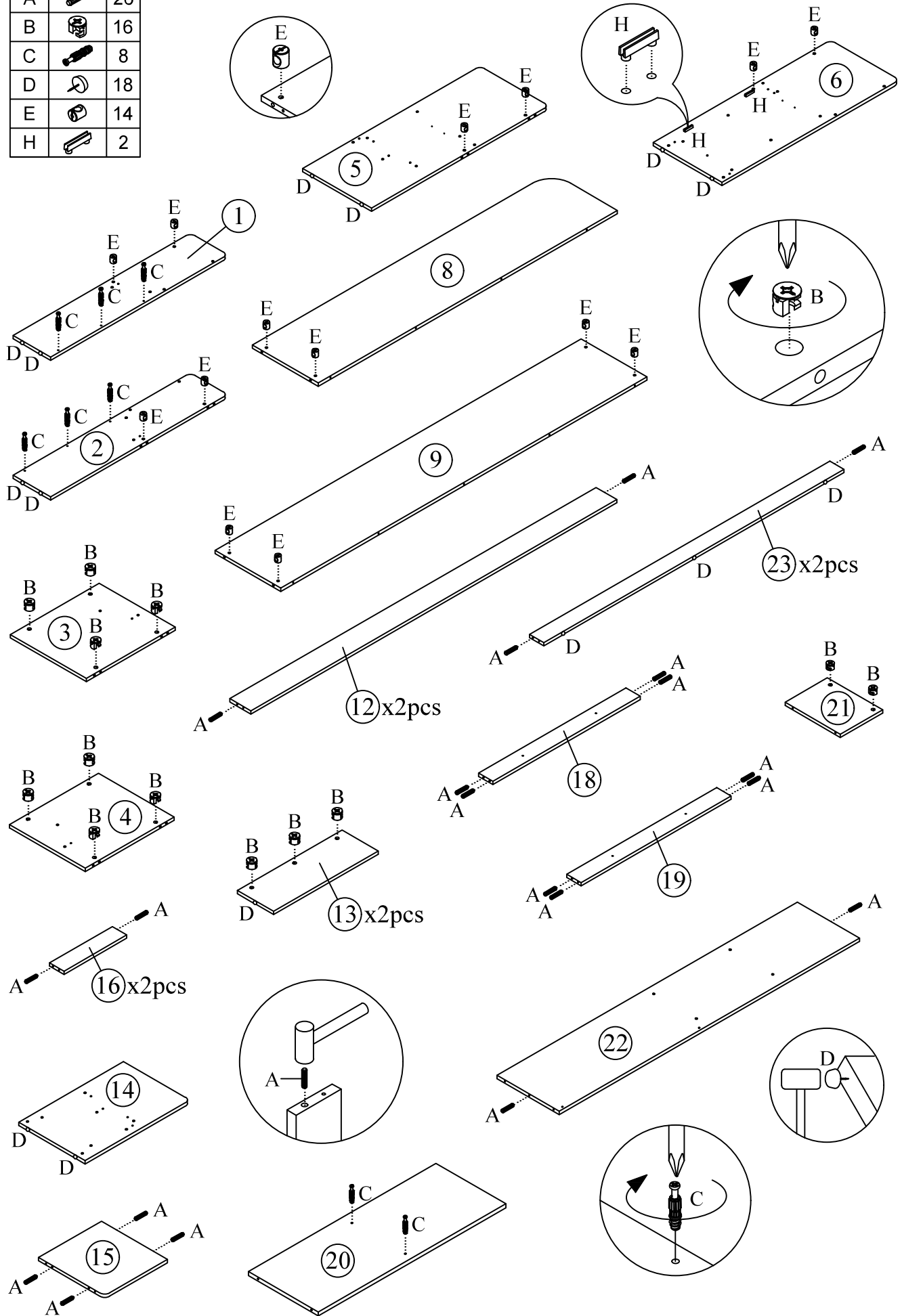
Philips Head Screwdriver



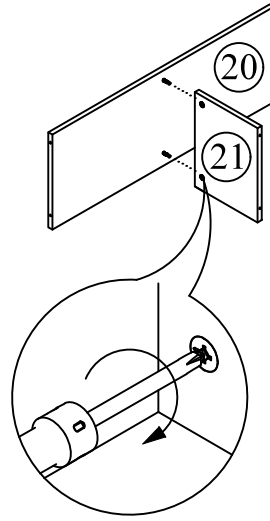
Soft Head Mallet

1


A		26
B		16
C		8
D		18
E		14
H		2

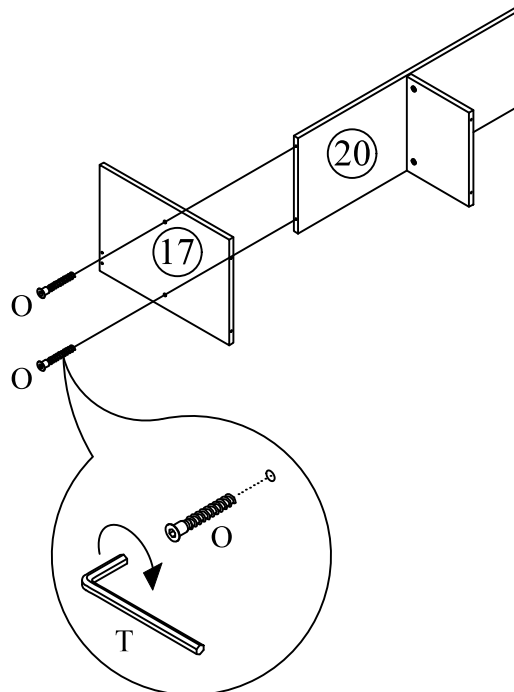


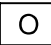

2

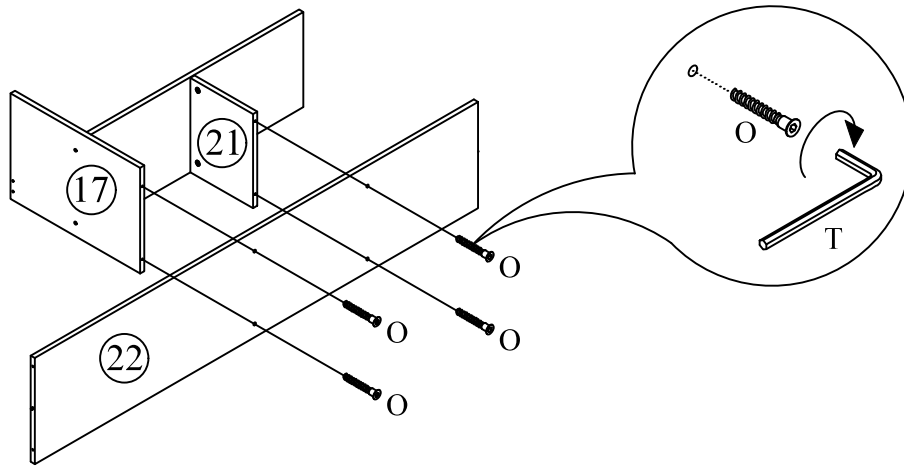


3

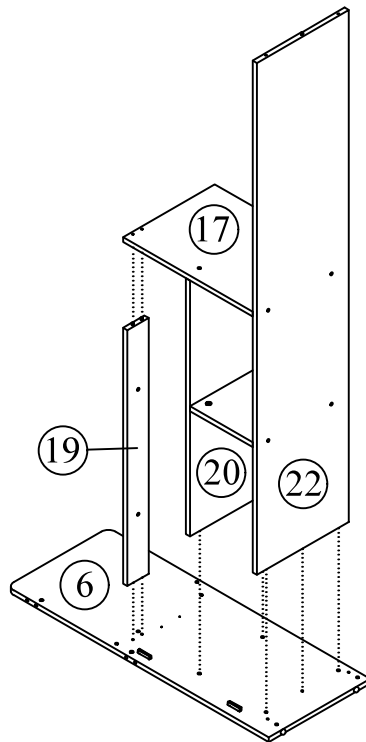
O		2
---	---	---



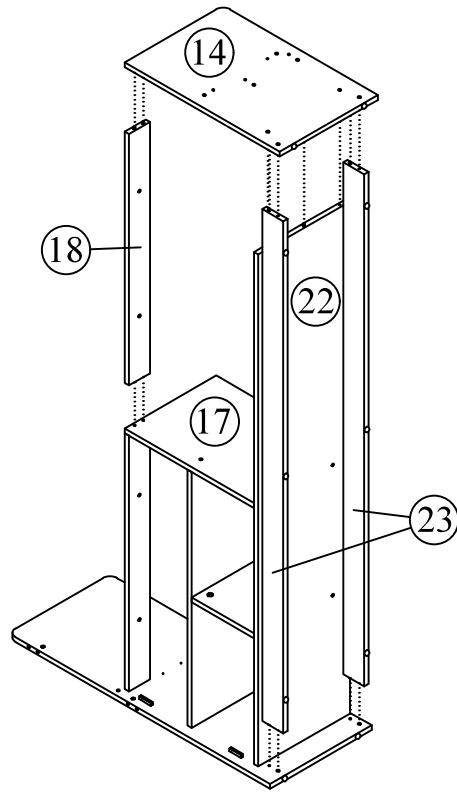
4   4



5

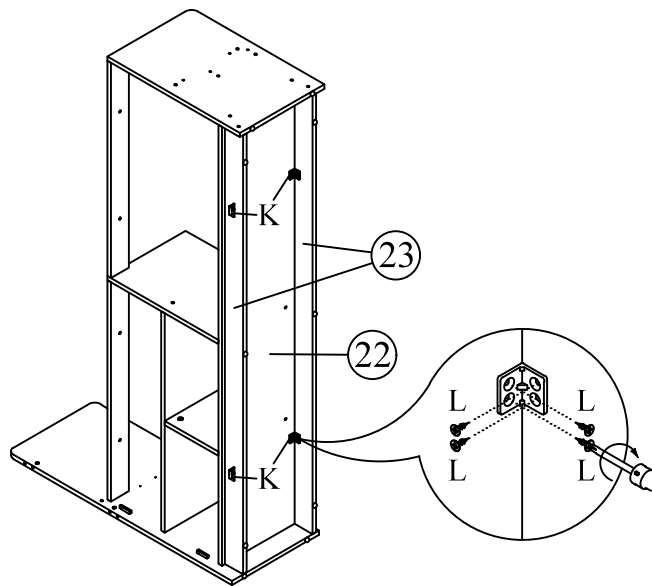


6

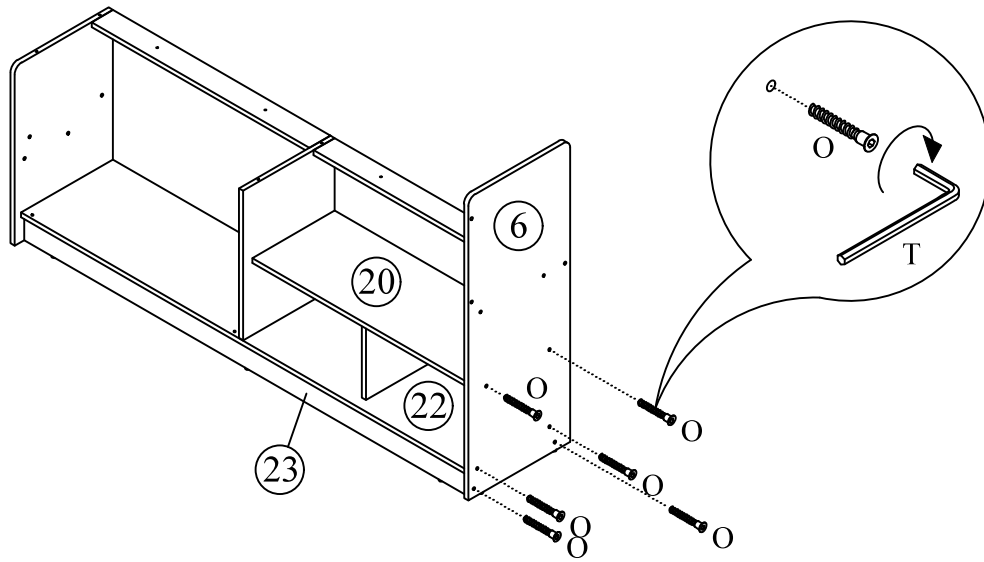


7

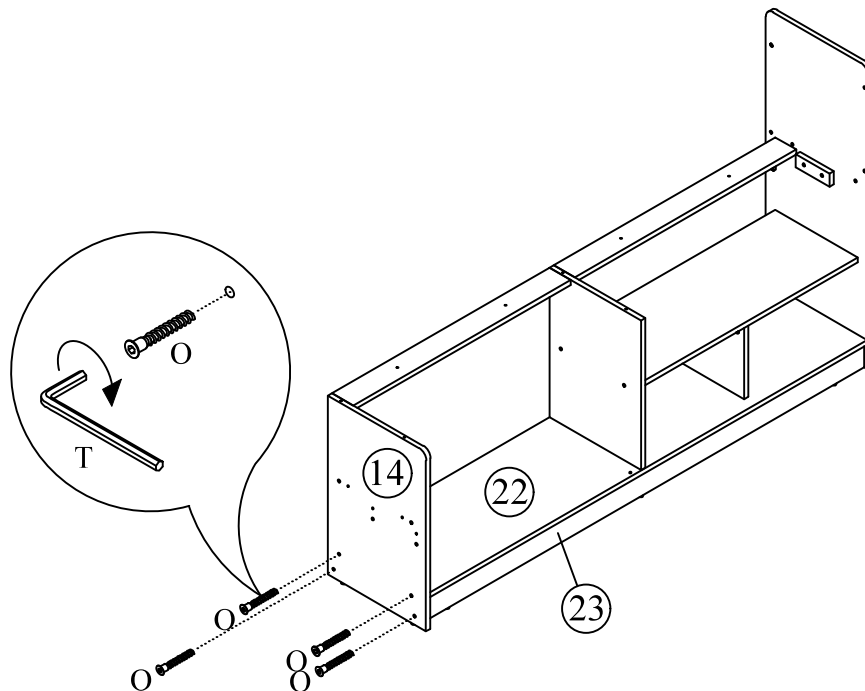
K		4
L		16





8 ○ ● 6

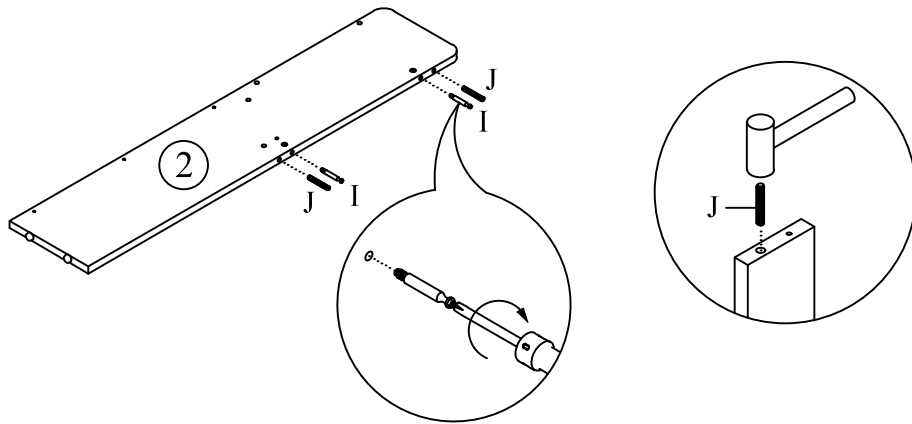


9 ○ ● 4

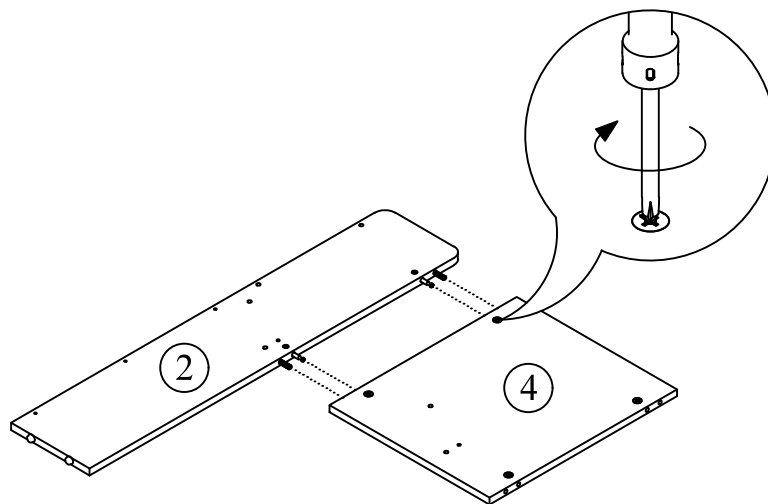


10



I		2
J		2

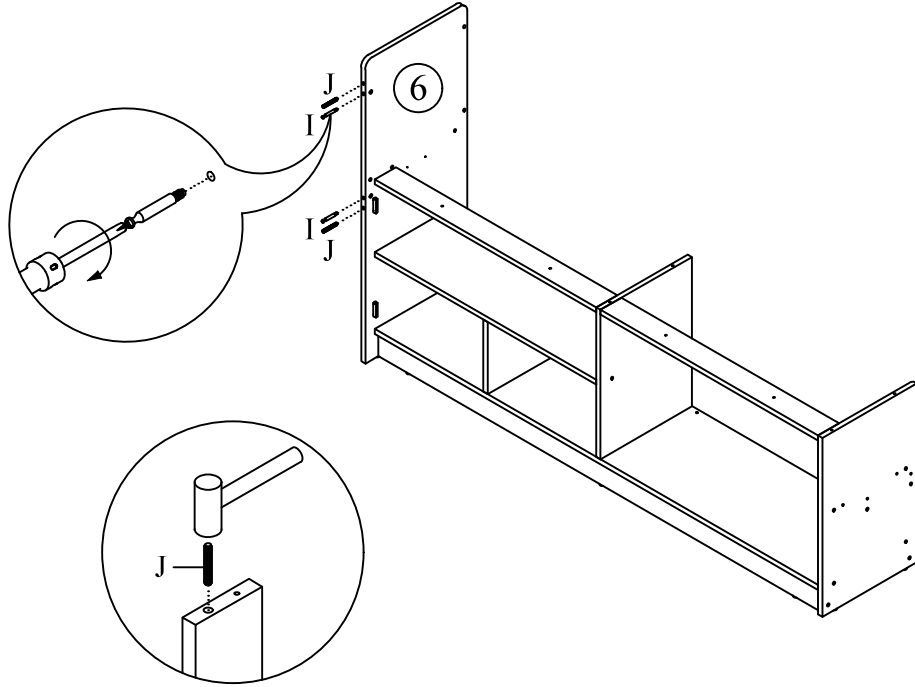


11

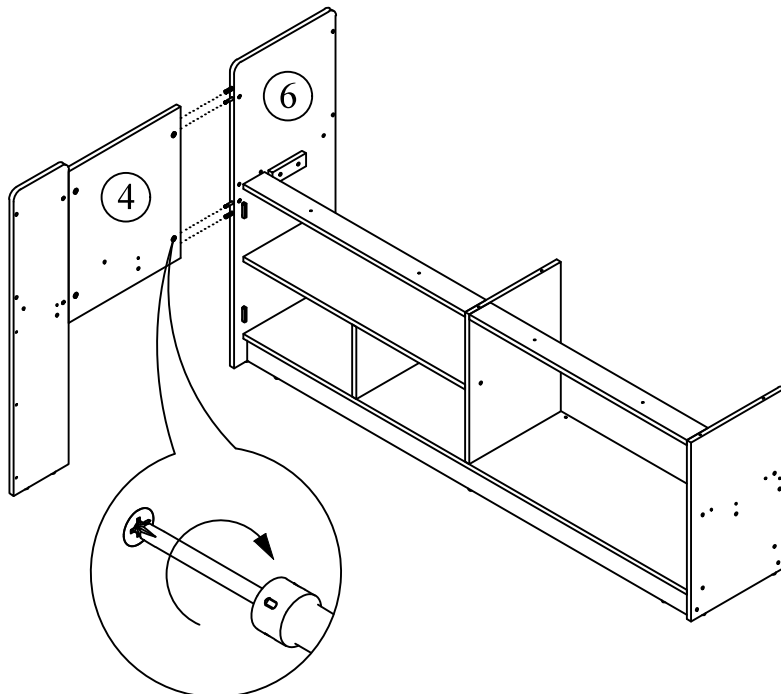


12



I		2
J		2

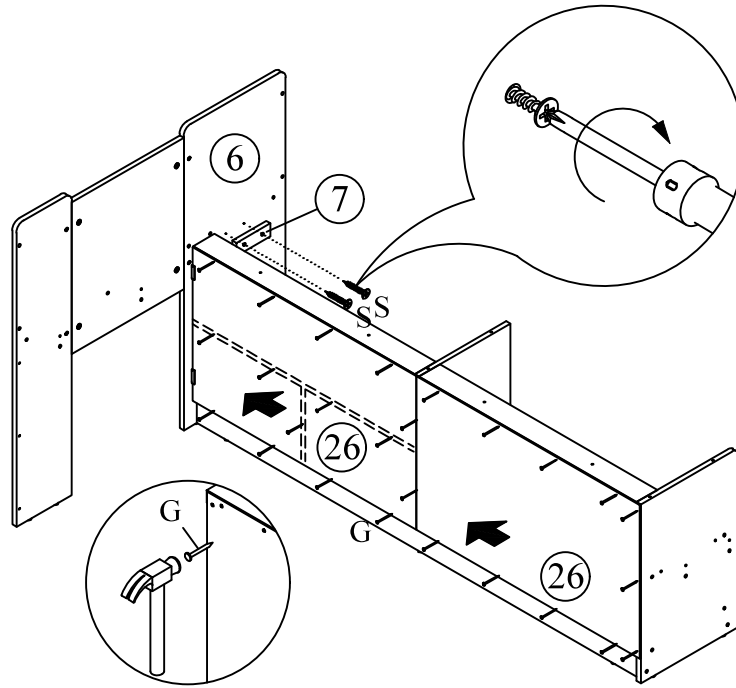


13



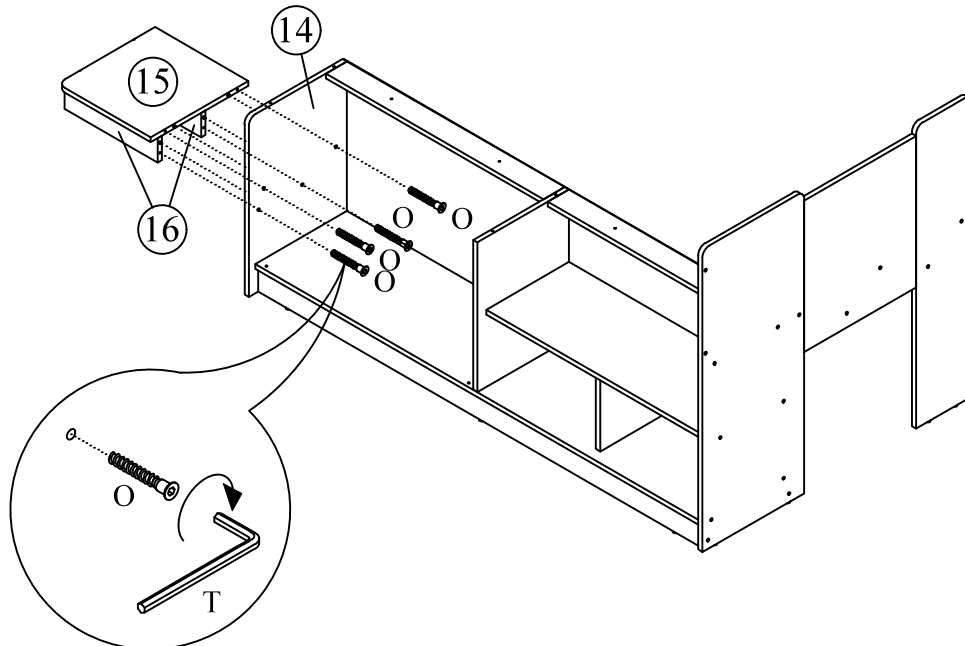
14

G		26
S		2






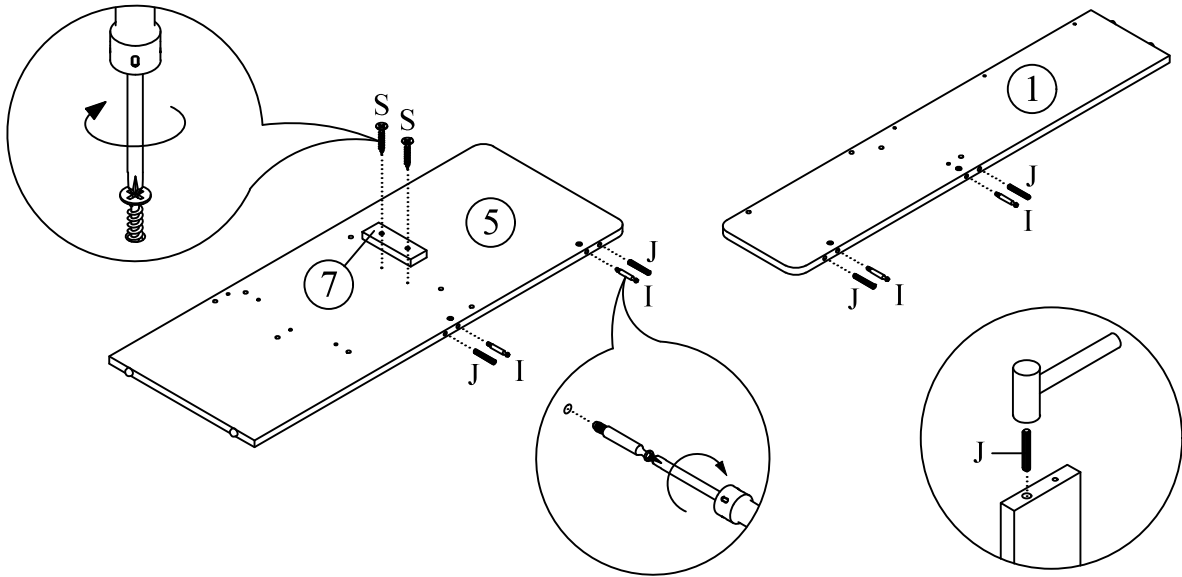
15

○		4
---	---	---

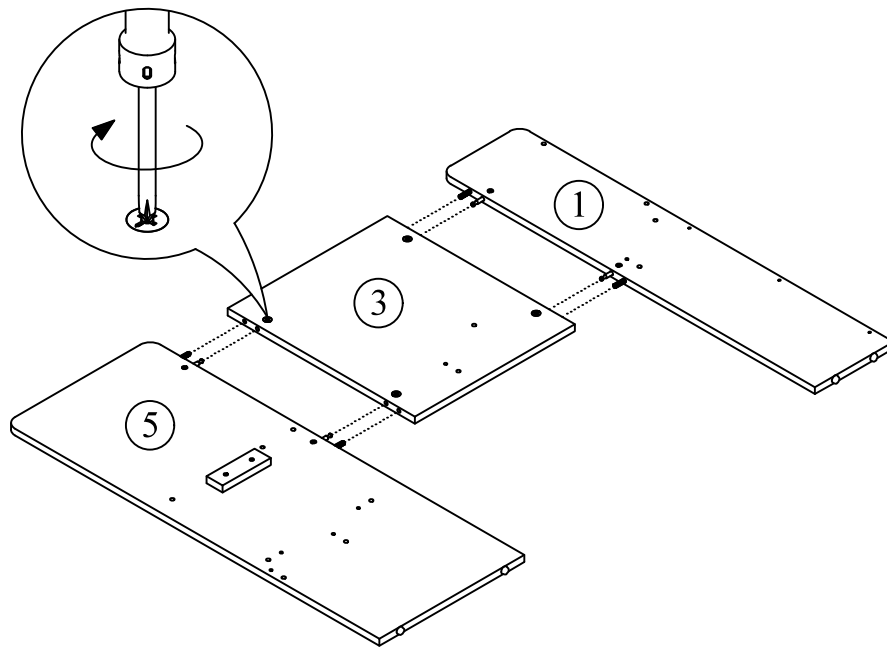


16

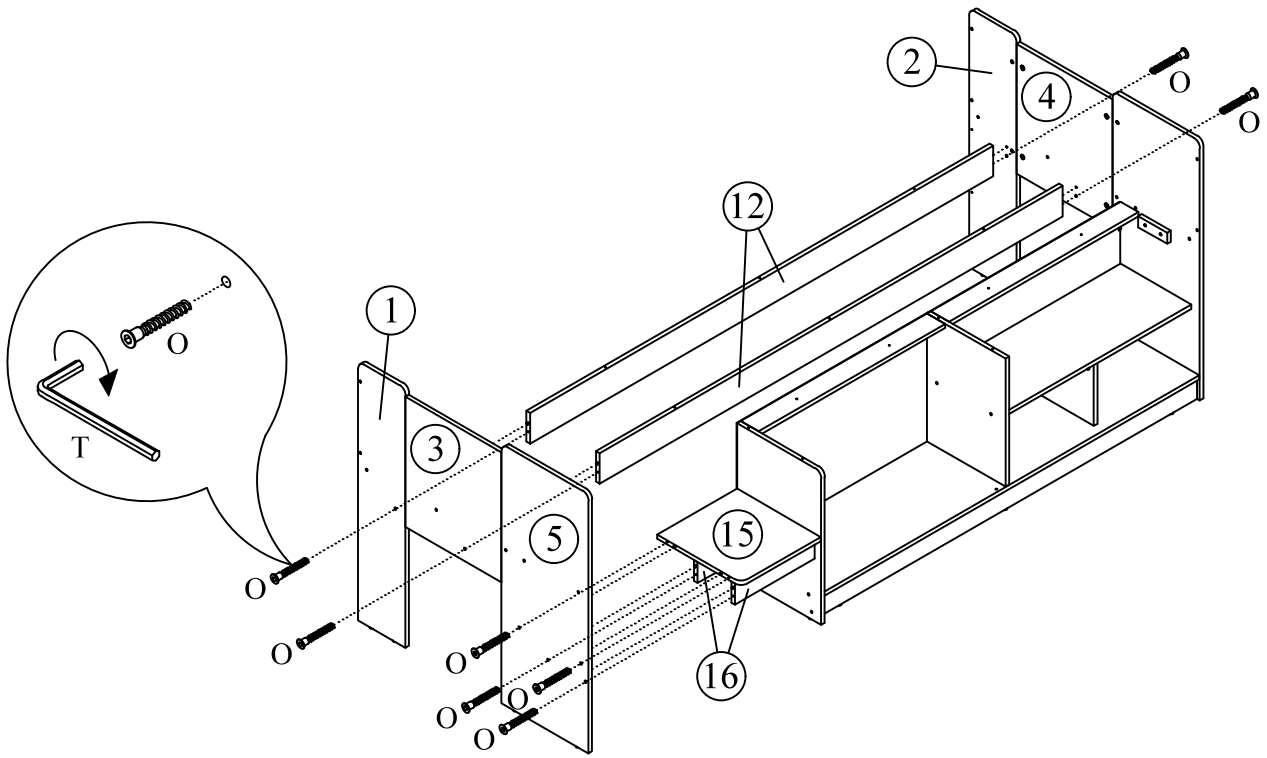
I		4
J		4
S		2



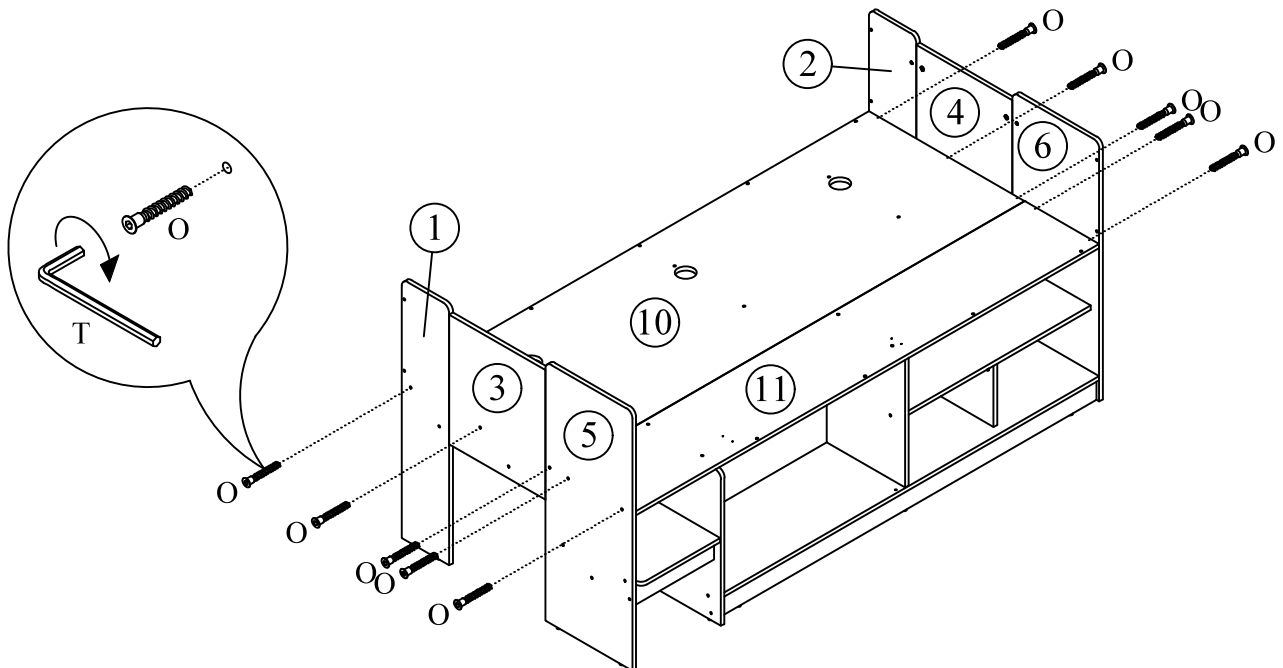
17



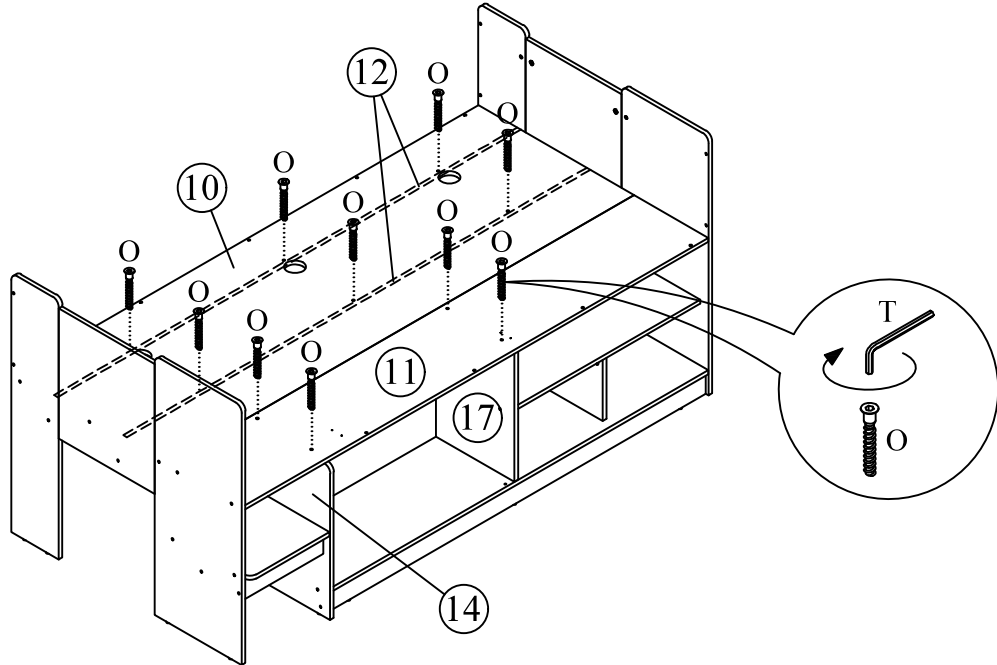
18



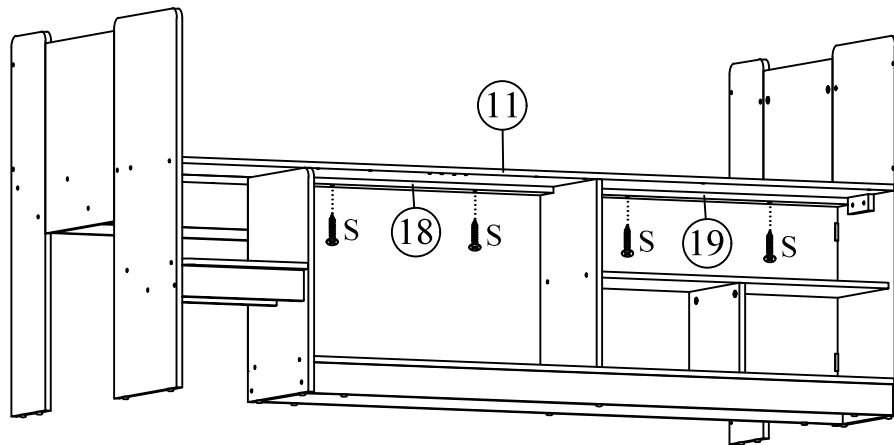
19





20

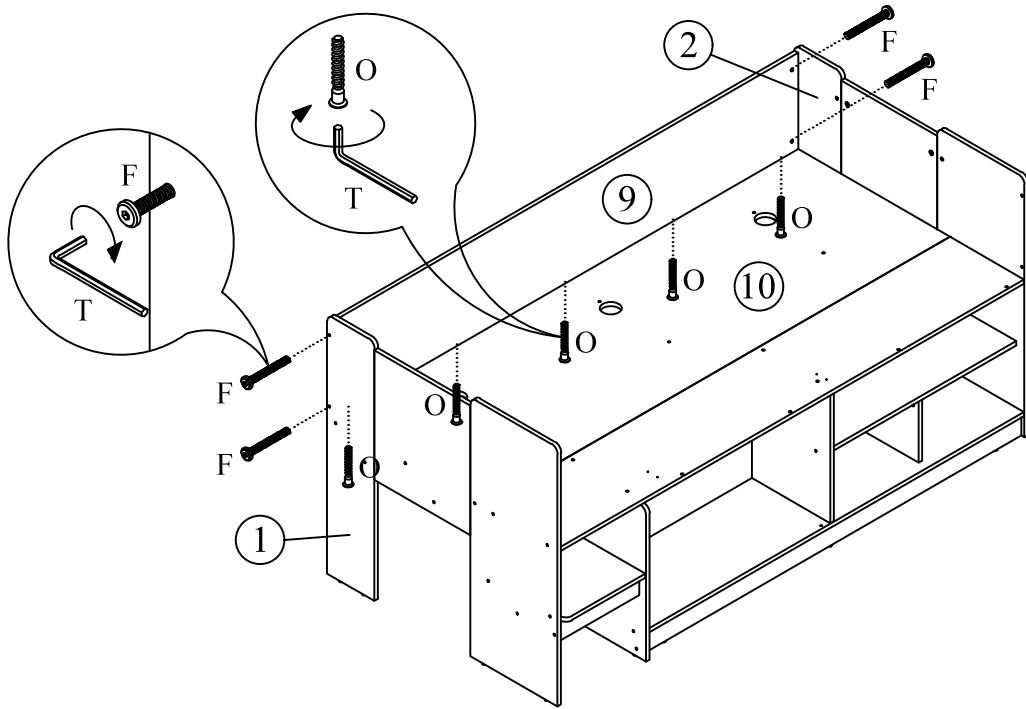


21





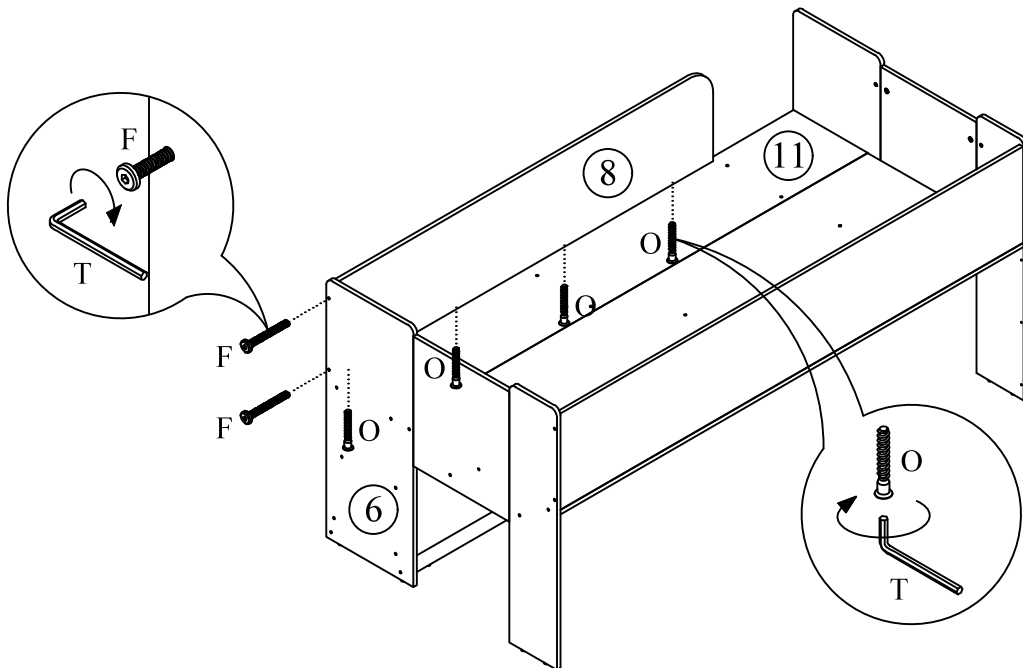
22

F		4
O		5





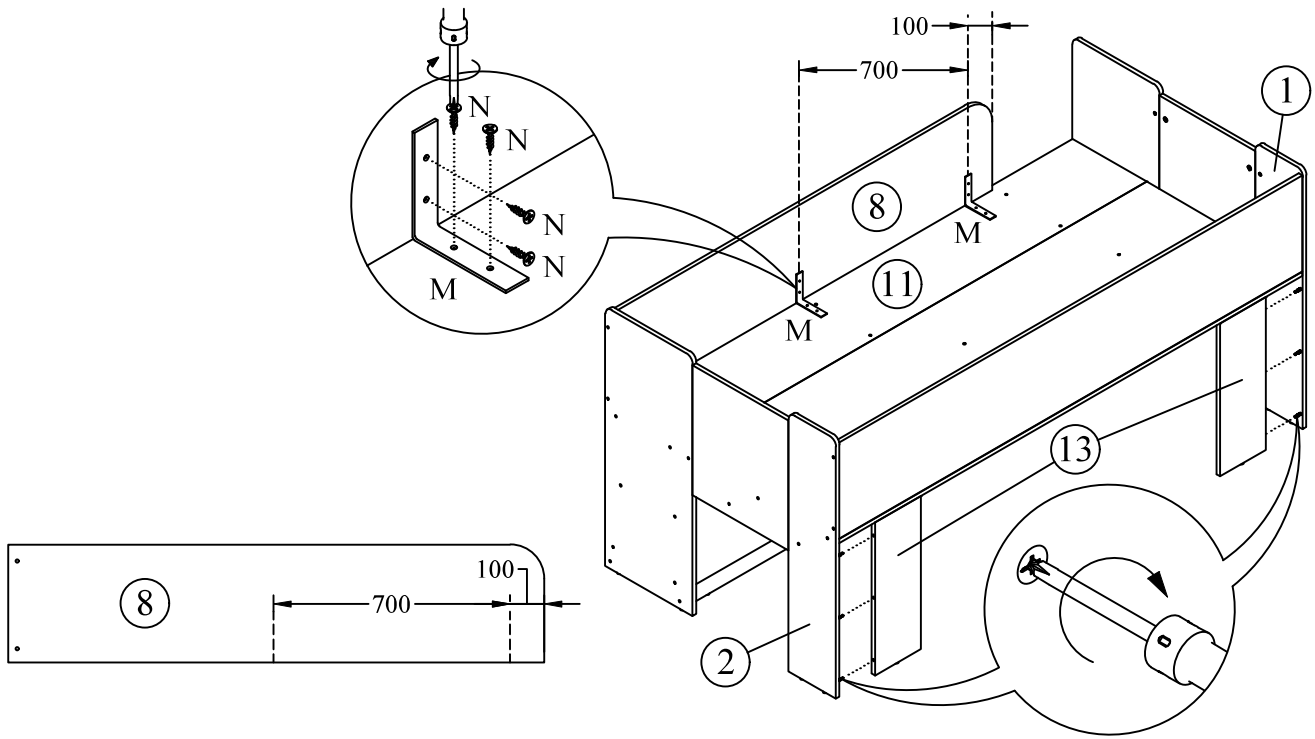
23

F		2
O		4



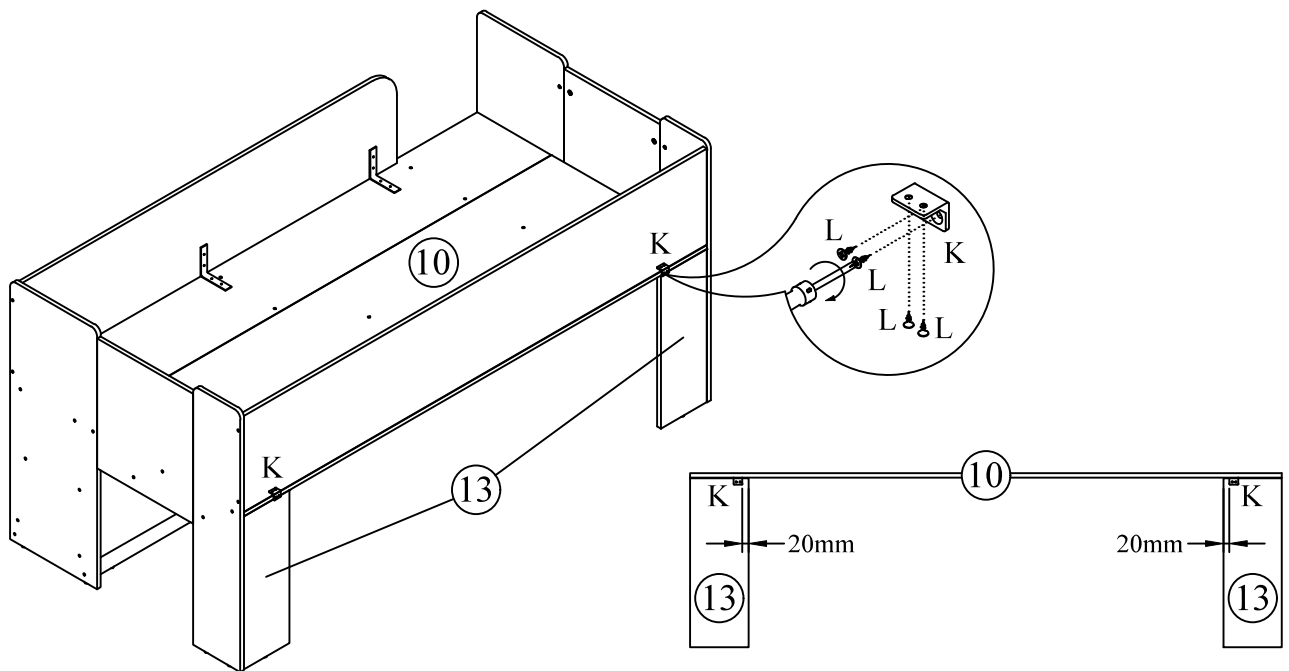
24

M		2
N		8





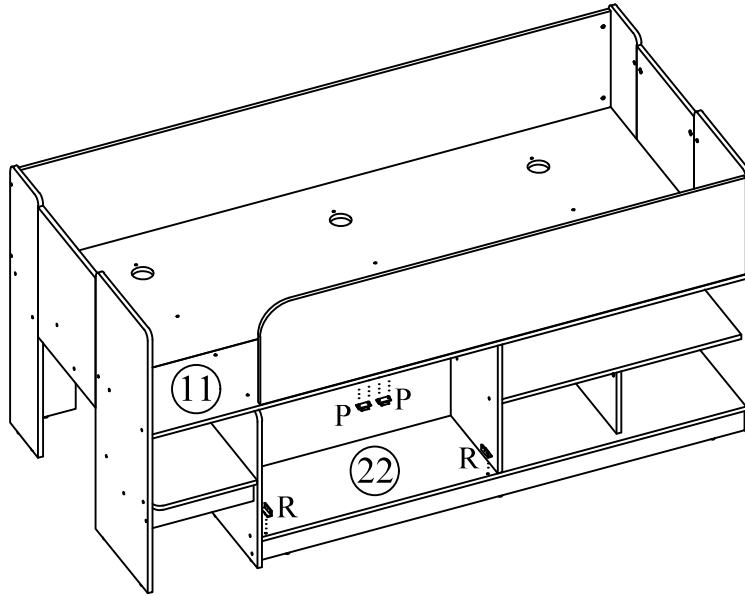
25

K		2
L		8






26

P		2
R		2



27

N		4
Q		2
R		2

