

ASSEMBLY INSTRUCTIONS **ATLAS 4'6" BED**

IMPORTANT: READ THESE INSTRUCTIONS CAREFULLY BEFORE ASSEMBLING OR USING YOUR ATLAS 4'6" BED FRAME.

PLEASE KEEP THESE INSTRUCTIONS FOR FUTURE REFERENCE.

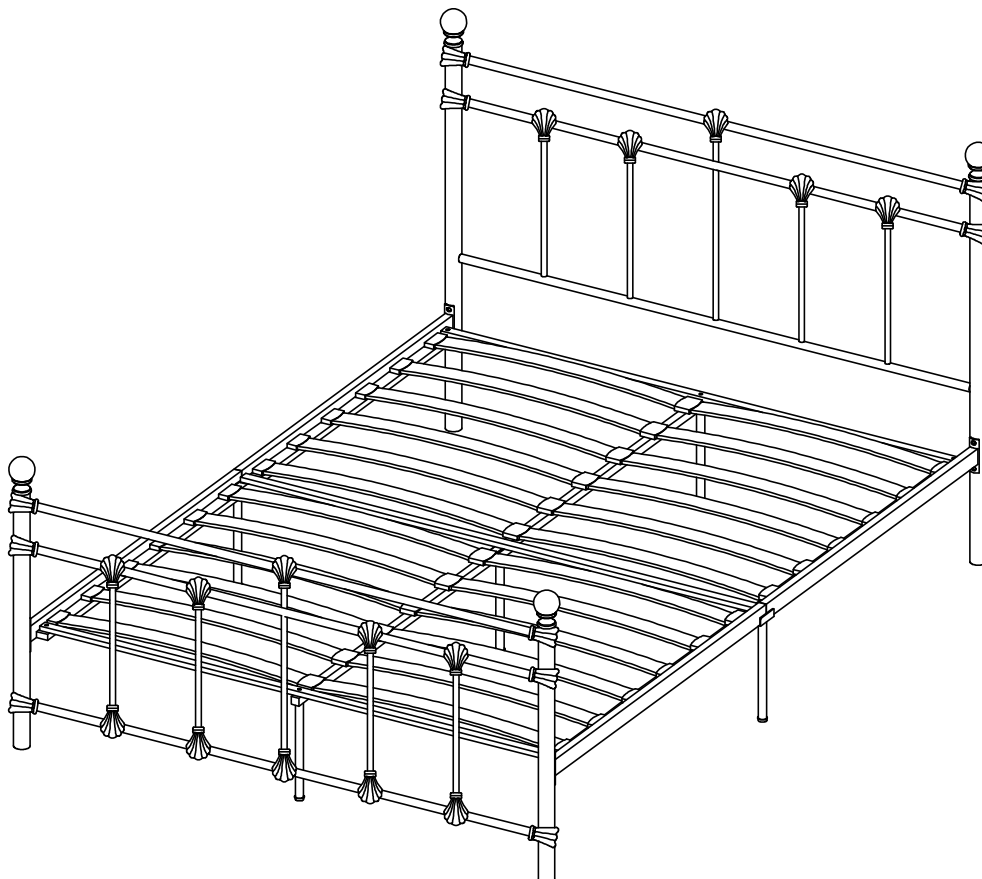
HEALTH & SAFETY :

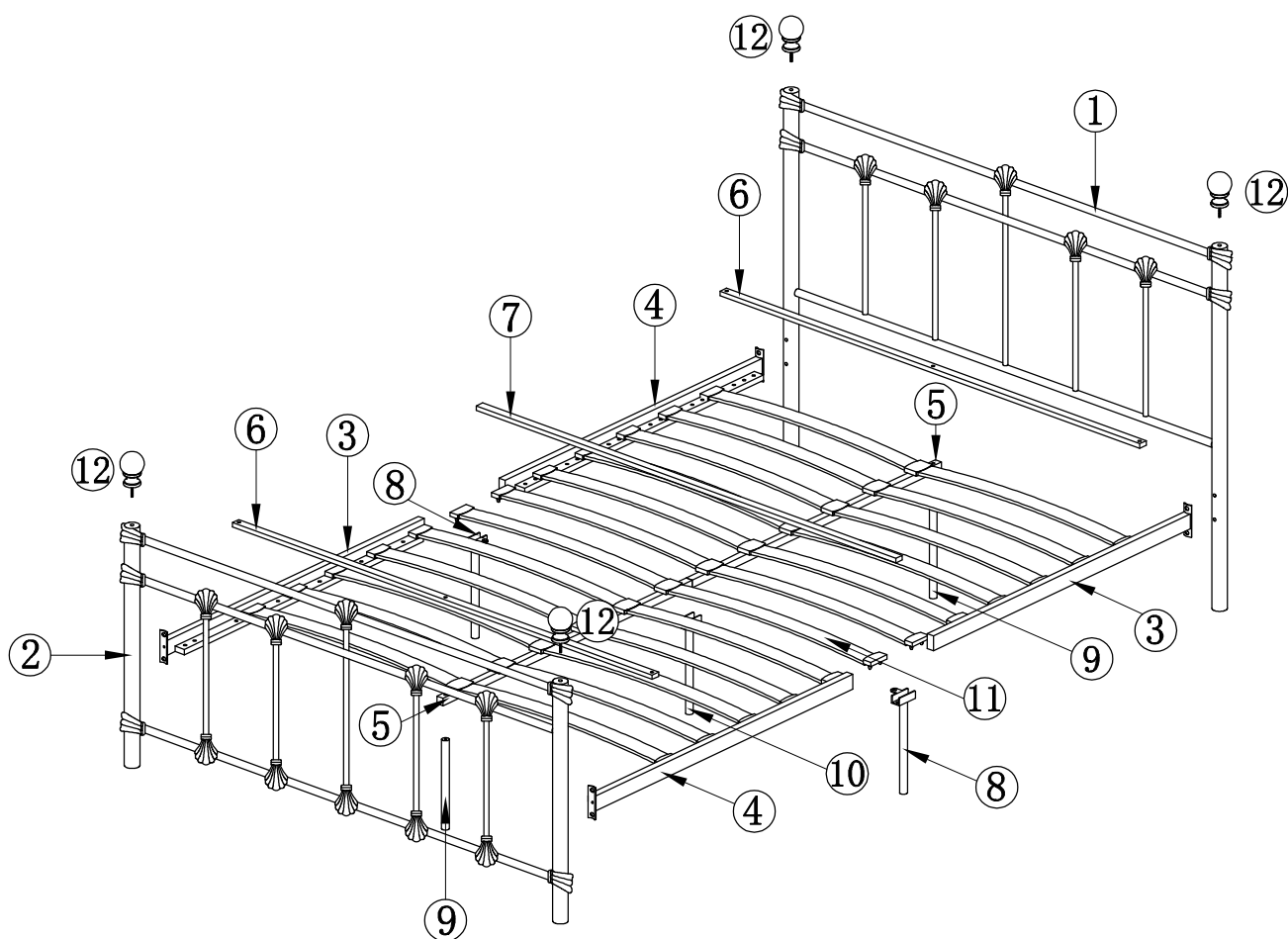
DO NOT jump on this bed frame.
DO NOT use this bed frame if any parts are missing, damaged or worn.
DO NOT use this bed frame unless all fixings are secured.
Please keep small parts out of reach of children.
Always use on a level, even surface.












WARNING: If this bed is placed on a non-carpeted floor you must place some protection under all legs to stop the bed frame from moving. If this is not adhered to there is no guarantee if the bed frame collapses.

CARE & MAINTENANCE:

Assemble in the room of use.
Periodically check all screws & fixings to ensure they are secure.
DO NOT push the bed frame as this will damage the legs.
Always lift the bed with two people to reposition.
Keep any sharp objects away from the frame.

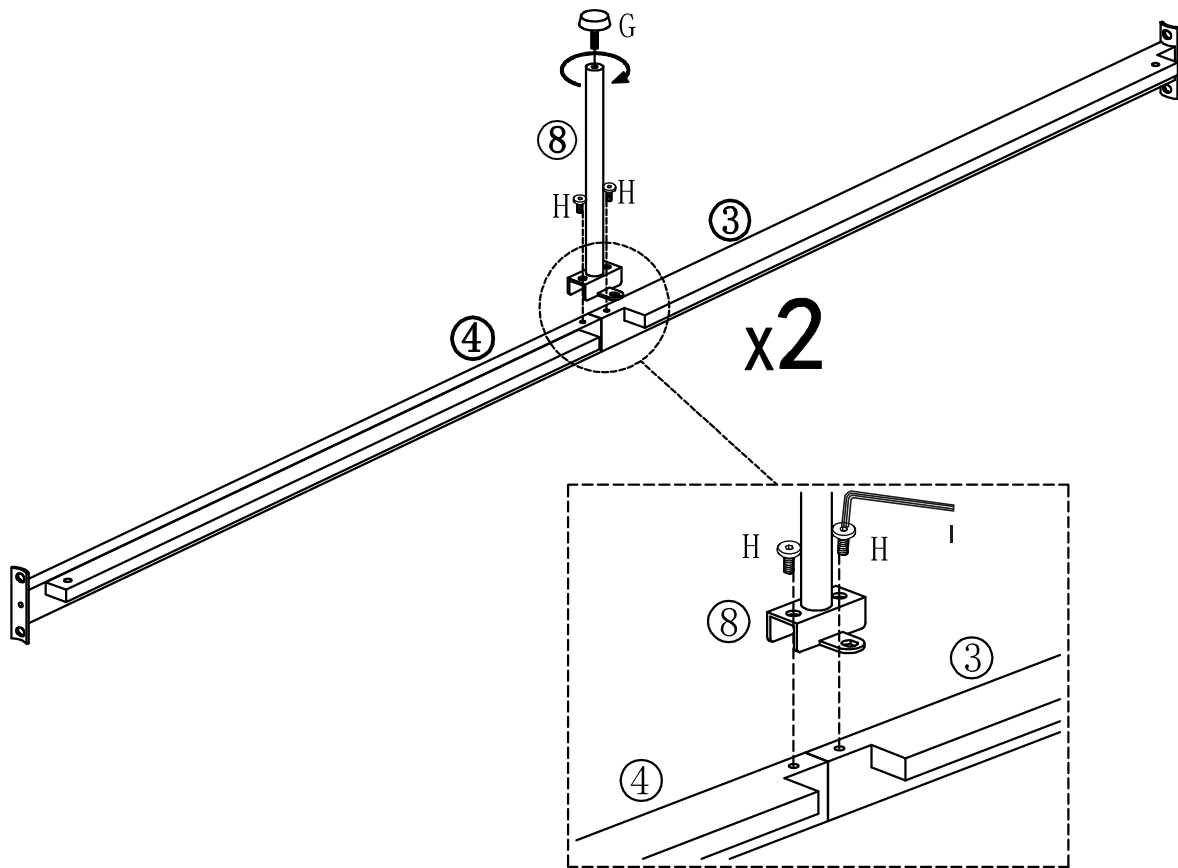




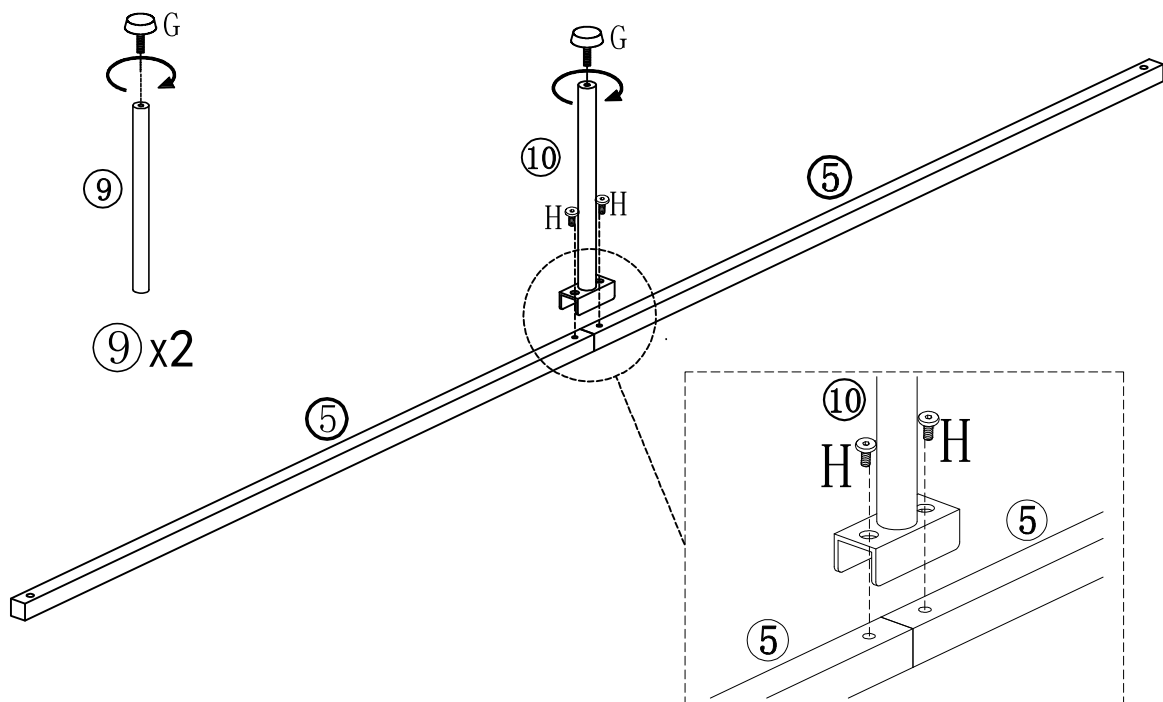
PART LIST				HARDWARE LIST (FOUND IN BOX 1)			
PART	DESCRIPTION	BOX	QTY	PART	DESCRIPTION		QTY
1	Headend	1	1	A	M8 x 20mm JCBC Screw		8
2	Footend	1	1	B	M6 x 45mm JCBC Screw		2
3	Side Support	1	2	C	M6 Nut		4
4	Side Support	1	2	D	M6 x 35mm JCBC Screw		4
5	Mid Support	1	2	E	Double Slat Cap		12
6	Side Frame	1	2	F	Single Slat Cap		24
7	Side Frame	1	1	G	Ø2 2xM6x15mm		5
8	Base Leg	1	2	H	M6 x 12mm JCBC Screw		8
9	Base Leg	1	2	I	M4		1
10	Base Leg	1	1	J	M5		1
11	Slat	1	24	K	60x 25mm		1
12	Finial	1	4				

IMPORTANT: Do not tightly secure the screws before completing Step 2.

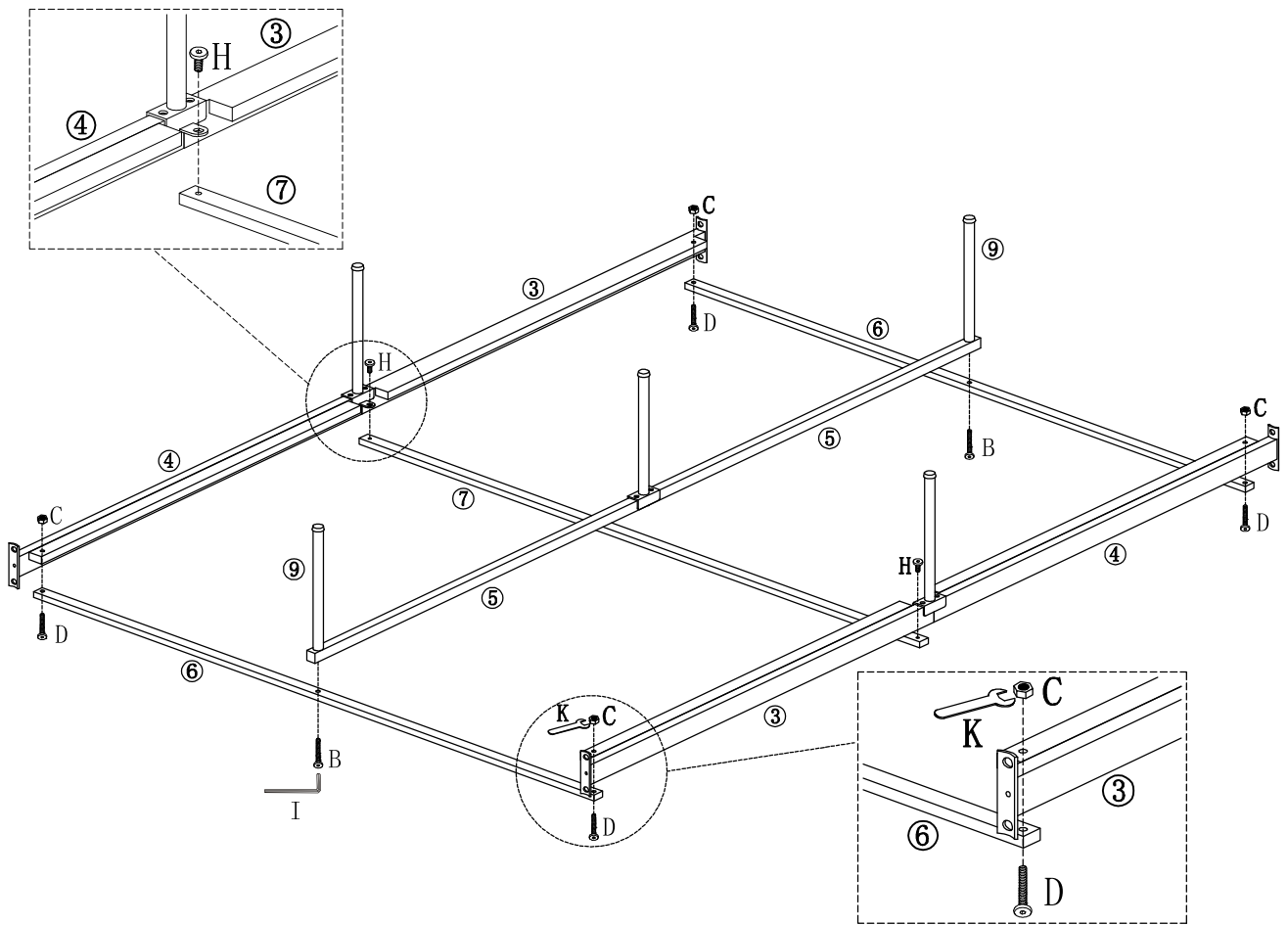
Step 1:



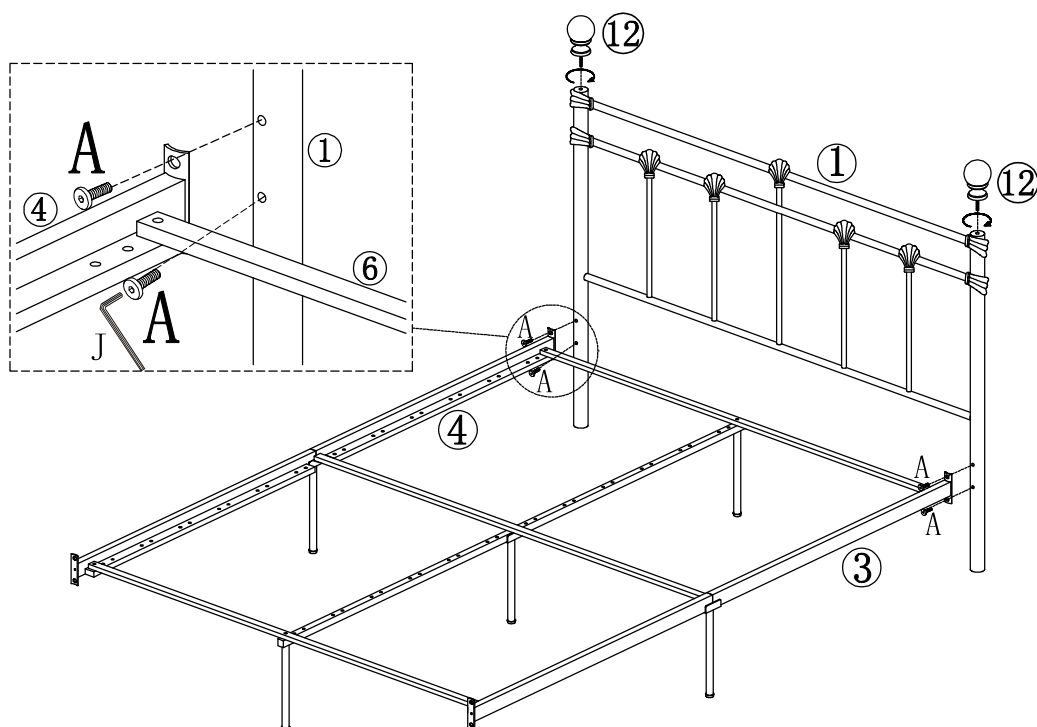
Step 2:



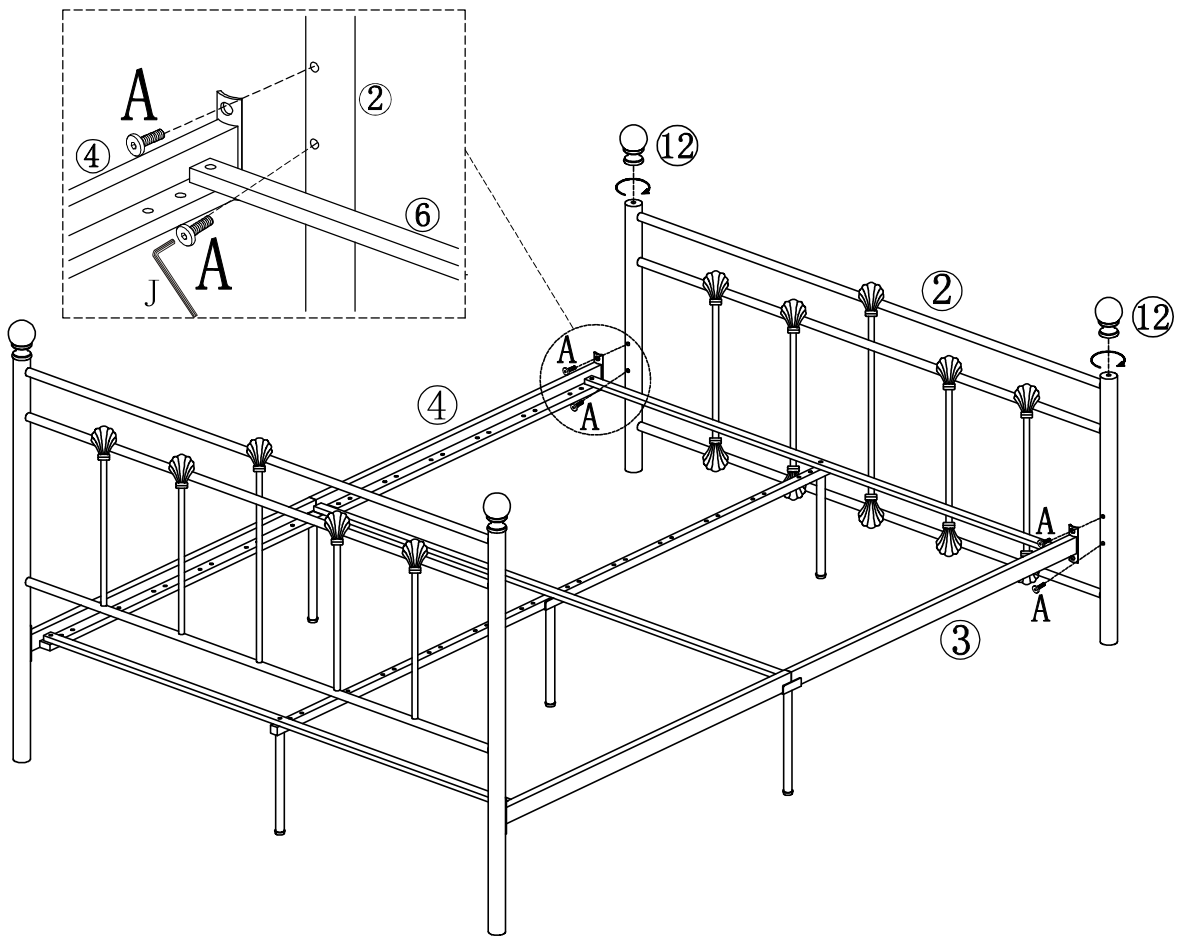
Step 3:



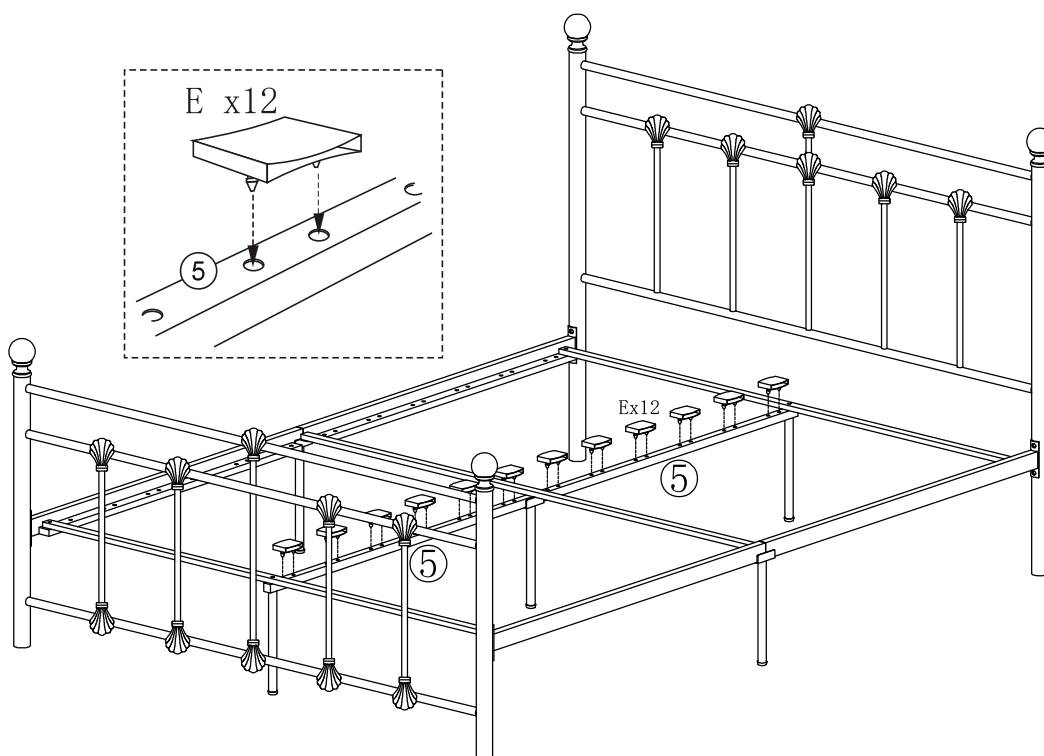
Step 4:



Step 5:



Step 6:



Step 7:

