

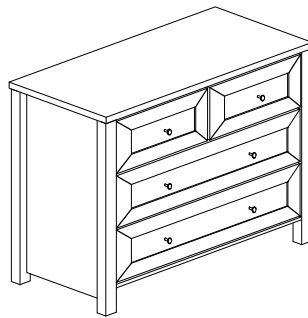
# LPD HOME™

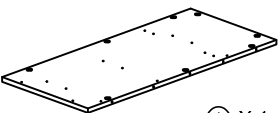
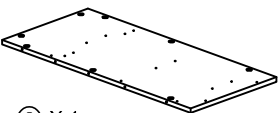
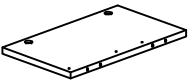
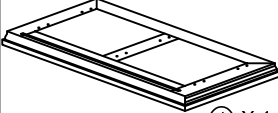
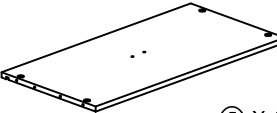
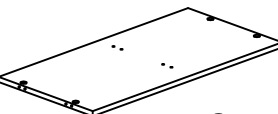
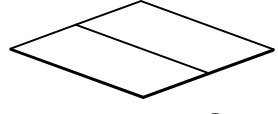
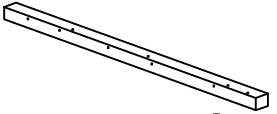
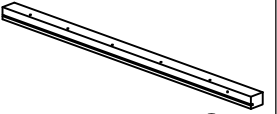
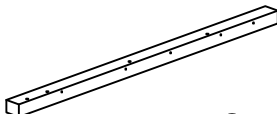

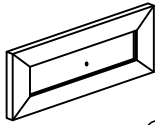
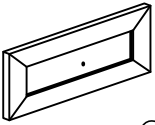
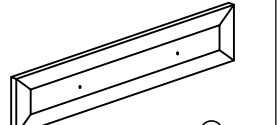
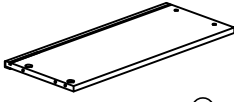
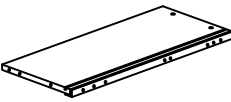
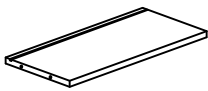
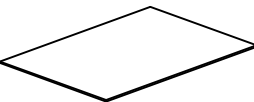



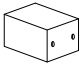
## ASSEMBLY INSTRUCTION




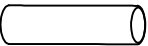

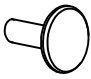

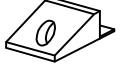

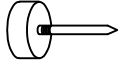




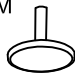

### IVES BLACK CHEST IVES WHITE CHEST

Please read before you continue further.

PLEASE KEEP THE ORIGINAL PACKAGING UNTIL THE ITEM IS FULLY ASSEMBLED AND IN PLACE. IN TIME UNLIKELY EVENT THAT YOU NEED TO RETURN YOUR PRODUCT. IT MUST BE RETURNED IN ITS ORIGINAL PACKAGING TO AVOID FURTHER DAMAGE. FAILURE TO FOLLOW THESE PROCEDURES, NO RETURNS WILL BE ACCEPTED.

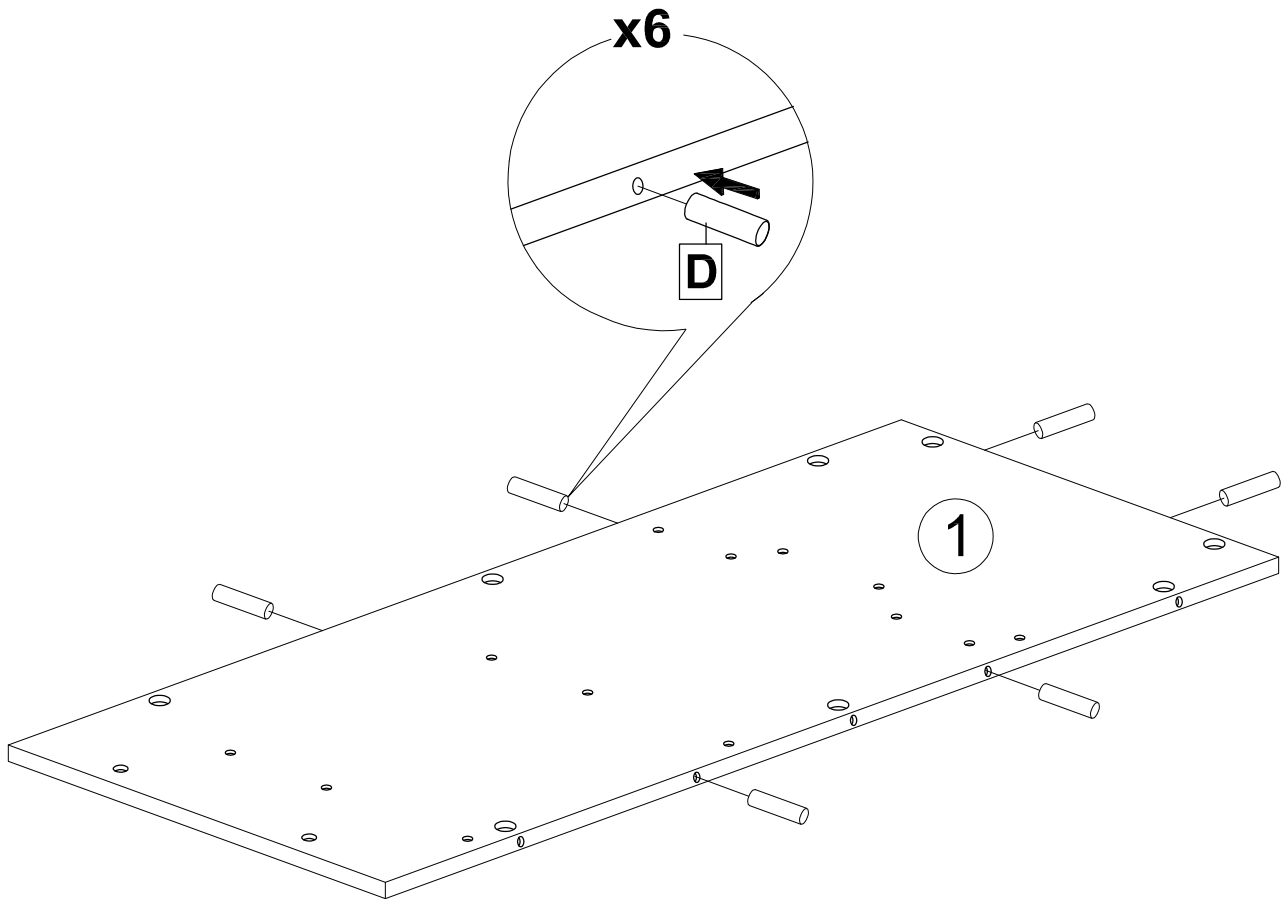


 ① X 1	 ② X 1	 ③ X 1	 ④ X 1	 ⑤ X 1
 ⑥ X 1	 ⑦ X 1	 ⑧ X 1	 ⑨ X 1	 ⑩ X 1
 ⑪ X 1	 DRAWER FRONT RIGHT ⑫ X 1	 DRAWER FRONT LEFT ⑬ X 1	 ⑭ X 2	 ⑮ X 4
 ⑯ X 4	 ⑰ X 2	 ⑱ X 2	 ⑲ X 2	 ⑳ X 2
 ㉑ X 4	 ㉒ X 1			


 CAM 1633 SV A x 26	 CAM 1238 SV B x 20	 BOLT 0903 SV C x 46	 METAL DOWEL DIA 6 x 30MM D x 32	 SCREW M3.5 x 25MM E x 24	 KNOB F x 6	 SCREW M4 x 10MM G x 6	 BACKPLY STOPPER H x 6
 SCREW M3 x 20MM I x 6	 LEG COVER 16MM J x 5	 SCREW M3.5 x 12MM K x 32	 SCREW M8 x 38MM L x 4	 METAL SLIDE RIGHT M x 4	 METAL SLIDE LEFT N x 4	 PVC CAP 17MM O x 46	 ANTI TIP STRAP P x 2

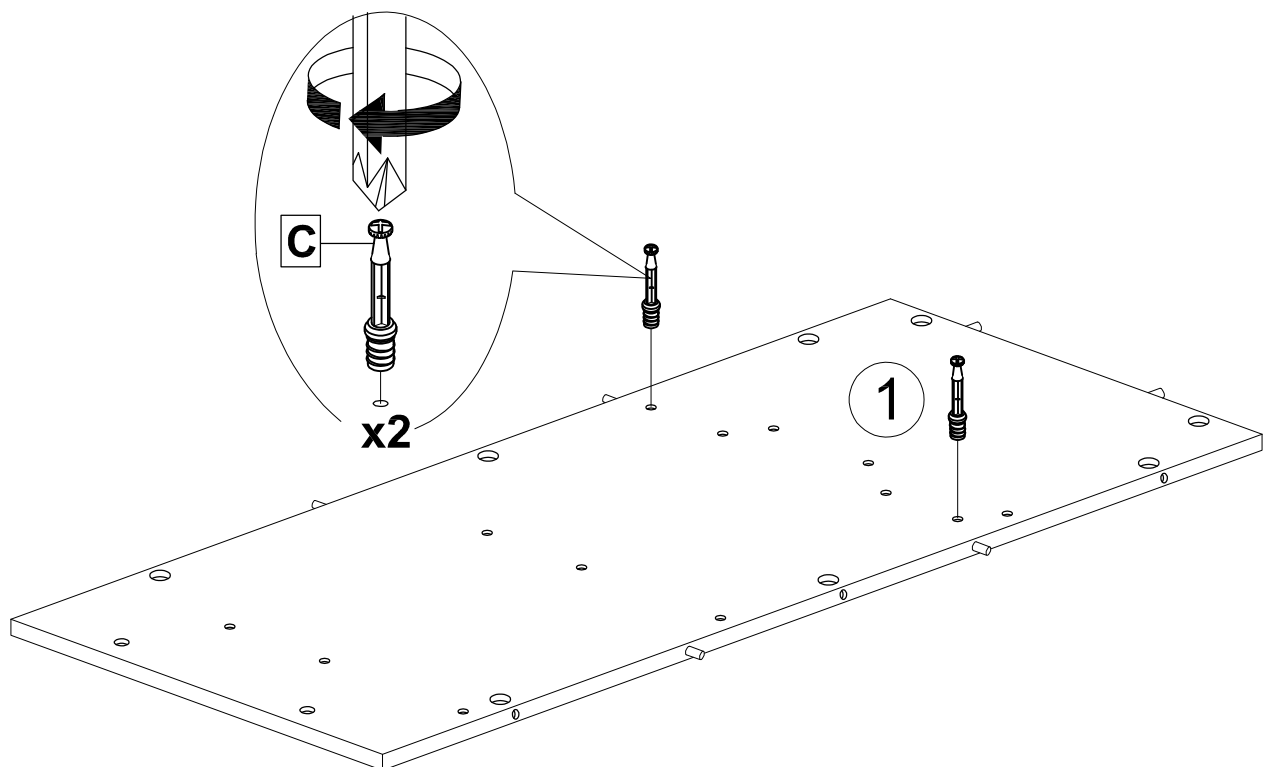
# STEP 1

D		METAL DOWEL DIA 6 x 30MM	6
---	---	--------------------------	---



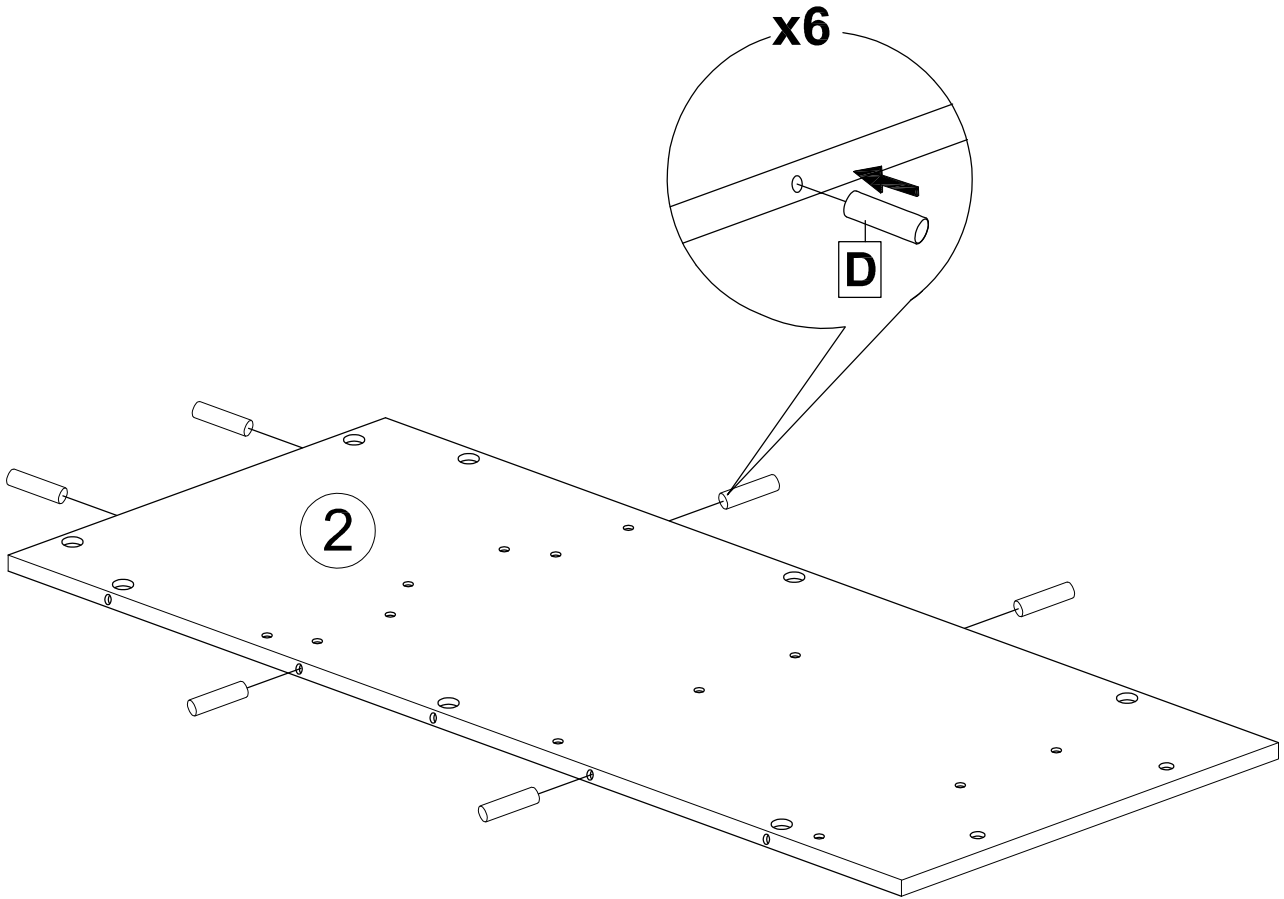
# STEP 2

C		BOLT 0903 SV	2
---	---	--------------	---




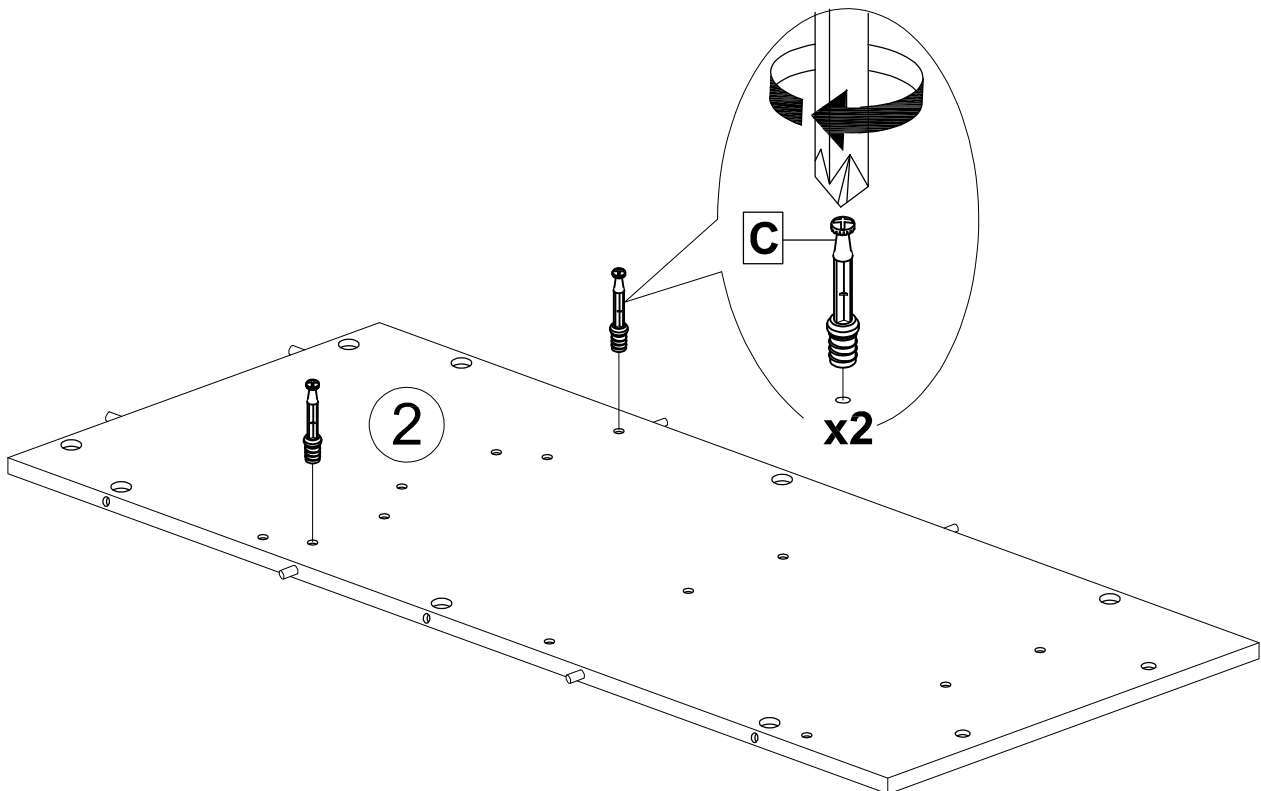
**STEP 3**

D		METAL DOWEL DIA 6 x 30MM	6
---	---	--------------------------	---



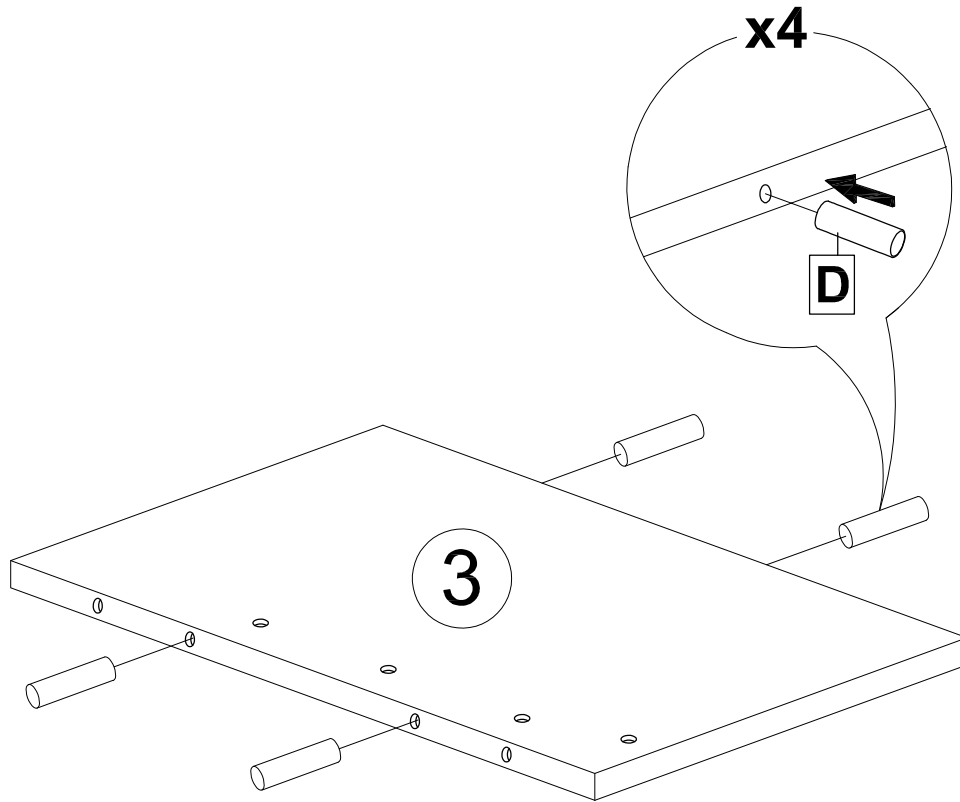
**STEP 4**

C		BOLT 0903 SV	2
---	---	--------------	---






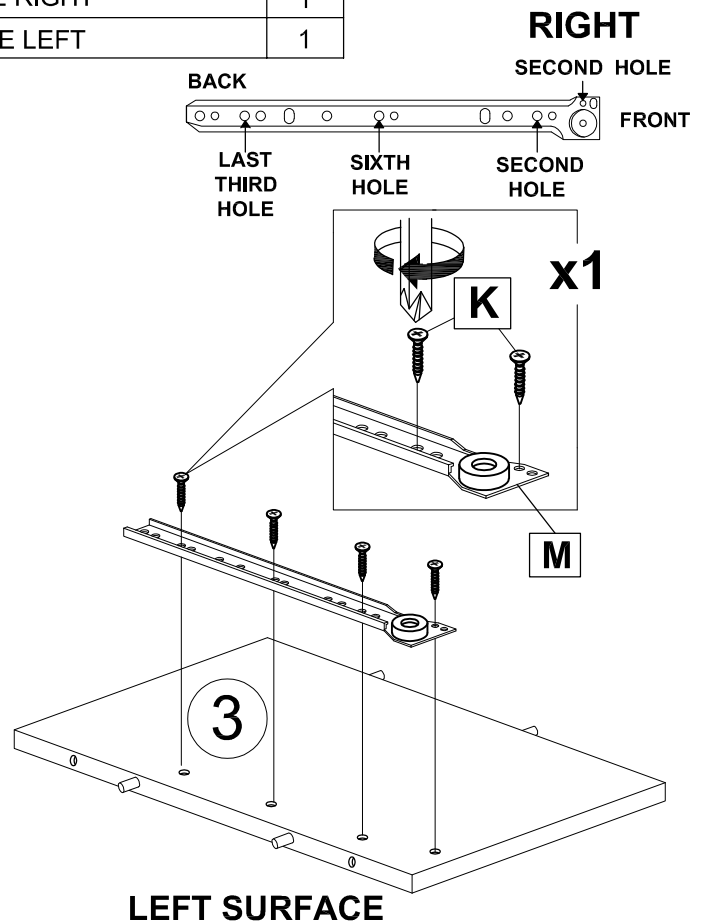
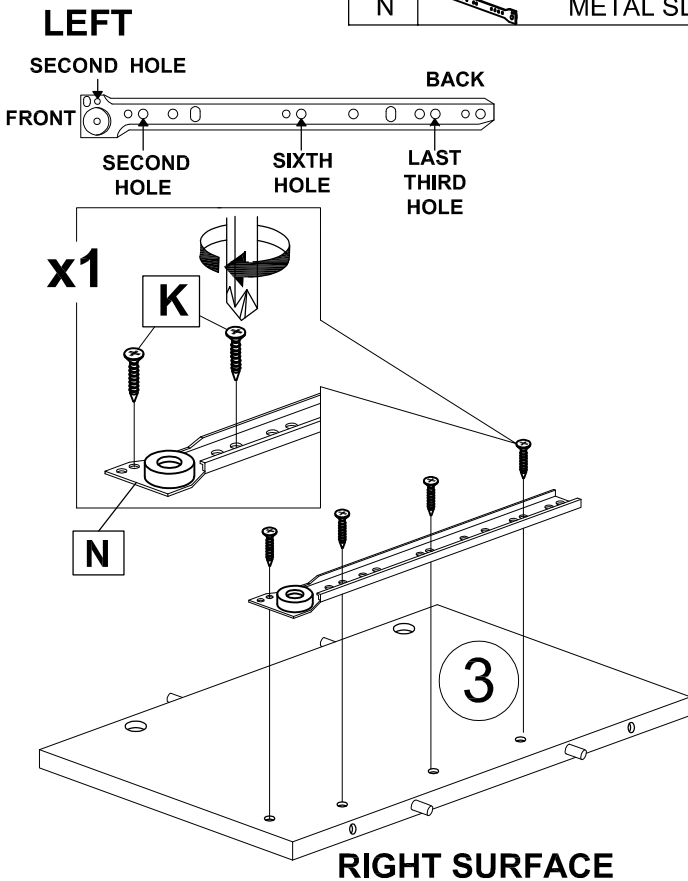
# STEP 5

D		METAL DOWEL DIA 6 x 30MM	4
---	---	--------------------------	---




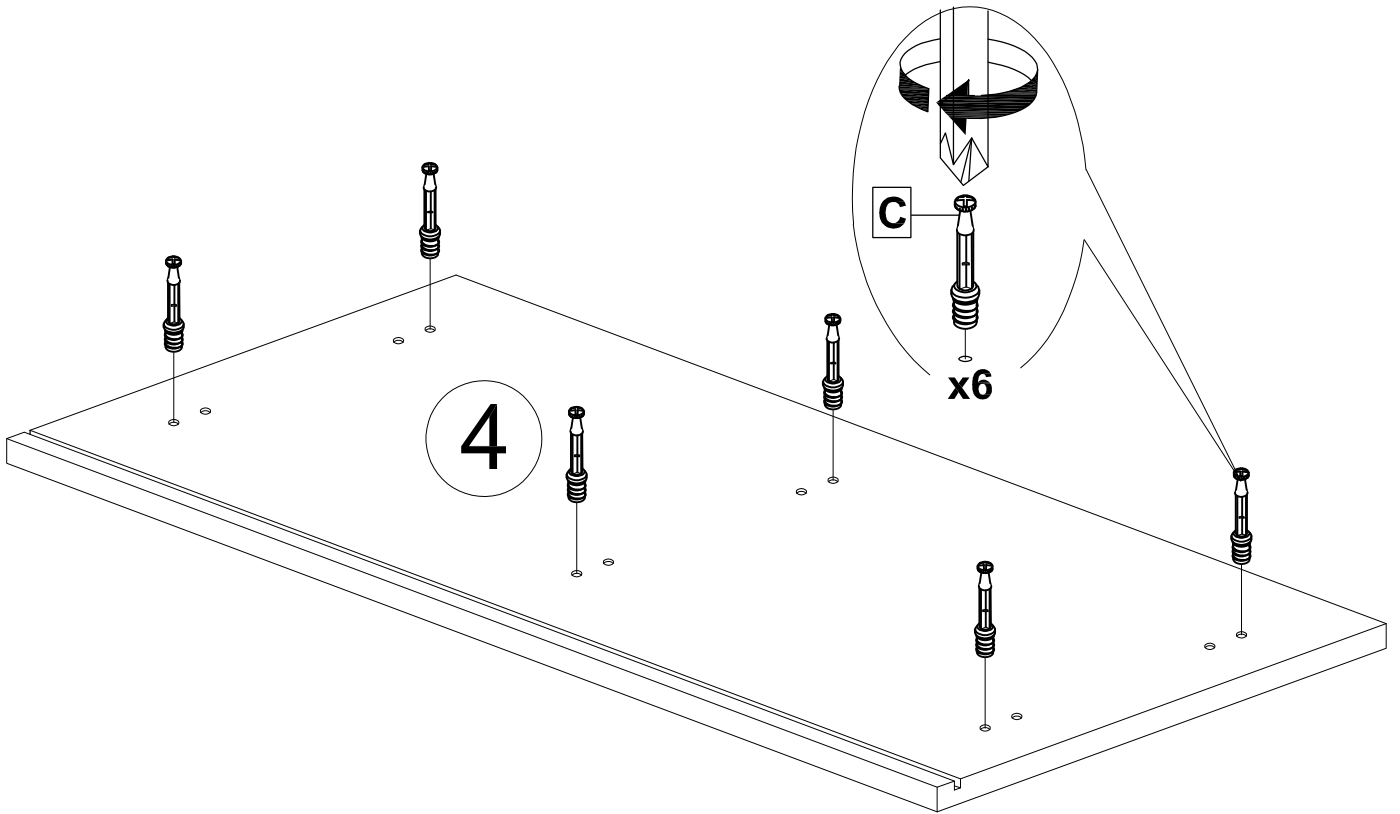
# STEP 6

K		SCREW M3.5 x 12MM	8
M		METAL SLIDE RIGHT	1
N		METAL SLIDE LEFT	1



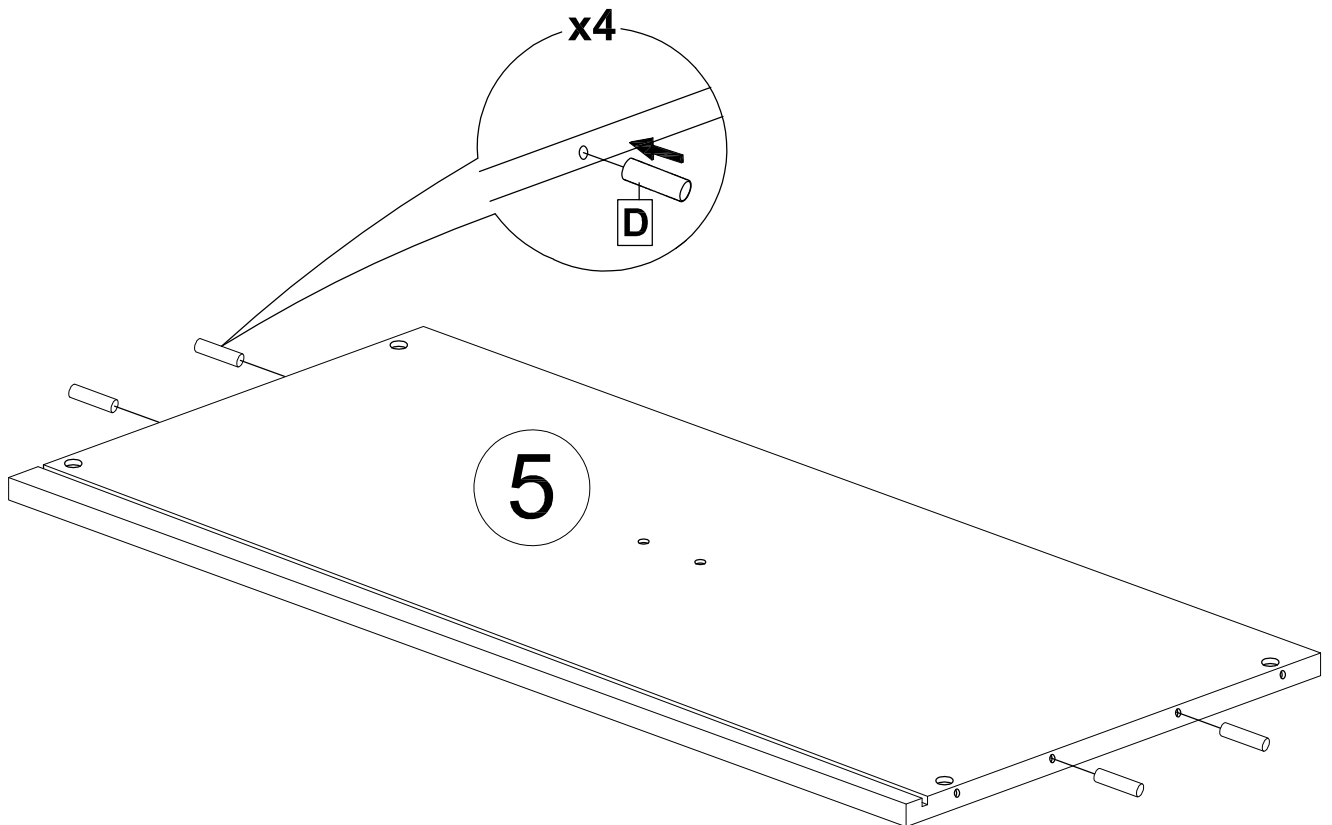
**STEP 7**

C		BOLT 0903 SV	6
---	---	--------------	---



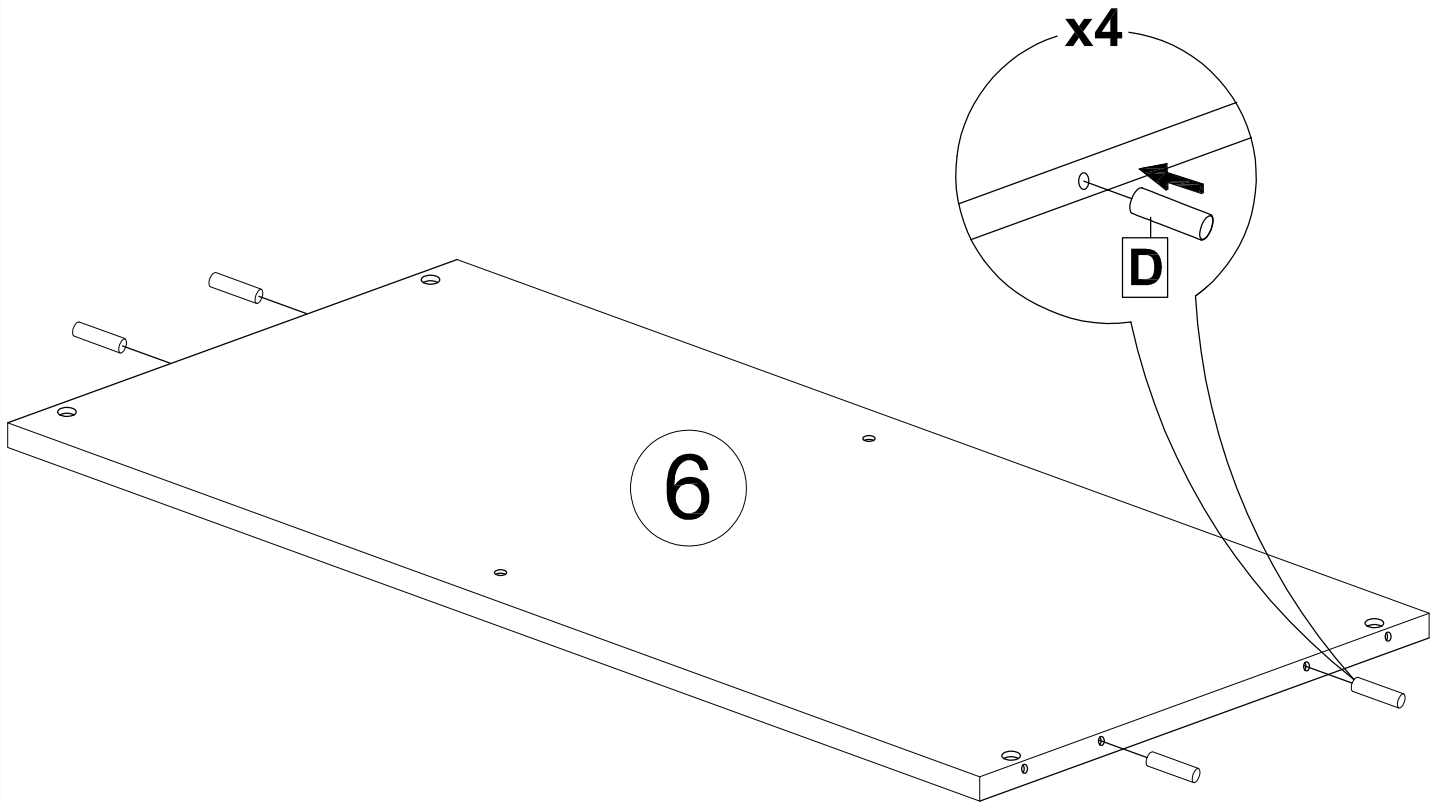
**STEP 8**

D		METAL DOWEL DIA 6 x 30MM	4
---	---	--------------------------	---




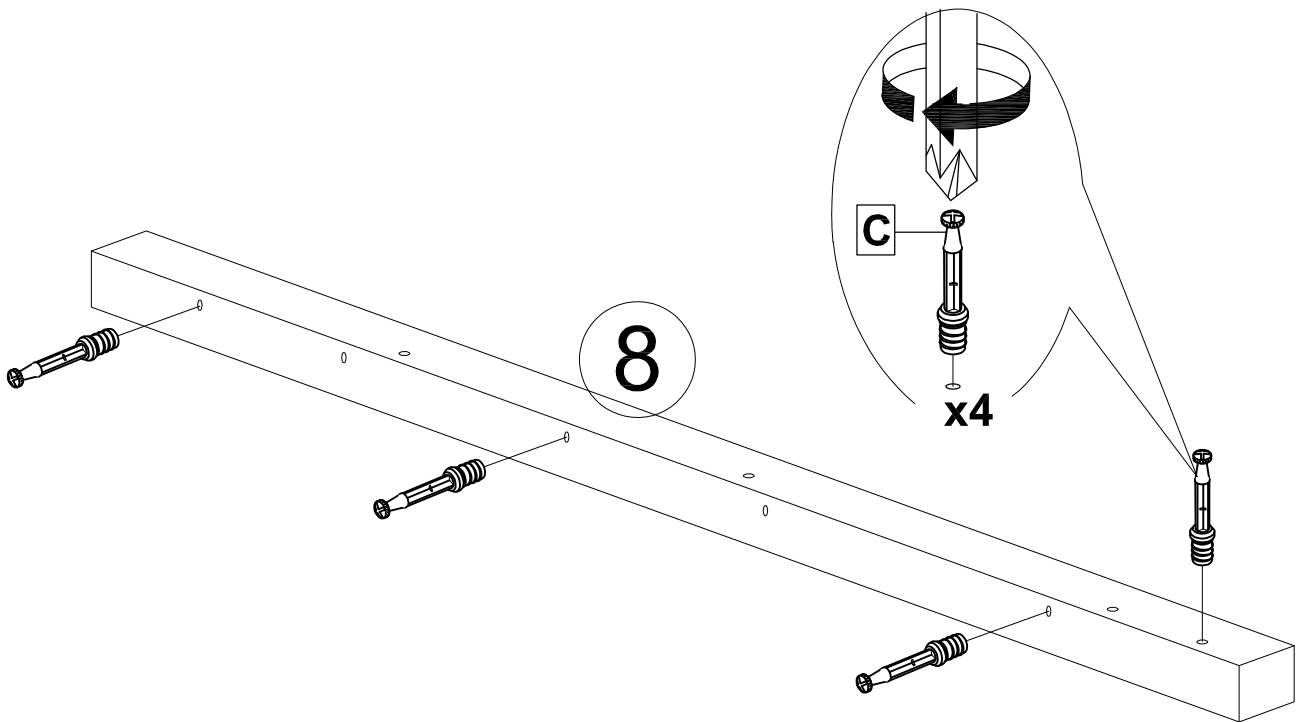
**STEP 9**

D		METAL DOWEL DIA 6 x 30MM	4
---	---	--------------------------	---




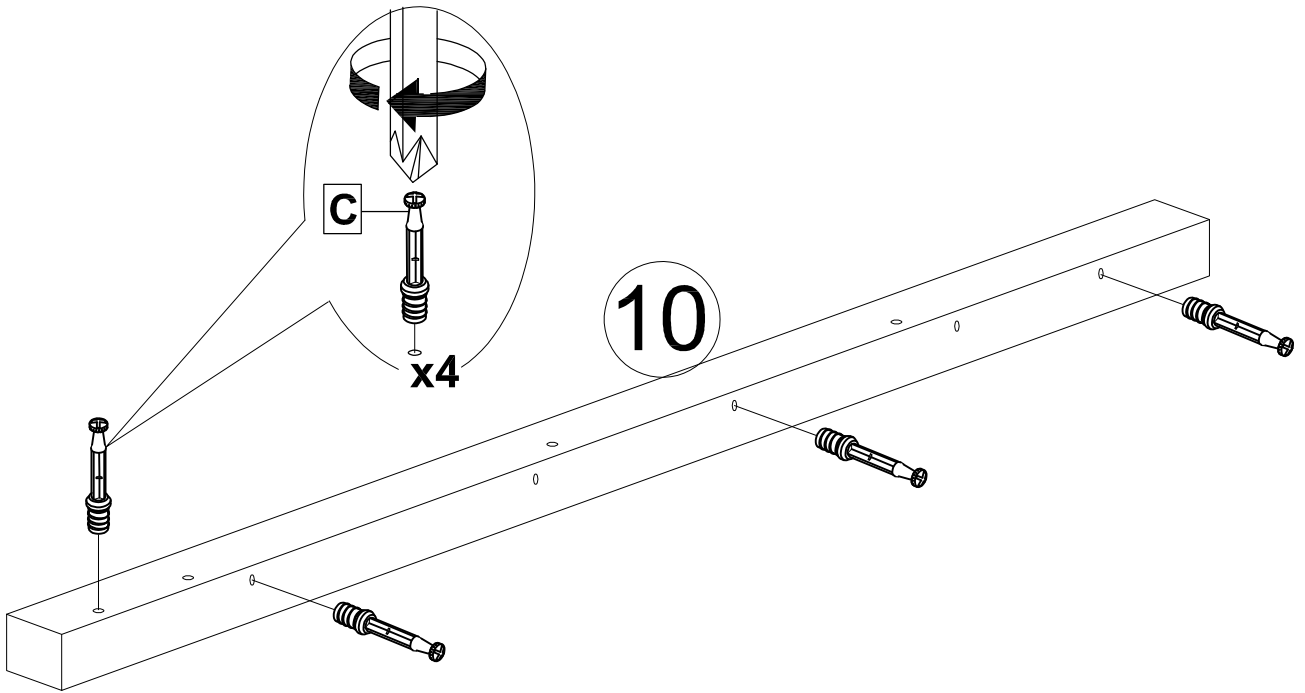
**STEP 10**

C		BOLT 0903 SV	4
---	---	--------------	---




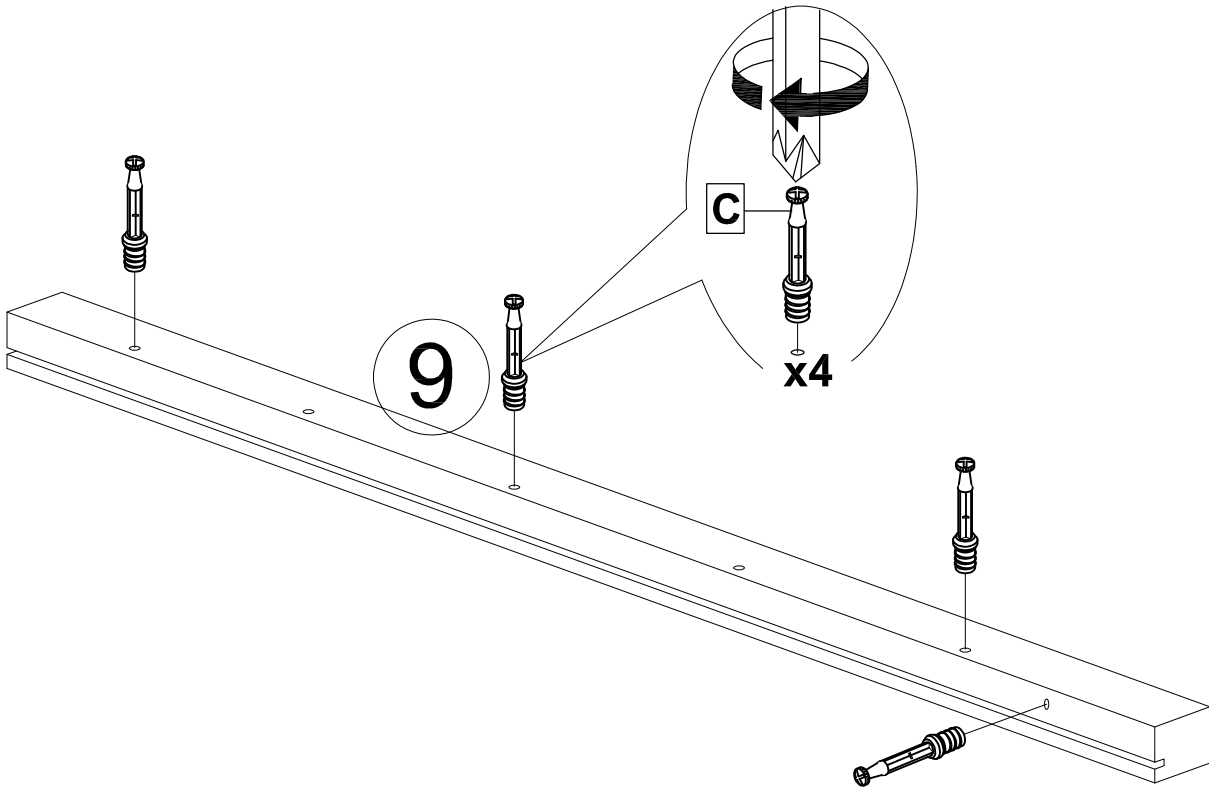
**STEP 11**

C		BOLT 0903 SV	4
---	---	--------------	---




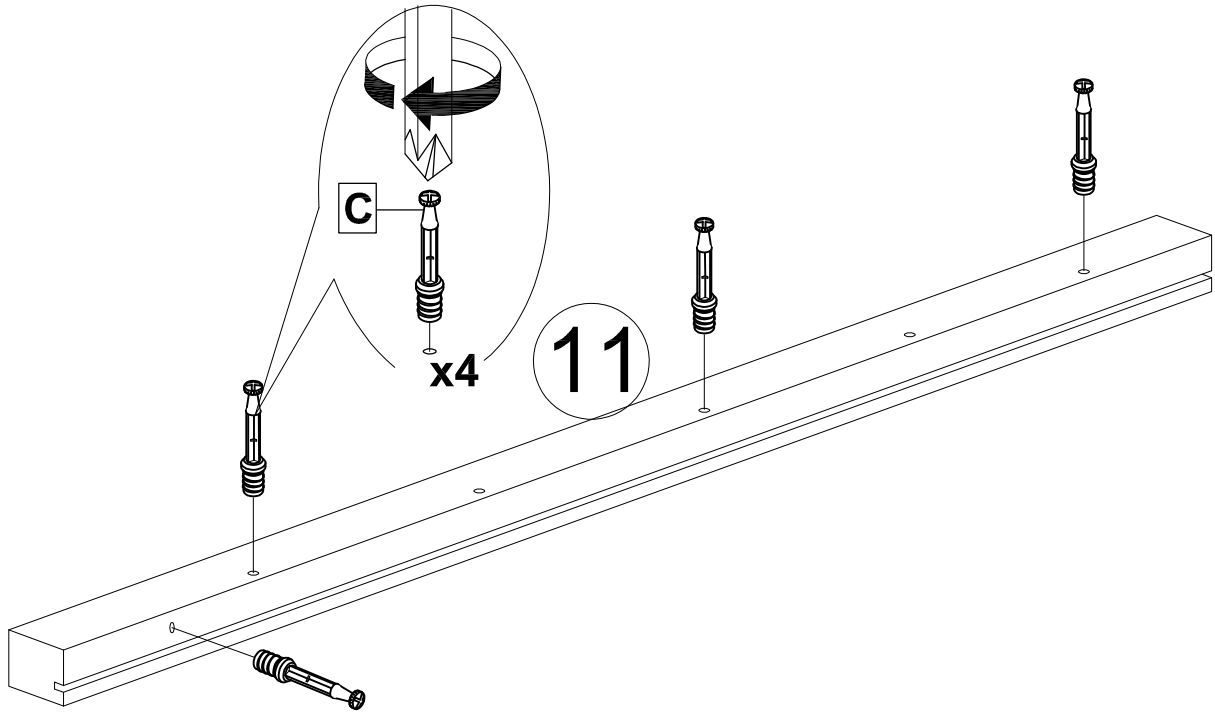
**STEP 12**

C		BOLT 0903 SV	4
---	---	--------------	---






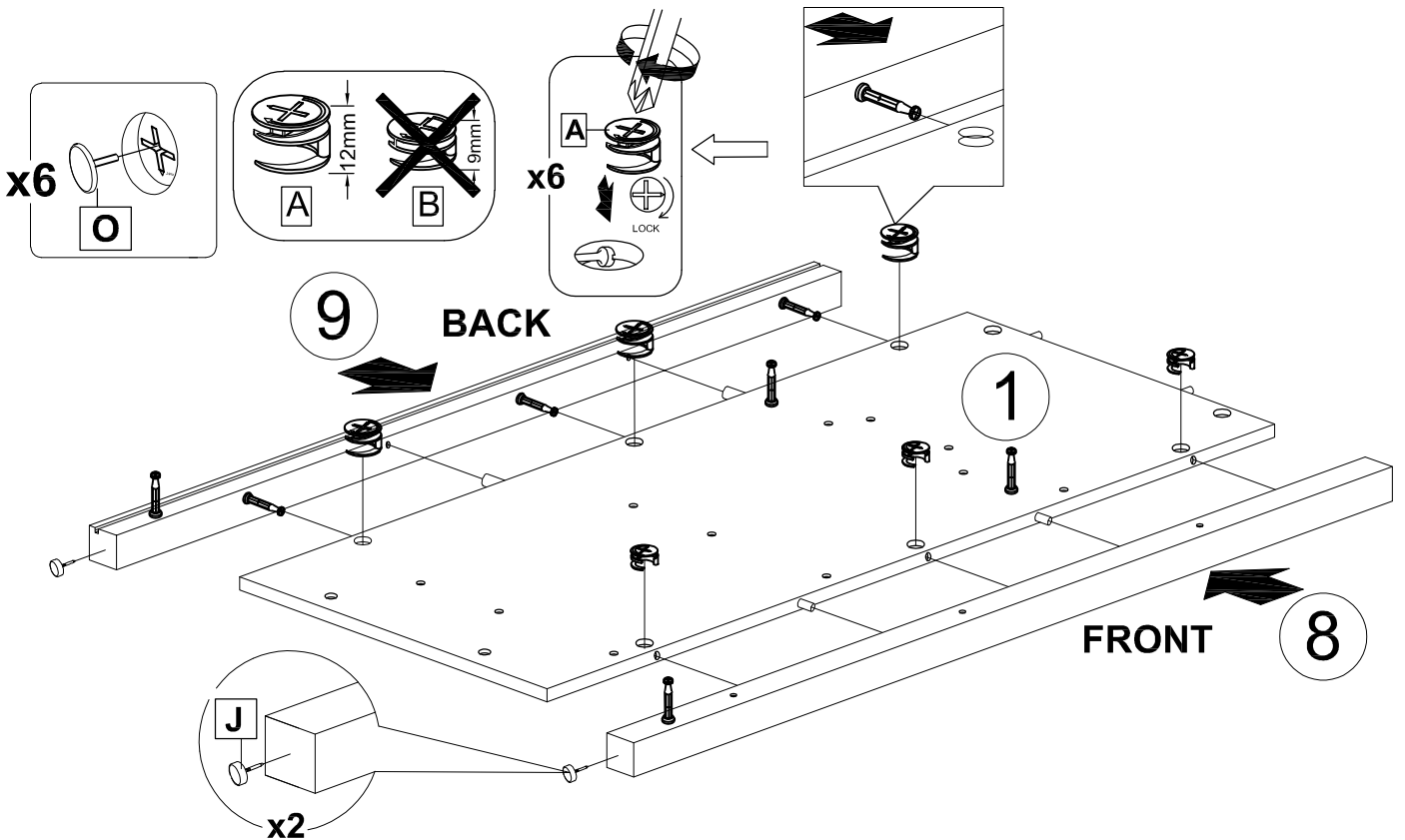
# STEP 13

C		BOLT 0903 SV	4
---	---	--------------	---




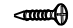
# STEP 14

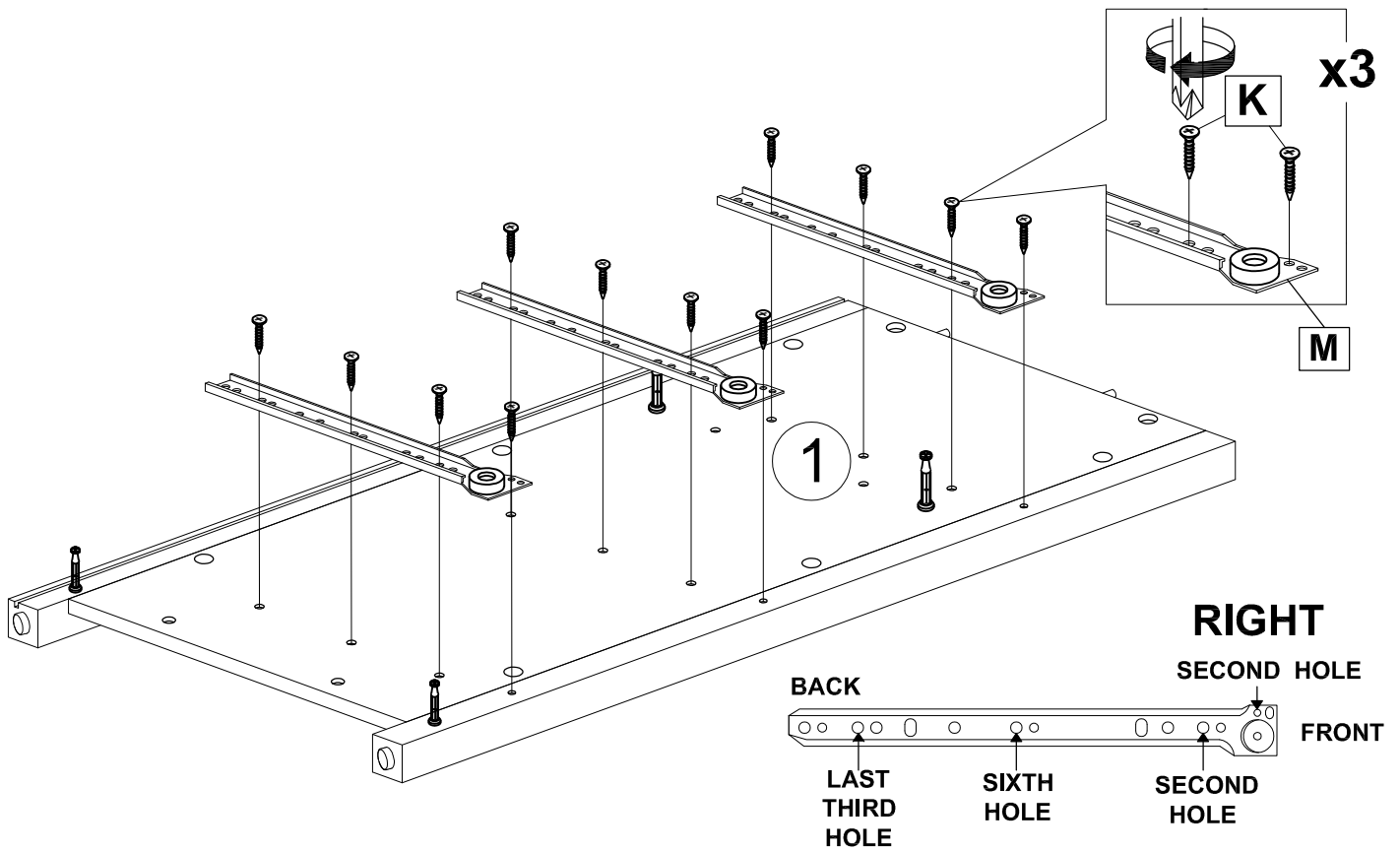
A		CAM 1633 SV	6
J		LEG COVER	2
O		PVC CAP 17MM	6




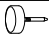



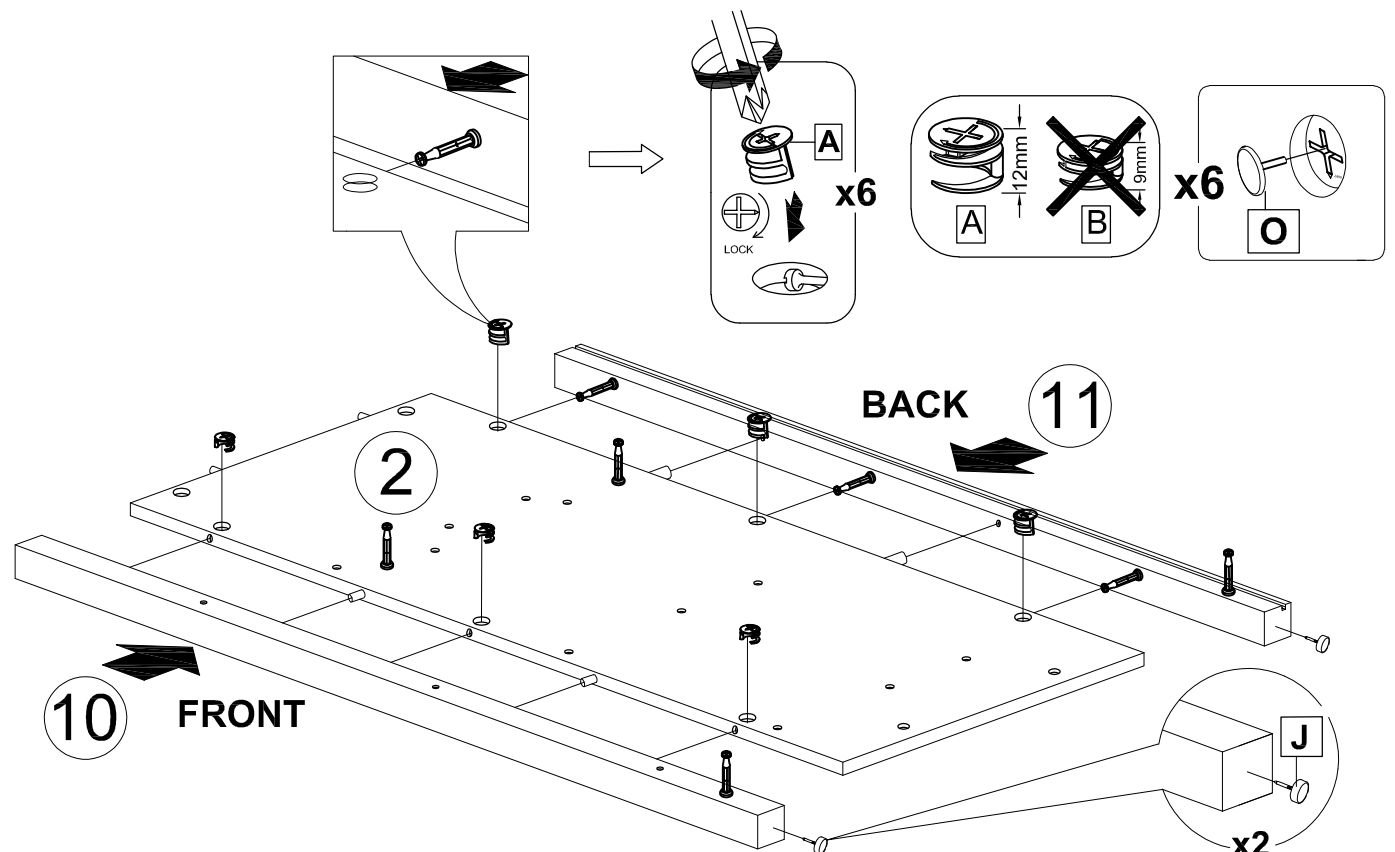
# STEP 15

M		METAL SLIDE RIGHT	3
K		SCREW M3.5 x 12MM	12





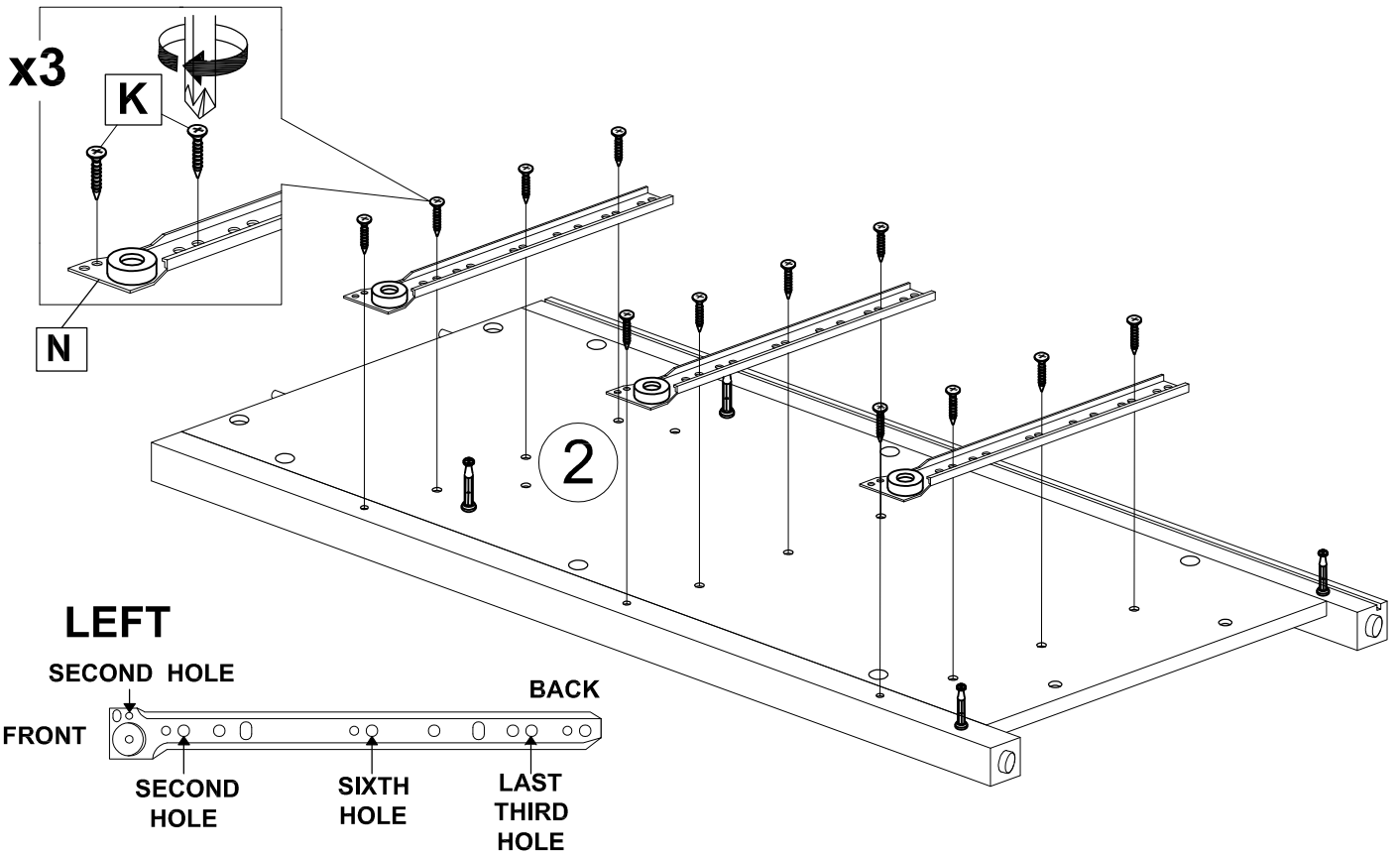
# STEP 16

A		CAM 1633 SV	6
J		LEG COVER	2
O		PVC CAP 17MM	6




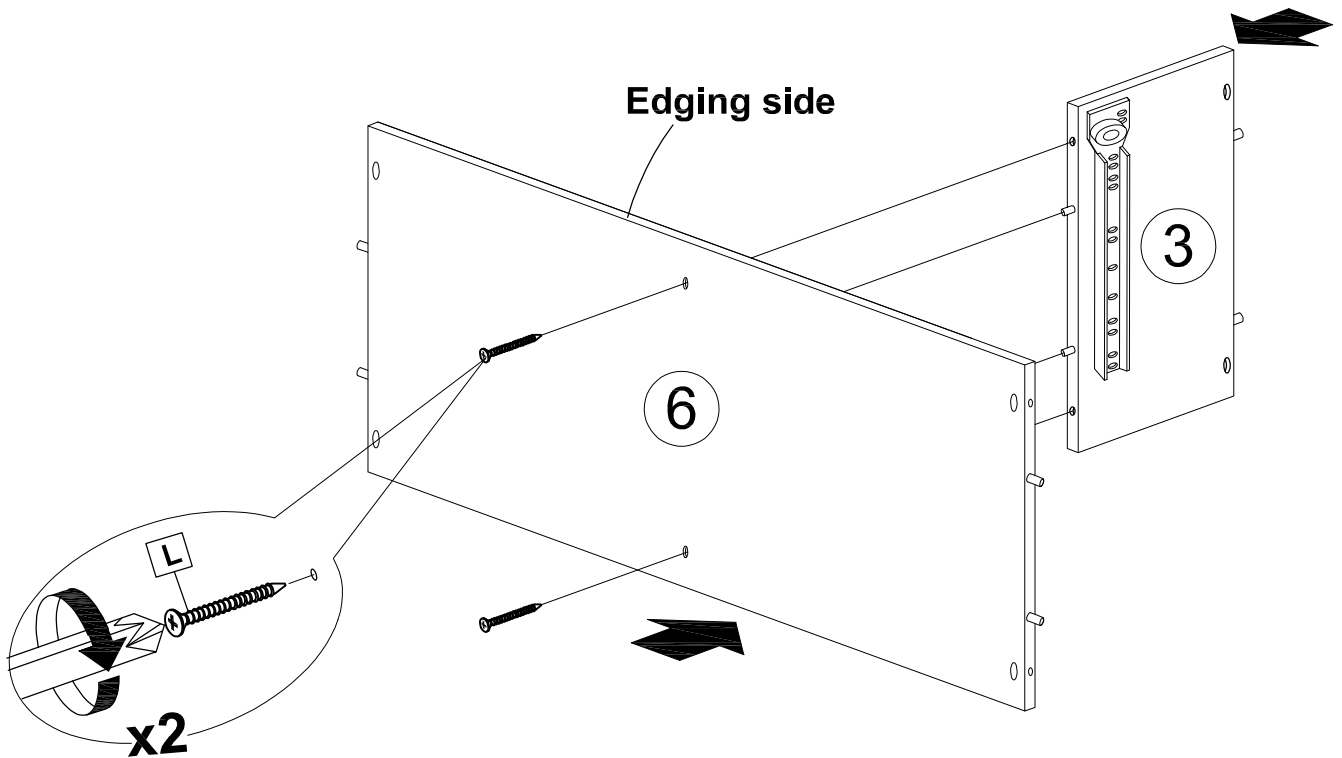
# STEP 17

N		METAL SLIDE LEFT	3
K		SCREW M3.5 x 12MM	12





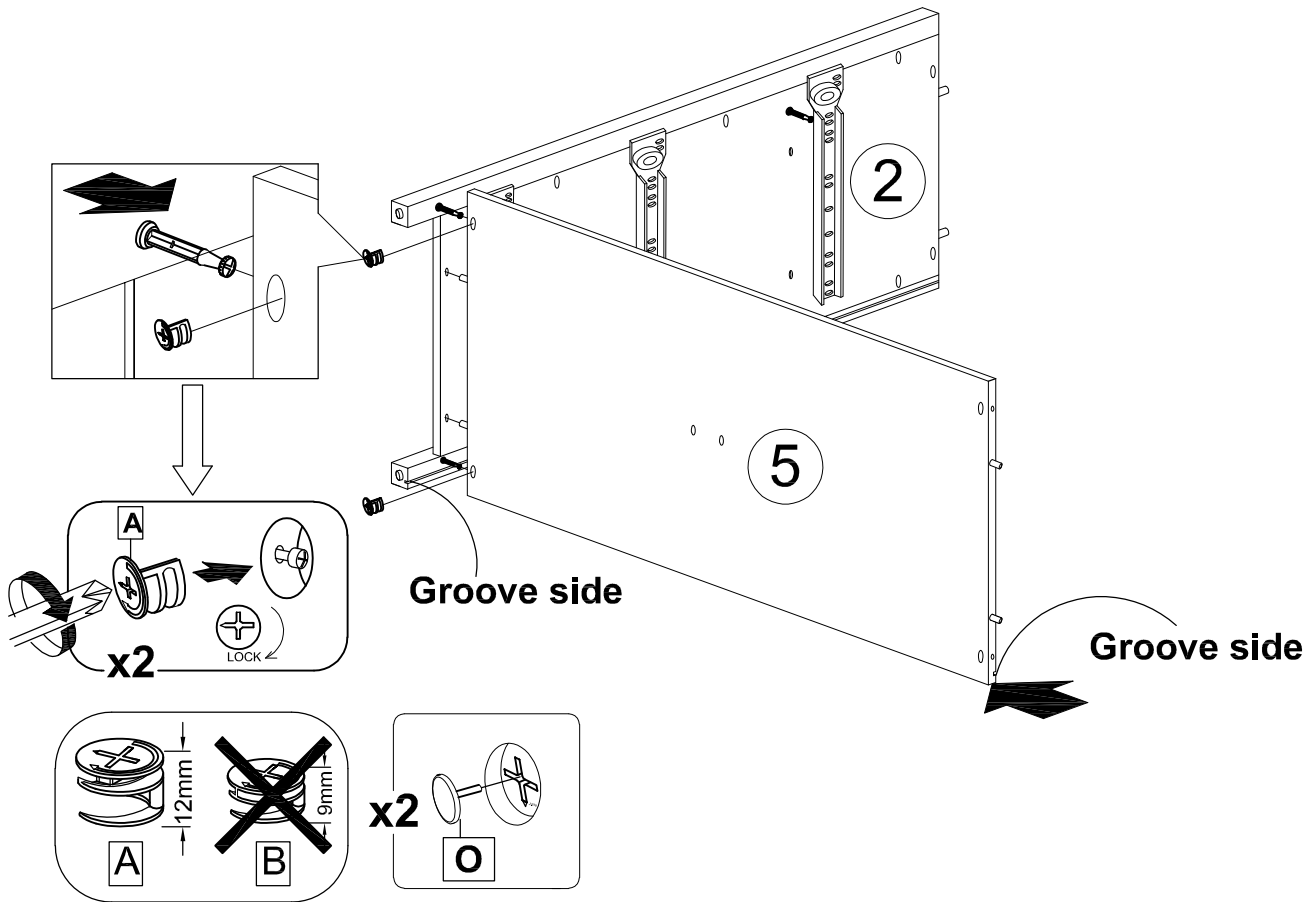
# STEP 18

L		SCREW M8 x 38MM	2
---	---	-----------------	---


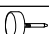


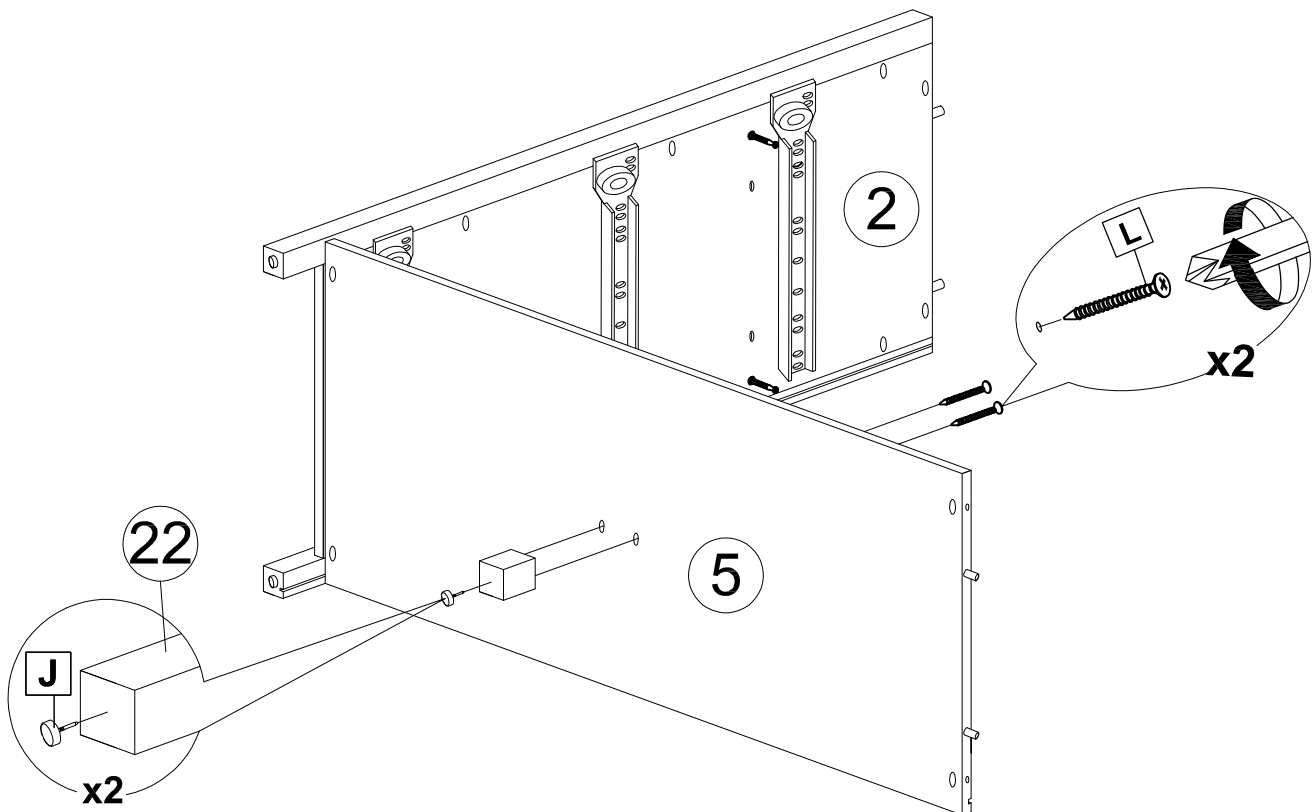
**STEP 19**

A		CAM 1633 SV	2
O		PVC CAP 17MM	2





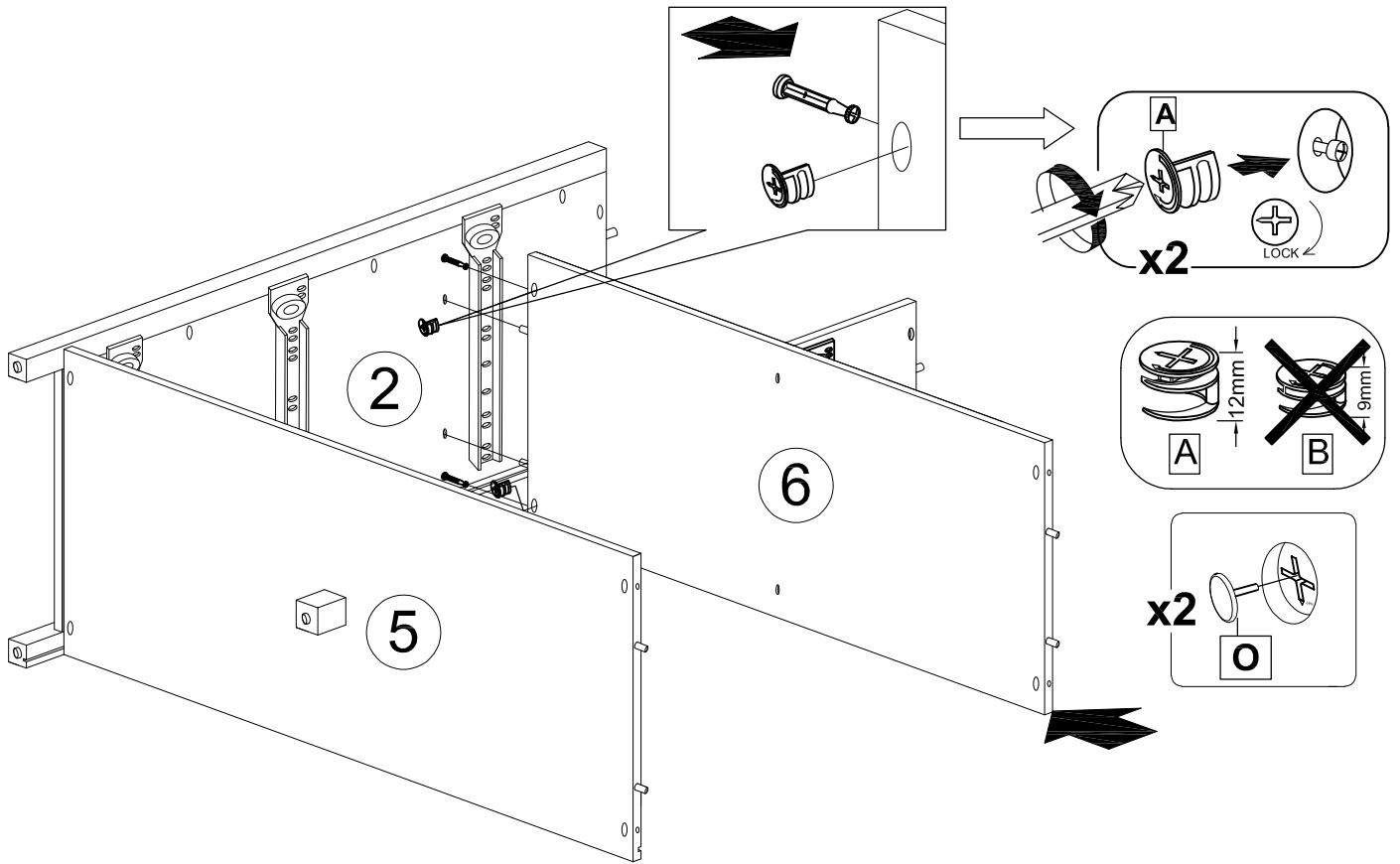
**STEP 20**

L		SCREW M8 x 38MM	2
J		LEG COVER	1





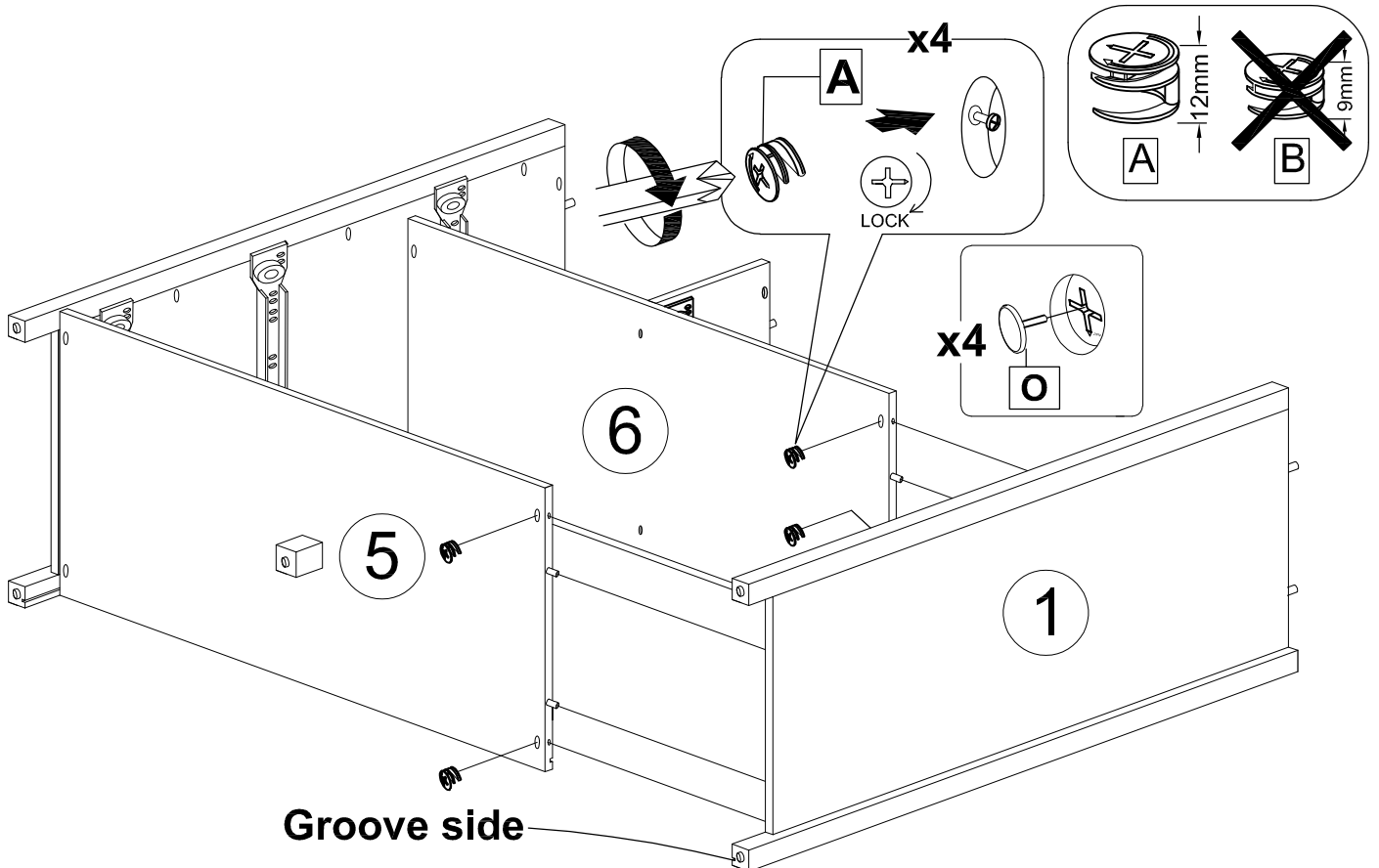
## STEP 21

A		CAM 1633 SV	2
O		PVC CAP 17MM	2



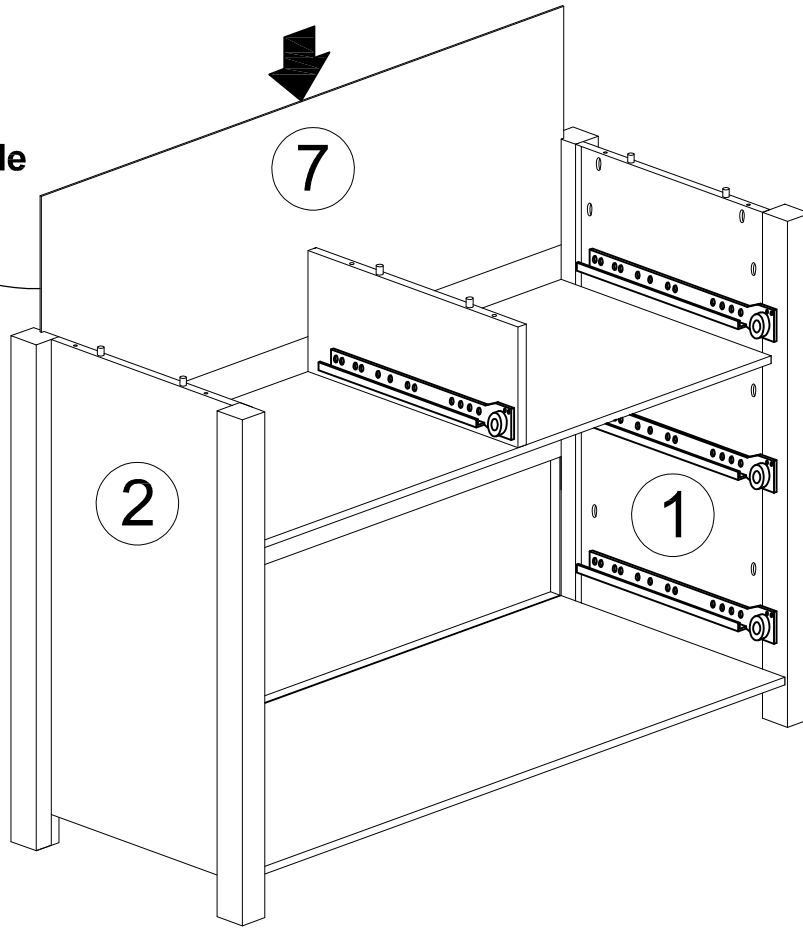
## STEP 22

A		CAM 1633 SV	4
O		PVC CAP 17MM	4





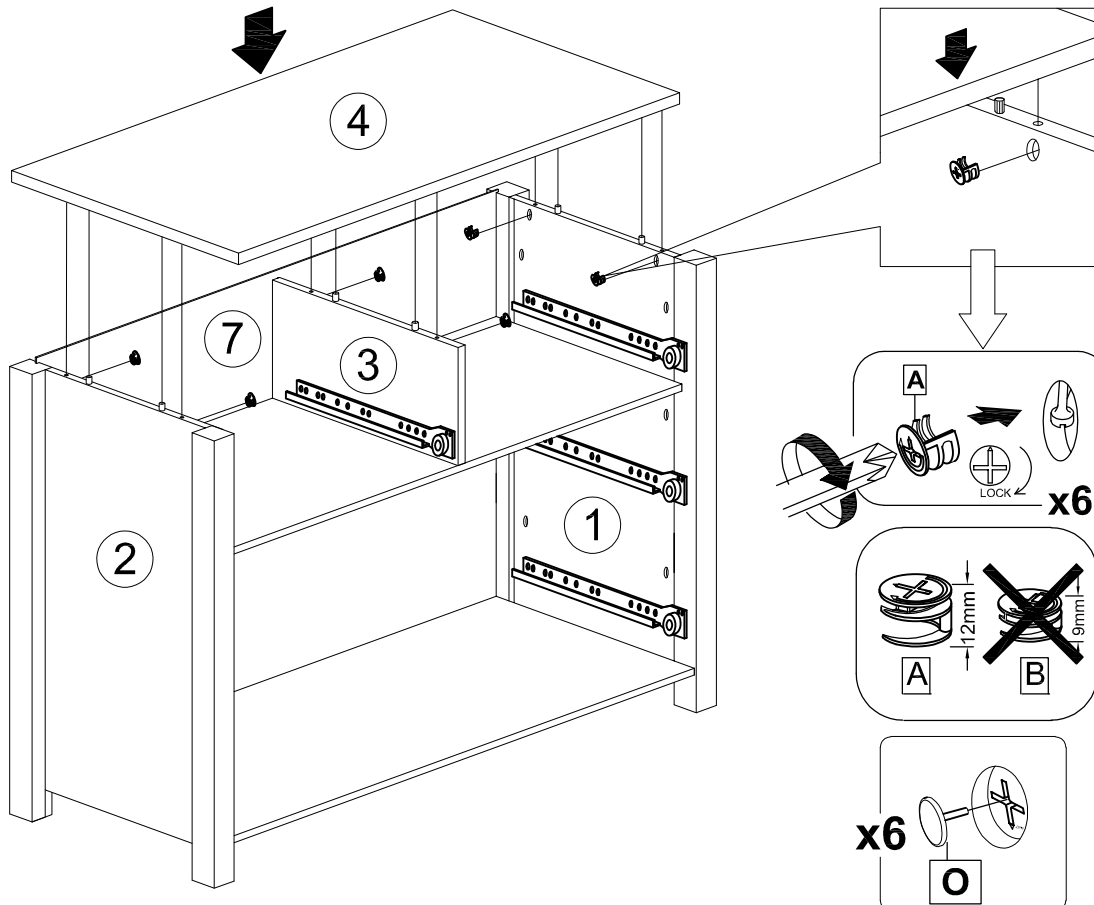
**STEP 23**

**Binding tape facing back side**






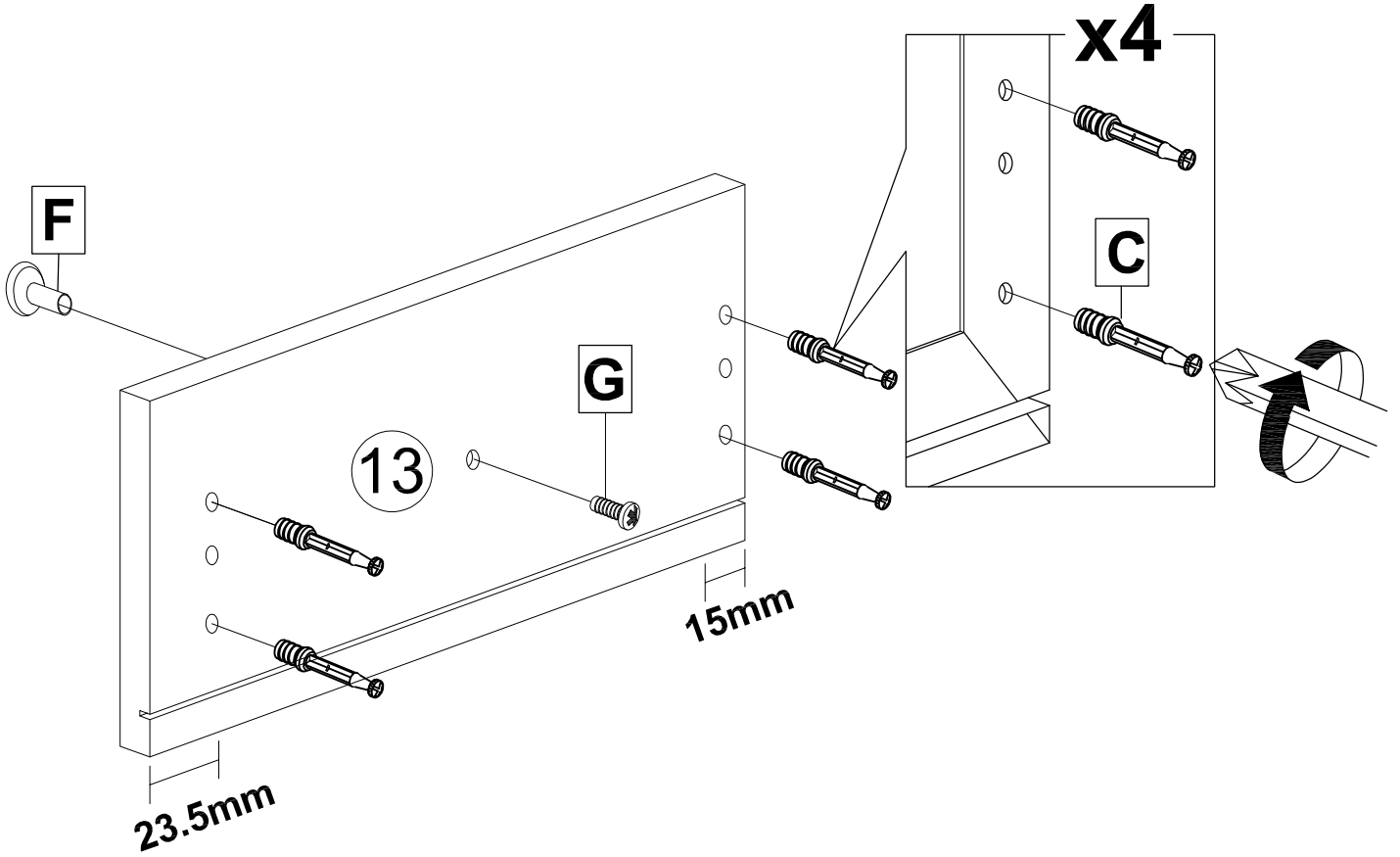
**STEP 24**

A		CAM 1633 SV	6
O		PVC CAP 17MM	6






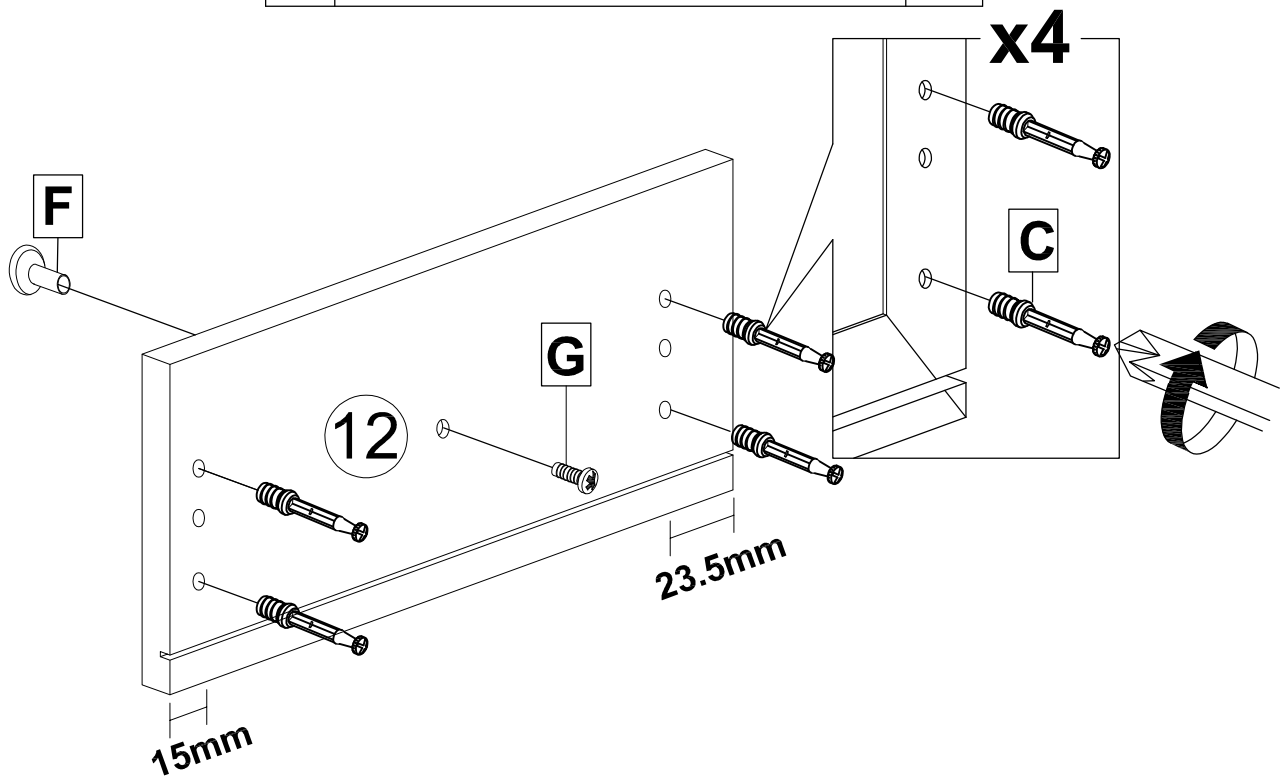
### STEP 25

C		BOLT 0903 SV	4
F		KNOB	1
G		SCREW M4 x 10MM	1

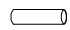



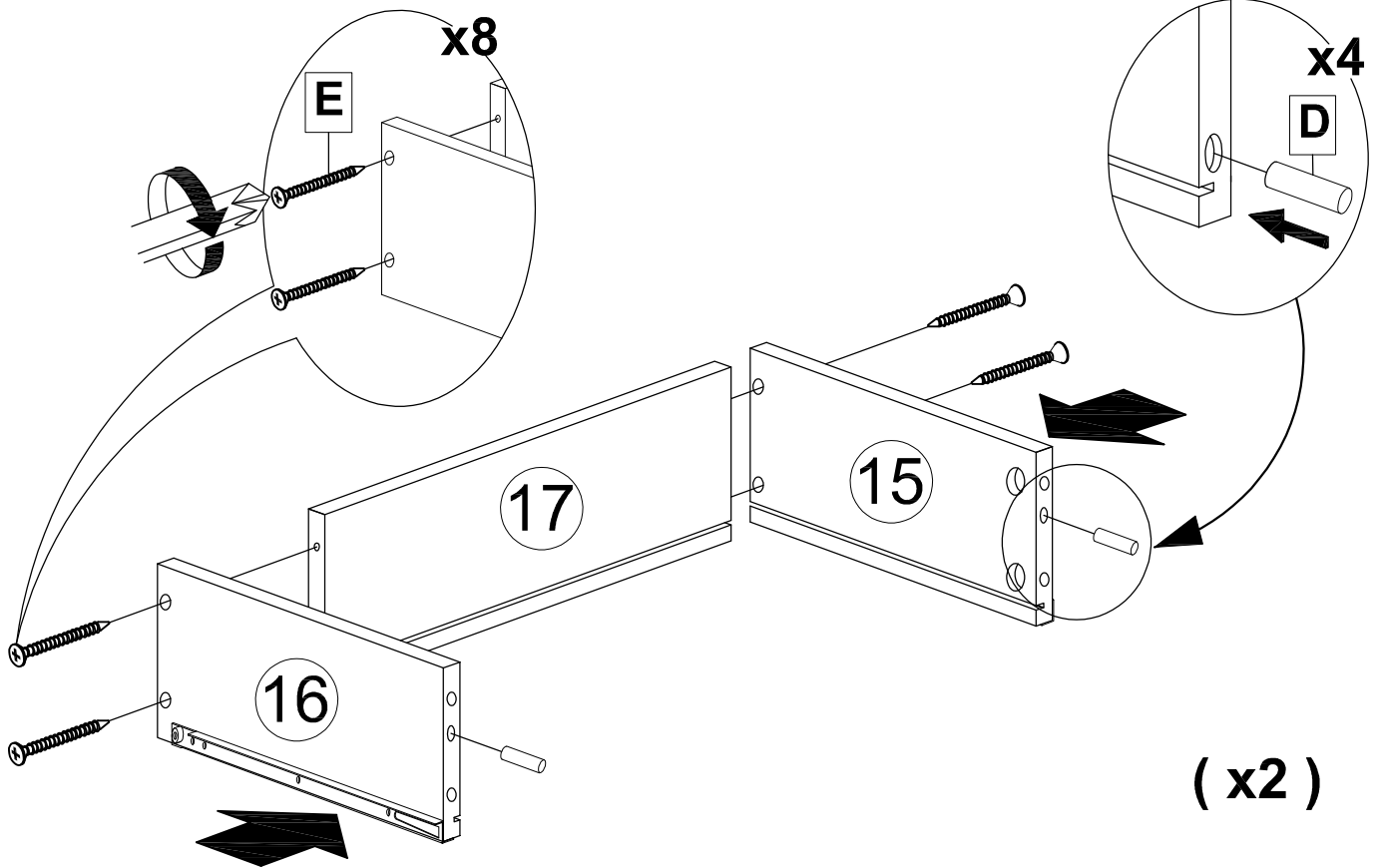
### STEP 26

C		BOLT 0903 SV	4
F		KNOB	1
G		SCREW M4 x 10MM	1

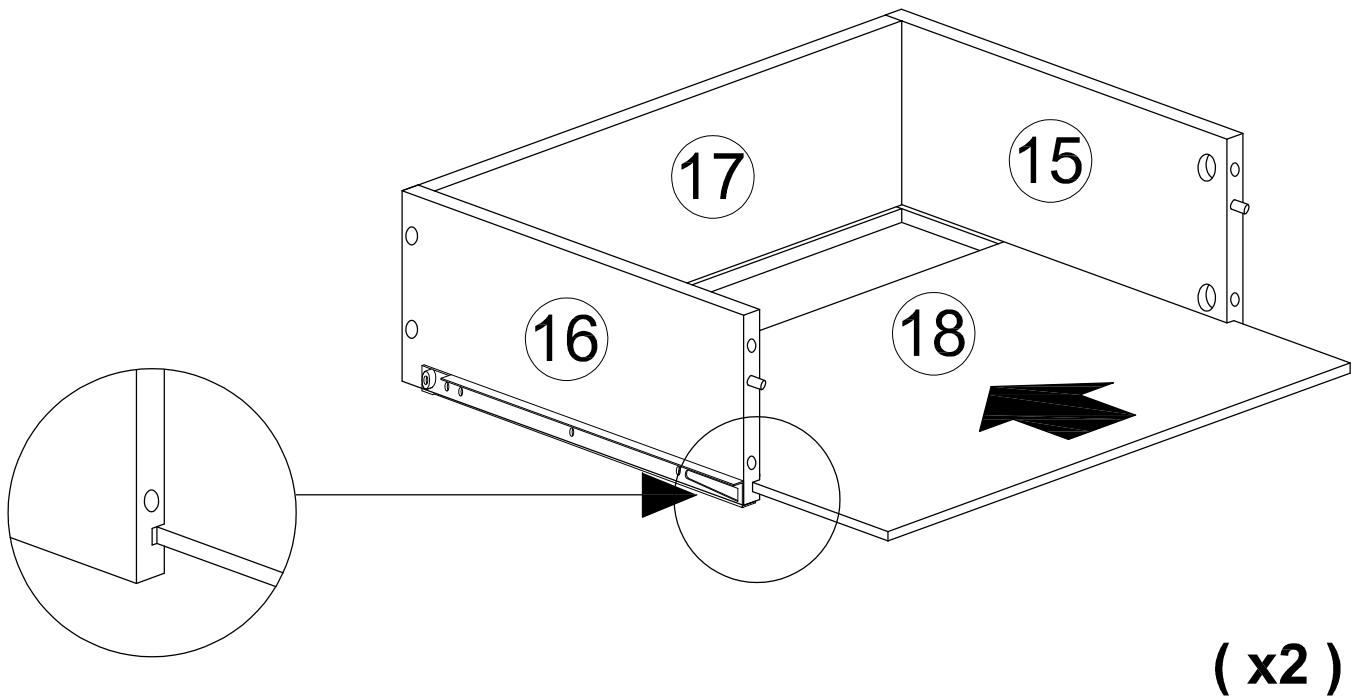


**STEP 27**



D		METAL DOWEL DIA 6 x 30MM	4
E		SCREW M3.5 x 25MM	8

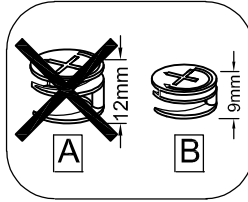
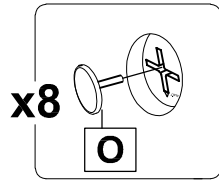


**STEP 28**

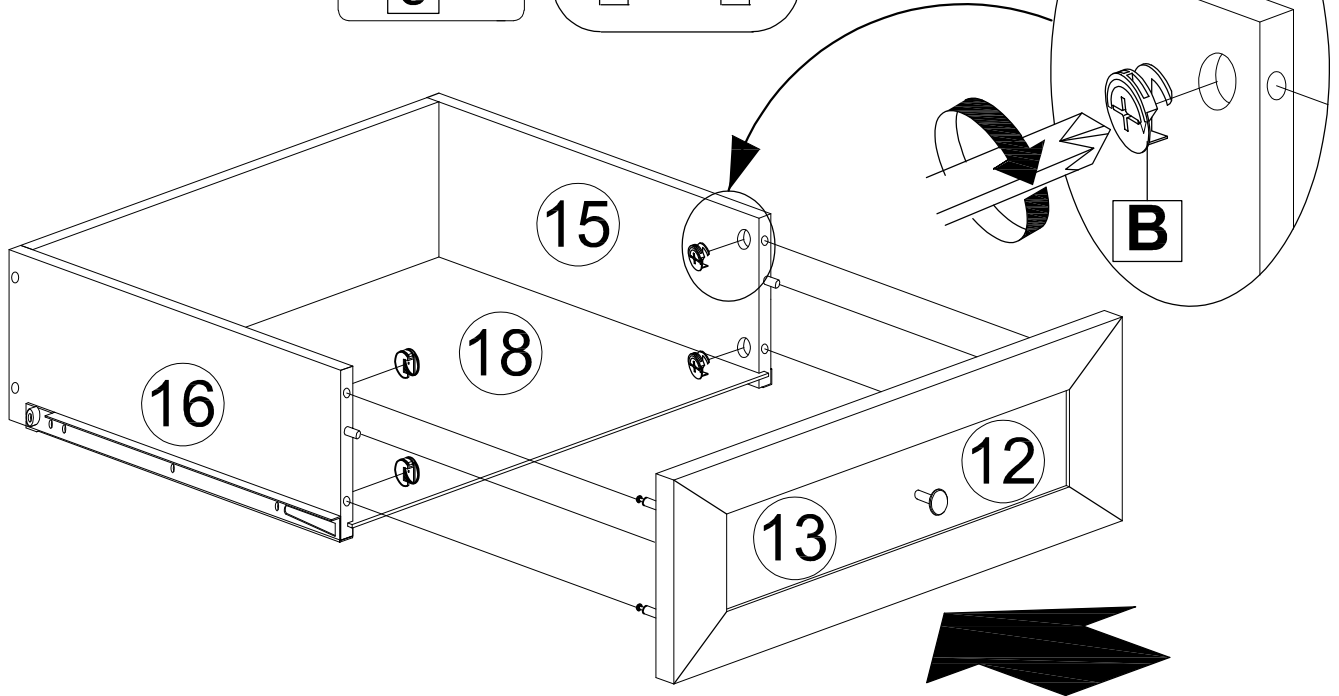


### STEP 29




B		CAM 1238 SV	8
O		PVC CAP 17MM	8

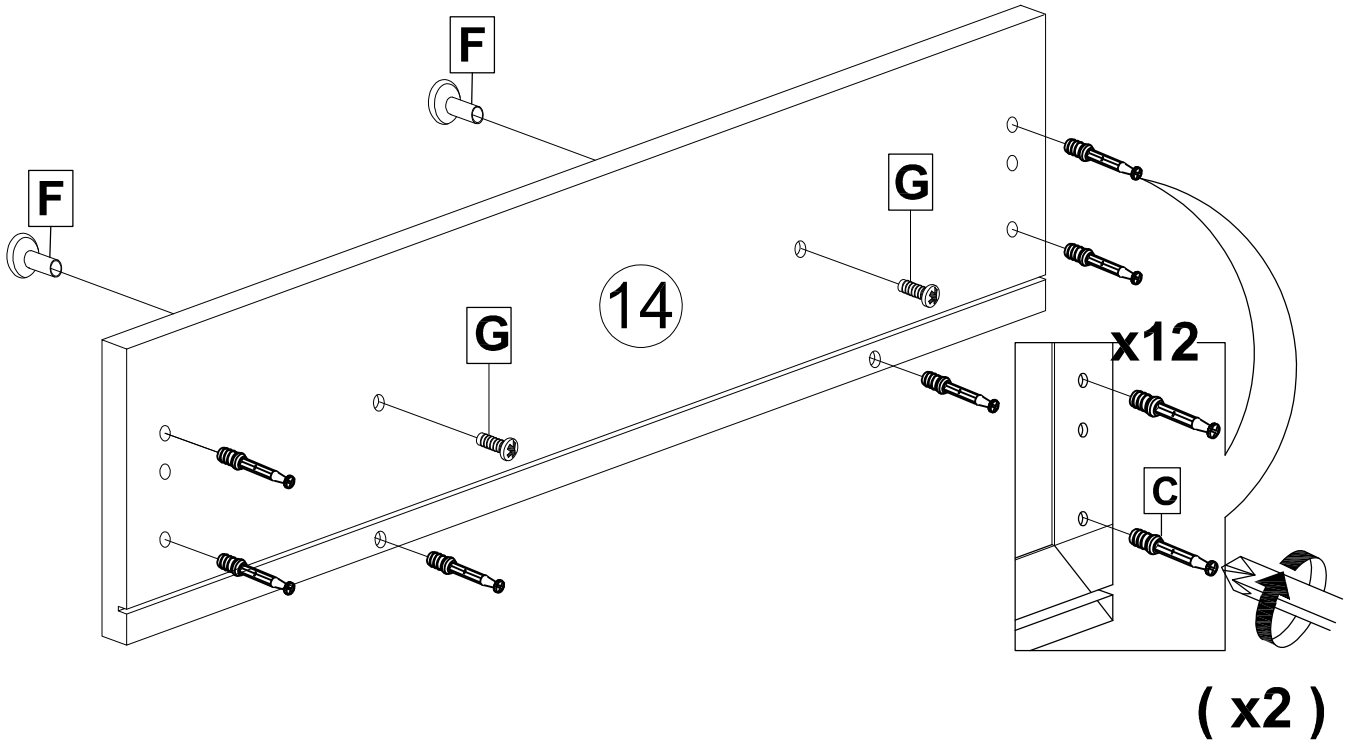


x8



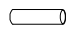

### STEP 30

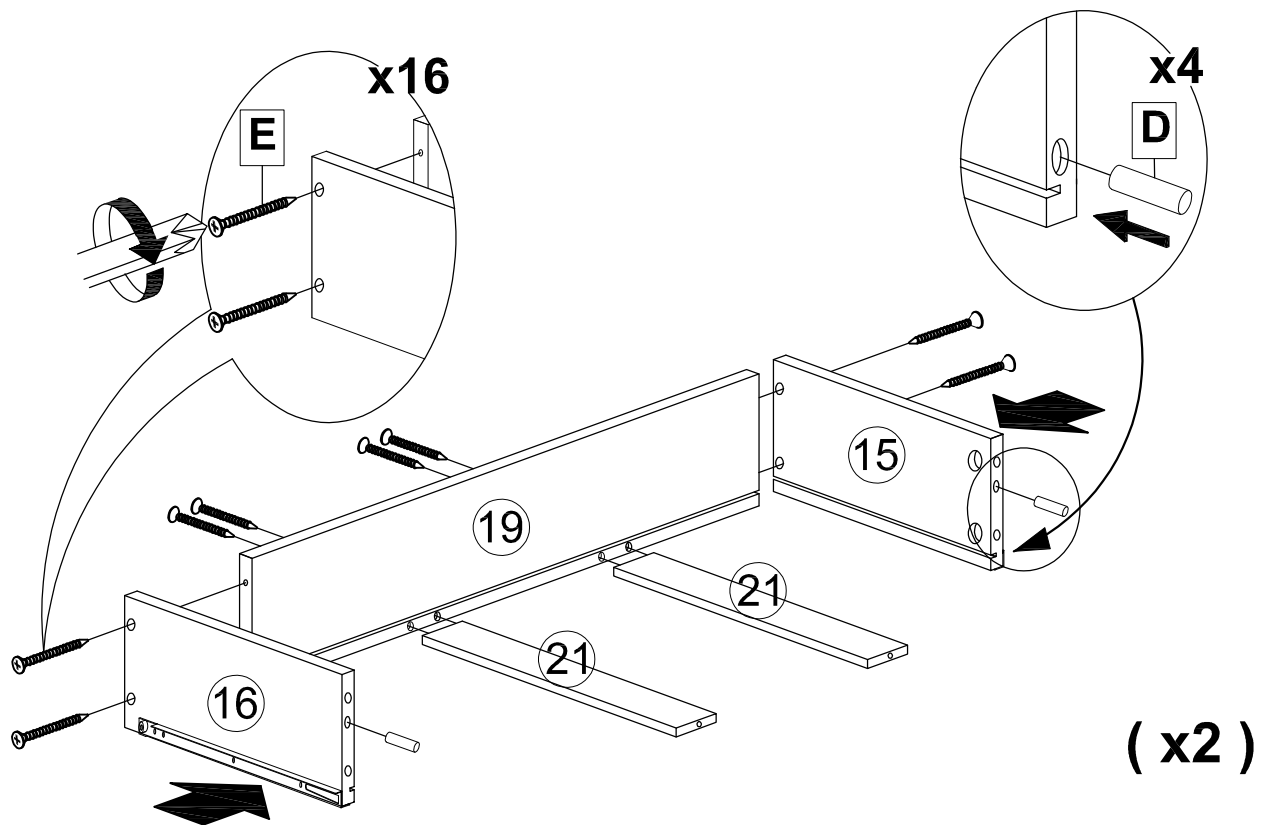
C		BOLT 0903 SV	12
F		KNOB	4
G		SCREW M4 x 10MM	4



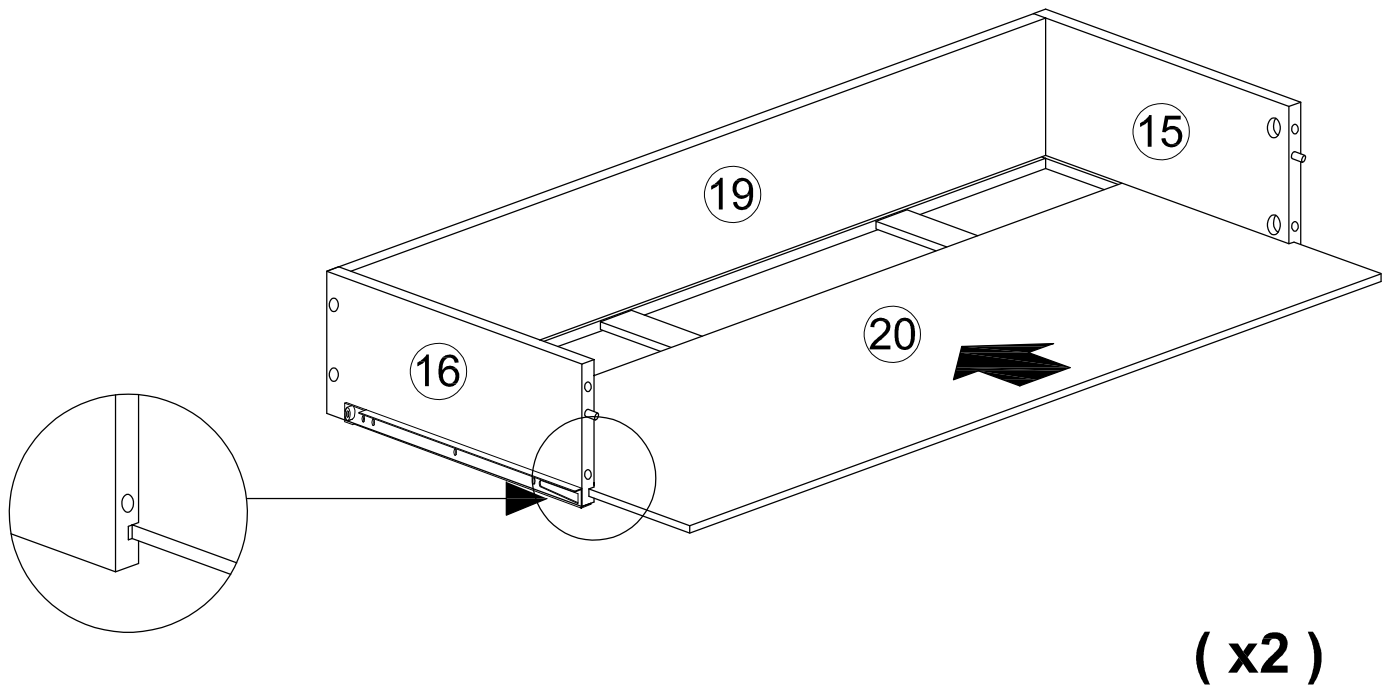


### STEP 31



D		METAL DOWEL DIA 6 x 30MM	4
E		SCREW M3.5 x 25MM	16

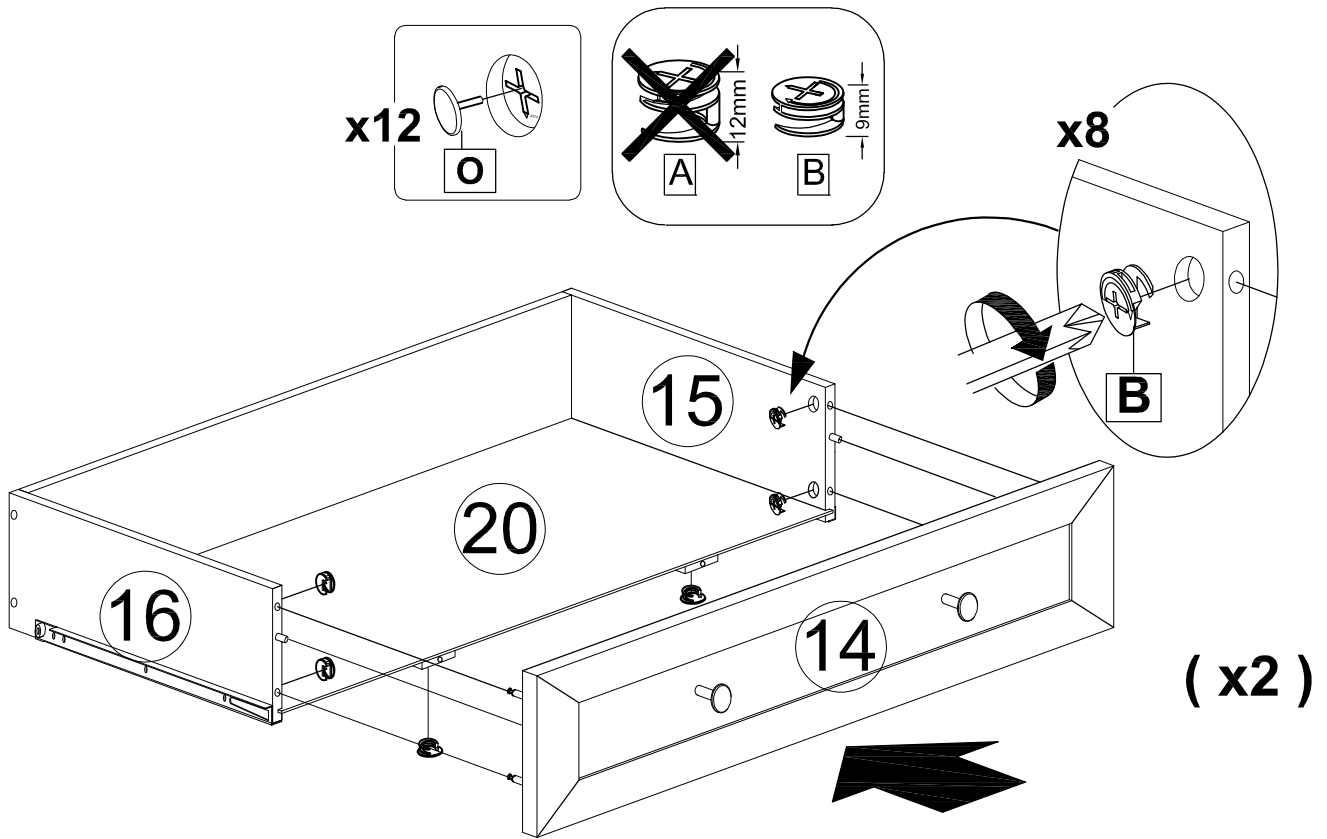


### STEP 32

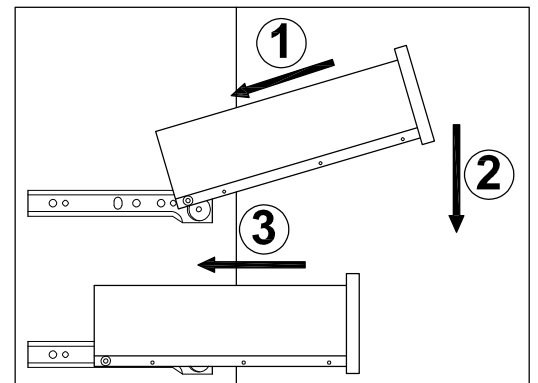
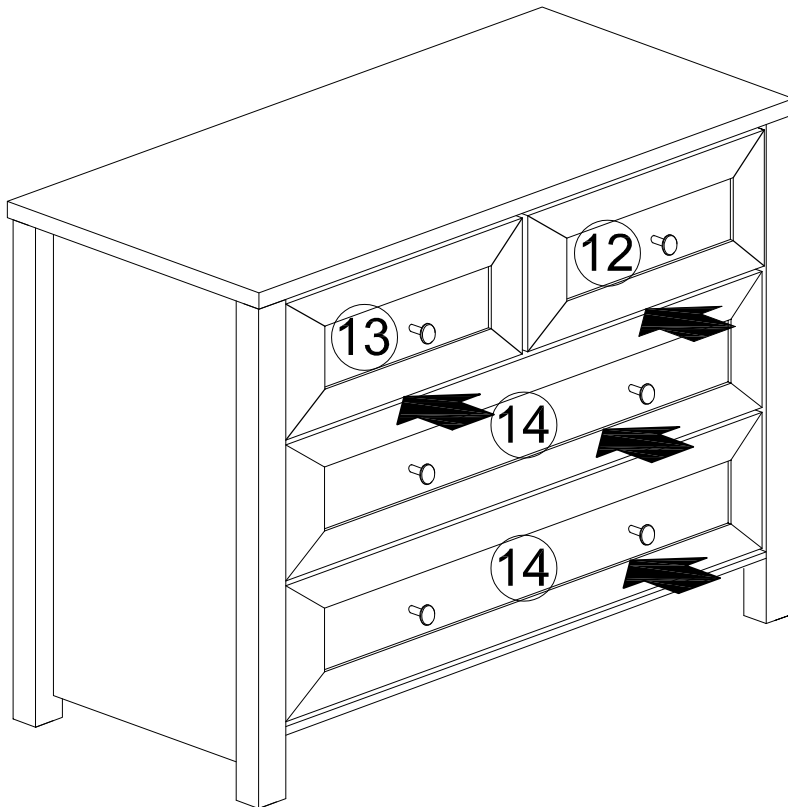


### STEP 33



B		CAM 1238 SV	12
O		PVC CAP 17MM	12

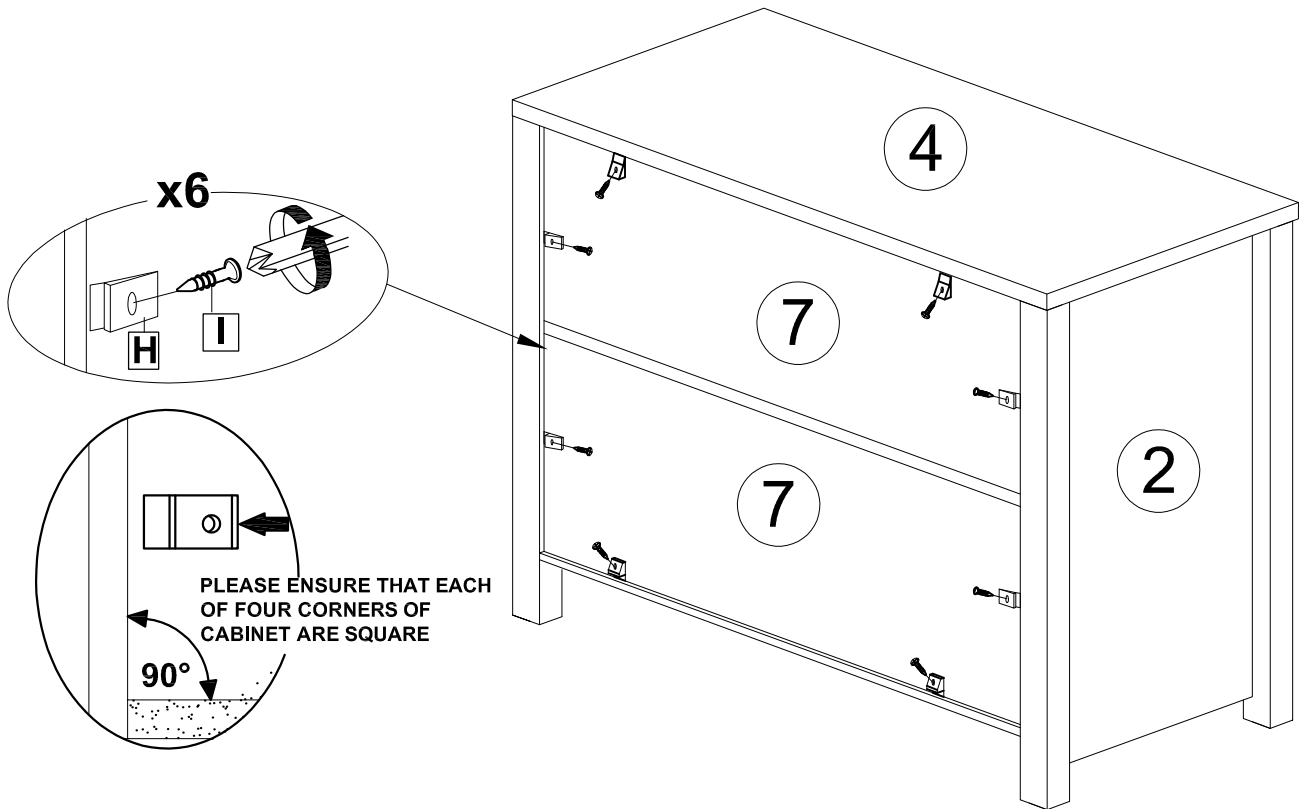


### STEP 34




## STEP 35

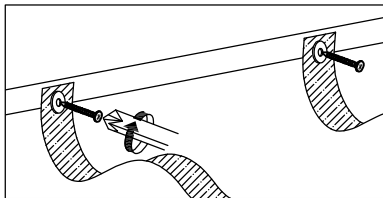
H		BACKPLY STOPPER	6
I		SCREW M3 x 20MM	6



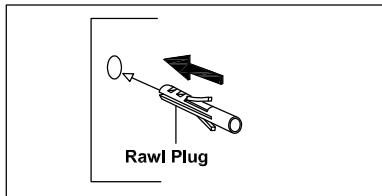
## STEP 36

P		ANTI TIP STRAP	2
---	---	----------------	---

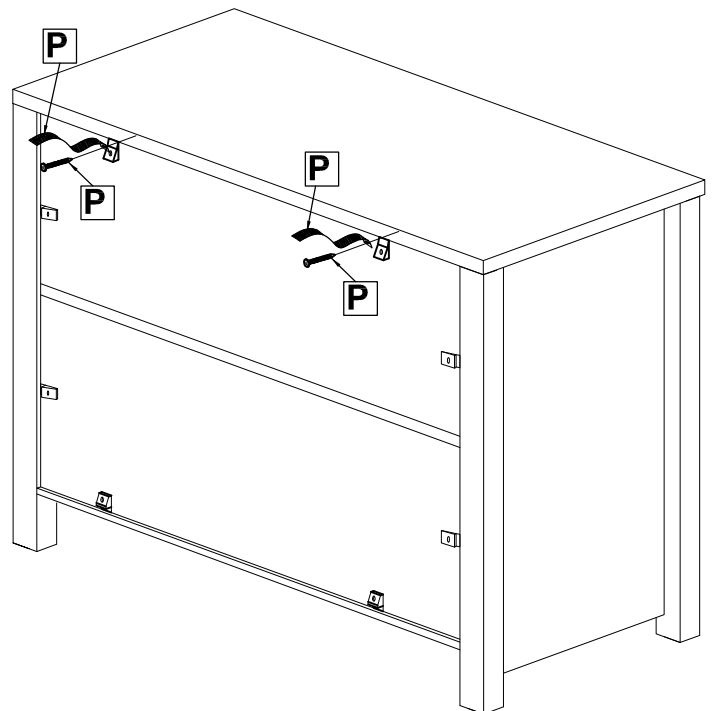
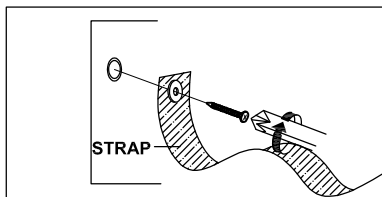
**STEP 1 :**  
Insert the screw in the top panel of your furniture



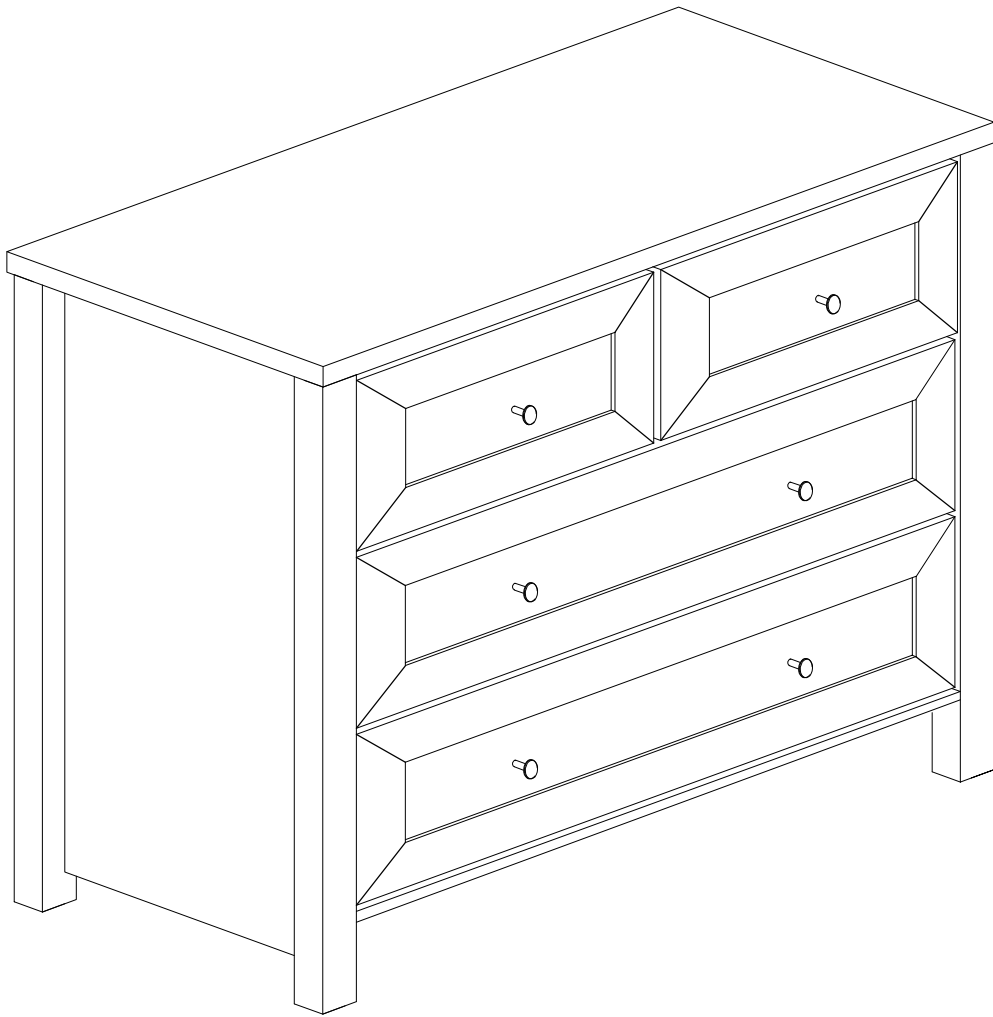
**STEP 2 :**  
Make a hole on the wall and insert the wall plug in



**STEP 3 :**  
Insert the screw in the wall plug hole

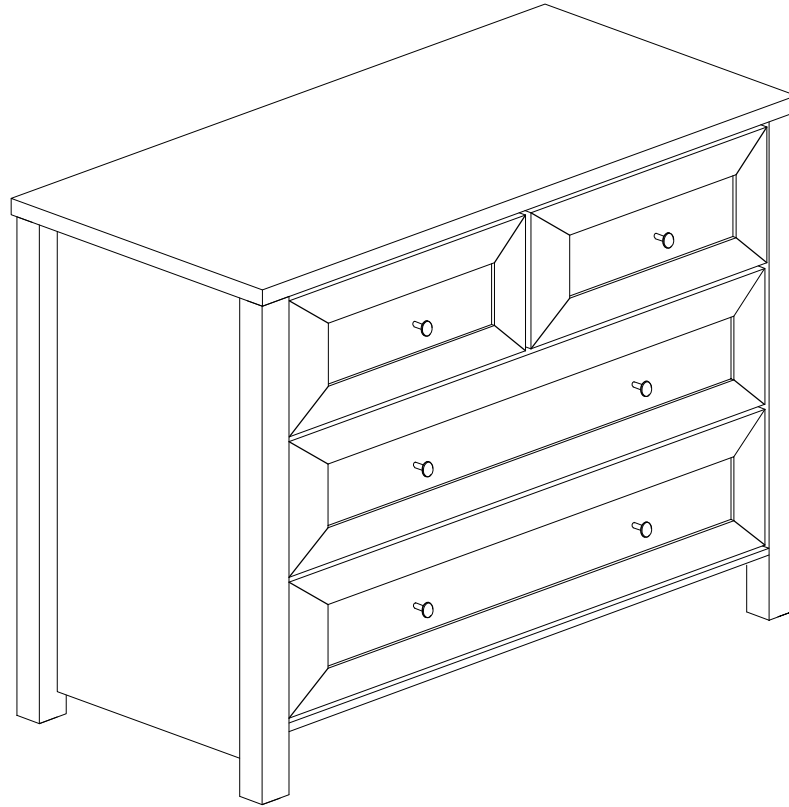


COMPLETED



# MAINTENANCE AND CARE GUIDE

## IVES BLACK CHEST IVES WHITE CHEST



### Maintenance:

- To clean and care for your furniture.
- Use a soft, clean cloth that **will** not scratch the surface when dusting.
- Use of furniture polishes is not necessary. Should you choose to use polishes, test first in an inconspicuous area.
- Using solvents of any kind on your furniture may damage the finish.
- Never use water to clean your furniture as it may cause damage to the finish.
- Always use coasters under beverage glasses and flowerpots.
- Liquid spills should be removed immediately. Using a soft clean cloth, blot the spill gently. Avoid rubbing.
- Always use protective pads under hot dishes and plates. Heat can cause chemical changes that may create spotting within the furniture finish.
- Stains or marks from crayons or ink markers **will** be difficult to remove.
- In the event that your furniture is stained or otherwise damaged during use, we recommend that you call a professional to repair your furniture.
- Check bolts/screws periodically and tighten them if necessary.

### Care and cleaning:

- It is best to keep your furniture in a climate-controlled environment. Extreme temperature and humidity changes can cause fading, warping, shrinking and splitting of wood. It is advised to keep furniture away from direct sunlight as sun may damage the finish.
- Proper care and cleaning at home **will** extend the **life** of your purchase. Following these important and helpful tips **will** enhance your furniture as it ages.