

LPD HOME™

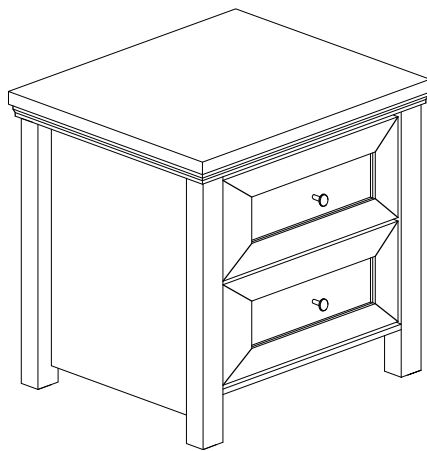
ASSEMBLY INSTRUCTION

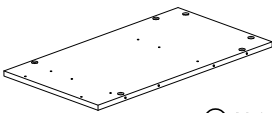
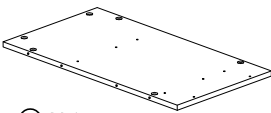
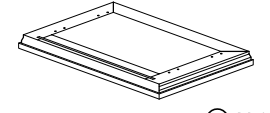
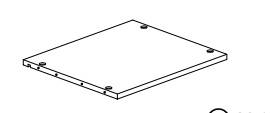
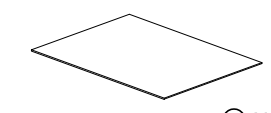
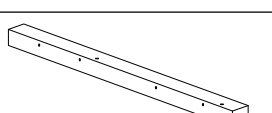
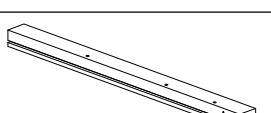
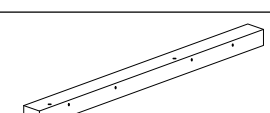
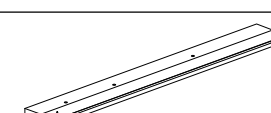
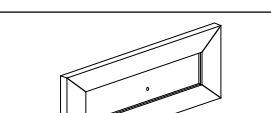



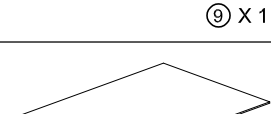
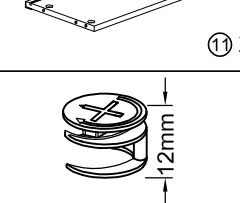
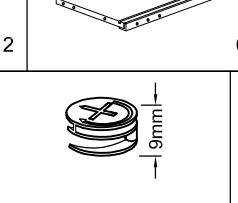
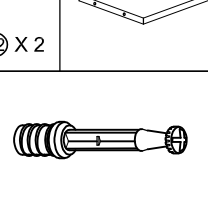
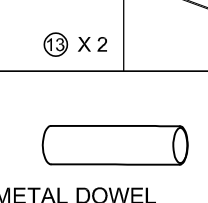
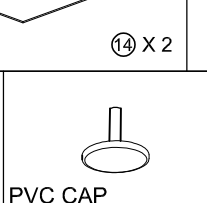
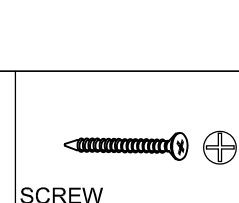
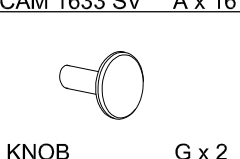
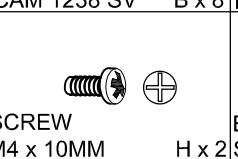
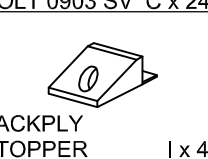
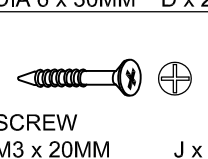
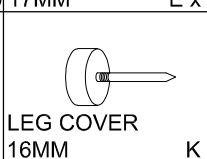
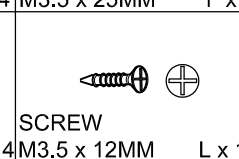
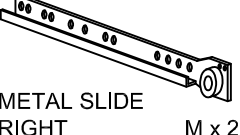
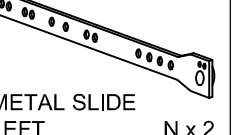
IVES BLACK BEDSIDE CABINET

IVES WHITE BEDSIDE CABINET

Please read before you continue further.

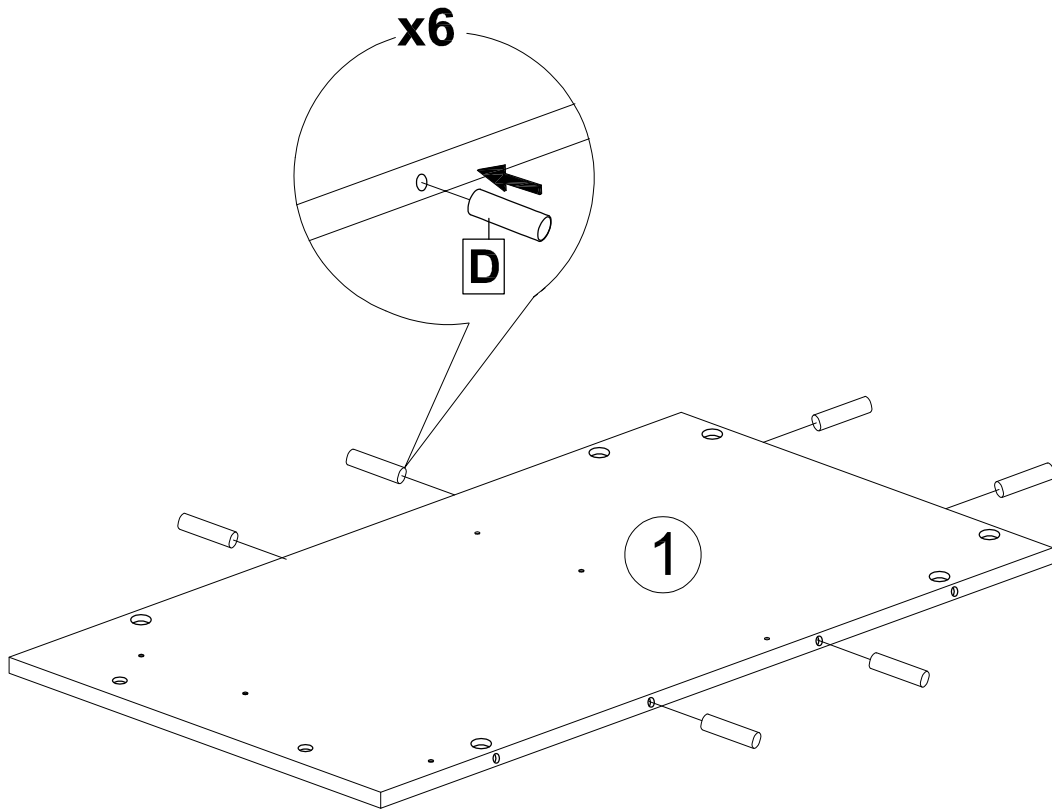
PLEASE KEEP THE ORIGINAL PACKAGING UNTIL THE ITEM IS FULLY ASSEMBLED AND IN PLACE. IN TIME UNLIKELY EVENT THAT YOU NEED TO RETURN YOUR PRODUCT. IT MUST BE RETURNED IN ITS ORIGINAL PACKAGING TO AVOID FURTHER DAMAGE. FAILURE TO FOLLOW THESE PROCEDURES, NO RETURNS WILL BE ACCEPTED.



 ① X 1	 ② X 1	 ③ X 1	 ④ X 1	 ⑤ X 1	
 ⑥ X 1	 ⑦ X 1	 ⑧ X 1	 ⑨ X 1	 ⑩ X 2	
 ⑪ X 2	 ⑫ X 2	 ⑬ X 2	 ⑭ X 2		
 CAM 1633 SV A x 16	 CAM 1238 SV B x 8	 BOLT 0903 SV C x 24	 METAL DOWEL DIA 6 x 30MM D x 20	 PVC CAP 17MM E x 24	 SCREW M3.5 x 25MM F x 8
 KNOB G x 2	 SCREW M4 x 10MM H x 2	 BACKPLY STOPPER I x 4	 SCREW M3 x 20MM J x 4	 LEG COVER 16MM K x 4	 SCREW M3.5 x 12MM L x 16
 METAL SLIDE RIGHT M x 2	 METAL SLIDE LEFT N x 2				

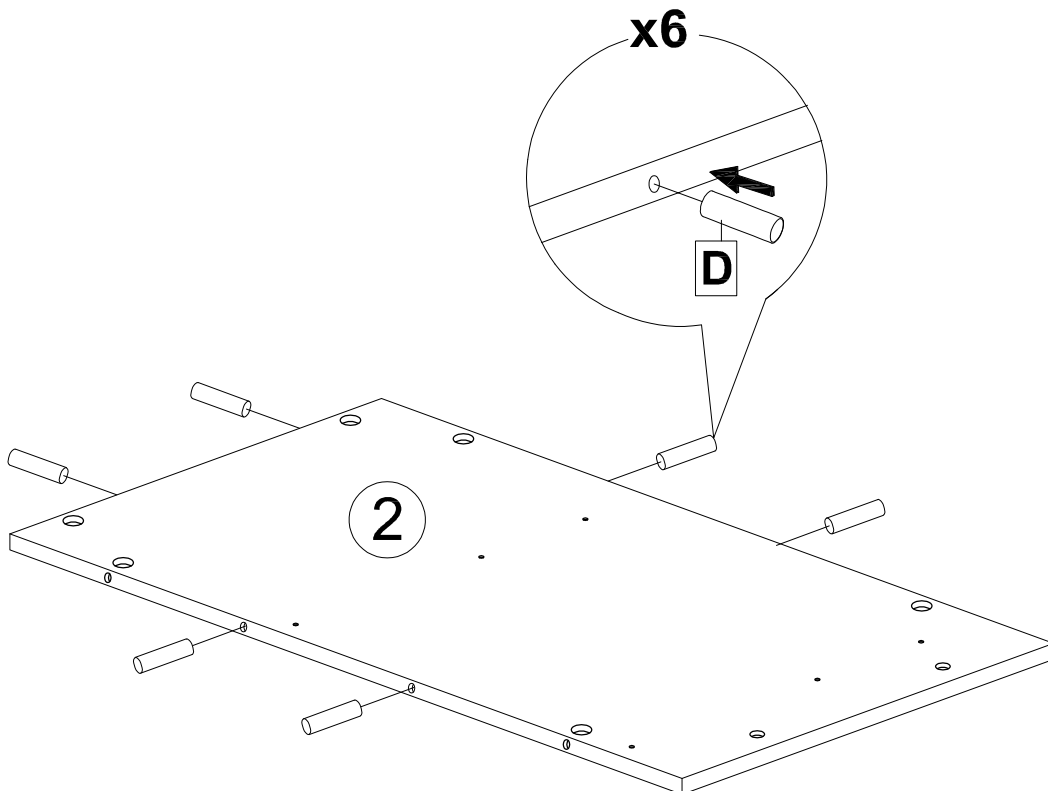
STEP 1

D		METAL DOWEL DIA 6 x 30MM	6
---	---	--------------------------	---




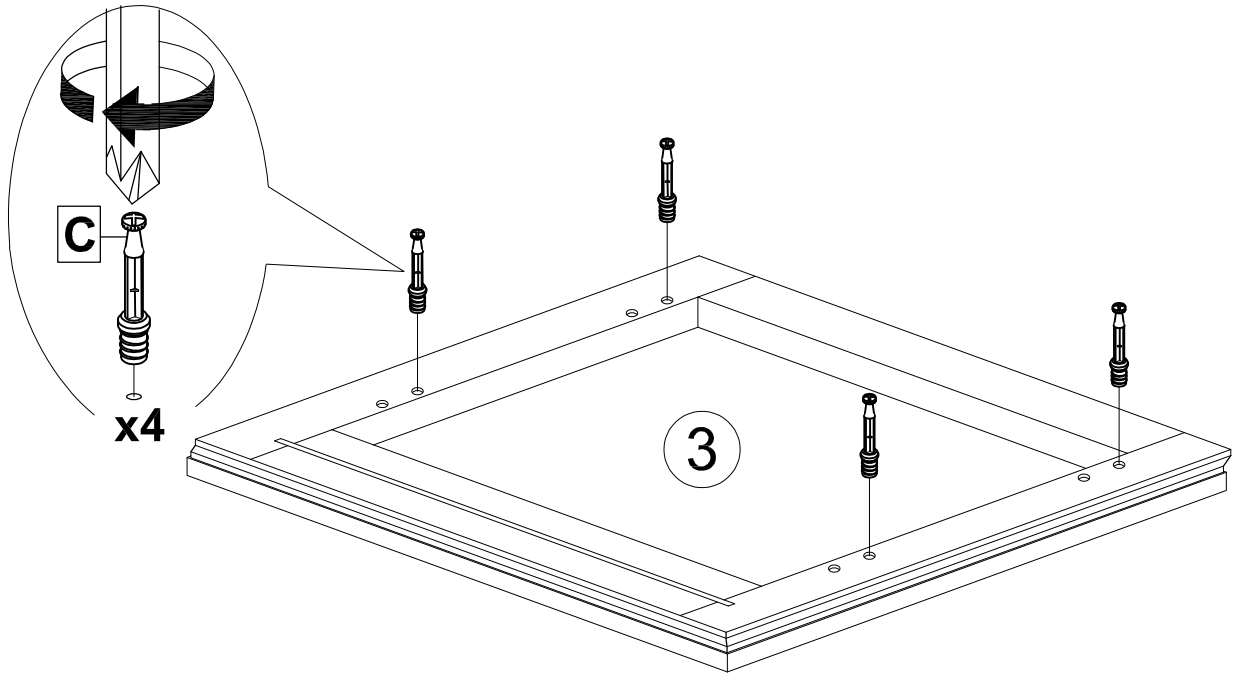
STEP 2

D		METAL DOWEL DIA 6 x 30MM	6
---	---	--------------------------	---



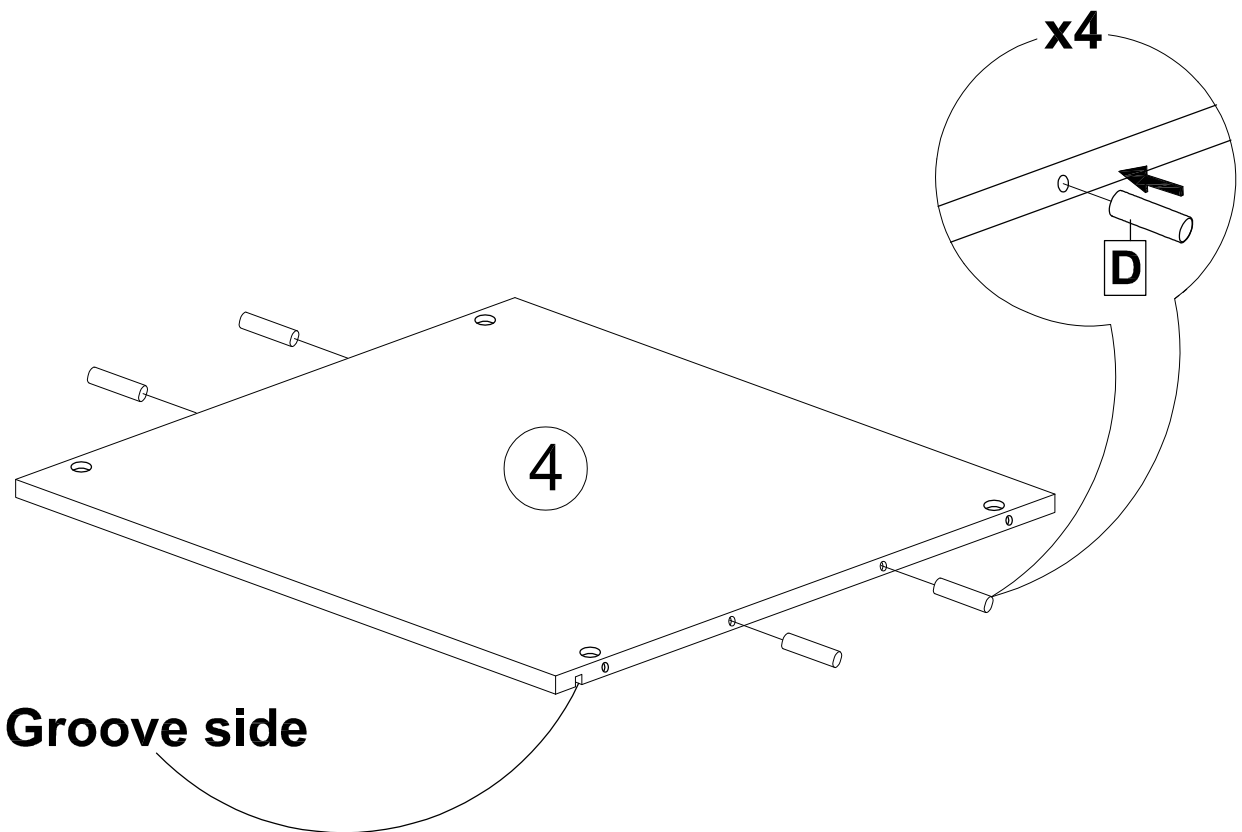
STEP 3

C		BOLT 0903 SV	4
---	---	--------------	---




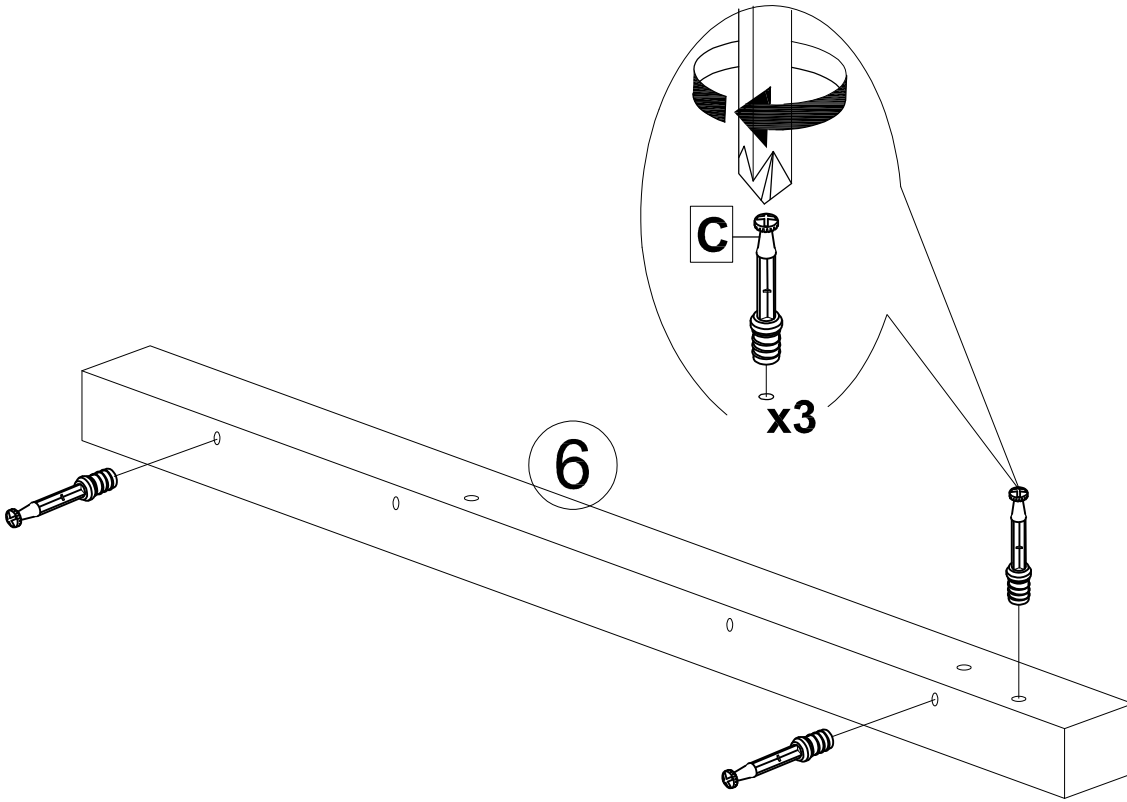
STEP 4

D		METAL DOWEL DIA 6 x 30MM	4
---	---	--------------------------	---




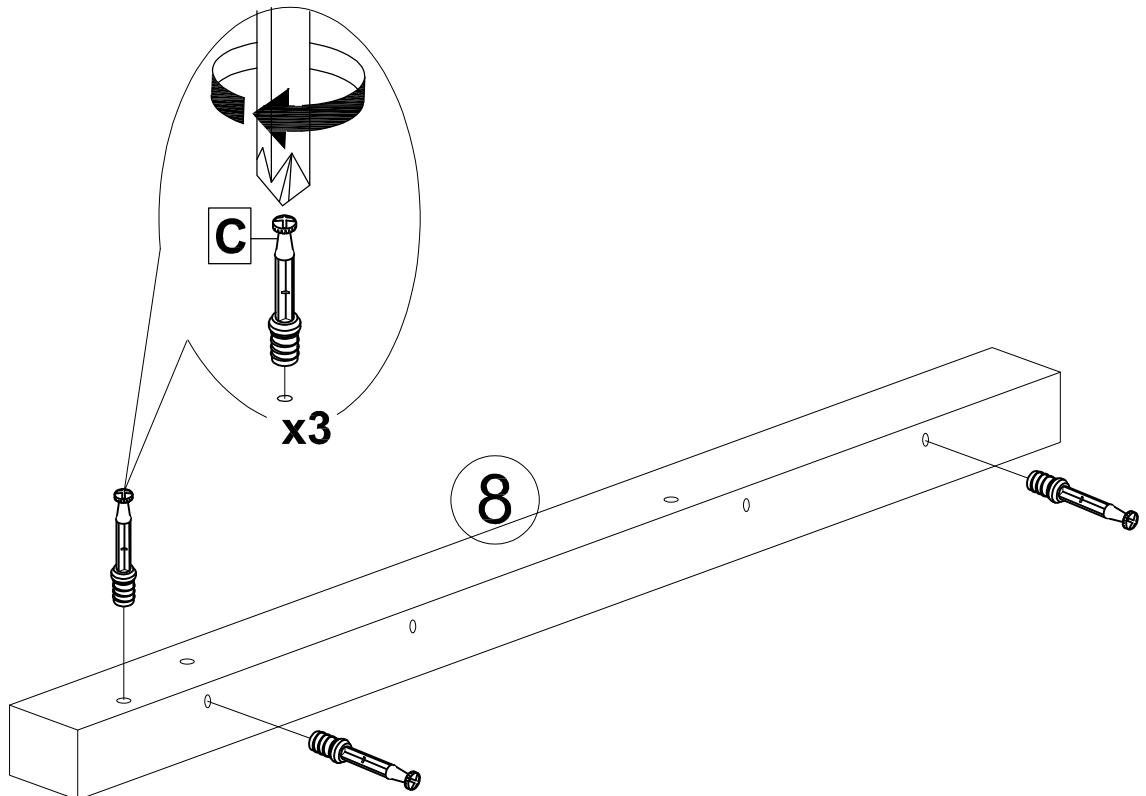
STEP 5

C		BOLT 0903 SV	3
---	---	--------------	---




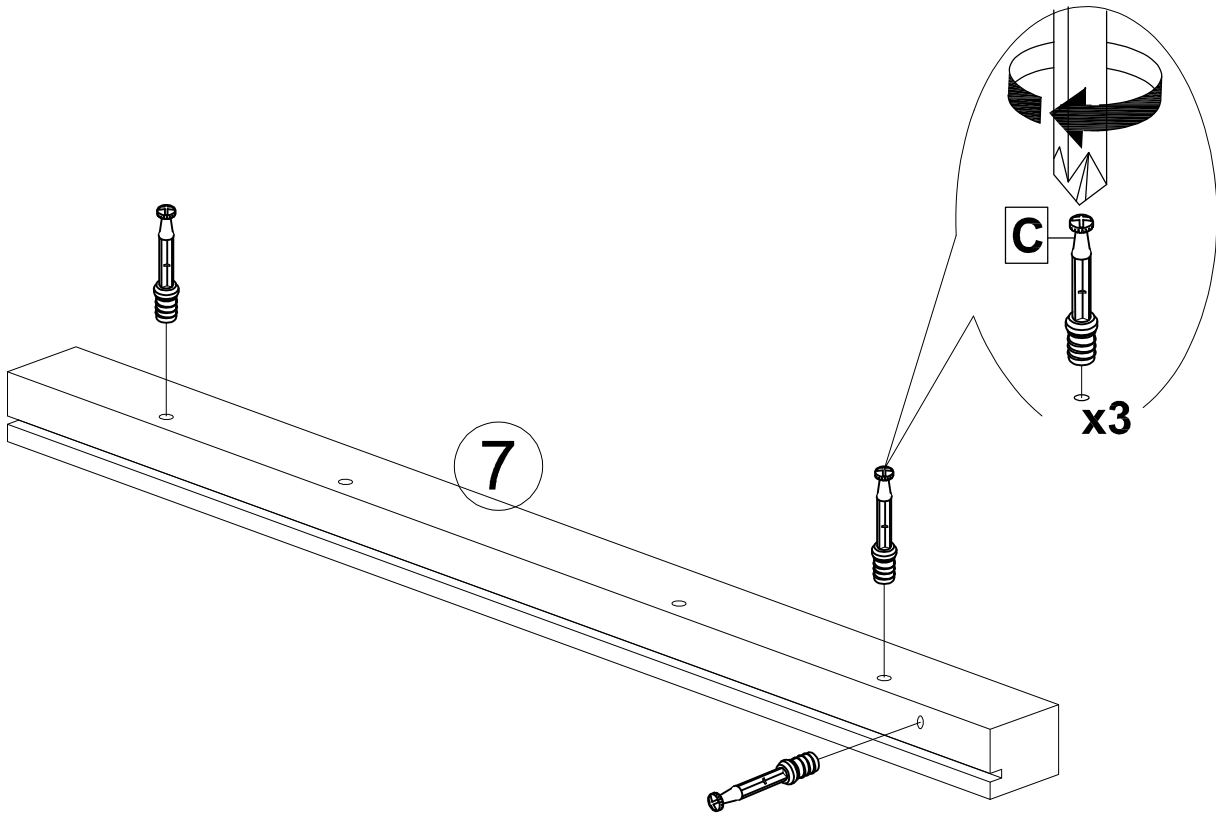
STEP 6

C		BOLT 0903 SV	3
---	---	--------------	---




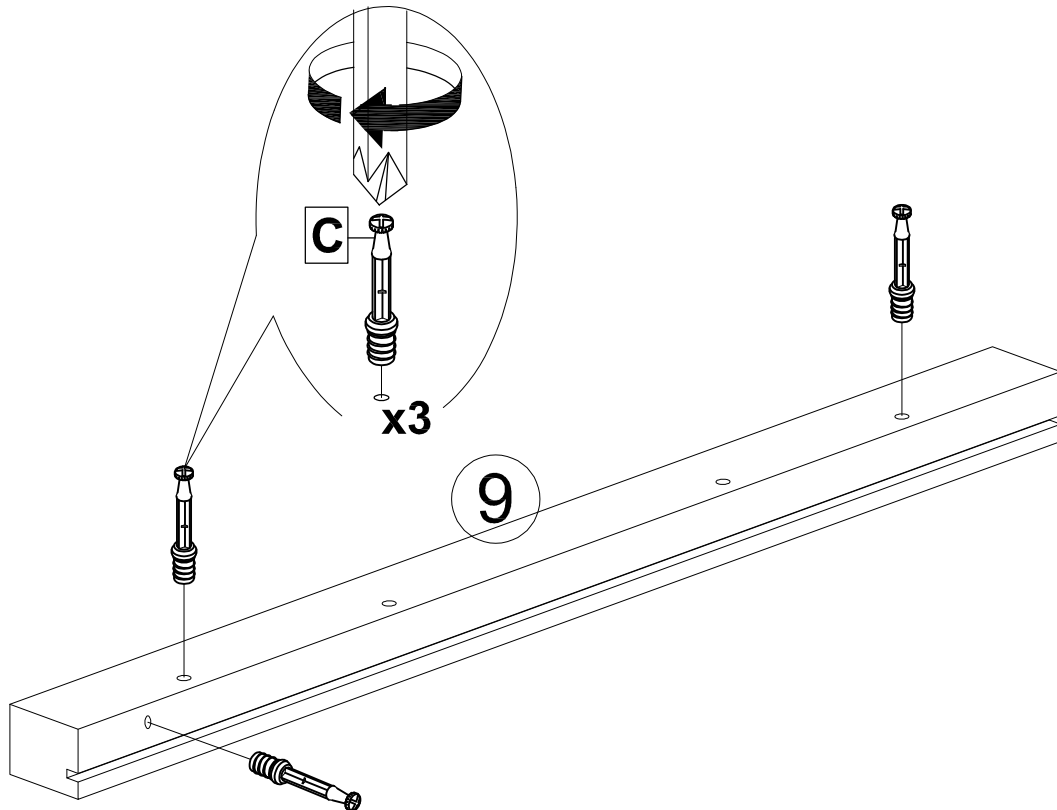
STEP 7

C		BOLT 0903 SV	3
---	---	--------------	---



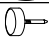


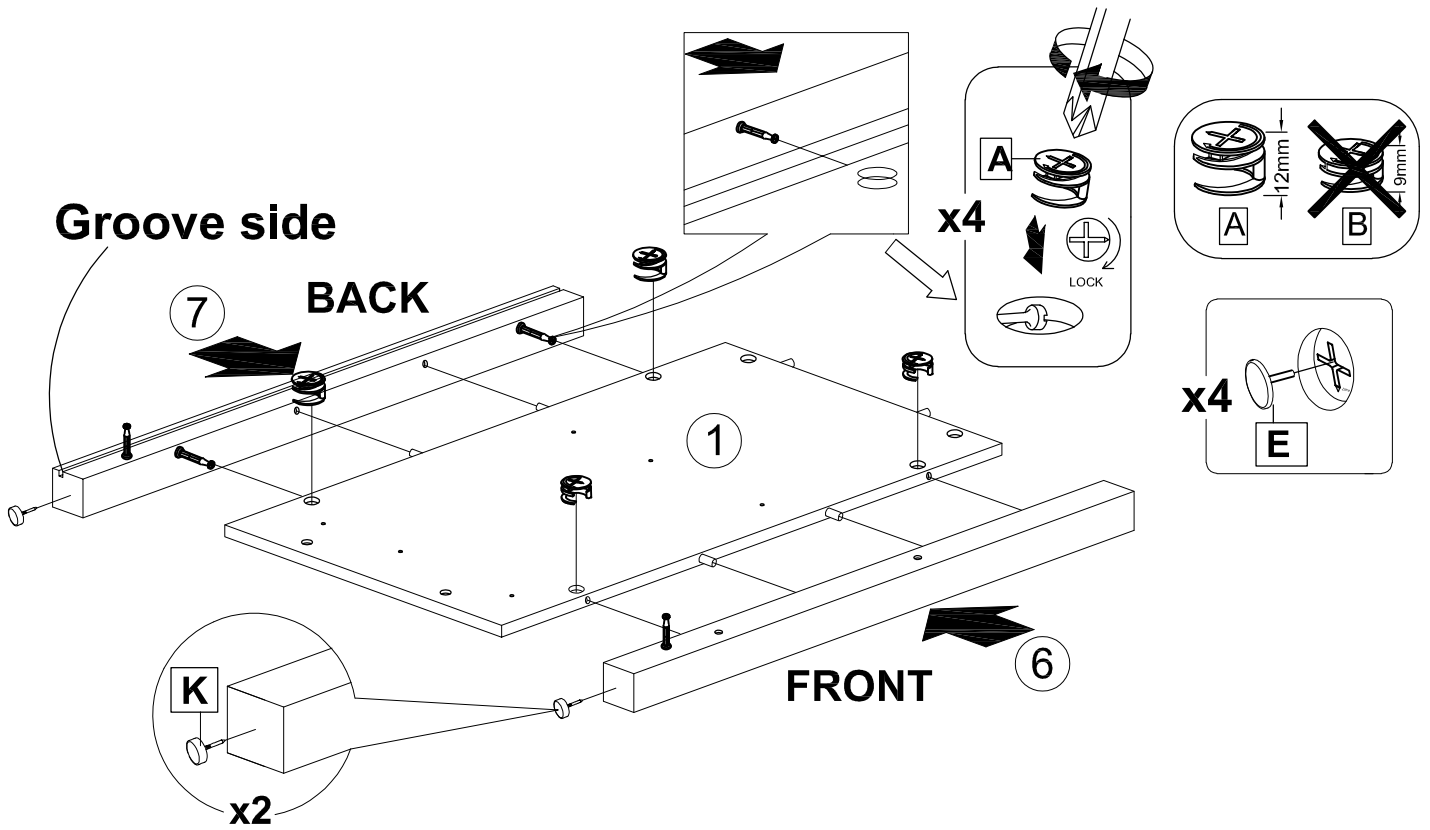
STEP 8

C		BOLT 0903 SV	3
---	---	--------------	---


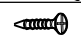


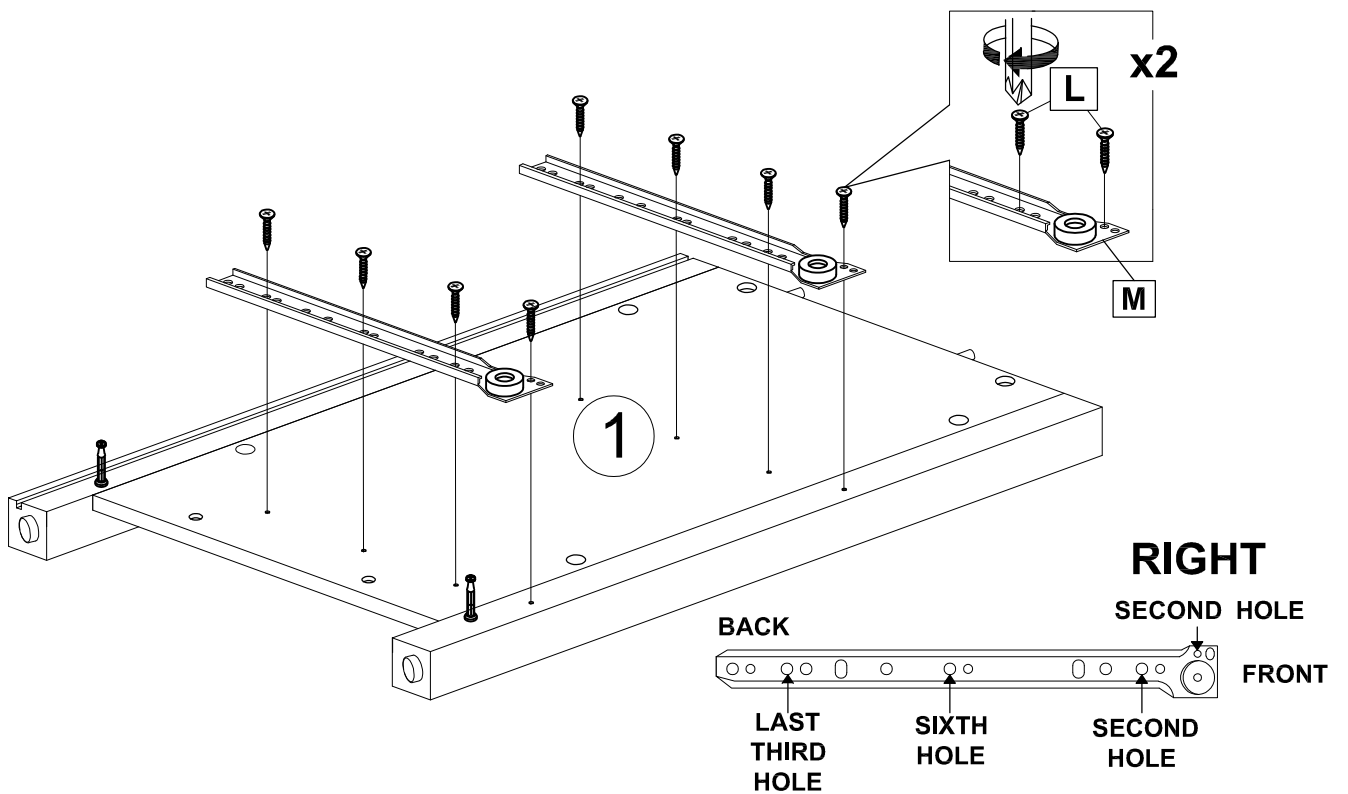
STEP 9

A		CAM 1633 SV	4
E		PVC CAP 17MM	4
K		LEG COVER	2



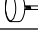


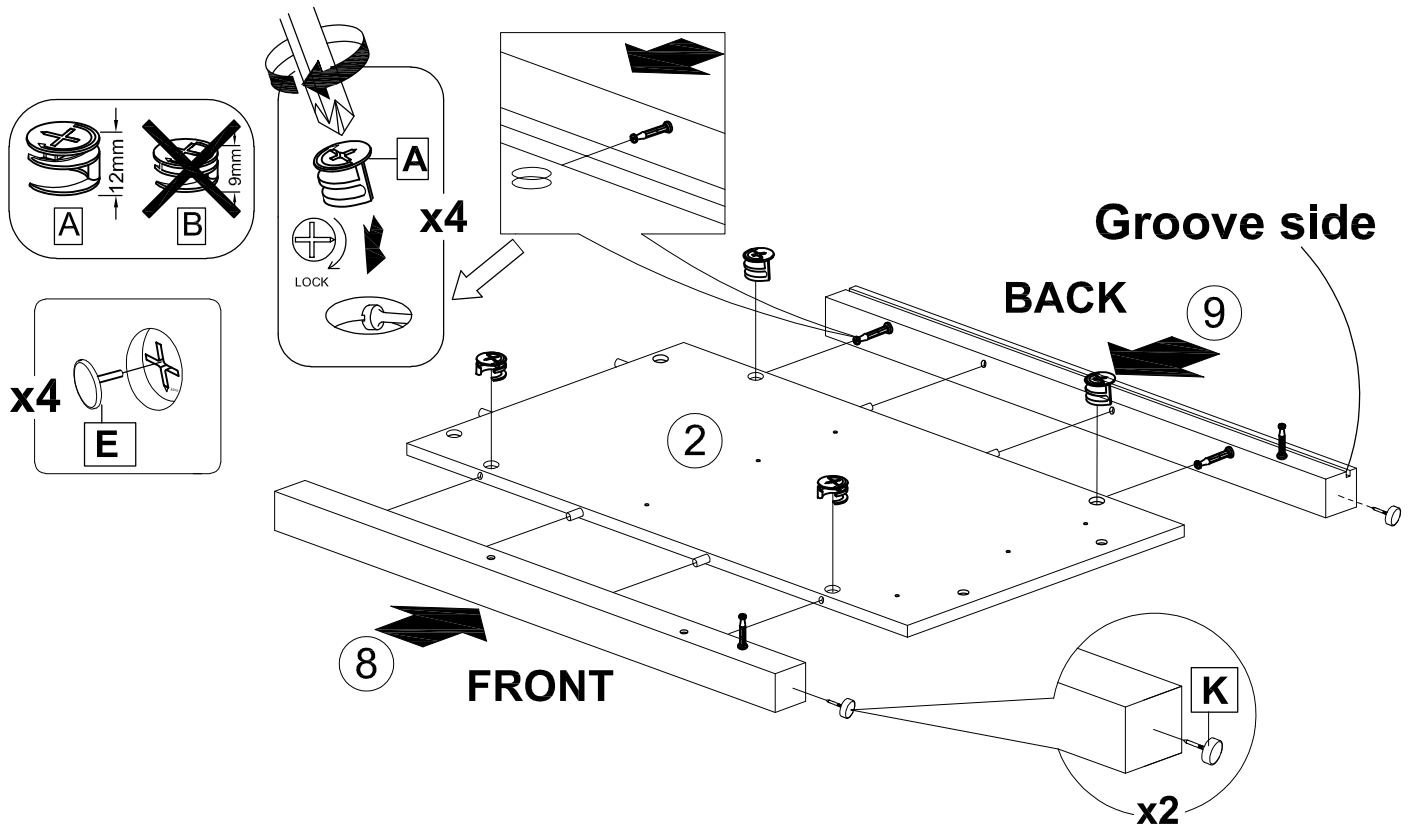
STEP 10

M		METAL SLIDE RIGHT	2
L		SCREW M3.5 x 12MM	8





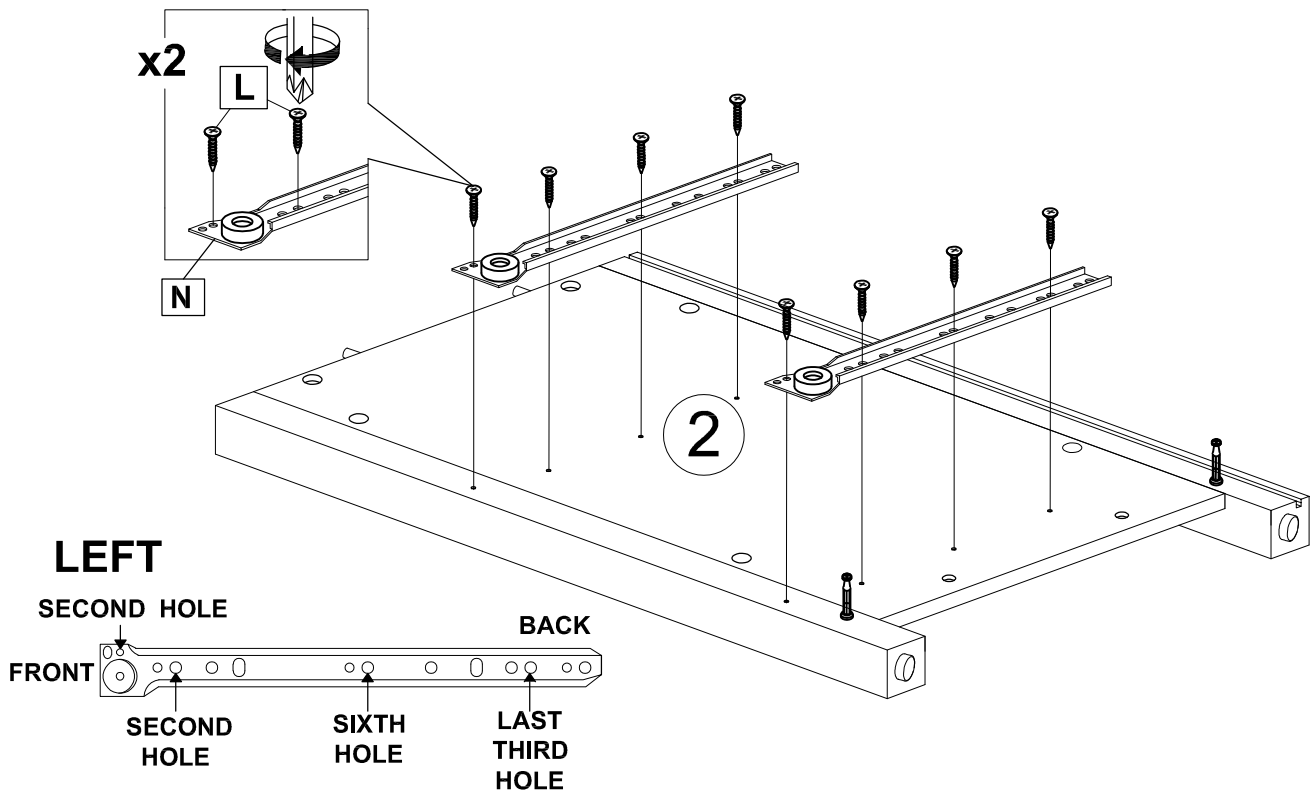
STEP 11

A		CAM 1633 SV	4
E		PVC CAP 17MM	4
K		LEG COVER	2





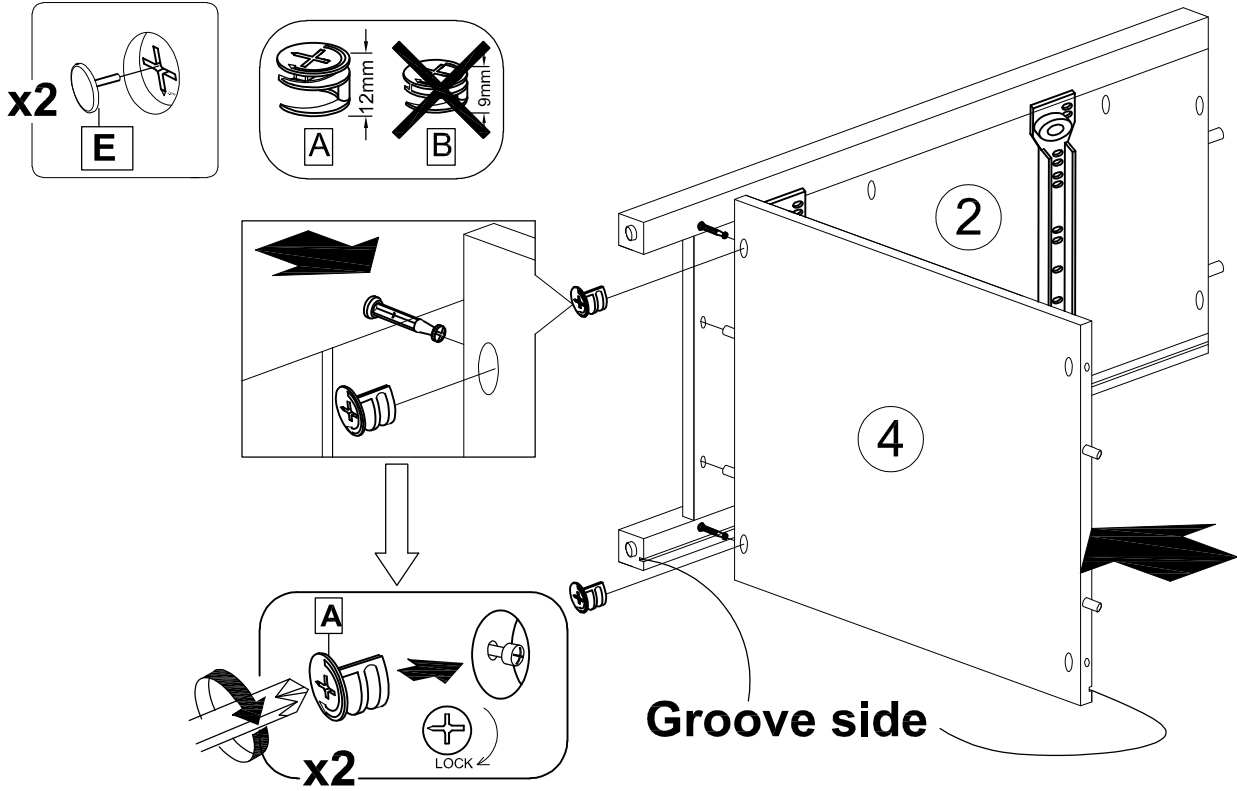
STEP 12

N		METAL SLIDE LEFT	2
L		SCREW M3.5 x 12MM	8





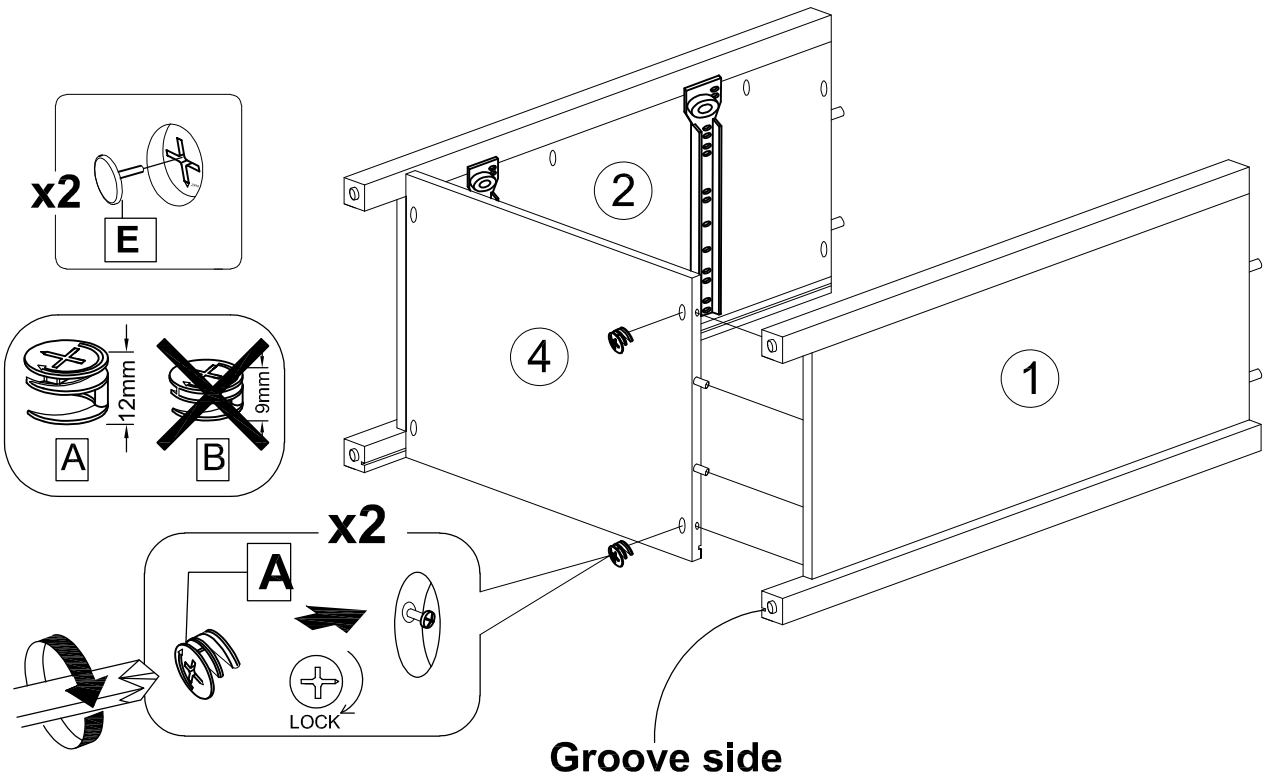
STEP 13

A		1633SV	2
E		PVC CAP 17MM	2

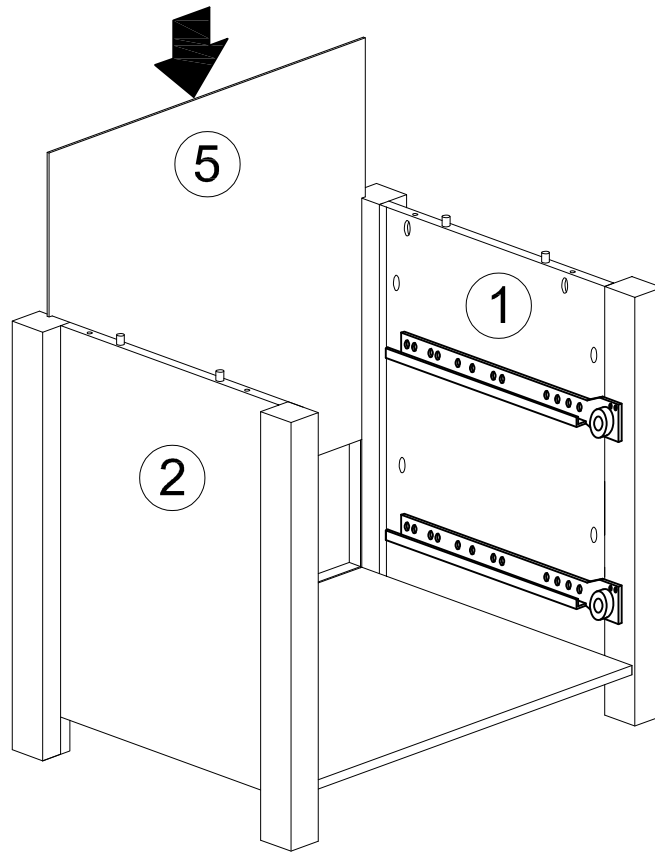


STEP 14



A		CAM 1633 SV	2
E		PVC CAP 17MM	2

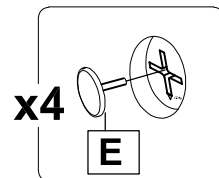
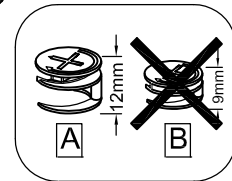
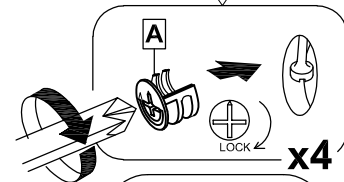
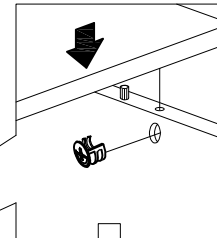
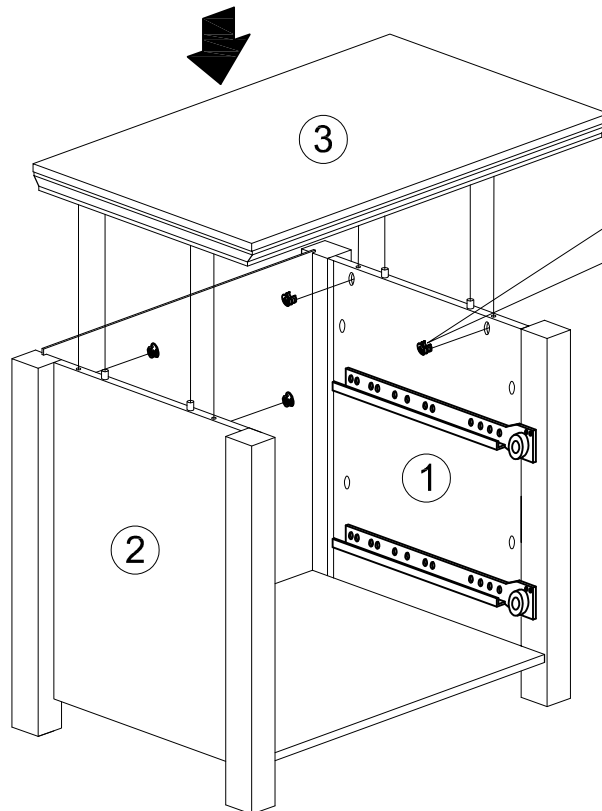


STEP 15






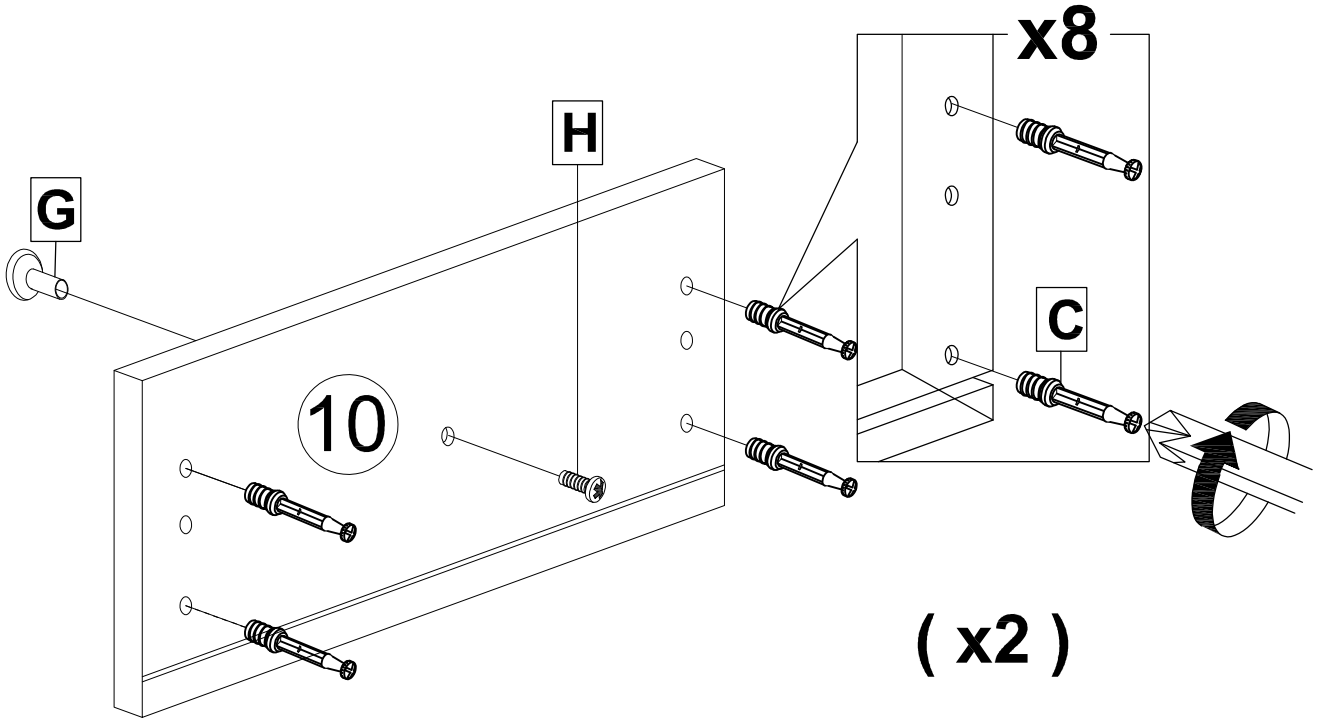
STEP 16

A		CAM 1633 SV	4
E		PVC CAP 17MM	4

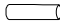



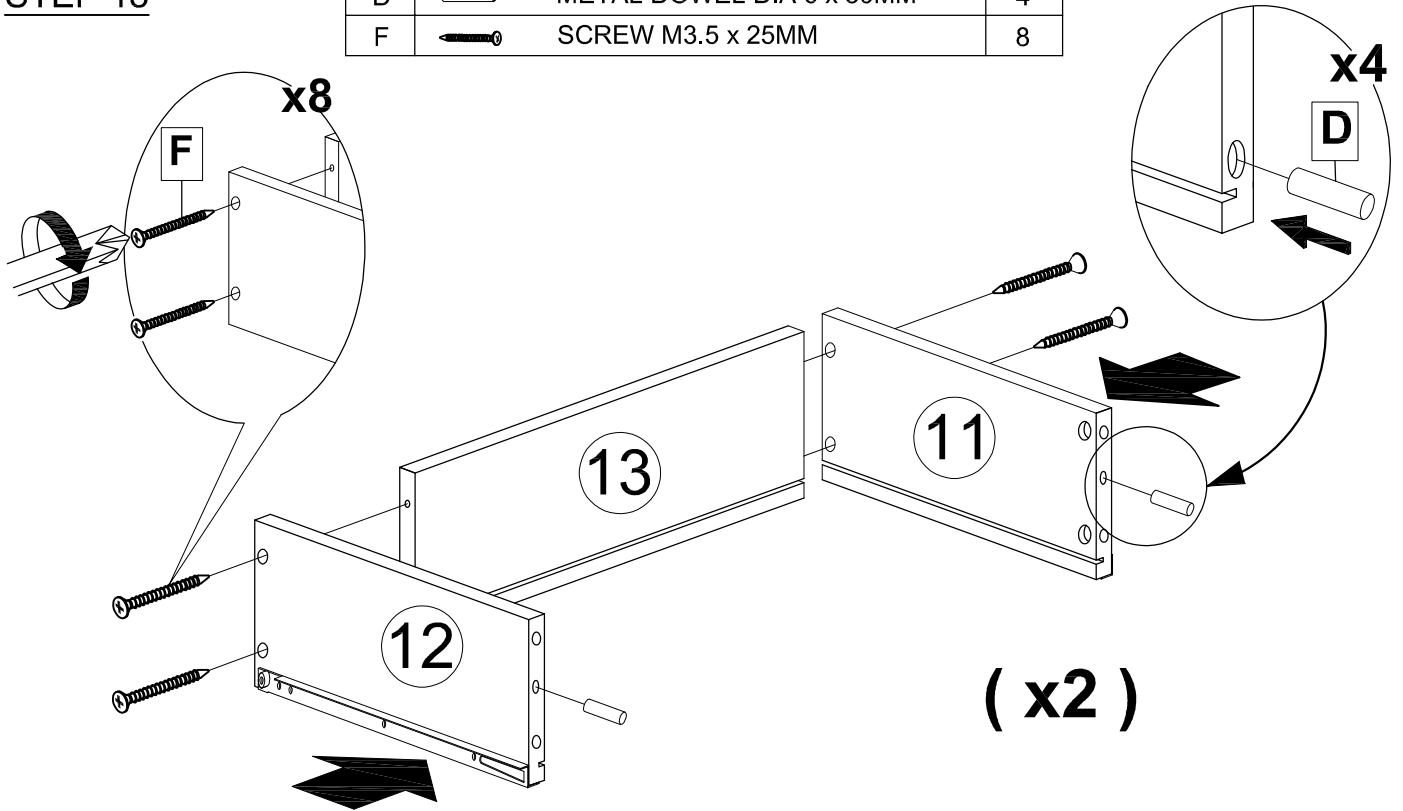
STEP 17

C		BOLT 0903 SV	8
G		KNOB	2
H		SCREW M4 x 10MM	2

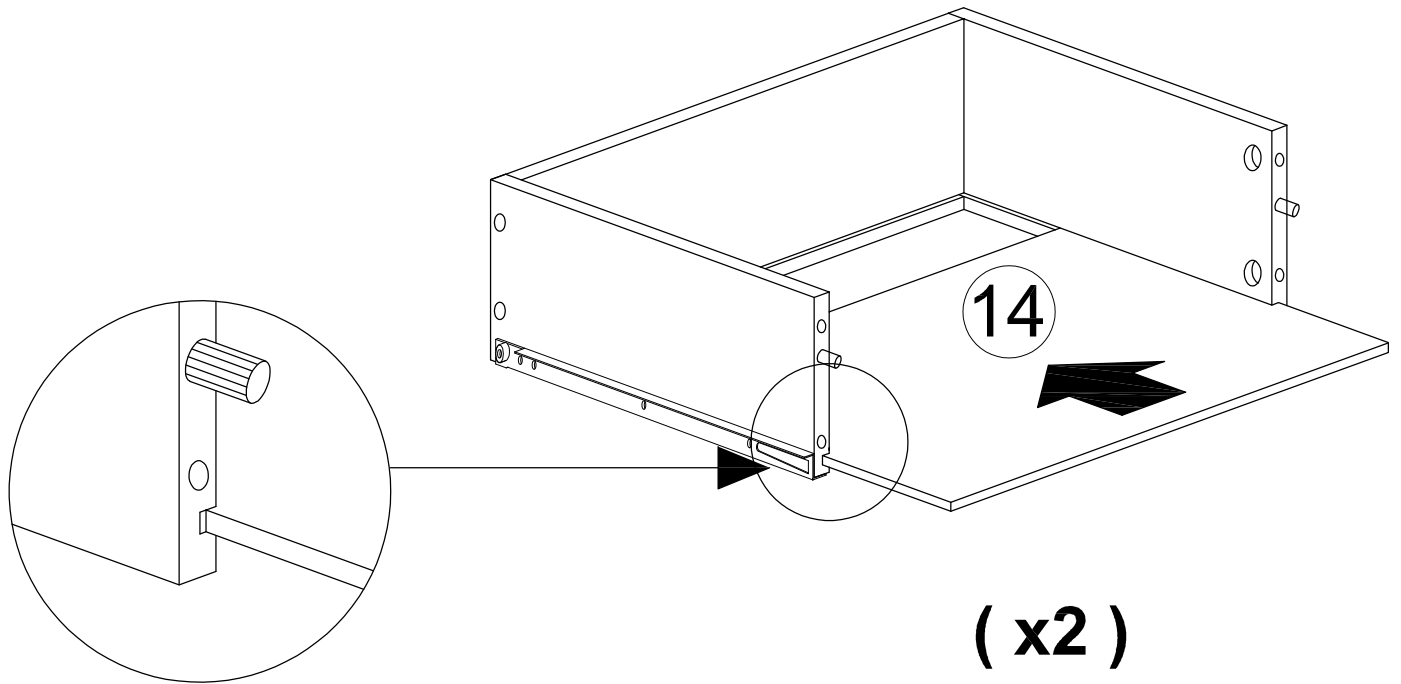


STEP 18



D		METAL DOWEL DIA 6 x 30MM	4
F		SCREW M3.5 x 25MM	8

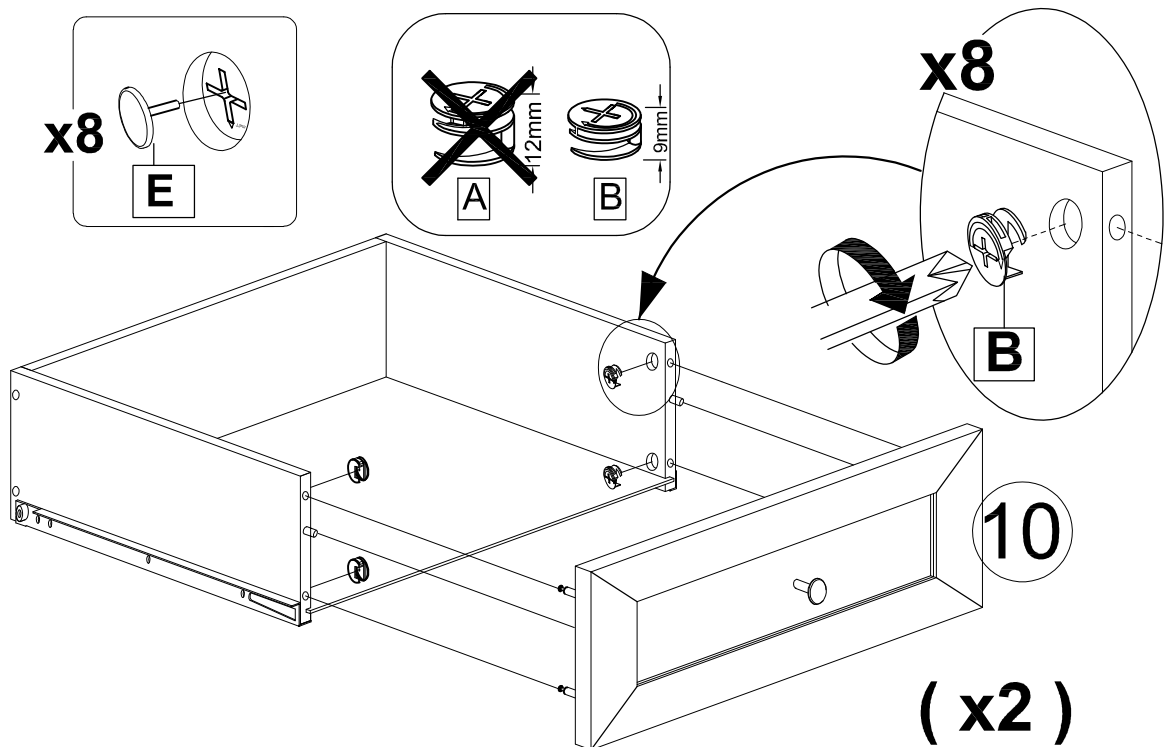


STEP 19

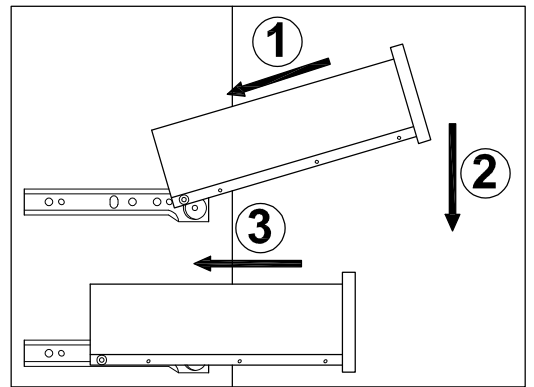
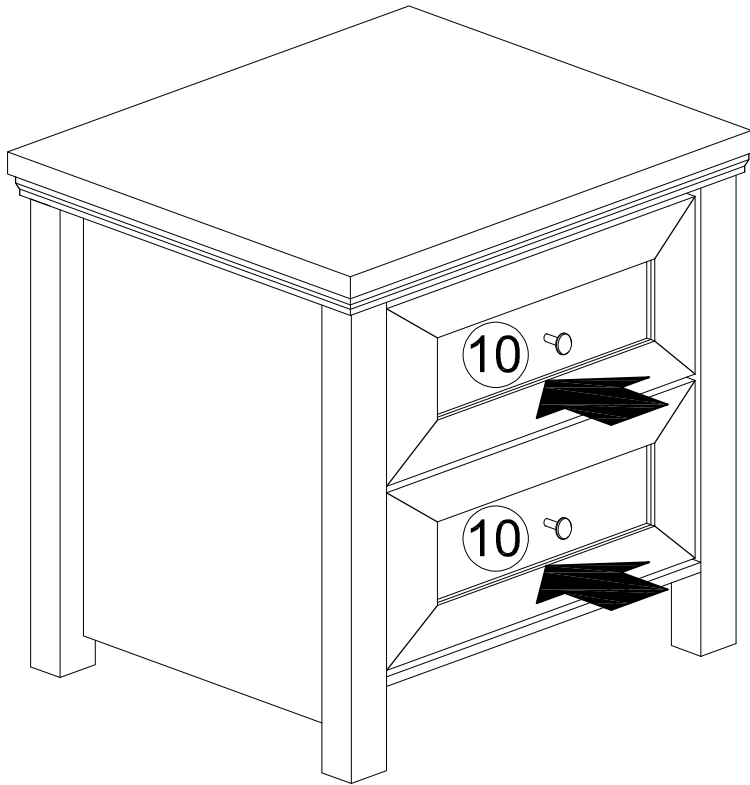


STEP 20



B		CAM 1238 SV	8
E		PVC CAP 17MM	8

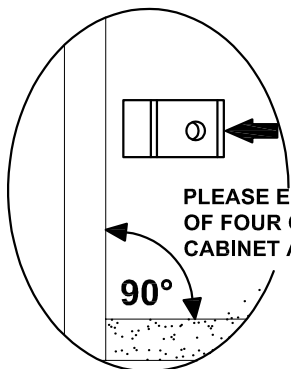
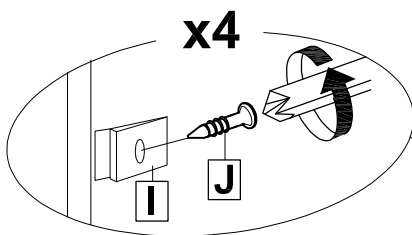


STEP 21



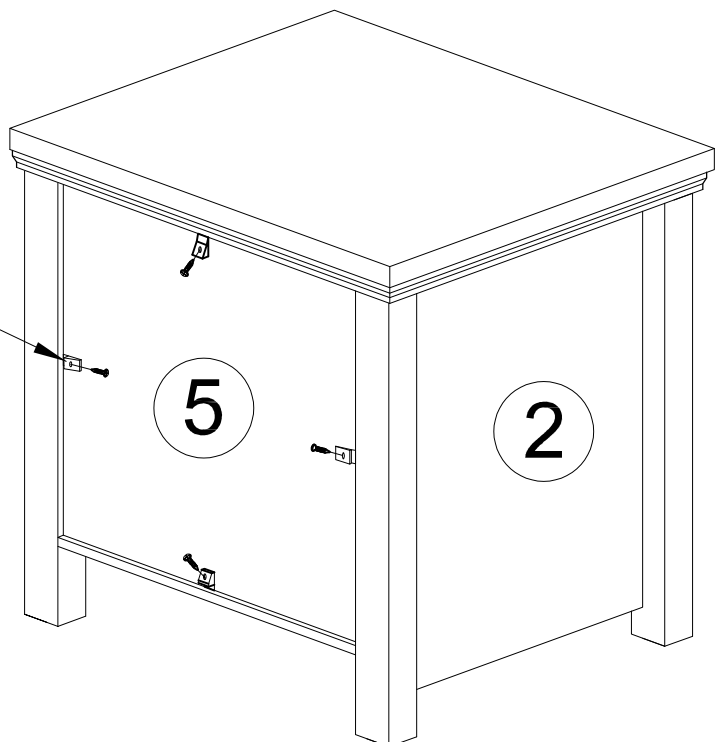
STEP 22

I		BACKPLY STOPPER	4
J		SCREW M3 x 20MM	4

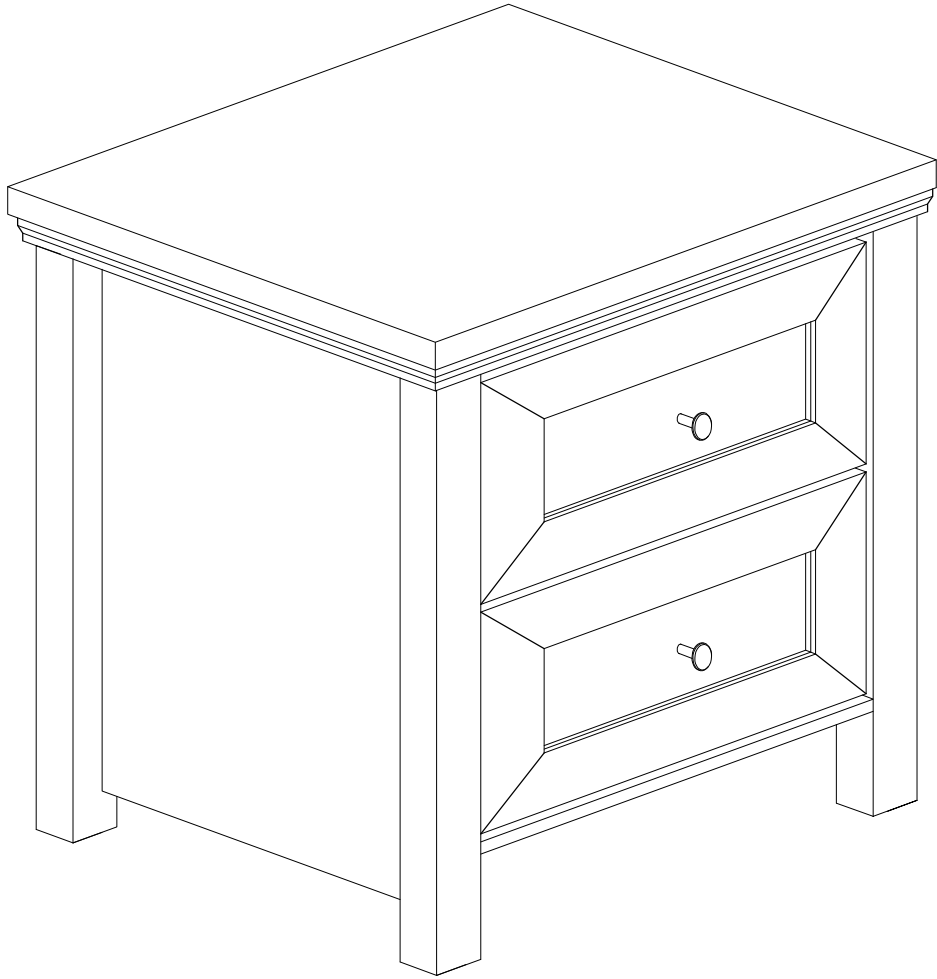


PLEASE ENSURE THAT EACH
OF FOUR CORNERS OF
CABINET ARE SQUARE

90°



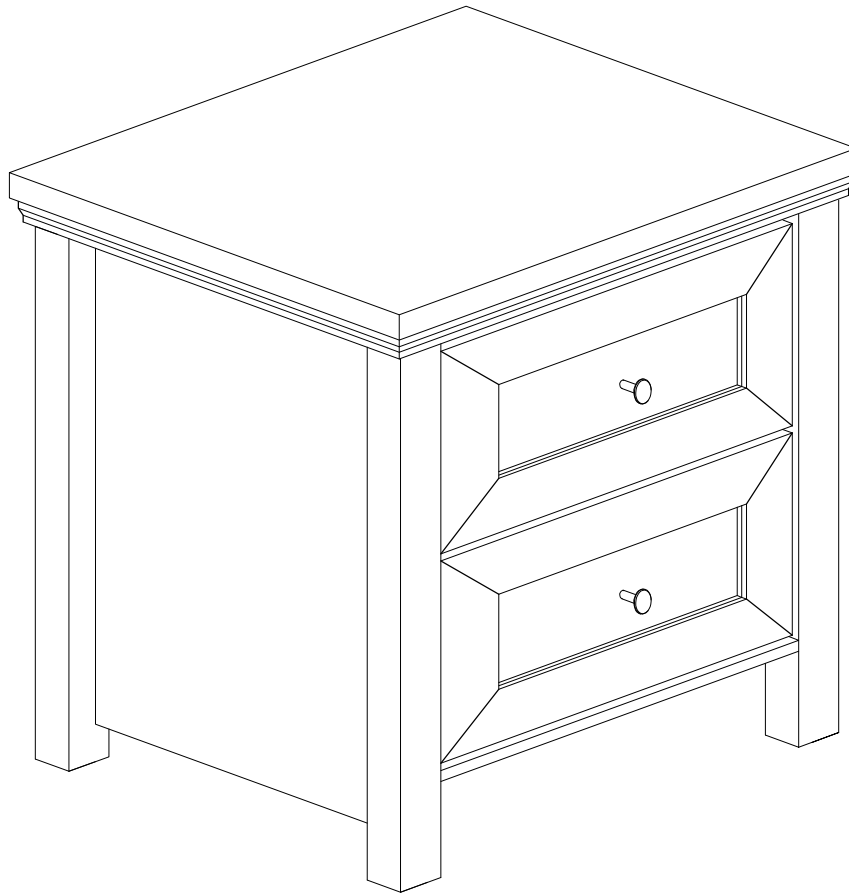
COMPLETED



MAINTENANCE AND CARE GUIDE

IVES BLACK BEDSIDE CABINET

IVES WHITE BEDSIDE CABINET



Maintenance:

- To clean and care for your furniture.
- Use a soft, clean cloth that **will** not scratch the surface when dusting.
- Use of furniture polishes is not necessary. Should you choose to use polishes, test first in an inconspicuous area.
- Using solvents of any kind on your furniture may damage the finish.
- Never use water to clean your furniture as it may cause damage to the finish.
- Always use coasters under beverage glasses and flowerpots.
- Liquid spills should be removed immediately. Using a soft clean cloth, blot the spill gently. Avoid rubbing.
- Always use protective pads under hot dishes and plates. Heat can cause chemical changes that may create spotting within the furniture finish.
- Stains or marks from crayons or ink markers **will** be difficult to remove.
- In the event that your furniture is stained or otherwise damaged during use, we recommend that you call a professional to repair your furniture.
- Check bolts/screws periodically and tighten them if necessary.

Care and cleaning:

- It is best to keep your furniture in a climate-controlled environment. Extreme temperature and humidity changes can cause fading, warping, shrinking and splitting of wood. It is advised to keep furniture away from direct sunlight as sun may damage the finish.
- Proper care and cleaning at home **will** extend the life of your purchase. Following these important and helpful tips **will** enhance your furniture as it ages.