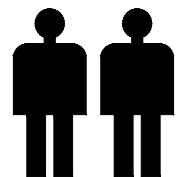
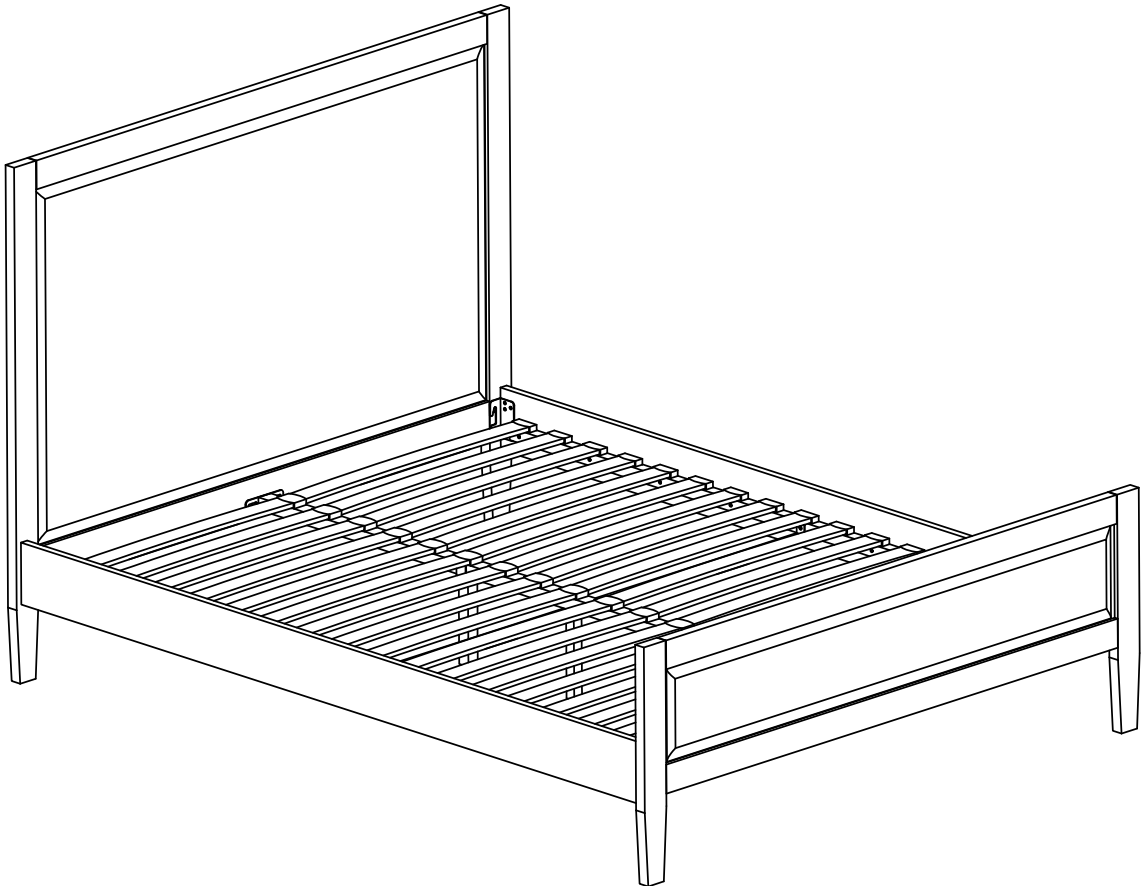


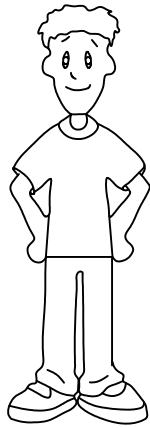
LPD HOME

Assembly & Care Instructions

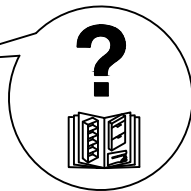
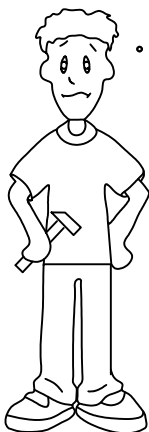
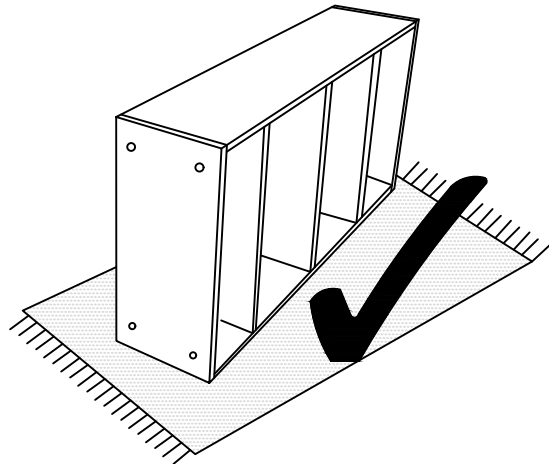
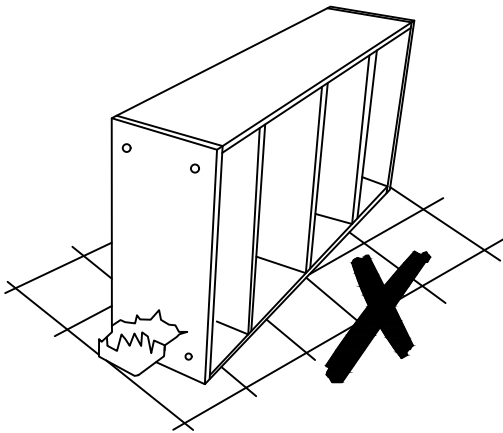
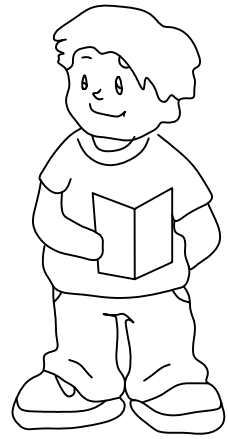
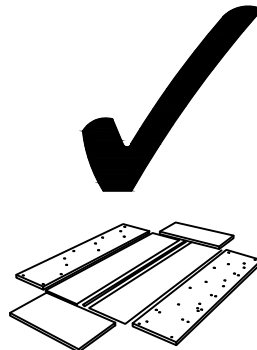
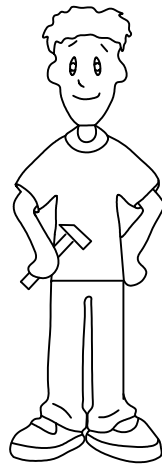
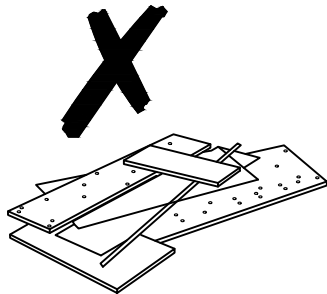
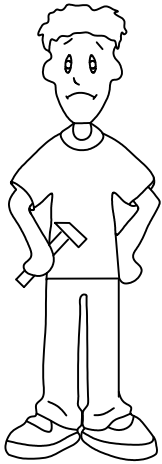
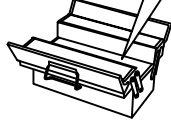
BAY Bed
(150cm)



TWO PERSONS HANDLING



No Extra
Tools Required



Contact your supplier

Safety Advice

Please read these instructions carefully before you begin, when finished store safely for future reference.

It would be sensible to lay down a sheet or blanket on the floor in the room you are going to assemble the product in, this will help to avoid scratching the product and will help to protect the floor.

IF THIS PRODUCT IS GOING TO BE USED ON A WOOD , LAMINATE OR TILED FLOOR , YOU MUST APPLY "ANTI SLIP PADS" TO ALL LEGS TOUCHING THE FLOOR.

THESE ARE AVAILABLE TO BUY IN MOST HARDWARE SHOPS IN A FELT MATERIAL OR RUBBER AND ARE RELATIVELY INEXPENSIVE.

THE PADS WILL PROTECT YOUR FLOOR FROM ANY MARKING AND ALSO FROM SLIPPING.

FAILURE TO APPLY THE PADS WILL RESULT IN NO RETURNS OF THE PRODUCT AND ANY SPARE'S REQUESTED.

Unpack the product carefully, inspect all parts and check all the parts are in the box remembering some parts are in the back of the headboard, check all hardware and make sure all numbers match the AI.

We strongly recommend that children are kept out of the area where the bed is being assembled as there are several small parts that could present a choking hazard.

Do not use any power tools in the assemble of this bed at ANY time.

When you start to assemble the product, we recommend you put all small parts i.e. nut, bolts etc. into a bowl, this way you are less likely to lose any parts. Do not fully tighten bolts until your product is fully assembled. Do not tighten the bolts fully until the bed has been completely built.

Safety Warning

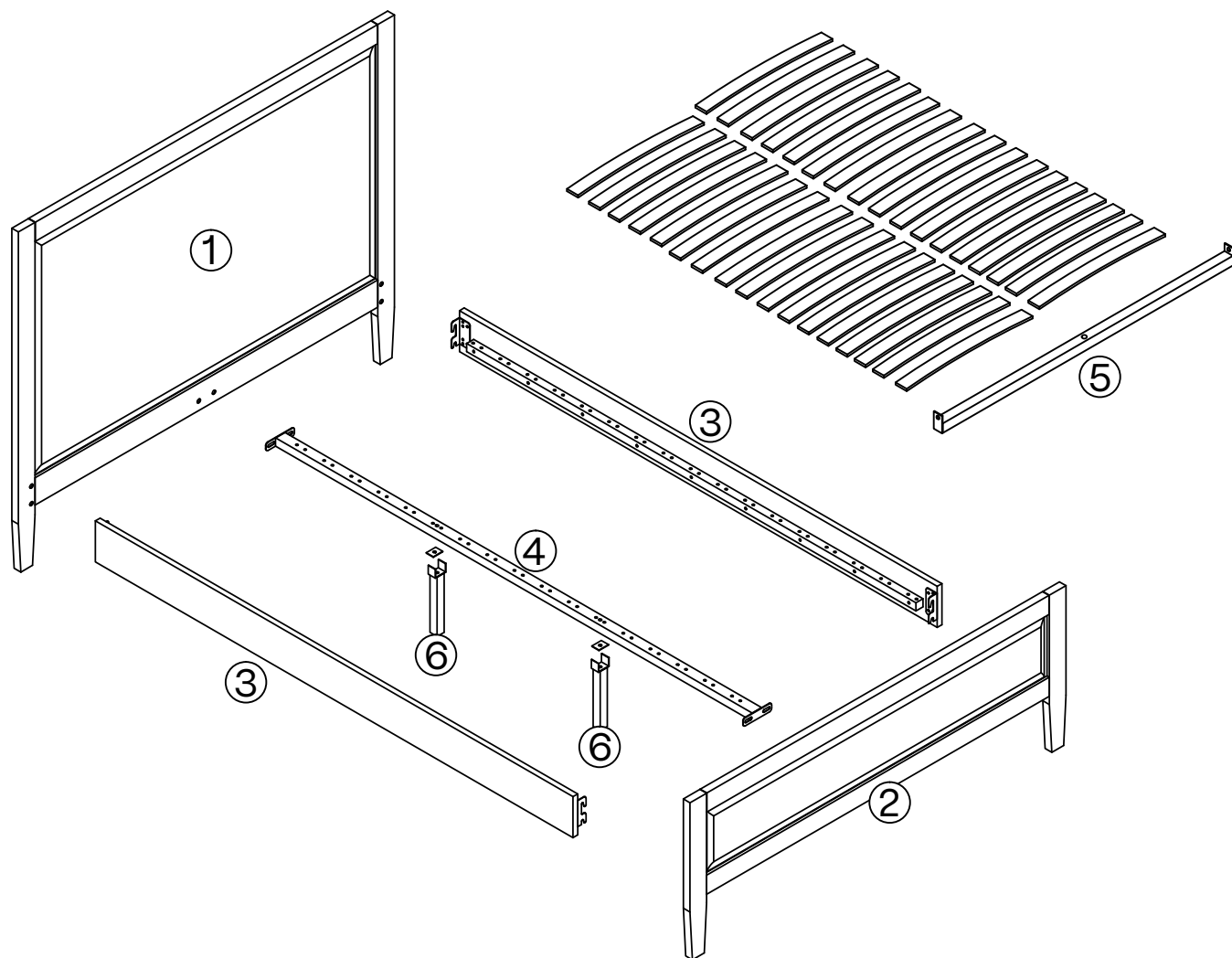
The design and construction of the base is made to only work with a mattress on top, do not sleep on the base without a mattress.

Every 3 months re-tighten the bolts to make sure they have not worked loose.









Make sure all 4 feet are in contact with the floor, if not use the adjustment on the feet to make it happen.

If for any reason you want to move the product to a different location the bed MUST be fully dismantled first to prevent damage.

PARTS LIST






HARDWARE LIST

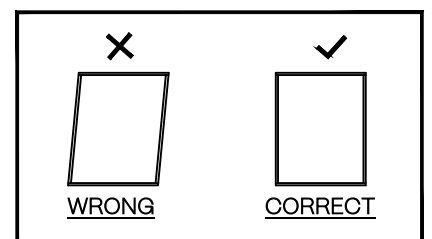
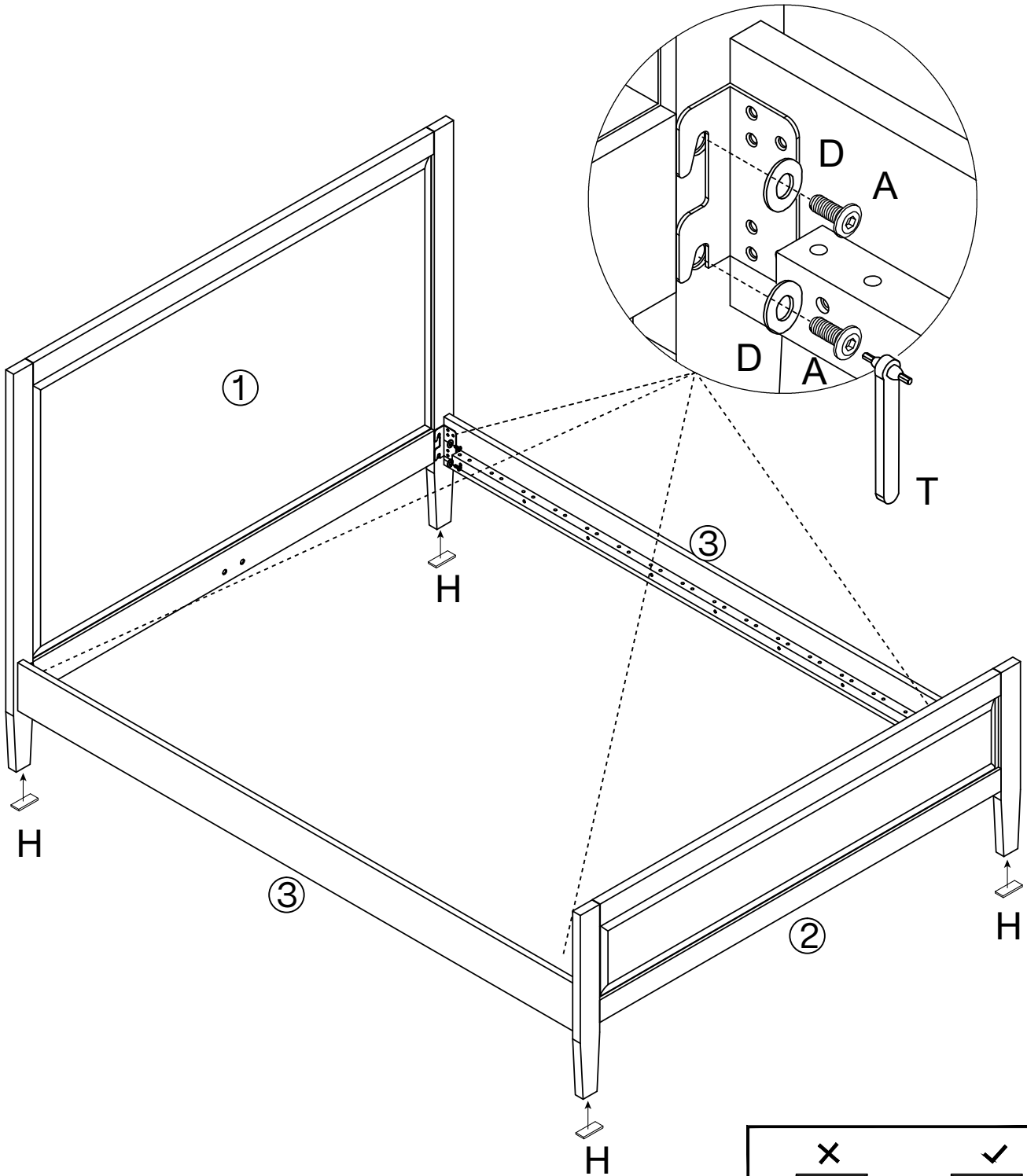
LABEL	PICTURE	DESCRIPTION	QTY	LABEL	PICTURE	DESCRIPTION	QTY
A		Bolt M8 x 20 mm	12	E		Bolt M8 x 40 mm	1
B		Bolt M8 x 50 mm	2	F		Single Plastic Cap	34
C		Bolt M6 x 20 mm	2	G		Double Plastic Cap	17
D		Washer M8	9	H		Felt Pad	4

TOOL LIST




LABEL	PICTURE	DESCRIPTION	QTY
T		Ratchet	1

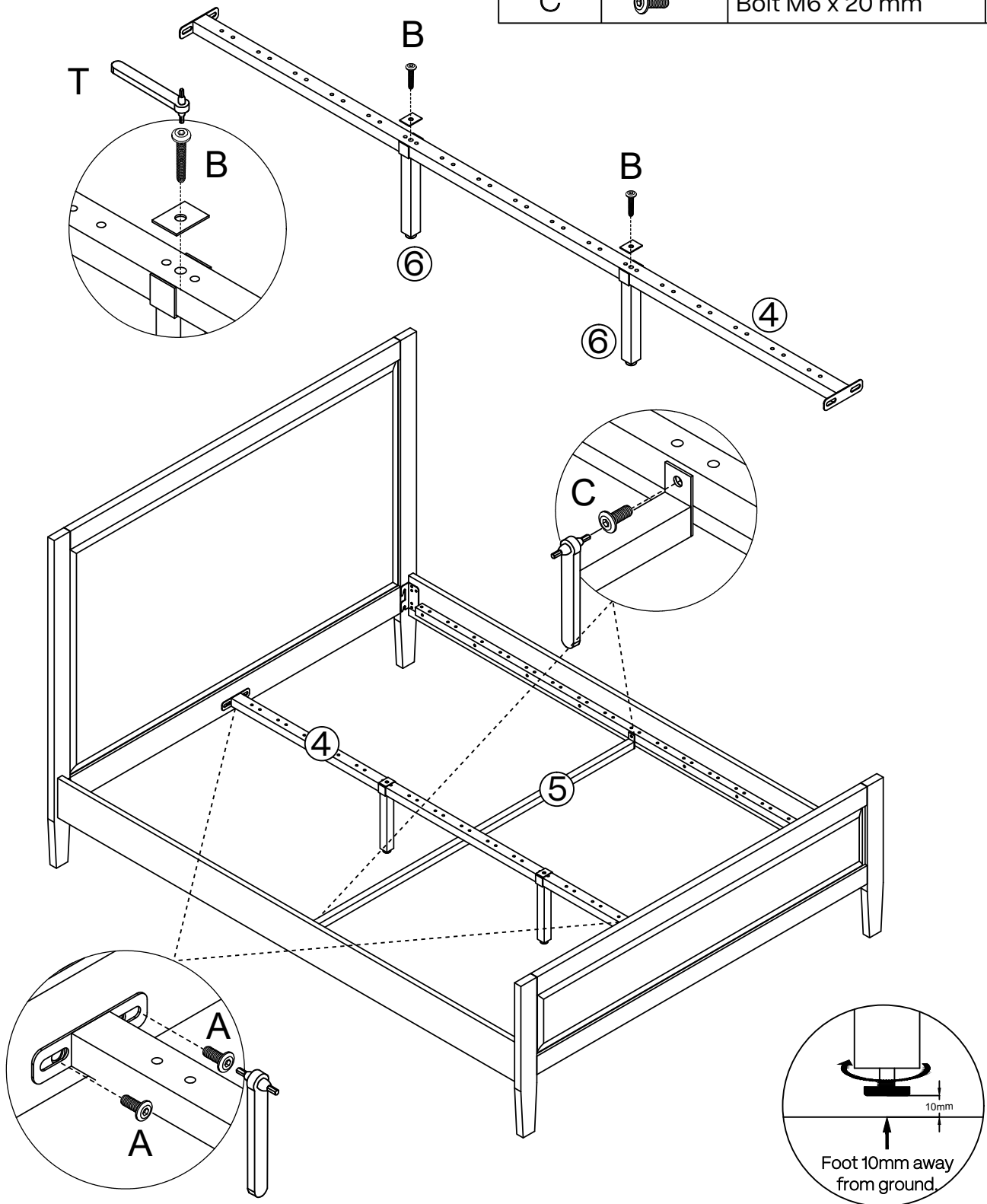
1

A		Bolt M8 x 20 mm	8
D		Washer M8	8
H		Felt Pad	4



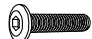

2

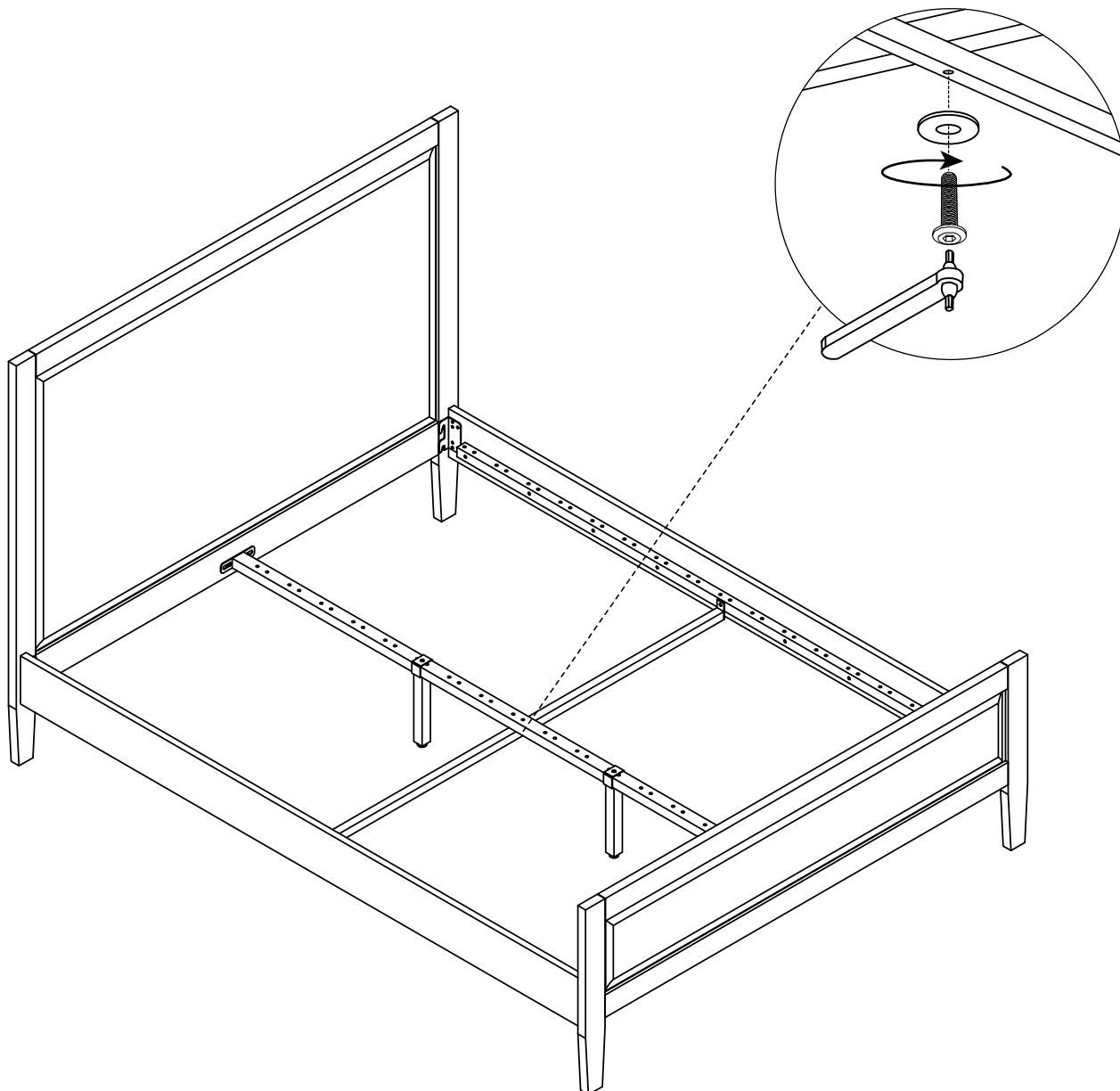
A		Bolt M8 x 20 mm	4
B		Bolt M8 x 50 mm	2
C		Bolt M6 x 20 mm	2





ATTENTION: After central rail and support legs have been assembled, rotate adjustable feet to make support legs 10mm away from the floor. Support legs would touch the floor when a mattress is put on the base. Please use washers following the assembly instructions and tighten all bolts before using. Otherwise it would make the central support rail and legs vulnerable, and the bed may collapse.

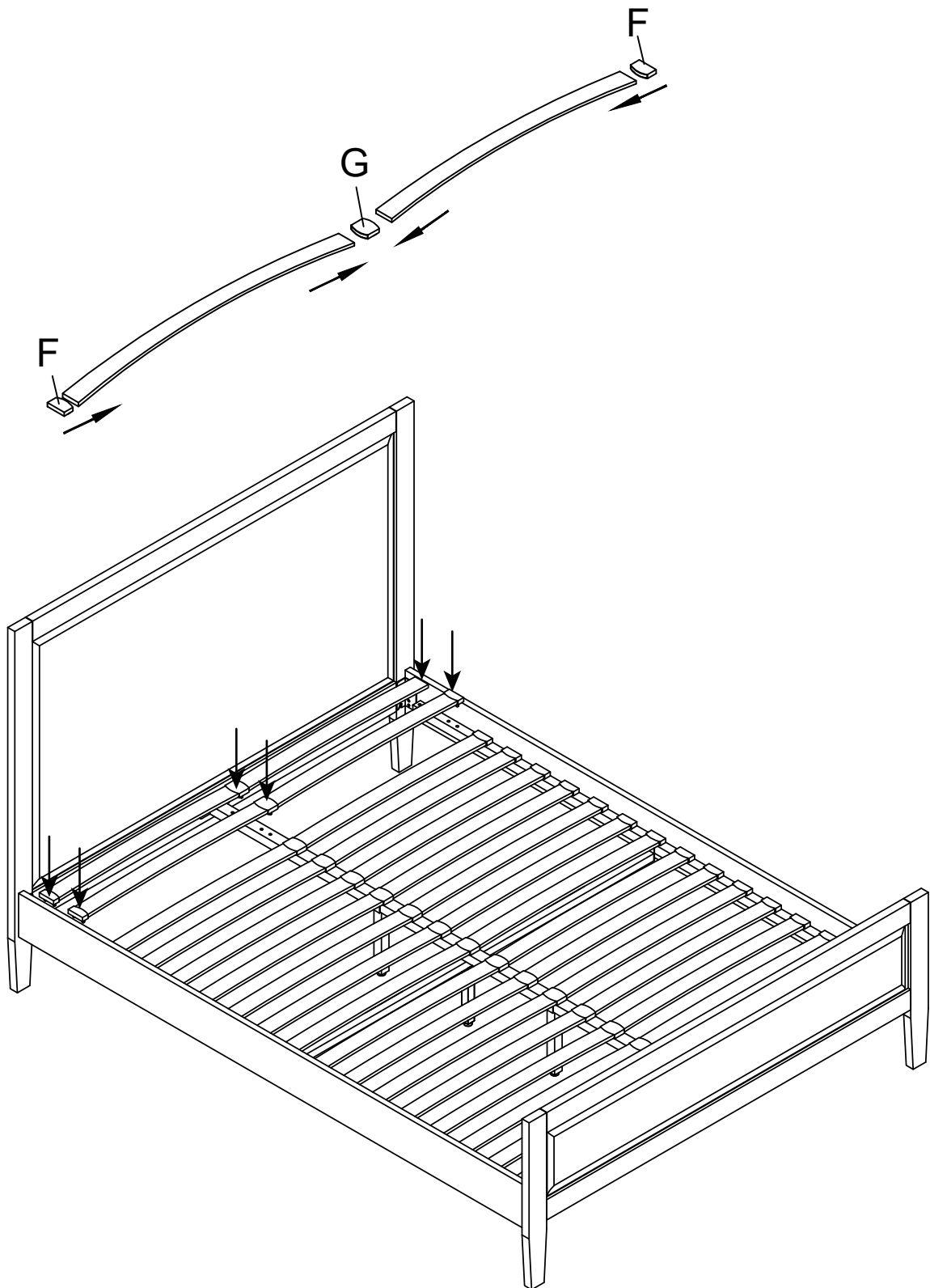
3

E		Bolt M8 x 40 mm	1
D		Washer M8	1



4

F		Single Plastic Cap	34
G		Double Plastic Cap	17



GENERAL USE & CARE

Your bed frame does not require special waxing or oiling. You may dust at any time with a clean, dry, soft cloth. If deeper cleaning is necessary, use a damp, non-abrasive cloth and a solution of cool water and mild detergent, immediately wipe dry.

Avoid the use of all household cleaners and abrasives.

Moisture and heat can damage a wood finish. To prevent moisture damage, promptly wipe up any spills or any other moisture. To prevent heat damage, avoid placing your bed frame too close to heat sources such as HVAC vents and radiators.

Avoid dragging sharp or rough objects across the surface of your wood bed frame, or it will become scratched.

Wood may expand and contract with seasonal humidity changes. Maintaining consistent humidity levels will minimize movement in the wood and help to prevent warping.

Over time, air and sunlight may change the color of the paint cover. To prevent fading, avoid placing your bed frame in direct sunlight.

Upon completion of assembly be sure all screws, bolts and fastening devices have been securely tightened. A frequent check should be made.

Never drag or push the pieces across the floor as this will cause damage to the joints and could result in failure to the product that will invalidate the warranty.

Always lift the product when moving.

CAUTIONS

PLEASE KEEP THE ORIGINAL PACKING UNTIL YOUR ITEM IS FULLY ASSEMBLED.

IN THE UNLIKELY EVENT YOU NEED TO RETURN YOUR PRODUCT, IT MUST BE RETURNED IN ITS ORIGINAL PACKING.

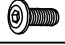

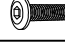





OTHERWISE NO RETURNS WILL BE ACCEPTED.

Notes

We've tried to make this piece of furniture as easy to assemble as possible. In the unlikely event that you have problems putting it together or have damaged or missing pieces, please contact your supplier.

If for any reason you need to contact your store, please give them Batch No. & Parts No. of the item you have an issue with, this will save time in solving your query.

The Batch No. is a number on a thin strip i.e. 023225 and can be found on the inside of the Footboard.

LABEL	PICTURE	DESCRIPTION	QTY	LABEL	PICTURE	DESCRIPTION	QTY
A		Bolt M8 x 20 mm	12	E		Bolt M8 x 40 mm	1
B		Bolt M8 x 50 mm	2	F		Single Plastic Cap	34
C		Bolt M6 x 20 mm	2	G		Double Plastic Cap	17
D		Washer M8	9	H		Felt Pad	4

