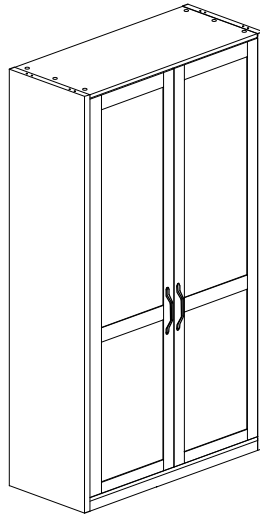


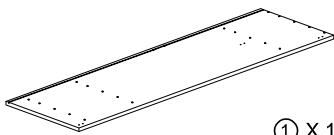
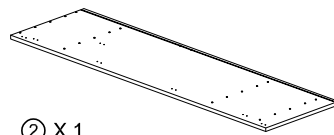
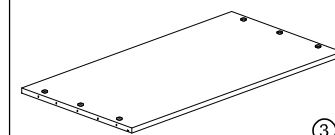
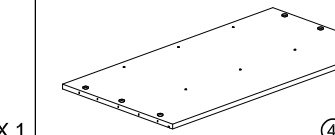
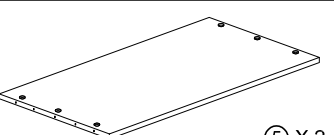
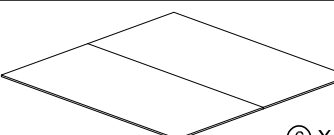
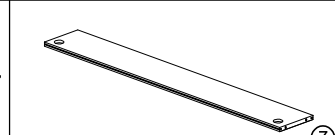
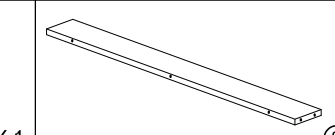
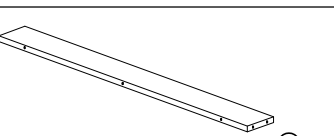
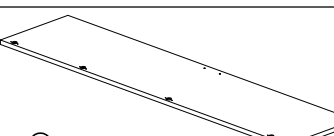
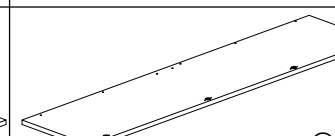
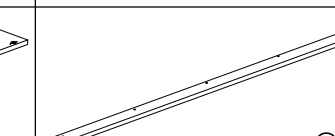





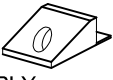

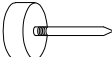



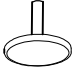



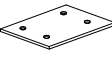


LPD HOME™

ASSEMBLY INSTRUCTION AUSTEN WHITE 2 DOOR WARDROBE




Please read before you continue further.

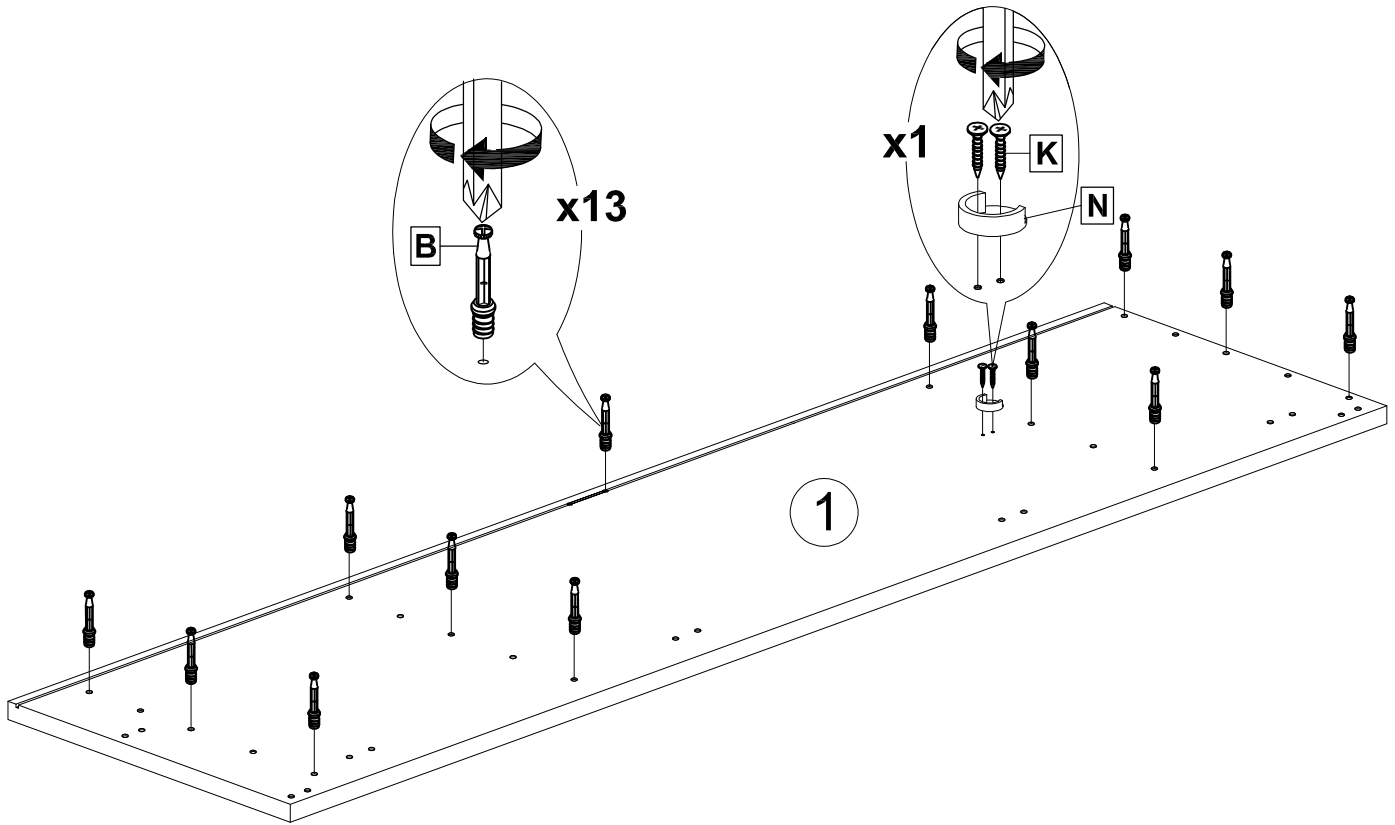
PLEASE KEEP THE ORIGINAL PACKAGING UNTIL THE ITEM IS FULLY ASSEMBLED AND IN PLACE. IN TIME UNLIKELY EVENT THAT YOU NEED TO RETURN YOUR PRODUCT. IT MUST BE RETURNED IN ITS ORIGINAL PACKAGING TO AVOID FURTHER DAMAGE. FAILURE TO FOLLOW THESE PROCEDURES, NO RETURNS WILL BE ACCEPTED.






 ① X 1	 ② X 1	 ③ X 1	 ④ X 1		
 ⑤ X 2	 ⑥ X 2	 ⑦ X 1	 ⑧ X 2		
 ⑨ X 1	 ⑩ X 1	 ⑪ X 1	 ⑫ X 1		
 CAM 1633 SV A x 26	 BOLT 0903 SV B x 26	 METAL DOWEL DIA 6 x 30MM C x 39	 HANDLE D x 2	 SCREW M4 x 25MM E x 4	 BACKPLY STOPPER F x 12
 SCREW M3 x 20MM G x 12	 LEG COVER 16MM H x 6	 HINGES 7/8 I x 8	 SCREW M4 x 16MM J x 32	 SCREW M3.5 x 12MM K x 4	 PVC CAP 17MM L x 26
 ANTI TIP STRAP M x 2	 U BRACKET N x 2	 CHROME PIPE 952MM O x 1	 METAL PLATE P x 2	 SCREW M3.5 x 16MM Q x 8	 SCREW M4 x 20MM R x 5

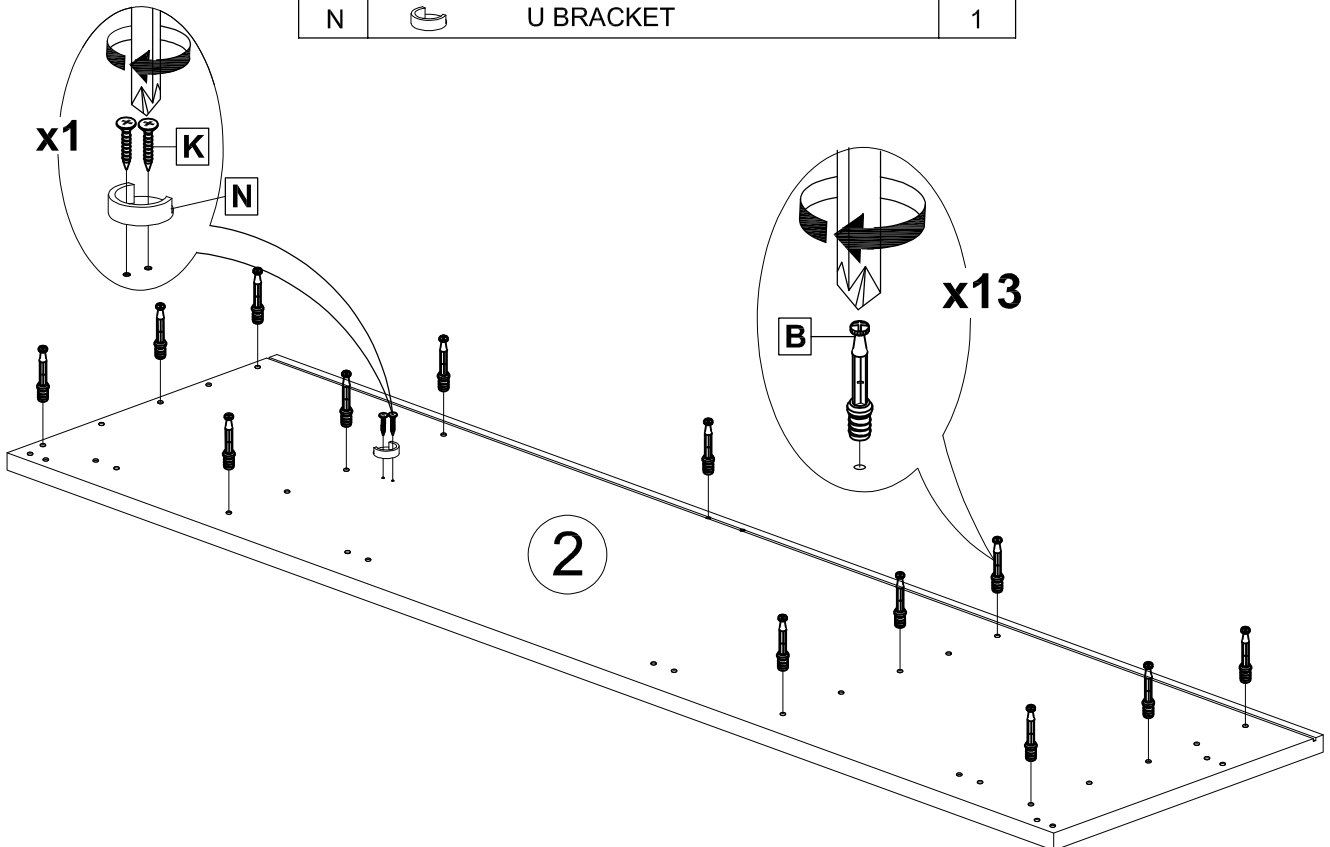
STEP 1

B		BOLT 0903 SV	13
K		SCREW M3.5 x 12MM	2
N		U BRACKET	1



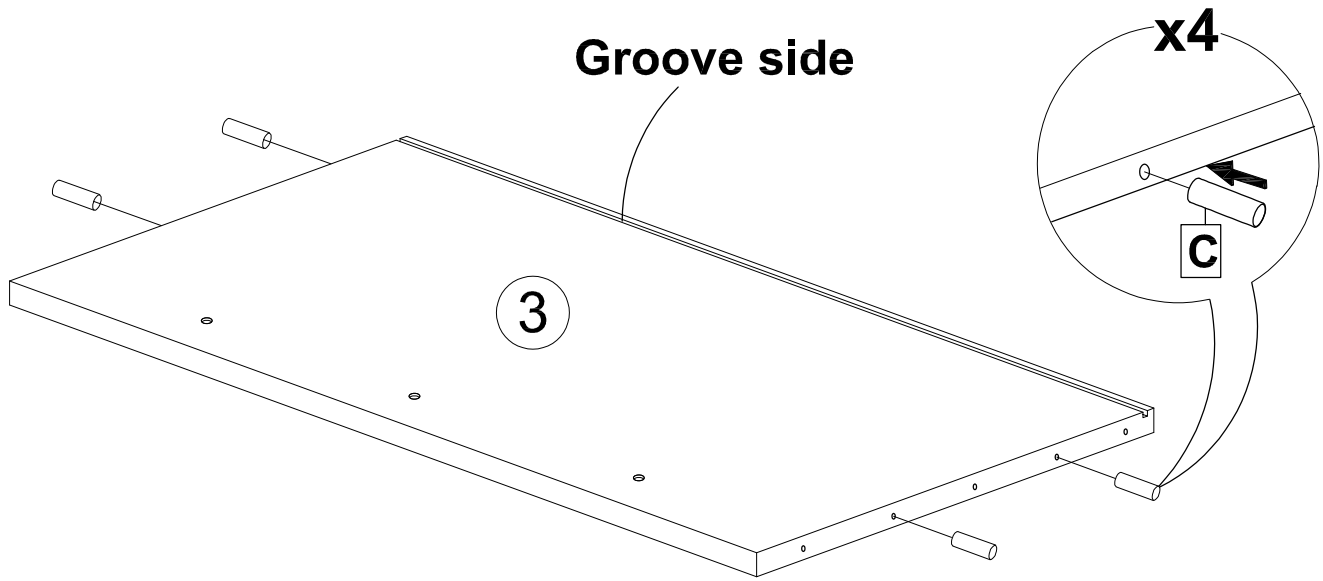
STEP 2

B		BOLT 0903 SV	13
K		SCREW M3.5 x 12MM	2
N		U BRACKET	1



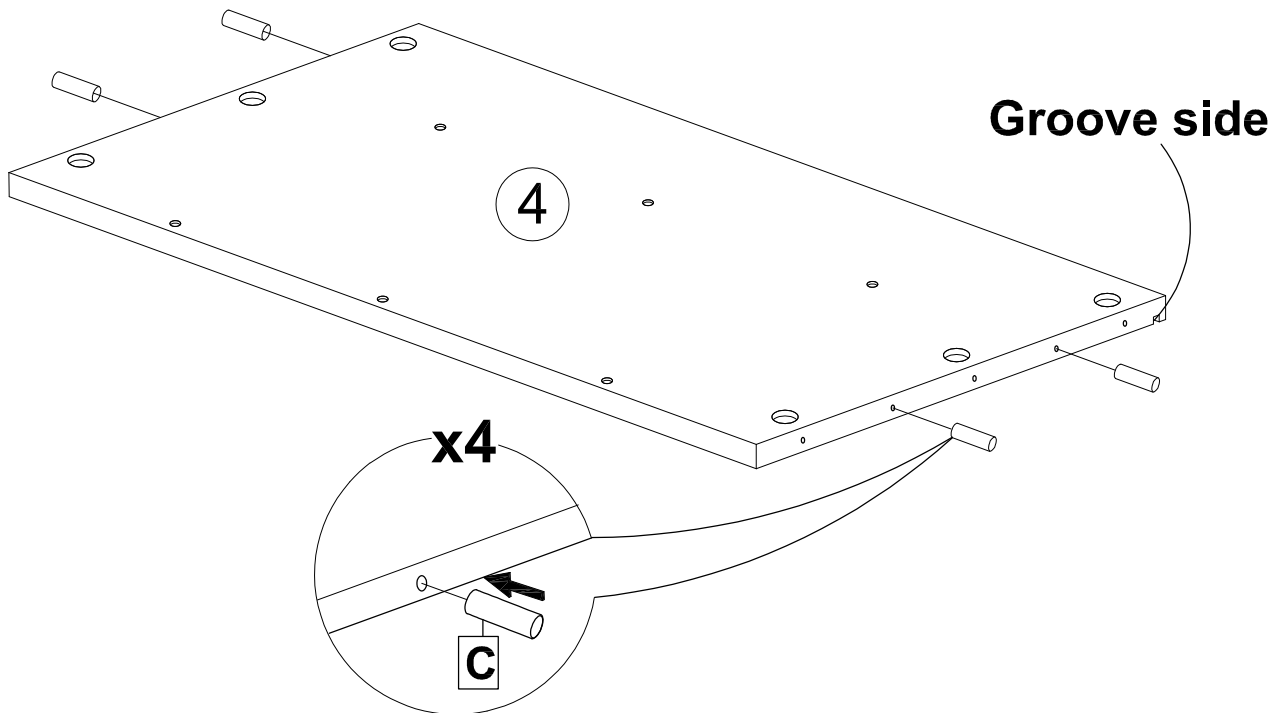
STEP 3

C		METAL DOWEL DIA 6 x 30MM	4
---	---	--------------------------	---



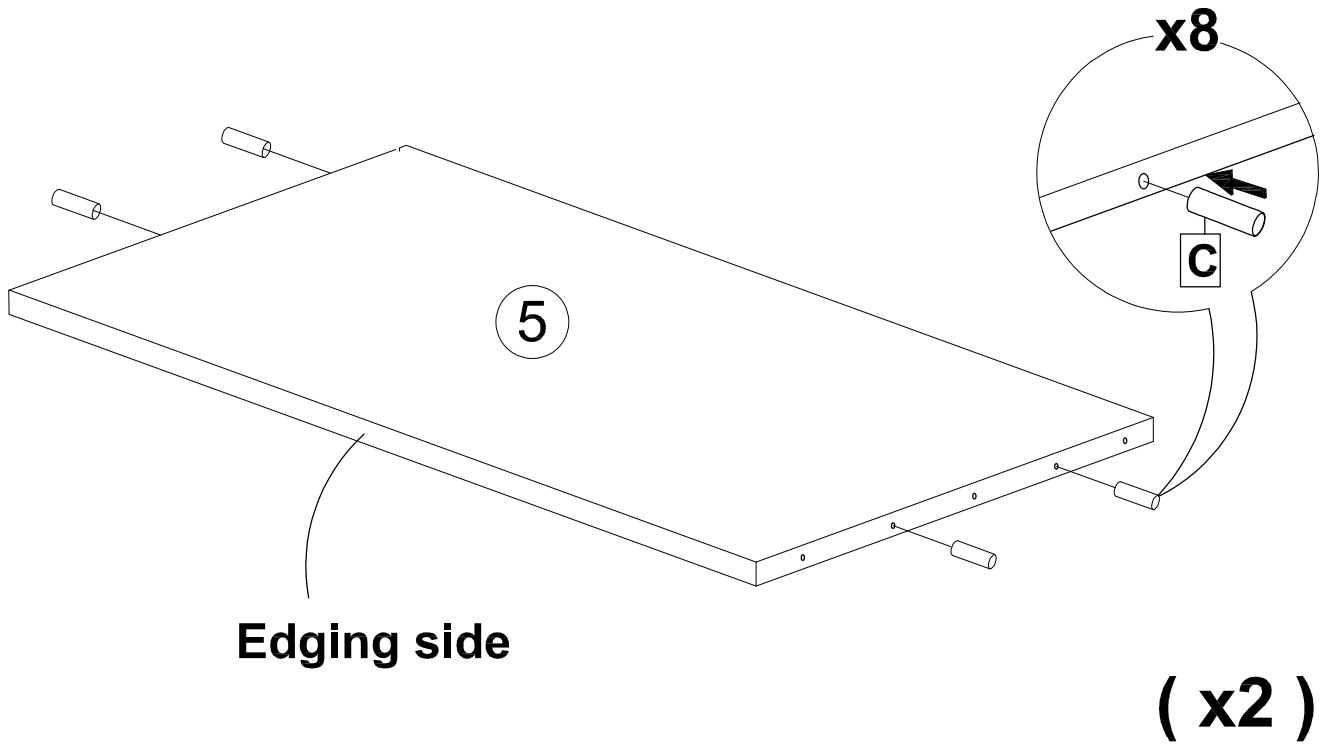
STEP 4

C		METAL DOWEL DIA 6 x 30MM	4
---	---	--------------------------	---



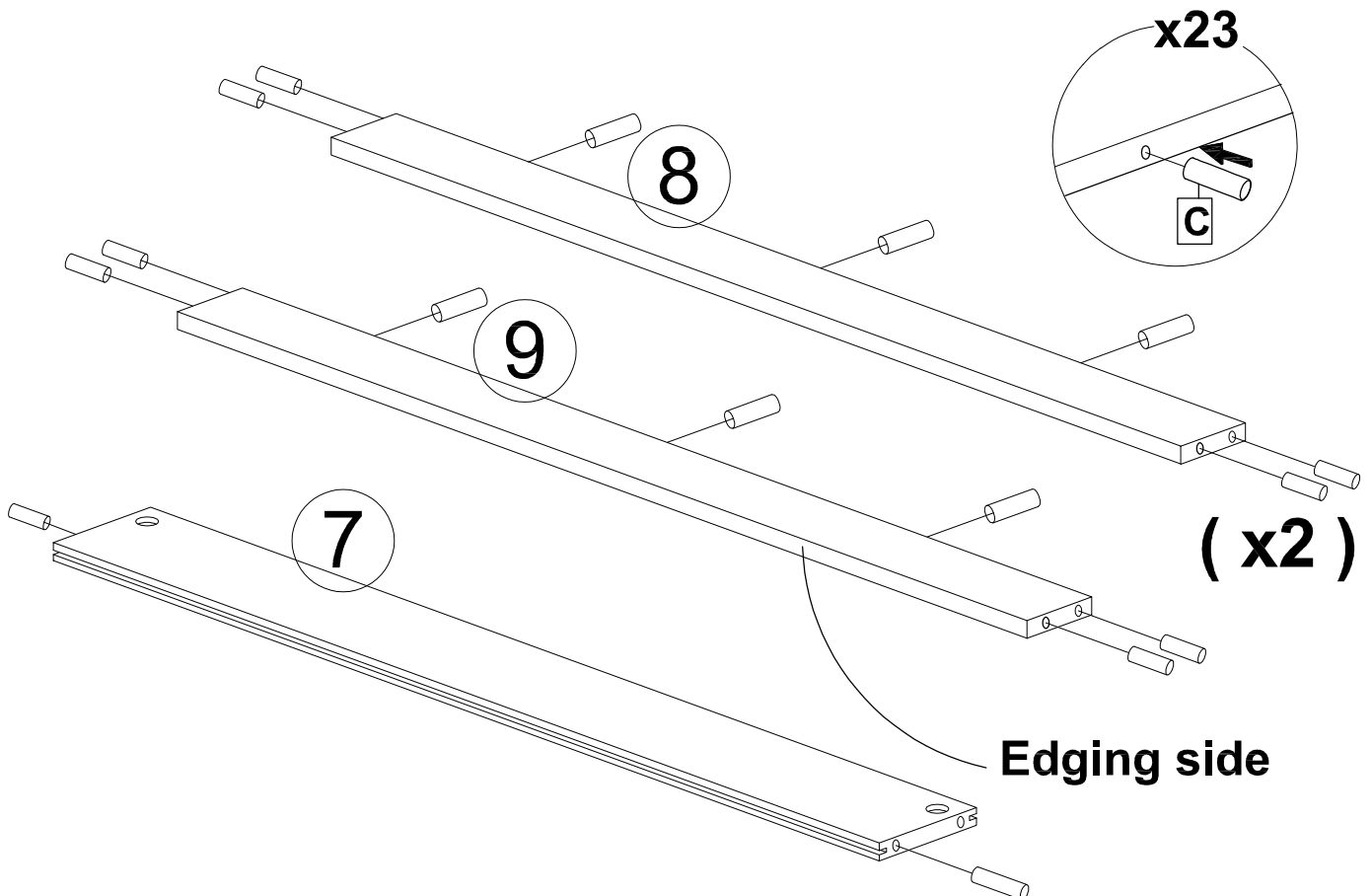
STEP 5

C		METAL DOWEL DIA 6 x 30MM	8
---	---	--------------------------	---

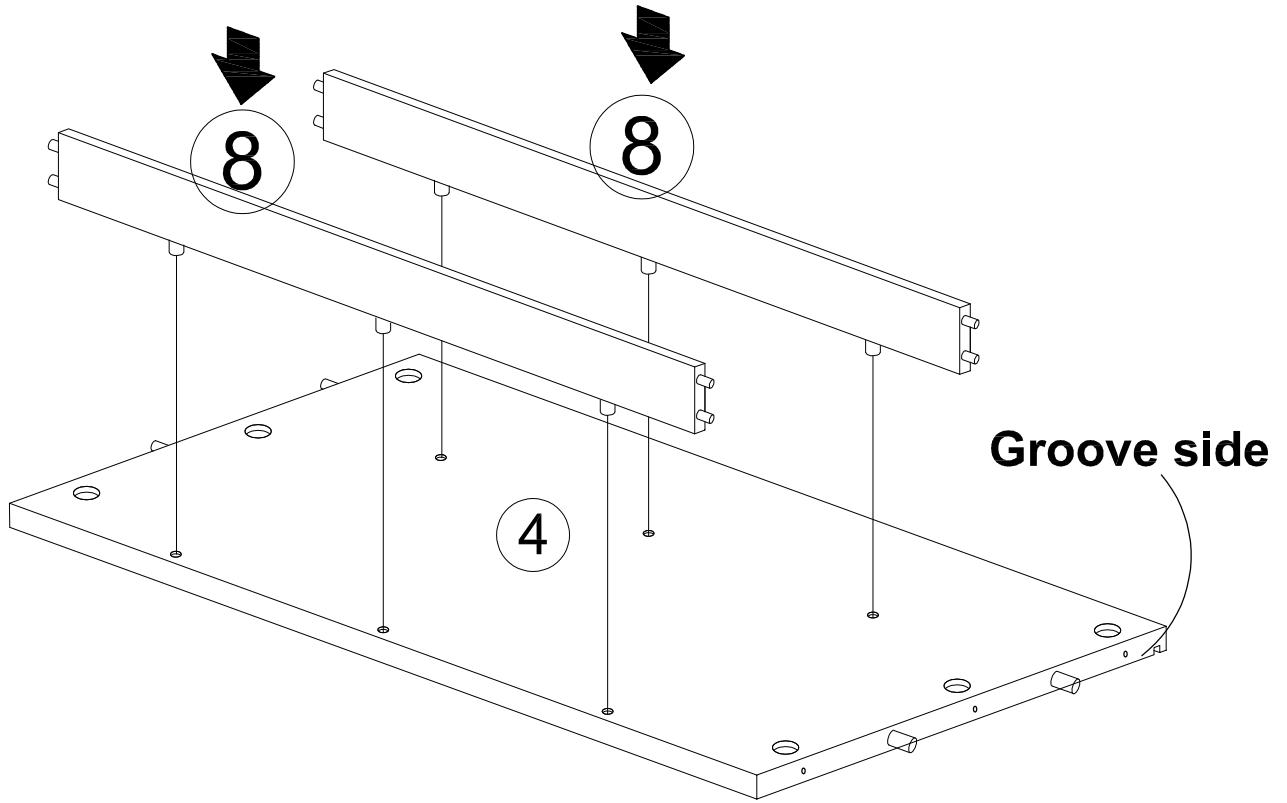


STEP 6

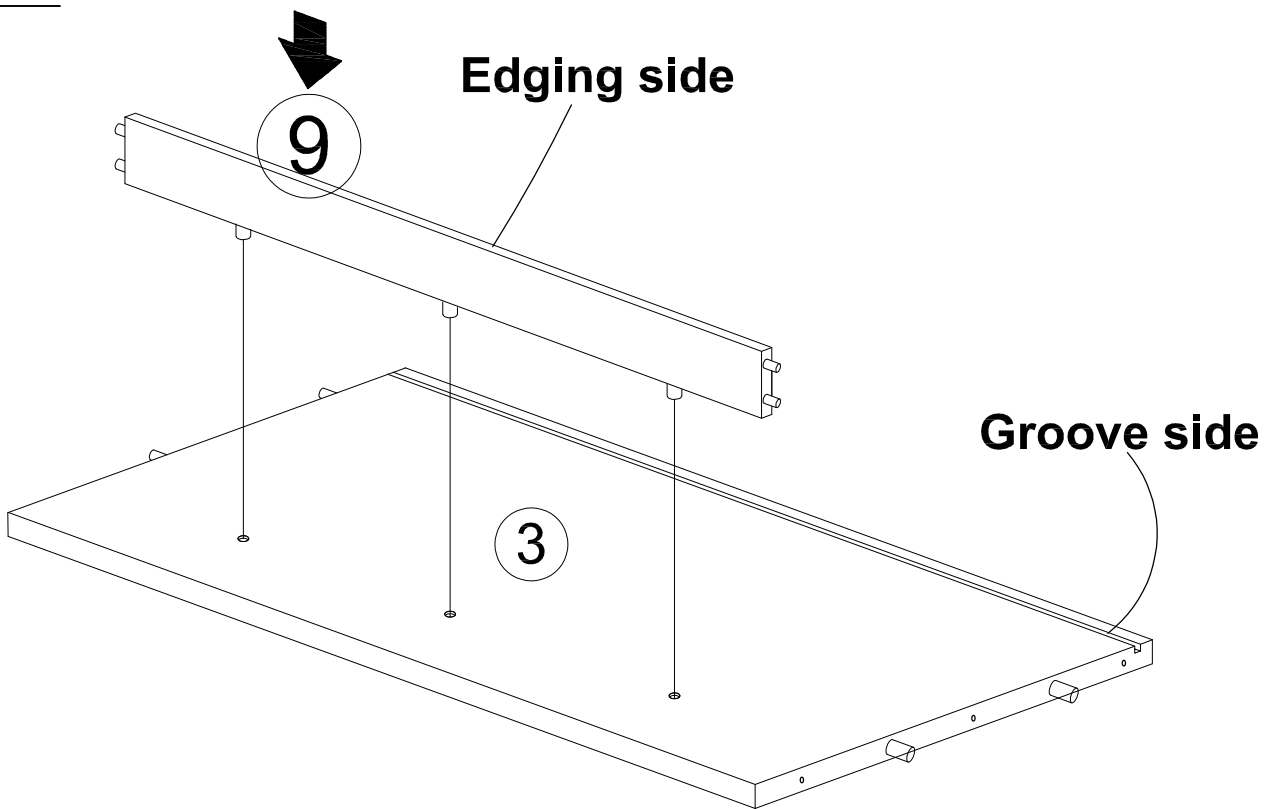
C		METAL DOWEL DIA 6 x 30MM	23
---	---	--------------------------	----





STEP 7

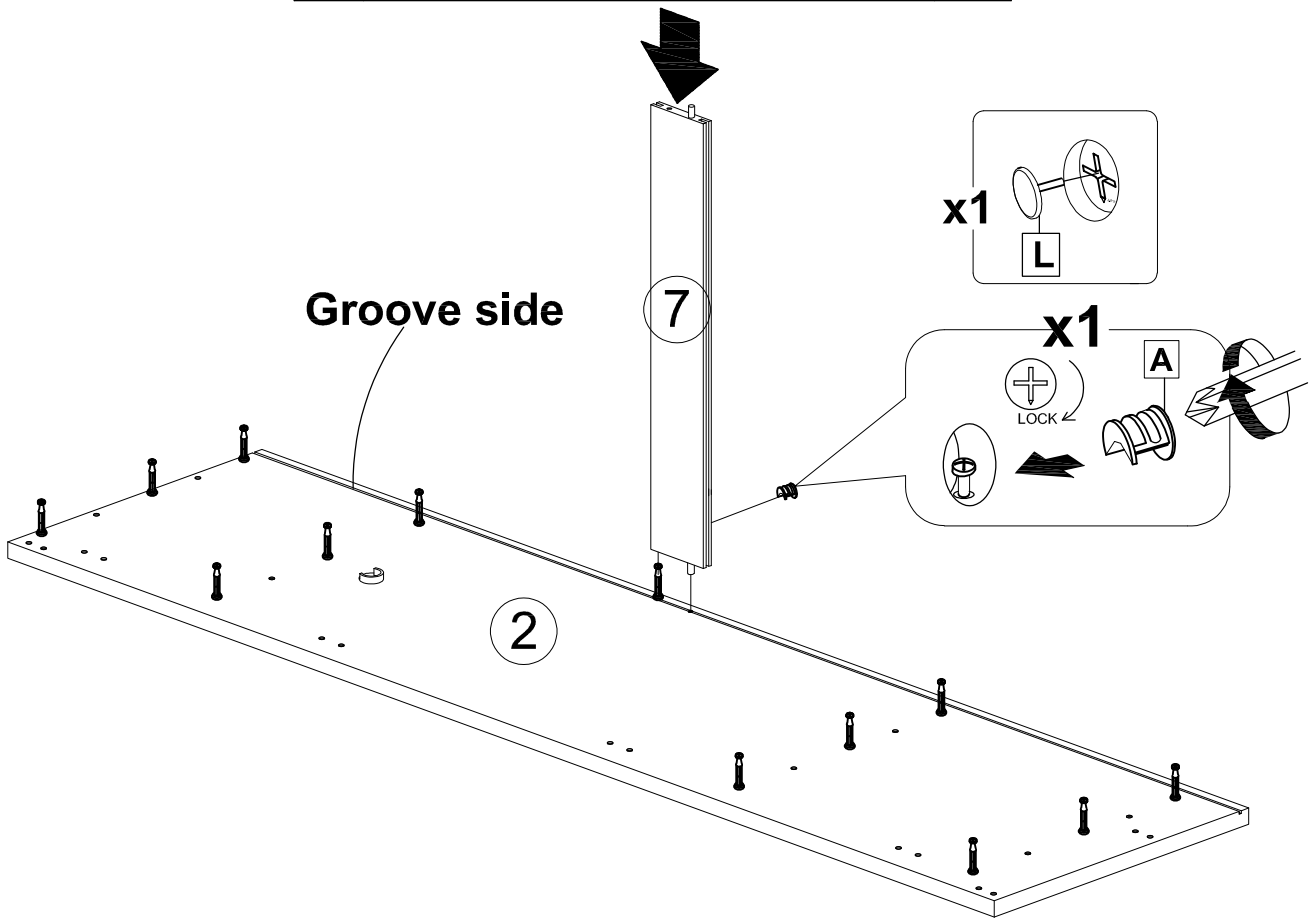


STEP 8





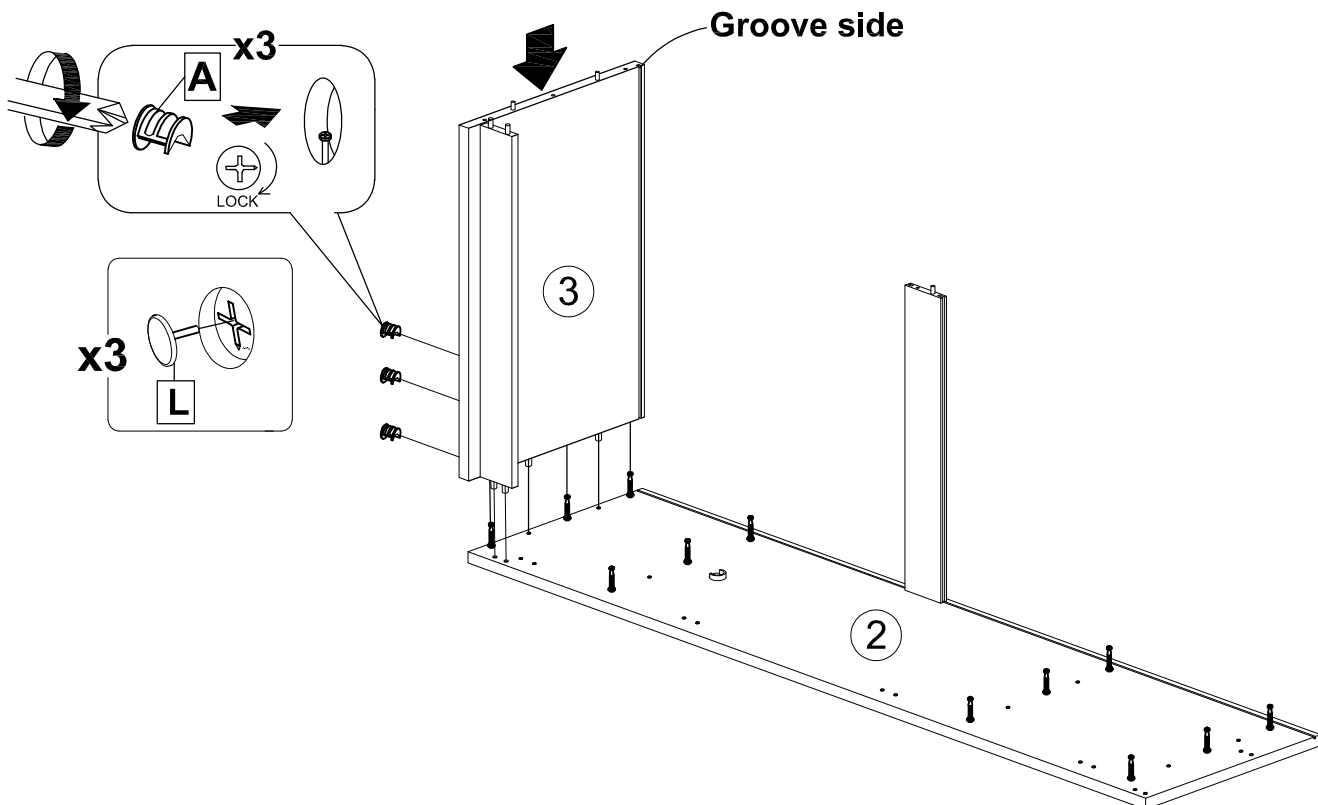
STEP 9

A		CAM 1633 SV	1
L		PVC CAP 17MM	1





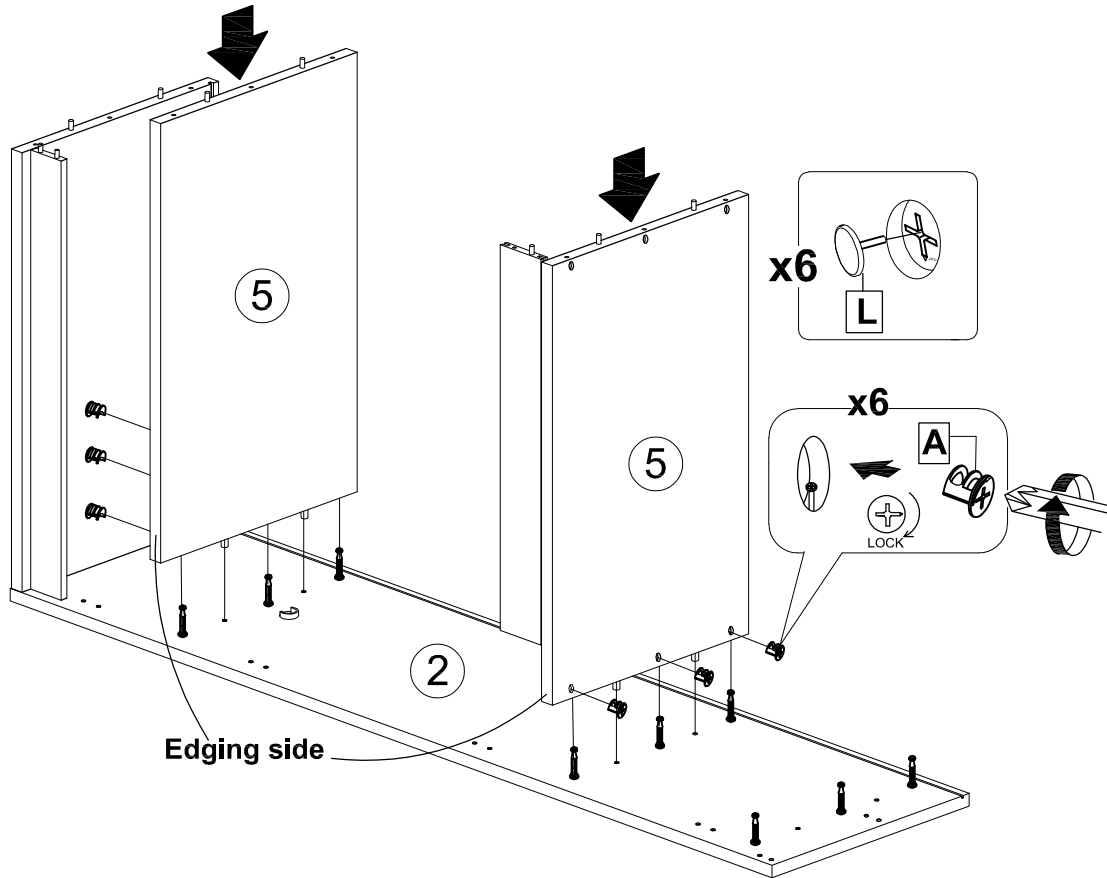
STEP 10

A		CAM 1633 SV	3
L		PVC CAP 17MM	3





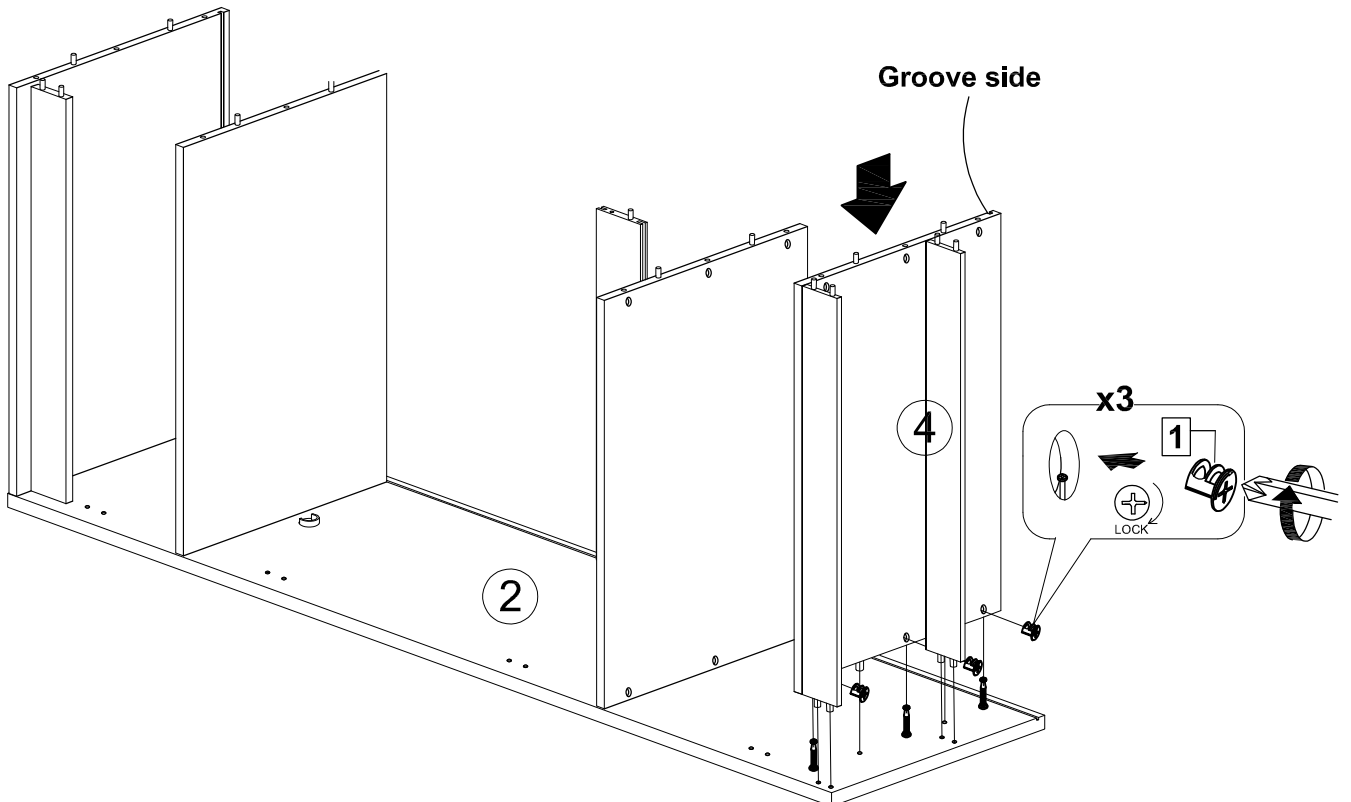
STEP 11

A		CAM 1633 SV	6
L		PVC CAP 17MM	6

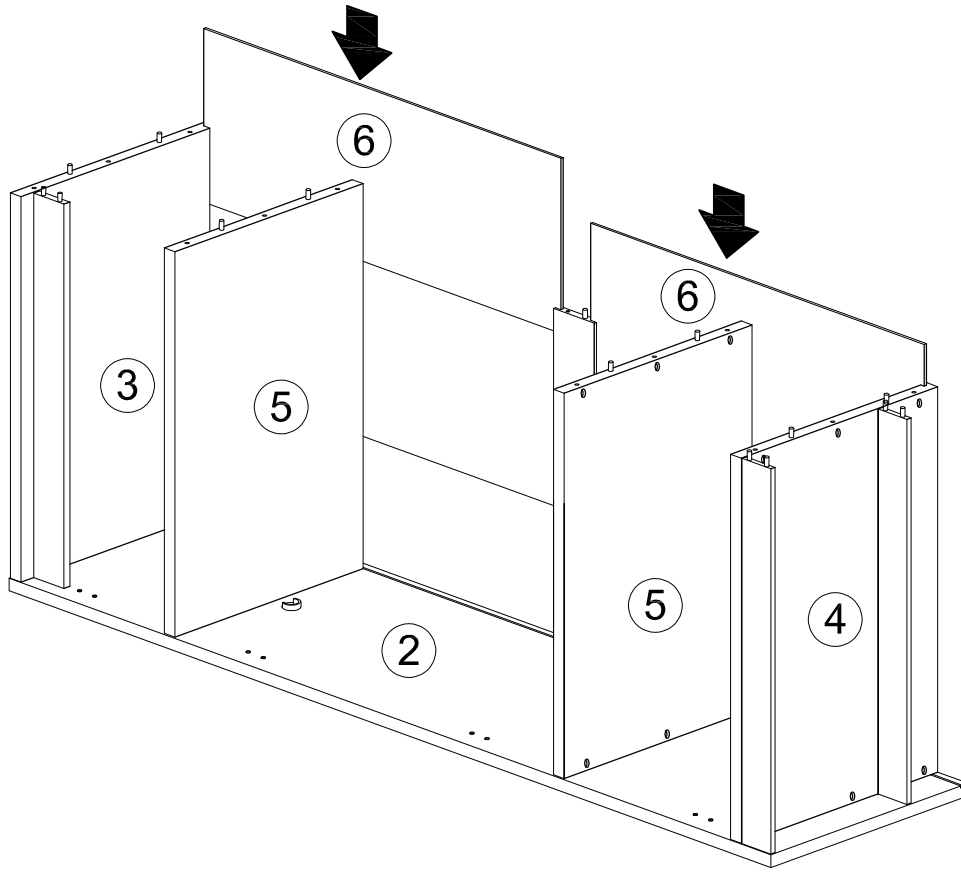


STEP 12



A		CAM 1633 SV	3
L		PVC CAP 17MM	3

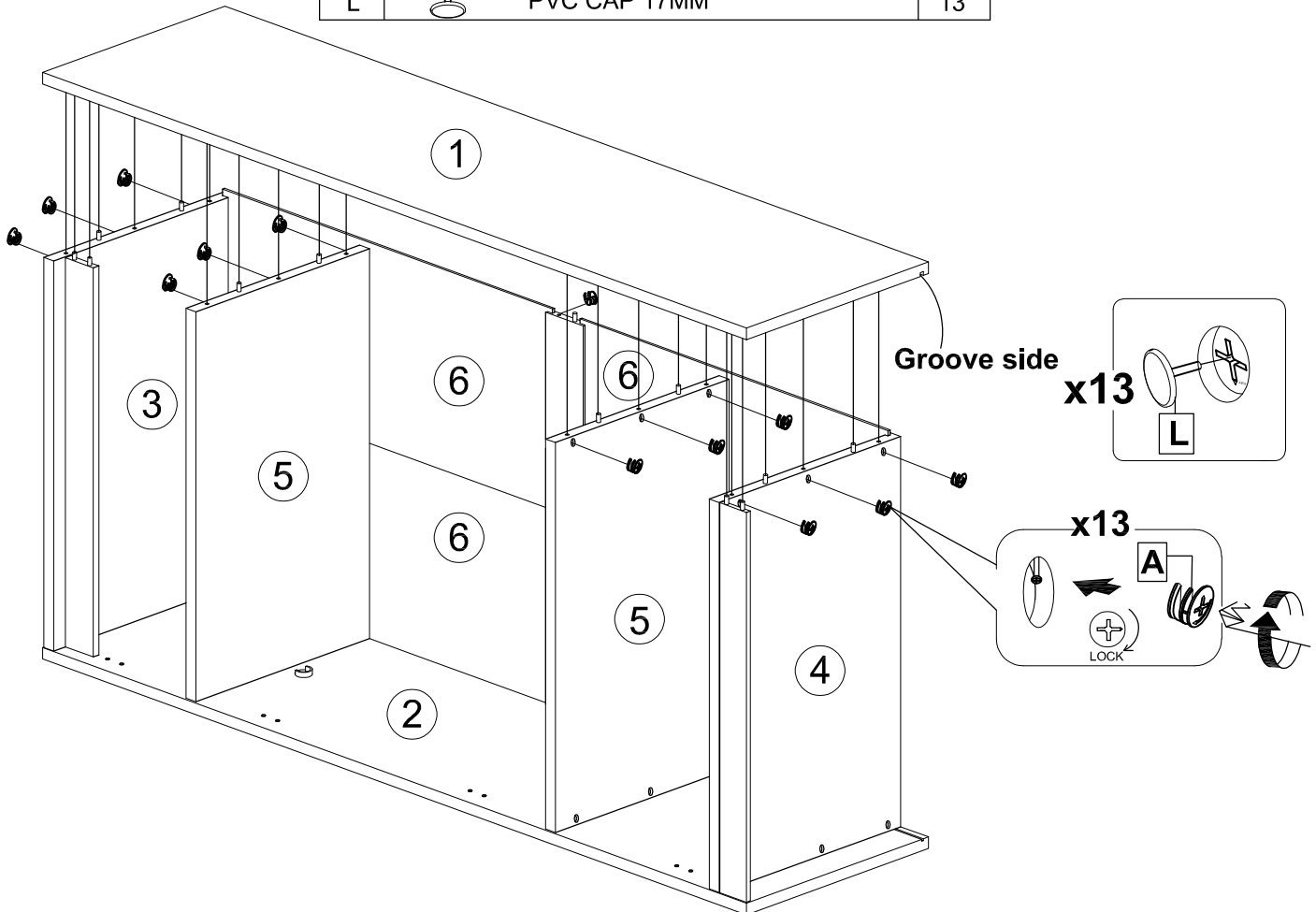


STEP 13



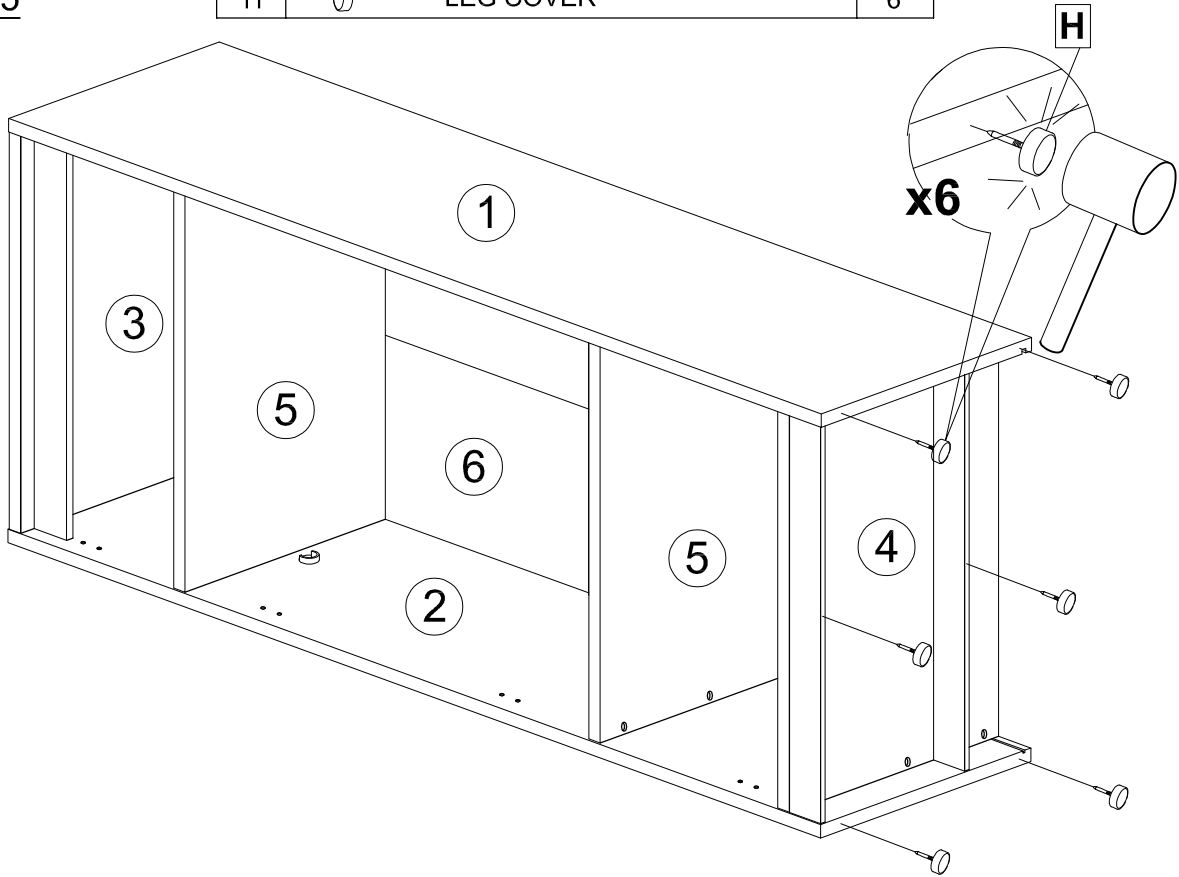
STEP 14

A		CAM 1633 SV	13
L		PVC CAP 17MM	13



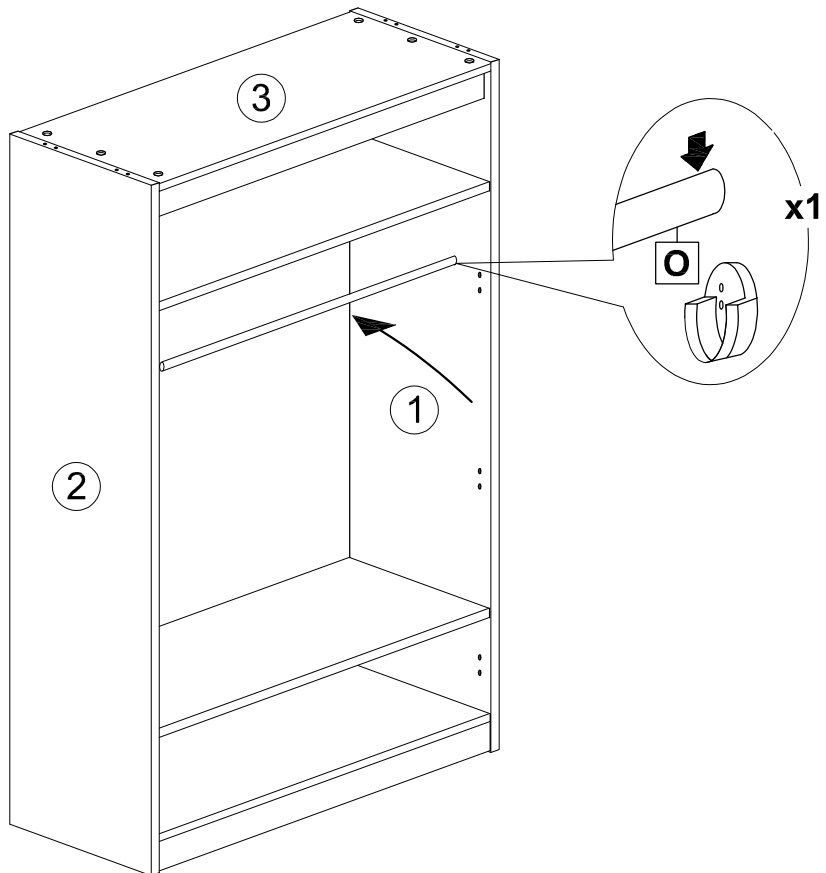
STEP 15

H		LEG COVER	6
---	---	-----------	---

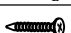



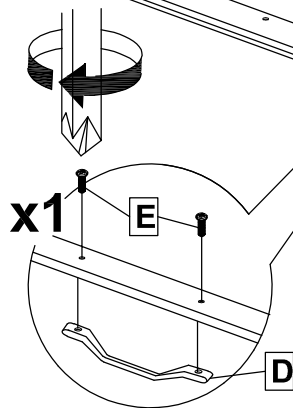
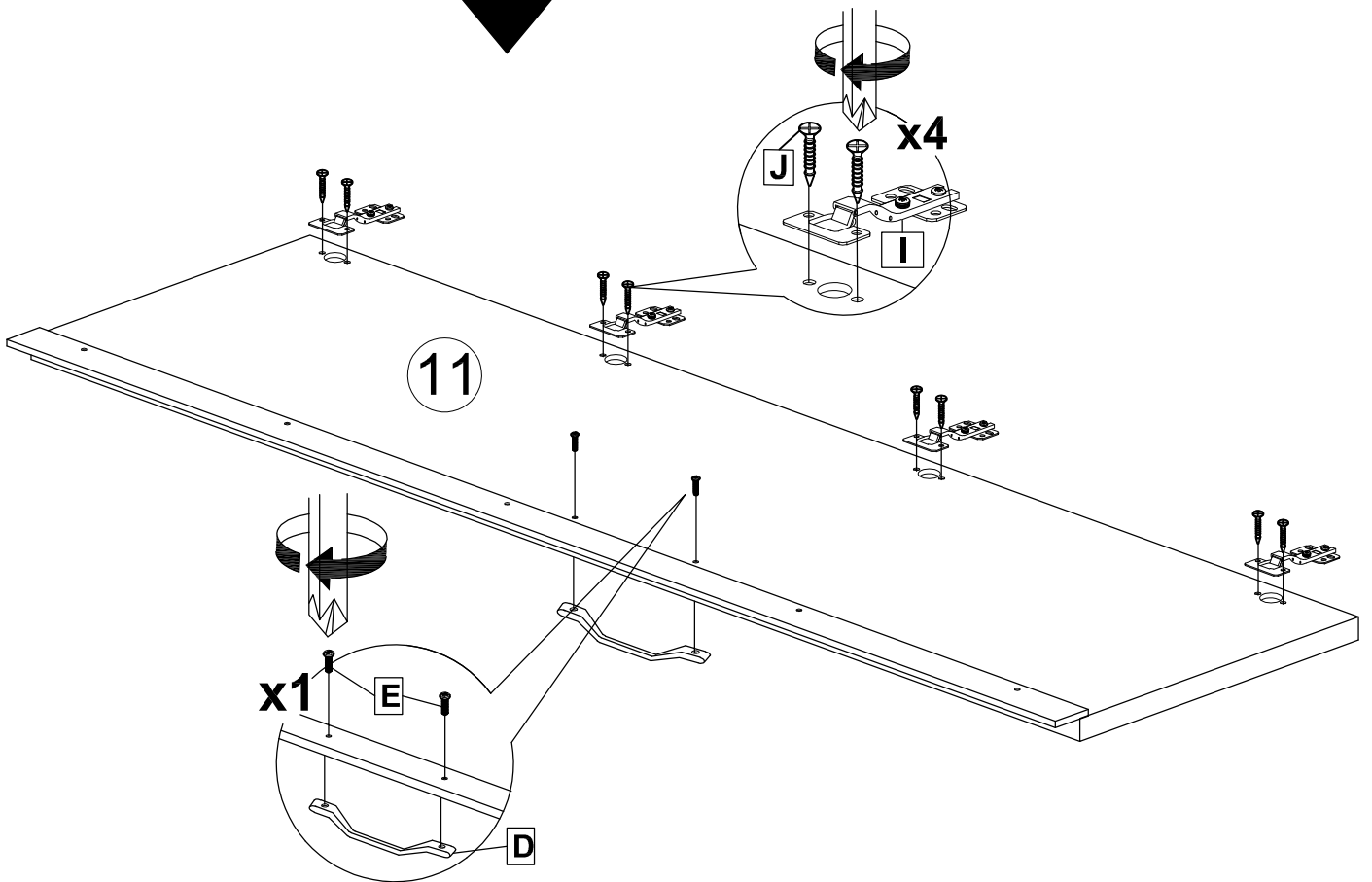
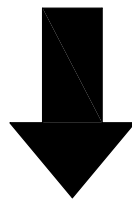
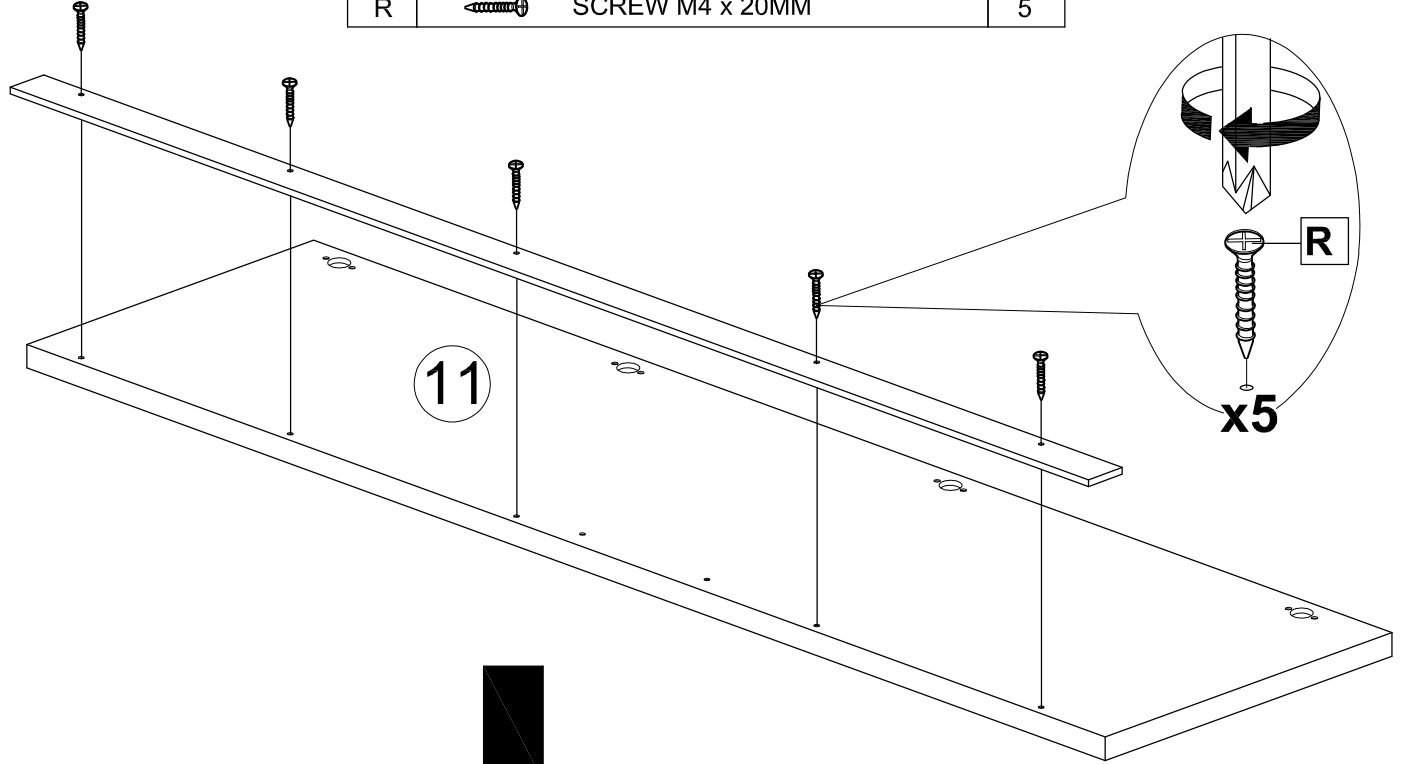
STEP 16

O		CHROME PIPE 952MM	1
---	---	-------------------	---




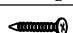


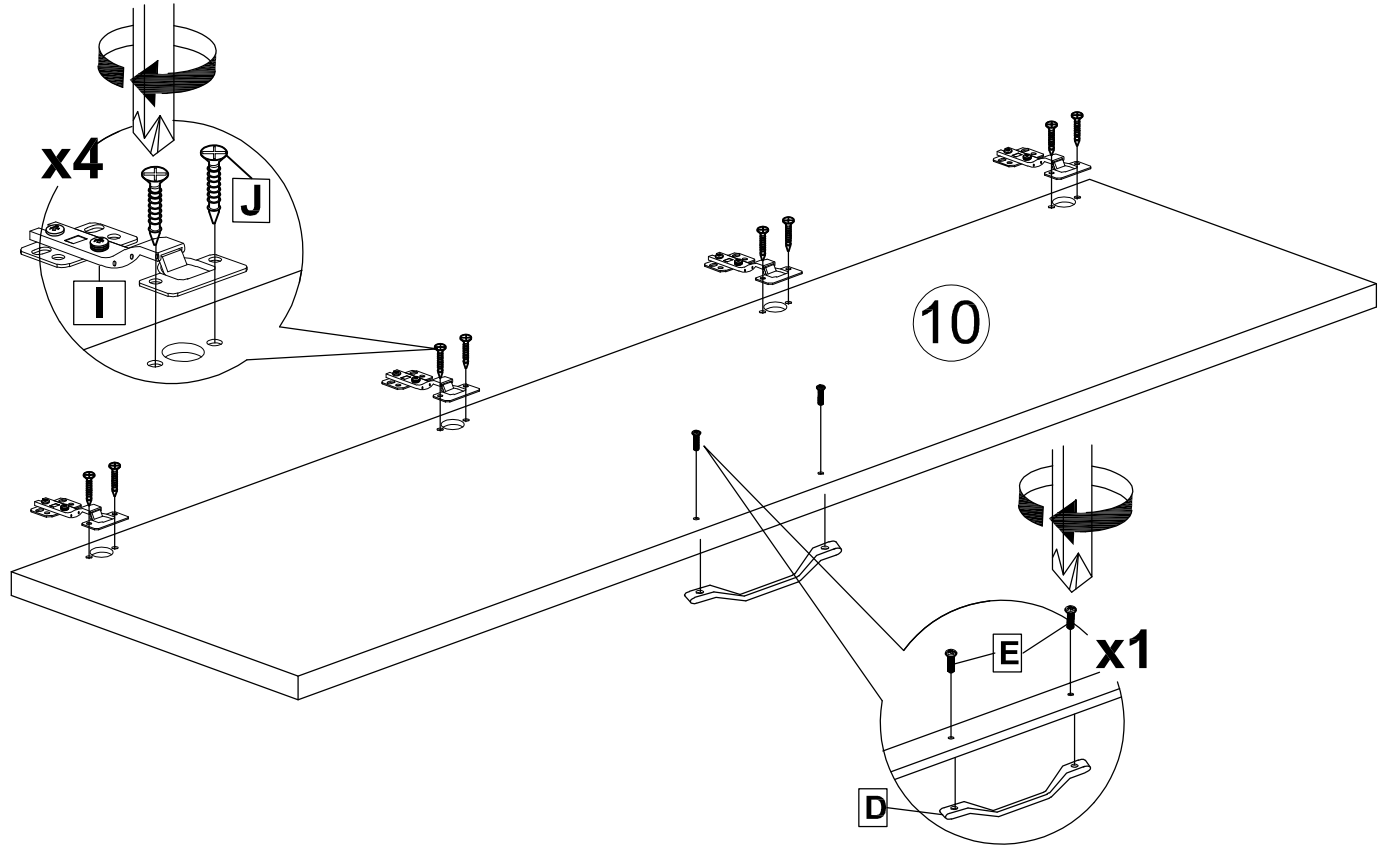
STEP 17

D		HANDLE	1
E		SCREW M4 x 25MM	2
I		HINGES 7/8	4
J		SCREW M4 x 16MM	8
R		SCREW M4 x 20MM	5

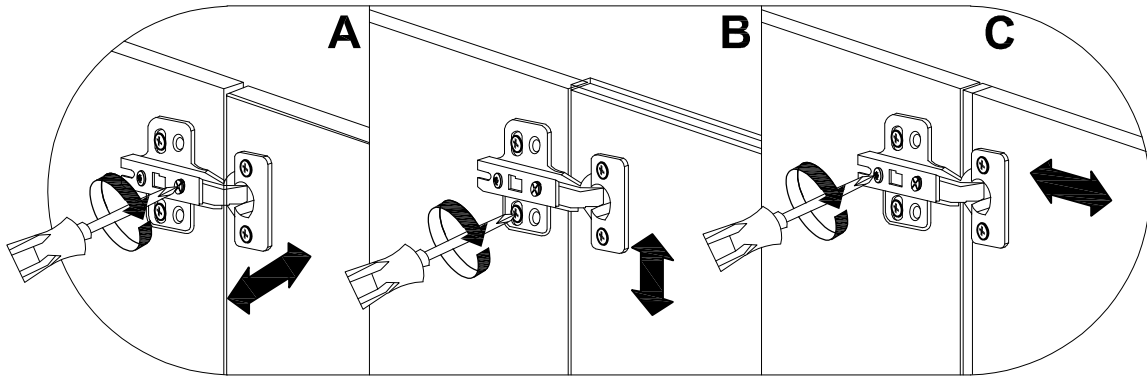


STEP 18

D		HANDLE	1
E		SCREW M4 x 25MM	2
I		HINGES 7/8	4
J		SCREW M4 x 16MM	8



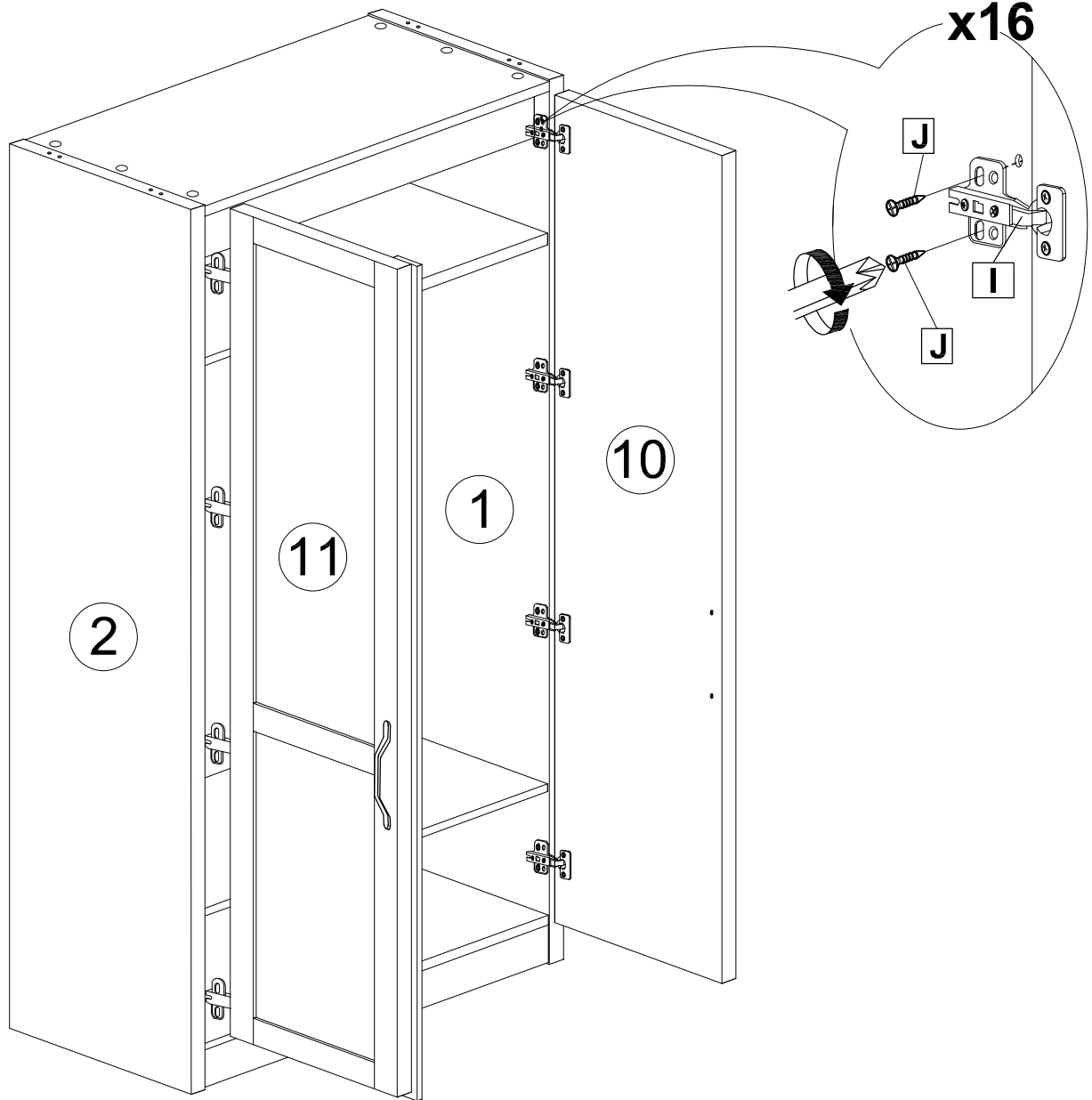
Hinges Adjustment





A. Turn front screw to adjust door overlay (sideway).

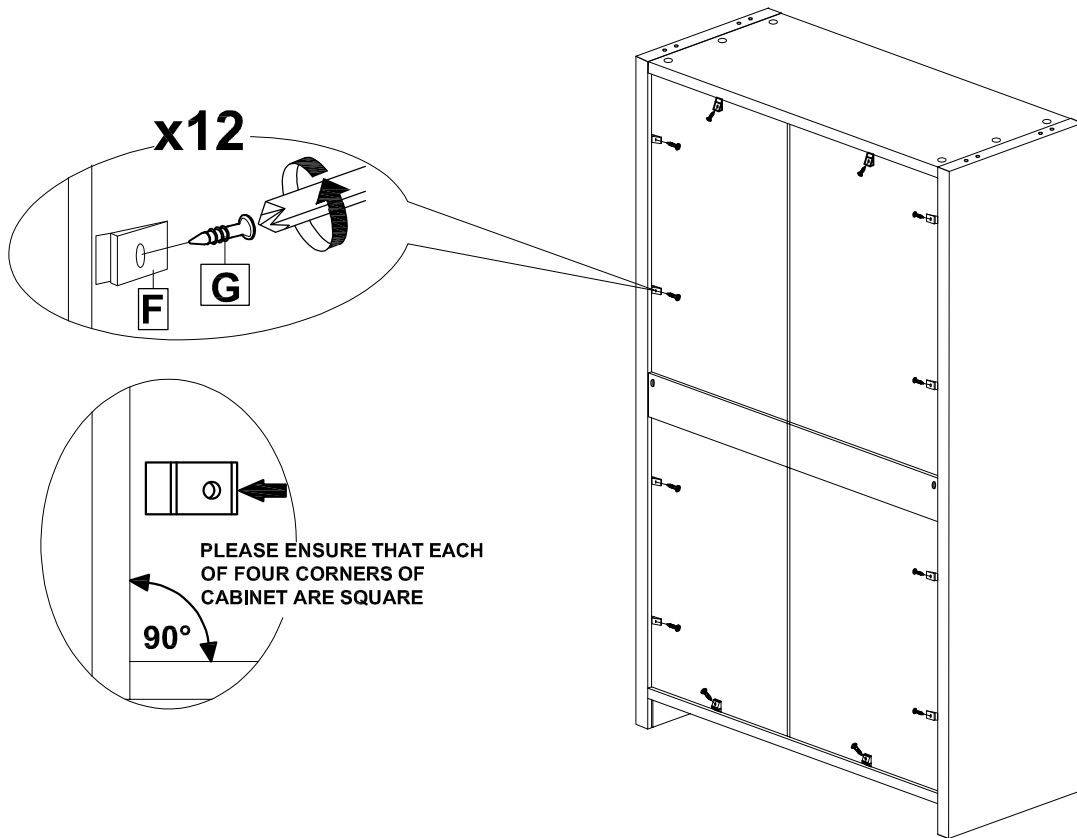
B. Rotate cam screw on mounting plate to adjust door height.

C. Turn rear screw for door depth adjustment.




STEP 20

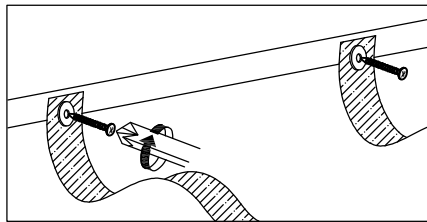
F		BACKPLY STOPPER	12
G		SCREW M3 x 20MM	12



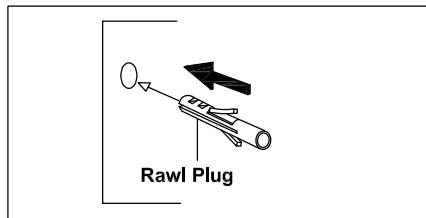
STEP 21

M		ANTI TIP STRAP	2
---	---	----------------	---

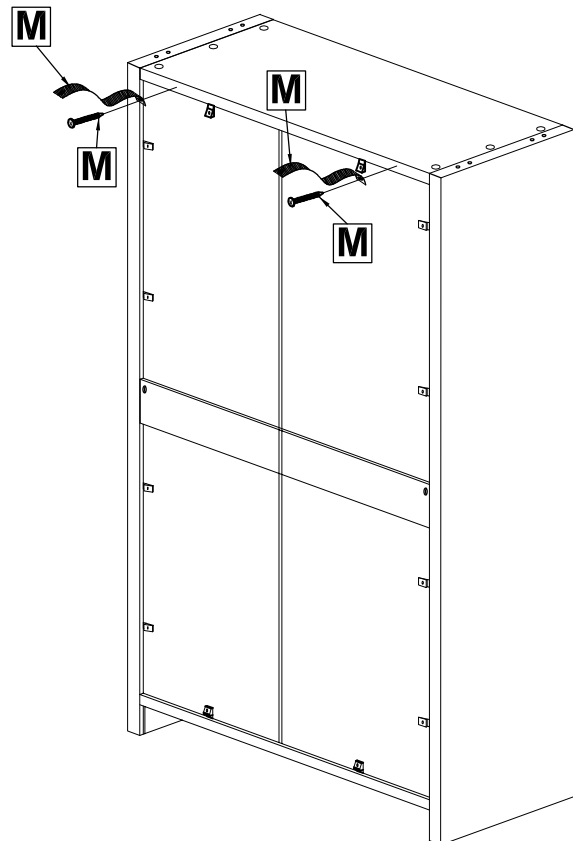
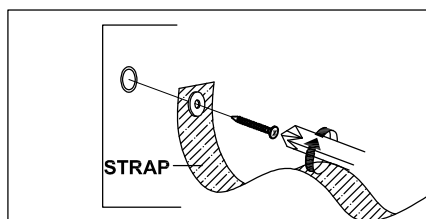
STEP 1 :
Insert the screw in the top panel of your furniture



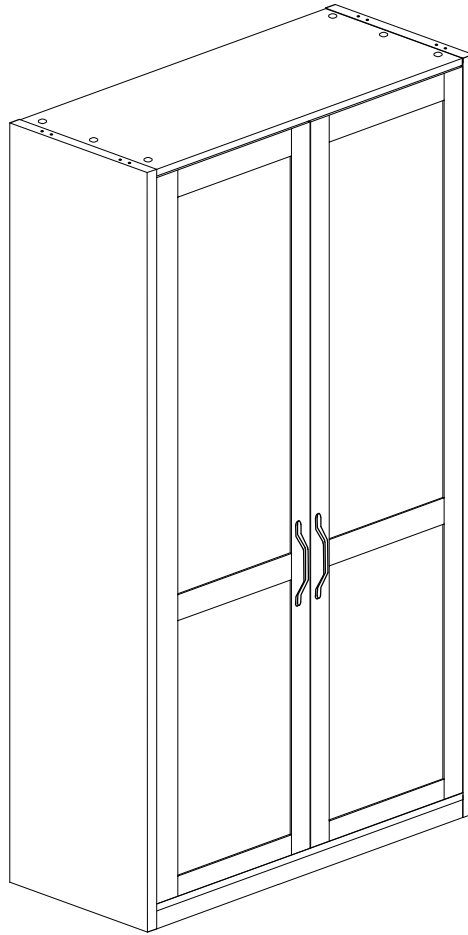
STEP 2 :
Make a hole on the wall and insert the wall plug in





STEP 3 :
Insert the screw in the wall plug hole

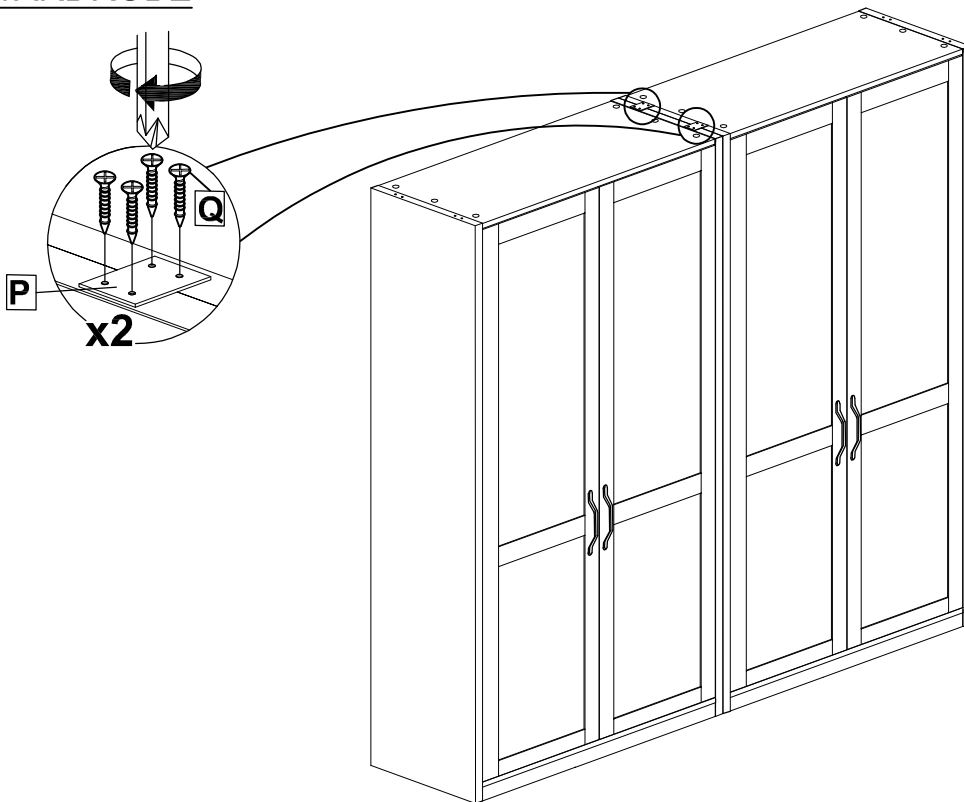


COMPLETED



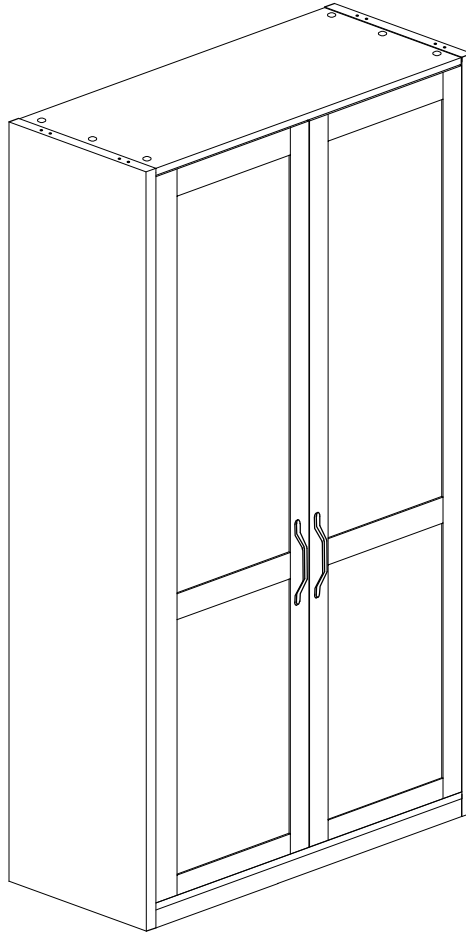
OPTIONAL TO
COMBINE A
WARDROBE

P		METAL PLATE	2
Q		SCREW M3.5 x 16MM	8



MAINTENANCE AND CARE GUIDE

AUSTEN WHITE 2 DOOR WARDROBE



Maintenance:

- To clean and care for your furniture.
- Use a soft, clean cloth that **will** not scratch the surface when dusting.
- Use of furniture polishes is not necessary. Should you choose to use polishes, test first in an inconspicuous area.
- Using solvents of any kind on your furniture may damage the finish.
- Never use water to clean your furniture as it may cause damage to the finish.
- Always use coasters under beverage glasses and flowerpots.
- Liquid spills should be removed immediately. Using a soft clean cloth, blot the spill gently. Avoid rubbing.
- Always use protective pads under hot dishes and plates. Heat can cause chemical changes that may create spotting within the furniture finish.
- Stains or marks from crayons or ink markers **will** be difficult to remove.
- In the event that your furniture is stained or otherwise damaged during use, we recommend that you call a professional to repair your furniture.
- Check bolts/screws periodically and tighten them if necessary.

Care and cleaning:

- It is best to keep your furniture in a climate-controlled environment. Extreme temperature and humidity changes can cause fading, warping, shrinking and splitting of wood. It is advised to keep furniture away from direct sunlight as sun may damage the finish.
- Proper care and cleaning at home **will** extend the **life** of your purchase. Following these important and helpful tips **will** enhance your furniture as it ages.