


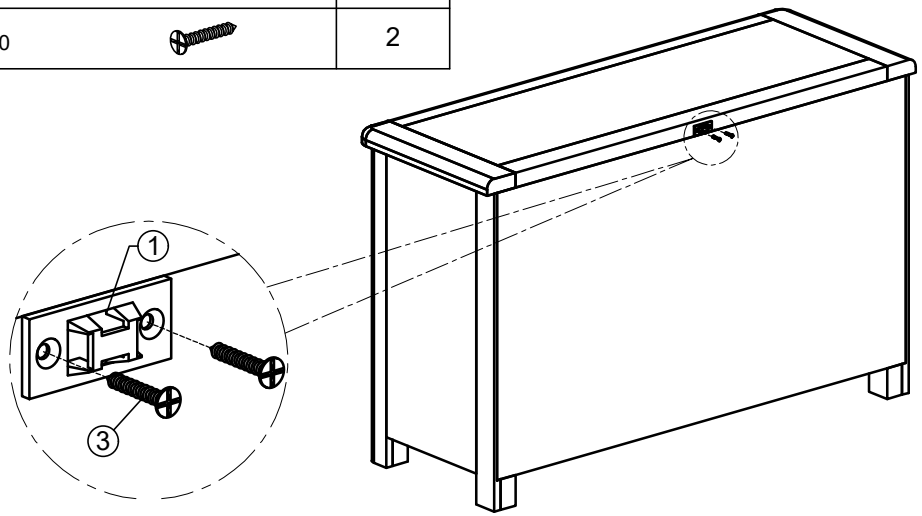


# ASSEMBLY INSTRUCTION

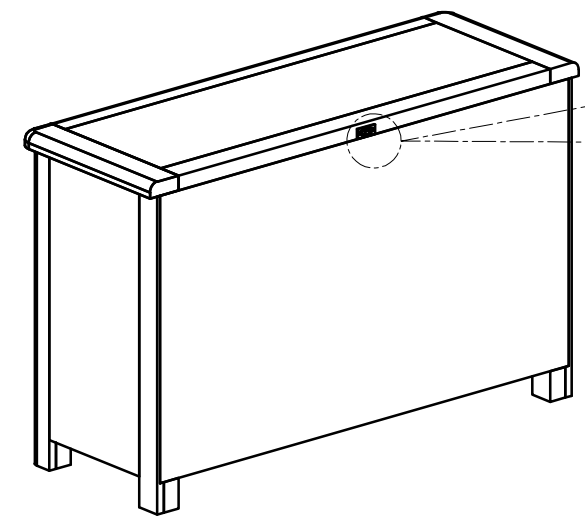
## 6 DRAWER CHEST

No	LIST OF HARDWARE	Q.ty (pcs)
①	Plastic bracket 	2
②	Tie 	1
③	Screw Ø4x20 	2

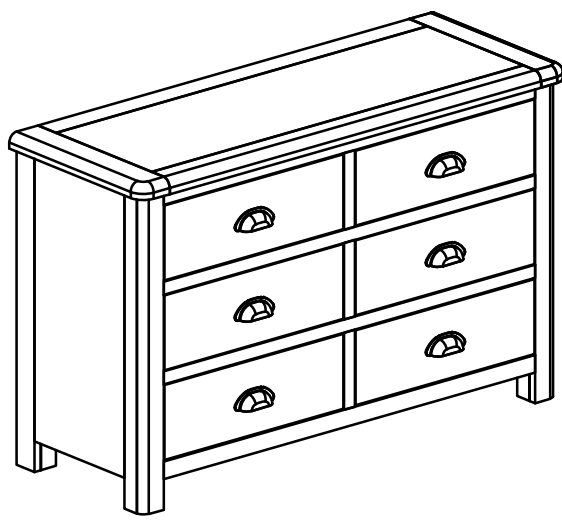
### STEP 1



### STEP 1



### STEP 2



### FINAL