


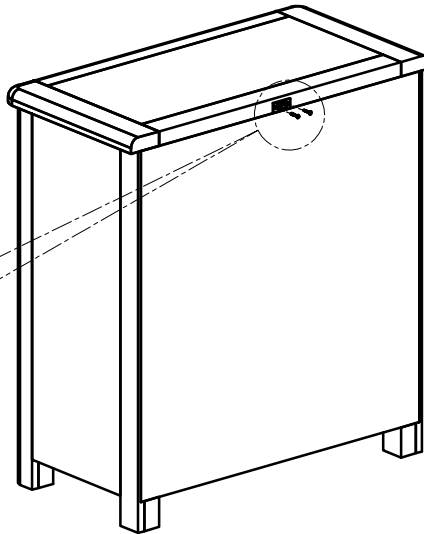
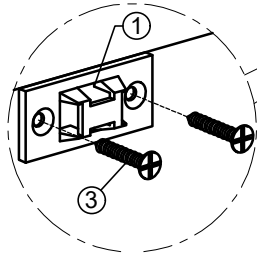


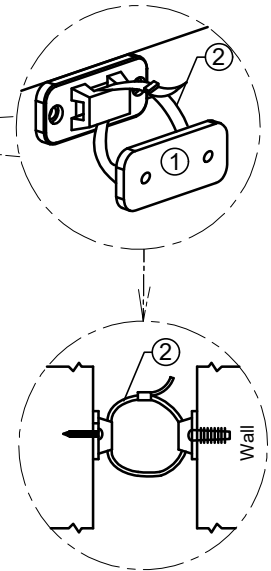
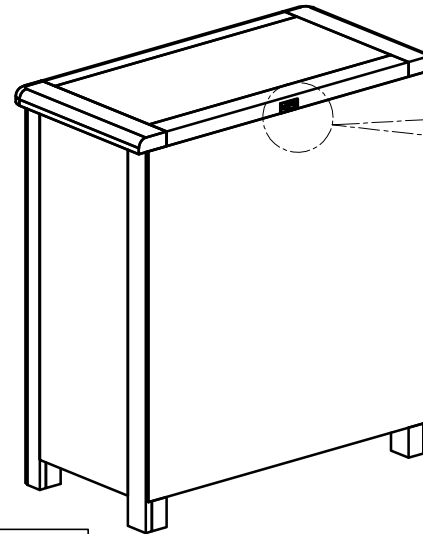
ASSEMBLY INSTRUCTION 3 DRAWER WIDE CHEST

No	LIST OF HARDWARE	Q.ty (pcs)
①	Plastic bracket 	2
②	Tie 	1
③	Screw Ø4x20 	2

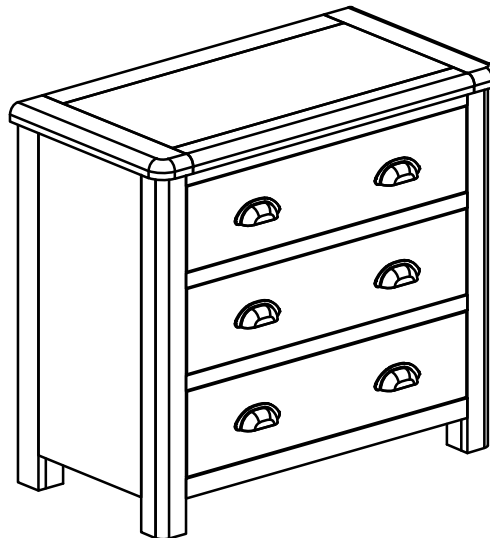
STEP 1



STEP 2



STEP 1



FINAL