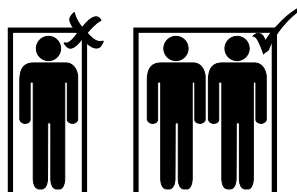
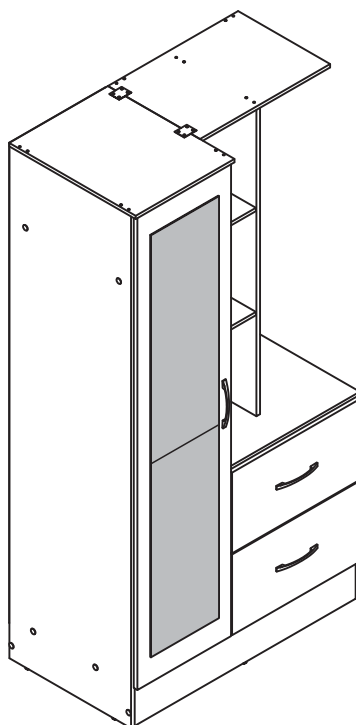


NEVADA MIRRORED OPEN SHELF WARDROBE ASSEMBLY INSTRUCTIONS GREY GLOSS / LIGHT OAK EFFECT VENEER



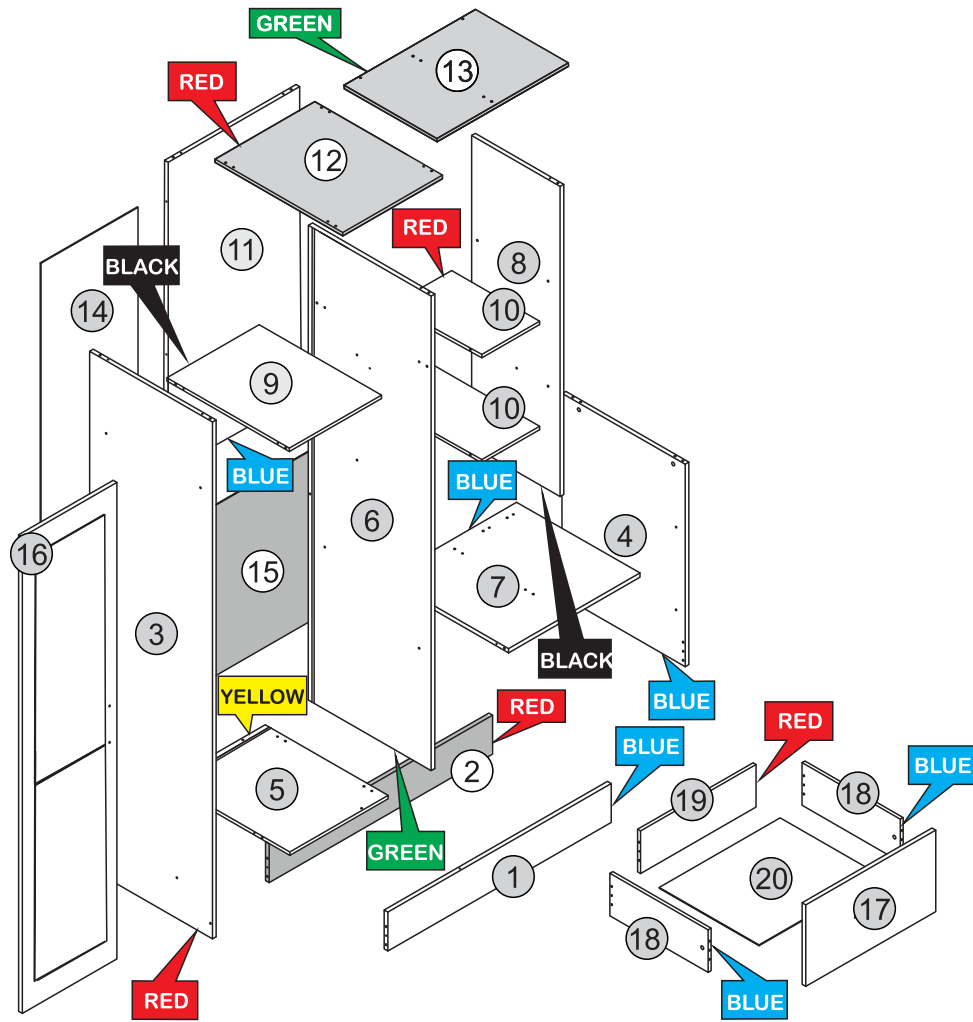
IMPORTANT FOR DOMESTIC USE ONLY

PLEASE READ BEFORE YOU CONTINUE FURTHER

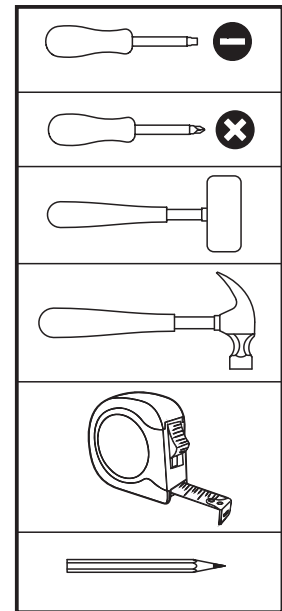
CARE AND MAINTENANCE

After unpacking this product please keep the original packaging in case it needs to be returned for any reason.

- Please ensure all fittings and parts are present before commencing with assembly.
- Never drag or push products as this could cause damage to the joints making it inferior.
- We strongly recommend that you keep children away from your work area.
- We recommend that you lay a blanket or sheet on the floor to avoid damage to both your floor and the product.
- Assemble this product as close to its final position as possible.
- Do not place this product next to a radiator or in direct sunlight.
- Do not drag or push items across your high gloss furniture as this may cause the surface to scratch
- Wood is a natural product and may expand if subjected to damp and may shrink or crack if subjected to heat. Therefore it is recommended that room temperature is maintained, with no sudden temperature fluctuations.
- Make sure any spillage is wiped off immediately.
- Do not place hot or chilled items directly on to the surface, use a place mat or marking will occur.
- For general cleaning use a soft cotton or micro fibre cloth, and do not use detergents of any kind.
- From time to time it may be necessary to tighten fittings, regular inspections should be carried out.
- Do not place on a wet or damp floor as staining may occur to your floor.



TOOLS REQUIRED



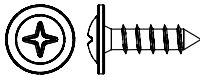

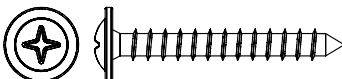
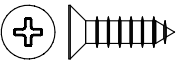
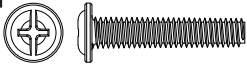



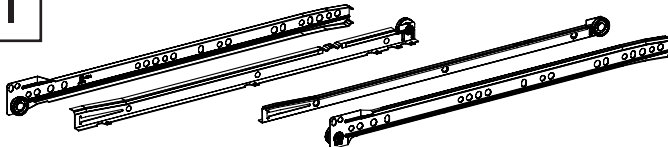
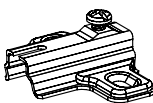
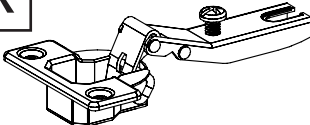
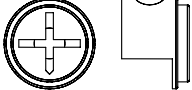
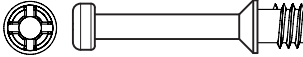

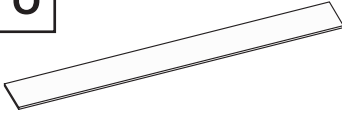
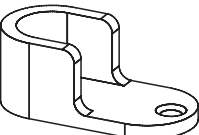

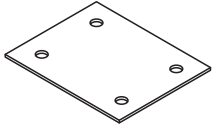
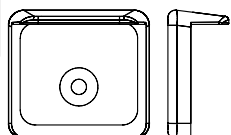
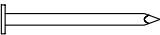

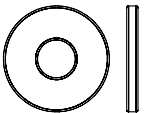
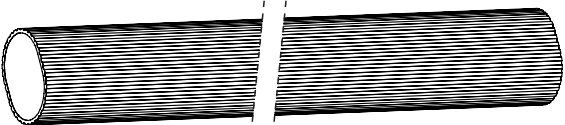
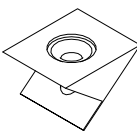
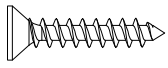
PARTS LIST

Please Note:

The below parts have all been stamped with the part number/color to help identify them during assembly.

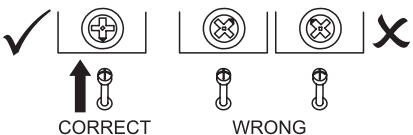
Part Numer/Color	Part Code	Part Description	Quantity	Carton
1	S100-101-140-SP1-01	Front Baseboard - BLUE	1	2/2
2	S100-101-140-SP1-02	Back Baseboard - RED	1	2/2
3	S100-101-140-SP1-03	Left Side Panel - RED	1	1/2
4	S100-101-140-SP1-04	Right Side Panel - BLUE	1	2/2
5	S100-101-140-SP1-05	Small Base Panel - YELLOW	1	2/2
6	S100-101-140-SP1-06	Left Division Panel - GREEN	1	1/2
7	S100-101-140-SP1-07	Drawer Top Panel - BLUE	1	2/2
8	S100-101-140-SP1-08	Division Panel - BLACK	1	2/2
9	S100-101-140-SP1-09	Shelf - BLACK	1	2/2
10	S100-101-140-SP1-10	External Shelf - RED	2	2/2
11	S100-101-140-SP1-11	Back Panel - BLUE	1	2/2
12	S100-101-140-SP1-12	Top Panel - RED	1	2/2
13	S100-101-140-SP1-13	Large Top Panel - GREEN	1	2/2
14	S100-101-140-SP1-14	Large Back Panel	1	1/2
15	S100-101-140-SP1-15	Small Back Panel	1	2/2
16	S100-101-140-SP1-16	Door	1	1/2
17	S100-101-140-SP1-17	Drawer Front	2	2/2
18	S100-101-140-SP1-18	Drawer Side - BLUE	4	2/2
19	S100-101-140-SP1-19	Drawer Back Panel - RED	2	2/2
20	S100-101-140-SP1-20	Drawer Bottom	2	1/2

FITTINGS LIST

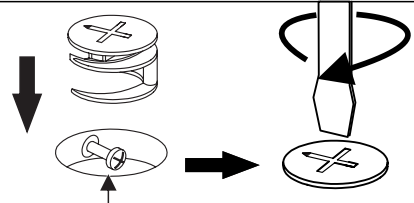
<p>A</p>  <p>Flan Head Screw Ø3,5x12mm (3x)</p> <p>1/+</p>	<p>B</p>  <p>Flat Head Screw Ø4,0 x 45mm (43x)</p> <p>2/+</p>	<p>C</p>  <p>Flan Head Screw Ø3,5x20mm (2x)</p> <p>1/+</p>	
<p>D</p>  <p>Flat Head Screw Ø4,0 x 14mm (38x)</p> <p>2/+</p>	<p>E</p>  <p>Flan Head Screw MQ M4 x 20mm (6x)</p> <p>1/+</p>	<p>F</p>  <p>Flat Head Screw Ø6,0 x 8mm (8x)</p> <p>1/+</p>	<p>G</p>  <p>Handle (3x)</p>
<p>H</p>  <p>Glue (3x)</p>	<p>I</p>  <p>Drawer Runners (2x)</p>		<p>J</p>  <p>Hinge Plate (3x)</p>
<p>K</p>  <p>Hinge (3x)</p>	<p>L</p>  <p>Cam Nut 12mm (6x)</p> <p>1/+</p>	<p>M</p>  <p>Cam Bolt (6x)</p> <p>1/+</p>	<p>N</p>  <p>Dowel Ø6,0 x 30mm (56x)</p> <p>2/+</p>
<p>O</p>  <p>Strap 200mm (2x)</p>	<p>P</p>  <p>Hanging Rail Support (2x)</p>	<p>Q</p>  <p>Metalic Hook (2x)</p>	<p>R</p>  <p>Metalic Bracket (2x)</p>
<p>S</p>  <p>Plastic Foot (6x)</p> <p>1/+</p>	<p>T</p>  <p>Nail 10 x 10 (40x)</p> <p>5/+</p>	<p>U</p>  <p>Hole Plugs (30x)</p> <p>2/+</p>	<p>V</p>  <p>Washer (4x)</p> <p>1/+</p>
<p>W</p>  <p>Hanging Rail (1x)</p>	<p>X</p>  <p>Plastic Corner Bracket (16x)</p> <p>2/+</p>	<p>Y</p>  <p>Flat Head Screw 3,5 x 16mm (16x)</p> <p>2/+</p>	

TIPS FOR FITTINGS CAM-LOCKS

WHEN FITTING CAM NUT. ENSURE STARTING POSITION IS CORRECT BEFORE YOU INSERT CONNECTING CAM BOLT TURN CLOCKWISE UNTIL SECURE



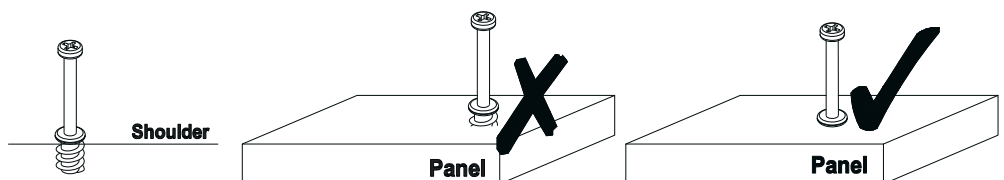
CORRECT **WRONG**



Cam bolt head needs to be in centre

CAMBOLT

Tighten until shoulder in flush with panel. Do not overtighten or undertighten (see example beside)




STEP 1

PARTS REQUIRED

3 - LEFT SIDE PANEL (RED) x1

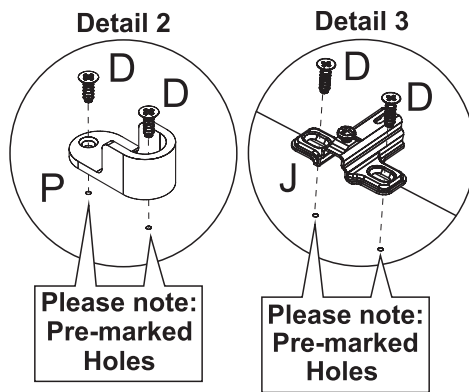
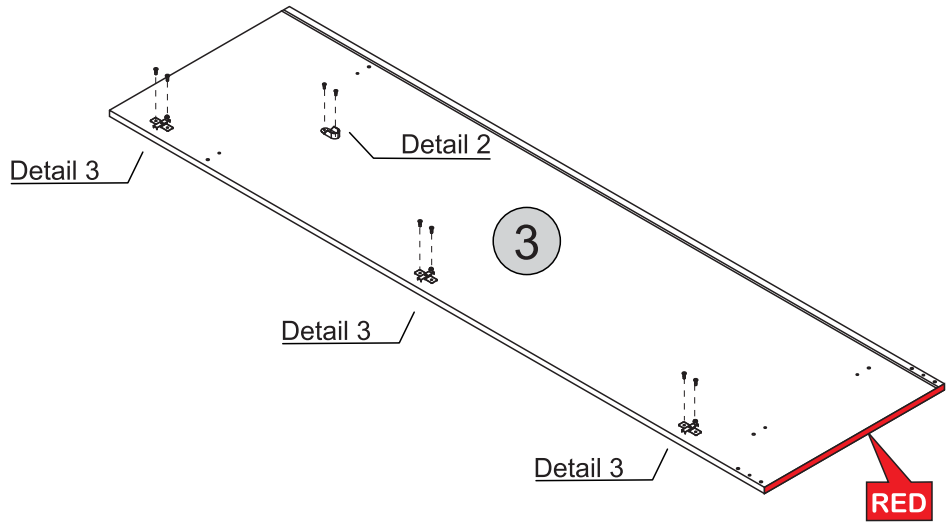
HARDWARE REQUIRED

D  08
Ø4,0 x 14mm

J  03

P  01

TOOLS REQUIRED




STEP 2

PARTS REQUIRED

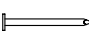
3 - LEFT SIDE PANEL (RED) x1

HARDWARE REQUIRED

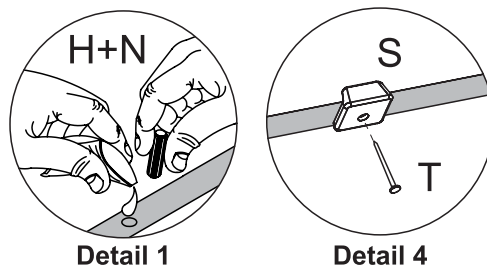
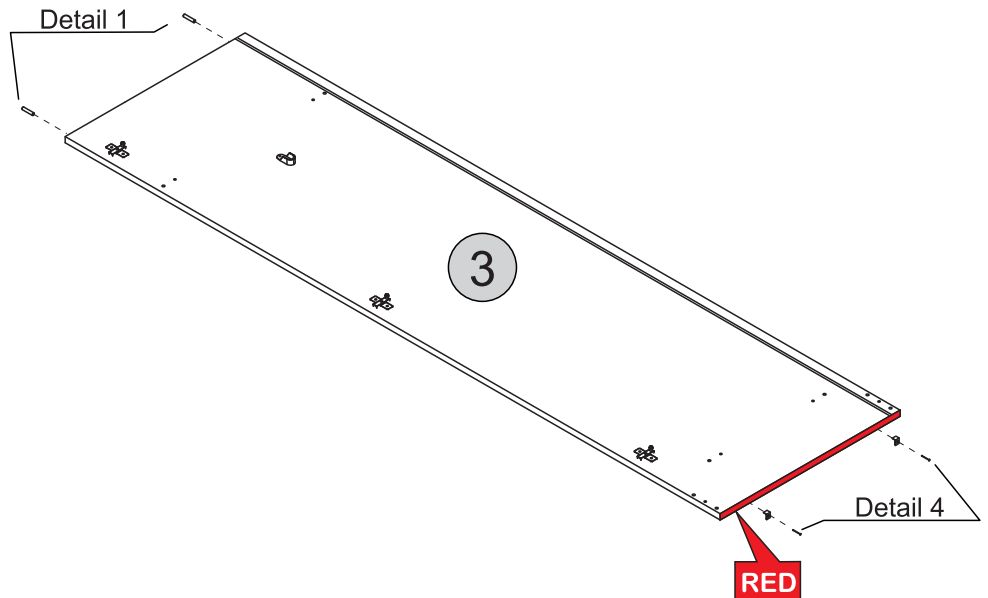
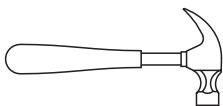
H  01
Glue

N  02
Ø6,0 x 30mm

S  02

T  02

TOOLS REQUIRED

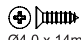


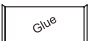
STEP 3

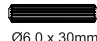
PARTS REQUIRED

6 - LEFT DIVISION PANEL (GREEN) x1

HARDWARE REQUIRED

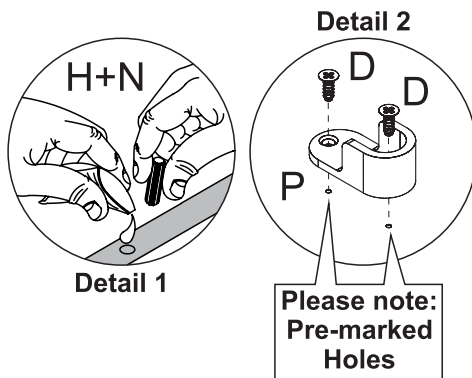
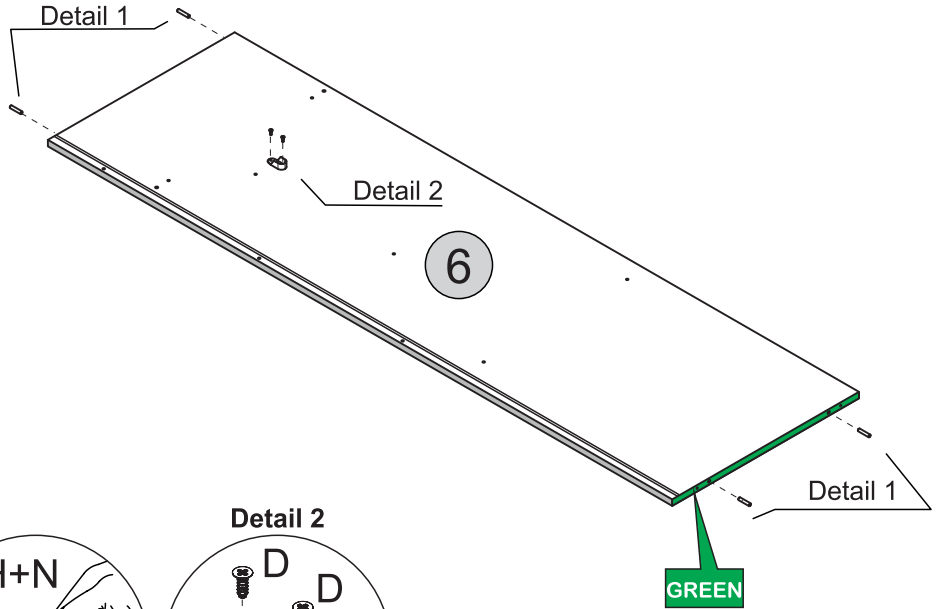
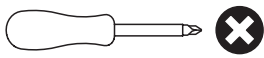
D  02
Ø4,0 x 14mm

H  01
Glue

N  04
Ø6,0 x 30mm

P  01

TOOLS REQUIRED




STEP 4

PARTS REQUIRED

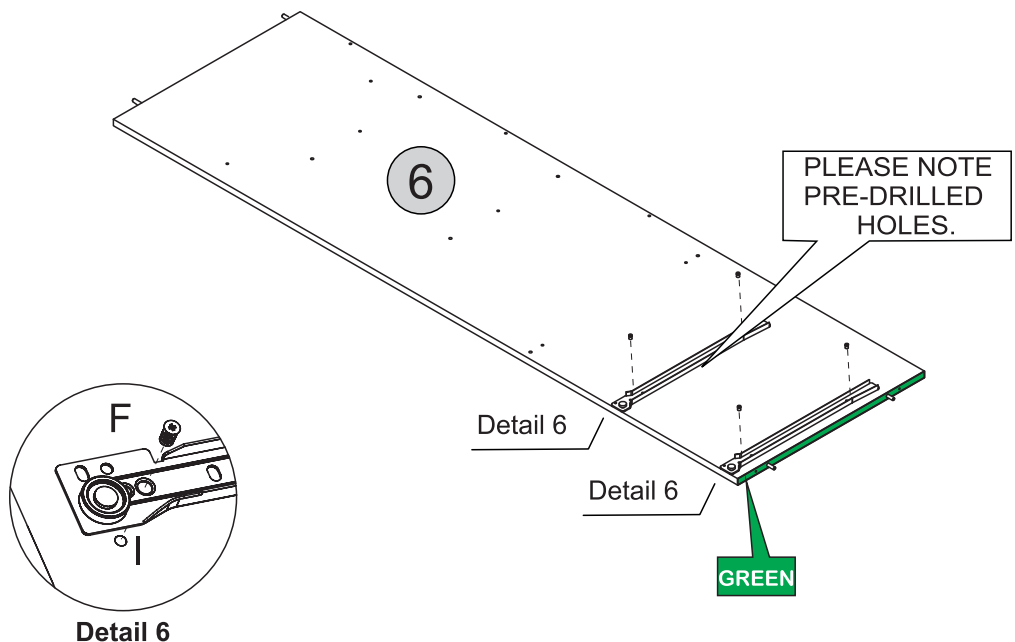
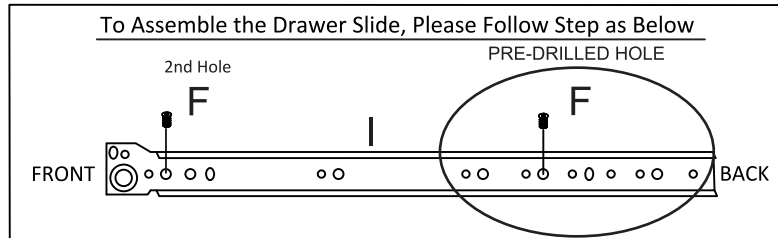
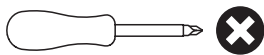
6 - LEFT DIVISION PANEL (GREEN) x1

HARDWARE REQUIRED

F  04
Ø6,0 x 8mm

I  02
Left

TOOLS REQUIRED



STEP 5


PARTS REQUIRED

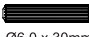
4 - RIGHT SIDE PANEL (BLUE) x1

HARDWARE REQUIRED

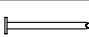
F  04
Ø6,0 x 8mm

H  01

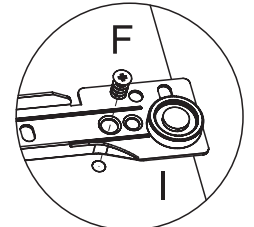
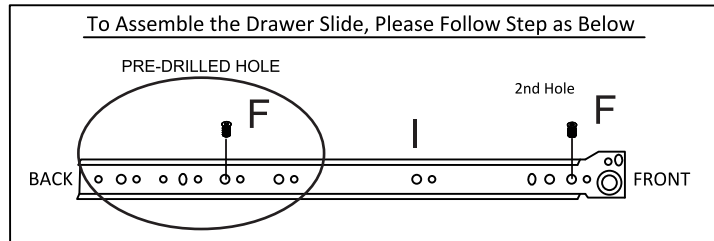
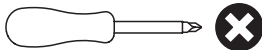
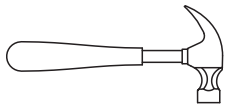
I  02

N  02
Ø6,0 x 30mm

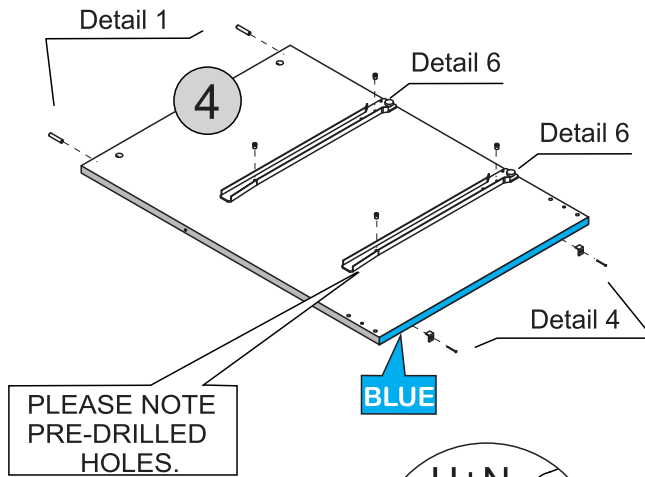
S  02

T  02

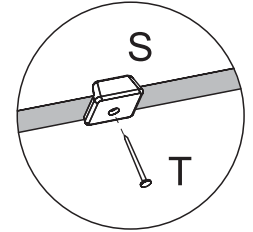
TOOLS REQUIRED



Detail 6



Detail 1



Detail 4

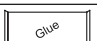
STEP 6

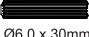
PARTS REQUIRED

5 - SMALL BASE PANEL (YELLOW) x1

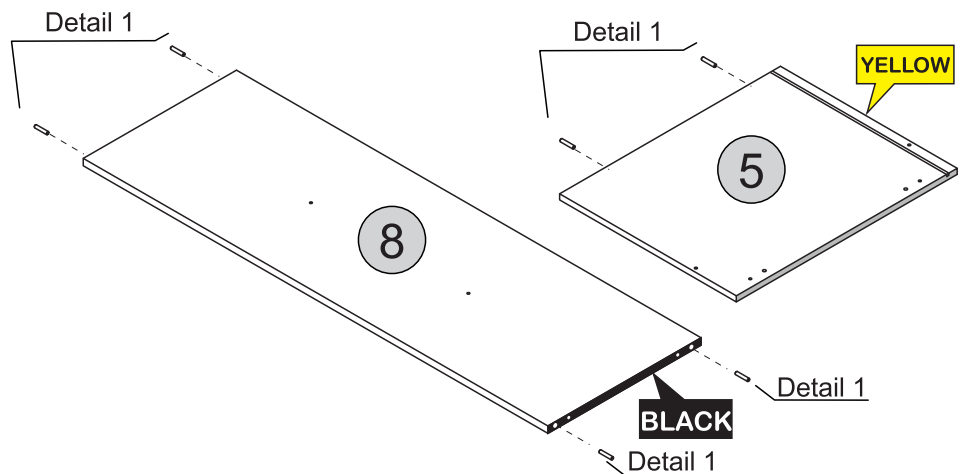
8 - DIVISION PANEL (BLACK) x1

HARDWARE REQUIRED

H  01

N  06
Ø6,0 x 30mm

TOOLS REQUIRED



Detail 1

STEP 7

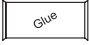
PARTS REQUIRED

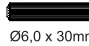
1 - FRONT BASEBOARD (BLUE) x1

2 - BACK BASEBOARD (RED) x1


9 - SHELF (BLACK) x1

HARDWARE REQUIRED

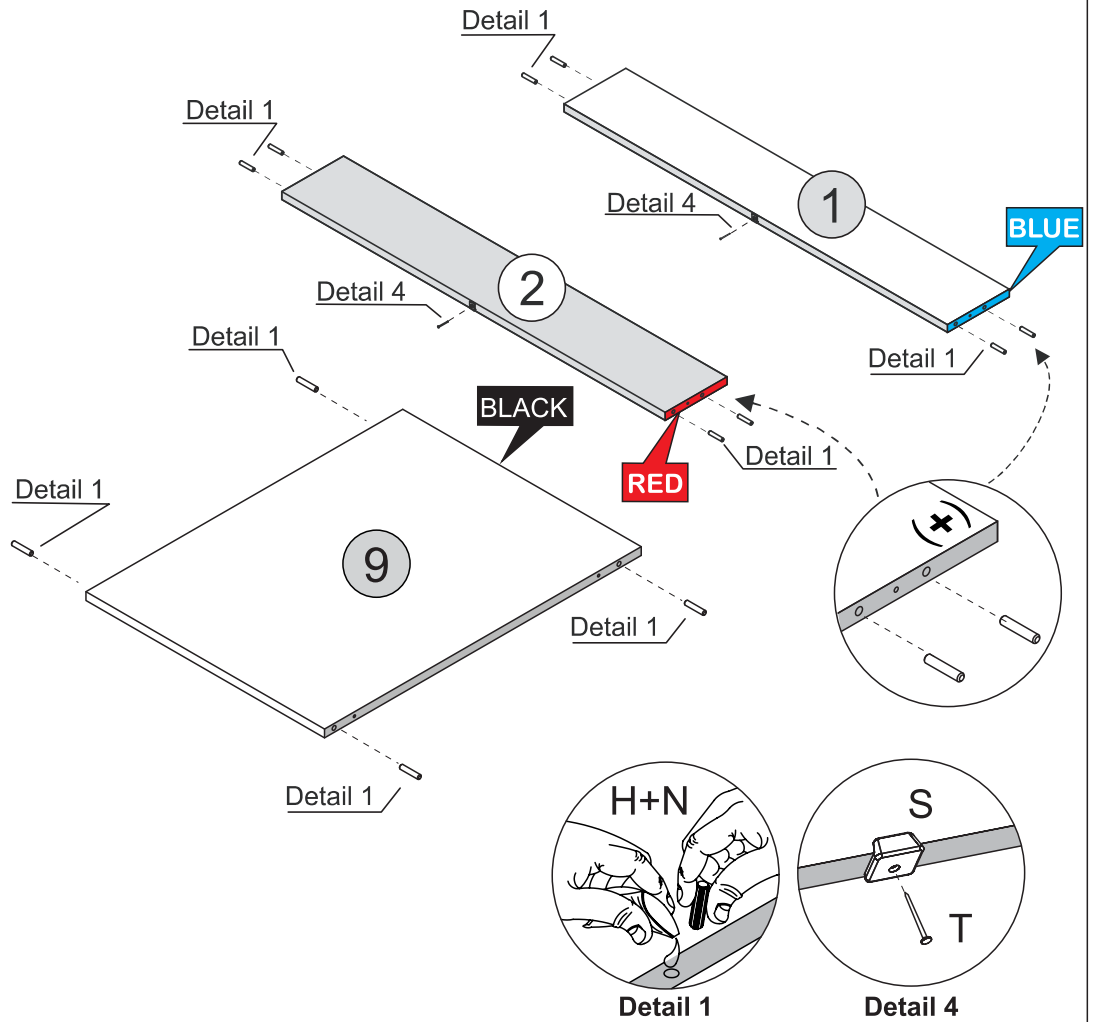
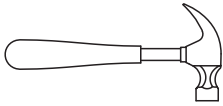
H  01

N  Ø6,0 x 30mm 12

S  02

T  02

TOOLS REQUIRED



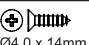
STEP 8

PARTS REQUIRED

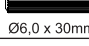
10 - EXTERNAL SHELF (RED) x2

11 - BACK PANEL (BLUE) x1

HARDWARE REQUIRED

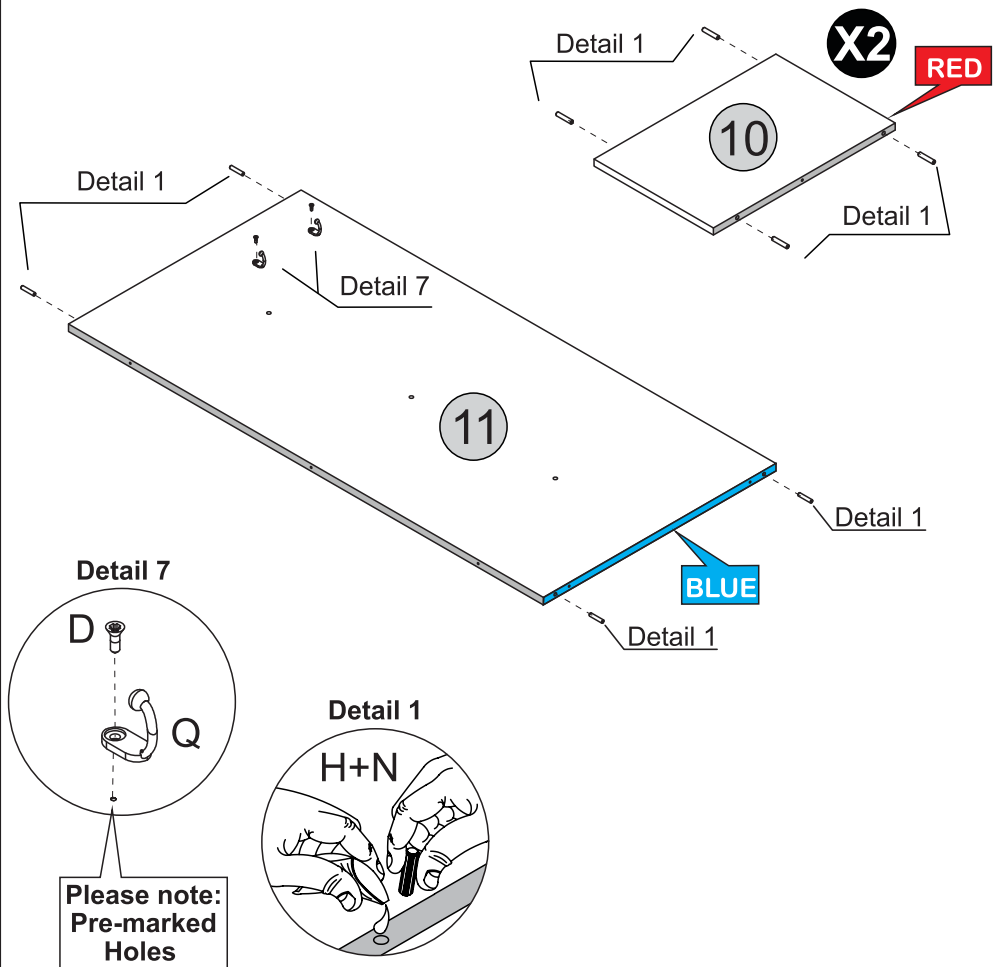
D  Ø4,0 x 14mm 02

H  01

N  Ø6,0 x 30mm 12

Q  02

TOOLS REQUIRED



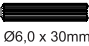
STEP 9


PARTS REQUIRED

7 - DRAWER TOP PANEL (BLUE)x1

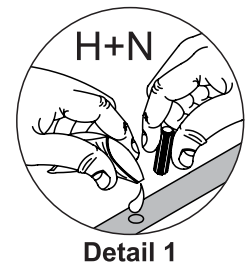
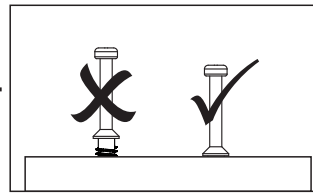
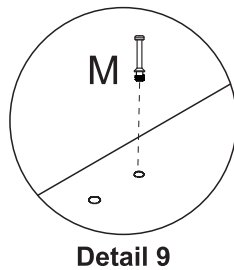
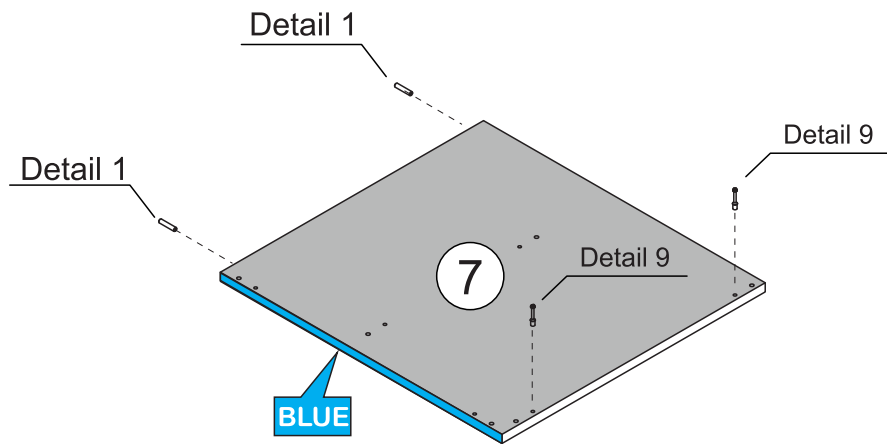
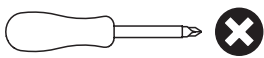
HARDWARE REQUIRED

H  01

N  Ø6,0 x 30mm 02

M  02

TOOLS REQUIRED



STEP 10

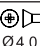
PARTS REQUIRED


5 - SMALL BASE PANEL (YELLOW)x1

6 - LEFT DIVISION PANEL (GREEN)x1

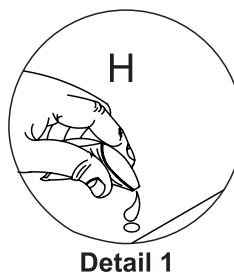
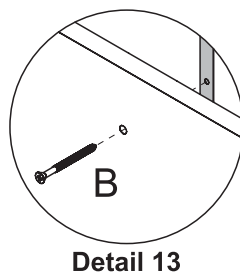
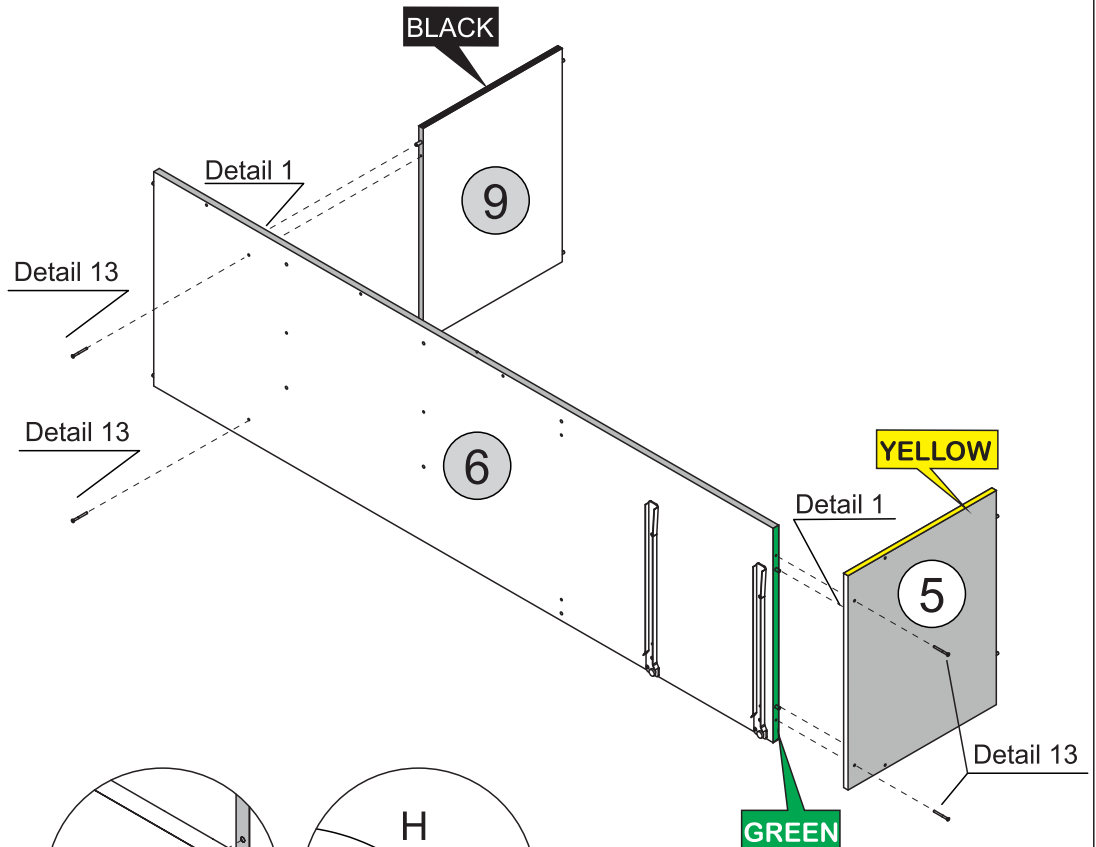
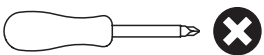
9 - SHELF (BLACK) x1

HARDWARE REQUIRED

B  Ø4,0 x 45mm 04

H  01

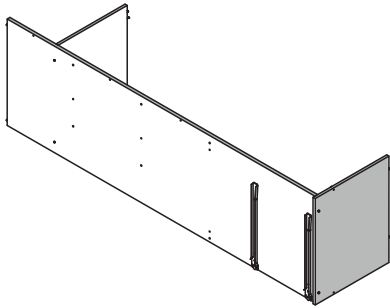
TOOLS REQUIRED




STEP 11

PARTS REQUIRED

3 - LEFT SIDE PANEL (RED)x1

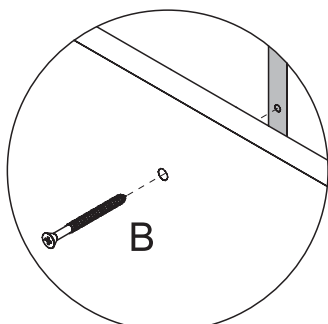
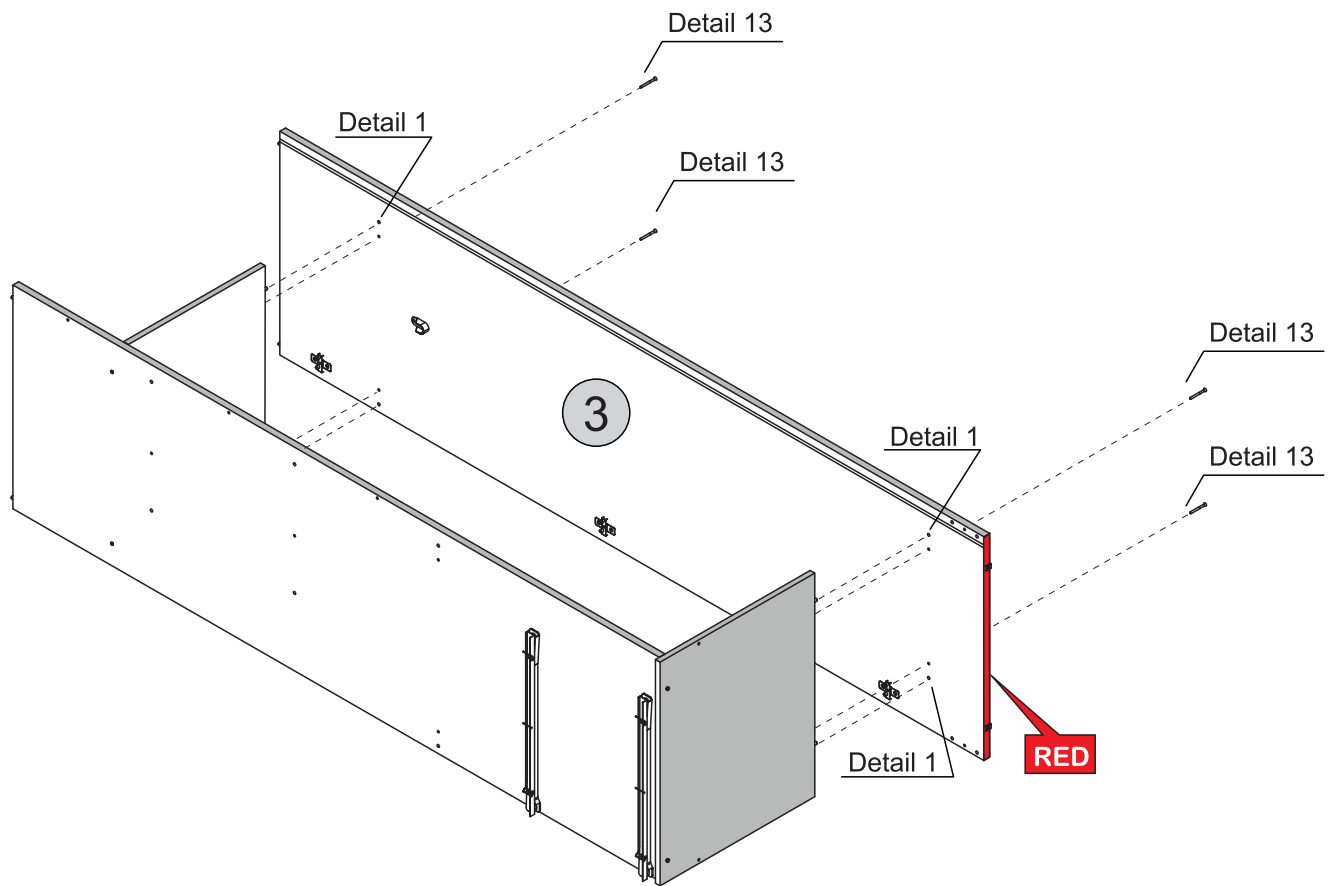
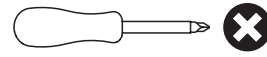


HARDWARE REQUIRED

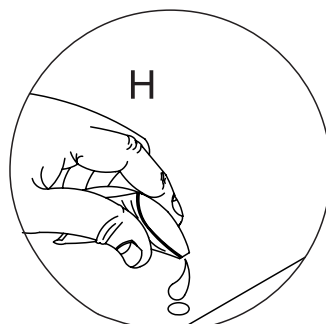
B  04
Ø4,0 x 45mm

H  01

TOOLS REQUIRED



Detail 13

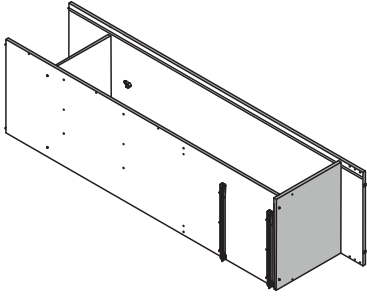


Detail 1


STEP 12

PARTS REQUIRED

7 - DRAWER TOP PANEL (BLUE) x1

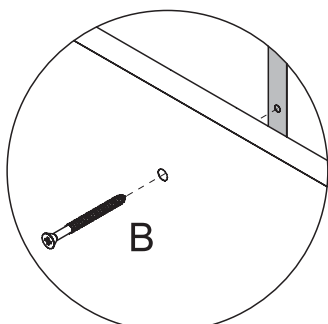
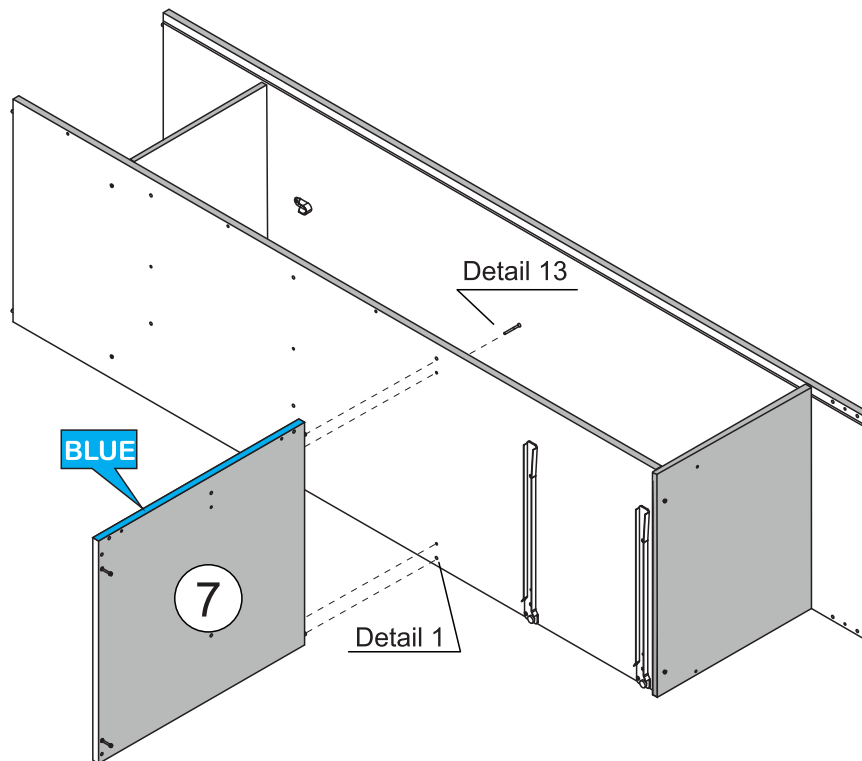
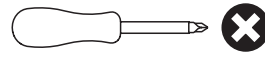


HARDWARE REQUIRED

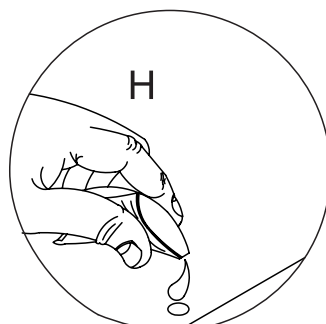
B  02
Ø4,0 x 45mm

H  01

TOOLS REQUIRED



Detail 13

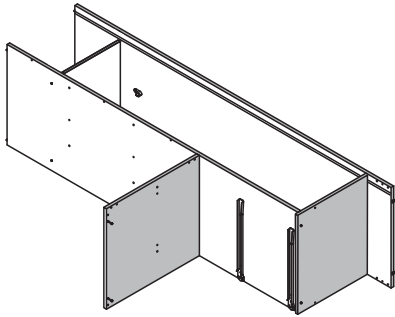


Detail 1

STEP 13

PARTS REQUIRED

4 - RIGHT SIDE PANEL (BLUE) x1

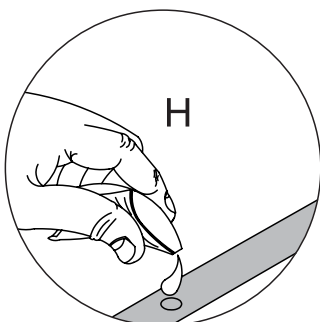
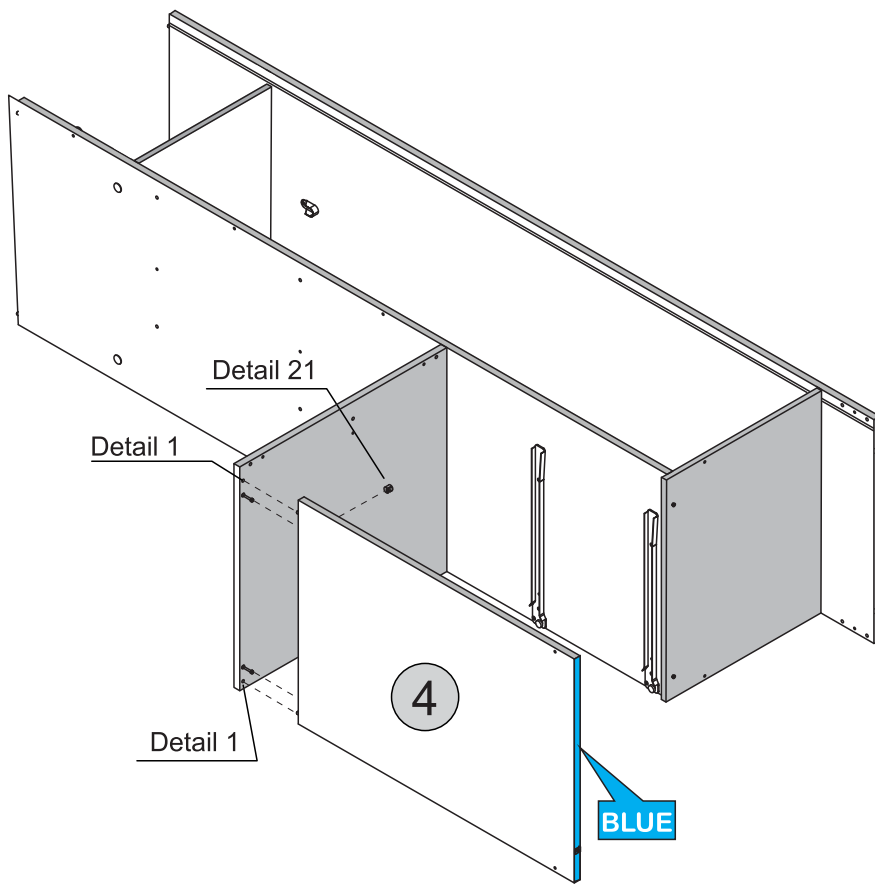
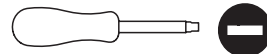


HARDWARE REQUIRED

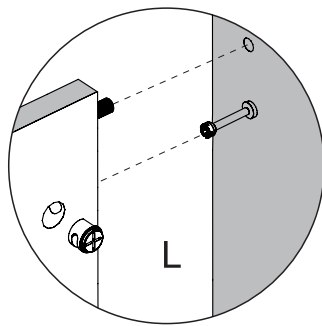
H  01

L  02

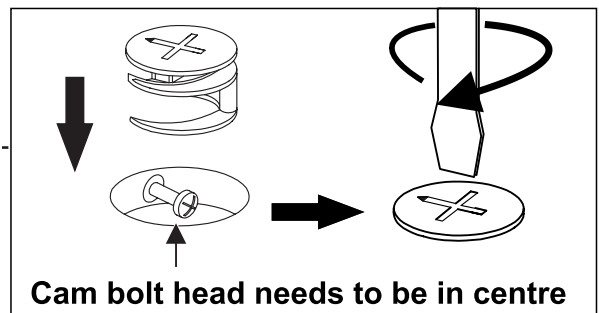
TOOLS REQUIRED



Detail 1



Detail 21



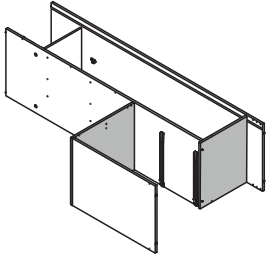
Cam bolt head needs to be in centre

STEP 14

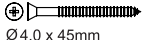
PARTS REQUIRED

1 - FRONT BASEBOARD (BLUE) x1

2 - BACK BASEBOARD (RED) x1

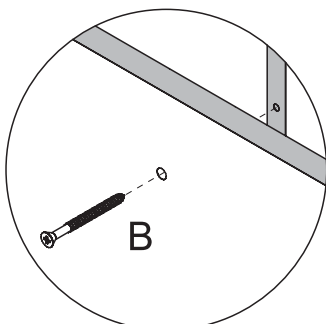
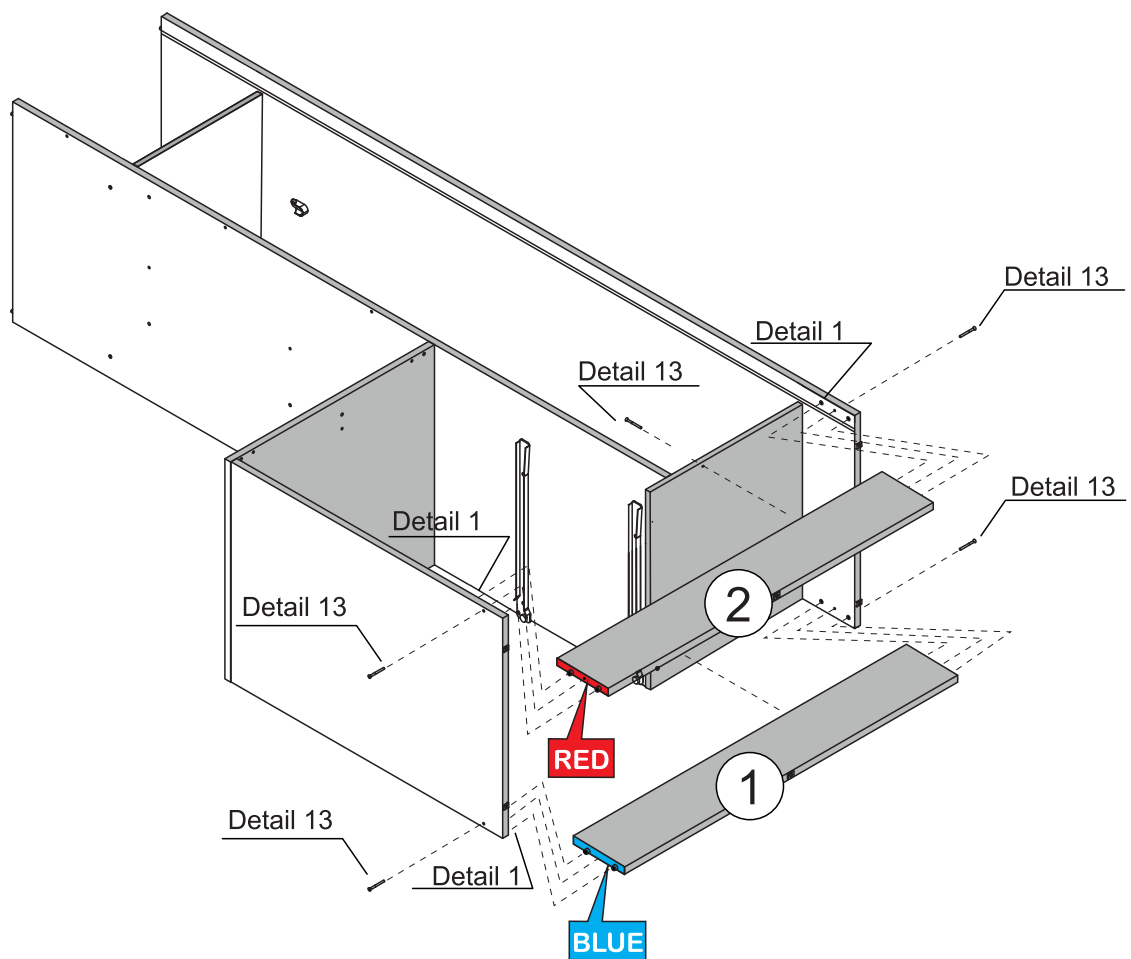
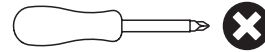


HARDWARE REQUIRED

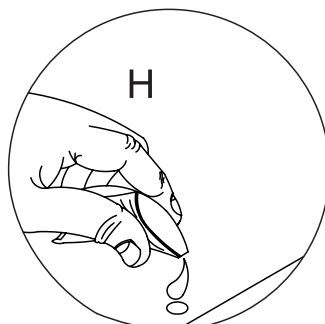
B  06
Ø4,0 x 45mm

H  01

TOOLS REQUIRED



Detail 13

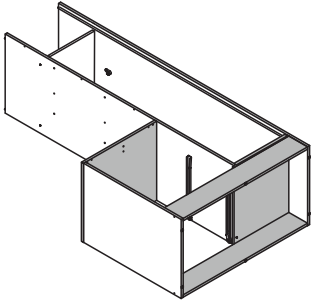


Detail 1

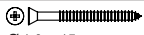
STEP 15

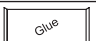
PARTS REQUIRED

10 - EXTERNAL SHELF (RED) x2

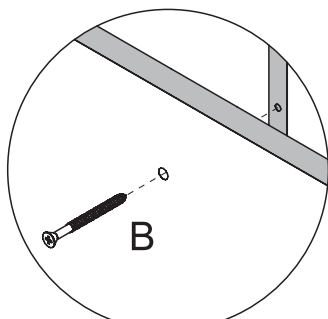
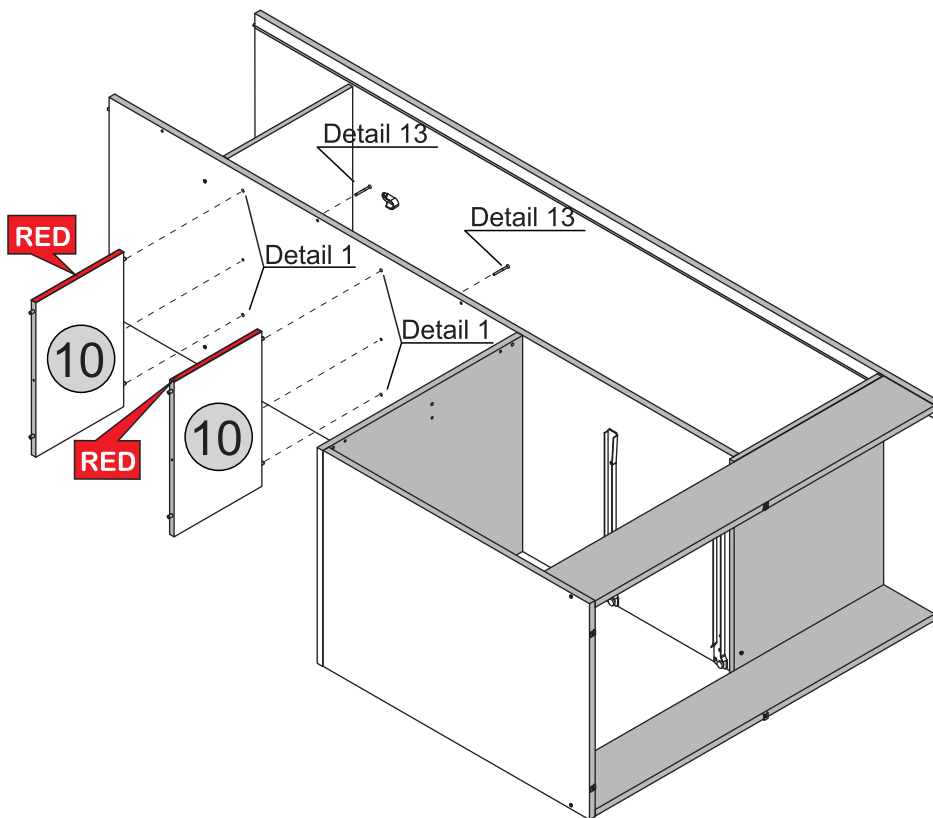
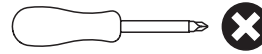


HARDWARE REQUIRED

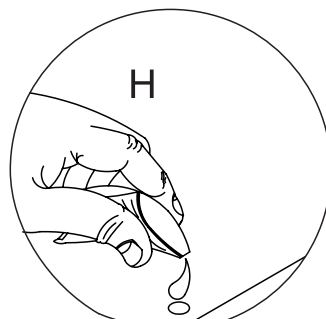
B  02
Ø4,0 x 45mm

H  01
Glue

TOOLS REQUIRED



Detail 13

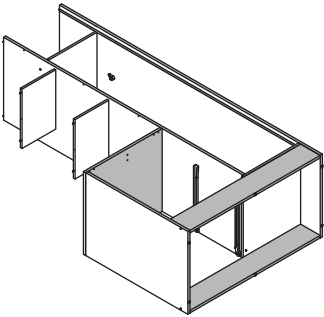


Detail 1

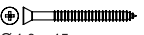
STEP 16

PARTS REQUIRED

8 - DIVISION PANEL (BLACK) x1

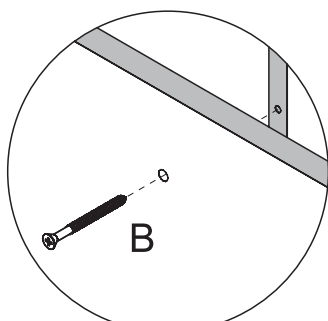
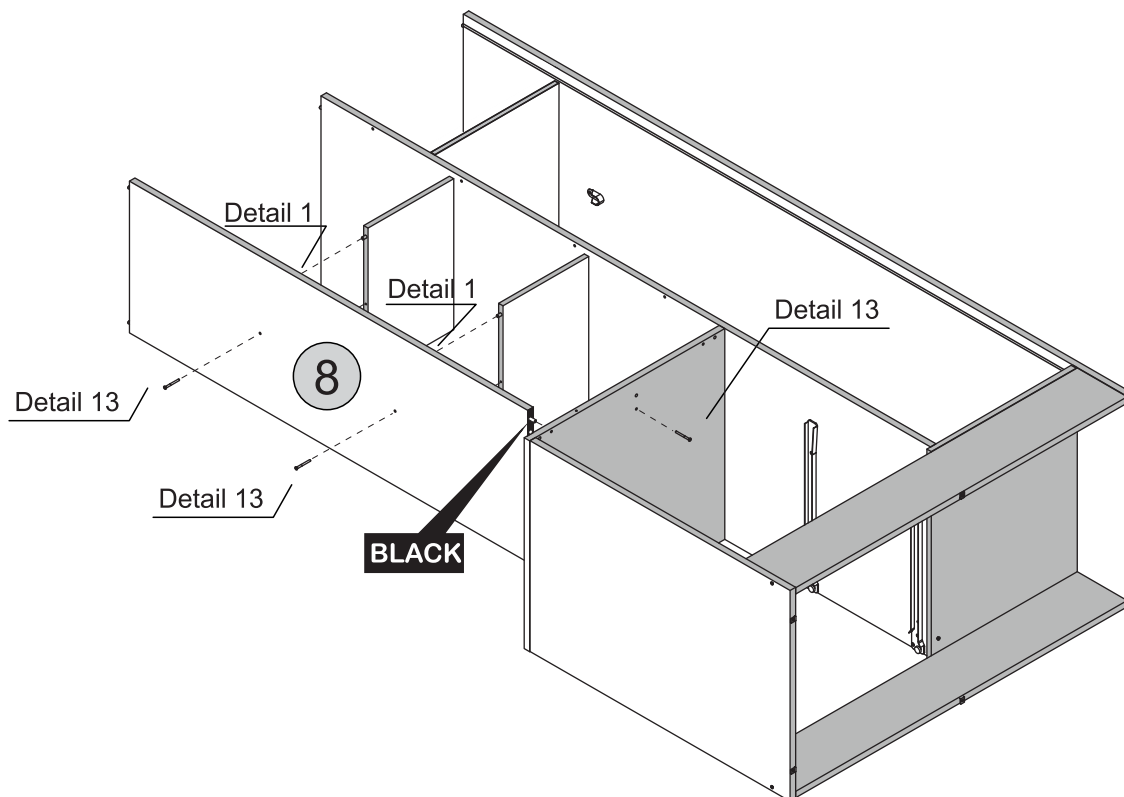
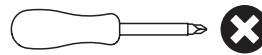


HARDWARE REQUIRED

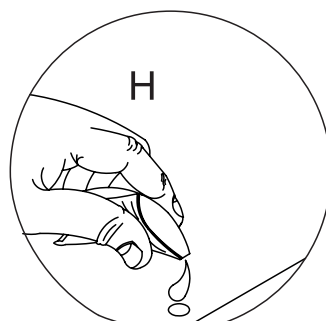
B  04
Ø4,0 x 45mm

H  01

TOOLS REQUIRED



Detail 13



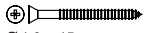
Detail 1

STEP 17

PARTS REQUIRED

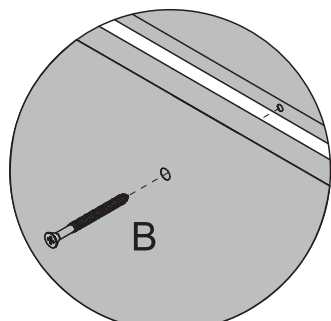
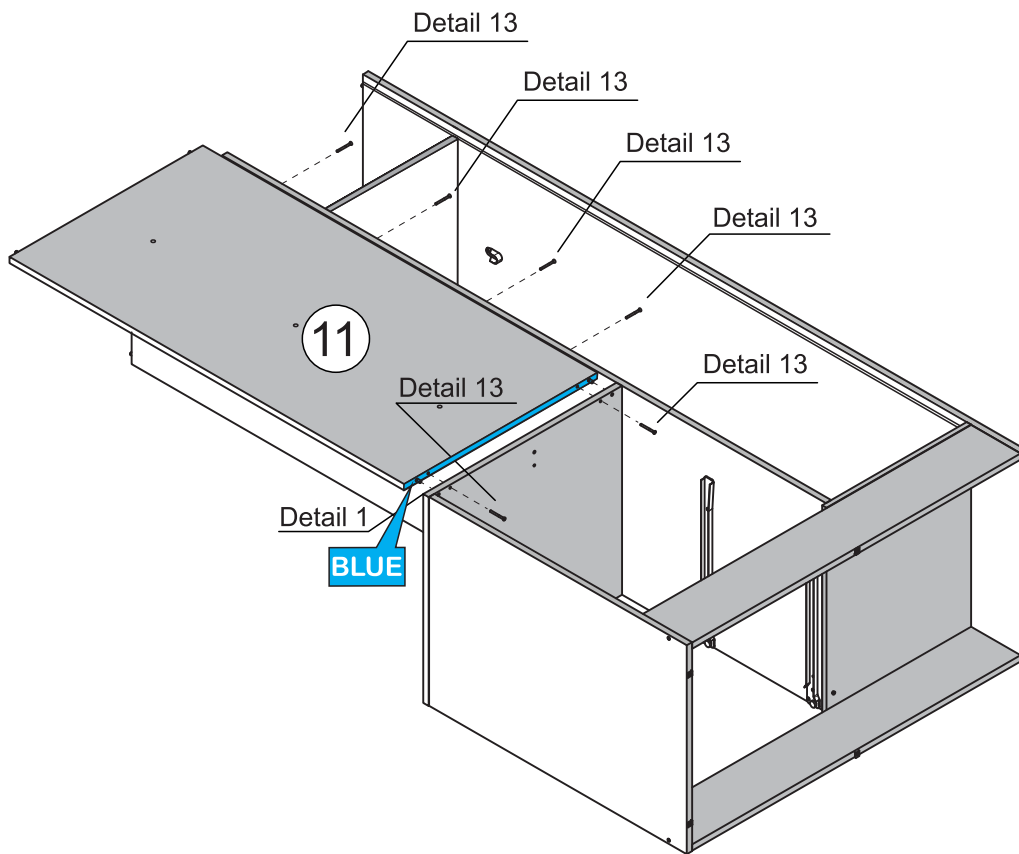
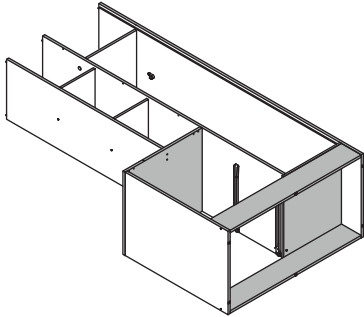
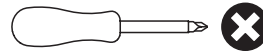
11 - BACK PANEL (BLUE) x1

HARDWARE REQUIRED

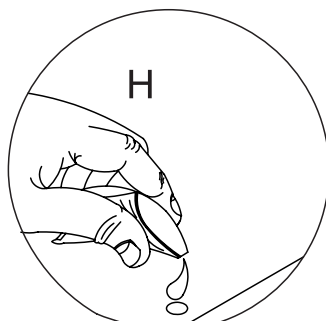
B  06
Ø4,0 x 45mm

H  01

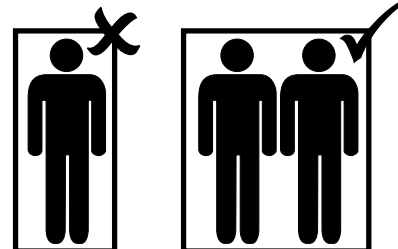
TOOLS REQUIRED



Detail 13



Detail 1



*You should assemble this step with two people

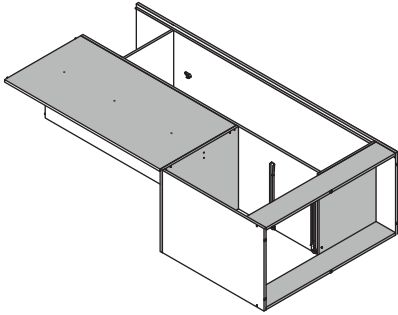
STEP 18

PARTS REQUIRED

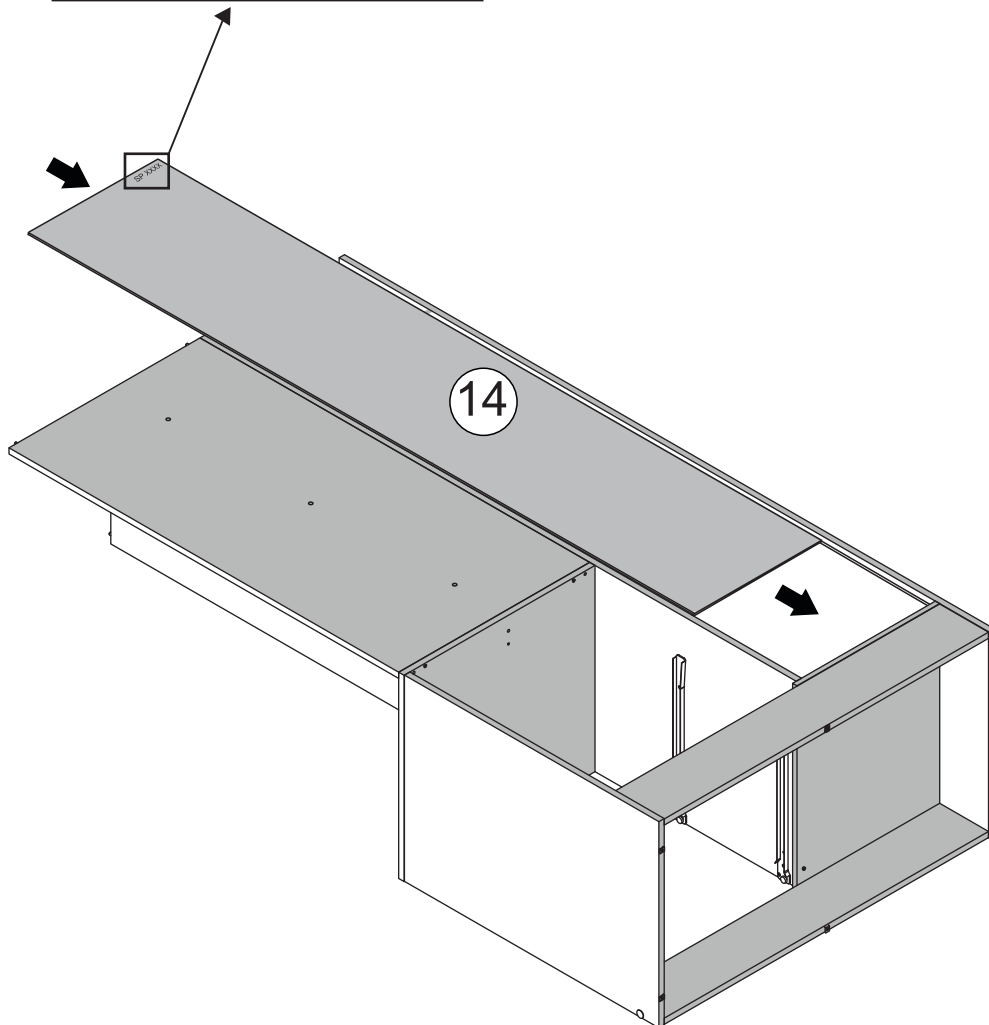
HARDWARE REQUIRED

TOOLS REQUIRED

14 - LARGE BACK PANEL x1



* For your future reference Order Number should be here.

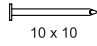


STEP 19

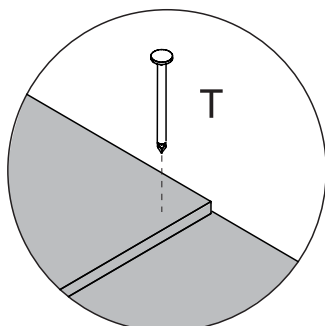
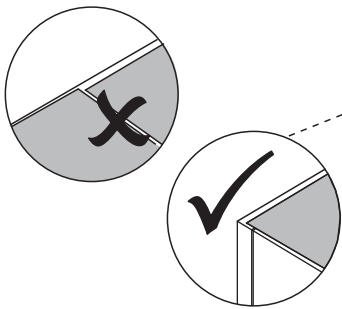
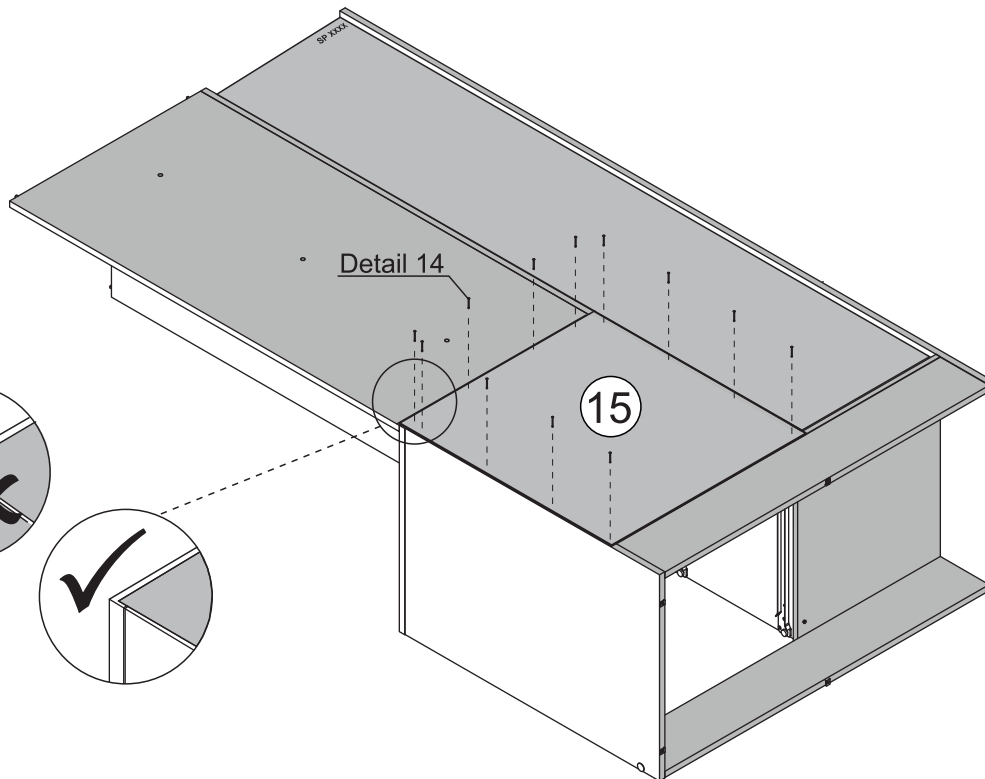
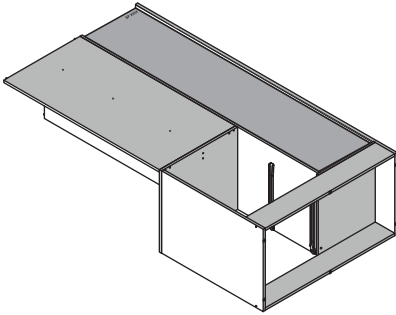
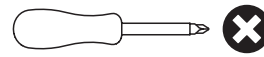
PARTS REQUIRED

15 - SMALL BACK PANEL x1

HARDWARE REQUIRED

T  12

TOOLS REQUIRED




Detail 14

STEP 20

PARTS REQUIRED

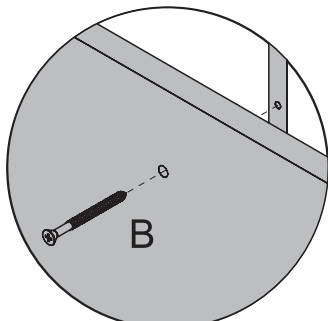
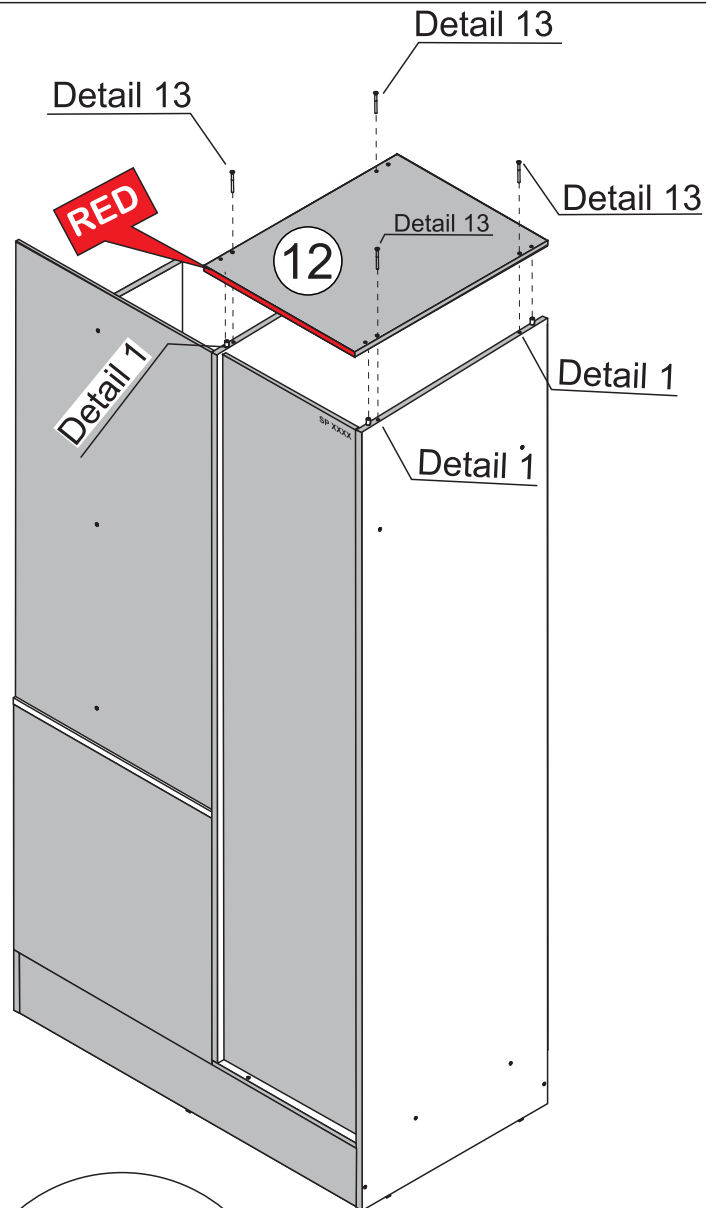
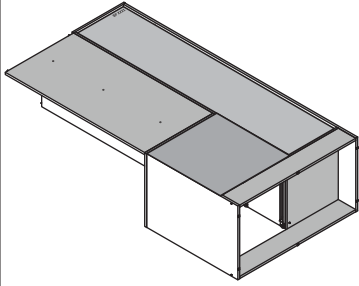
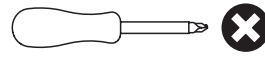
12 - TOP PANEL (RED) x1

HARDWARE REQUIRED

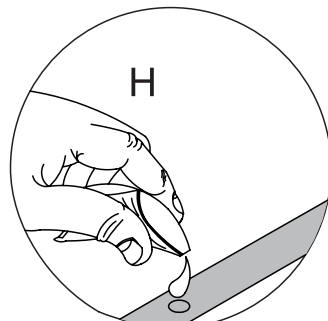
B  04
Ø4,0 x 45mm

H  01

TOOLS REQUIRED



Detail 13

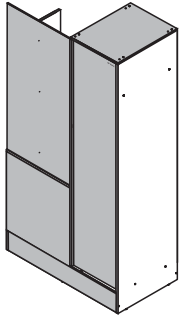


Detail 1


STEP 21

PARTS REQUIRED

13 - LARGE TOP PANEL (GREEN) x1

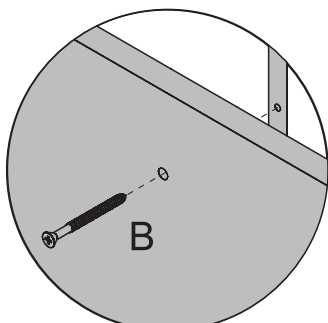
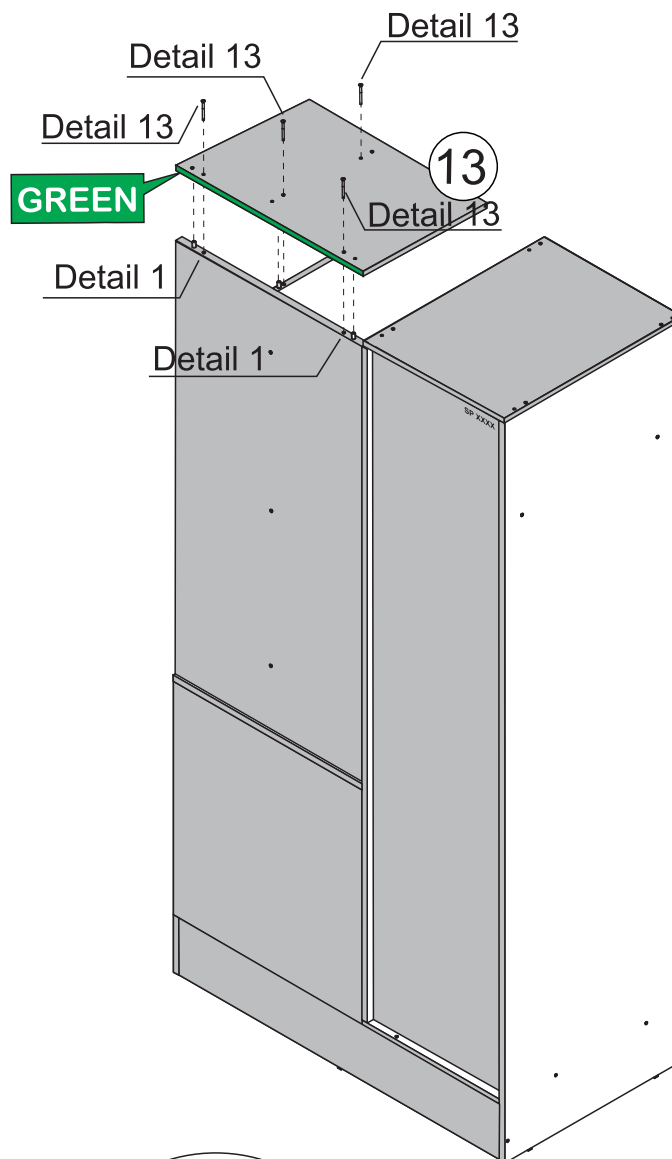
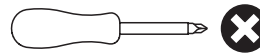


HARDWARE REQUIRED

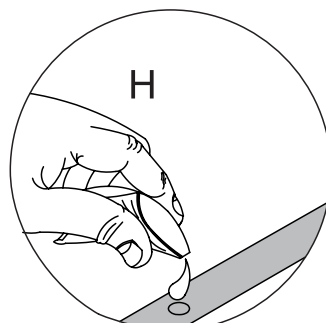
B  04
Ø4,0 x 45mm

H  01

TOOLS REQUIRED



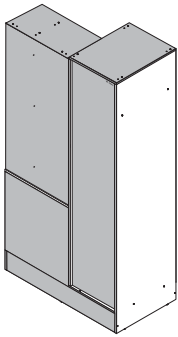
Detail 13



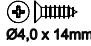


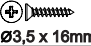
Detail 1

STEP 22

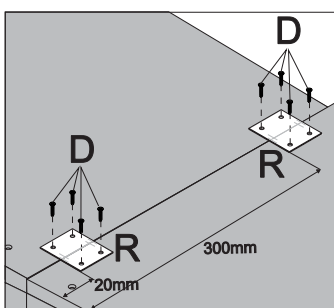
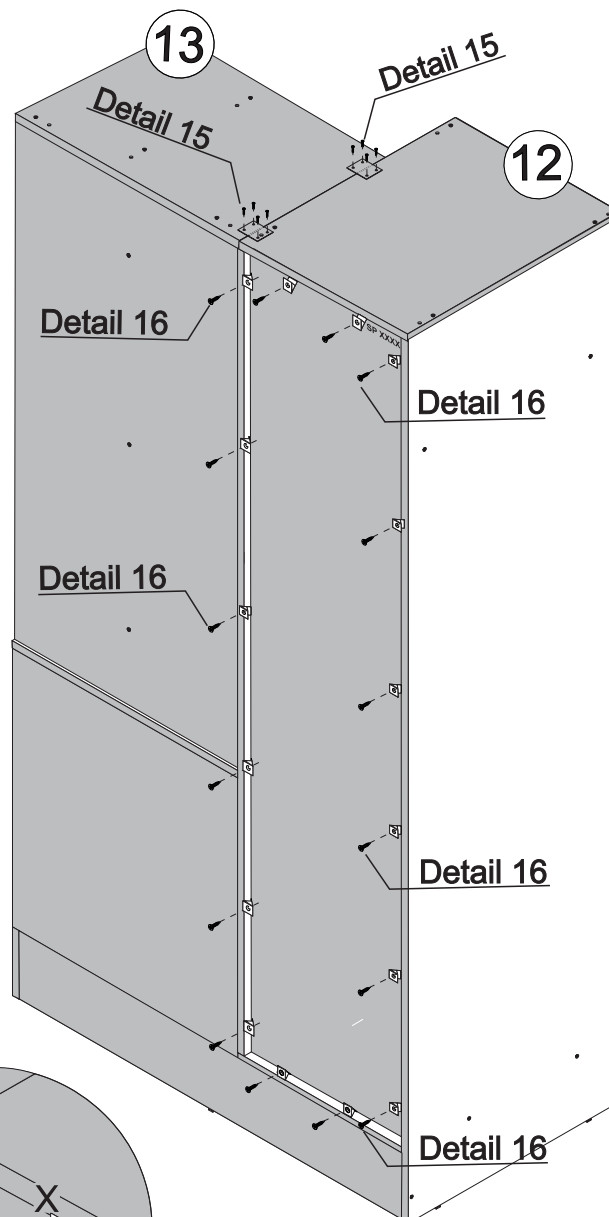
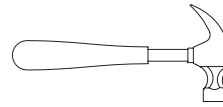
PARTS REQUIRED



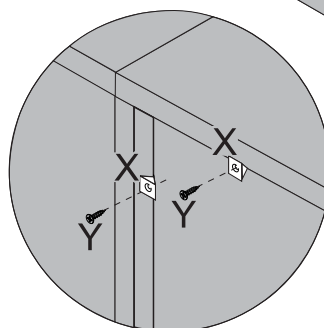
HARDWARE REQUIRED

D	 $\varnothing 4,0 \times 14\text{mm}$	08
R		02
X		16
Y	 $\varnothing 3,5 \times 16\text{mm}$	16

TOOLS REQUIRED



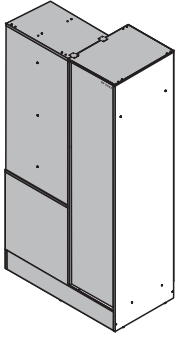
Detail 15





Detail 16

STEP 23

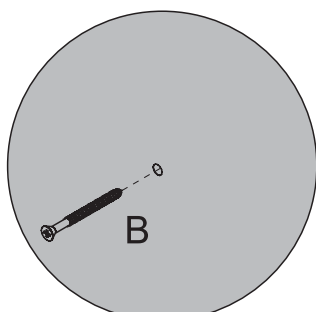
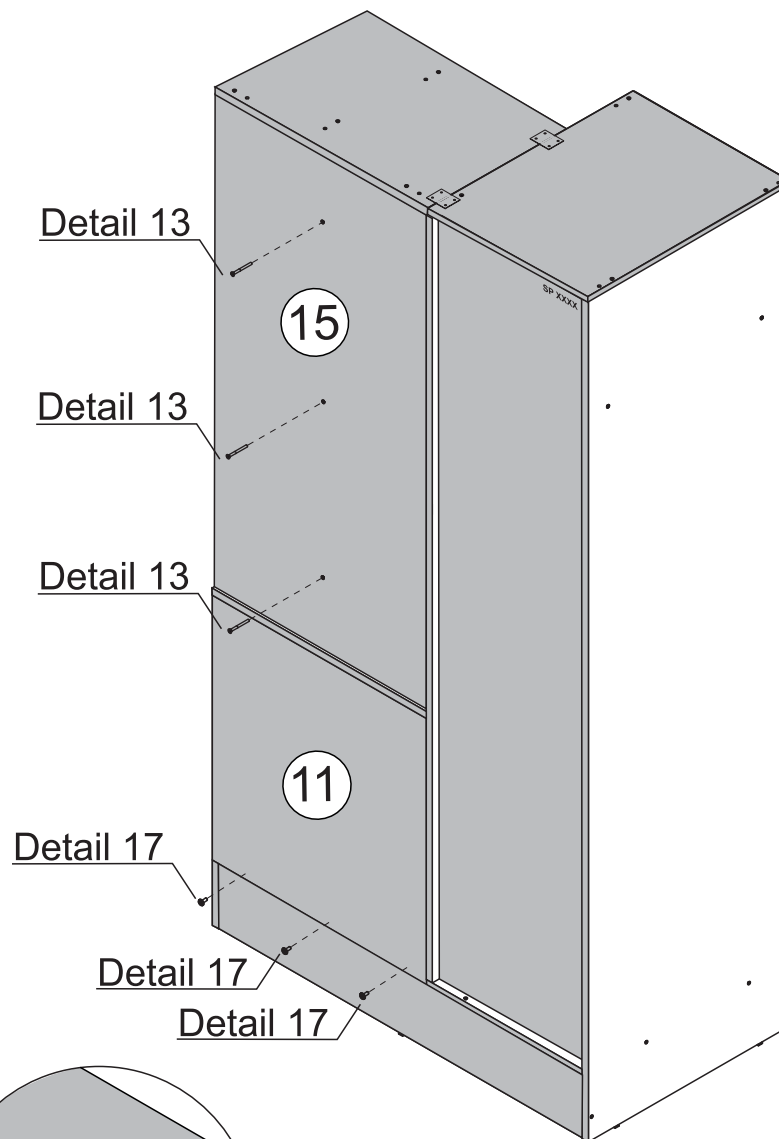
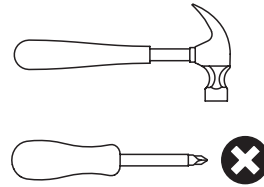
PARTS REQUIRED



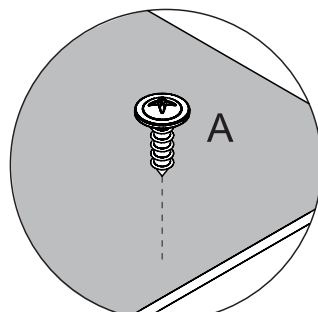
HARDWARE REQUIRED

A		03
B		03

TOOLS REQUIRED



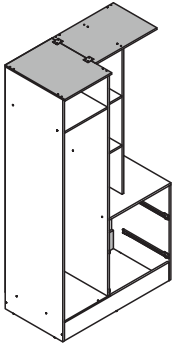
Detail 13



Detail 17

STEP 24

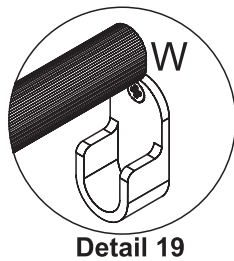
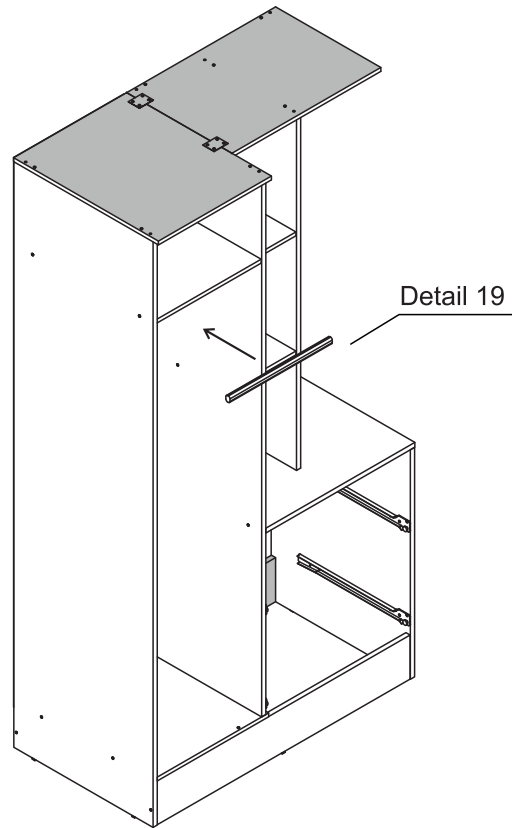
PARTS REQUIRED



HARDWARE REQUIRED



TOOLS REQUIRED



STEP 25

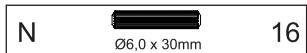
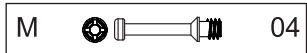
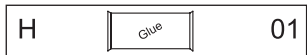
PARTS REQUIRED

17 - DRAWER FRONT	x2
-------------------	----

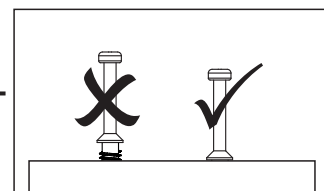
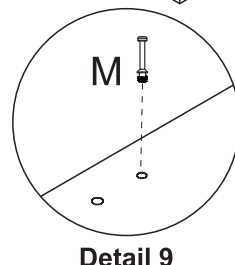
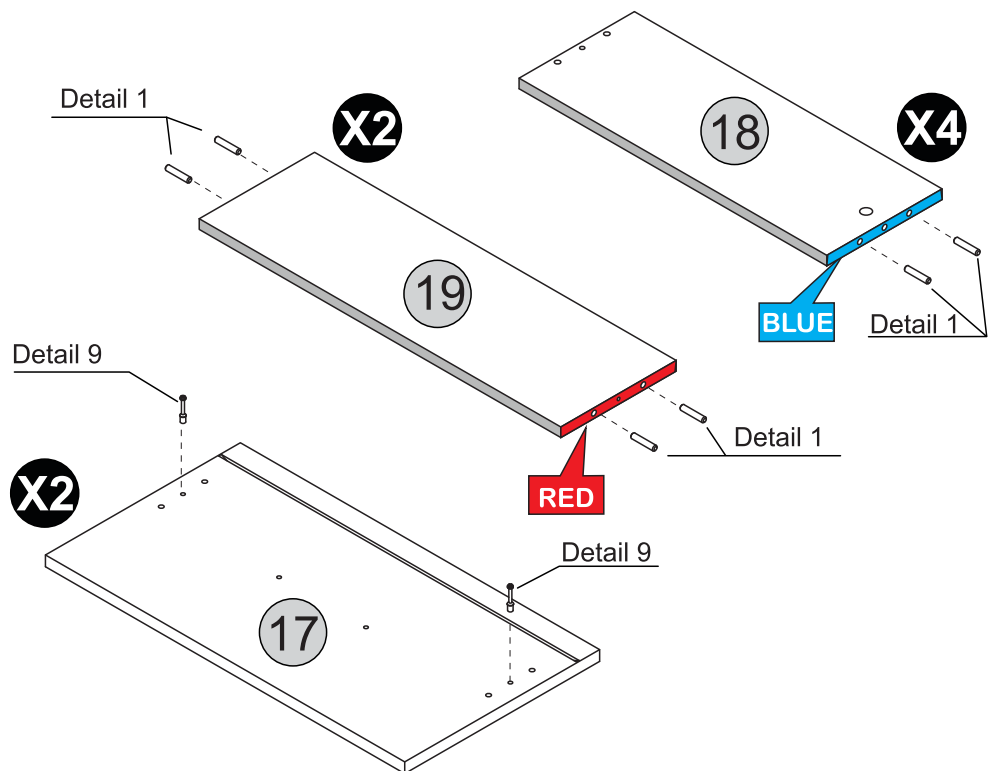
18 - DRAWER SIDE (BLUE)	x4
-------------------------	----

19 - DRAWER BACK PANEL (RED)	x2
------------------------------	----

HARDWARE REQUIRED



TOOLS REQUIRED



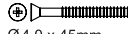
STEP 26

PARTS REQUIRED

18 - DRAWER SIDE (BLUE) x4

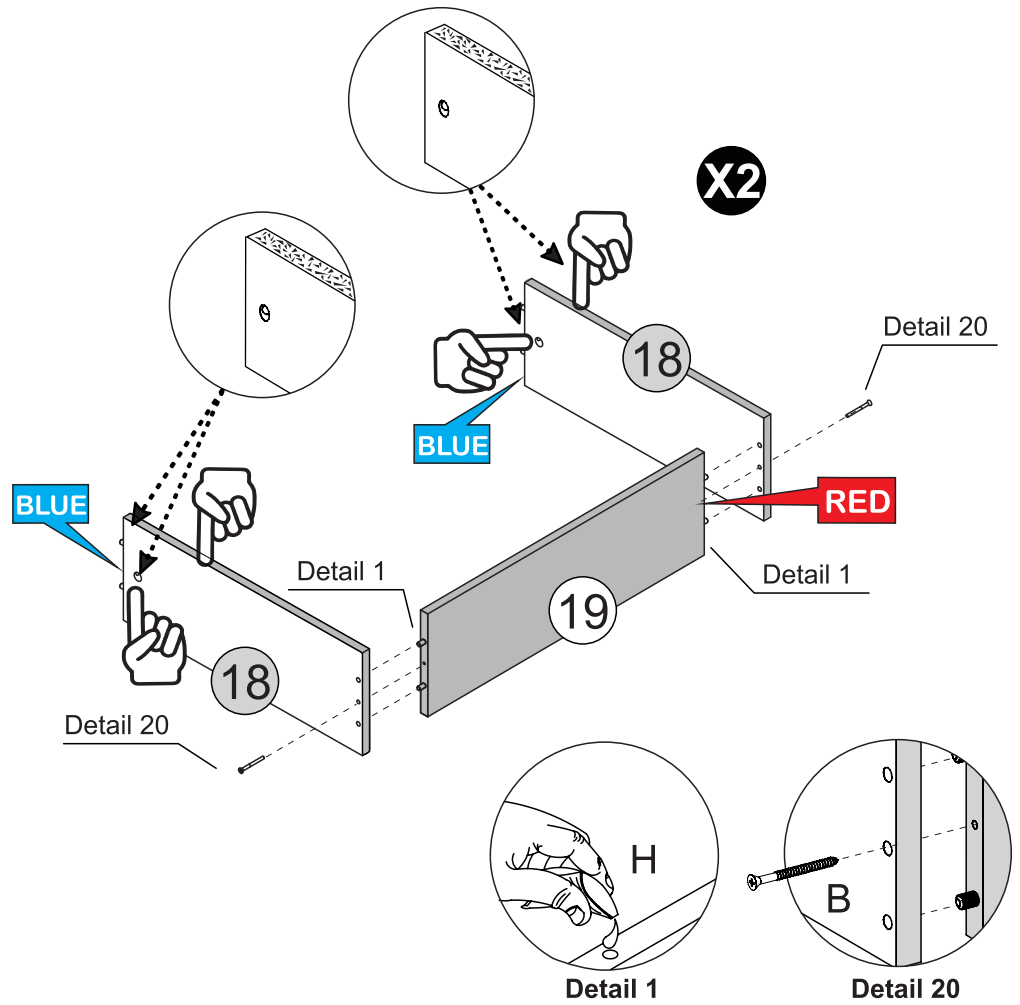
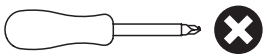
19 - DRAWER BACK PANEL (RED)x2

HARDWARE REQUIRED

B  04
Ø4,0 x 45mm

H  01

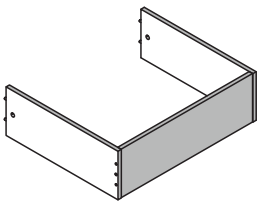
TOOLS REQUIRED




STEP 27

PARTS REQUIRED

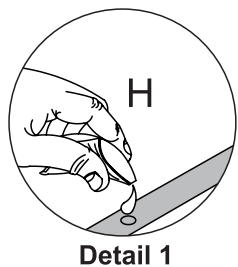
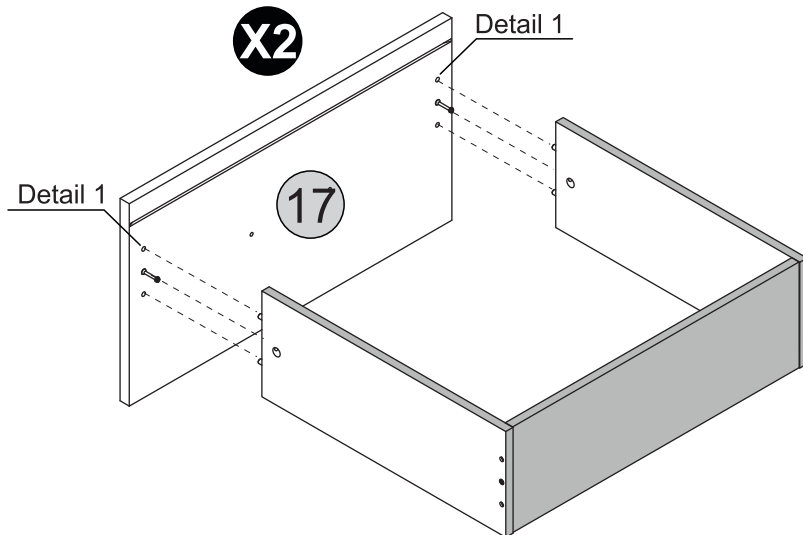
17 - DRAWER FRONT x2



HARDWARE REQUIRED

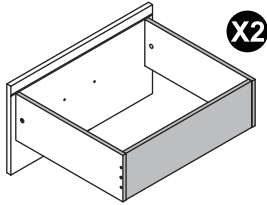
H  01

TOOLS REQUIRED



STEP 28

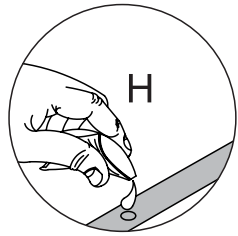
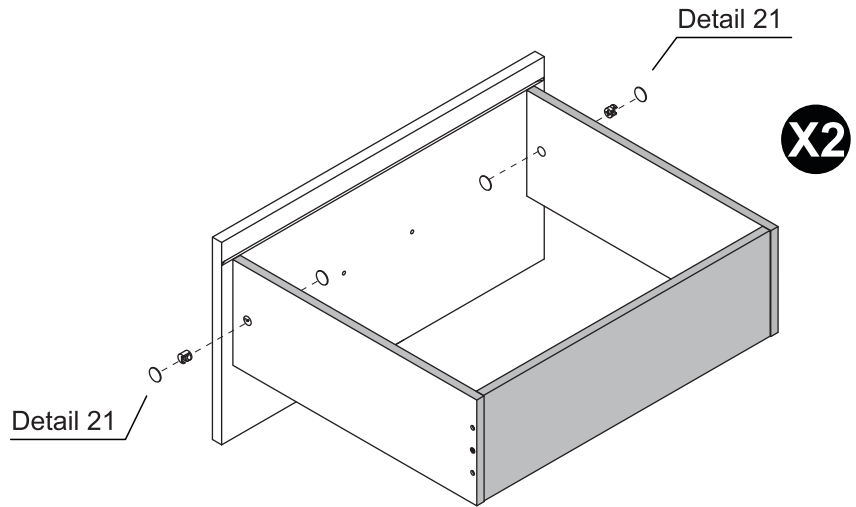
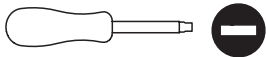
PARTS REQUIRED



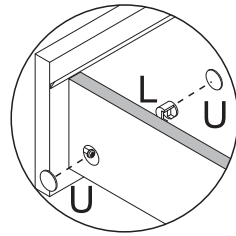
HARDWARE REQUIRED



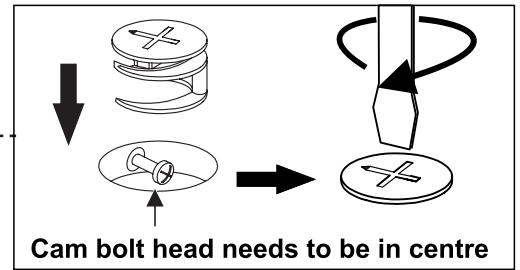
TOOLS REQUIRED



Detail 1



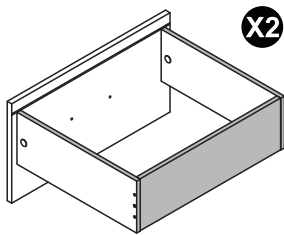
Detail 21



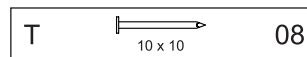
STEP 29

PARTS REQUIRED

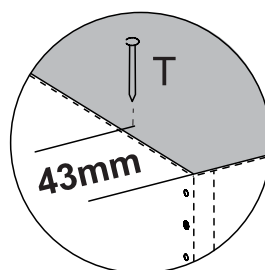
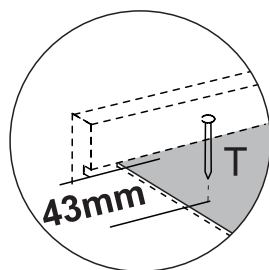
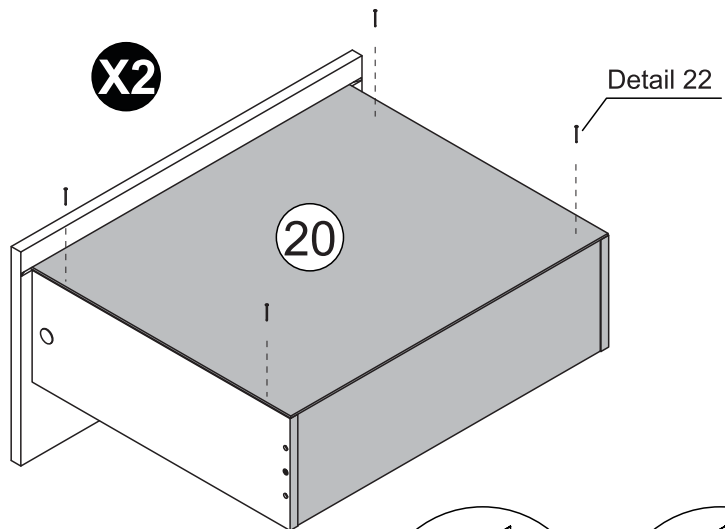
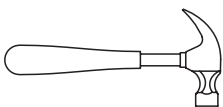
20 - DRAWER BOTTOM x2



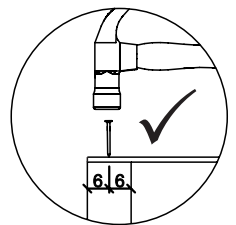
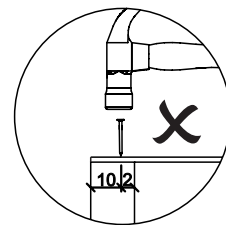
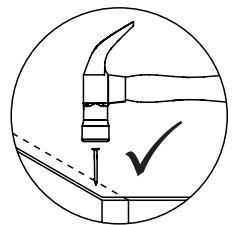
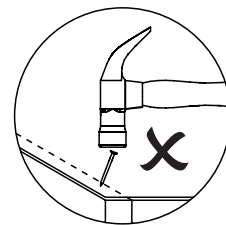
HARDWARE REQUIRED



TOOLS REQUIRED



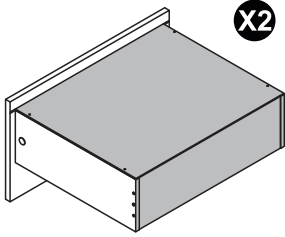
Detail 22



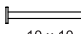
STEP 30

PARTS REQUIRED

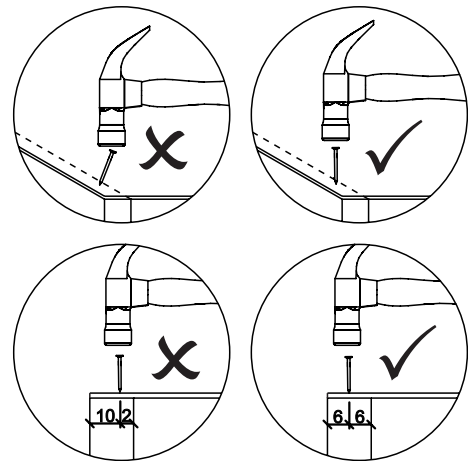
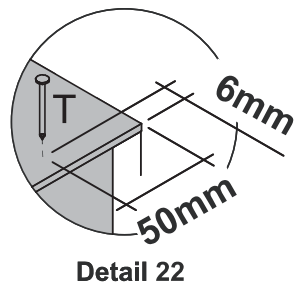
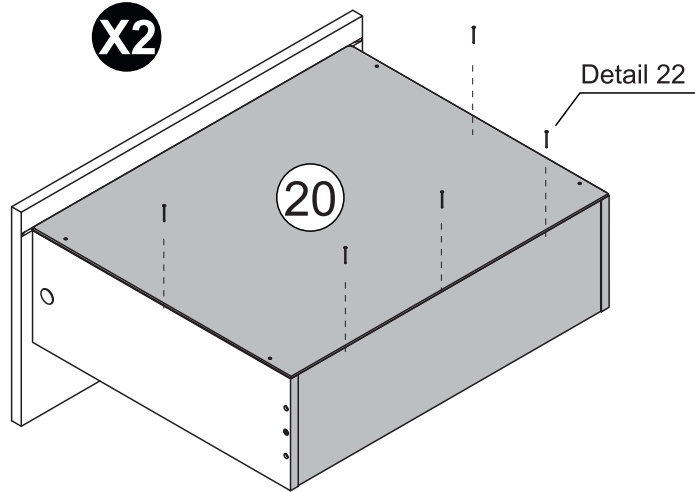
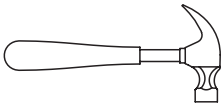
20 - DRAWER BOTTOM x2



HARDWARE REQUIRED

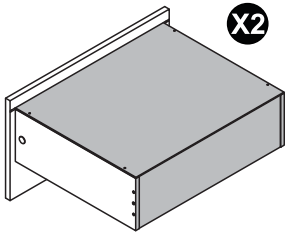
T  10 x 10 10

TOOLS REQUIRED




STEP 31


PARTS REQUIRED



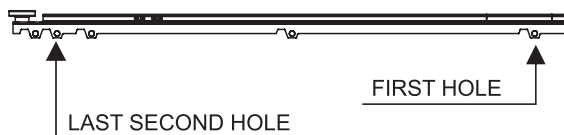
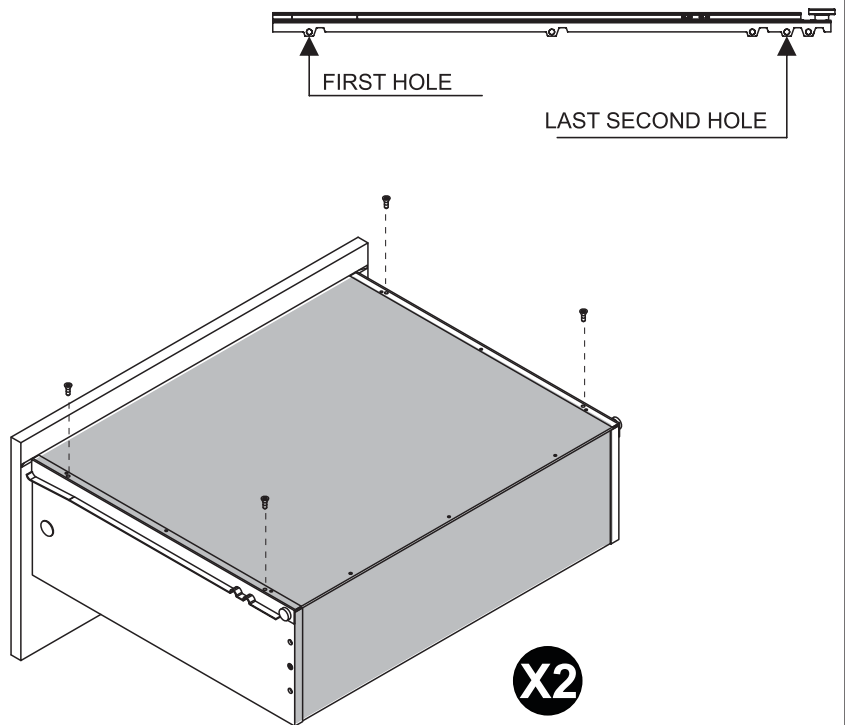
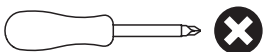
HARDWARE REQUIRED

D  08
Ø4,0 x 14mm

I  LEFT 02

I  RIGHT 02

TOOLS REQUIRED

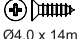


STEP 32

PARTS REQUIRED

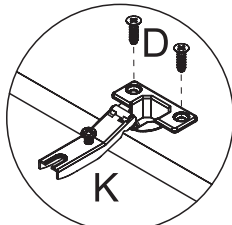
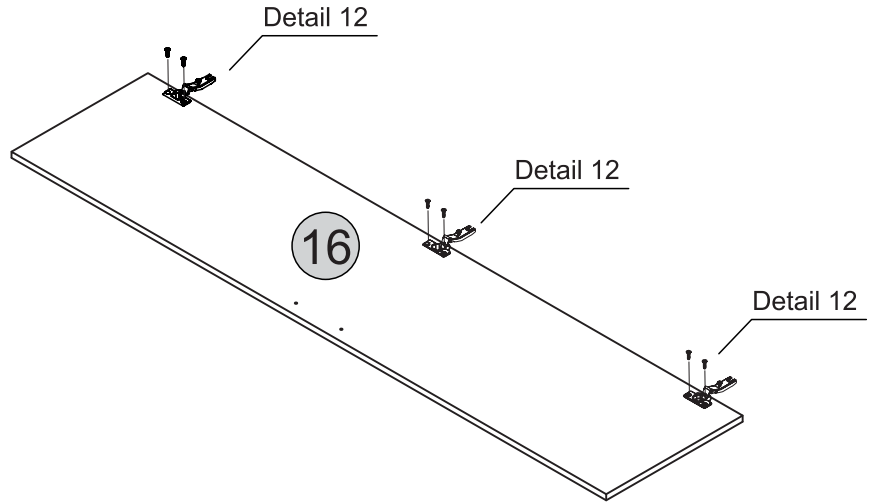
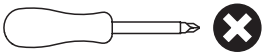
16 - DOOR x1

HARDWARE REQUIRED

D  06
Ø4,0 x 14mm

K  03

TOOLS REQUIRED

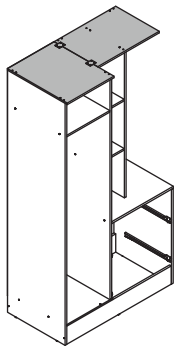


Detail 12

STEP 33

PARTS REQUIRED

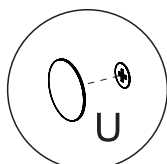
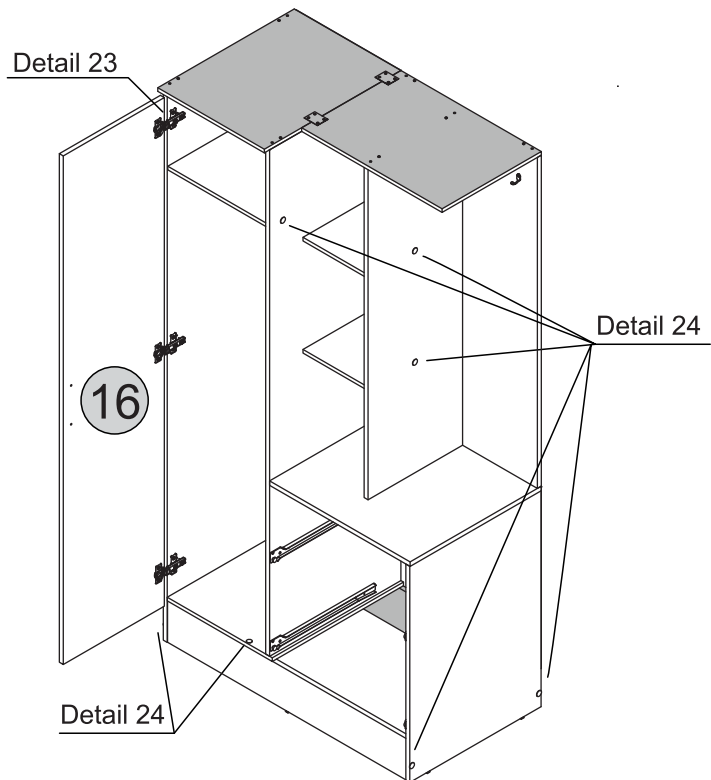
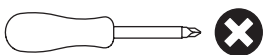
16 - DOOR x1



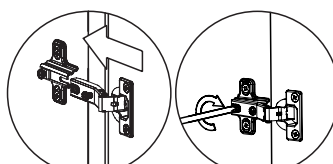
HARDWARE REQUIRED

U  22

TOOLS REQUIRED



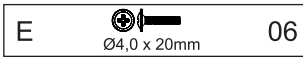
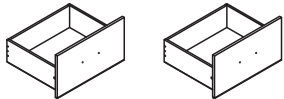
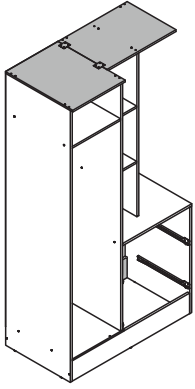
Detail 24



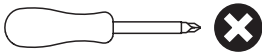
Detail 23

STEP 34

PARTS REQUIRED



TOOLS REQUIRED

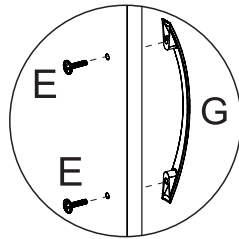
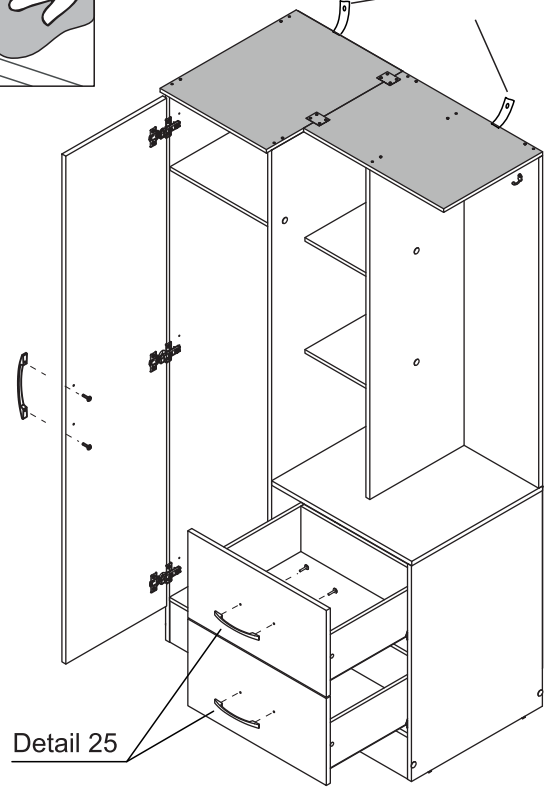


TIP
If desired, after assembly use an alcohol cleaner to erase the number printed on the parts.



See the last page

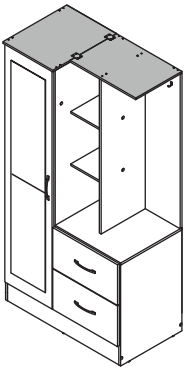
Detail 25



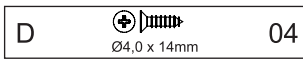
Detail 25

STEP 35

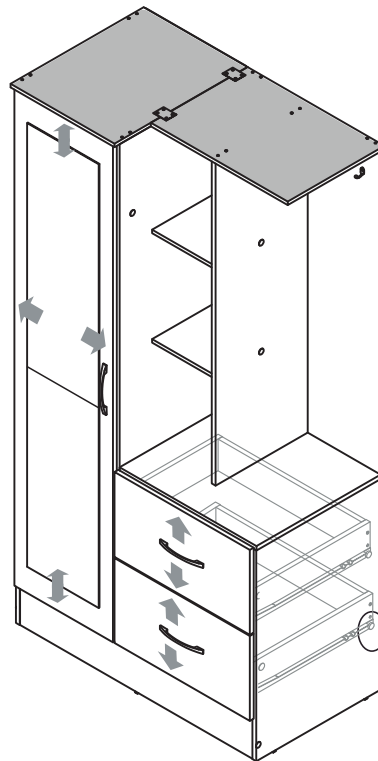
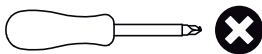
PARTS REQUIRED



HARDWARE REQUIRED

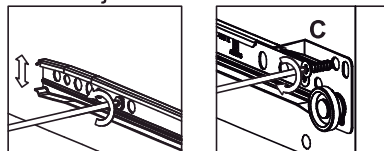


TOOLS REQUIRED



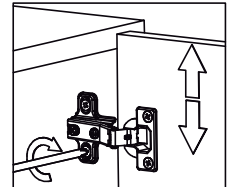
Detail 23

Drawer Adjustment Drawer Lock

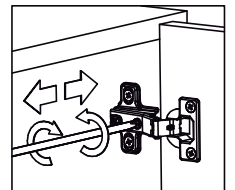


Detail 23

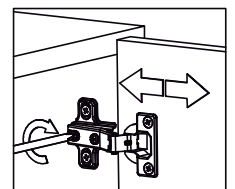
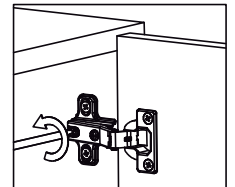
Height Adjustment



Internal Adjustment



Depth Adjustment



WARNING

Serious or fatal injuries can occur from furniture tipping over. To prevent the furniture from tipping over we recommend that it is permanently fixed to the wall.

Wall fixings are not supplied with this product as different wall materials require different types of fixing devices.

Please make sure you use fixings suitable for the walls in your home.

