


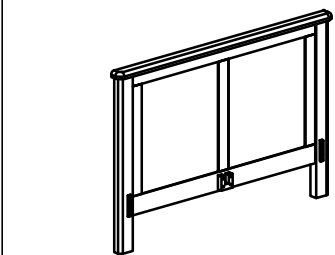


ASSEMBLY INSTRUCTION

135cm Double Bed 4'6

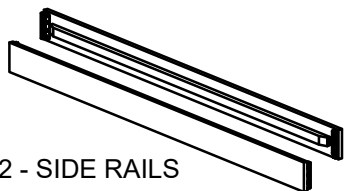
No	Name of Hardware	Q.ty
①	Bolt M6x10 	8
②	Allen Key (K5) 	1
②	Screws Ø4 x 35 	8



Ax1 - HEAD BED



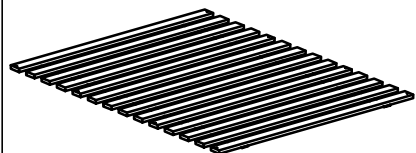
Bx1 - FOOT BED



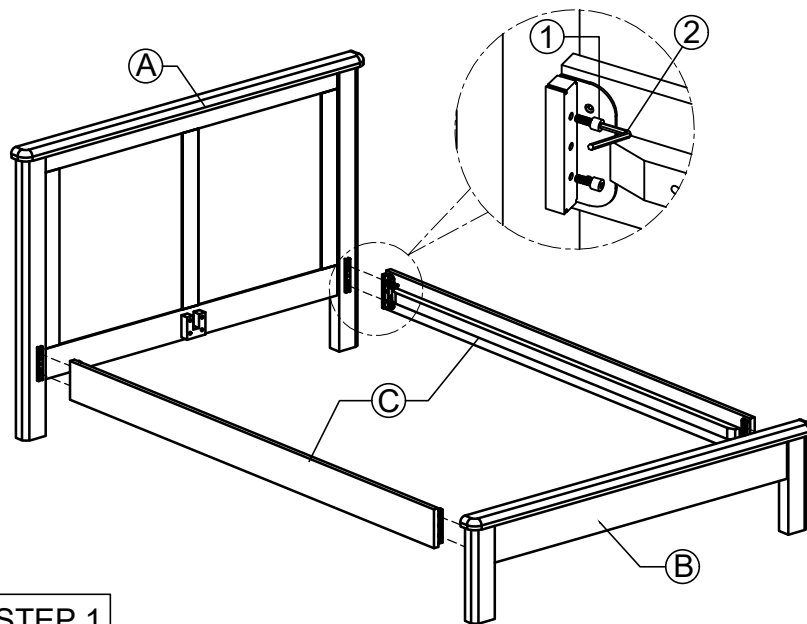
Cx2 - SIDE RAILS



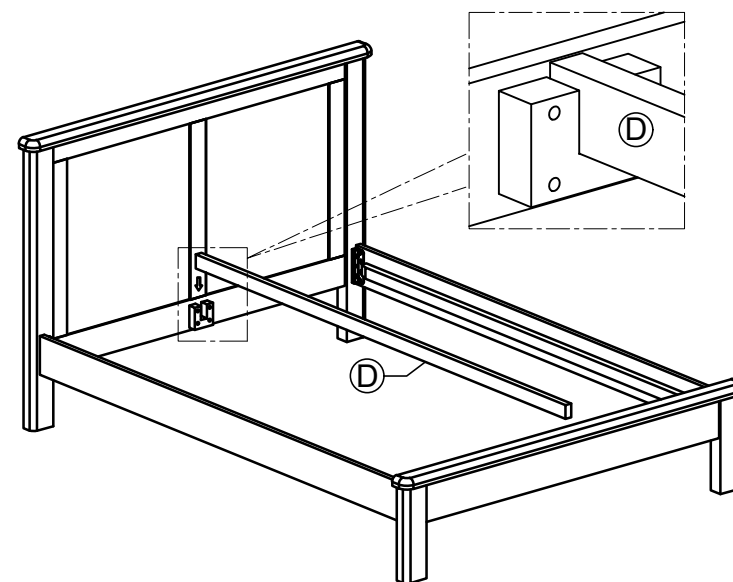
Dx1 - METAL CENTER RAIL



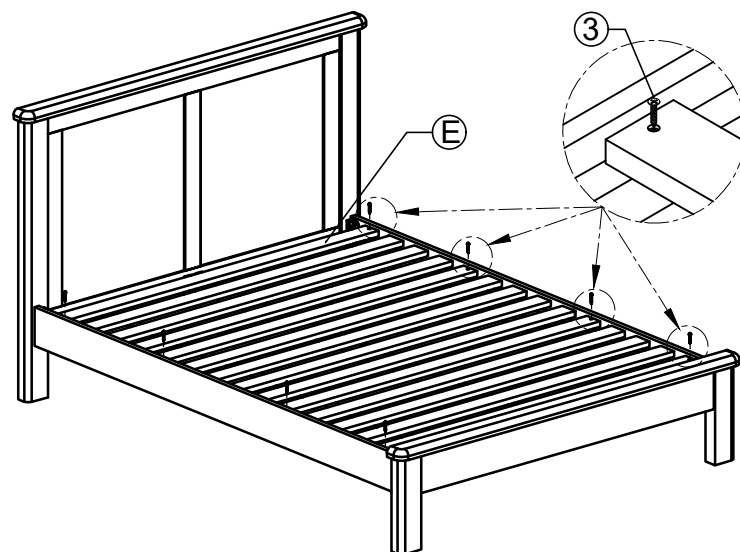
Ex1(Set) - Slats



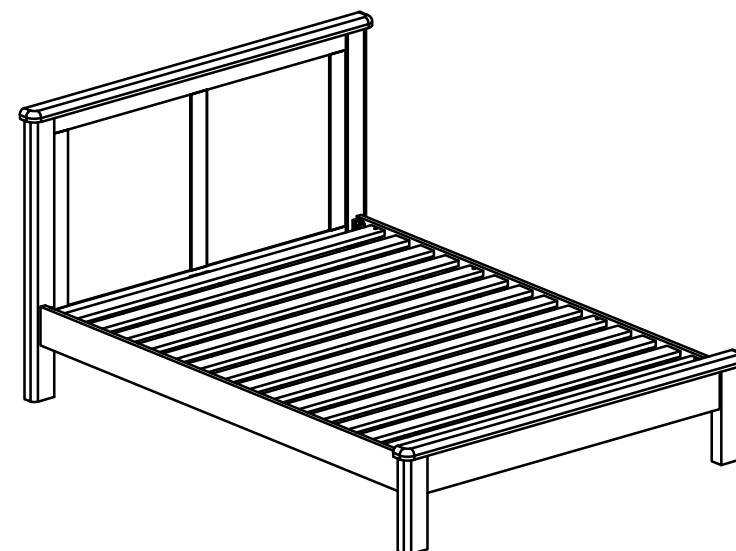
STEP 1



STEP 2



STEP 3



FINAL