







# ASSEMBLY INSTRUCTION

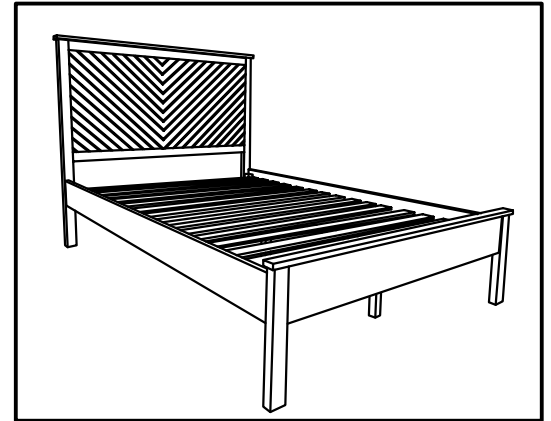
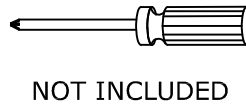
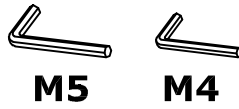
**CHEVRON**  
DOUBLE BED

## Hardware

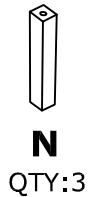
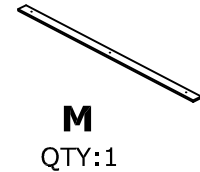
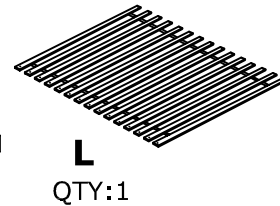
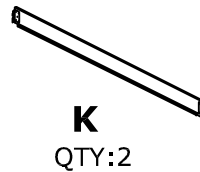
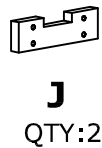
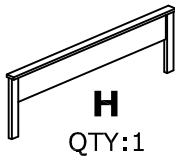
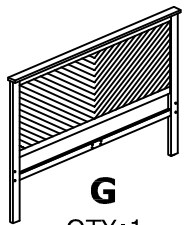
ITEM	IMAGE	DESCRIPTION	QTY
<b>A</b>		M8 x 25mm JCBC Screw	8
<b>B</b>		M6 x 30mm JCBC Screw	8
<b>C</b>		M6 x 40mm JCBC Screw	3
<b>D</b>		M6 x 13mm Flat Washer	11
<b>E</b>		M4 x 32mm Wood Screw	32
<b>F</b>		Adjustable Leg	3

## Tools Required

Power tools NOT recommended

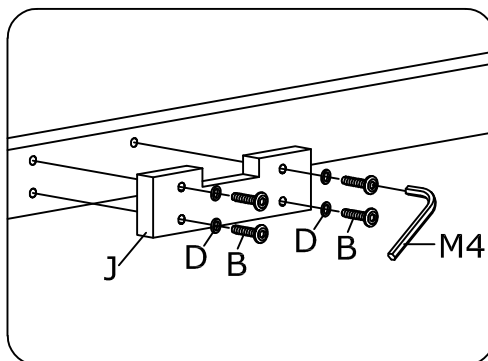


## Components

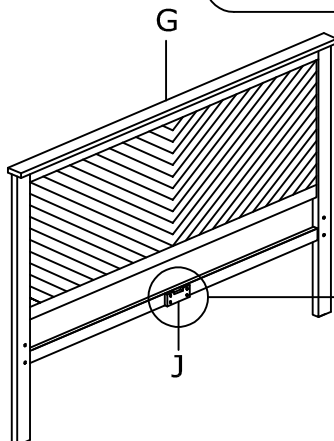


## Assembly Instruction

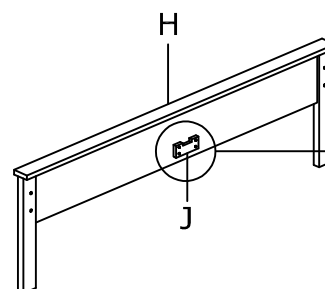
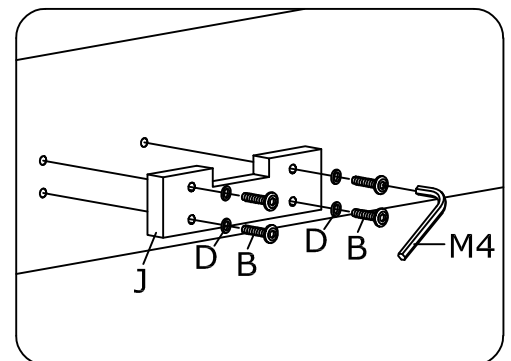
**1**



2X



**2**

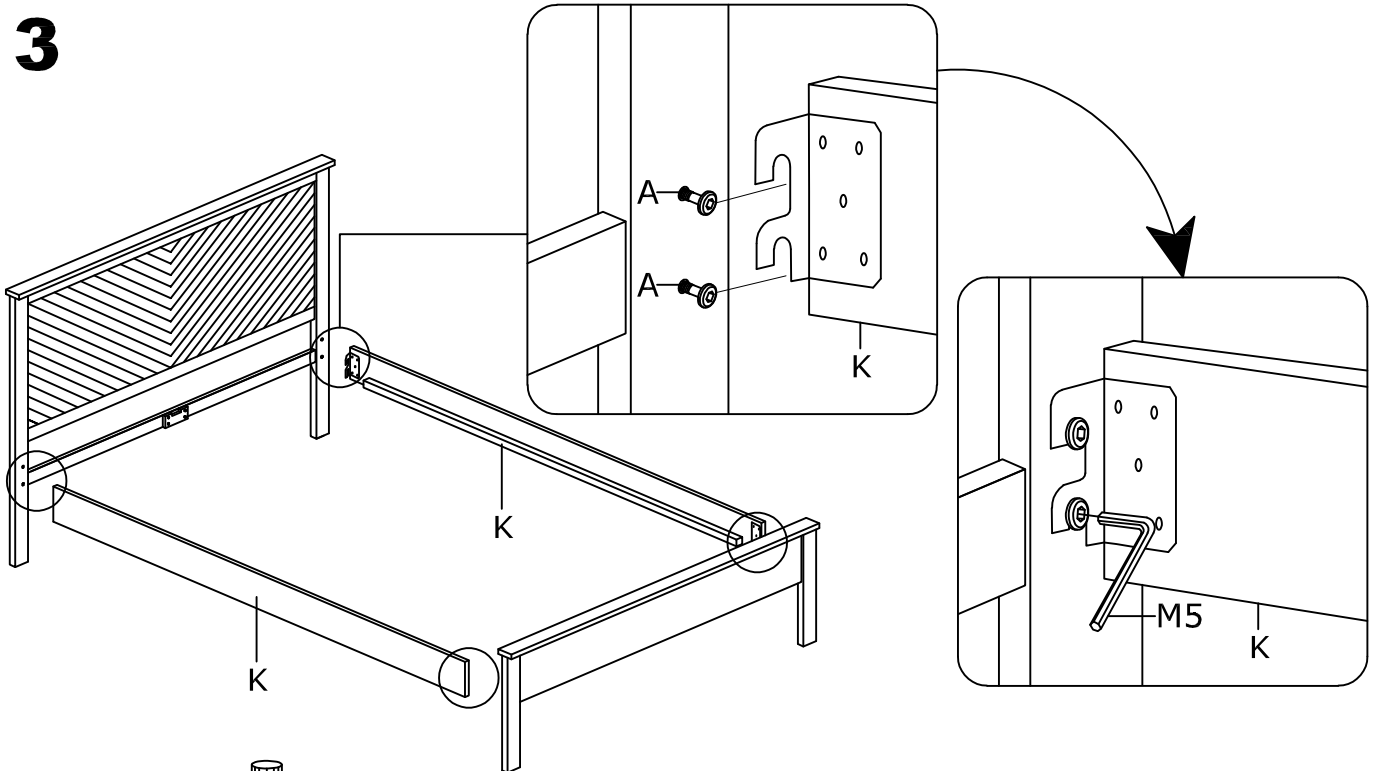


For user safety periodically verify and tighten all fittings.

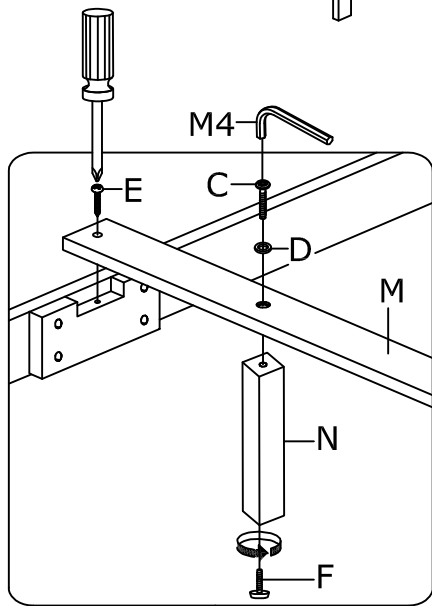
# ASSEMBLY INSTRUCTION

**CHEVRON**  
DOUBLE BED

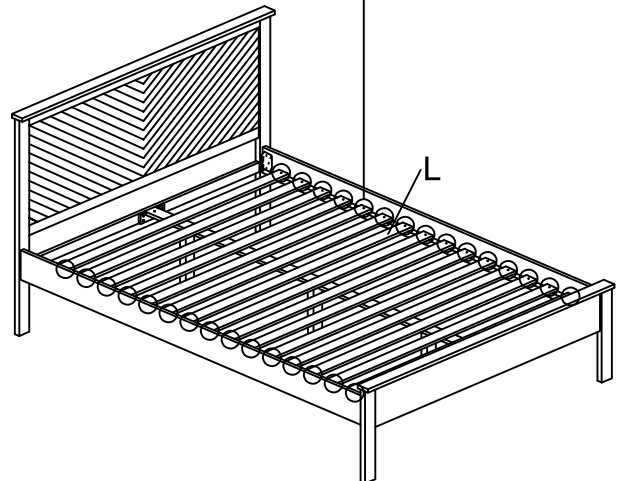
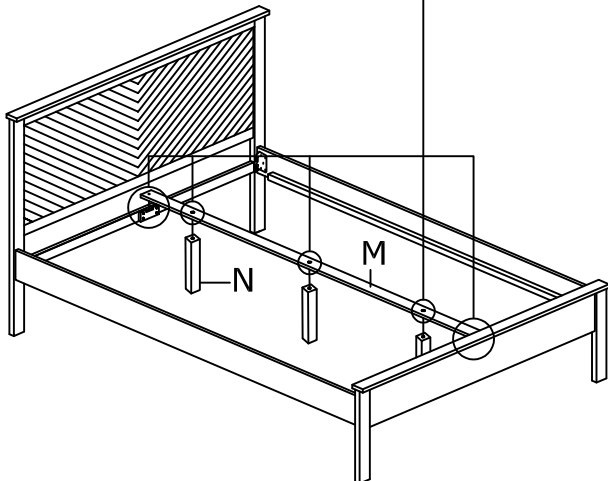
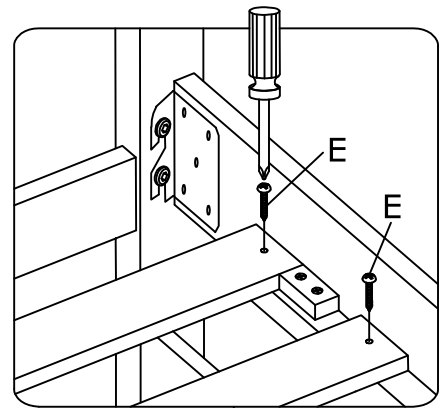
**3**



**4**



**5**



**For user safety periodically verify and tighten all fittings.**

13.04.2023 DB v\_1-Chevron Double Bed