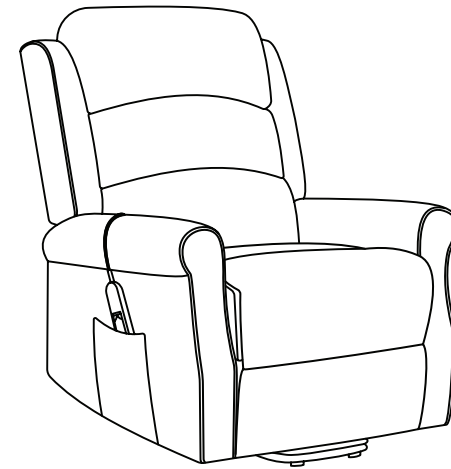
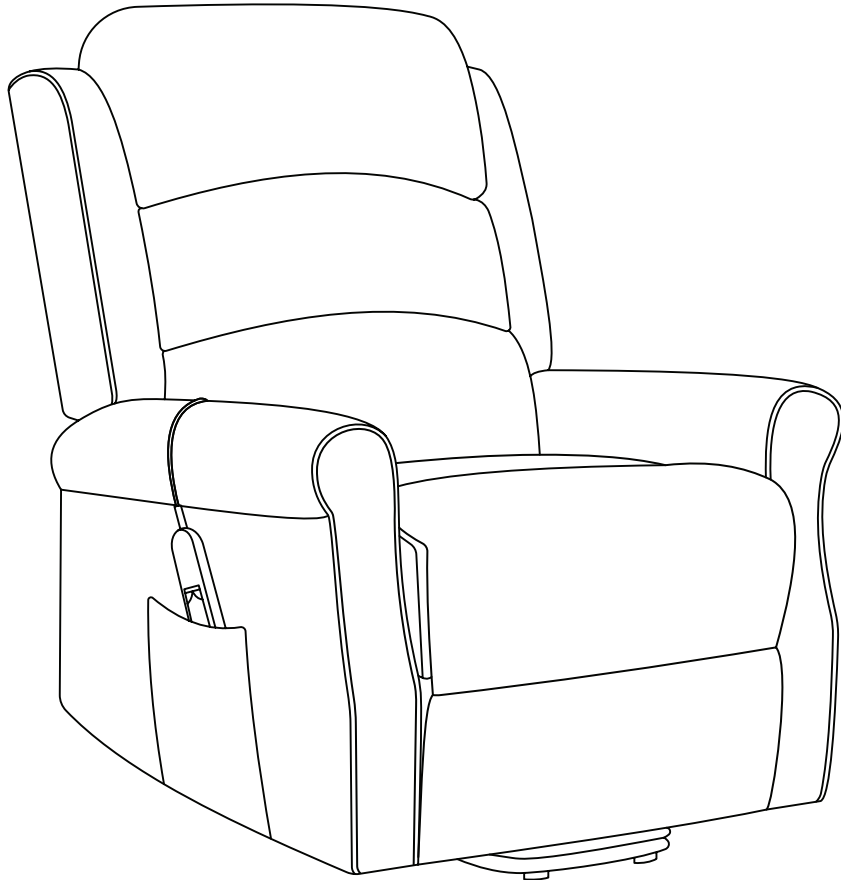


### STEP 3

Your chair is ready for use.



## KY101 RECLINER CHAIR

Thank you for your purchase. The following care instructions will allow you to make the most of your chair; helping to prolong the look and life of it by preventing wear and damage.

### IMPORTANT INFORMATION

**PLEASE ENSURE YOU READ THIS LEAFLET BEFORE USING YOUR CHAIR. DO NOT DISCARD OF ANY PACKAGING UNTIL YOU HAVE CHECKED THE PRODUCT THOROUGHLY.**

### CARING FOR YOUR CHAIR

- Pre-brush fabric with a soft brush and then gently vacuum.
- Plump any accent/removable cushions regularly to prevent them becoming mis-shaped or flat.
- Use a microfibre cloth to remove dust from wooden surfaces.
- In the event of a spill or stain, use specialist upholstery cleaner or cleaning services.

### SUNLIGHT AND HEAT DAMAGE

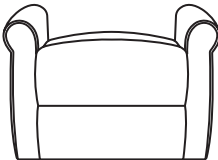
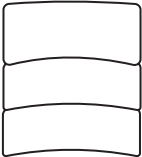



- Avoid contact with direct sunlight. If needed, move items or change their position to avoid the same area being exposed to repeated sunlight/heat.
- Do not place your chair close to fire places and/or radiators.
- Hot objects such as mugs/plates can permanently mark the fabric and wood, avoid placing these on the chair.

FABRIC CONTENT  
MAIN FABRIC 100% POLYESTER  
OTHER FABRIC (VISIBLE)  
NON-WOVEN FABRIC 100% POLYESTER

## SAFETY WARNINGS

- Do not allow children or pets to climb or jump on the chair or through the arms.
- Avoid contact with sharp objects such as buckles, toys and jewellery as these can easily snag, tear and/or pull the fabric.
- Avoid the risk of entrapment by using the chair as intended; sitting facing forward on the seat.
- Keep small parts away and out of reach of children and pets.
- Do not allow children to operate the chair mechanism.

## PARTS LIST

IMAGE	DESCRIPTION	PART NO.	QTY
	Seat	A	1
	Back	B	1
	Ear (L)	C	1
	Ear (R)	D	1
	Wires & Transformer	E	1

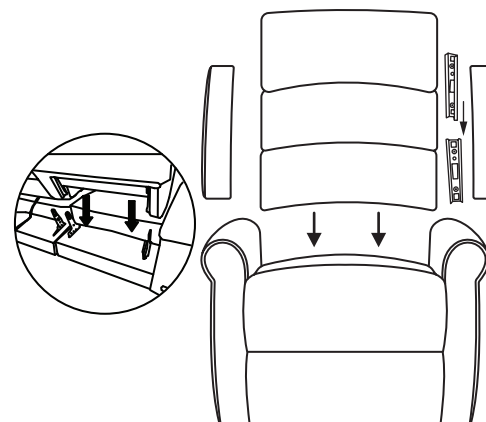
## ASSEMBLY INSTRUCTIONS

Unpack your sofa bed and check that all the parts on the Parts List are present - these may be in a zip compartment within the base. If any are missing, please contact the retailer from whom you purchased the product.

We would advise having 2 people to assemble this product.

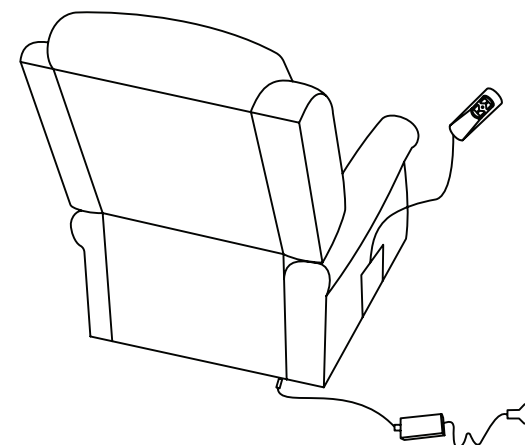
### STEP 1

Assemble your chair on a flat, soft surface to prevent any damage. Attach the Wings to the Back and then the Back to the Seat.



### STEP 2

Connect the Wires & Transformer to the Chair.



# USER GUIDANCE & SAFETY WARNINGS

- Please keep these instructions for future reference.
  - Once items are fully assembled, they are not returnable unless faulty.
  - Assembly should be carried out by a competent person.
  - No liability will be accepted for damage or injury caused by incorrectly installed or assembled furniture.
  - This is an electrical item and should only be used indoors in a dry environment.
  - Always check that nothing is obstructing the free movement of the chair or left under the chair e.g. children, pets, solid objects.
  - This furniture should only be operated by a responsible adult - do not allow children to operate the mechanism and any children in the area must be supervised at all times.
  - Never sit on the leg rest as this will damage the furniture and may cause it to tip over.
  - Never allow more than one person to sit on the chair at one time as this will damage the furniture and may cause it to tip over.
  - If any part of the furniture is faulty, stop using and contact the customer service department from where you purchased the product.
  - Ensure cables are safely stored to avoid trip hazards, and to prevent cables becoming trapped in the chair mechanism.
- Do not allow children or pets to climb or jump on the sofa.
  - Avoid the risk of entrapment by using the sofa as intended; sitting facing forward on the seat.
  - Before first use, the chair should be tested to ensure that all functions are working correctly.
  - Keep small parts away and out of reach of children and pets.
  - Do not exceed the weight limit: 140kg/22st/311lbs per seat.



WASTE ELECTRICAL PRODUCTS SHOULD NOT BE DISPOSED OF WITH HOUSEHOLD WASTE. PLEASE RECYCLE WHERE FACILITIES EXIST. CHECK WITH YOUR LOCAL AUTHORITY FOR RECYCLING ADVICE.