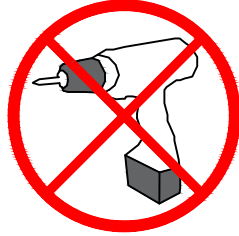


# ASSEMBLY INSTRUCTIONS

**IMPORTANT**  
BECAUSE OF THE SIZE OF THIS UNIT, WE RECOMMEND THAT IT IS BUILT IN THE ROOM OF INTENDED USE AND ASSEMBLED BY 2 PEOPLE.

**DO NOT USE POWER TOOLS.**

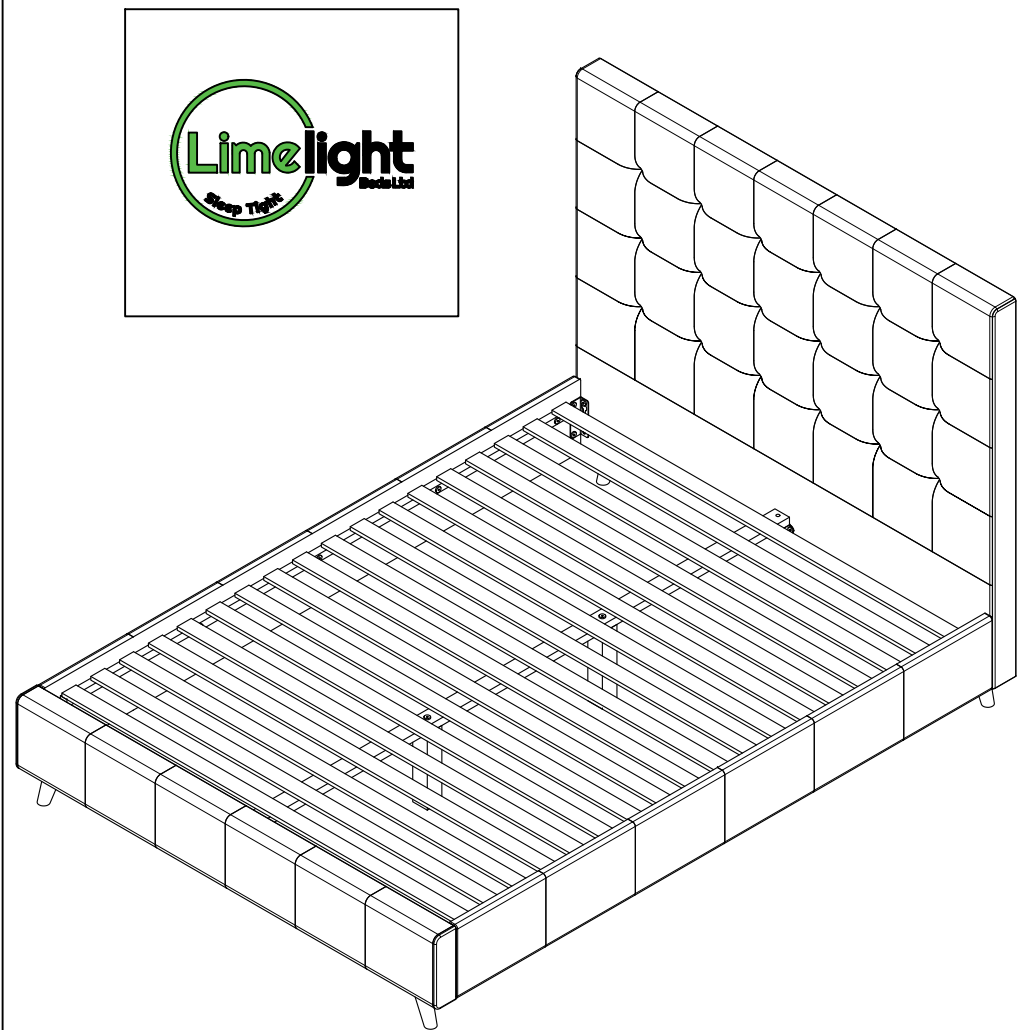


**BEFORE YOU START, HERE IS SOME HELPFUL ADVICE.**

1. The product you have purchased will give you many years of service if you follow the guidelines for its safe assembly, periodic maintenance and cleaning.
2. Do not use any tools other than those indicated. Use of a power tool to assemble the product will invalidate any claim and could make this product unsafe.
3. **DO NOT DISCARD OF PACKAGING UNTIL YOU ARE FULLY SATISFIED WITH THE PRODUCT.** Discard any excess fittings and out of reach of children.
4. Assemble this product on a clean flat surface to avoid any scratching.
5. Assemble all parts loosely before tightening any bolts. Ensure bolts are fully tightened but not forced as over-tightening may damage this product and/or fittings.

## CARING FOR YOUR LIMELIGHT BED

1. When moving your fully assembled bed, you must first remove the mattress and lift the frame into position. Take care when lifting to always have two people handling the bed. **PLEASE DO NOT DRAG THE BED** as this may cause misalignment to the bedbase, making it unsafe.
2. It is advisable to use approved cleaning products when cleaning the upholstered panels as certain chemical based cleaners could have an adverse effect on the fabric.
3. Depending on usage, it may be necessary to tighten up the fittings from time to time.



### PROBLEM?

All Limelight beds are produced to the highest standards and are packed to avoid damages in transit. Should you find that your new bed does not meet your satisfaction, please contact us.

If you encounter any difficulty with the assembly of your bed, **PLEASE DO NOT TROUBLE** your retailer but do contact our **CUSTOMER SERVICES DEPARTMENT** at the following hours:

**9AM TO 5PM on MONDAY TO THURSDAY,  
9AM TO 4PM on FRIDAY.**

**TEL: 01455 850150**

**EMAIL : [customerservice@limelightbeds.co.uk](mailto:customerservice@limelightbeds.co.uk)**

**ADDRESS:**  
**Limelight Beds Ltd**  
**Orbital House, Arthur Street**  
**Barwell, Leicestershire, LE9 8GZ**

Please have the **PRODUCT NAME** and **PART NUMBER** ready for our staff.

See our product range online at [www.limelightbeds.co.uk](http://www.limelightbeds.co.uk)

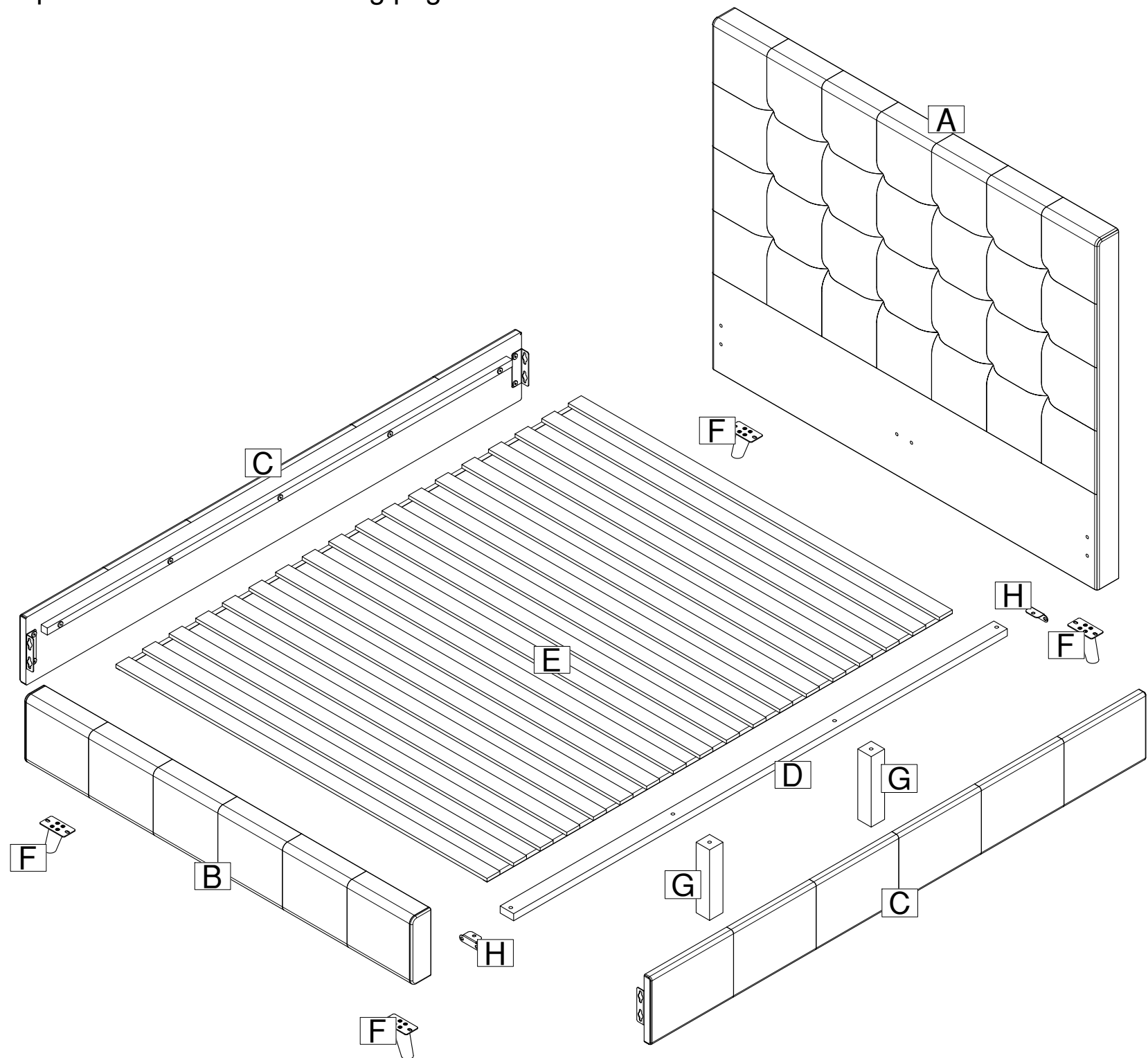
### IMPORTANT NOTICE

Should you need to return unassembled product . Please repack in original packaging .

# Parts

## Important information

The bed frame you have purchased comes with all the parts necessary to build you a beautiful bed, please follow the instructions below in the current order. Before you begin building your bed please take a moment to read through the instructions and make sure that you've got all the relevant parts listed on the following pages.

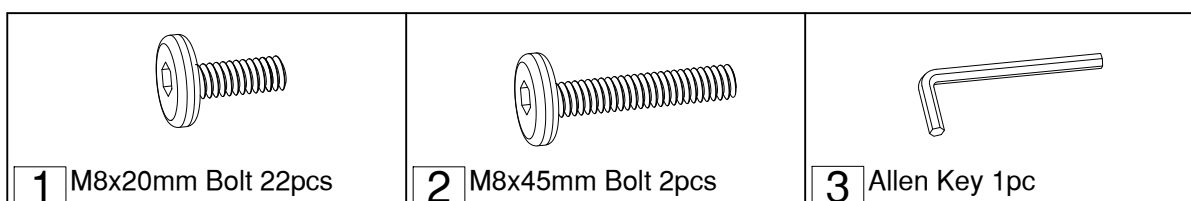


## Parts list



NO.	Part list	QTY	NO.	Part list	QTY
A	Headboard	1pc	E	Slat 4'6/5'	17pcs/18pcs
B	Footboard	1pc	F	Wooden Legs	4pcs
C	Side Rail	2pcs	G	Centre Support Rail Legs	2pcs
D	Centre Support Rail	1pc	H	Metal 'L' Bracket	2pcs

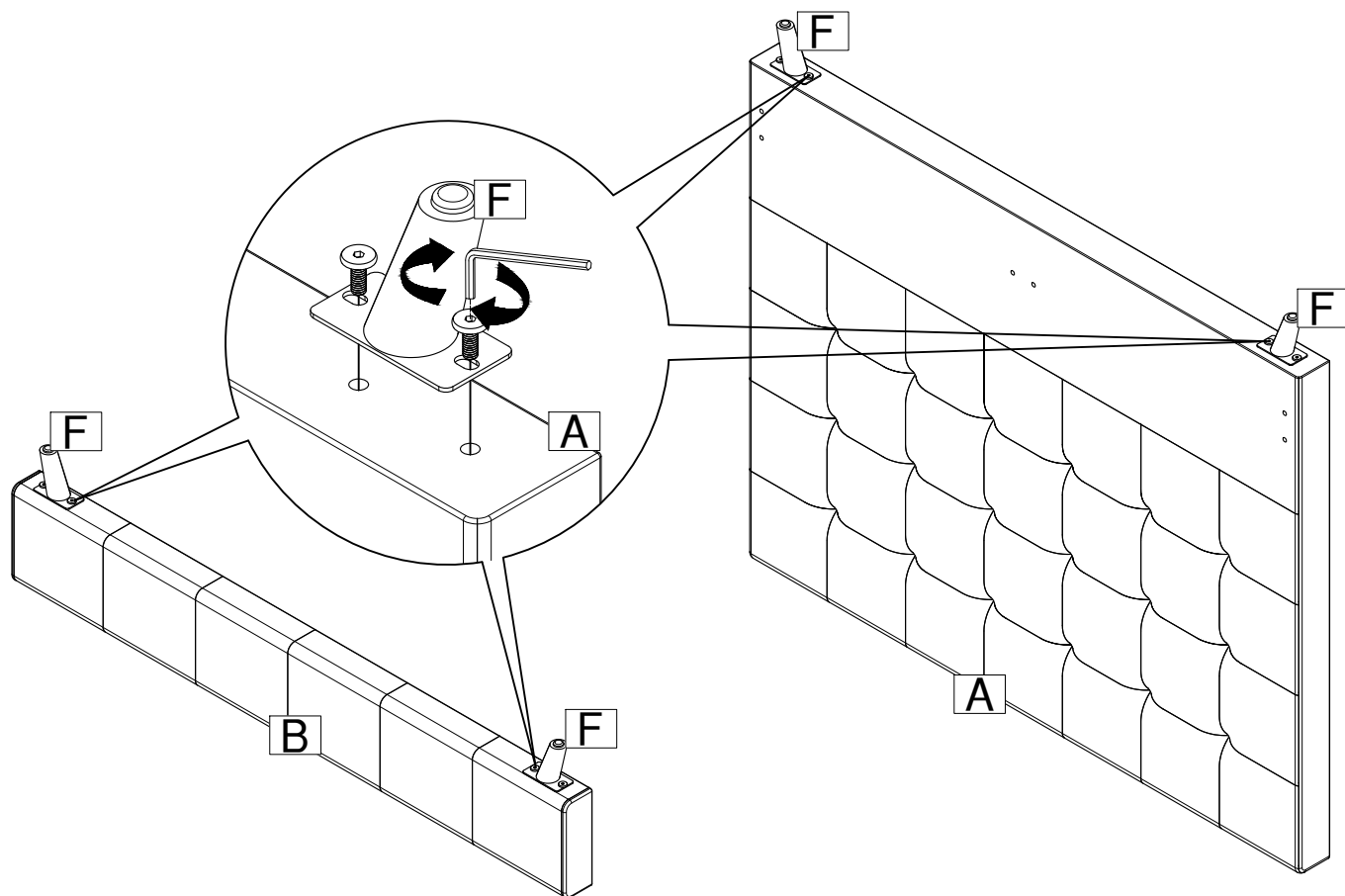
## Fittings

Please check you have all the parts listed below with your product.





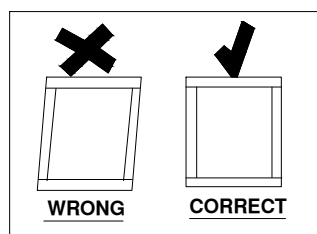
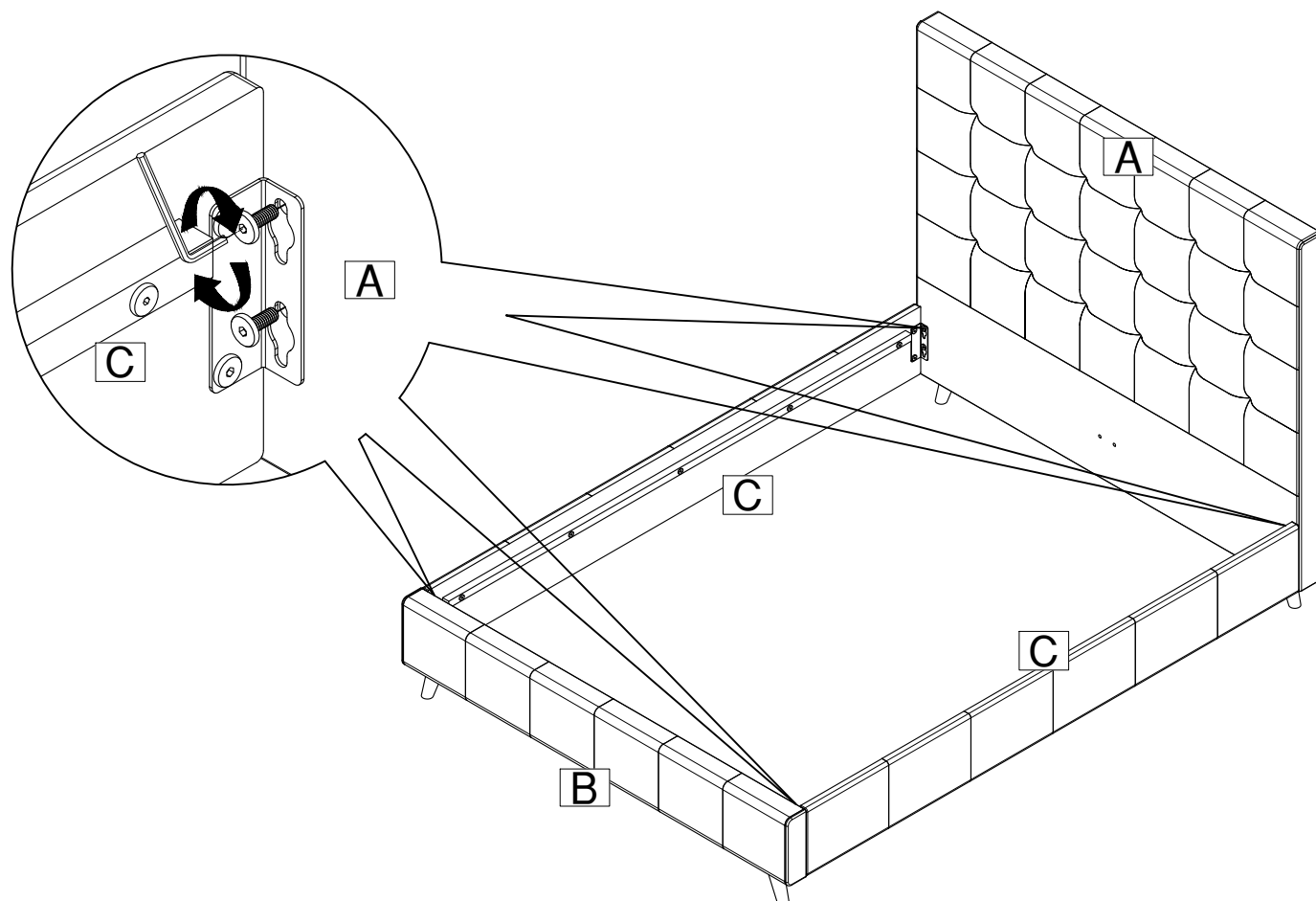
## Step 1:

- 1  8pcs
- 3  1pc






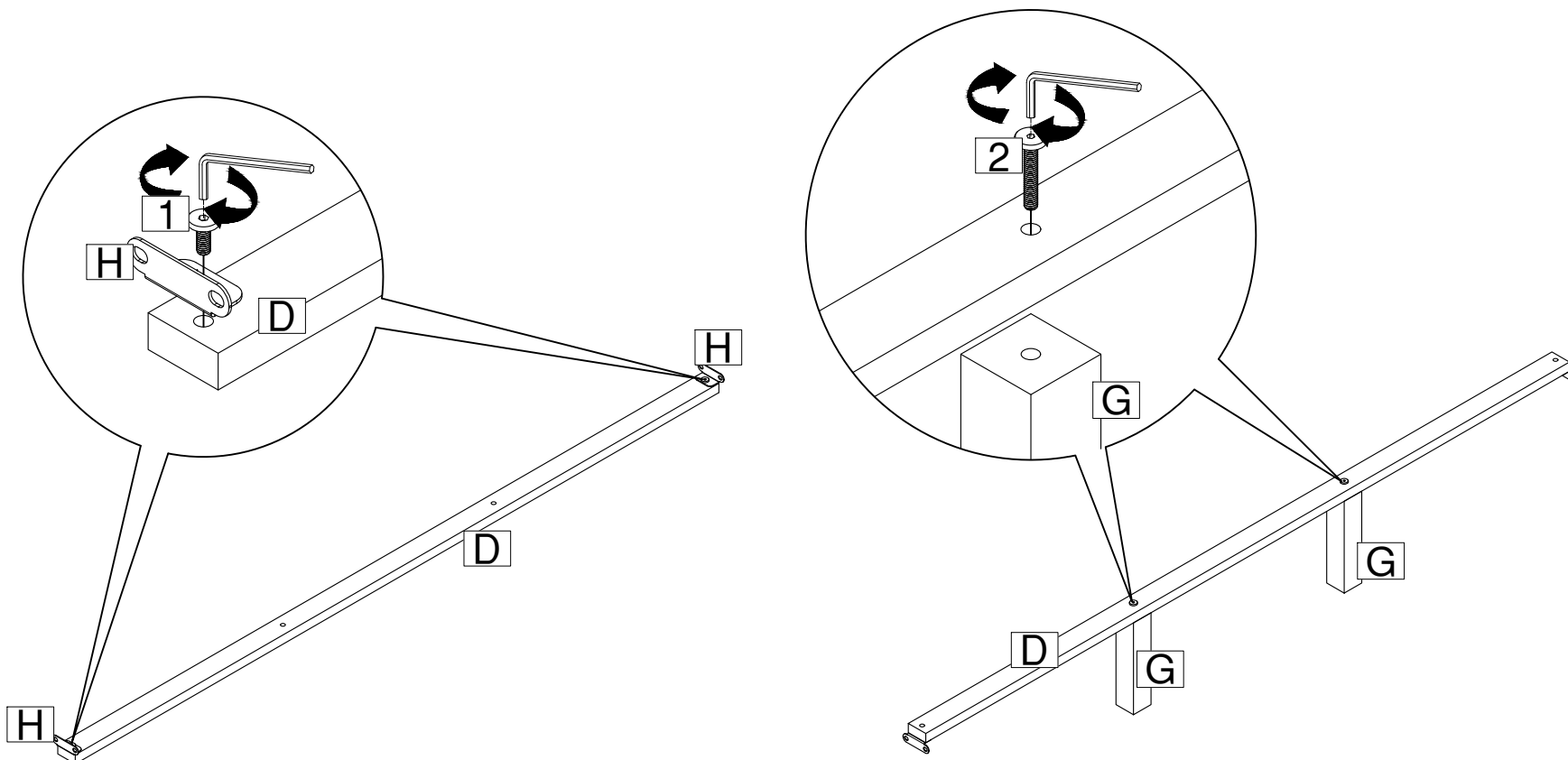
## Step 2:

- 1  8pcs
- 3  1pc

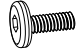



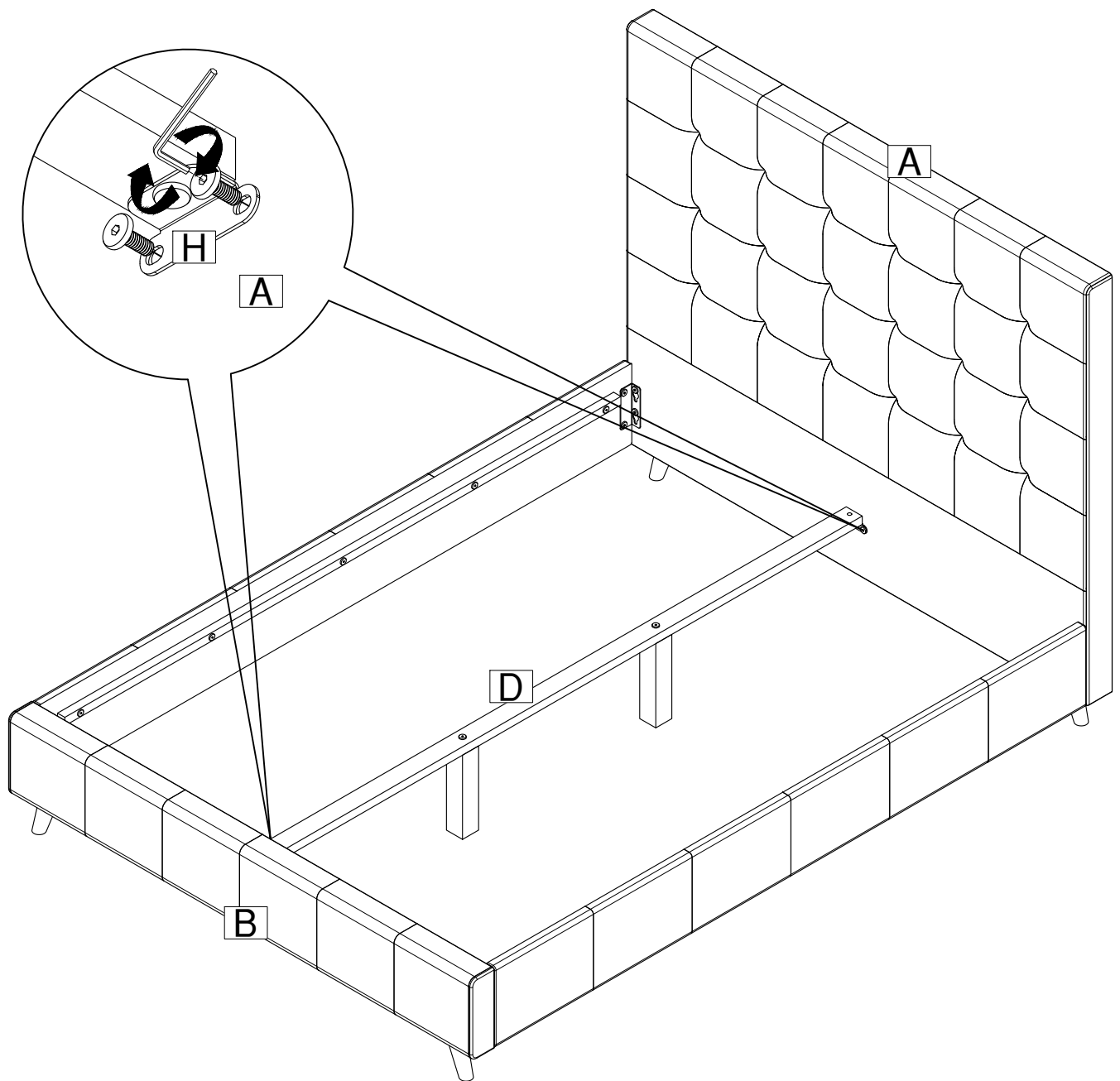
## Step 3:

- 1  2pcs
- 2  2pcs
- 3  1pc

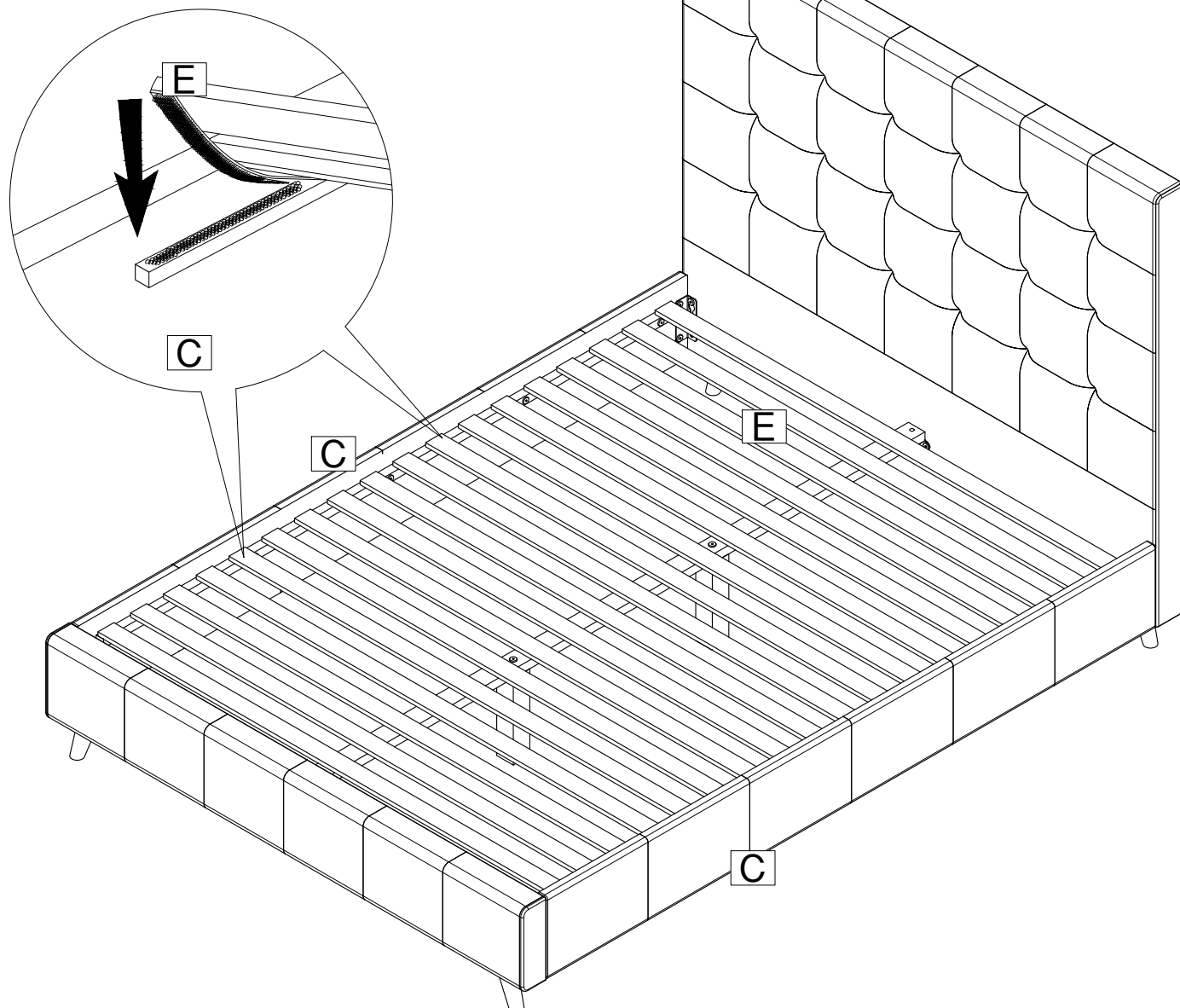


## Step 4:

- 1  4pcs
- 3  1pc



## Step 5:



## **Caring for your New Limelight product**

- When assembling your product please ensure that you have checked the contents for all relevant parts.
- When tightening bolts make sure that they are fully tightened but not forced.

### **BEDS WITH CENTRE LEGS**

- PLEASE NOTE THE RECOMMENDED PROCESS FOR ADJUSTING CENTRE LEGS WHEN ASSEMBLING YOUR BED.
- BEFORE PLACING THE MATTRESS ON THE BASE, PLEASE ENSURE THAT THE SUPPORT LEGS ARE NOT QUITE TOUCHING THE FLOOR. WHEN THE BED IS THEN IN USE THE SUPPORT LEGS WILL SIT FIRMLY ON THE SOLID SURFACE.
- PLEASE ENSURE THAT THE LEGS ARE VERTICAL.
- DUE TO THE NATURE OF LAMINATE FLOORING WE RECOMMEND THAT YOU PLACE A SMALL PIECE OF HEAVY DUTY NON SLIP MATERIAL UNDER THE LEGS WHICH WILL GIVE YOU THE FLEXIBILITY THAT THE ADJUSTERS NEED.
- WHEN MOVING THE BED IT IS ESSENTIAL THAT IT IS **LIFTED** INTO THE NEW POSITION. **NEVER DRAG** THE BED AS THIS WILL MOVE THE LEGS FROM THE VERTICAL POSITION THUS WEAKENING THE SUPPORT OF THE CENTRE RAIL.
- ADHERING TO THE RECOMMENDED PROCESS SHOULD ENSURE THAT YOUR BED GIVES YOU YEARS OF TROUBLEFREE SERVICE.
- IT IS ADVISABLE TO USE APPROVED CLEANING PRODUCTS WHEN CLEANING OUR PRODUCTS AS CERTAIN CHEMICAL BASED CLEANERS COULD HAVE AN ADVERSE EFFECT ON THE BED FINISH.
- ALL LIMELIGHT BEDS ARE PRODUCED TO THE HIGHEST STANDARDS AND ARE PACKED TO AVOID DAMAGE IN TRANSIT, SHOULD YOU FIND THAT YOUR NEW BED DOES NOT MEET WITH YOUR SATISFACTION PLEASE CONTACT LIMELIGHT CUSTOMER CARE ON 01455 850150.
- PLEASE NOTE: GOODS THAT NEED TO BE RETURNED SHOULD BE SENT BACK IN ORIGINAL PACKAGING.

# **PROBLEMS?**

**SHOULD YOU ENCOUNTER ANY DIFFICULTY WITH THE  
ASSEMBLY OF YOUR BED,  
PLEASE DO NOT TROUBLE YOUR RETAILER BUT  
CALL, E-MAIL or WRITE to our  
CUSTOMER SERVICES DEPARTMENT  
BETWEEN THE HOURS OF  
9am to 5pm MONDAY to THURSDAY AND  
9am to 4pm FRIDAY**

**Tel:-01455 850150**

**E-mail: - [customerservice@limelightbeds.co.uk](mailto:customerservice@limelightbeds.co.uk)**

**Limelight Beds Ltd  
Orbital House  
Arthur Street  
Barwell  
Leicestershire  
LE9 8GZ**

**Please have the following information ready for our  
staff:**

**Product name, part number & batch code**

**See our range on Web Site: -  
[www.limelightbeds.co.uk](http://www.limelightbeds.co.uk)**