



Birlea

Suppliers of inspiration

Vendor: S000159



ASSEMBLY INSTRUCTIONS
TRESSA TRIPPLE BUNK BED

IMPORTANT: READ THESE INSTRUCTIONS CAREFULLY BEFORE ATTEMPTING TO ASSEMBLE OR USE YOUR CINDY BED TWIN IVORY FRAME

PLEASE KEEP THESE INSTRUCTIONS FOR FUTURE REFERENCE

HEALTH & SAFETY:

DO NOT jump or play on this bed frame

DO NOT use this bed frame if any parts are missing, damaged or worn

DO NOT use this bed frame unless all fixings are secured

Always use on a level, even surface

Be aware of the danger of young children (under 6) falling from the upper bunk. It is not advisable for children under the age of 6 to sleep on the top bunk

Always use guardrails on both sides of the upper bunk

Ensure guardrails, the ladder and all components are maintained in the proper position, are free from damage and all fixings are secure

Always use the ladder when accessing and leaving the upper bunk

This frame complies with European Standard NF EN 747 1&2 + A1: 2015

CAUTION: There is the risk of strangulation to children from items such as string, ropes, cords, harnesses and belts hanging from the bed frame

WARNING: Children can become trapped between the bed and the wall. To avoid risk of serious injuries the distance between the wall and the top safety barrier should not exceed 75 mm or should be more than 230 mm

WARNING: If this bed is placed on a laminated floor you must place some protection under all legs to stop the bed frame from moving. If this is not adhered to there is no guarantee if the bed frame collapses

CARE & MAINTENANCE:

Periodically check all screws & fixings to ensure they are secure

DO NOT push the bed frame as this will damage the legs

Always lift the bed with two people to reposition

Keep any sharp objects away from the frame

Recommended maximum mattress height for top bunk is 160 mm

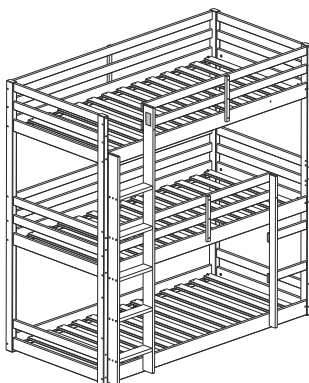
Please note this frame is constructed with natural living timber. Wood varies in shape and colour – knots, veins, resin pockets and colour differences all form a natural part of solid wood.

The frame will react to high and low temperatures, sunlight, humidity and drought. In cold and dry periods the wood will contract which may lead to small cracks. In warm and humid periods the wood will expand and may result in slight unevenness.

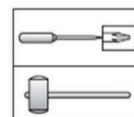
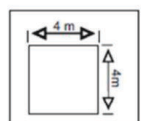
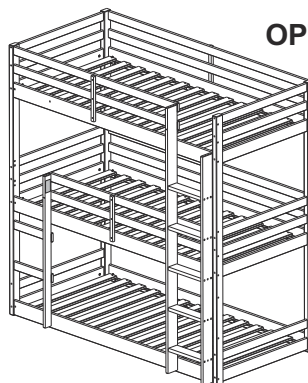
The colour of the wood also changes with time particularly if placed in a light area, this is a natural process with solid wood

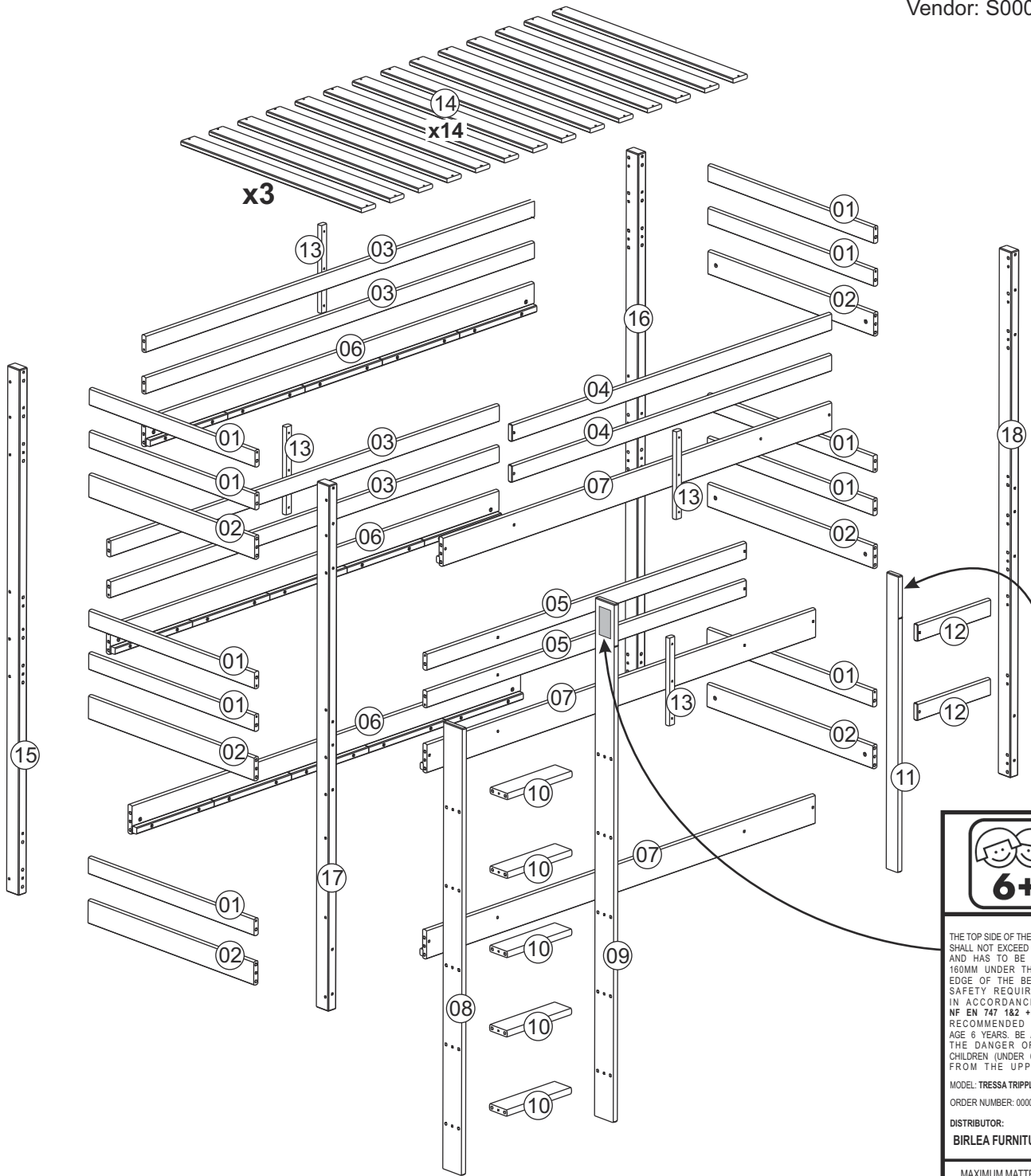
Any flexing that has occurred during transport will correct itself once the product has been correctly assembled


OPTIONS 1



OPTIONS 2





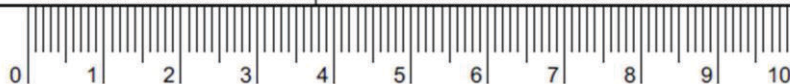
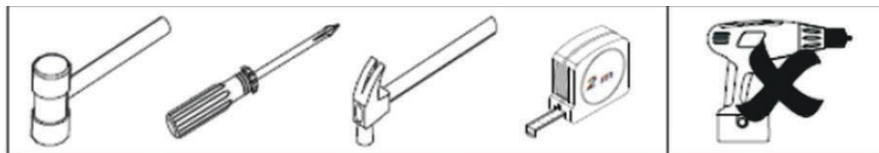


6+










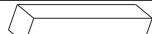



THE TOP SIDE OF THE MATTRESS SHALL NOT EXCEED THE MARK AND HAS TO BE AT LEAST 160MM UNDER THE UPPER EDGE OF THE BED GUARD. SAFETY REQUIREMENTS: IN ACCORDANCE WITH NF EN 747 1&2 + A1: 2015 RECOMMENDED MINIMUM AGE 6 YEARS. BE AWARE OF THE DANGER OF YOUNG CHILDREN (UNDER 6) FALLING FROM THE UPPER BED.

MODEL: TRESSA TRIPPLE BUNK BED
 ORDER NUMBER: 000000
 DISTRIBUTOR:
BIRLEA FURNITURE LTD

MAXIMUM MATTRESS HEIGHT



Parts List		
Part	Description	Qty
01	End Rails	10
02	End Rails	6
03	Back Guard Rail	4
04	Front Guard Rail	2
05	Front Guard Rail	2
06	Back Side Rail	3
07	Front Side Rail	3
08	Small Side of the Ladder	1
09	Long Side of the Ladder	1
10	Step	5
11	Side of the Ladder	1
12	Step	2
13	Rail Support	4
14	Slat	42
15	Left Back Foot	1
16	Right Back Foot	1
17	Left Front Foot	1
18	Right Front Foot	1

Parts List		
Part	Description	Qty
A	1/4" x 110mm Bolt 	12
B	1/4" x 90mm Bolt 	12
C	Barrel Nut 	24
D	7 x 100mm Bolt 	20
E	7 x 80mm Bolt 	14
F	7 x 60mm Bolt 	26
G	4 x 35mm Screw 	100
H	10 x 40mm Wooden Dowel 	102
I	Allen Key 	2
J	70 x 17mm Spacer Block 	2
K	Ø8 Cover Hole 	20
L	Ø10 Cover Hole 	26
M	Cod. 4002 	02

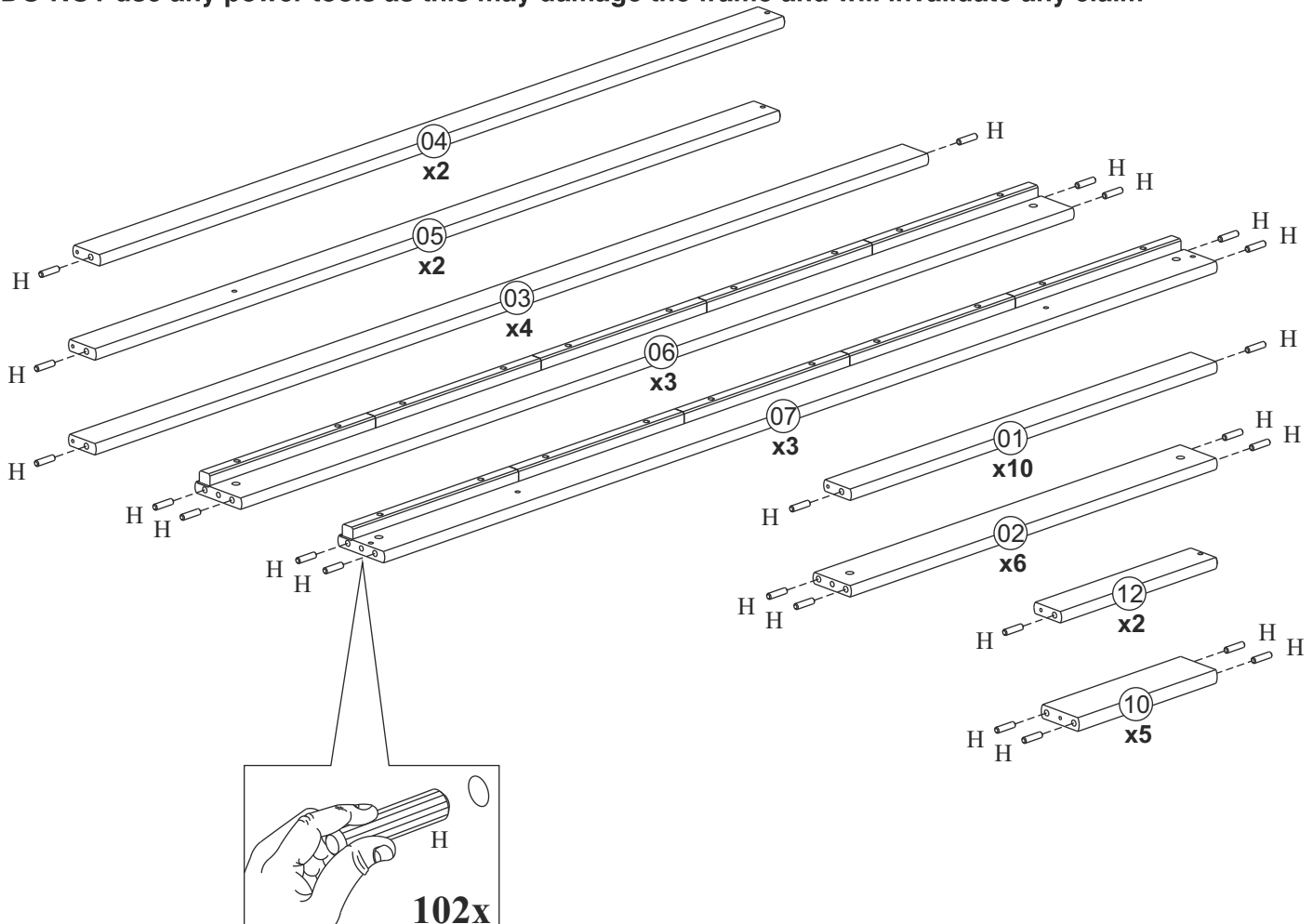
CAUTION

Parts K & L are small parts and can be a choke hazard. These are for decorative purpose only so if you are concerned Please leave out of the assembly.

**** You will need a screwdriver and small mallet (not provided)**

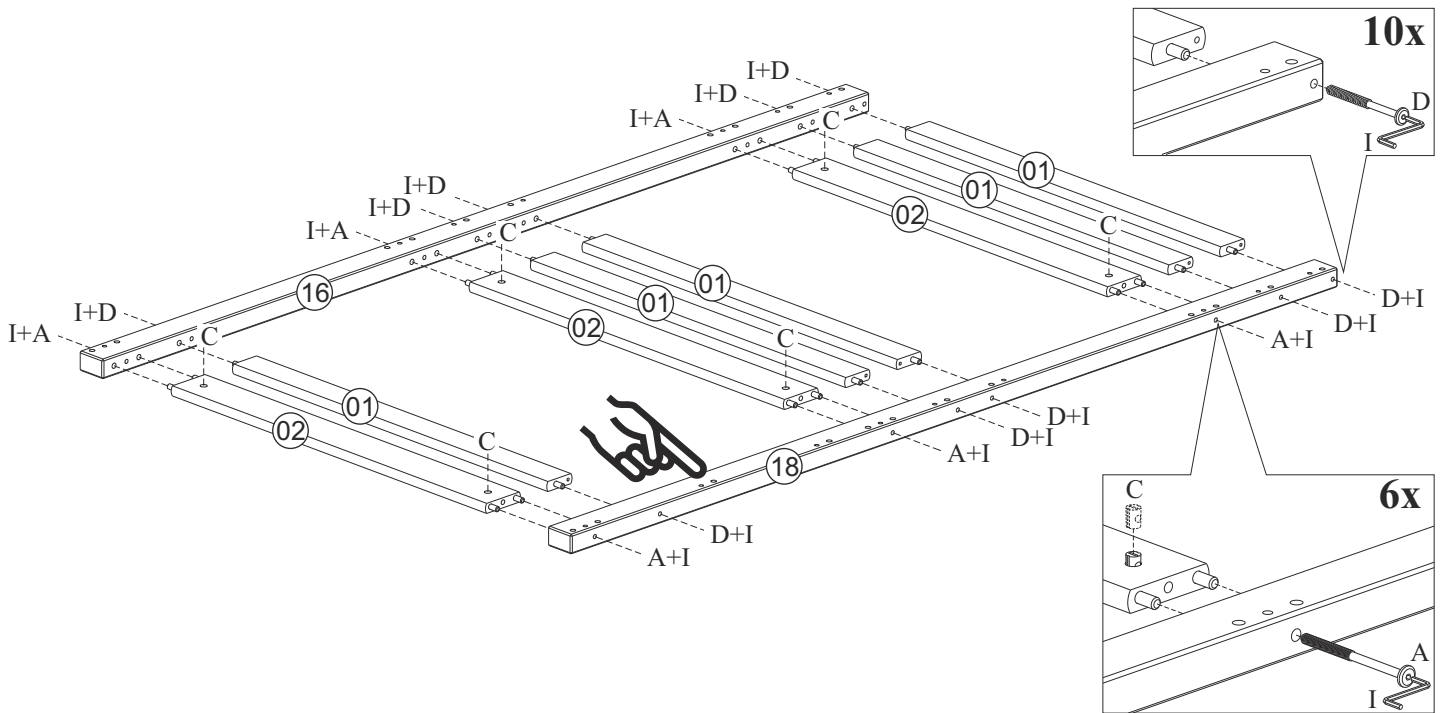
Step 1: Attach Wooden Dowel (H) to parts (1)10x, (2)6x, (3)4x, (4)2x, (5)2x, (6)3x, (7)3x, (10)5x and (12)2x.

DO NOT use any power tools as this may damage the frame and will invalidate any claim



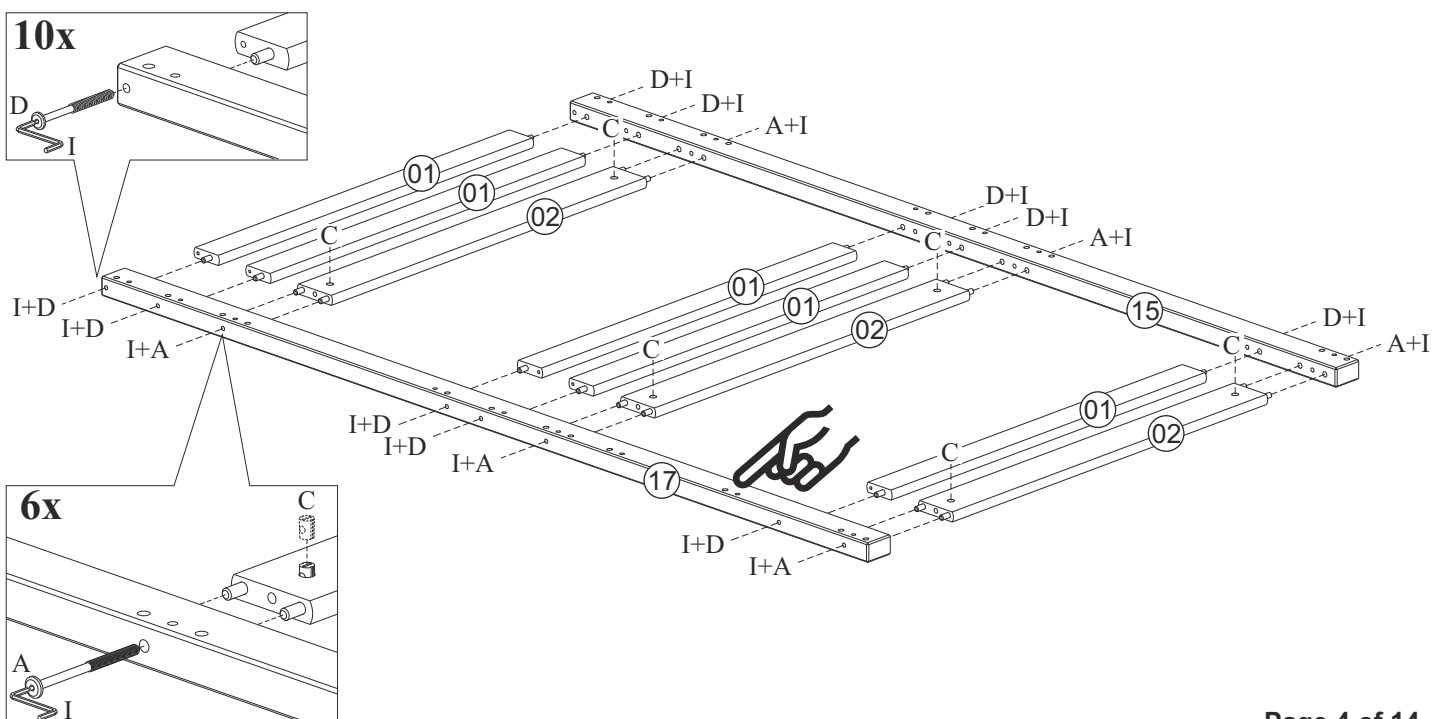
Step 2: Attach the end rails (1) and (2) to the foot (16) and foot (18) using hardware A, C, D and I.

DO NOT use any power tools as this may damage the frame and will invalidate any claim

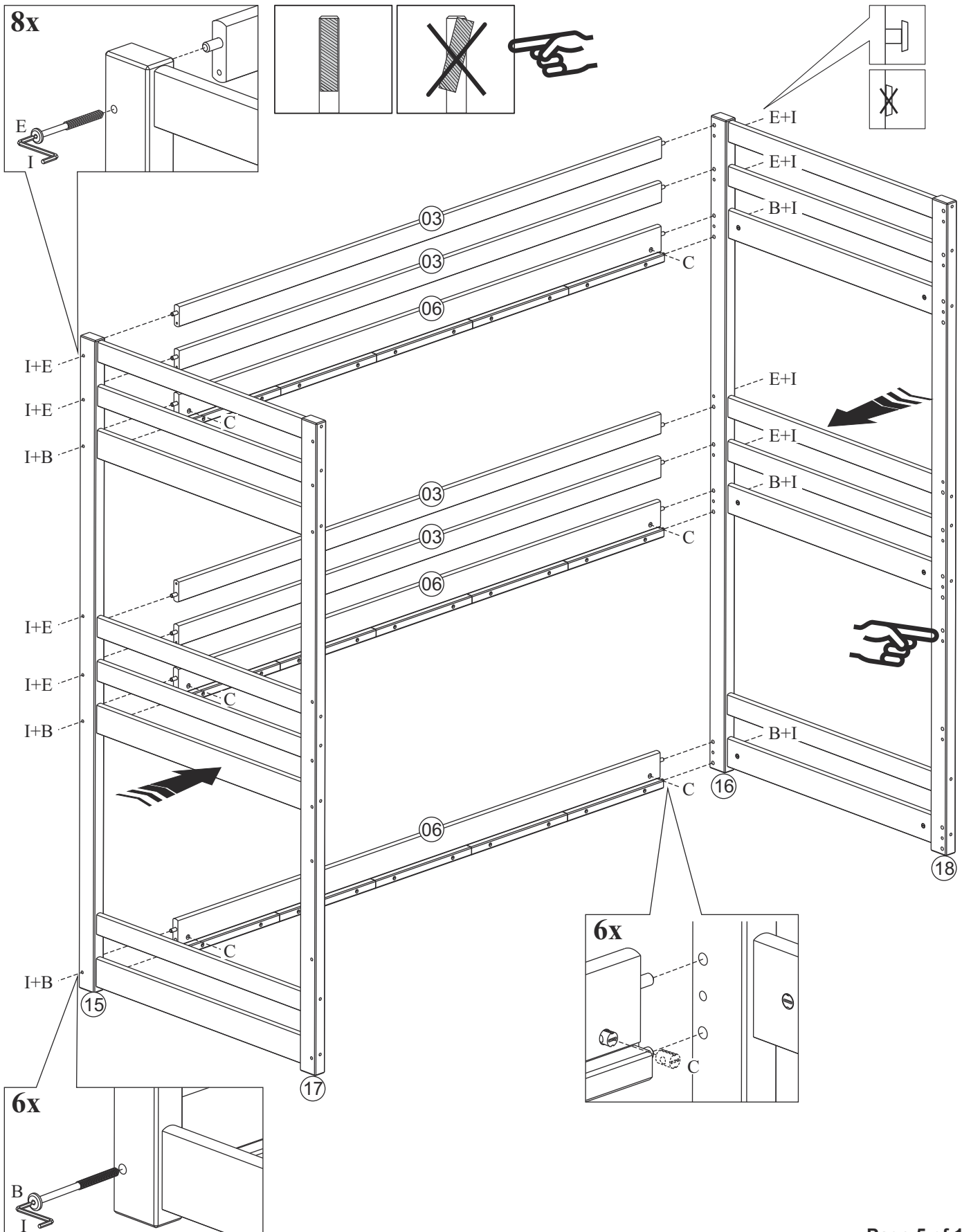


Step 3: Attach the end rails (1) and (2) to the foot (15) and foot (17) using hardware A, C, D and I.

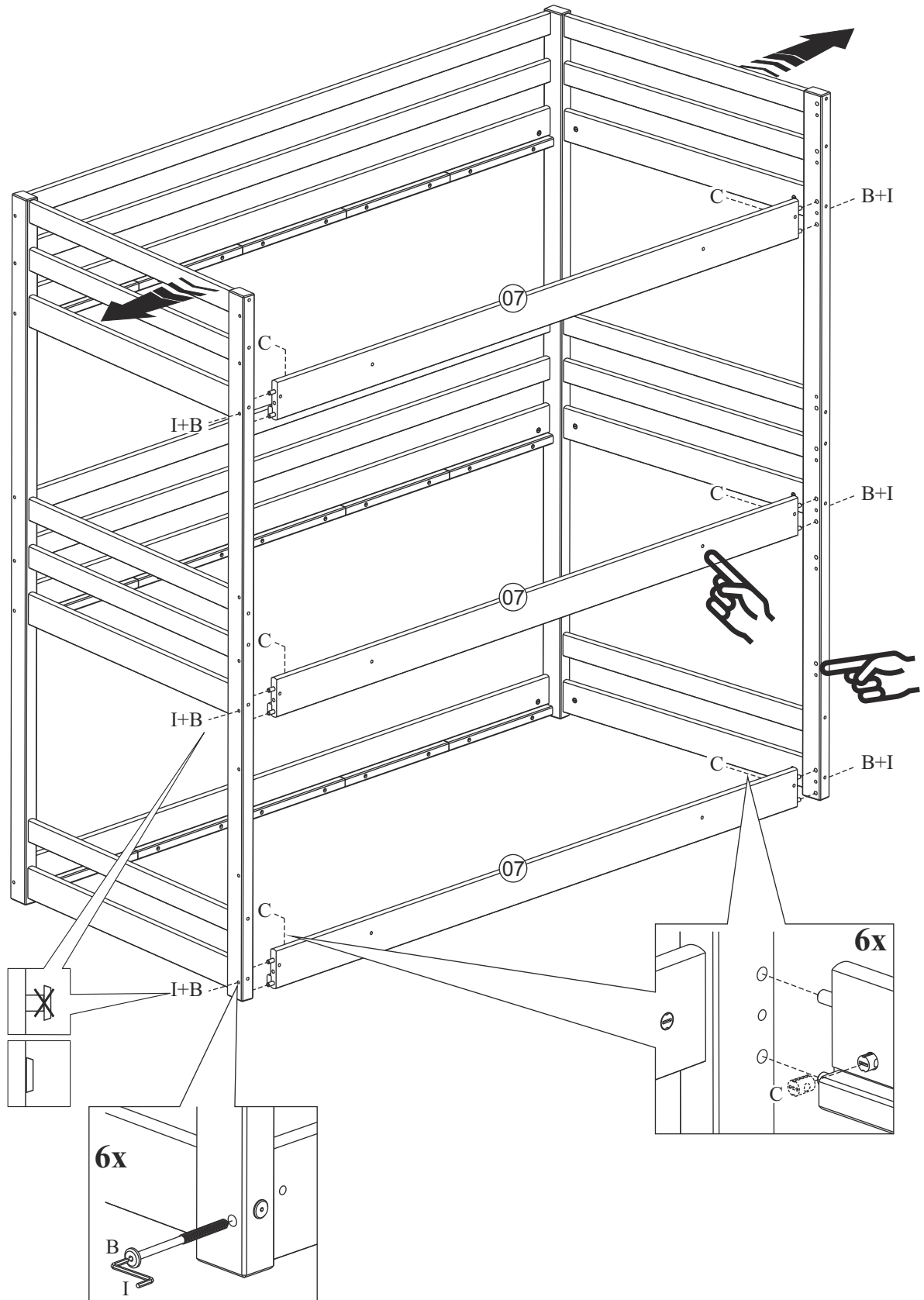
DO NOT use any power tools as this may damage the frame and will invalidate any claim



Step 4: Attach the back side rails (6) on the headboards using hardware parts B, C, and I.
Attach guard-rails (3) on the headboards using hardware parts E, and I.
DO NOT use any power tools as this may damage the frame and will invalidate any claim

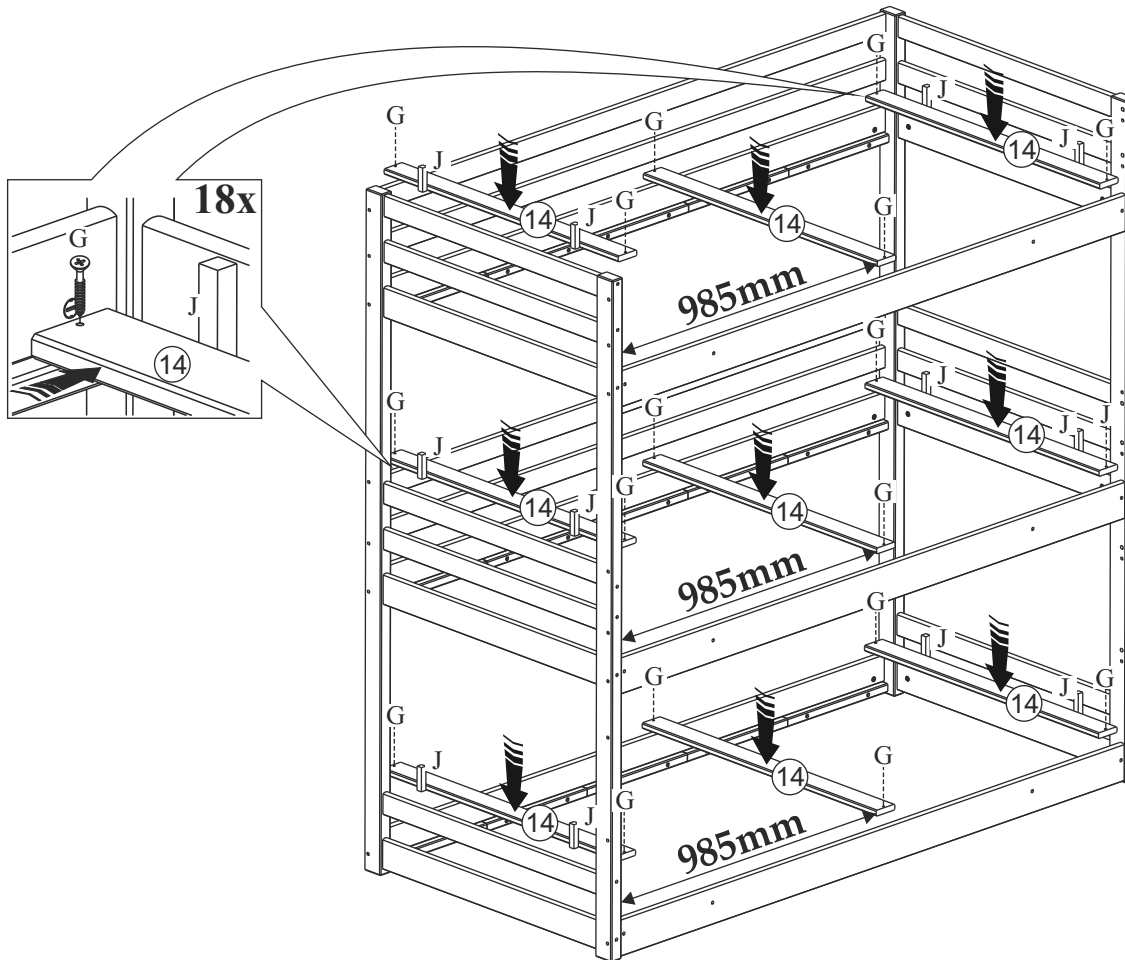


Step 5: Attach the front side rails (7) on the headboards using hardware parts B, C, and I.
DO NOT use any power tools as this may damage the frame and will invalidate any claim



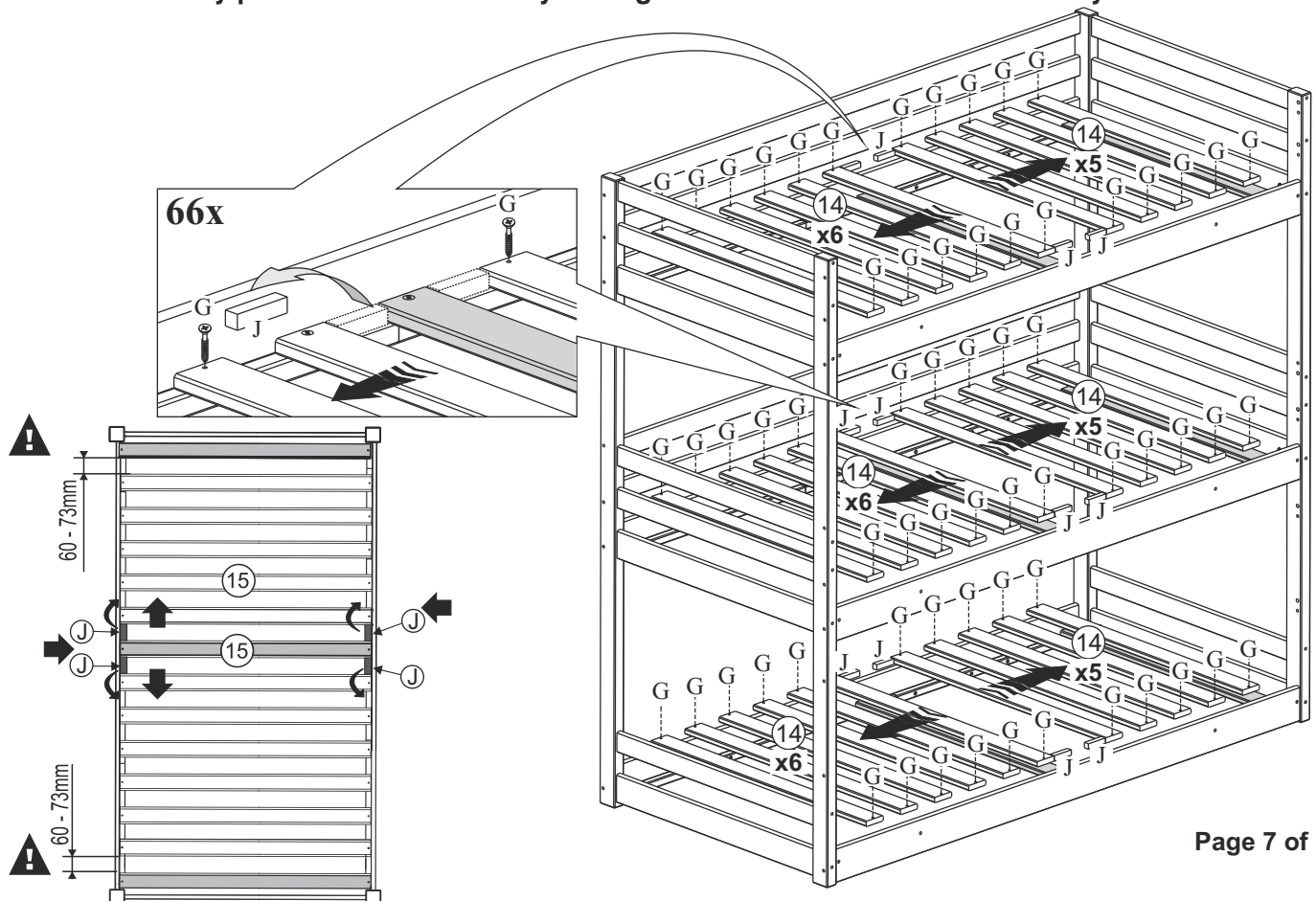
Step 6: Fix the slats (14)9x with screws G and spacer J.

DO NOT use any power tools as this may damage the frame and will invalidate any claim



Step 7: Fix the slats (14)33x with screws G and spacer J.

DO NOT use any power tools as this may damage the frame and will invalidate any claim

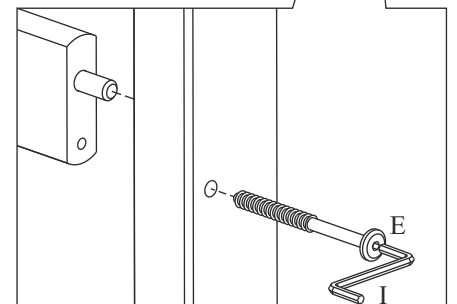
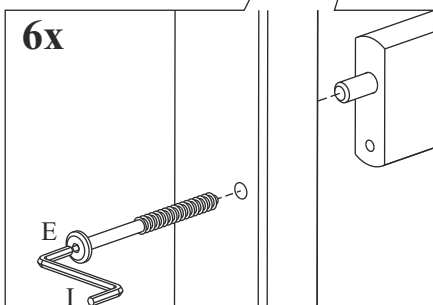
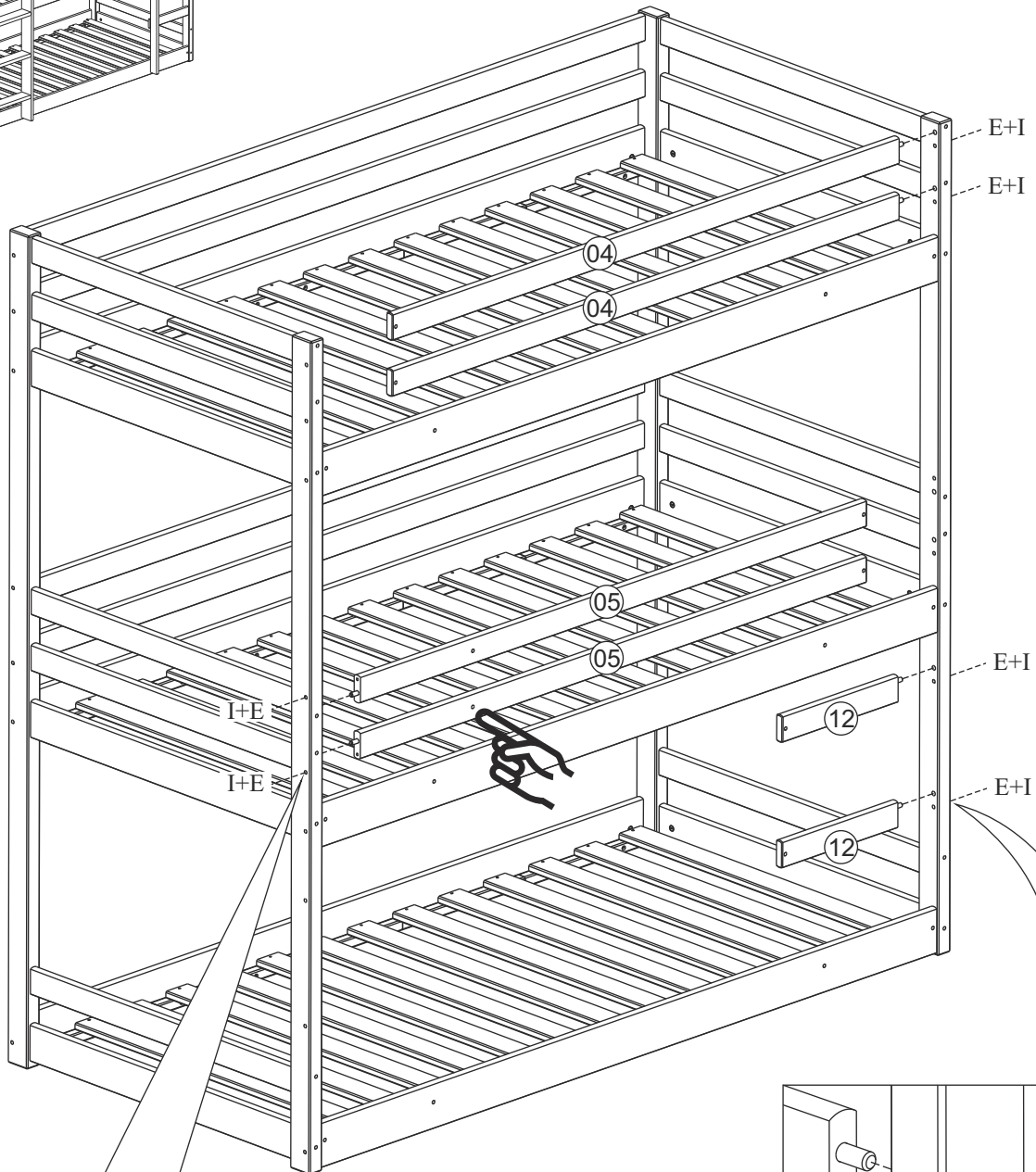
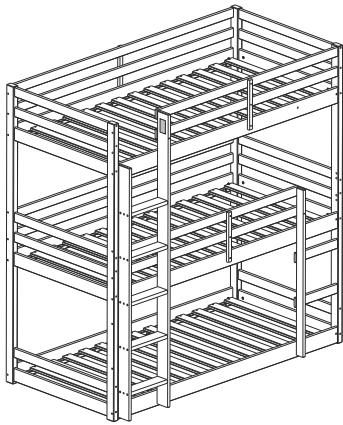


OPTIONS 1

Step 8: Fix the steps (12)2x with screws E and I.

Fix the parts (4), (5) with screws E and I.

DO NOT use any power tools as this may damage the frame and will invalidate any claim

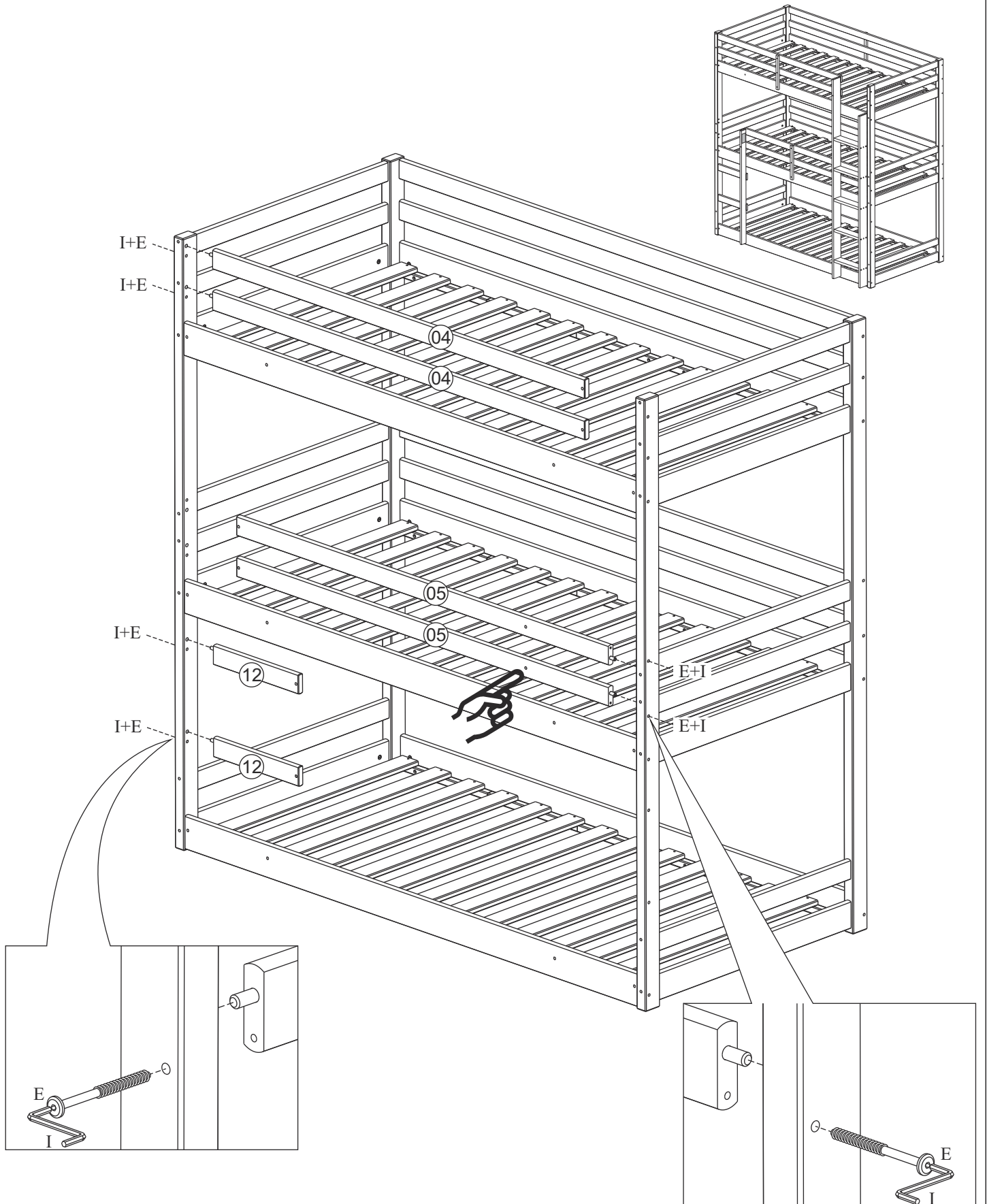


OPTIONS 2

Step 9: Fix the steps (12)2x with screws E and I.

Fix the parts (4), (5) with screws E and I.

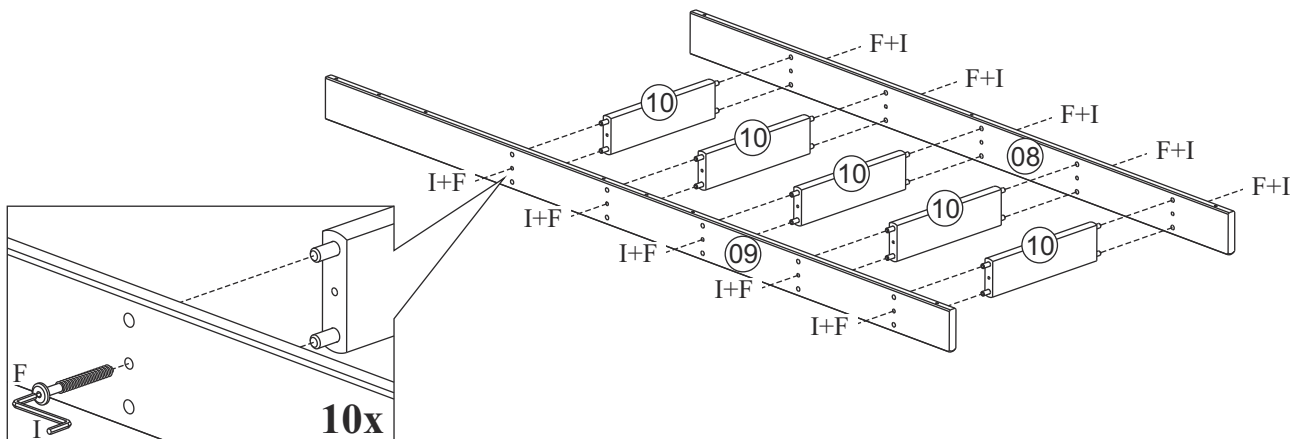
DO NOT use any power tools as this may damage the frame and will invalidate any claim



OPTIONS 1

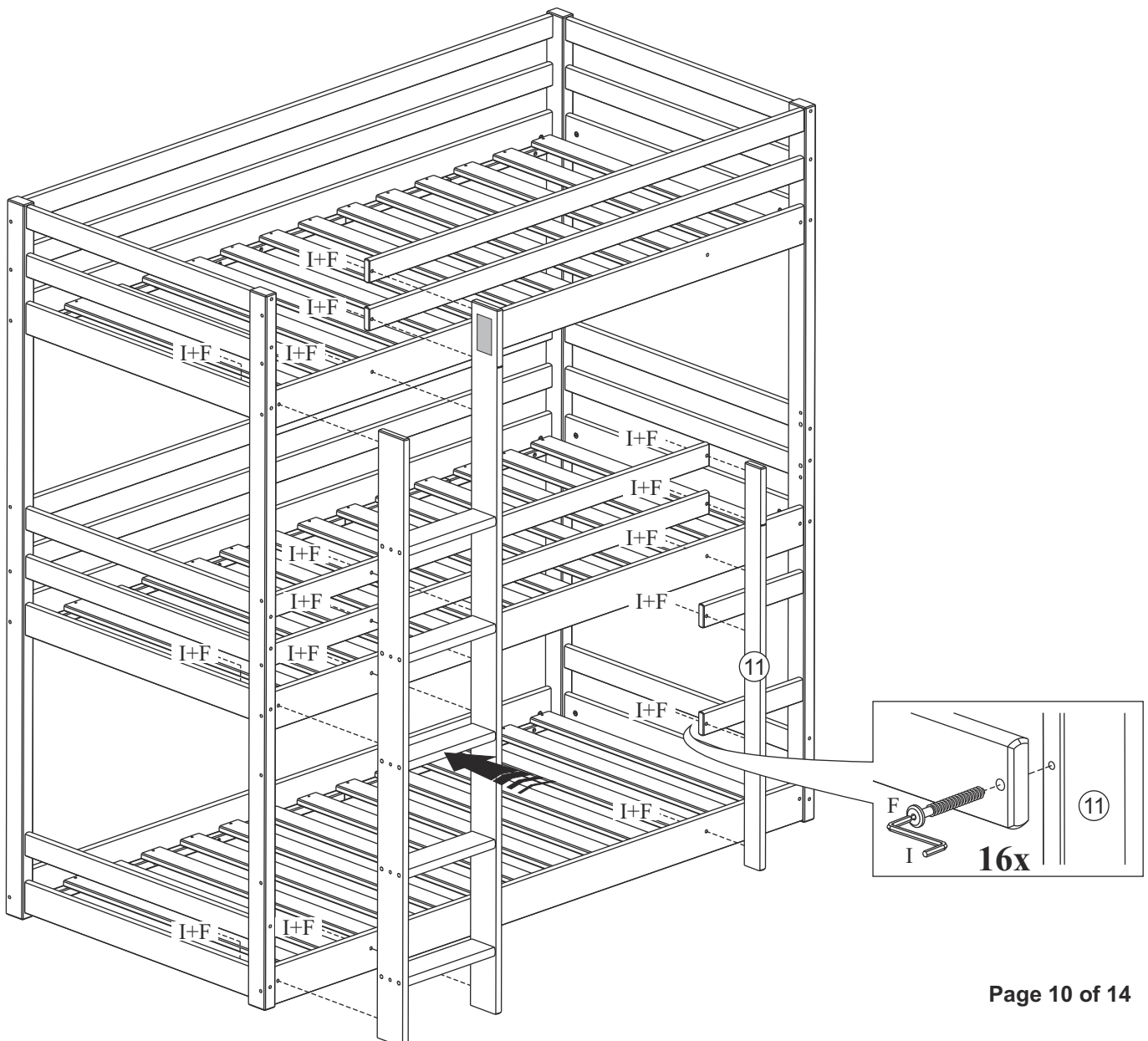
Step 10: Attach the parts (10) to the smaller side of the ladder (8) and to the larger side of the ladder (9) and secure with screws F and I.

DO NOT use any power tools as this may damage the frame and will invalidate any claim

**OPTIONS 1**

Step 11: Fix the parts (11) and escada montada with screws F and I.

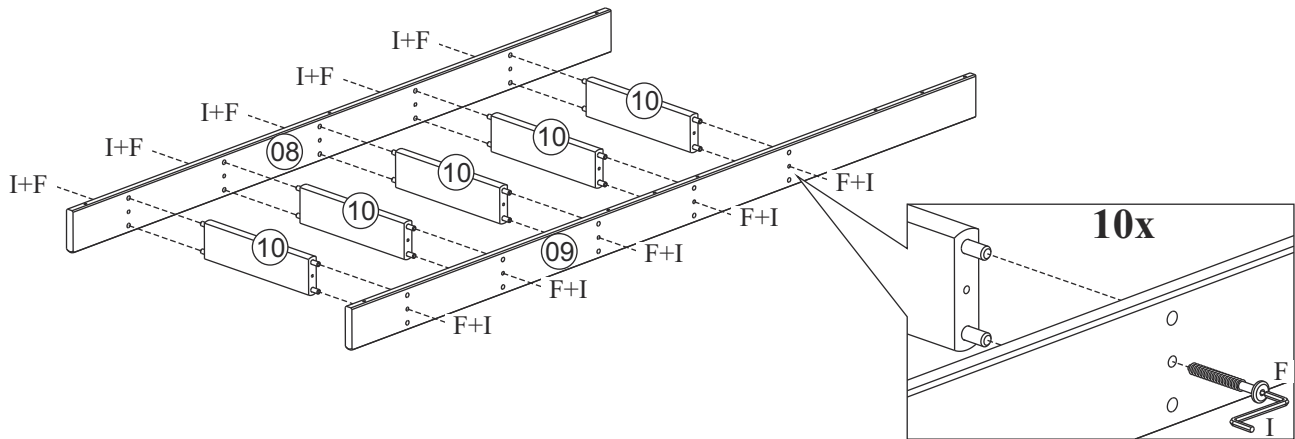
DO NOT use any power tools as this may damage the frame and will invalidate any claim



OPTIONS 2

Step 12: Attach the parts (10) to the smaller side of the ladder (8) and to the larger side of the ladder (9) and secure with screws F and I.

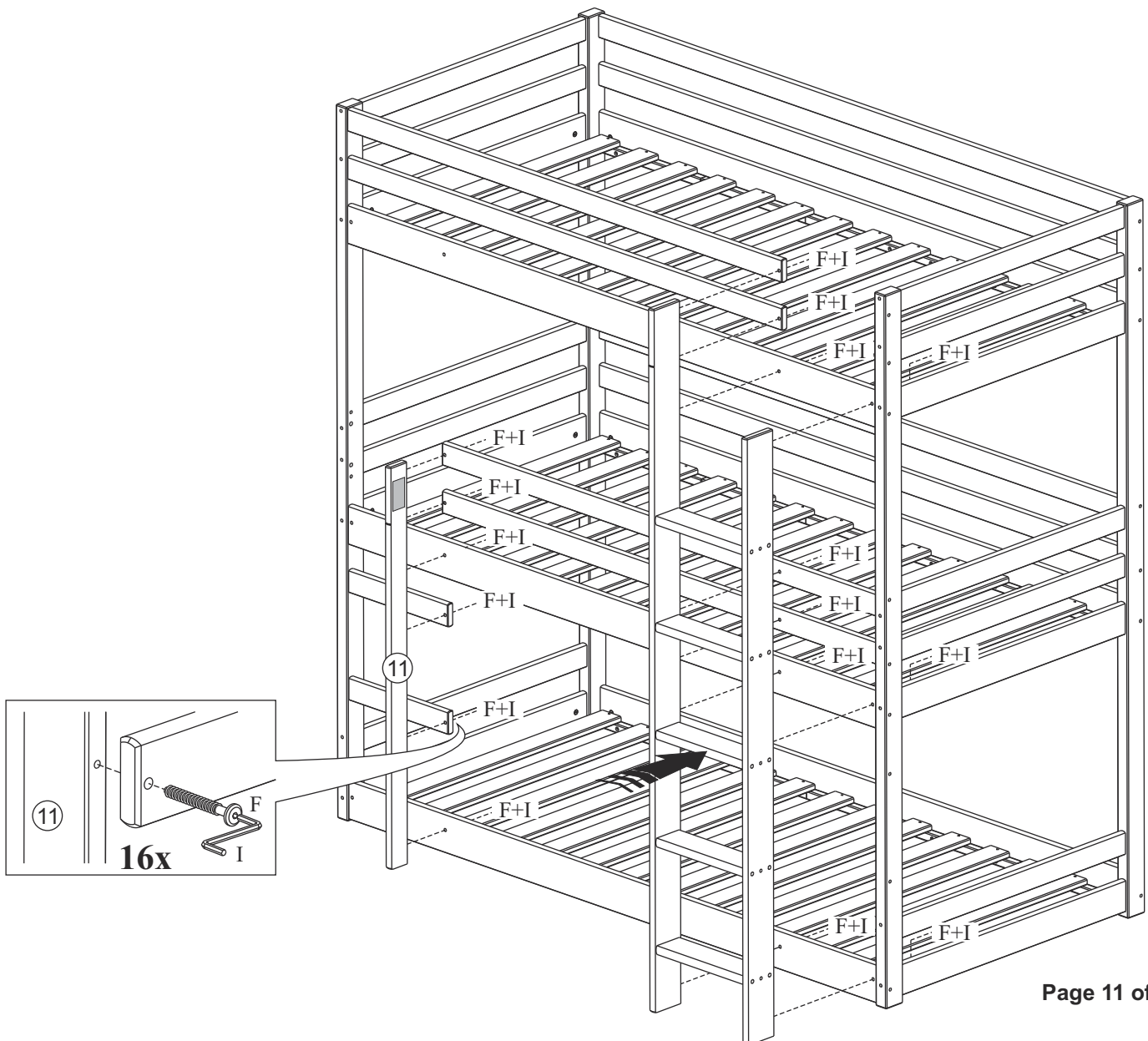
DO NOT use any power tools as this may damage the frame and will invalidate any claim



OPTIONS 2

Step 13: Fix the parts (11) and escada montada with screws F and I.

DO NOT use any power tools as this may damage the frame and will invalidate any claim

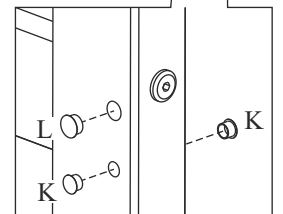
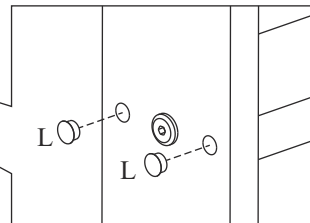
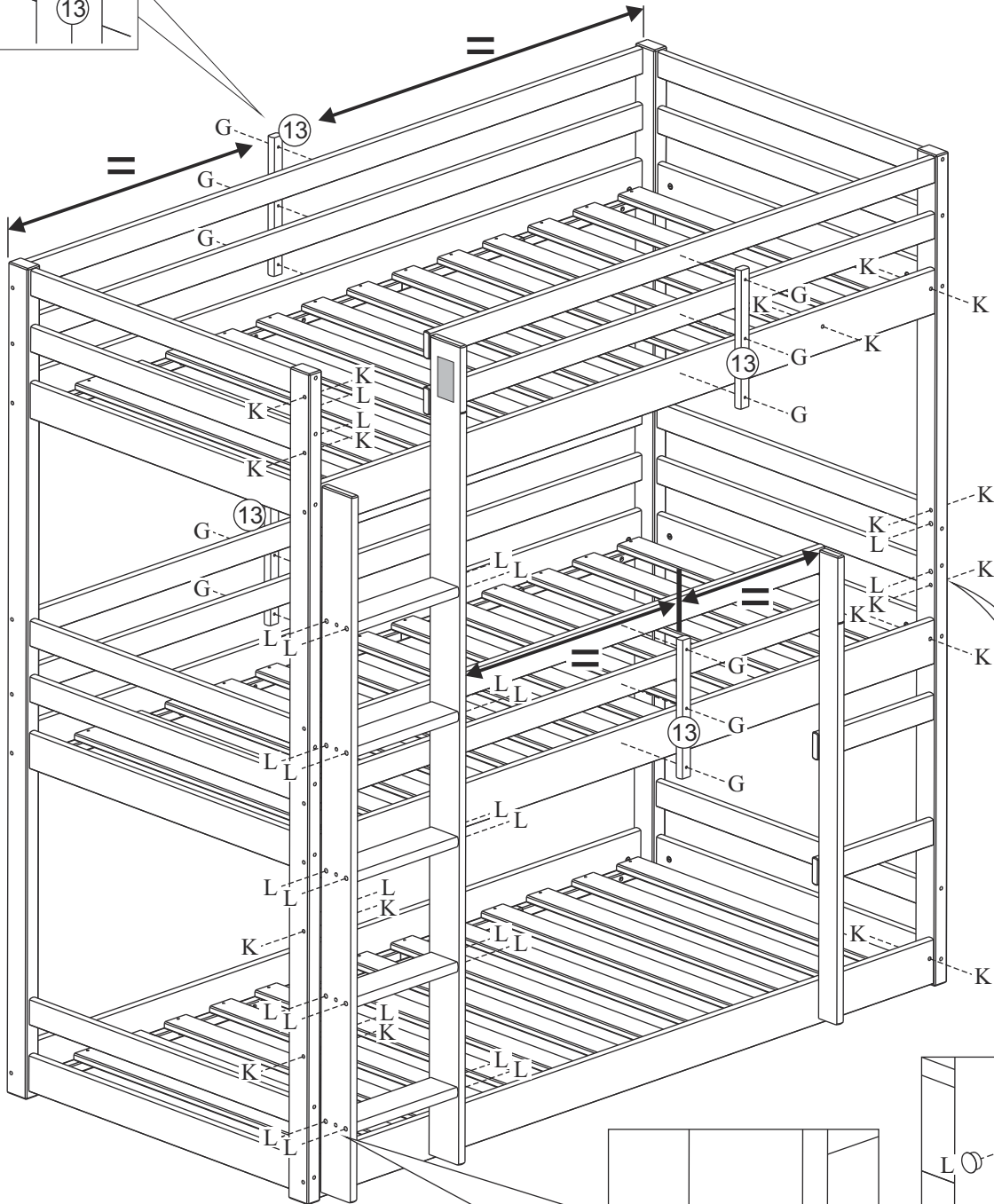
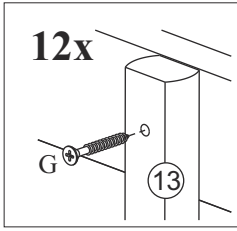


OPTIONS 1

Vendor: S000159

Step 14: Fix the parts (13)4x with screws G.
Use the K and L hole covers to close the extra holes.

DO NOT use any power tools as this may damage the frame and will invalidate any claim



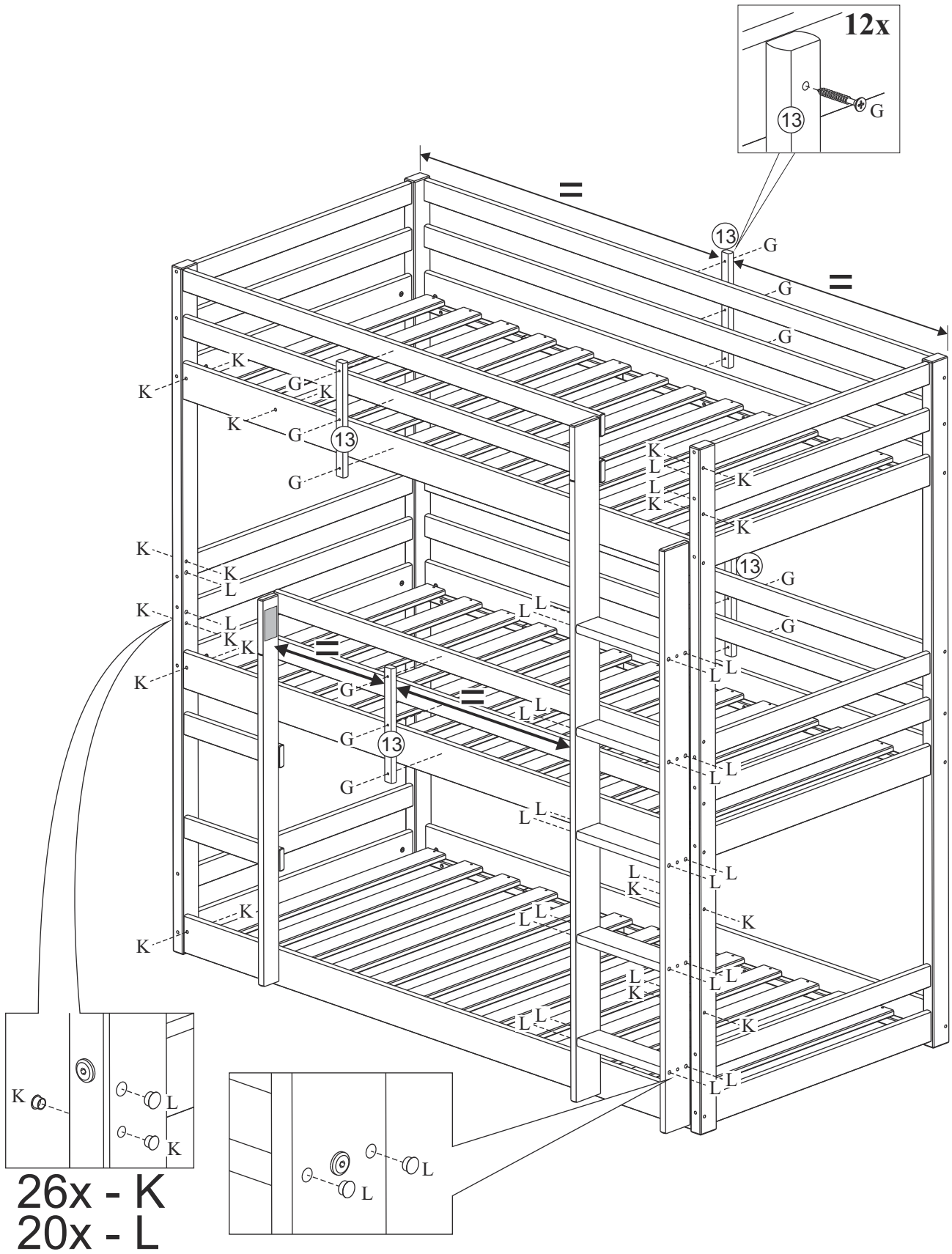
26x - K
20x - L

OPTIONS 2

Vendor: S000159

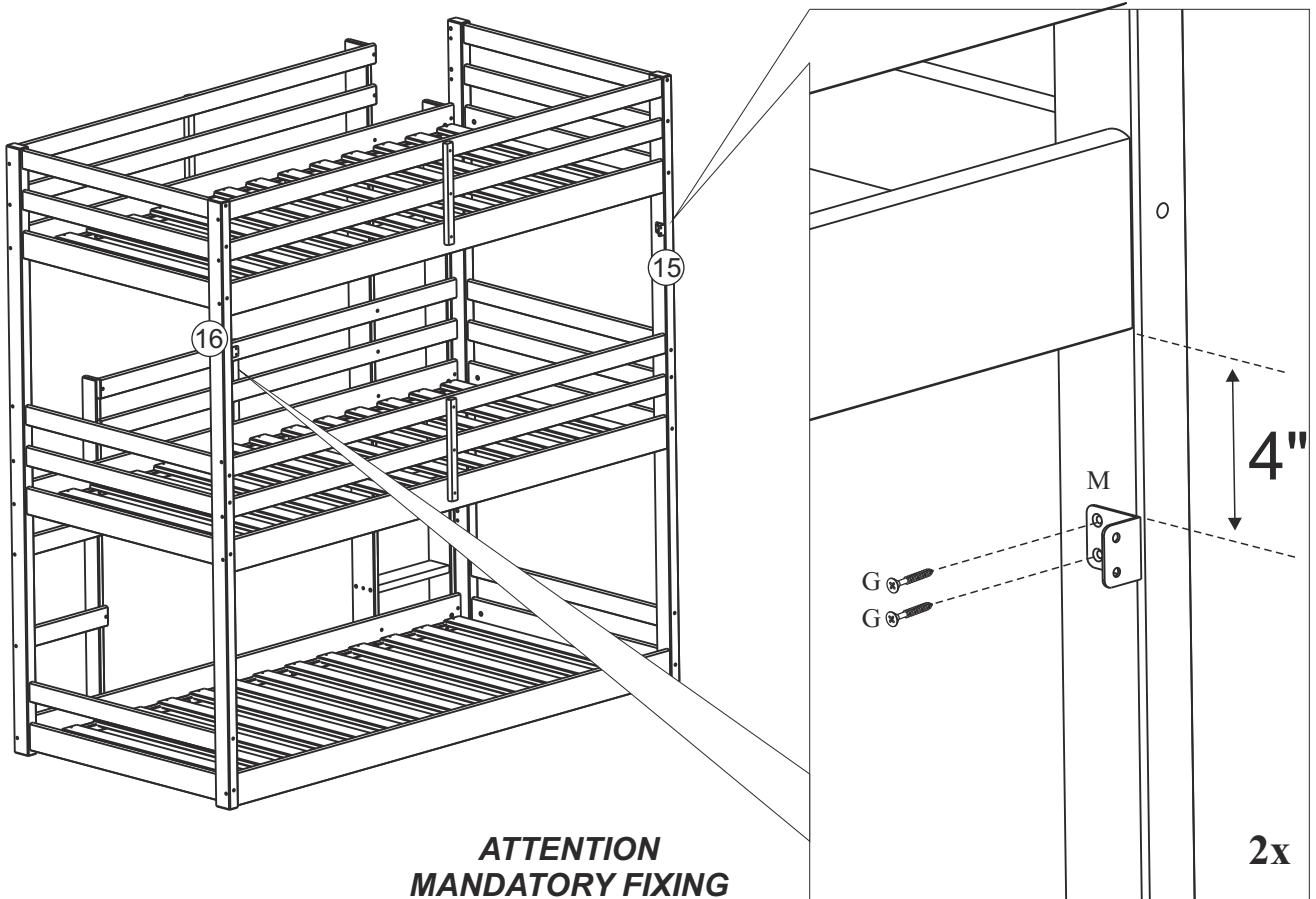
Step 15: Fix the parts (13)4x with screws G.
Use the K and L hole covers to close the extra holes.

DO NOT use any power tools as this may damage the frame and will invalidate any claim

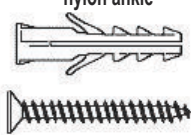
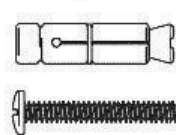
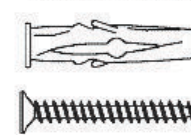
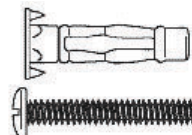
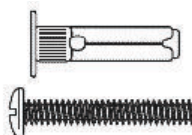
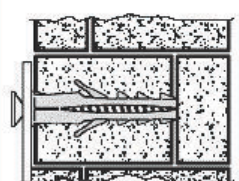
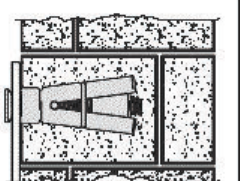
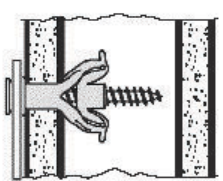
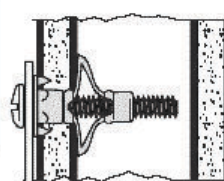
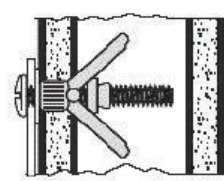



For complete product information, images and dimension diagrams please visit www.birlea.com

Step 16: Attach the parts 15 and 16 and secure with screws G and hardware M.



There is a wide variety of types of walls or partitions, which is why we cannot provide you with the exact type of fixing. It is necessary to identify the type of wall to which you are going to attach this product in order to obtain the appropriate fasteners. Here are some examples of fixations recommended for:

THE SOLID WALLS		THE HOLLOW PARTITIONS		
FISCHER nylon ankle 	ANCHOR BOLT 	ANCHOR DOWEL WITH NYLON FINS 	EXPANSION METAL ANCHOR 	MOLLY ANKLE 
				



Use a drill size suitable for the hardware used and the type of wall

For complete product information, images and dimension diagrams please visit www.birlea.com