



# Birlea

Suppliers of inspiration

## Assembly Instructions

Thank you for  
purchasing a  
**Birlea** product.

For a chance to win a Love 2 Shop voucher simply post a picture of your new product on your preferred social channels tagging Birlea Furniture and using the hashtag **#ShareYourStyle** and **#Birlea**. One winner will be selected at random each month.

To view our full terms and conditions please visit [www.birlea.com](http://www.birlea.com)

### Are you happy with your purchase?

**Yes:** That's great, we would love to hear more from you. Please leave us a review on our social media channels or Trustpilot. Your feedback will be greatly appreciated.

**No:** If for any reason there is something missing, indifferent or incorrect with your order, please contact the retailer you purchased the item from. We will work with the retailer to resolve your issue as quickly as possible.



# LEONIE - Double & King

## Assembly Instructions

### Before you begin...

1. Please check in your desired room of use.
2. Unpack all boxes and lay out each component on the floor.
3. Check your product for any damage that may be immediately obvious. If damage is identified, please contact your retailer.
4. Please read through these instructions thoroughly to ensure you have constructed your bed correctly.

### For Care and Maintenance of your bed...

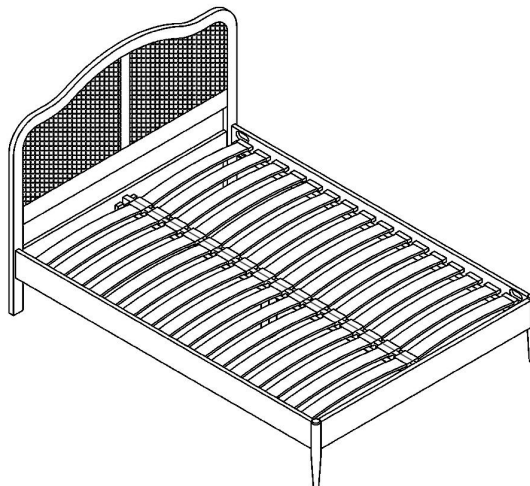
- Always assemble in your desired room of use.
- Always check all screw and fixings periodically to ensure they are still secure.
- Do not push or pull this bed as it will cause damage.
- Always lift this bed with a second person to prevent damage or injury.
- Keep any sharp objects away from this bed frame.

### For your Health and Safety...

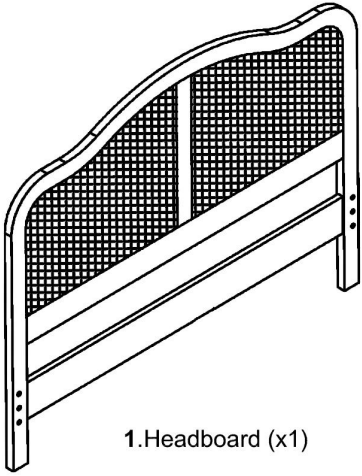
- Please don't not jump on this bed.
- Do not use this bed if you find missing, damaged or worn parts. Please contact your retailer.
- Please do not use this bed until you have fully secure all fixings.
- Please keep all small components away from children.
- Please ensure this bed is on an even, level surface.

### Also...

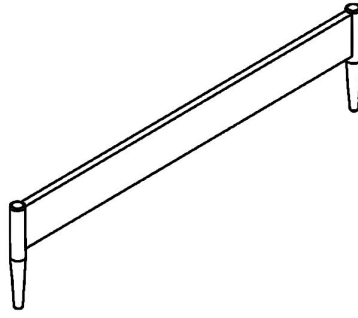
If your desired room of choice has a non-carpeted surface ensure please that you use some form of anti-slip protection and **do not** place directly on the wooden floor. This will prevent the bed from moving and therefore collapsing which will void your guarantee...



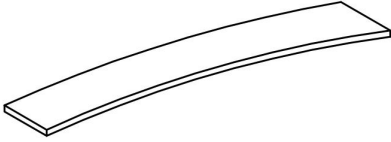
Box 1



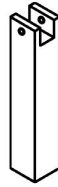
1.Headboard (x1)



2.Footboard (x1)

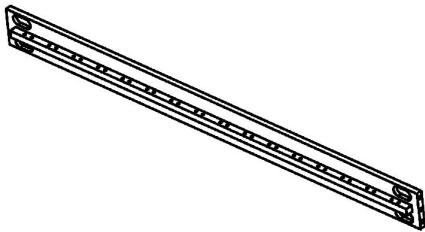


5.Slats (x34)

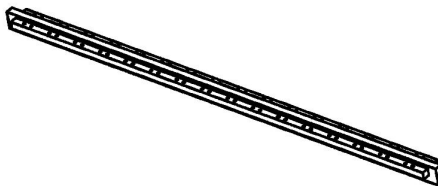


6.Support Legs (x1)

Box 2



3.Siderail (x2)

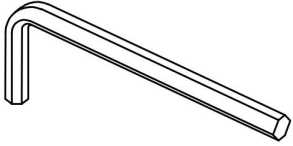


4.Centre Rail (x1)



Hardware

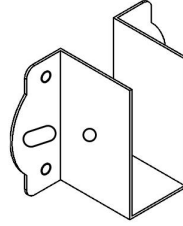
All fitting are stored within Box 1



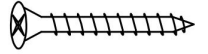
A.Allen key M4 (x1)



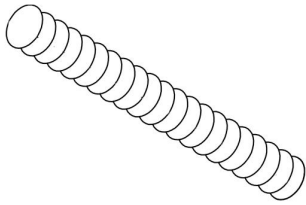
B.Spanner (x1)



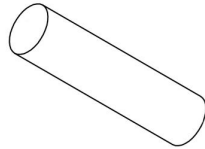
C.Hardware Bed Support (x2)



D.M3.5X20mm (x14)



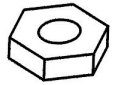
E.M8x80mm (x8)



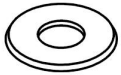
F.10x50mm (x4)



G.Half Moon (x8)



H.M8x16 (x8)



I.M8x16mm (x8)



J.M8x12mm (x8)



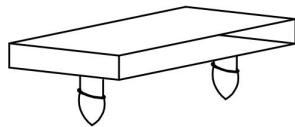
K. M6x20mm (x2)



L. M6x12mm (x2)



M.M6x10mm (x2)



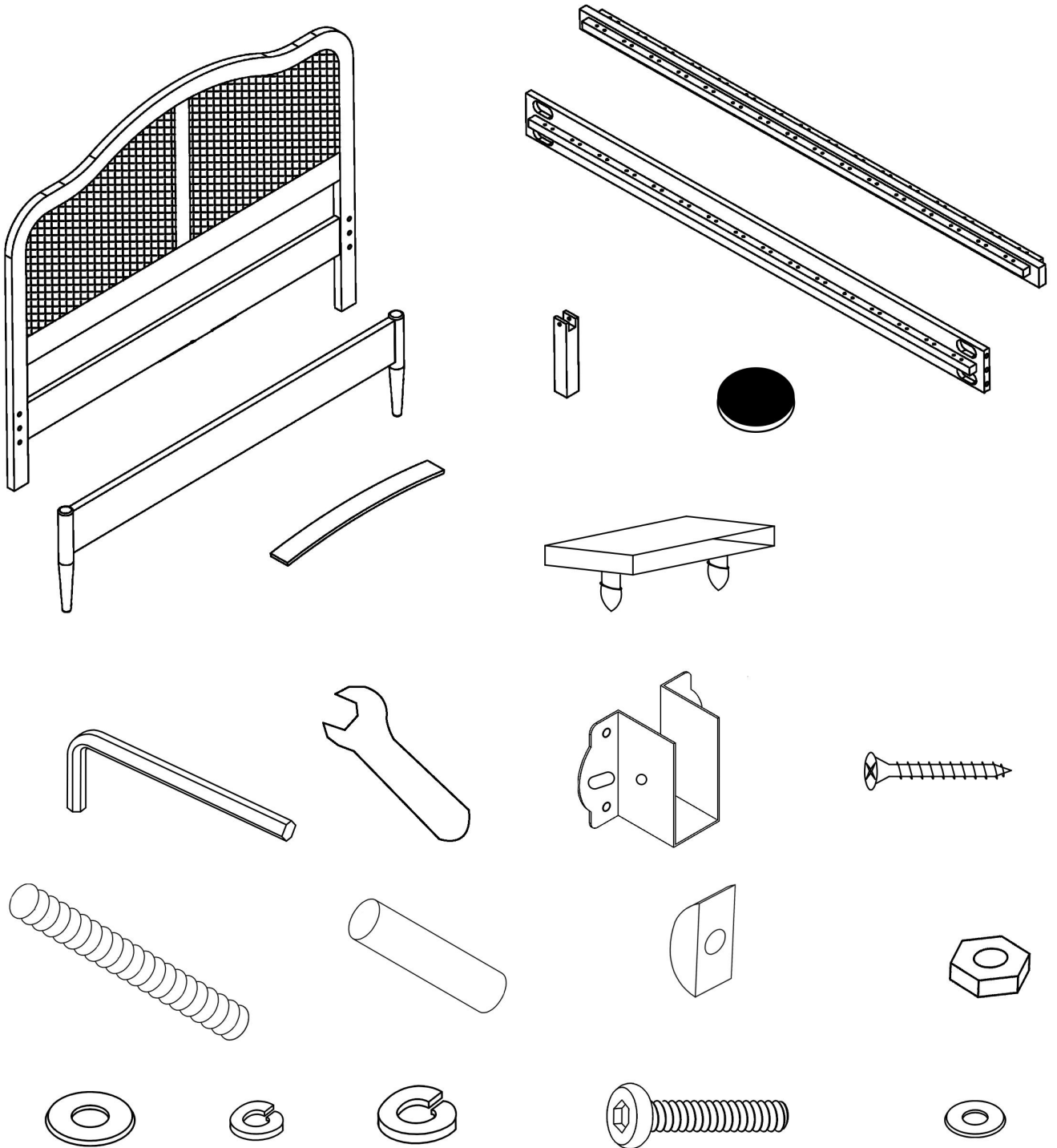
N.Single Slat Cap (x68)



P. Ø 20mm (x4)

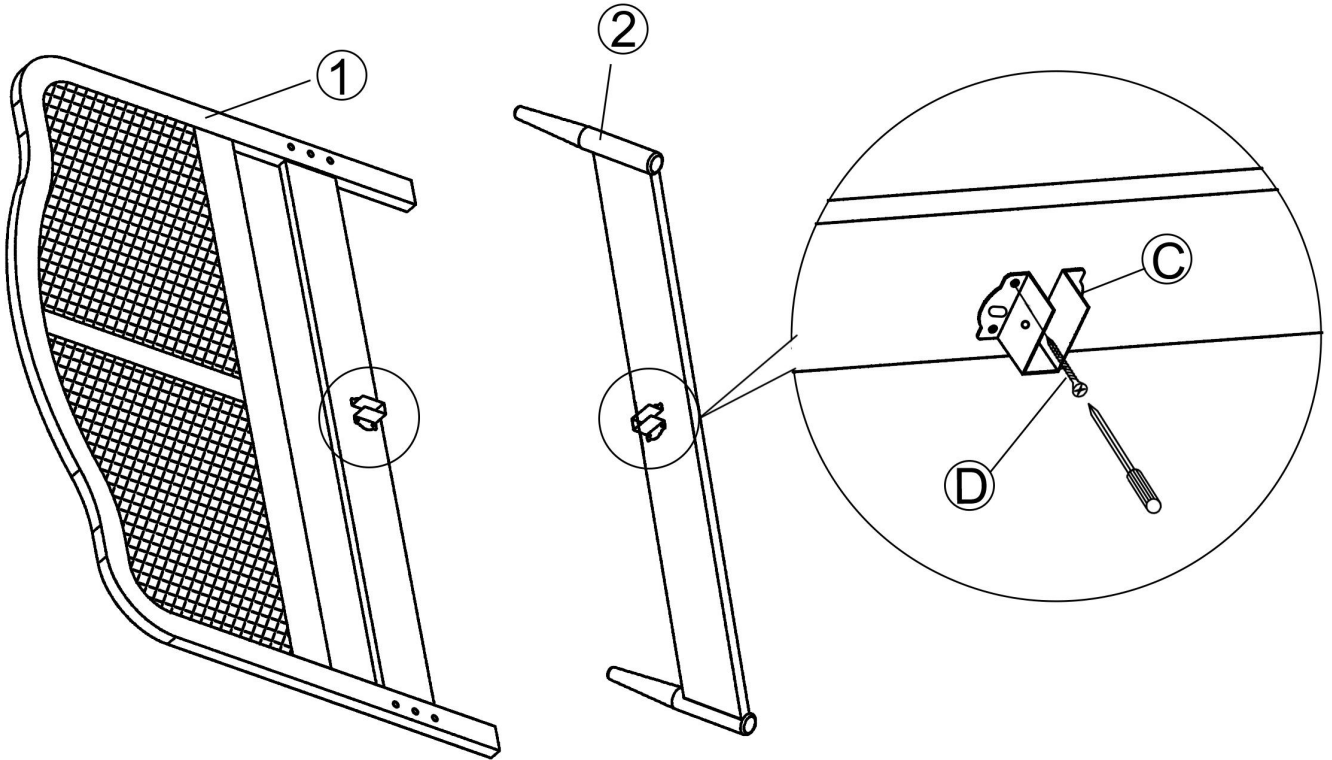
# Step 1

Unpack all components from the boxes and check you are not missing anything. Please check these against the list on page 3 & 4 and should you identify any missing components, please contact the retailer you purchased the bed from.



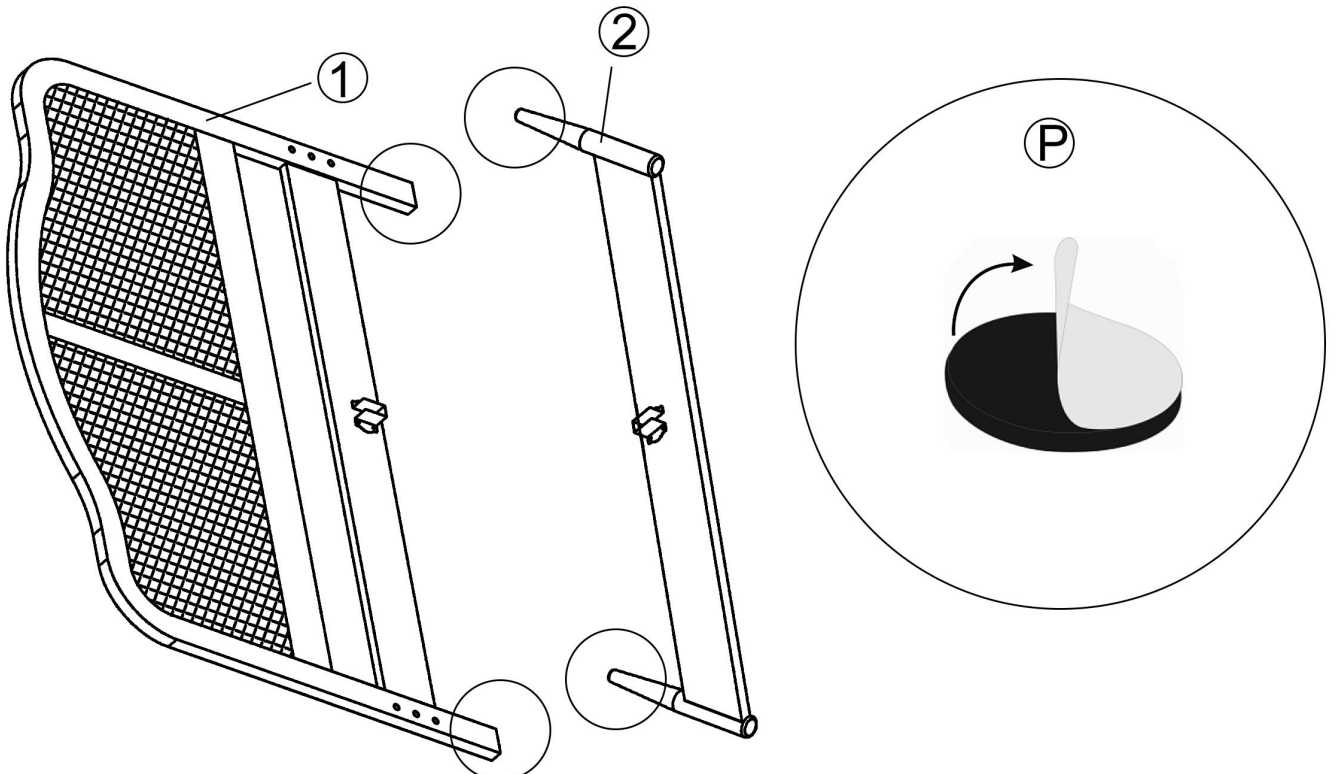
## Step 2

Attach the 2 x Hardware Bed Support (C) to the 1 x Headboard (1) and 1 x Footboard (2)  
Then screw using 12 x M3.5 x 20mm (D) and Screwdriver (Not Provided)



## Step 3

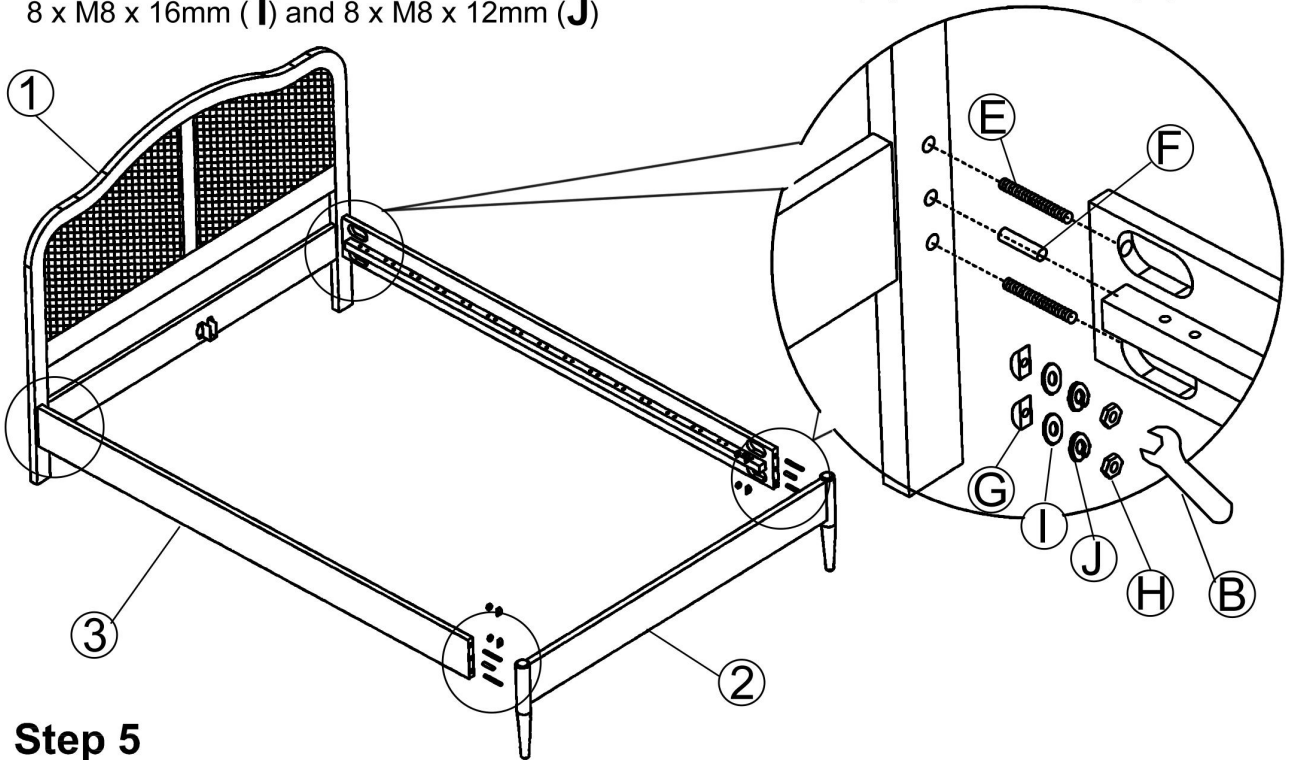
Glue 4 x Felt Pad  $\phi$  20mm (P) to the 1 x Headboard (1) and 1 x Footboard (2)



**DO NOT use any power tools as this may damage the frame and will invalidate any claim.**

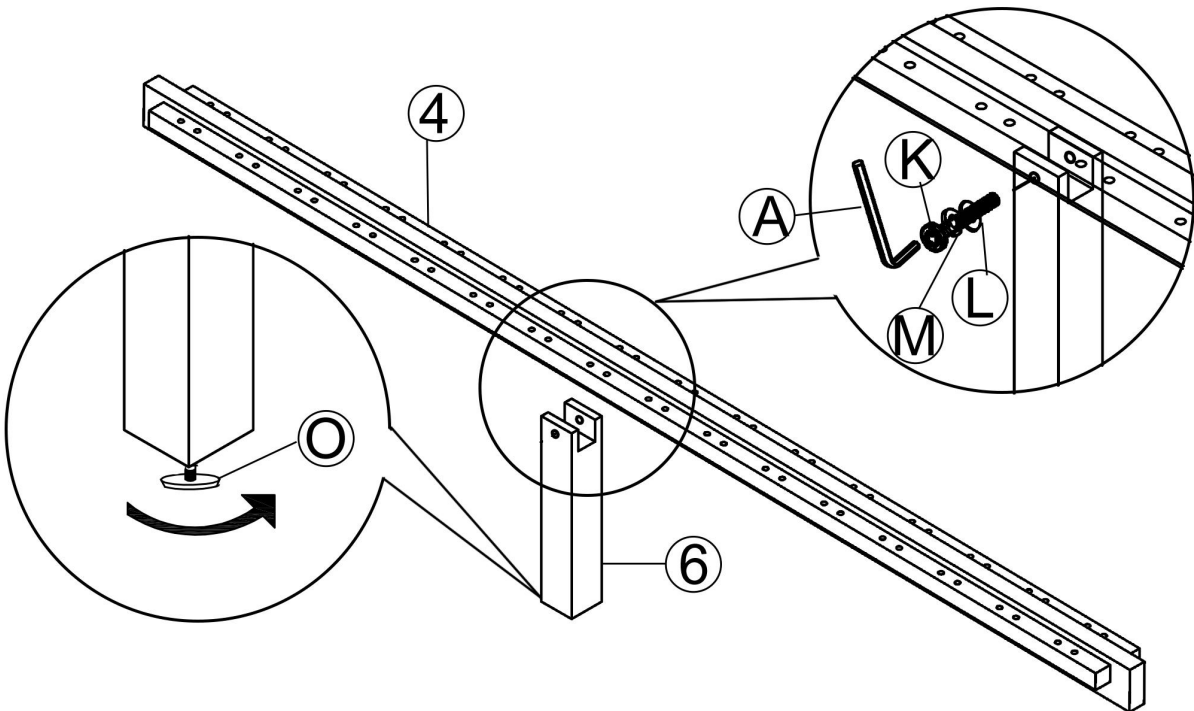
## Step 4

Secure 2 x Side Rail (3) to 1 x Headboard (1) and 1 x Footboard (2) using 1 x Spanner (B) and 8 x M8 x 80mm (E) and 4 x 10 x 50mm (F) and 8 x Half Moon (G) and 8 x M8 x 16 (H) and 8 x M8 x 16mm (I) and 8 x M8 x 12mm (J)



## Step 5

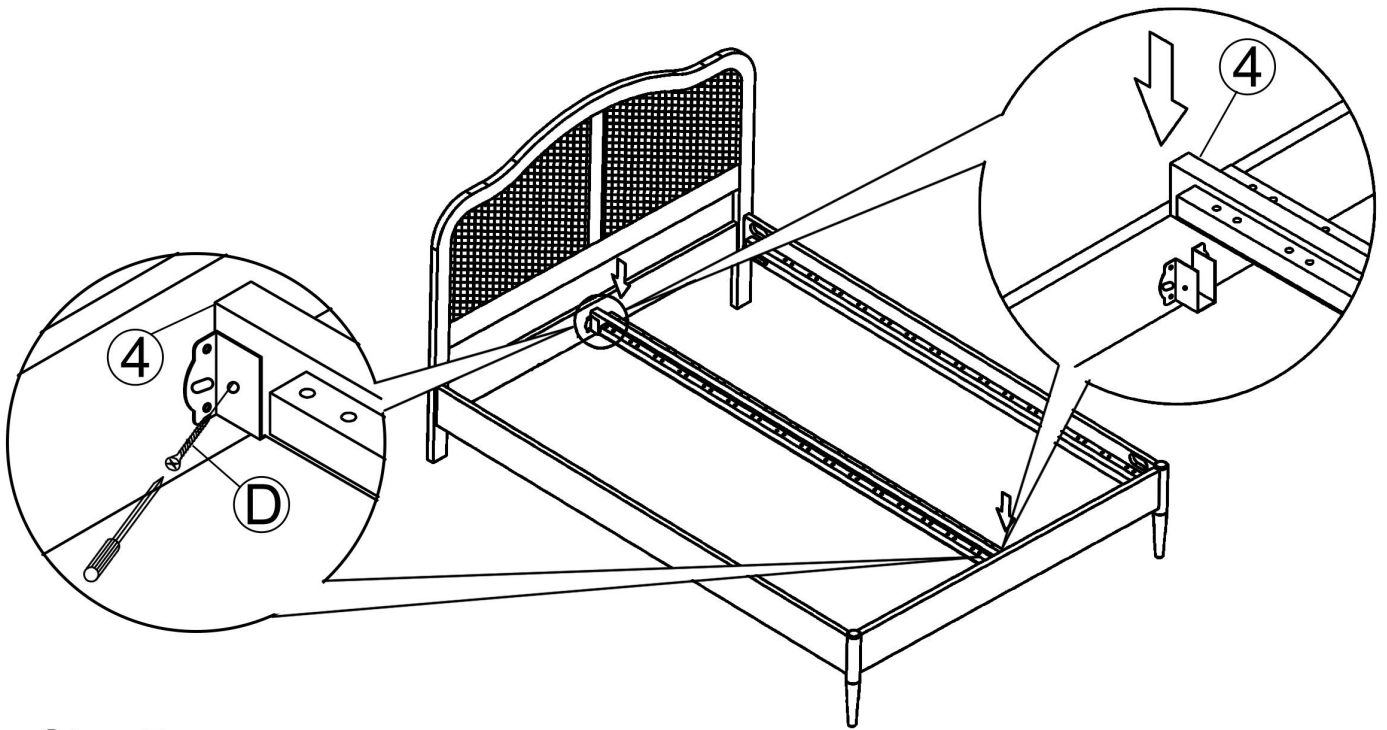
Attach the 1 x Support Leg (6) to 1 x Centre Rail (4) using 2 x M6 x 20mm (K) and 2 x M6 x 10mm (M) and 2 x M6 x 12mm (L) 1 x Allen Key M4 (A). Then, screw 1 x Adjuster (O) to Support Leg (6)



**DO NOT** use any power tools as this may damage the frame and will invalidate any claim.

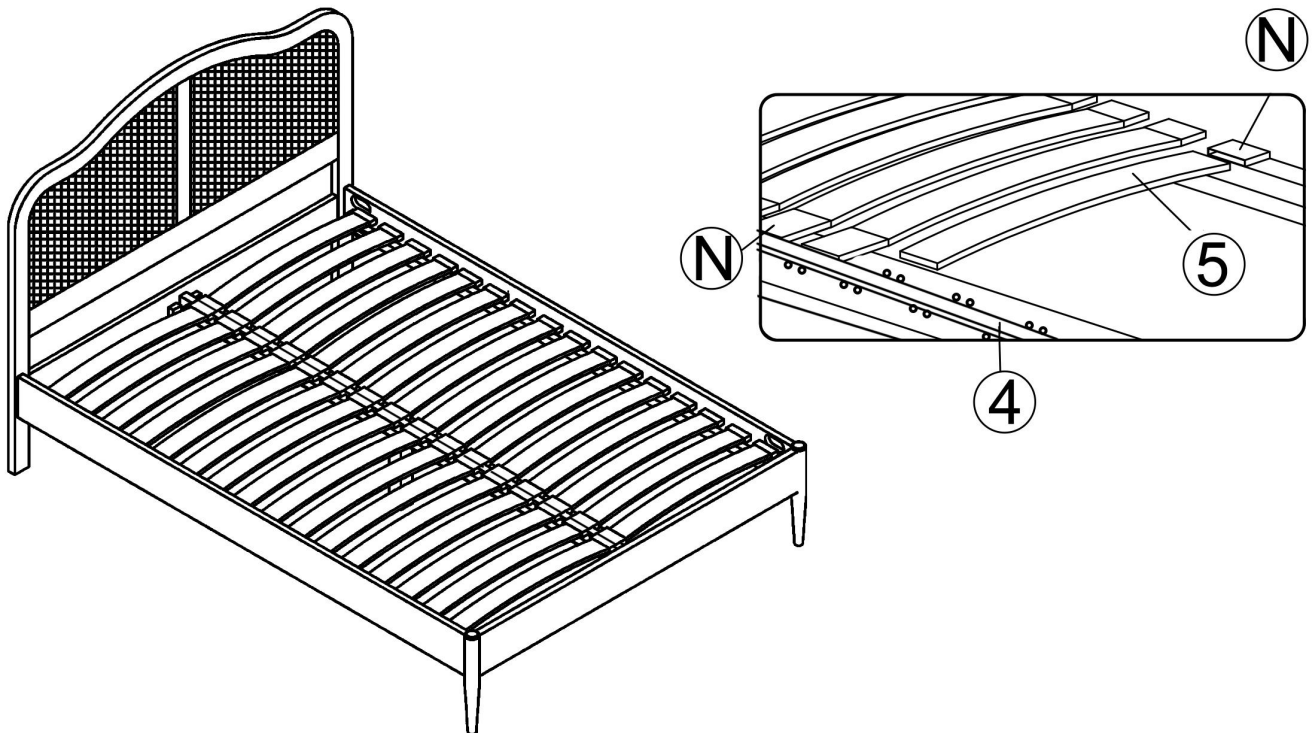
## Step 6

Firstly, slot the 1 x centre rail (4) to the bracket on 1 x Headboard (1) and 1 x Footboard (2). Then secure using 2 x M3.5 x 20mm (D) and Screwdriver (Not Provided).



## Step 7

Slot the 34 x Slats (5) to the bracket on 68 x Single Slat Cap (N).



**DO NOT** use any power tools as this may damage the frame and will invalidate any claim.