

FARRINGDON 5' 4 POSTER BED

IMPORTANT: READ THESE INSTRUCTIONS CAREFULLY BEFORE ASSEMBLING OR USING YOUR FARRINGDON 5' 4 POSTER BED.

PLEASE KEEP THESE INSTRUCTIONS FOR FUTURE REFERENCE.

HEALTH & SAFETY :

DO NOT climb on this bed frame.

DO NOT hang on this bed frame.

DO NOT jump on this bed frame.

DO NOT use this bed frame if any parts are missing, damaged or worn.

DO NOT use this bed frame unless all fixings are secured.

Please keep small parts out of reach of children.

Always use on a level, even surface.

WARNING: If this bed is placed on a non-carpeted floor you must place some protection under all legs to stop the bed frame from moving. If this is not adhered to there is no guarantee if the bed frame collapses.

CARE & MAINTENANCE:

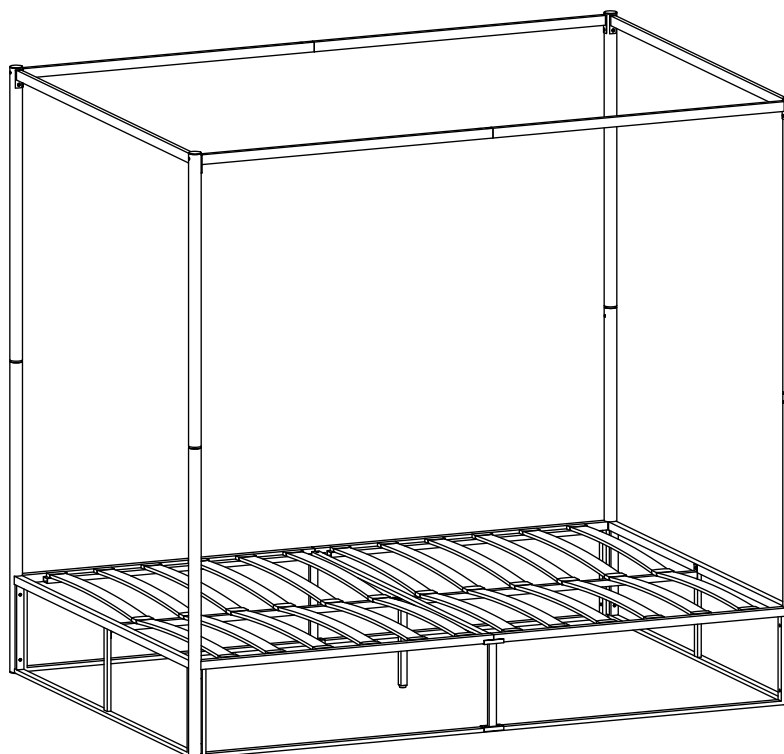
Assemble in the room of use.

Periodically check all screws & fixings to ensure they are secure.

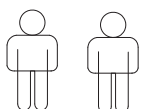
DO NOT push the bed frame as this will damage the legs.

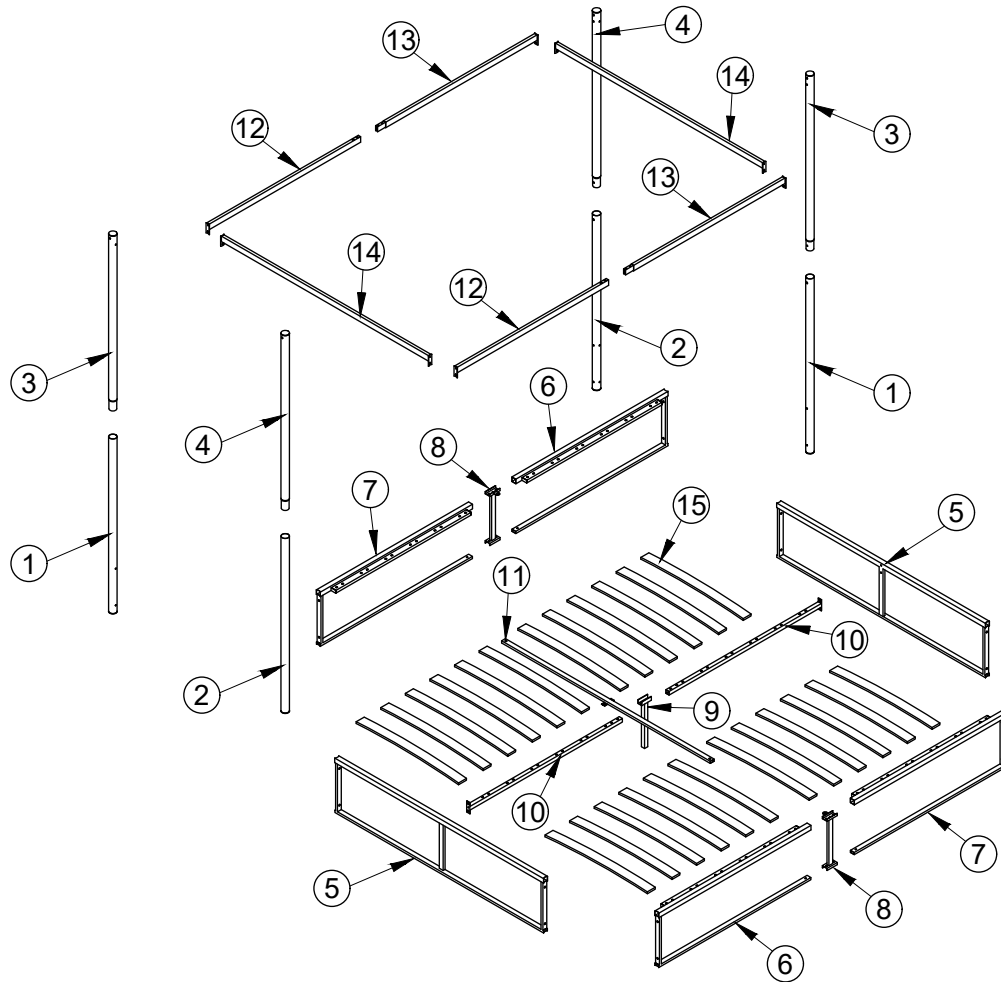
Always lift the bed with two people to reposition.












Keep any sharp objects away from the frame.



2 PERSONS



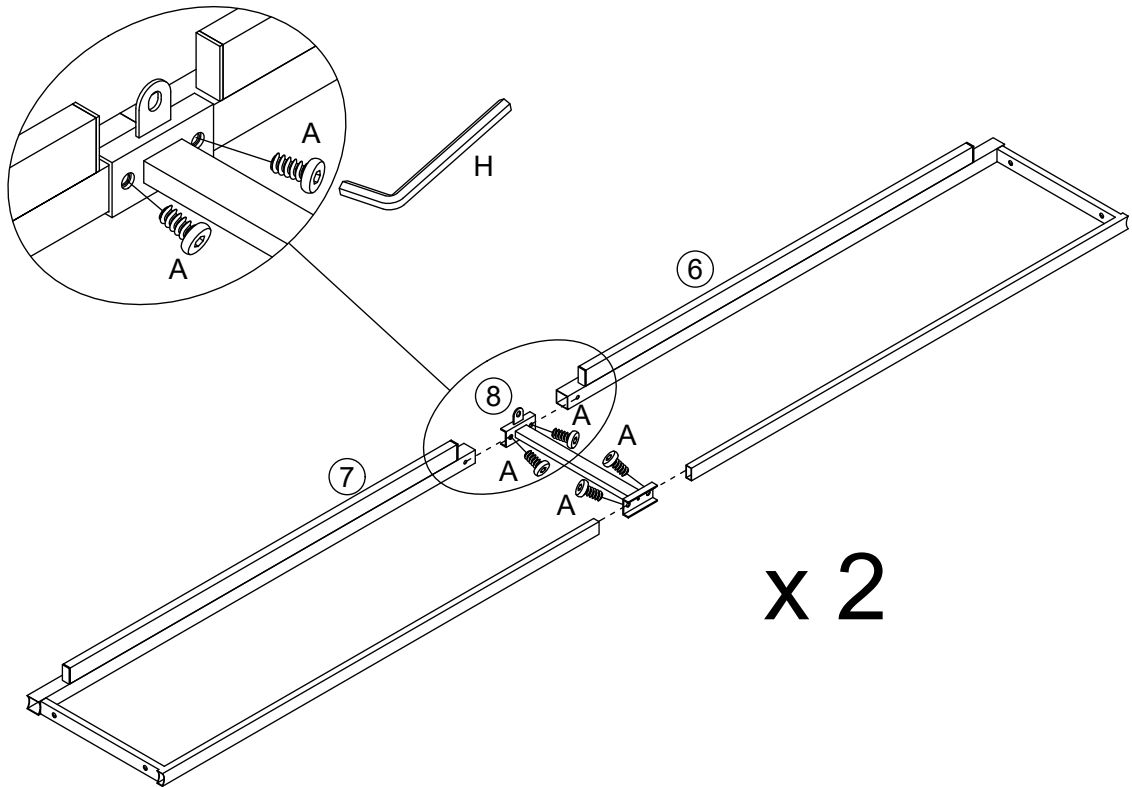


PART LIST				HARDWARE LIST		
PART	DESCRIPTION	BOX	QTY	PART	DESCRIPTION (FOUND IN BOX 1)	QTY
1	Lower Leg	1	2	A	M6 x 12mm Screw 	28
2	Lower Leg	1	2	B	M6 x 25mm Screw 	18
3	Upper Leg	1	2	C	M6 x 35mm Screw 	2
4	Upper Leg	1	2	D	M6 x 50mm Screw 	4
5	Headend	1	2	E	M6 Nut 	4
6	Side Support	1	2	F	Padding 	8
7	Side Support	1	2	G	Ø22xM6x15mm 	1
8	Side Leg	1	2	H	M4 	1
9	Base Leg	1	1	I	60x25mm 	1
10	Mid Support	1	2	J	Single Slat Cap 	24
11	Side Frame	1	1	K	Double Slat Cap 	12
12	Upper Side Support	1	2			
13	Upper Side Support	1	2			
14	Upper Side Support	1	2			
15	Slat	1	24			

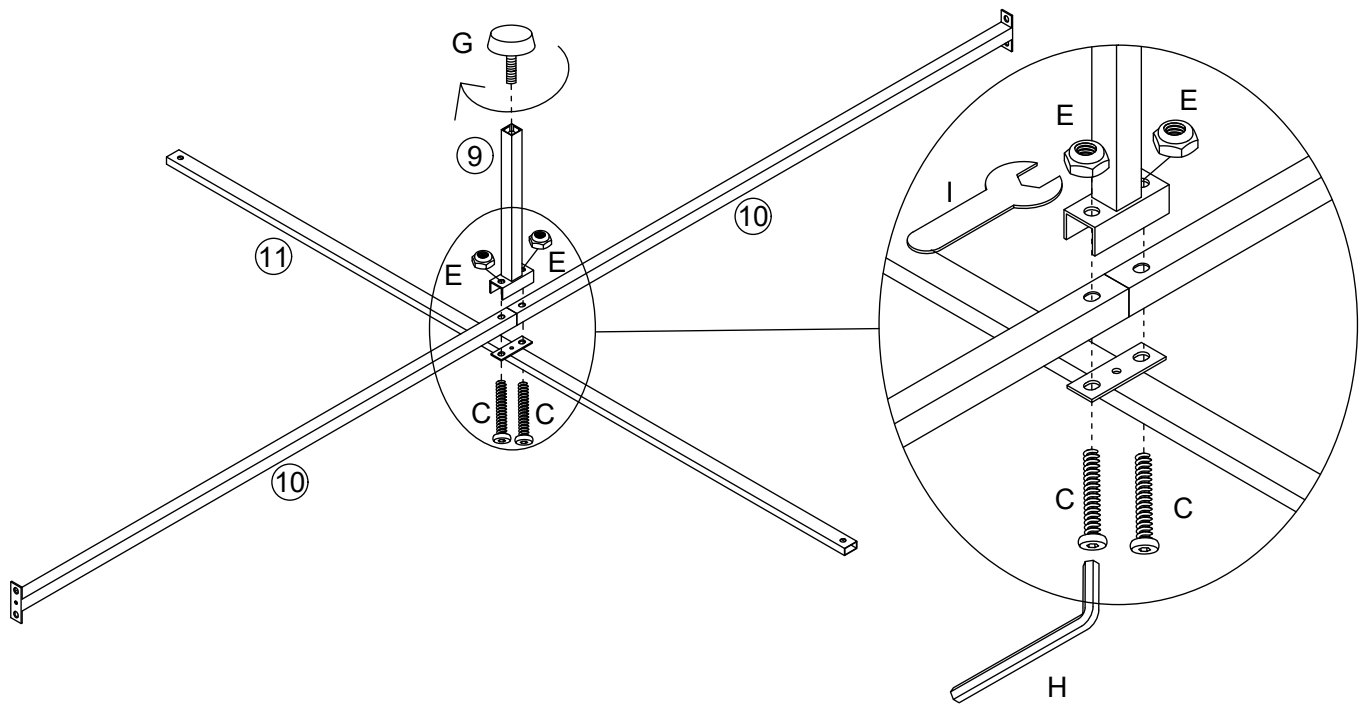
IMPORTANT: DO NOT SCREW UP THE RACK TIGHTLY UNTIL ALL PARTS ARE WELL SET WITH PROPER HARDWARES IN PLACE !!!

Step 1:

Vendor: S000053

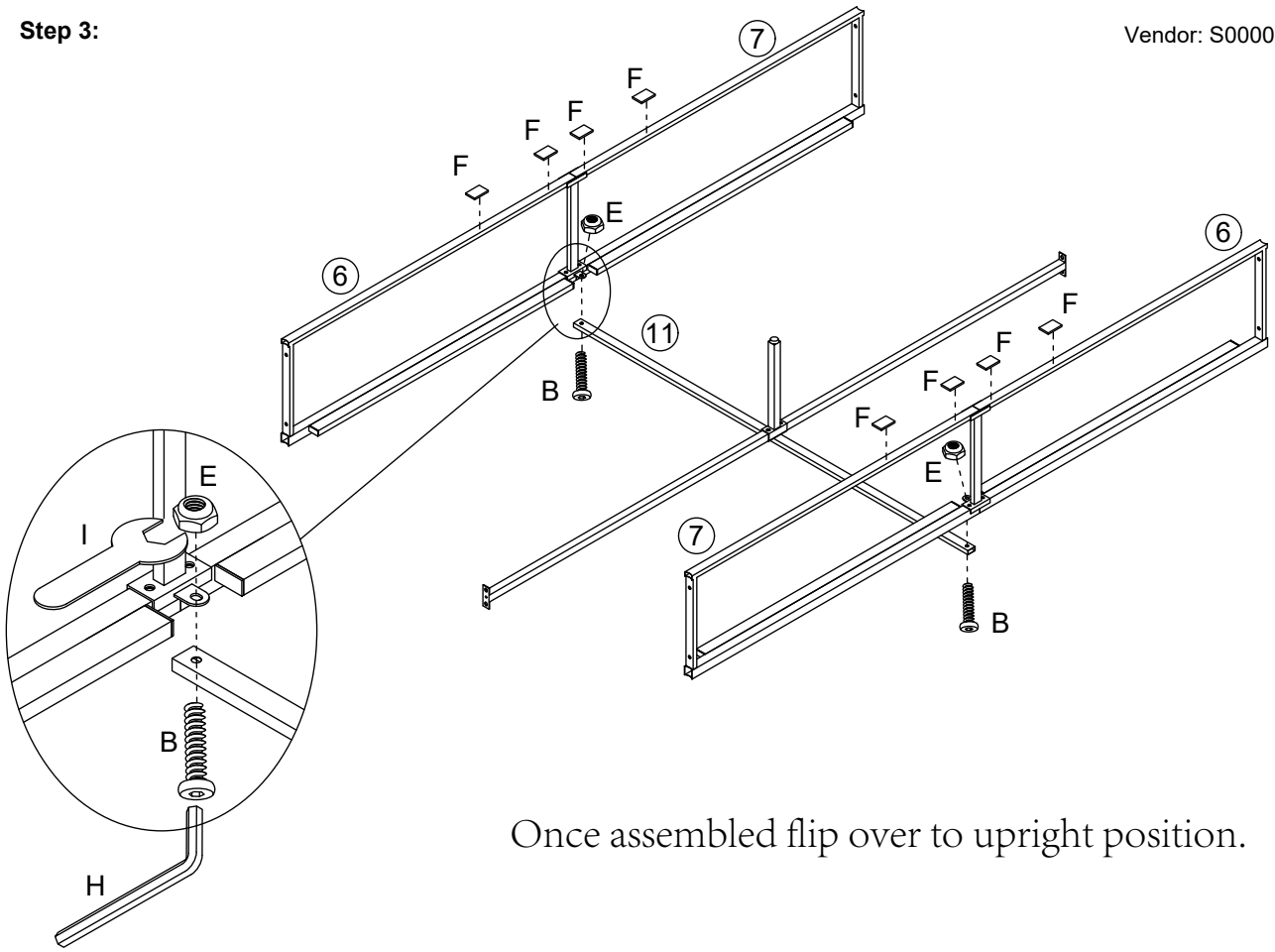


Step 2:

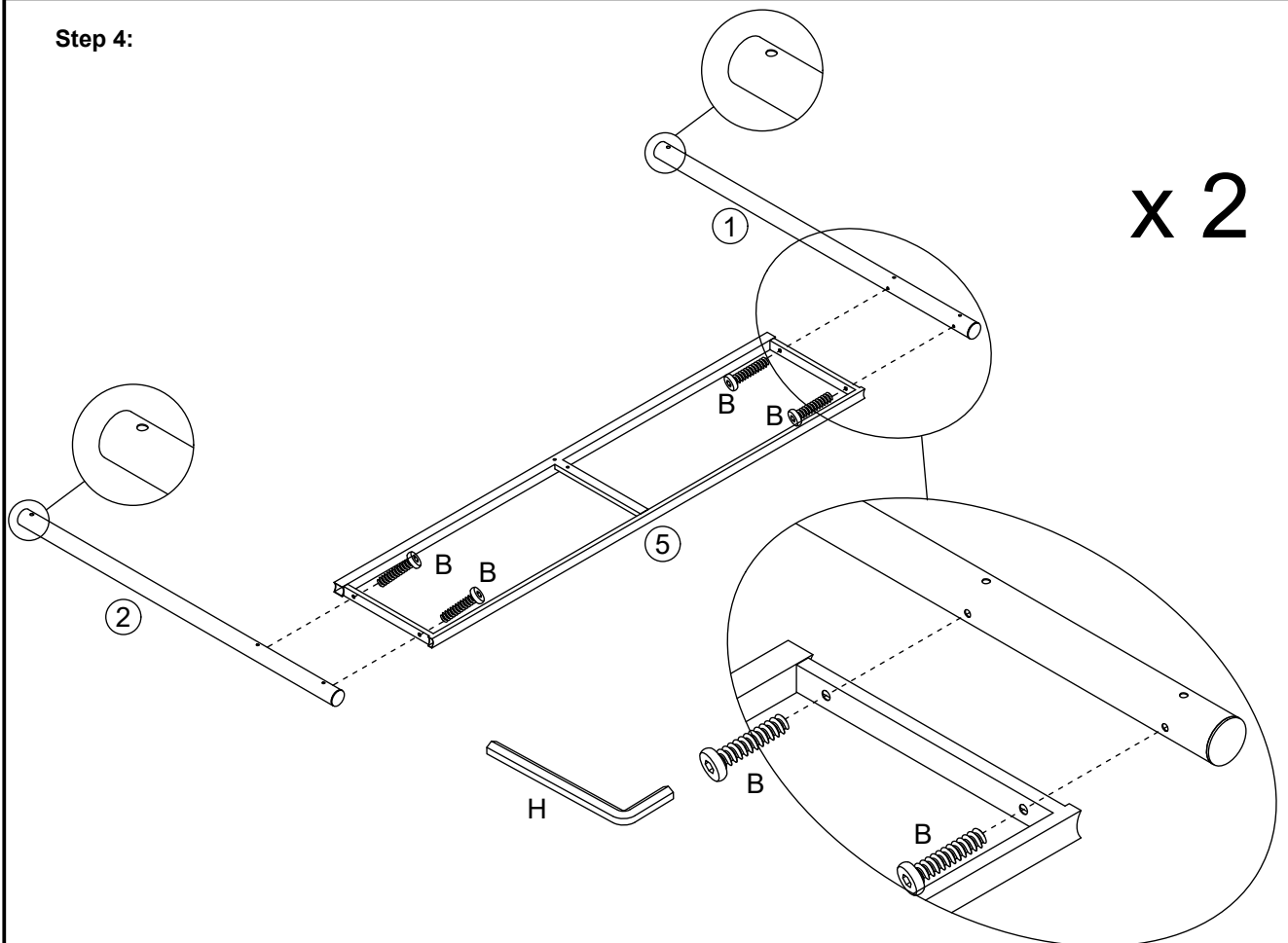


Step 3:

Vendor: S000053

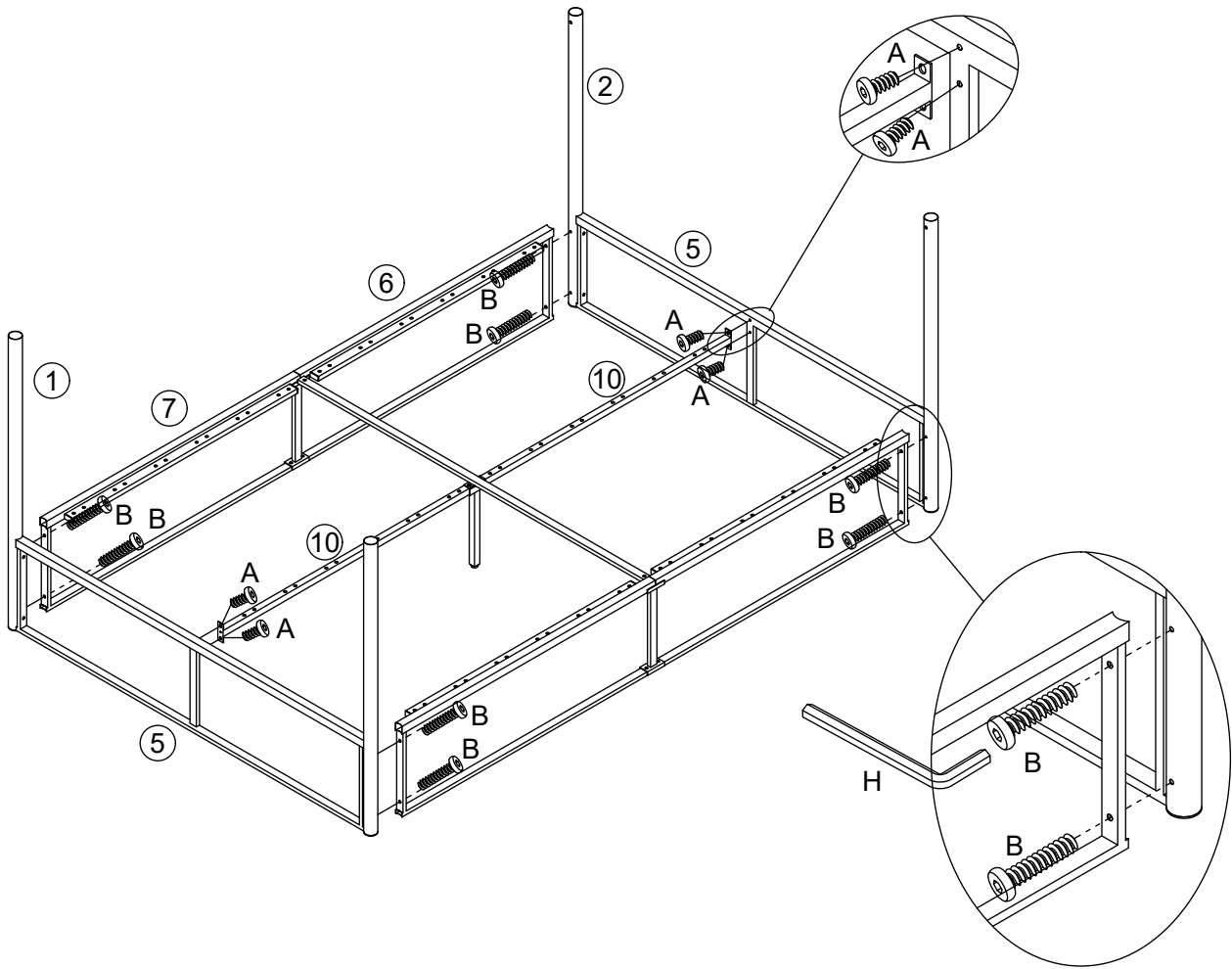


Step 4:

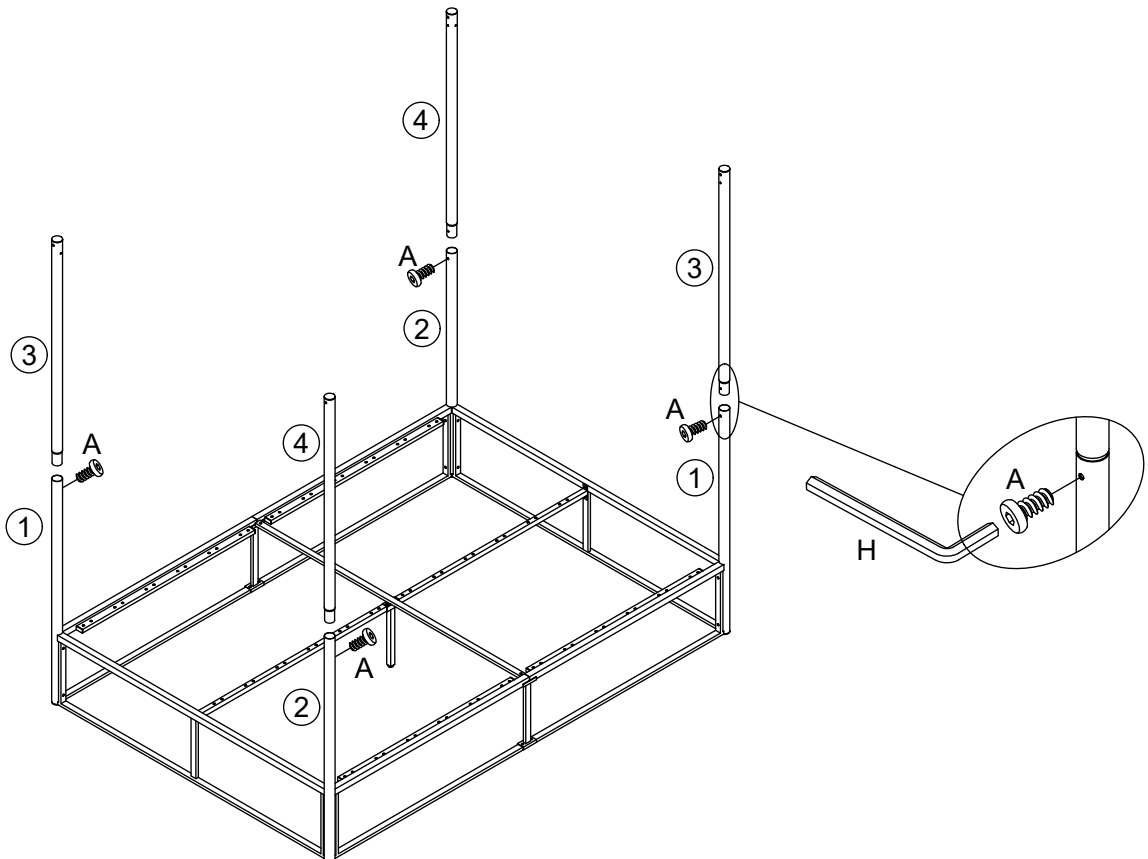


Step 5:

Vendor: S000053

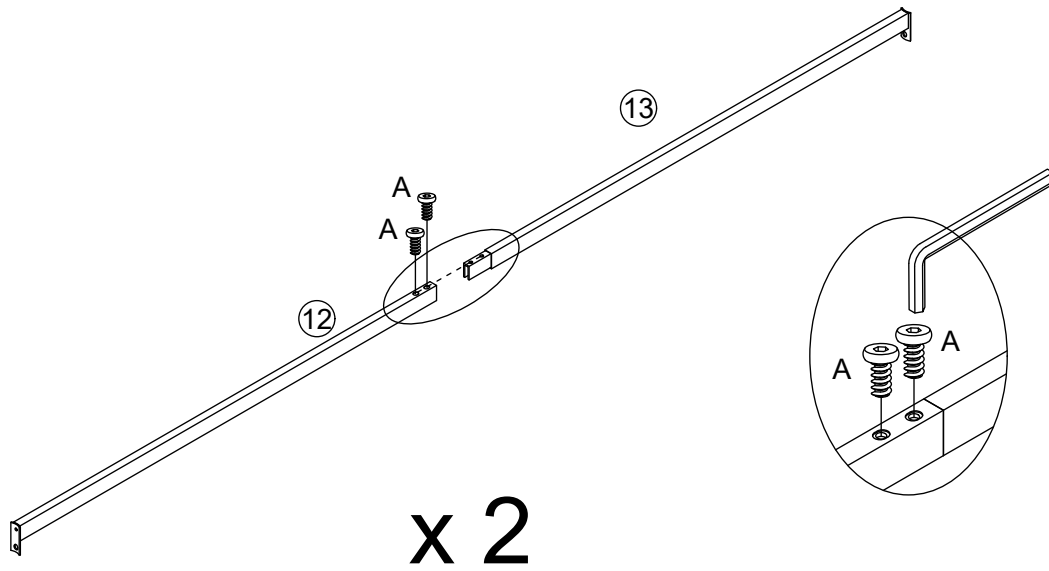


Step 6:

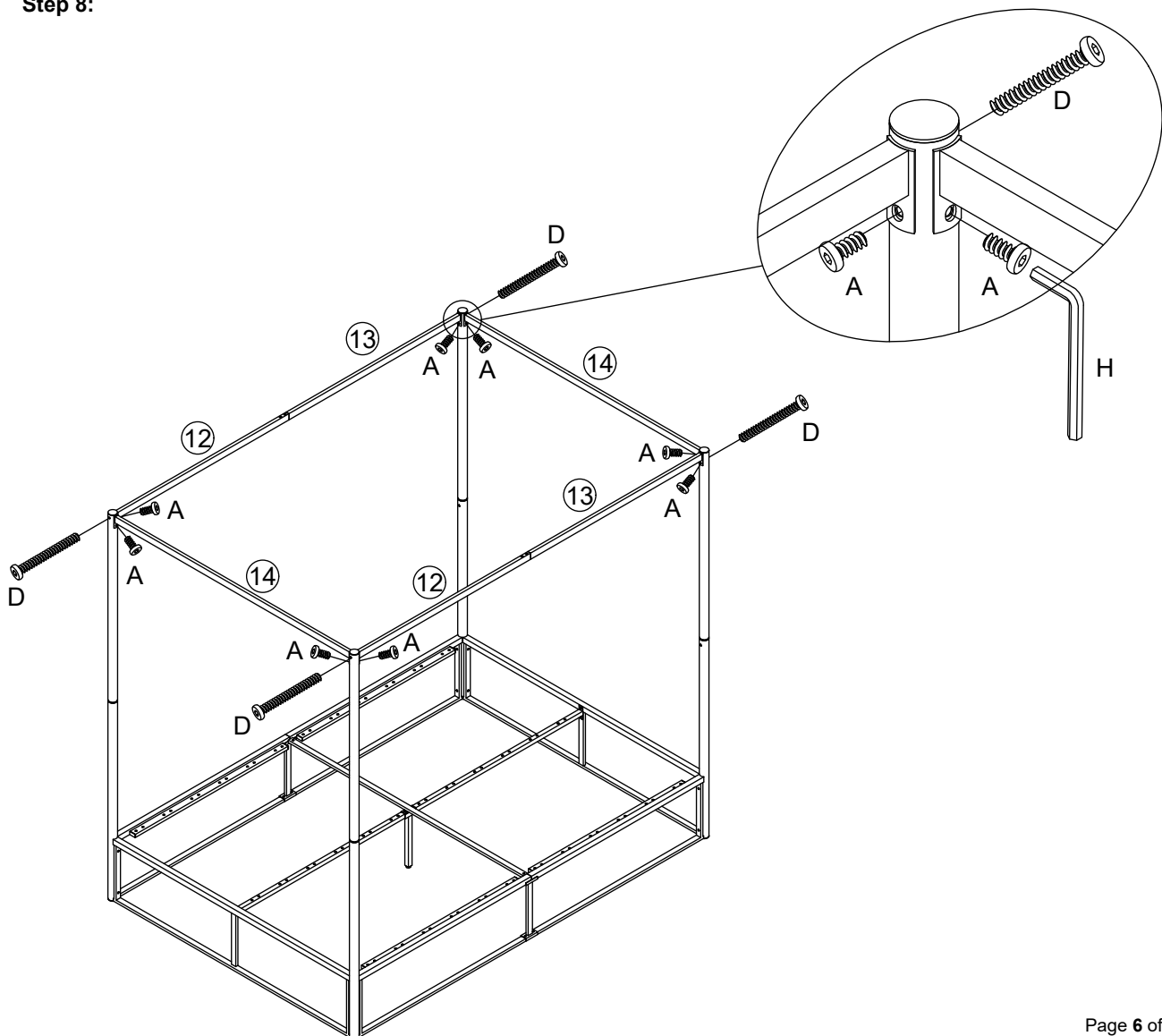


Step 7:

Vendor: S000053

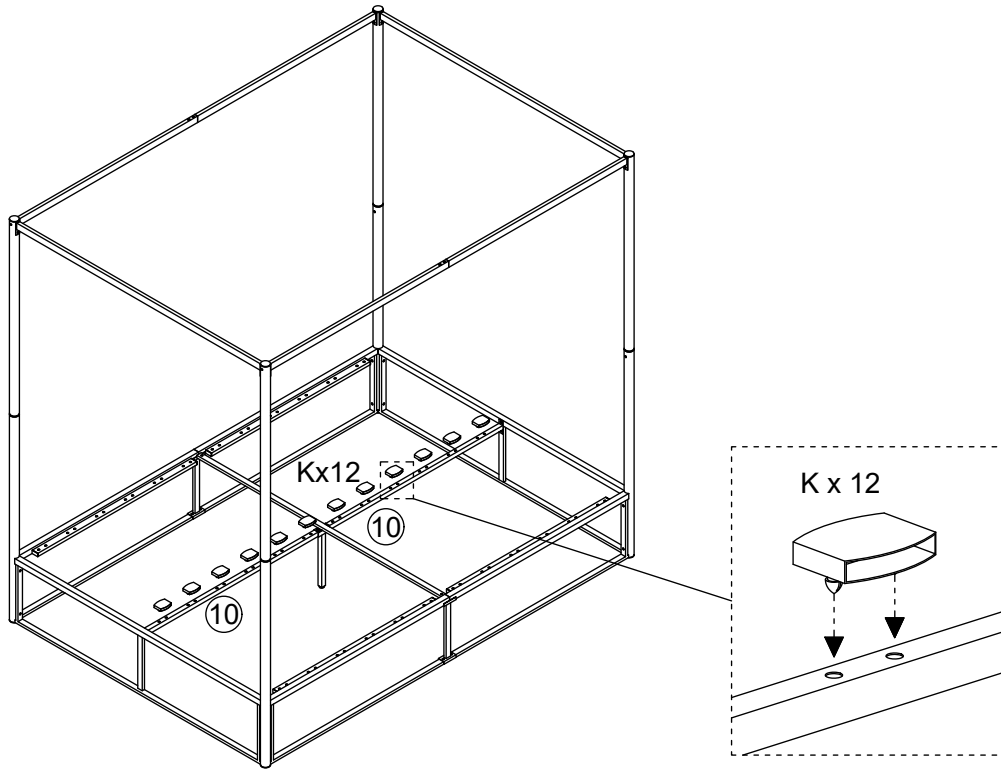


Step 8:



Step 9:

Vendor: S000053



Step 10:

