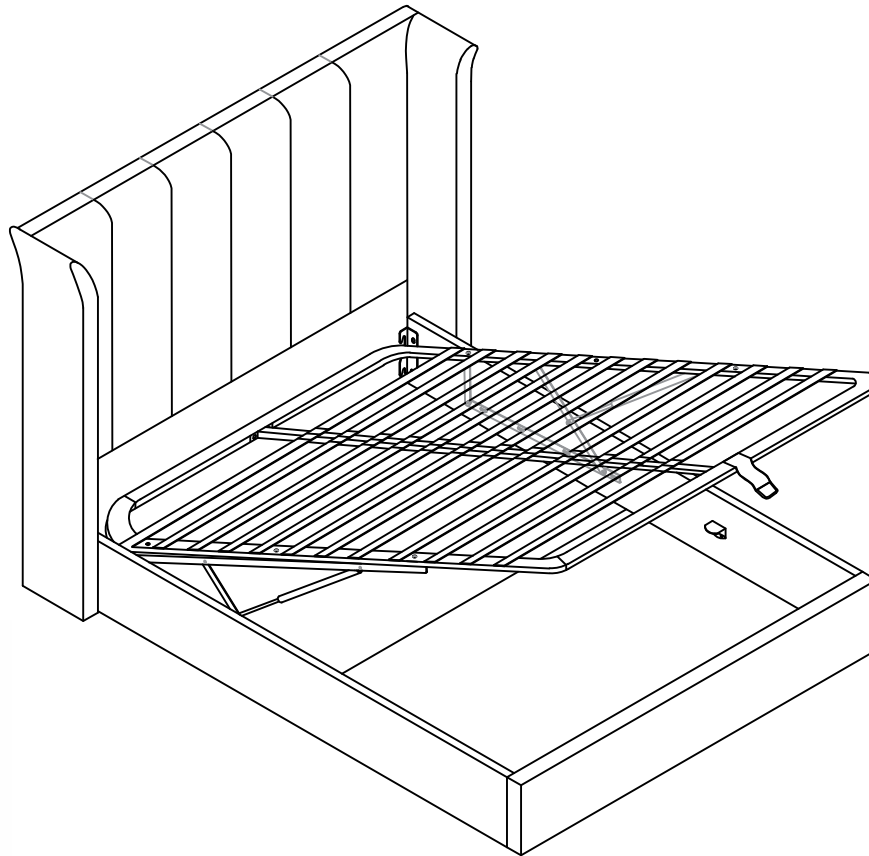


# Assembly Instruction



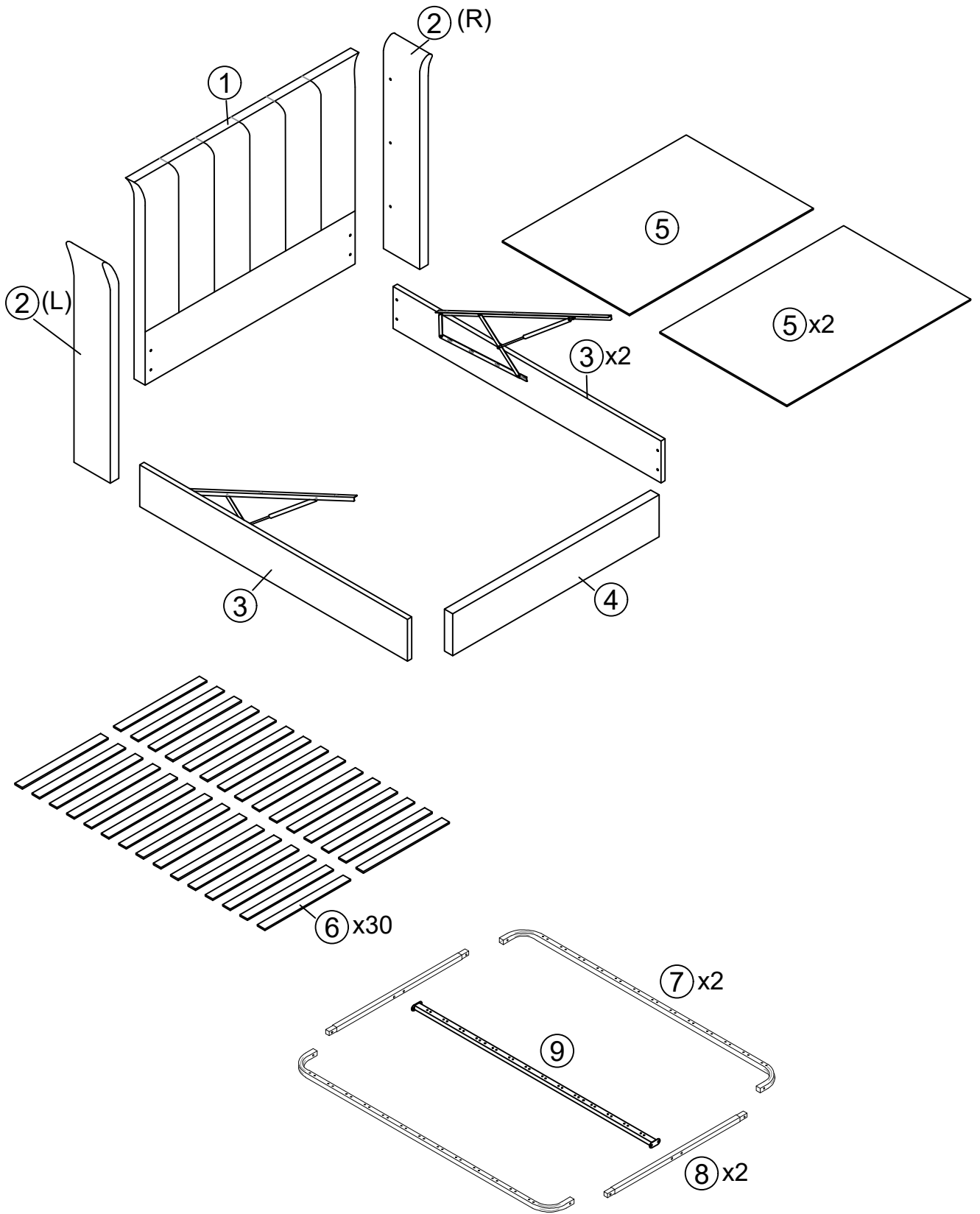
Do not use Power Tools

Minimum No. 2 Of People Recommended To Assemble This Product.  
Approximate Assembly Time : 45 MINUTES

BEFORE YOU START, HERE IS SOME HELPFUL ADVICE :

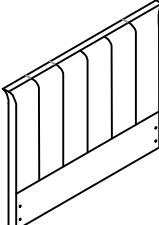

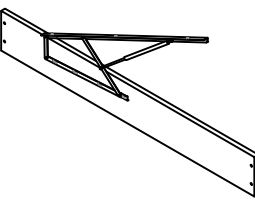
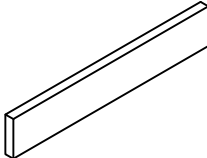
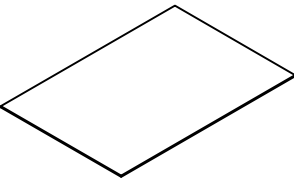

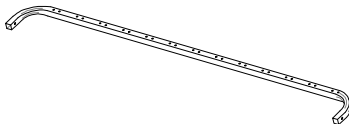
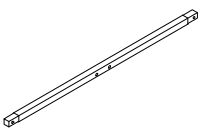
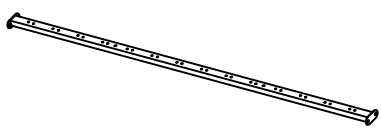
1. We suggest you spend a short time reading, through this leaflet and then follow the simple step by step instructions.
2. If you follow the instructions carefully, the end result should be worth the effort.
3. **Do not discard any of the packaging** until you have checked that you have all the parts and the pack of fittings is correct and you are happy with the product.
4. To ensure an easier assembly, we strongly advise that all fittings are only finger-tightened during initial assembly phase. Only upon completion of the assembly should all fixing points be fully tightened.
5. We recommend a periodic check on all fixing points to make sure they remain fully tightened.
6. Keep any fittings out of children's reach.

# King Pol Storage




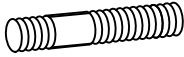

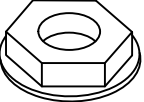

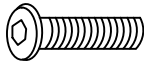
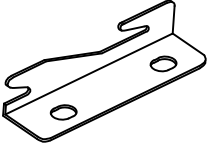
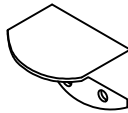

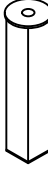

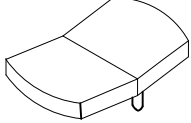
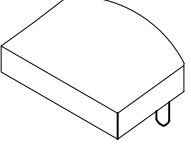

# King Pol Storage

## Parts List

1  1PC	2  2PCS
3  2PCS	4  1PC
5  2PCS	6  30PCS
7  2PCS	8  2PCS
9  1PC	

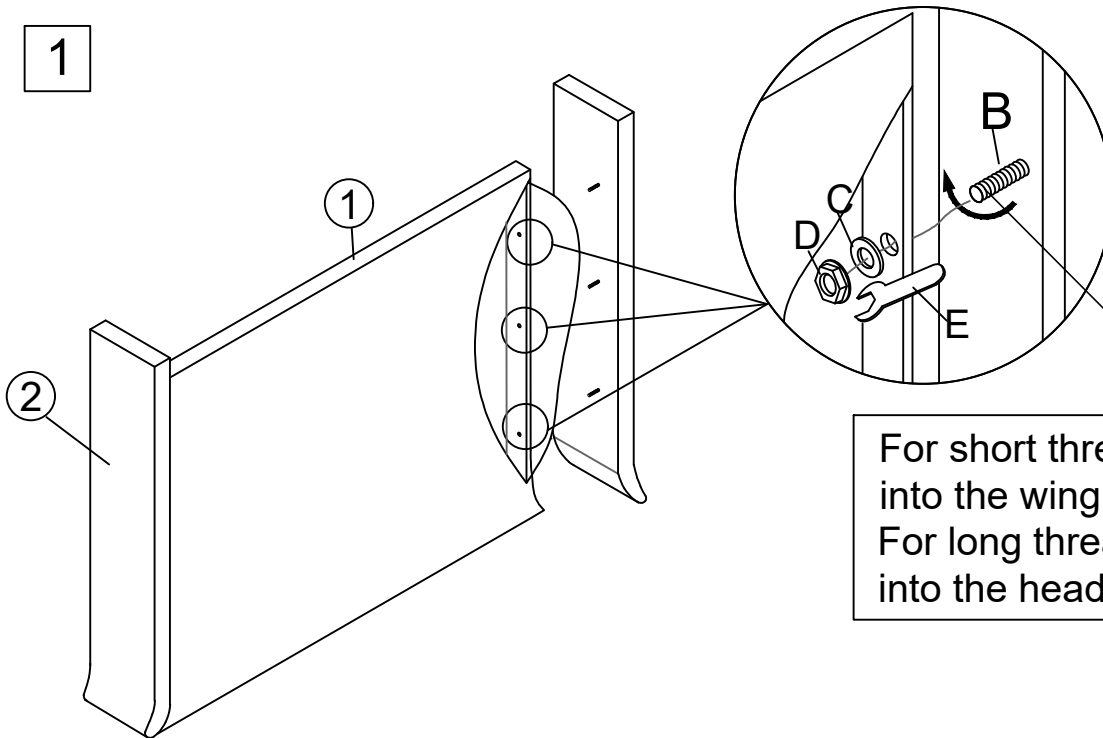
# King Pol Storage

## Parts List

<b>A</b>  M5 2PCS	<b>B</b>  M8x60mm 6PCS
<b>C</b>  M8 14PCS	<b>D</b>  20PCS
<b>E</b>  2PCS	<b>F</b>  M8X25mm 16PCS
<b>G</b>  4PCS	<b>H</b>  4PCS
<b>I</b>  M4X25mm 12PCS	<b>J</b>  2PCS
<b>K</b>  M8X45mm 16PCS	<b>L</b>  15PCS
<b>M</b>  30PCS	<b>N</b>  1PC

## Installation Steps

1

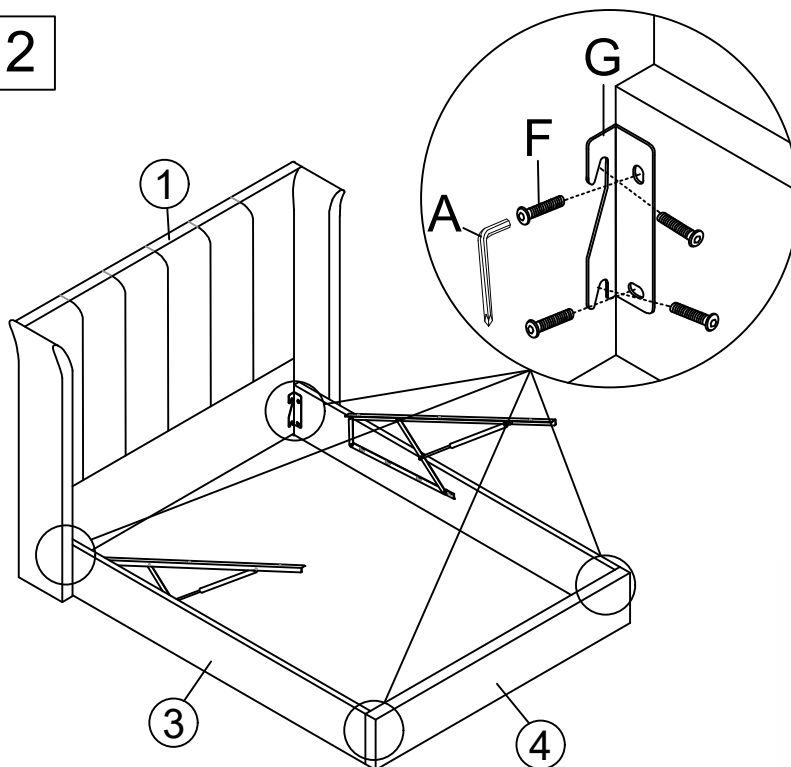


For short thread end screw into the wing.  
For long thread end screw into the head.

Turn the top of Headboard(1)&Wings(2) upside down on the ground. Attach the Lead screw(B) into the Wings(2) firstly. Then mount both Wings(2) to Headboard(1) by pushing the Washer(C) and Hex Nut(D) to fit. Tighten Hex Nut(D) with Solid Wrench(E).

	B x 6PCS
	C x 6PCS
	D x 6PCS
	E x 1PC

2



Attach the Bracket (G) with Bolt (F) and slightly tighten with Allen Key (A). Mount both Siderails (3) to Headboard (1) and Footboard (4) by pushing the Bracket (G) down to fit. Do not fully tighten the screws at this moment.



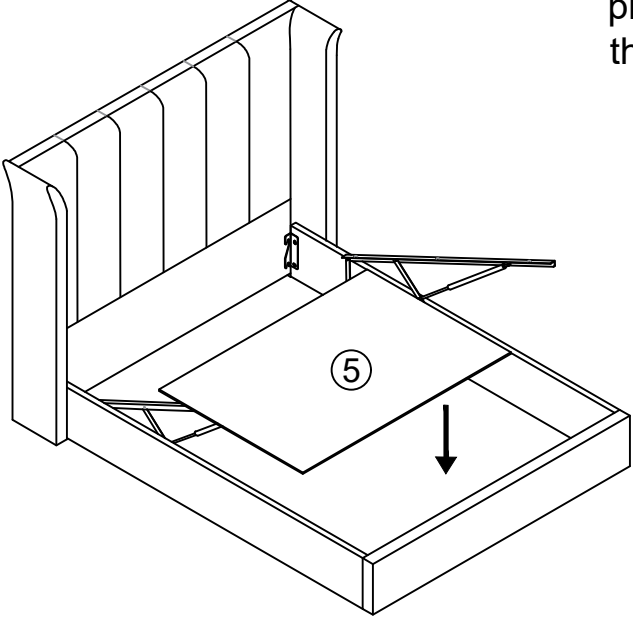
Do not use Power Tools

	A x 1PC
	F x 16PCS
	G x 4PCS

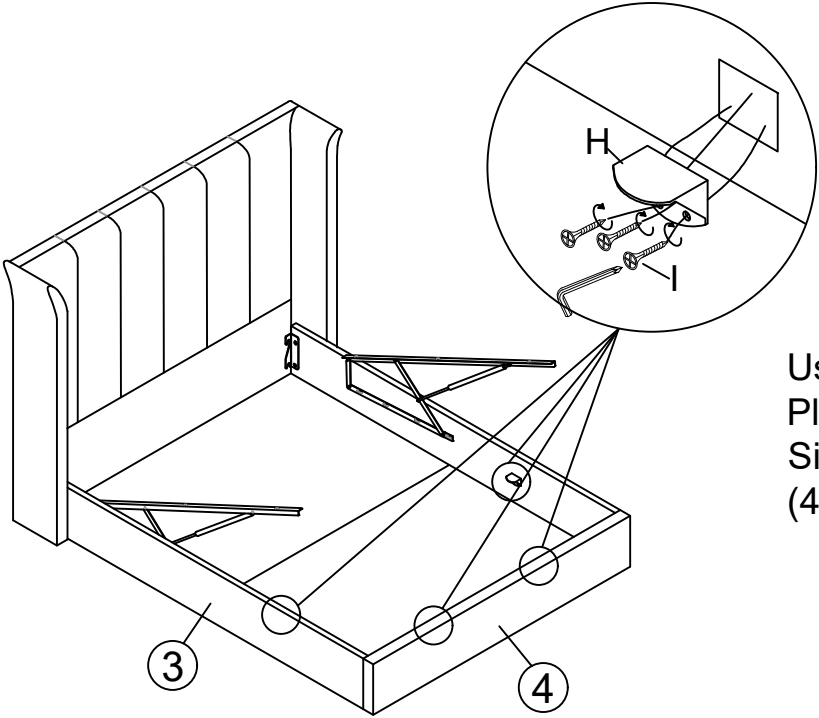
# King Pol Storage

3

Place the Two pieces plywood Base Boards (5) into the bottom storage area.



4



Use Allen Key(A) to Fix the Plastic Support (H) onto the Siderails(3) and Footboard (4) with Screws (I)

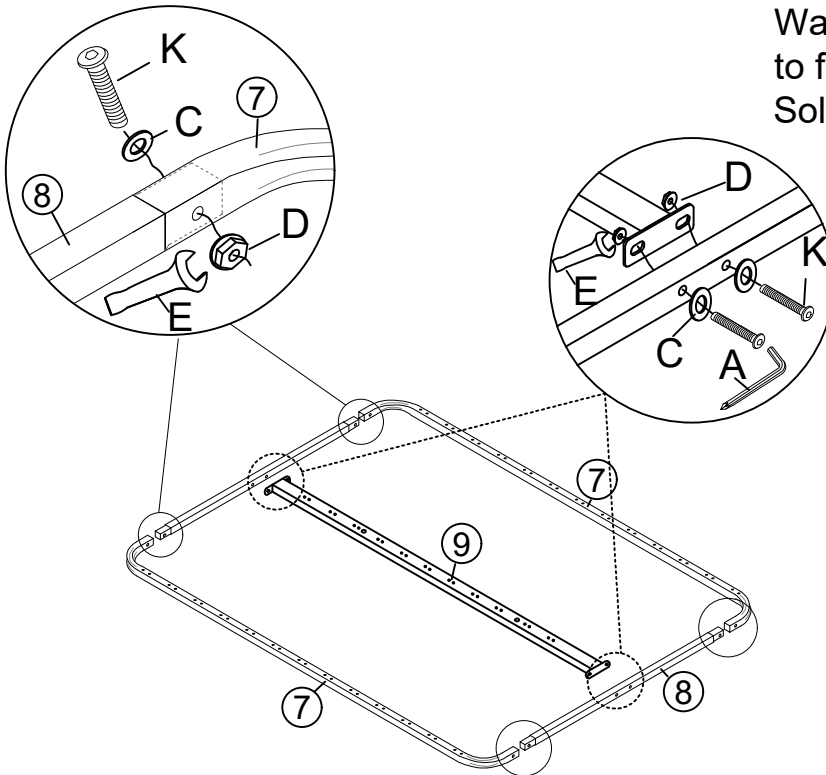
	A x 1PC
	H x 4PCS
	I x 12PCS

# King Pol Storage






5

Attach the Gaslift metal Frame(7)&(8) with Bolt (K) by pushing the Washer(C) and Hex Nut(D) to fit. Tighten Hex Nut(D) with Solid Wrench(E).

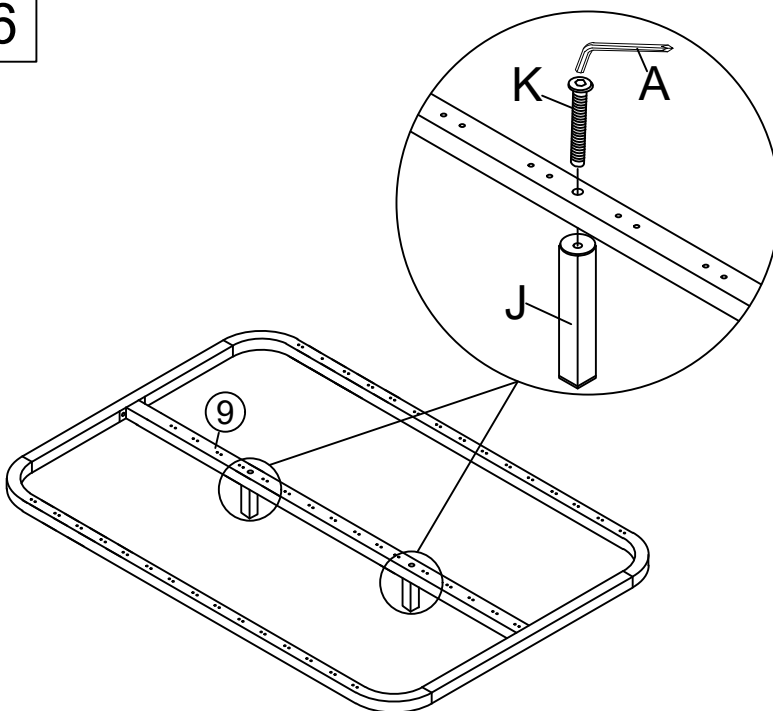
Use Allen Key(A) To attach the Metal Central Beam(9) with Bolt (K) by pushing the Washer(C) and Hex Nut(D) to fit. Tighten Hex Nut(D) with Solid Wrench(E).






Please note that these metal fittings for assembling metal frame are packed in box 3

	A x 1PC
	C x 8PCS
	D x 8PCS
	E x 1PC
	K x 8PCS

6

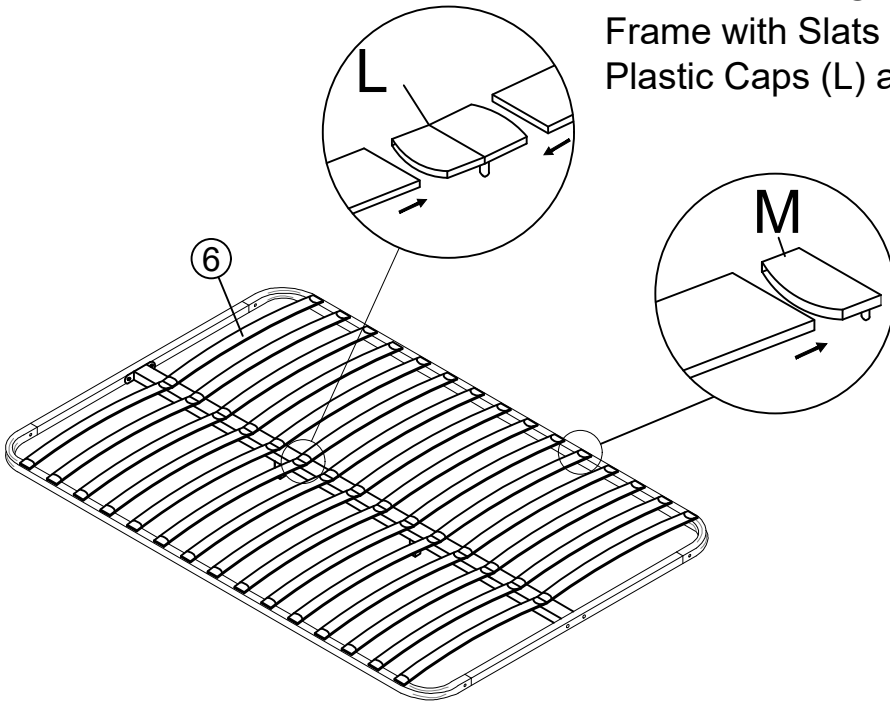



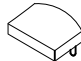
Use Allen Key(A) To fix the Central Legs(J) under the Metal Central Beam(9) with Bolts(K).

	A x 1PC
	K x 2PCS
	J x 2PCS

7

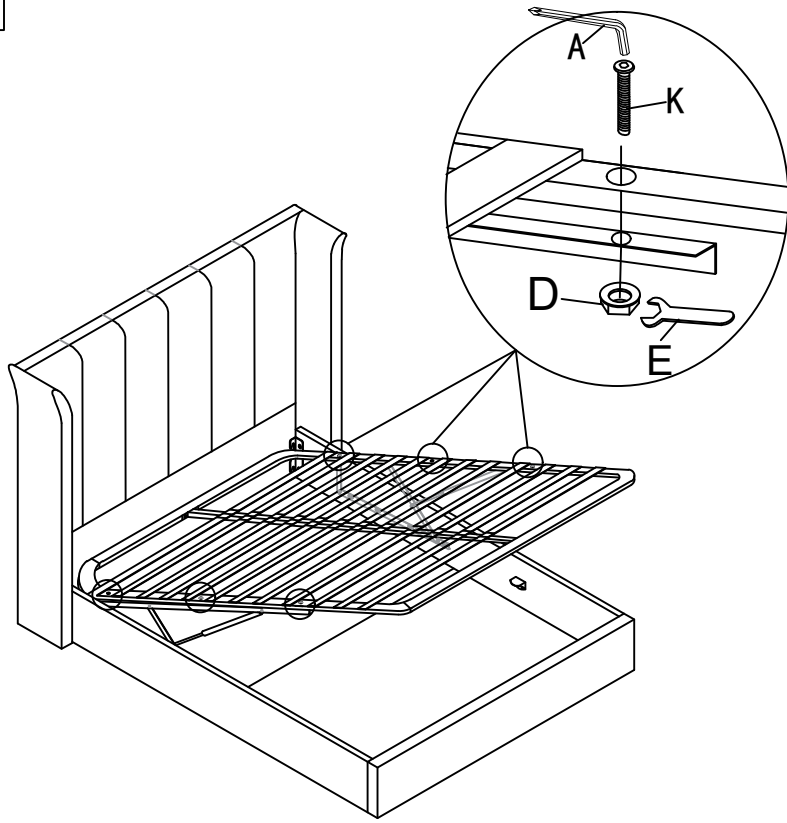
Assemble the Gaslift Metal Frame with Slats (6) and Plastic Caps (L) and (M)







	L x 15PCS
	M x 30PCS

8

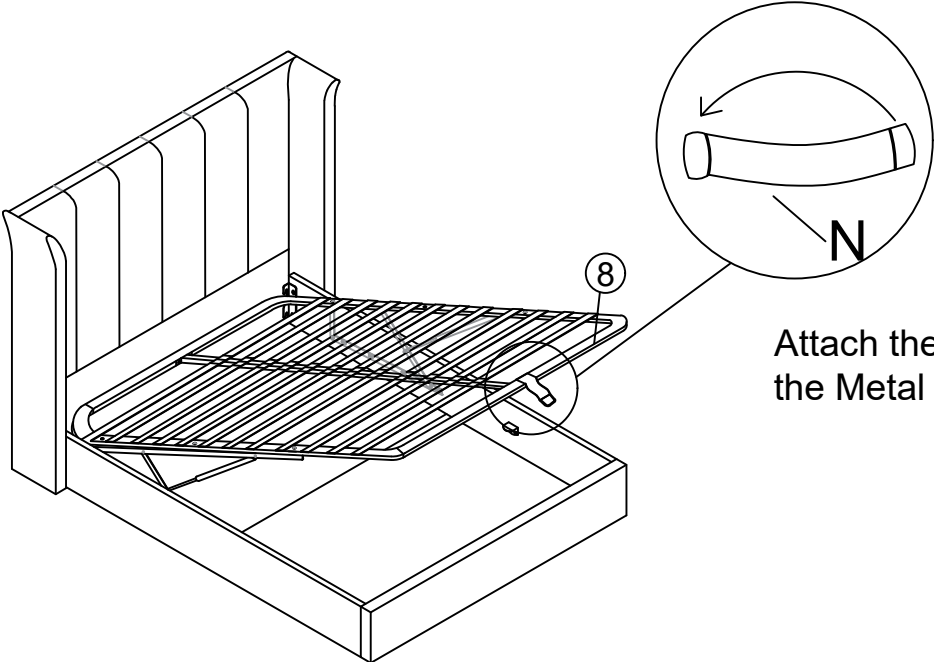
Use Allen Key(A) To assemble the Gaslift Metal Frame onto the Gaslift bracket with Bolts(K) and Hex Nut(D) to fit .Tighten Hex Nut(D) with Solid Wrench(E).



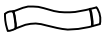
	A x 1PC
	D x 6PCS
	E x 1PC
	K x 6PCS



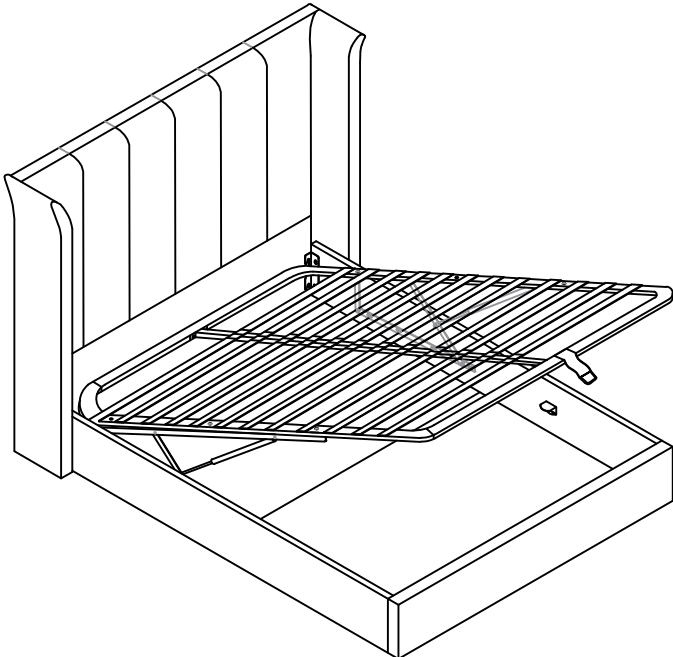
9



Attach the black Strap(N) to the Metal Frame(8).

	N x 1PC
---	---------

**When fully assembled, the gas lift frame will need excess force to push down on**



Assembly finished

## **Caring for your New Limelight product**

- When assembling your product please ensure that you have checked the contents for all relevant parts.
- When tightening bolts make sure that they are fully tightened but not forced.

### **BEDS WITH CENTRE LEGS**

- PLEASE NOTE THE RECOMMENDED PROCESS FOR ADJUSTING CENTRE LEGS WHEN ASSEMBLING YOUR BED.
- BEFORE PLACING THE MATTRESS ON THE BASE, PLEASE ENSURE THAT THE SUPPORT LEGS ARE NOT QUITE TOUCHING THE FLOOR. WHEN THE BED IS THEN IN USE THE SUPPORT LEGS WILL SIT FIRMLY ON THE SOLID SURFACE.
- PLEASE ENSURE THAT THE LEGS ARE VERTICAL.
- **DUE TO THE NATURE OF LAMINATE FLOORING WE RECOMMEND THAT YOU PLACE A SMALL PIECE OF NON SLIP MATERIAL UNDER THE LEGS WHICH WILL GIVE YOU THE FLEXIBILITY THAT THE ADJUSTERS NEED.**
- WHEN MOVING THE BED IT IS ESSENTIAL THAT IT IS **LIFTED** INTO THE NEW POSITION. **NEVER DRAG** THE BED AS THIS WILL MOVE THE LEGS FROM THE VERTICAL POSITION THUS WEAKENING THE SUPPORT OF THE CENTRE RAIL.
- ADHERING TO THE RECOMMENDED PROCESS SHOULD ENSURE THAT YOUR BED GIVES YOU YEARS OF TROUBLEFREE SERVICE.
- It is advisable to use approved cleaning products when cleaning our products as certain chemical based cleaners could have an adverse effect on the bed finish.

- All Limelight beds are produced to the highest standards and are packed to avoid damage in transit, should you find that your new bed does not meet with your satisfaction please contact Limelight customer care on 01455 850150.
- **PLEASE NOTE: GOODS THAT NEED TO BE RETURNED SHOULD BE SENT BACK IN ORIGINAL PACKAGING.**

## **PROBLEMS?**

**SHOULD YOU ENCOUNTER ANY DIFFICULTY WITH THE  
ASSEMBLY OF YOUR BED,  
PLEASE DO NOT TROUBLE YOUR RETAILER BUT  
CALL or E-MAIL our  
CUSTOMER SERVICES DEPARTMENT  
BETWEEN THE HOURS OF  
9.00am to 5.00pm MONDAY to THURSDAY  
9.00am to 4.00pm FRIDAY**

**Tel:-01455 850150**

**E-mail: - [info@limelightbeds.co.uk](mailto:info@limelightbeds.co.uk)**

**Limelight Beds Ltd**

**Orbital House**

**Arthur Street**

**Barwell**

**Leicestershire**

**LE9 8GZ**

**Please have the following information ready for our staff:  
Product name, part number & batch code**

**See our range on Web Site: - [www.limelightbeds.co.uk](http://www.limelightbeds.co.uk)**