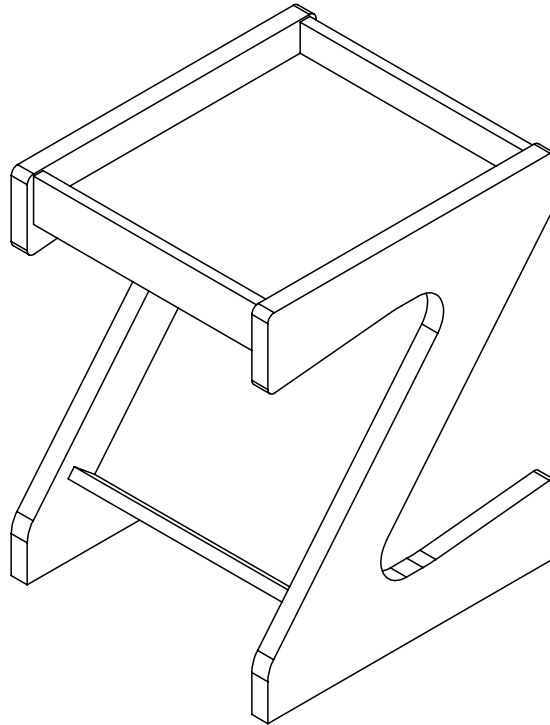


# BLACK/PINE EFFECT NAPLES Z SIDE TABLE ASSEMBLY INSTRUCTIONS



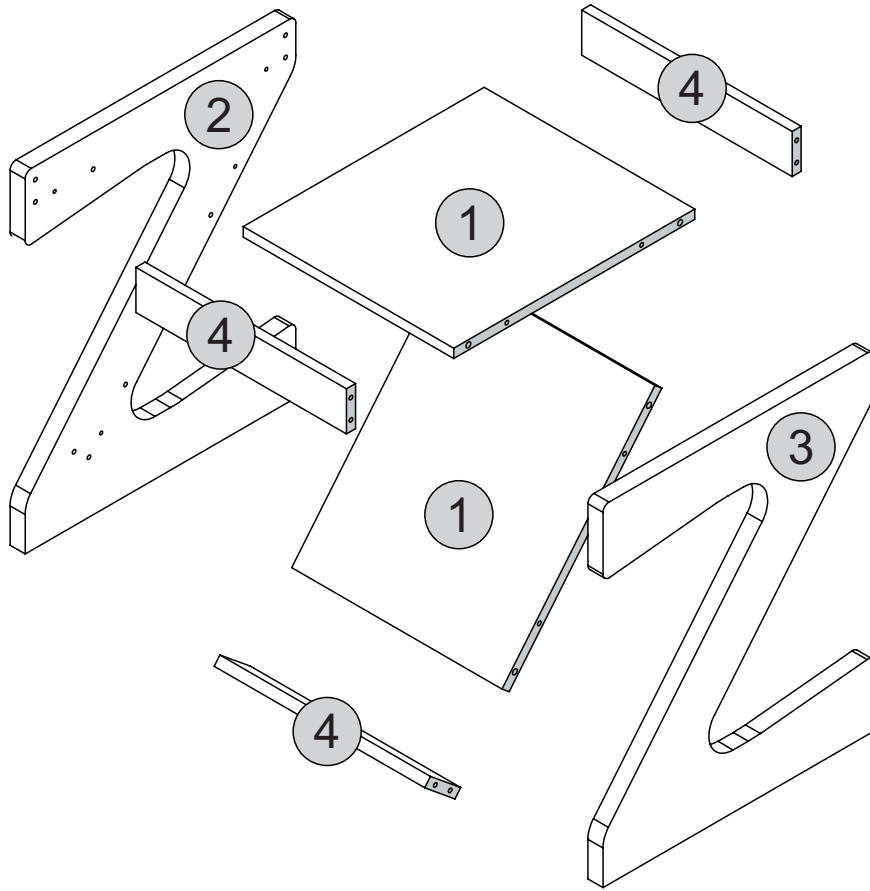
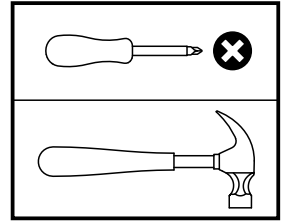
**IMPORTANT**  
**FOR DOMESTIC USE ONLY**  
**PLEASE READ BEFORE YOU CONTINUE FURTHER**

## CARE AND MAINTENANCE

After unpacking this product please keep the original packaging in case it needs to be returned for any reason.

- Please ensure all fittings and parts are present before commencing with assembly.
- Never drag or push products as this could cause damage to the joints making it inferior.
- We strongly recommend that you keep children away from your work area.
- We recommend that you lay a blanket or sheet on the floor to avoid damage to both your floor and the product.
- Assemble this product as close to its final position as possible.
- Do not place this product next to a radiator or in direct sunlight.
- Do not drag or push items across your high gloss furniture as this may cause the surface to scratch
- Wood is a natural product and may expand if subjected to damp and may shrink or crack if subjected to heat. Therefore it is recommended that room temperature is maintained, with no sudden temperature fluctuations.
- Make sure any spillage is wiped off immediately.
- Do not place hot or chilled items directly on to the surface, use a place mat or marking will occur.
- For general cleaning use a soft cotton or micro fibre cloth, and do not use detergents of any kind.
- From time to time it may be necessary to tighten fittings, regular inspections should be carried out.
- Do not place on a wet or damp floor as staining may occur to your floor.

**TOOLS REQUIRED**

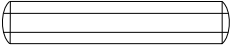
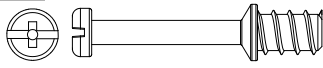
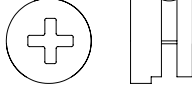
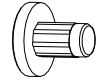




**PARTS LIST**

***Please Note:***  
The below parts have all been stamped with the part number to help identify them during assembly.

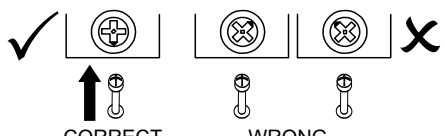
<b>Part Number</b>	<b>Part Code</b>	<b>Part Description</b>	<b>Quantity</b>	<b>Carton</b>
1	S300-302-057-AY1-01	Top Panel	2	1/1
2	S300-302-057-AY1-02	Left Side Panel	1	1/1
3	S300-302-057-AY1-03	Right Side Panel	1	1/1
4	S300-302-057-AY1-04	Crossbeam	3	1/1

### FITTINGS LIST

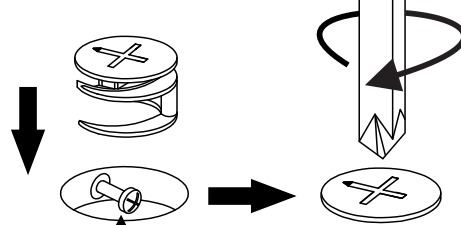
<p><b>A</b></p>  <p>2/+ Dowel Ø6,0 x 30mm (20x)</p>	<p><b>B</b></p>  <p>1/+ Cam Bolt (8x)</p>	<p><b>C</b></p>  <p>1/+ Cam Nut (8x)</p>	<p><b>D</b></p>  <p>1/+ Plastic Foot 5X10mm (4x)</p>
<p><b>E</b></p>  <p>1/+ Hole Plugs (4x)</p>	<p><b>F</b></p>  <p>Glue (1x)</p>		

### TIPS FOR FITTINGS CAM-LOCKS

WHEN FITTING CAM NUT, ENSURE STARTING POSITION IS CORRECT BEFORE YOU INSERT CONNECTING CAM BOLT TURN CLOCKWISE UNTIL SECURE



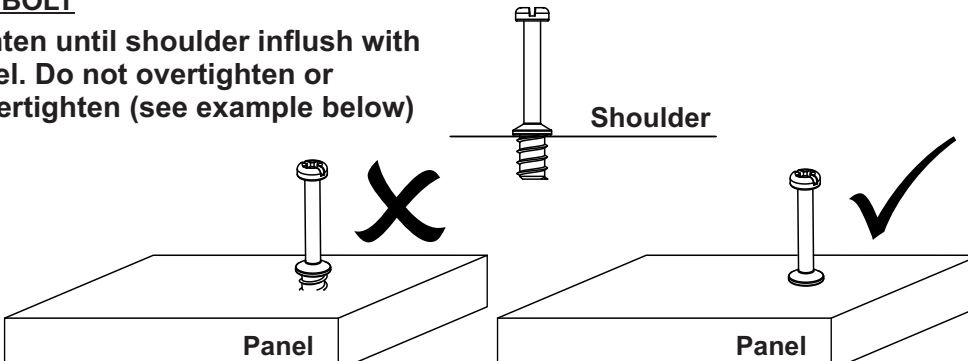
**CORRECT**      **WRONG**



Cam bolt head needs to be in centre

#### CAMBOLT

Tighten until shoulder inflush with panel. Do not overtighten or undertighten (see example below)



Shoulder

Panel

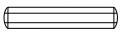
Panel

# STEP 1

**PARTS REQUIRED**

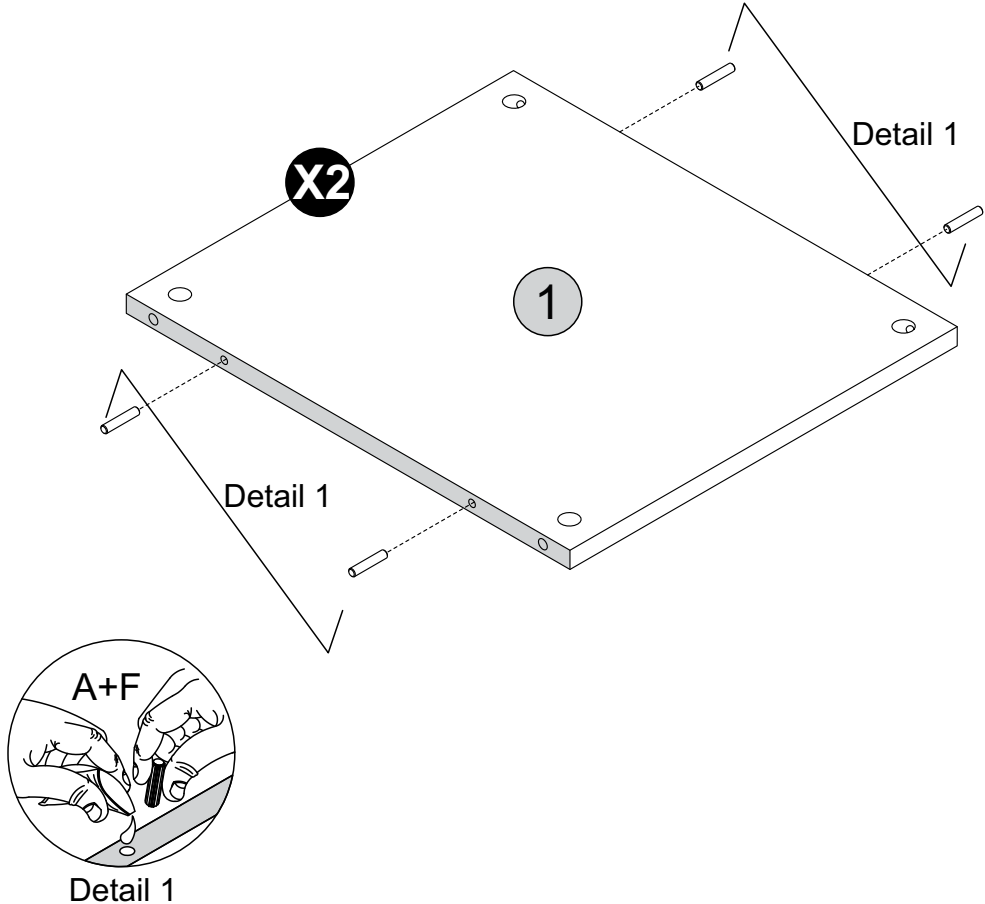
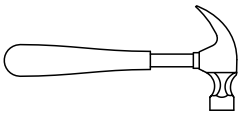
1 - TOP PANEL x2

**HARDWARE REQUIRED**

A  08

F  01

**TOOLS REQUIRED**

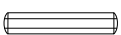


# STEP 2

**PARTS REQUIRED**

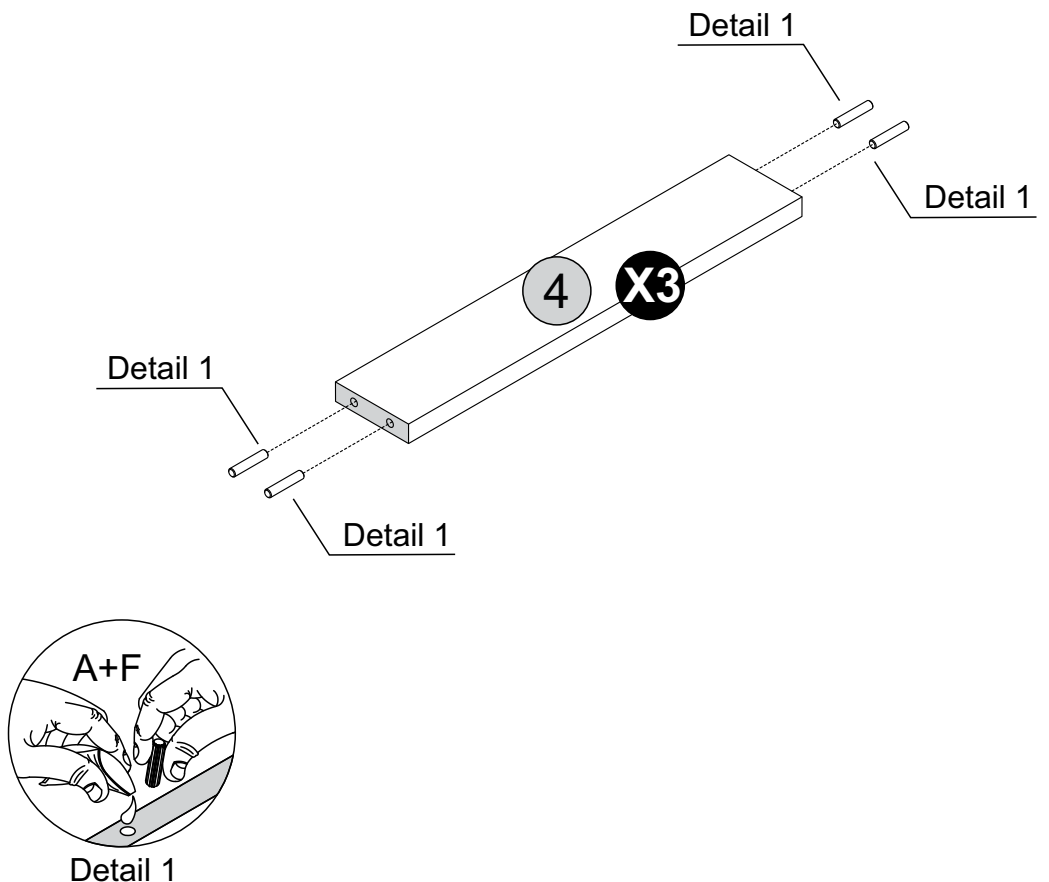
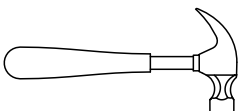
4 - CROSSBEAM x3

**HARDWARE REQUIRED**

A  12

F  01

**TOOLS REQUIRED**





# STEP 3

**PARTS REQUIRED**

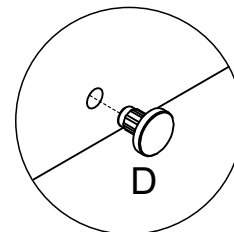
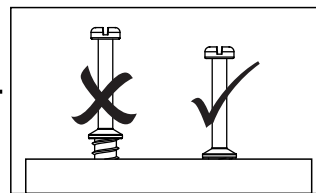
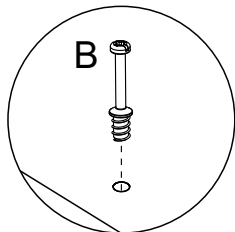
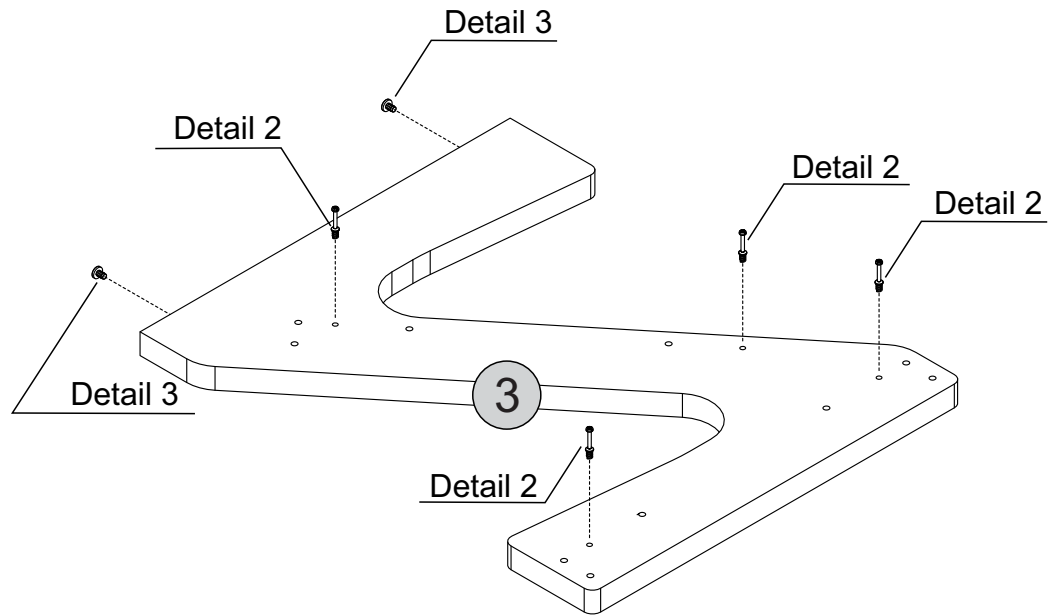
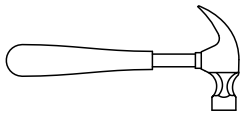
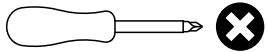
3 - RIGHT SIDE PANEL x1

**HARDWARE REQUIRED**

B  04

D  02

**TOOLS REQUIRED**



Detail 2


Detail 3

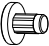
# STEP 4

**PARTS REQUIRED**

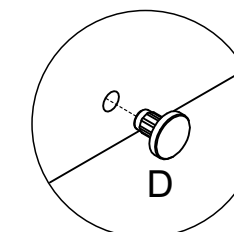
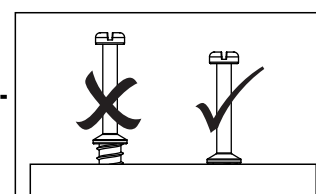
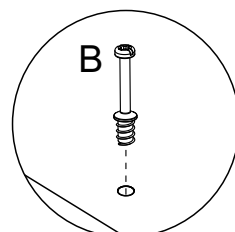
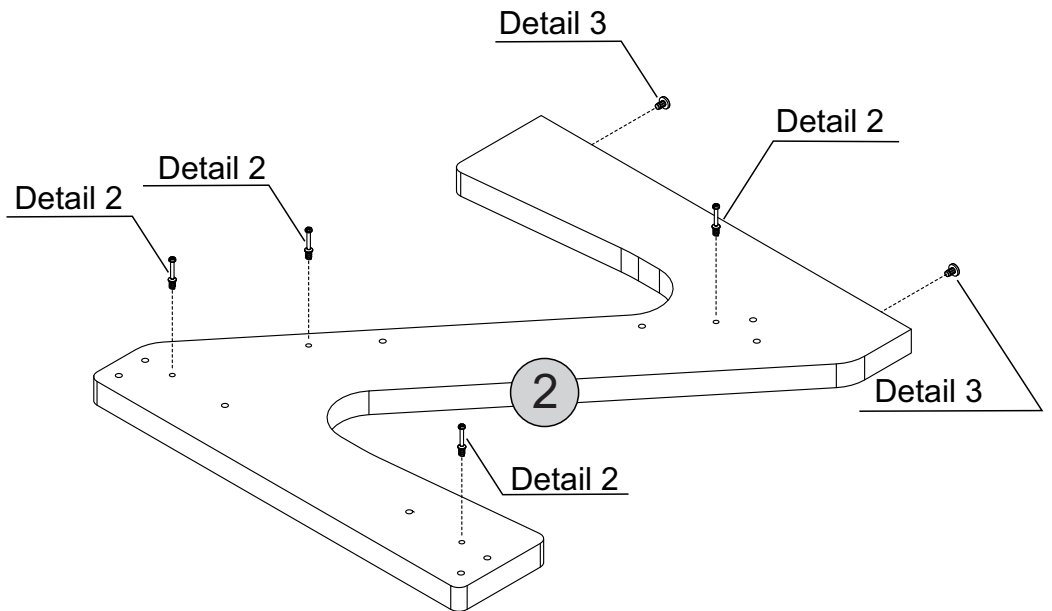
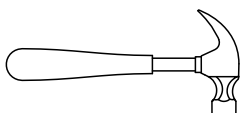
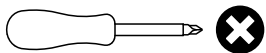
2 - LEFT SIDE PANEL x1

**HARDWARE REQUIRED**

B  04

D  02

**TOOLS REQUIRED**



Detail 2

Detail 3


# STEP 5

## PARTS REQUIRED

1 - TOP PANEL x1

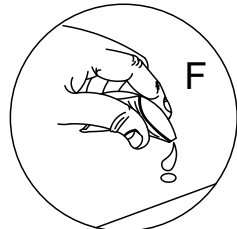
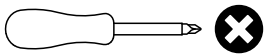
2 - LEFT SIDE PANEL x1

## HARDWARE REQUIRED

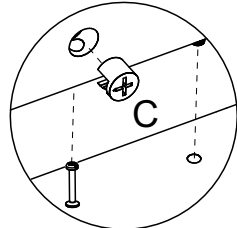
C  02

F  01

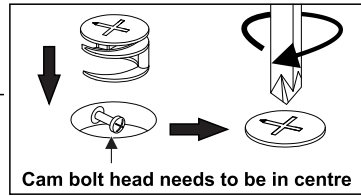
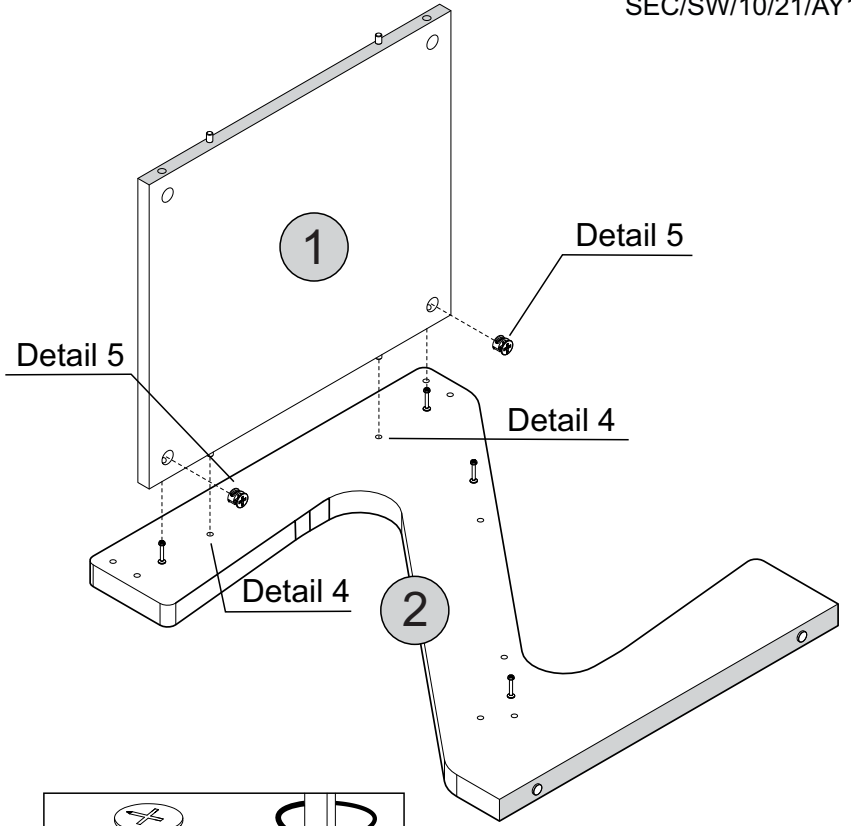
## TOOLS REQUIRED



Detail 4



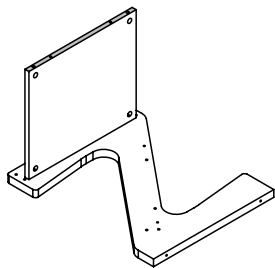
Detail 5



# STEP 6

## PARTS REQUIRED

1 - TOP PANEL x1



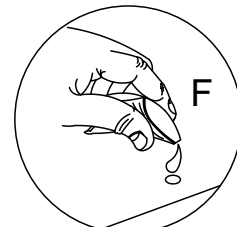
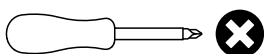
## HARDWARE REQUIRED

C  02

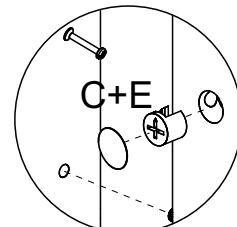
E  02

F  01

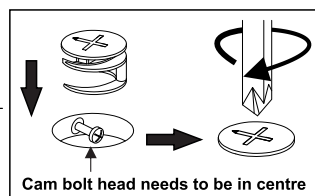
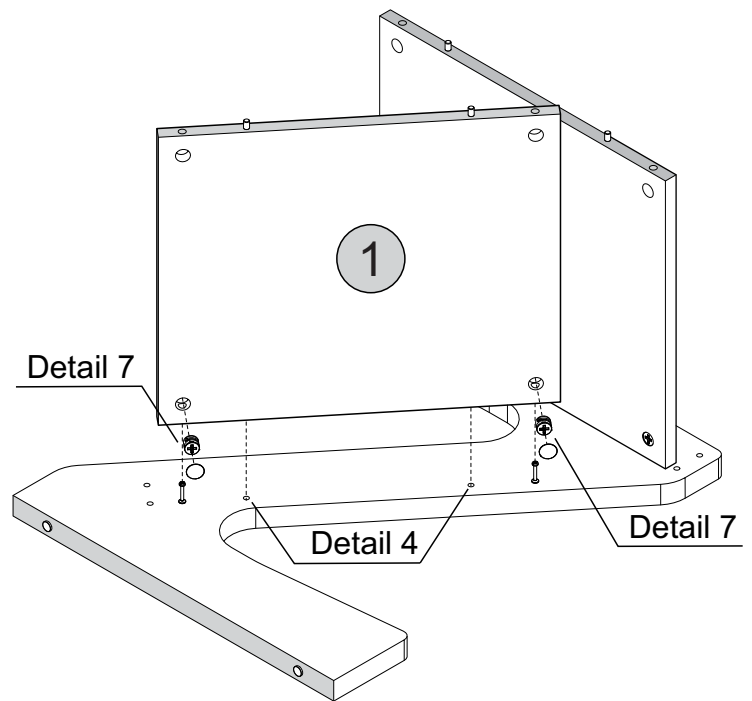
## TOOLS REQUIRED



Detail 4



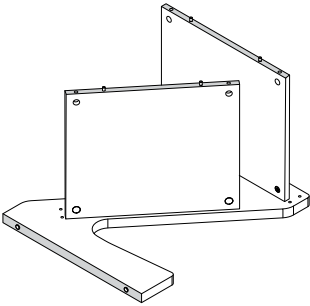
Detail 7



# STEP 7

**PARTS REQUIRED**

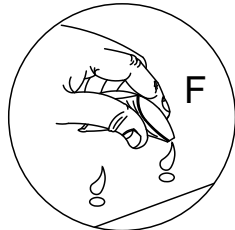
4 - CROSSBEAM x3



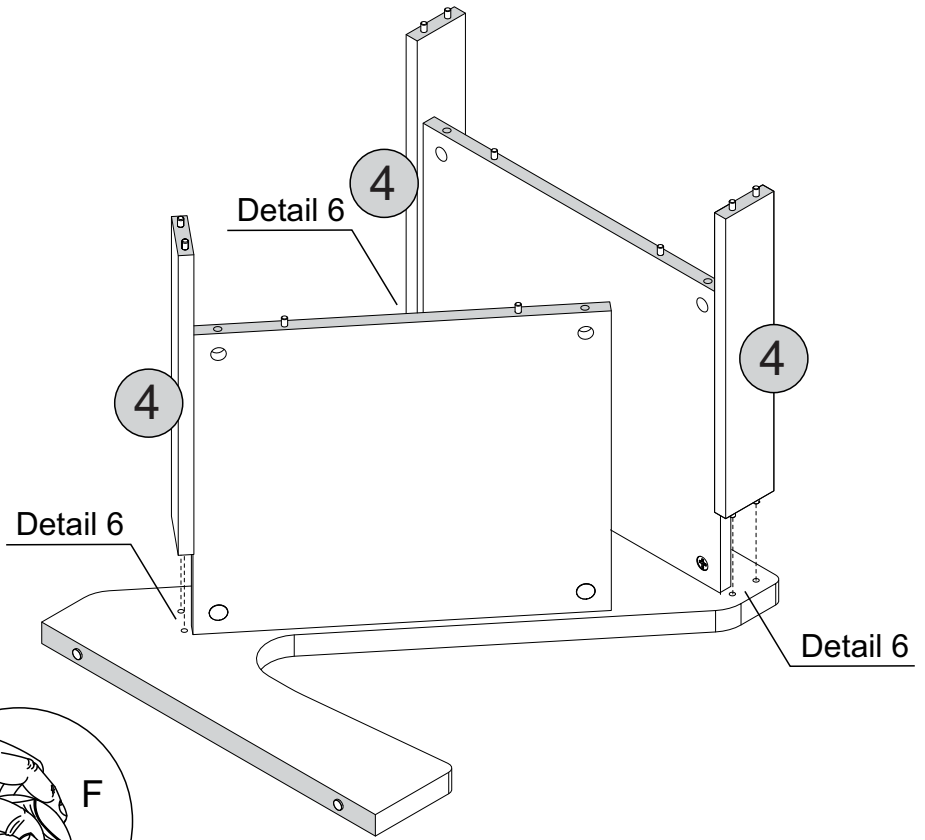
**HARDWARE REQUIRED**

F  01

**TOOLS REQUIRED**



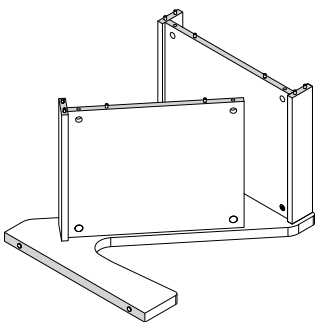
Detail 6




# STEP 8

**PARTS REQUIRED**

3 - RIGHT SIDE PANEL x1



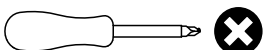
**HARDWARE REQUIRED**

C  04

E  02

F  01

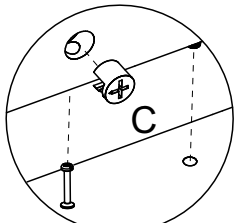
**TOOLS REQUIRED**



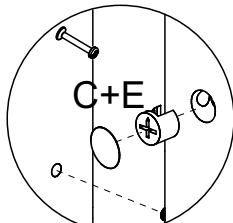
For your future reference order number should be here



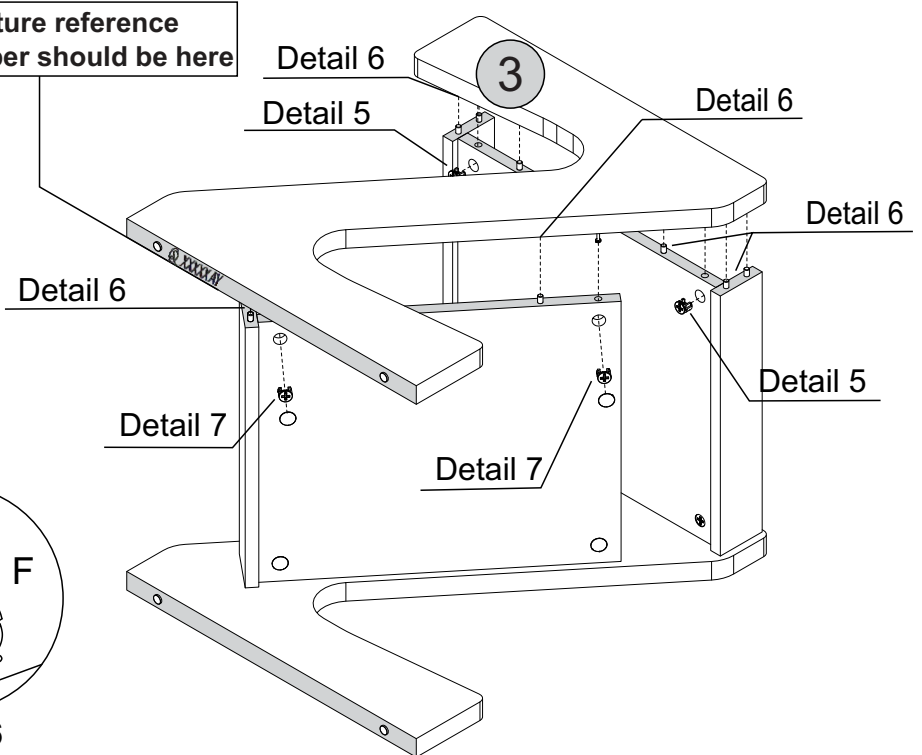
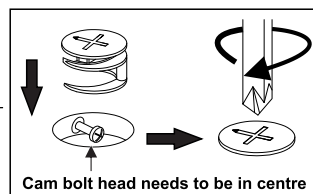
Detail 6



Detail 5

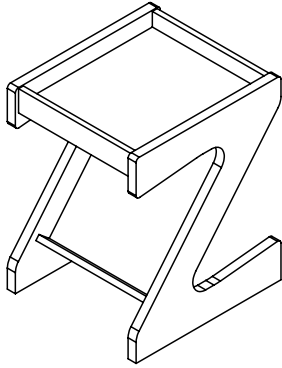


Detail 7



# STEP 9

PARTS REQUIRED



HARDWARE REQUIRED

TOOLS REQUIRED

**TIP**  
If desired, after assembly use an alcohol cleaner to erase the number printed on the parts.

An illustration showing a hand holding a cloth and cleaning a surface. A small number '17' is visible on the surface being cleaned.