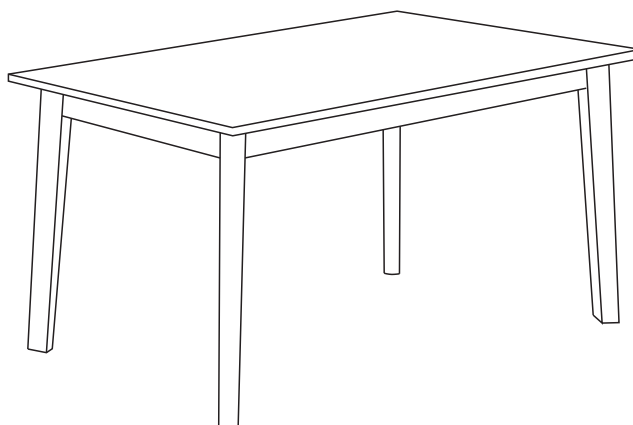


AUSTIN DINING TABLE ASSEMBLY INSTRUCTIONS



IMPORTANT

FOR DOMESTIC USE ONLY

PLEASE READ BEFORE YOU CONTINUE FURTHER

THE PRODUCT YOU HAVE PURCHASED WILL GIVE YOU MANY YEARS OF SERVICE IF YOU FOLLOW THE GUIDELINES FOR ITS SAFE ASSEMBLY AND PERIODIC MAINTENANCE AND CLEANING.

ASSEMBLE ON A SOFT CLEAN SURFACE.

DO NOT USE ANY TOOLS OTHER THAN THOSE SHOWN.

ANY SPANNERS OR ALLEN KEYS REQUIRED ARE INCLUDED WITH THE FITTINGS KIT.

DO NOT FOR ANY REASON USE A POWER TOOL TO ASSEMBLE THIS PRODUCT. ITS USE WILL INVALIDATE ANY CLAIM YOU MAY HAVE AND COULD MAKE THIS PRODUCT UNSAFE.

DEPENDING ON THE AMOUNT OF USE THIS PRODUCT RECEIVES IT MAY BE NECESSARY TO TIGHTEN UP THE FIXINGS FROM TIME TO TIME.

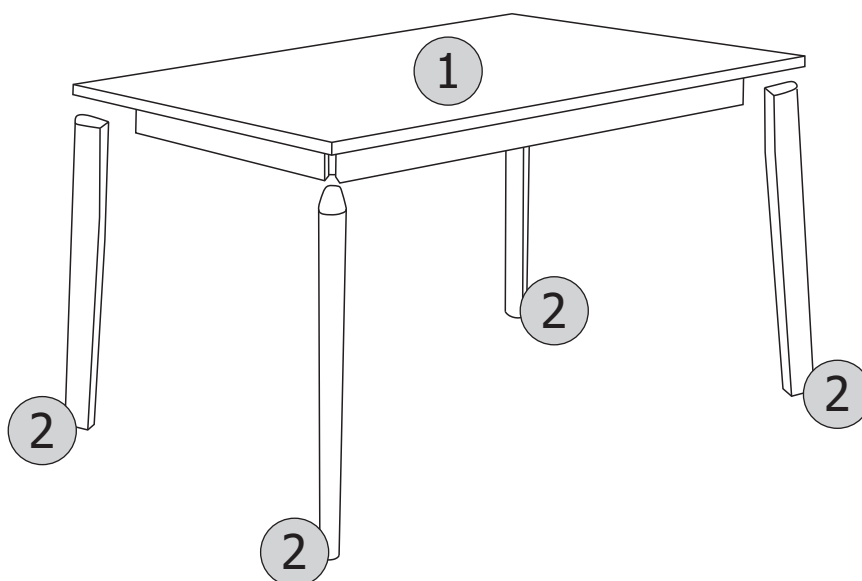
THIS IS COMPLETELY NORMAL FOR ANY FLAT PACK FURNITURE.

DO NOT OVERTIGHTEN FIXINGS.

FOR CLEANING, YOU MAY USE A DAMP CLOTH (NOT WET). DO NOT USE POLISH, DETERGENT OR CHEMICAL CLEANERS.

THE SURFACE OF THIS ITEM IS NOT HEAT RESISTANT. ALWAYS USE A PLACE MAT UNDER HOT OR COLD ITEMS TO PREVENT MARKING.





Please check that you have all the parts listed before you start assembling. If you do find that something is missing, do not continue assembly. Please contact your supplier immediately.



PART LIST

Part Number	Part Code	Part Description	Quantity	Carton
1	S400-403-068-PU1-01T	Table Top	1	1/1
2	S400-403-068-PU1-02T	Table Legs	4	1/1

HARDWARE LIST

No.	Part Name		Qty	Carton
A	M6 x 60mm JCBC		8	1
B	Spring Washer M6 x 13mm		8	1
C	Flat Washer M6 x 18mm		8	1
D	Allen Key M4 x 65mm		1	1

STEP 1

PARTS REQUIRED

1 - TABLE TOP x1

2 - TABLE LEGS x4

HARDWARE REQUIRED

A  08

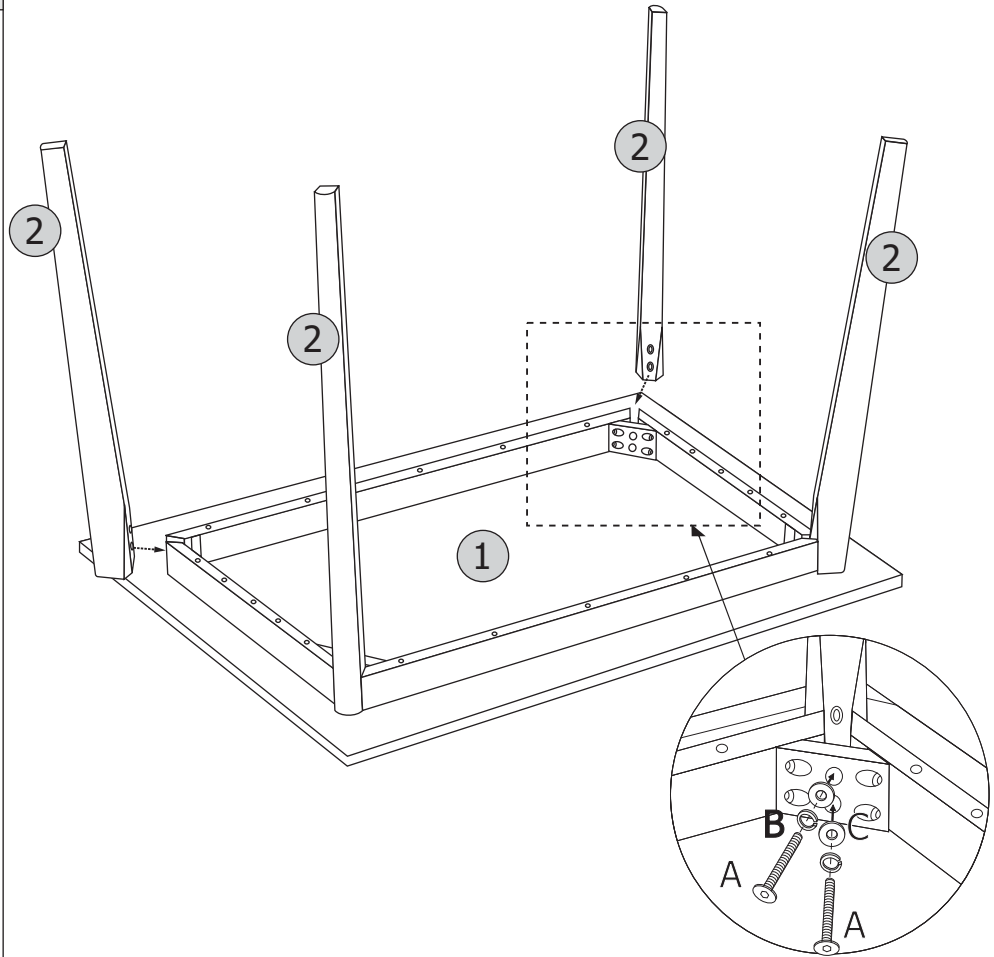
B  08

C  08

TOOLS REQUIRED



REPEAT THIS ASSEMBLY FOR EACH LEG

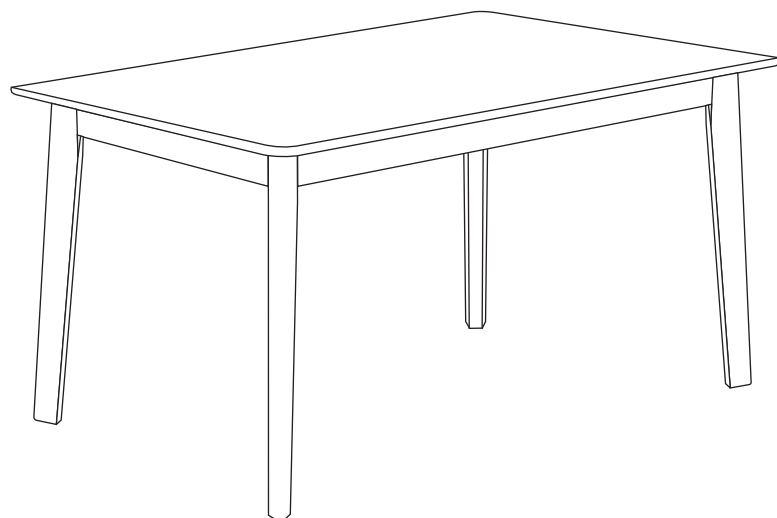


STEP 2

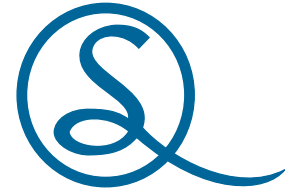
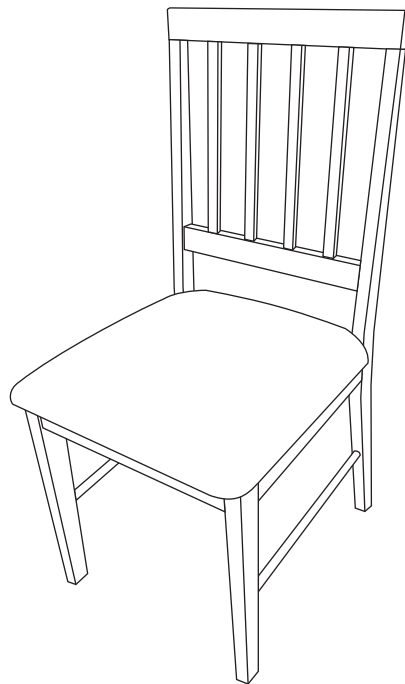
PARTS REQUIRED

HARDWARE REQUIRED

TOOLS REQUIRED



AUSTIN DINING CHAIR ASSEMBLY INSTRUCTIONS



IMPORTANT FOR DOMESTIC USE ONLY

PLEASE READ BEFORE YOU CONTINUE FURTHER

THE PRODUCT YOU HAVE PURCHASED WILL GIVE YOU MANY YEARS OF SERVICE IF YOU FOLLOW THE GUIDELINES FOR ITS SAFE ASSEMBLY AND PERIODIC MAINTENANCE AND CLEANING.

ASSEMBLE ON A SOFT CLEAN SURFACE.

DO NOT USE ANY TOOLS OTHER THAN THOSE SHOWN.

ANY SPANNERS OR ALLEN KEYS REQUIRED ARE INCLUDED WITH THE FITTINGS KIT.

DO NOT FOR ANY REASON USE A POWER TOOL TO ASSEMBLE THIS PRODUCT. ITS USE WILL INVALIDATE ANY CLAIM YOU MAY HAVE AND COULD MAKE THIS PRODUCT UNSAFE.

DEPENDING ON THE AMOUNT OF USE THIS PRODUCT RECEIVES IT MAY BE NECESSARY TO TIGHTEN UP THE FIXINGS FROM TIME TO TIME.

THIS IS COMPLETELY NORMAL FOR ANY FLAT PACK FURNITURE.

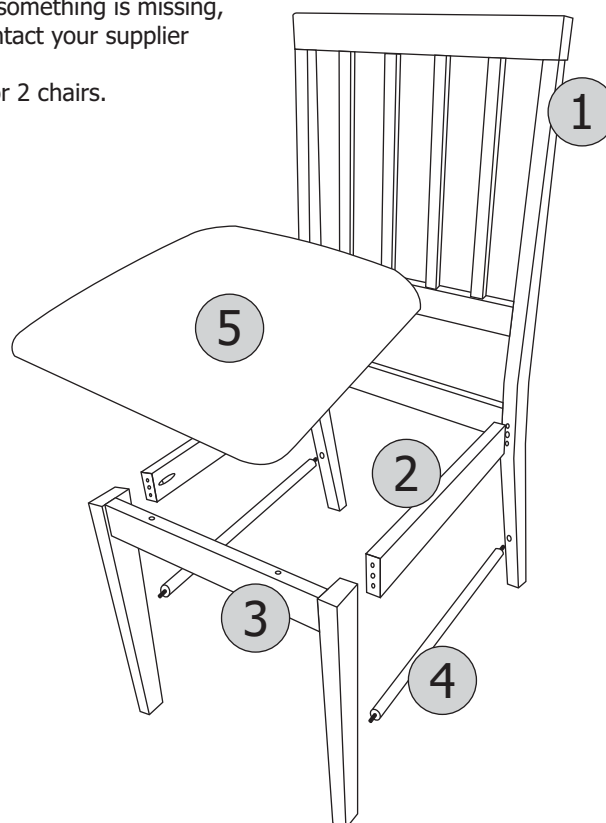
DO NOT OVERTIGHTEN FIXINGS.

FOR CLEANING, YOU MAY USE A DAMP CLOTH (NOT WET). DO NOT USE POLISH, DETERGENT OR CHEMICAL CLEANERS.

THE SURFACE OF THIS ITEM IS NOT HEAT RESISTANT. ALWAYS USE A PLACE MAT UNDER HOT OR COLD ITEMS TO PREVENT MARKING.

Please check that you have all the parts listed before you start assembling. If you do find that something is missing, do not continue assembly. Please contact your supplier immediately.







The parts and hardware below are for 2 chairs.



PART LIST

Part Number	Part Code	Part Description	Quantity	Carton
1	S400-402-144-PU1-01C	Chair Back	2	1/1
2	S400-402-144-PU1-02C	Side Stretcher	4	1/1
3	S400-402-144-PU1-03C	Front Section	2	1/1
4	S400-402-144-PU1-04C	Bottom Stretcher	4	1/1
5	S400-402-144-PU1-05C	Cushion Seat	2	1/1

HARDWARE LIST

No.	Part Name		Qty	Carton
A	M6 x 50mm JCBC		12	1
B	Spring Washer M6 x 13mm		12	1
C	Flat Washer M6 x 13mm		12	1
D	M4 x 32mm CSK Screw		16	1
E	Wood Dowel M8 x 30mm		12	1
F	Allen Key M4 x 107mm Ball Head		1	1

STEP 1

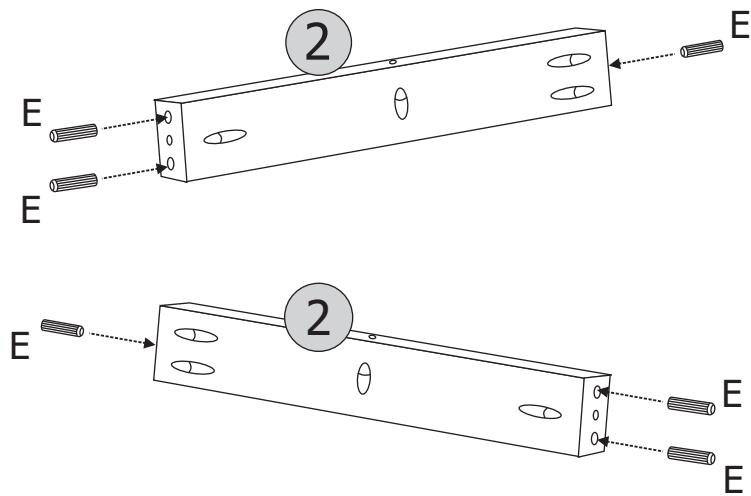
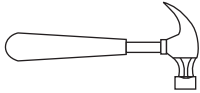
PARTS REQUIRED

2 - SIDE STRETCHER x2

HARDWARE REQUIRED

E  06

TOOLS REQUIRED



STEP 2

PARTS REQUIRED

1 - CHAIR BACK x1

2 - SIDE STRETCHER x2

4 - BOTTOM STRETCHER x2

HARDWARE REQUIRED

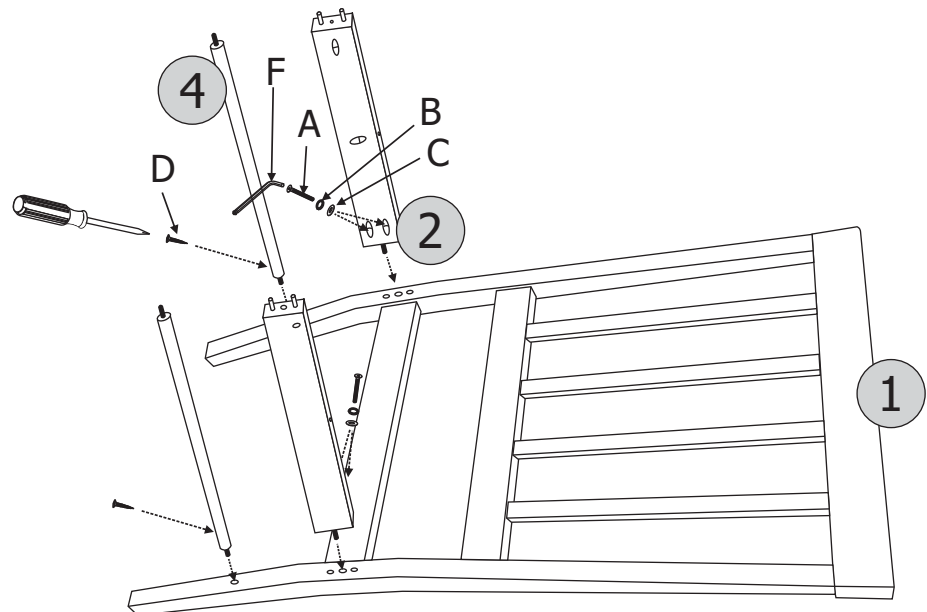
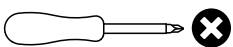
A  04

B  04

C  04

D  02

TOOLS REQUIRED

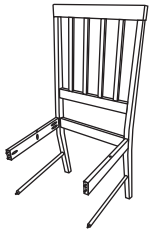


Important
Please **do not** fully tighten
the screws before **STEP 3 !!**





STEP 3

PARTS REQUIRED

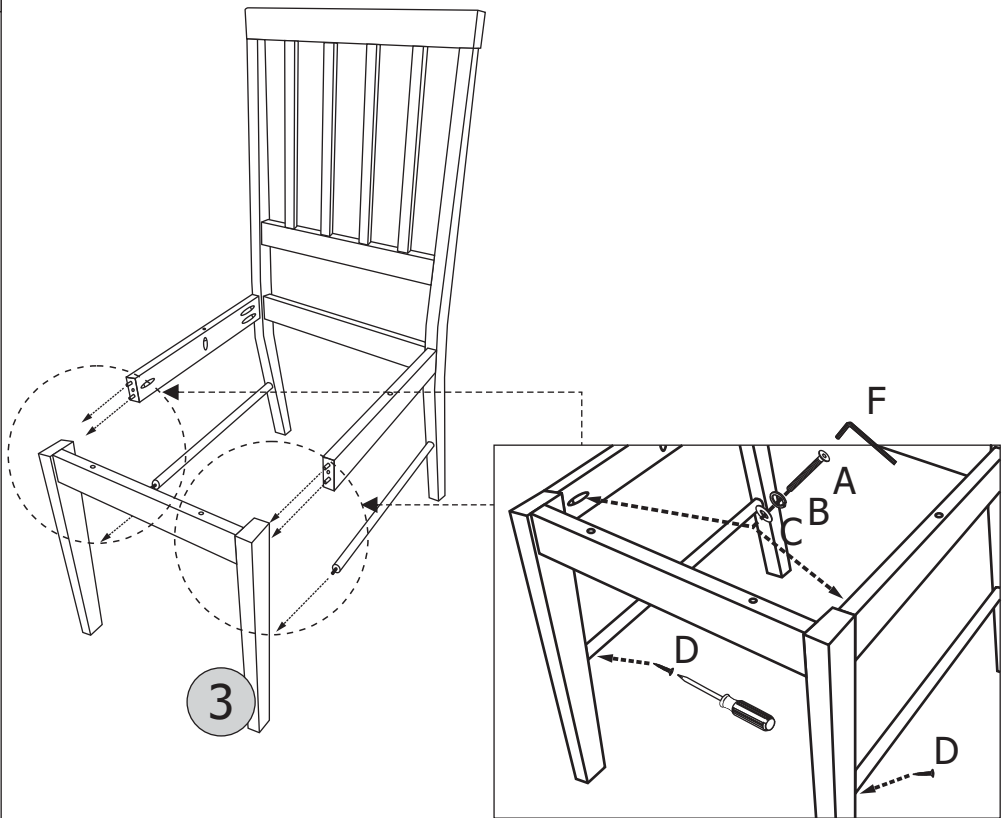
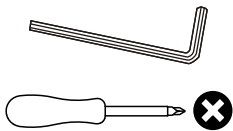
3 - FRONT SECTION x1



HARDWARE REQUIRED

- A  02
- B  02
- C  02
- D  02

TOOLS REQUIRED



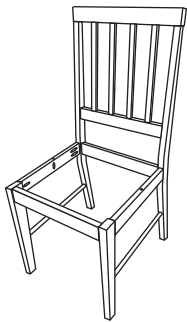
Important

Please now fully tighten **all** bolts.


STEP 4

PARTS REQUIRED

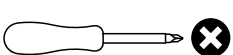
5 - CUSHION SEAT x1



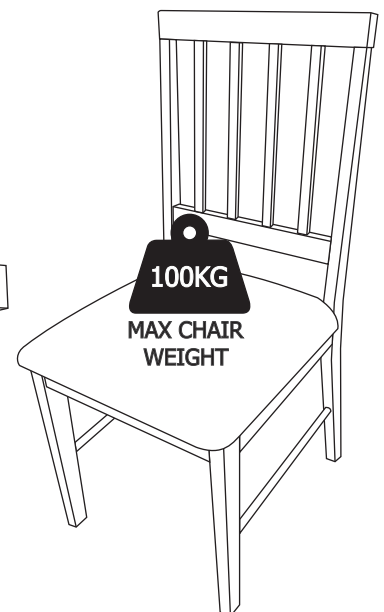
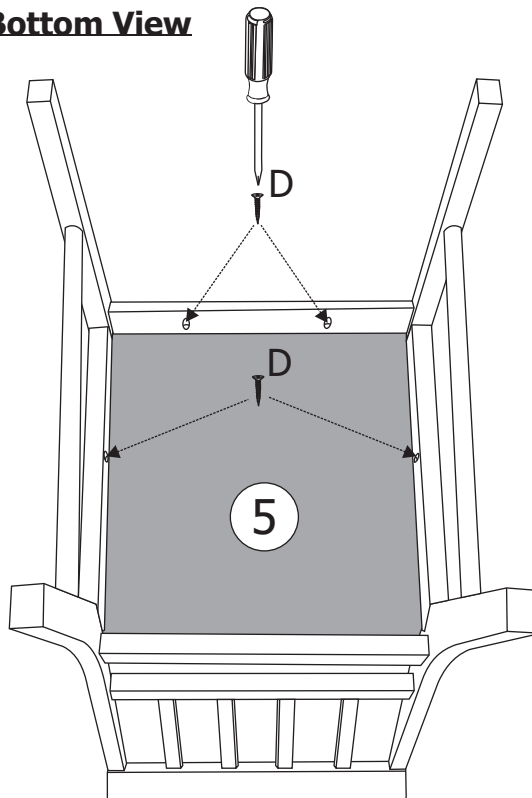
HARDWARE REQUIRED

- D  04

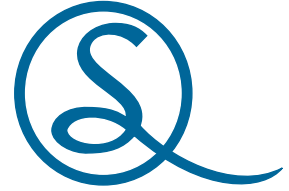
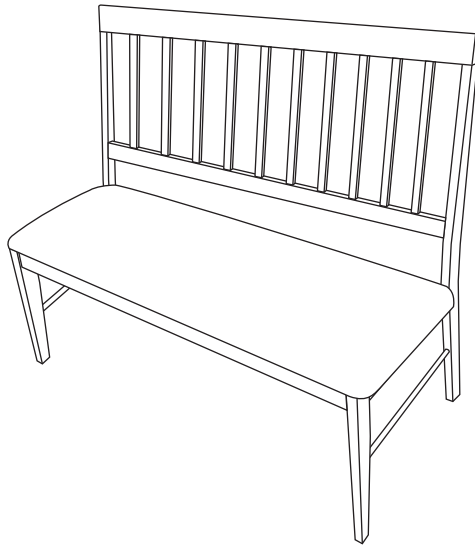
TOOLS REQUIRED



Bottom View



AUSTIN DINING BENCH ASSEMBLY INSTRUCTIONS



IMPORTANT

FOR DOMESTIC USE ONLY

PLEASE READ BEFORE YOU CONTINUE FURTHER

THE PRODUCT YOU HAVE PURCHASED WILL GIVE YOU MANY YEARS OF SERVICE IF YOU FOLLOW THE GUIDELINES FOR ITS SAFE ASSEMBLY AND PERIODIC MAINTENANCE AND CLEANING.

ASSEMBLE ON A SOFT CLEAN SURFACE.

DO NOT USE ANY TOOLS OTHER THAN THOSE SHOWN.

ANY SPANNERS OR ALLEN KEYS REQUIRED ARE INCLUDED WITH THE FITTINGS KIT.

DO NOT FOR ANY REASON USE A POWER TOOL TO ASSEMBLE THIS PRODUCT. ITS USE WILL INVALIDATE ANY CLAIM YOU MAY HAVE AND COULD MAKE THIS PRODUCT UNSAFE.

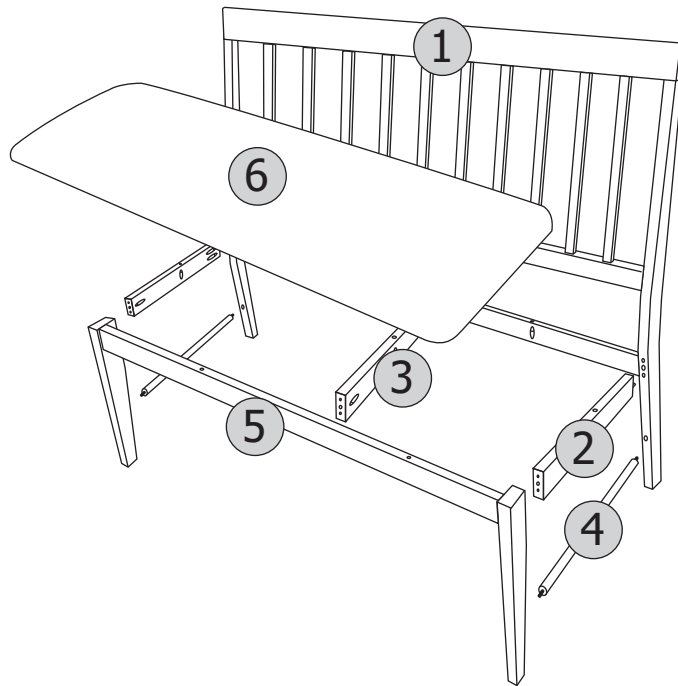
DEPENDING ON THE AMOUNT OF USE THIS PRODUCT RECEIVES IT MAY BE NECESSARY TO TIGHTEN UP THE FIXINGS FROM TIME TO TIME. THIS IS COMPLETELY NORMAL FOR ANY FLAT PACK FURNITURE.

DO NOT OVERTIGHTEN FIXINGS.

FOR CLEANING, YOU MAY USE A DAMP CLOTH (NOT WET). DO NOT USE POLISH, DETERGENT OR CHEMICAL CLEANERS.

THE SURFACE OF THIS ITEM IS NOT HEAT RESISTANT. ALWAYS USE A PLACE MAT UNDER HOT OR COLD ITEMS TO PREVENT MARKING.







Please check that you have all the parts listed before you start assembling. If you do find that something is missing, do not continue assembly. Please contact your supplier immediately.



PART LIST

<u>Part Number</u>	<u>Part Code</u>	<u>Part Description</u>	<u>Quantity</u>	<u>Carton</u>
1	S400-420-011-PU1-01B	Chair Back	1	1/1
2	S400-420-011-PU1-02B	Side Stretcher	2	1/1
3	S400-420-011-PU1-03B	Center Stretcher	1	1/1
4	S400-420-011-PU1-04B	Bottom Stretcher	2	1/1
5	S400-420-011-PU1-05B	Front Section	1	1/1
6	S400-420-011-PU1-06B	Cushion Seat	1	1/1

HARDWARE LIST

<u>No.</u>	<u>Part Name</u>		<u>Qty</u>	<u>Carton</u>
A	M6 x 50mm JCBC		9	1
B	Spring Washer M6 x 13mm		9	1
C	Flat Washer M6 x 13mm		9	1
D	M4 x 32mm CSK Screw		11	1
E	Wood Dowel M8 x 30mm		9	1
F	Allen Key M4 x 107mm Ball Head		1	1

STEP 1

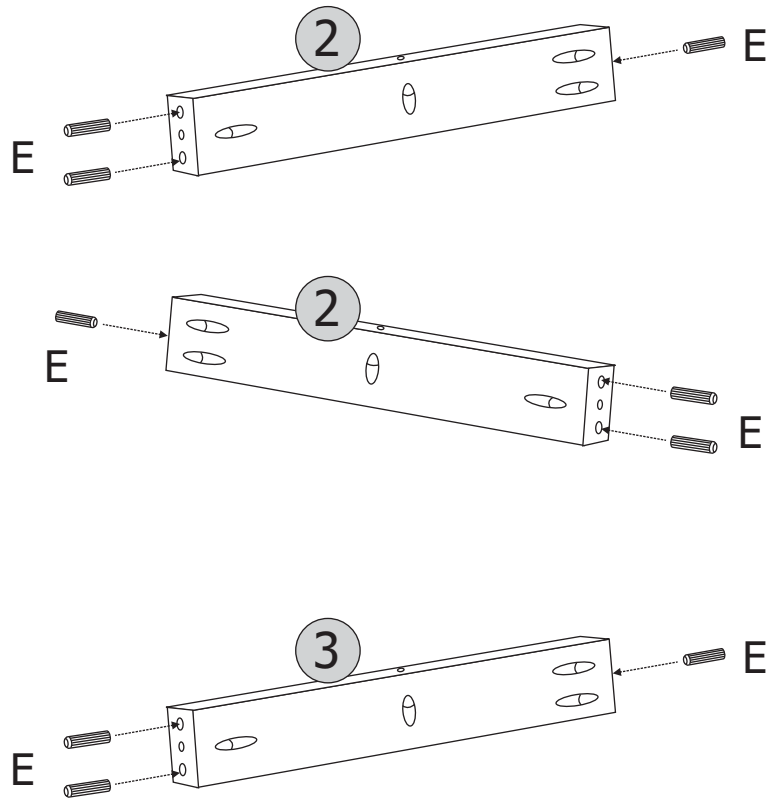
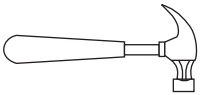
PARTS REQUIRED

- 2. SIDE STRETCHER X2
- 3. CENTER STRETCHER X1

HARDWARE REQUIRED

- E  09

TOOLS REQUIRED







STEP 2

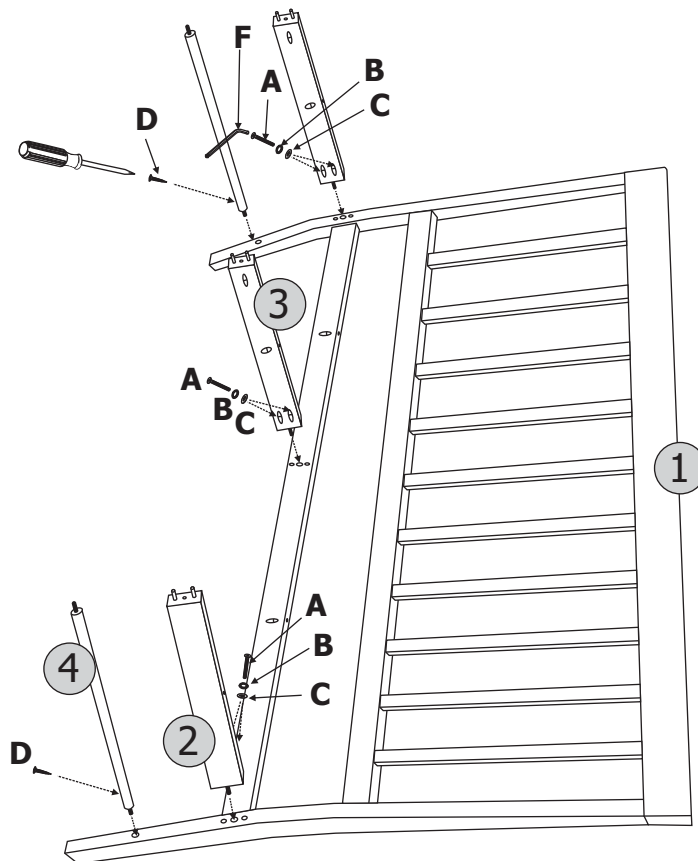
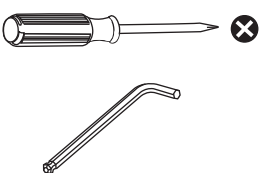
PARTS REQUIRED

- 1. CHAIR BACK X1
- 2. SIDE STRETCHER X2
- 3. CENTER STRETCHER X1
- 4. BOTTOM STRETCHER X2

HARDWARE REQUIRED

- A  06
- B  06
- C  06
- D  02

TOOLS REQUIRED



Important
Please **do not** fully tighten
the screws before **STEP 3!!**

STEP 3

PARTS REQUIRED

5. FRONT SECTION X1



HARDWARE REQUIRED

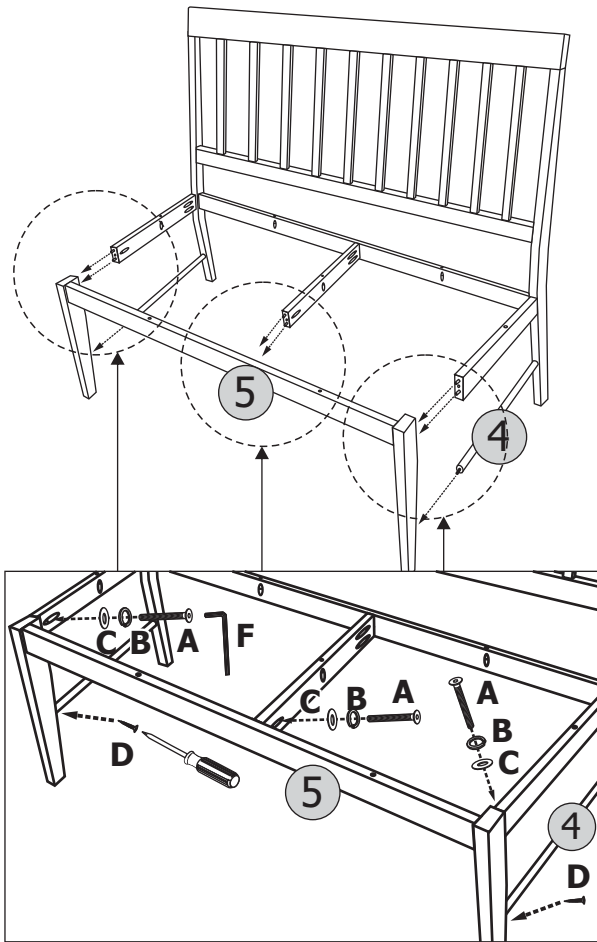
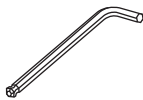
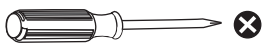
A  03

B  03

C  03

D  02

TOOLS REQUIRED

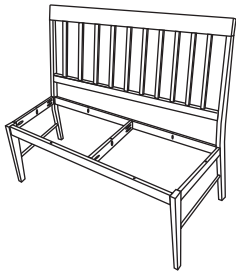


Important
Please now fully tighten
all bolts.

STEP 4

PARTS REQUIRED

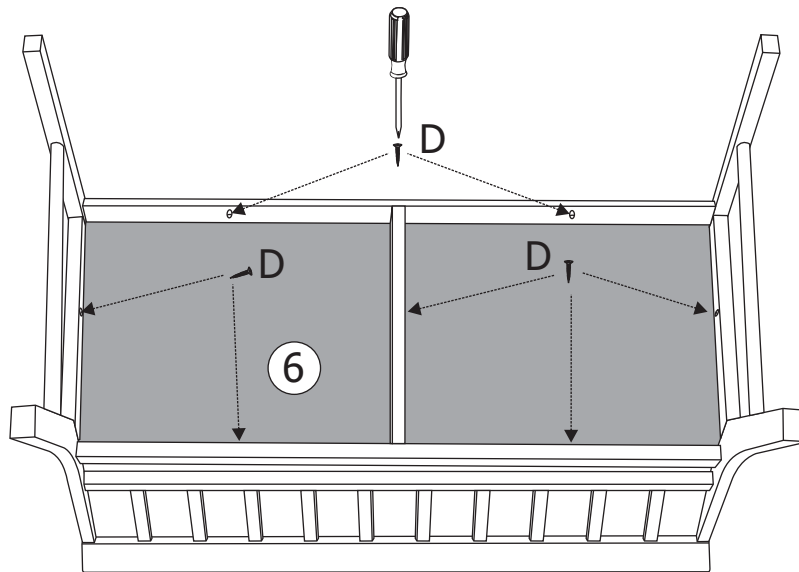
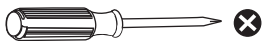
6. CUSHION SEAT X1



HARDWARE REQUIRED

D  07

TOOLS REQUIRED



Bottom View

