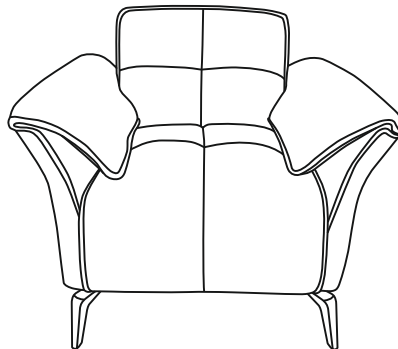


# GREY FABRIC AMALFI 1 SEATER SOFA ASSEMBLY INSTRUCTIONS



**MAX CHAIR  
WEIGHT**

**FOR DOMESTIC USE ONLY  
IMPORTANT**

**PLEASE READ BEFORE YOU CONTINUE FURTHER**

THE PRODUCT YOU HAVE PURCHASED WILL GIVE YOU MANY YEARS OF SERVICE IF YOU FOLLOW THE GUIDELINES FOR ITS SAFE ASSEMBLY AND PERIODIC MAINTENANCE AND CLEANING .

ASSEMBLE ON A SOFT CLEAN SURFACE

DO NOT USE ANY TOOLS OTHER THAN THOSE SHOWN.

ANY SPANNERS OR ALLEN KEYS REQUIRED ARE INCLUDED WITH THE FITTINGS KIT.

DO NOT FOR ANY REASON USE A POWER TOOL TO ASSEMBLE THIS PRODUCT. ITS USE WILL INVALIDATE ANY CLAIM YOU MAY HAVE AND COULD MAKE THIS PRODUCT UNSAFE.

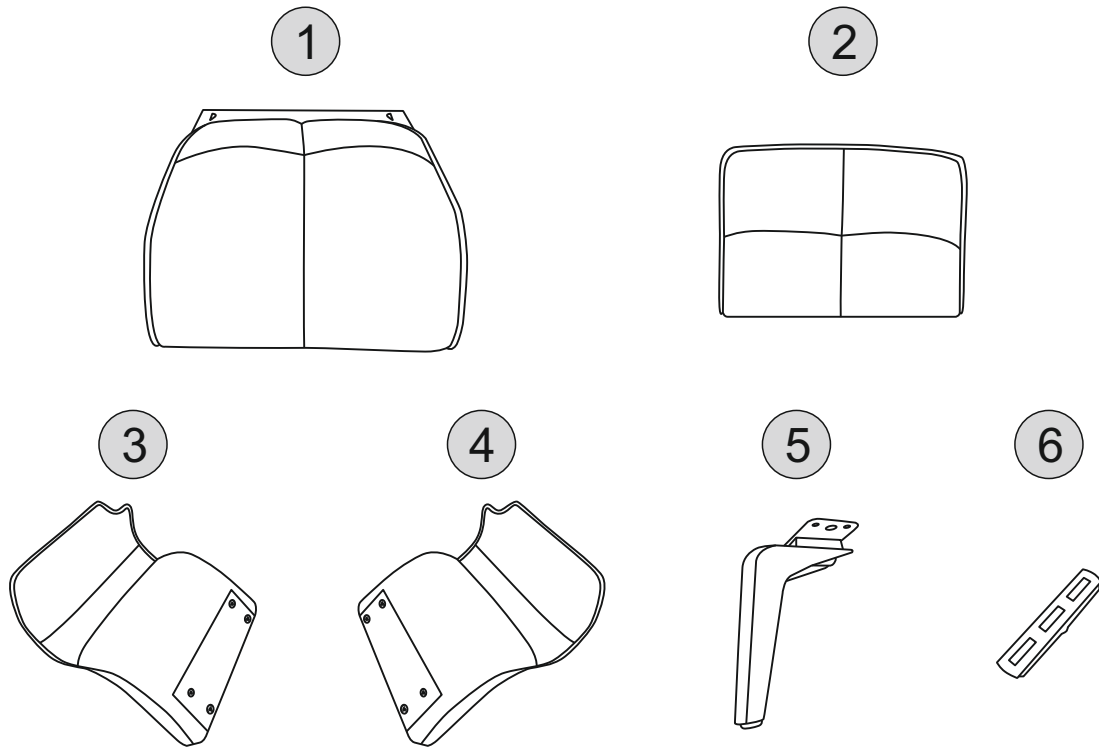
DEPENDING ON THE AMOUNT OF USE THIS PRODUCT RECEIVES IT MAY BE NECESSARY TO TIGHTEN UP THE FIXINGS FROM TIME TO TIME . THIS IS COMPLETELY NORMAL FOR ANY FLAT PACK FURNITURE.

DO NOT OVERTIGHTEN FIXINGS.

FOR CLEANING, YOU MAY USE A DAMP CLOTH (NOT WET) DO NOT USE POLISH, DETERGENT OR CHEMICAL CLEANERS.

THIS PRODUCT MAY STAIN OR MARK IF ALLOWED TO COME INTO CONTACT WITH WET OR DAMP OBJECTS.




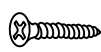
THE SURFACE OF THIS ITEM IS NOT HEAT RESISTANT. ALWAYS USE A PLACE MAT UNDER HOT OR COLD ITEMS TO PREVENT MARKING.



## PARTS LIST

Part Number	Part Code	Part Description	Quantity	Carton
1	S300-308-074-XA1-01	Sofa	1	1/1
2	S300-308-074-XA1-02	Back	1	1/1
3	S300-308-074-XA1-03	Left armrest	1	1/1
4	S300-308-074-XA1-04	Right armrest	1	1/1
5	S300-308-074-XA1-05	Feet	4	1/1
6	S300-308-074-XA1-06	Insert clamp	2	1/1

## HARDWARE LIST

No.	Part Name		Qty
A	Bolt		08
B	Washers		08
C	Allen Key		01
D	Screw		16

PLEASE CHECK THAT YOU HAVE ALL THE PARTS LISTED BEFORE YOU START ASSEMBLING. IF YOU DO FIND THAT SOMETHING IS MISSING. DO NOT CONTINUE ASSEMBLY. PLEASE CONTACT YOUR SUPPLIER IMMEDIATELY.

# STEP 1

## PARTS REQUIRED

1 - SOFA BED x1

3 - LEFT ARMREST x1

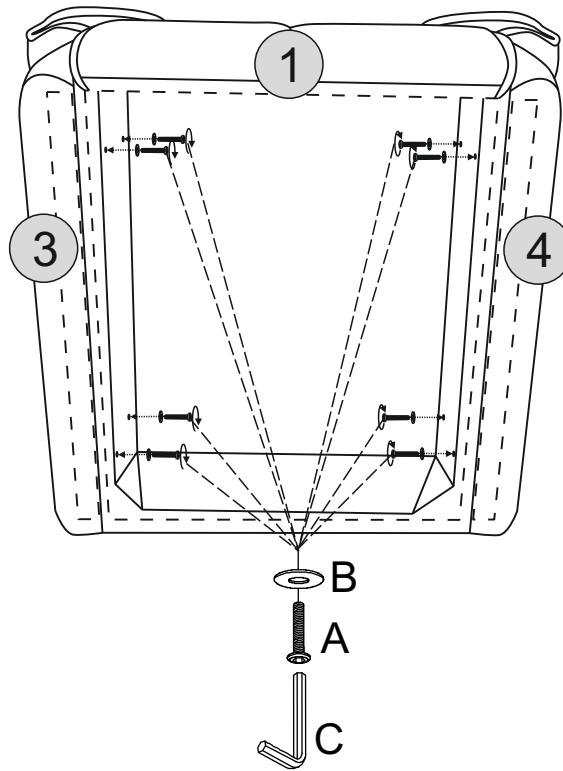
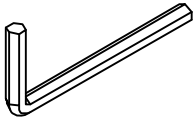
4 - RIGHT ARMREST x1

## HARDWARE REQUIRED

A  08

B  08

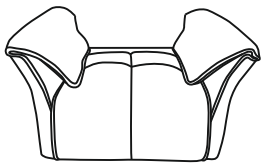
## TOOLS REQUIRED



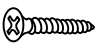
# STEP 2

## PARTS REQUIRED

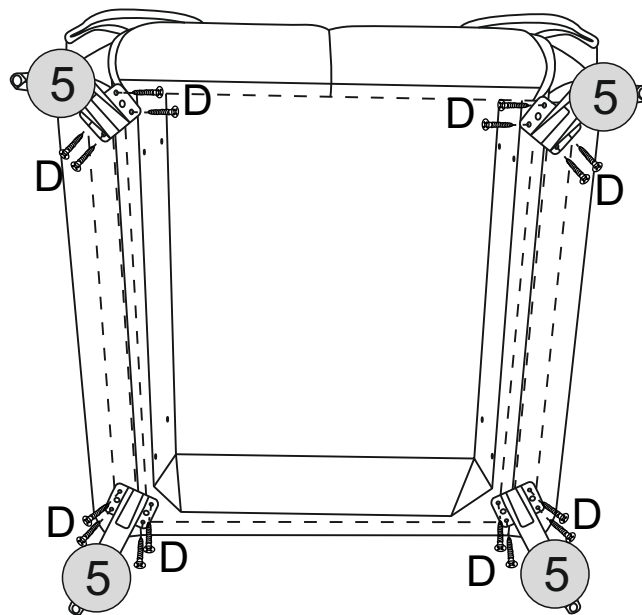
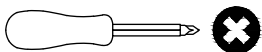
5 - FEET x4



## HARDWARE REQUIRED

D  16

## TOOLS REQUIRED



# STEP 3

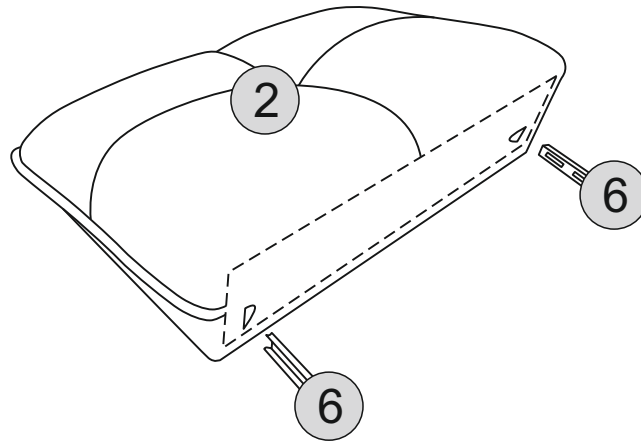
PARTS REQUIRED

2 - BACK	x1
----------	----

6 - INSERT CLAMP	x1
------------------	----

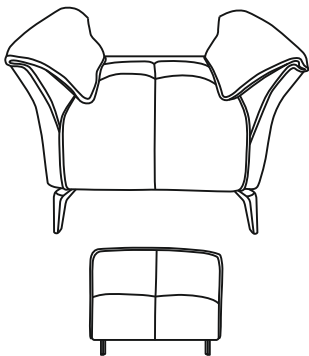
HARDWARE REQUIRED

TOOLS REQUIRED



# STEP 4

PARTS REQUIRED



HARDWARE REQUIRED

TOOLS REQUIRED

