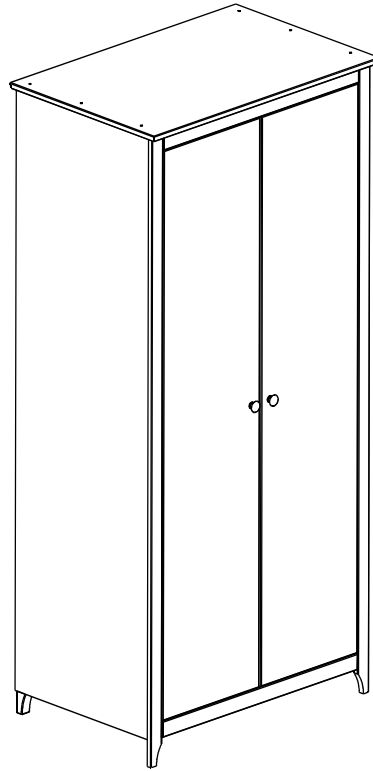


# OSLO 2 DOOR WARDROBE ASSEMBLY INSTRUCTIONS



**IMPORTANT  
FOR DOMESTIC USE ONLY**

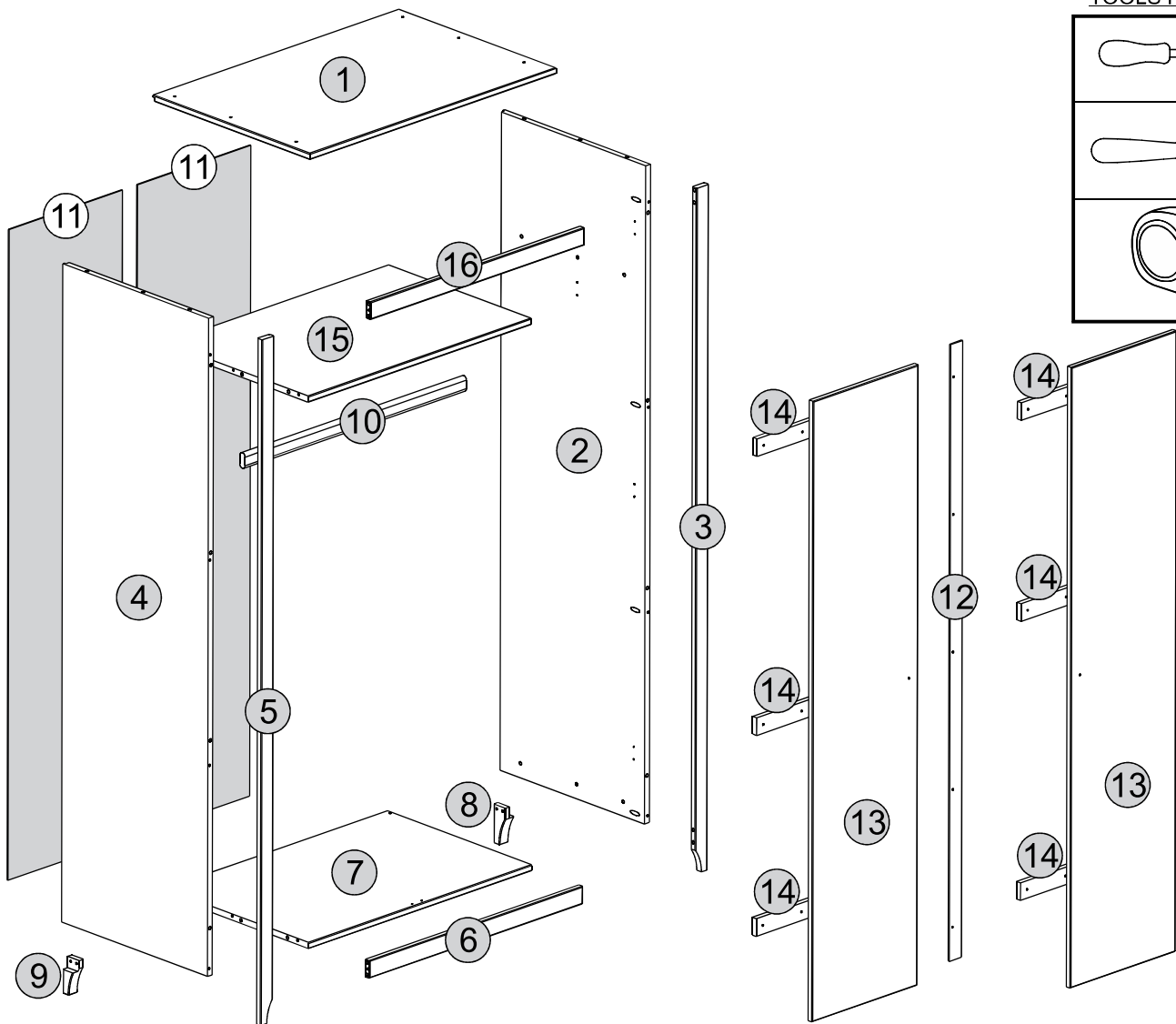
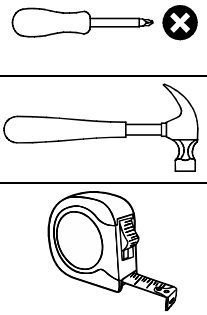
**PLEASE READ BEFORE YOU CONTINUE FURTHER**

## CARE AND MAINTENANCE

After unpacking this product please keep the original packaging in case it needs to be returned for any reason.

- Please ensure all fittings and parts are present before commencing with assembly.
- Never drag or push products as this could cause damage to the joints making it inferior.
- We strongly recommend that you keep children away from your work area.
- We recommend that you lay a blanket or sheet on the floor to avoid damage to both your floor and the product.
- Assemble this product as close to its final position as possible.
- Do not place this product next to a radiator or in direct sunlight.
- Do not drag or push items across your high gloss furniture as this may cause the surface to scratch
- Wood is a natural product and may expand if subjected to damp and may shrink or crack if subjected to heat. Therefore it is recommended that room temperature is maintained, with no sudden temperature fluctuations.
- Make sure any spillage is wiped off immediately.
- Do not place hot or chilled items directly on to the surface, use a place mat or marking will occur.
- For general cleaning use a soft cotton or micro fibre cloth, and do not use detergents of any kind.
- From time to time it may be necessary to tighten fittings, regular inspections should be carried out.
- Do not place on a wet or damp floor as staining may occur to your floor.








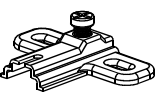
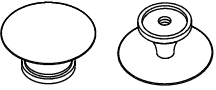
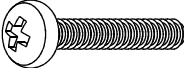
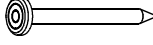

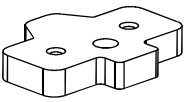
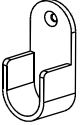
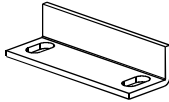
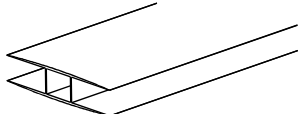



## TOOLS REQUIRED

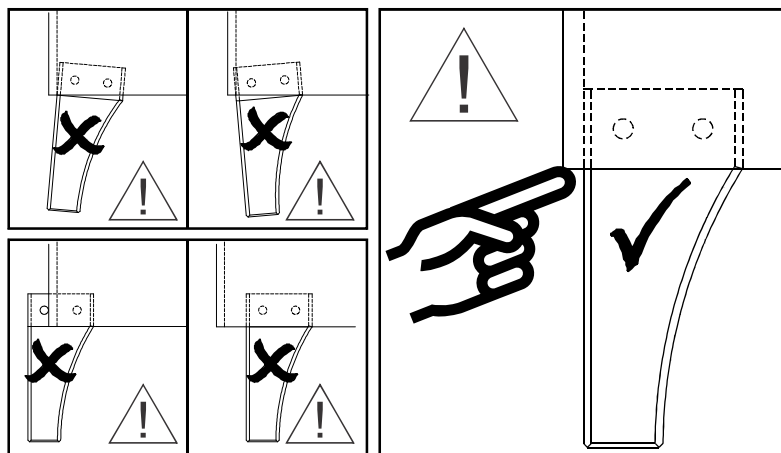
**PARTS LIST*****Please Note:***

The below parts have all been stamped with the part number to help identify them during assembly.

<b>Part Number</b>	<b>Part Code</b>	<b>Part Description</b>	<b>Quantity</b>	<b>Carton</b>
1	S100-101-196-MY1-01	Top Panel	1	2/2
2	S100-101-196-MY1-02	Right Side Panel	1	1/2
3	S100-101-196-MY1-03	Right Front Upright	1	1/2
4	S100-101-196-MY1-04	Left Side Panel	1	1/2
5	S100-101-196-MY1-05	Left Front Upright	1	1/2
6	S100-101-196-MY1-06	Lower Front Crossbeam	1	1/2
7	S100-101-196-MY1-07	Base	1	2/2
8	S100-101-196-MY1-08	Right Back Foot	1	1/2
9	S100-101-196-MY1-09	Left Back Foot	1	1/2
10	S100-101-196-MY1-10	Hanger	1	2/2
11	S100-101-196-MY1-11	Back Panel	2	1/2
12	S100-101-196-MY1-12	Door Strip	1	1/2
13	S100-101-196-MY1-13	Door	2	1/2
14	S100-101-196-MY1-14	Door Crossbeam	6	1/2
15	S100-101-196-MY1-15	Fixed Shelf	1	2/2
16	S100-101-196-MY1-16	Upper Front Crossbeam	1	1/2

**FITTINGS LIST**

<p><b>A</b></p>  <p>Dowel Ø8,0 x 30mm (34x)</p> <p>+/2</p>	<p><b>B</b></p>  <p>Screw Ø3,5 x 30mm (25x)</p> <p>+/1</p>	<p><b>C</b></p>  <p>Flan Head Screw Ø4,0 x 35mm (6x)</p> <p>+/1</p>	<p><b>D</b></p>  <p>Screw Ø4,0 x 40mm (6x)</p> <p>+/1</p>
<p><b>E</b></p>  <p>Screw Ø4,0 x 25mm (30x)</p> <p>+/2</p>	<p><b>F</b></p>  <p>Screw Ø3,5 x 14mm (31x)</p> <p>+/2</p>	<p><b>G</b></p>  <p>Hinge (Door) (6x)</p>	<p><b>H</b></p>  <p>Hinge (Side Panel) (6x)</p>
<p><b>I</b></p>  <p>Metal Knob (2x)</p>	<p><b>J</b></p>  <p>Screw ØM4 x 22mm (2x)</p> <p>+/1</p>	<p><b>K</b></p>  <p>Nail 8 x 8 (40x)</p> <p>+/2</p>	<p><b>L</b></p>  <p>Corner (4x)</p> <p>+/1</p>
<p><b>M</b></p>  <p>Hinge Spacer (6x)</p>	<p><b>N</b></p>  <p>Hanging Rail Support (2x)</p>	<p><b>O</b></p>  <p>Door Stop (1x)</p>	<p><b>P</b></p>  <p>Back Panel Strip 1633mm (1x)</p>
<p><b>Q</b></p>  <p>Strap (1x)</p>	<p><b>R</b></p>  <p>Washer (2x)</p> <p>+/1</p>	<p><b>S</b></p>  <p>Glue (1x)</p>	



**PLEASE USE THE ABOVE EXAMPLE TO ASSEMBLE THE FEET ON STEP 2.**

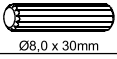
# STEP 1

## PARTS REQUIRED

2 - RIGHT SIDE PANEL x1

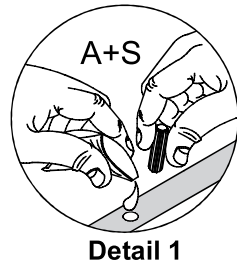
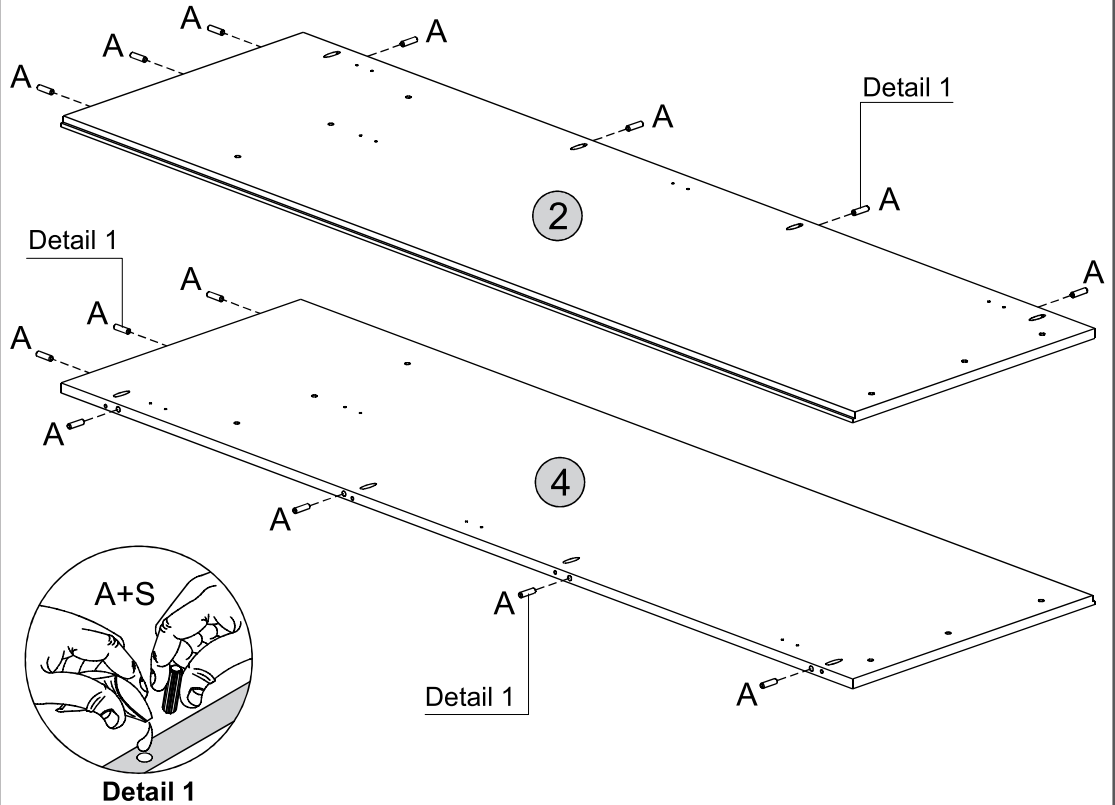
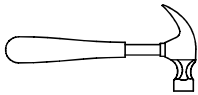
4 - LEFT SIDE PANEL x1

## HARDWARE REQUIRED

A  14  
Ø8.0 x 30mm

S  01  
Glue

## TOOLS REQUIRED



# STEP 2

## PARTS REQUIRED

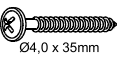
2 - RIGHT SIDE PANEL x1

4 - LEFT SIDE PANEL x1

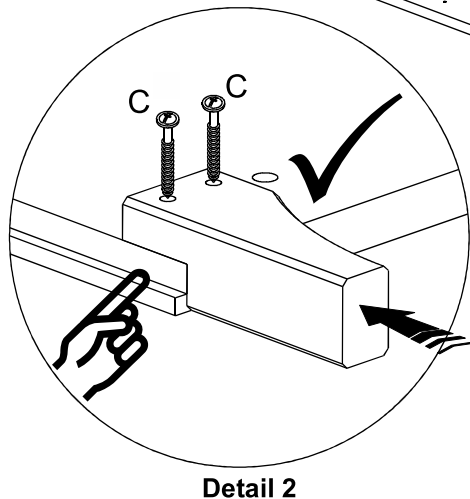
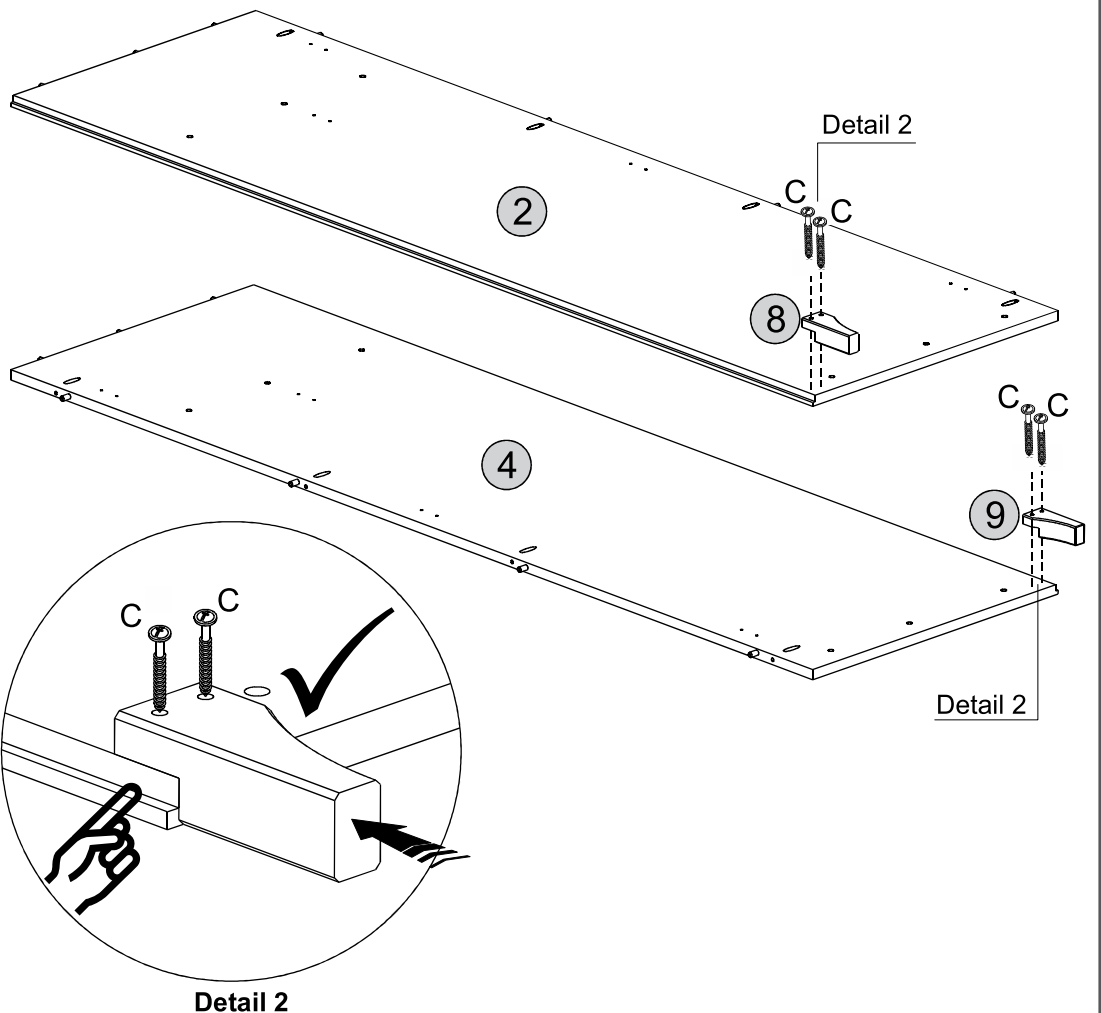
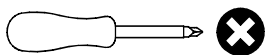
8 - RIGHT BACK FOOT x1

4 - LEFT BACK FOOT x1

## HARDWARE REQUIRED

C  04  
Ø4.0 x 35mm

## TOOLS REQUIRED



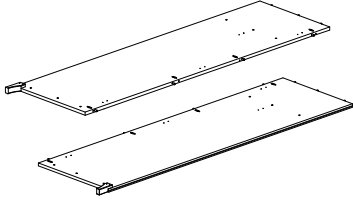


# STEP 3

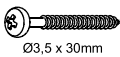
## PARTS REQUIRED

3 - RIGHT FRONT UPRIGHT x1

5 - LEFT FRONT UPRIGHT x1




## HARDWARE REQUIRED

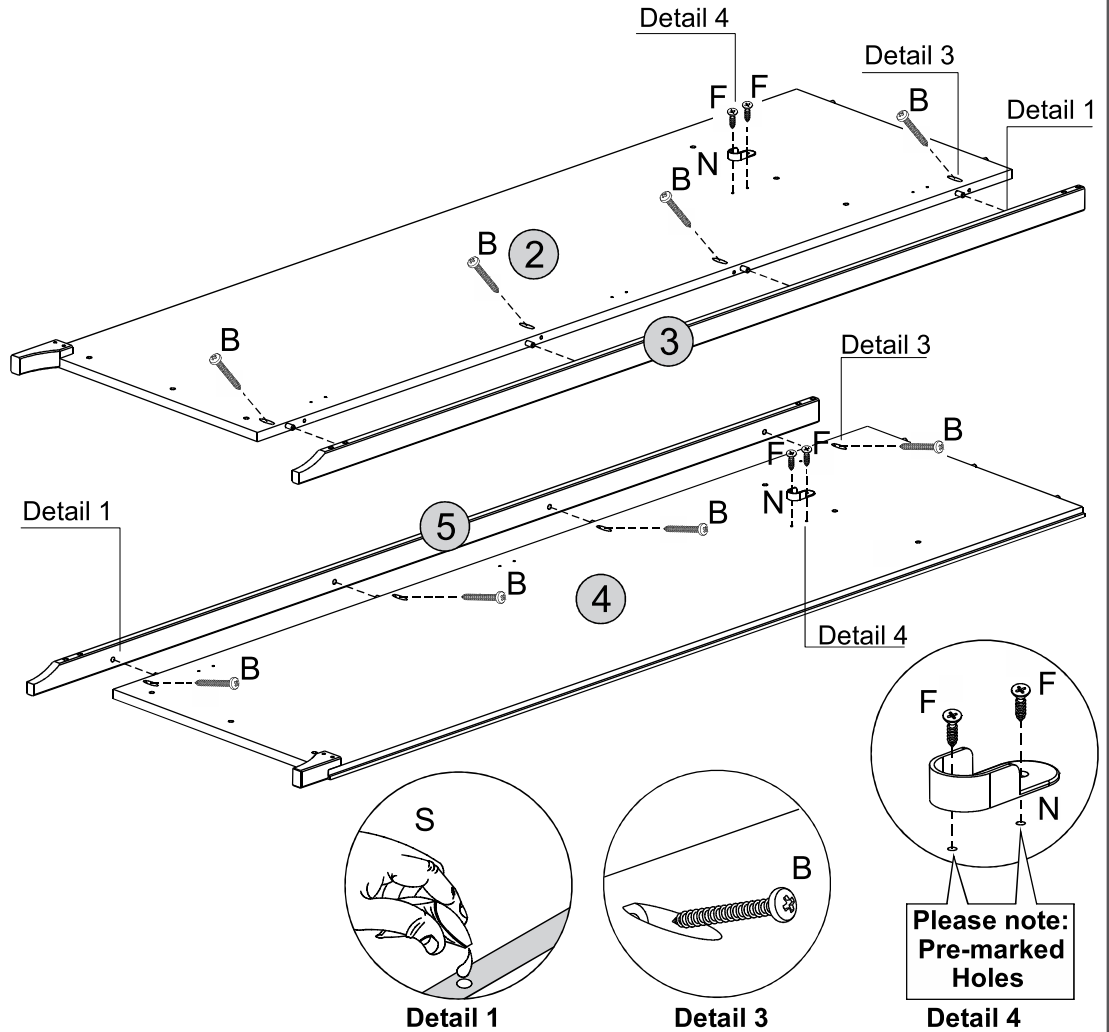
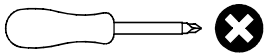
B  08  
Ø3.5 x 30mm

F  04  
Ø3.5 x 14mm

N  02  
Hanger Support

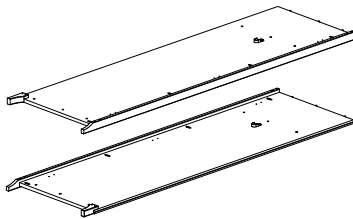
S  01  
Glue

## TOOLS REQUIRED

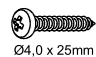


# STEP 4

## PARTS REQUIRED



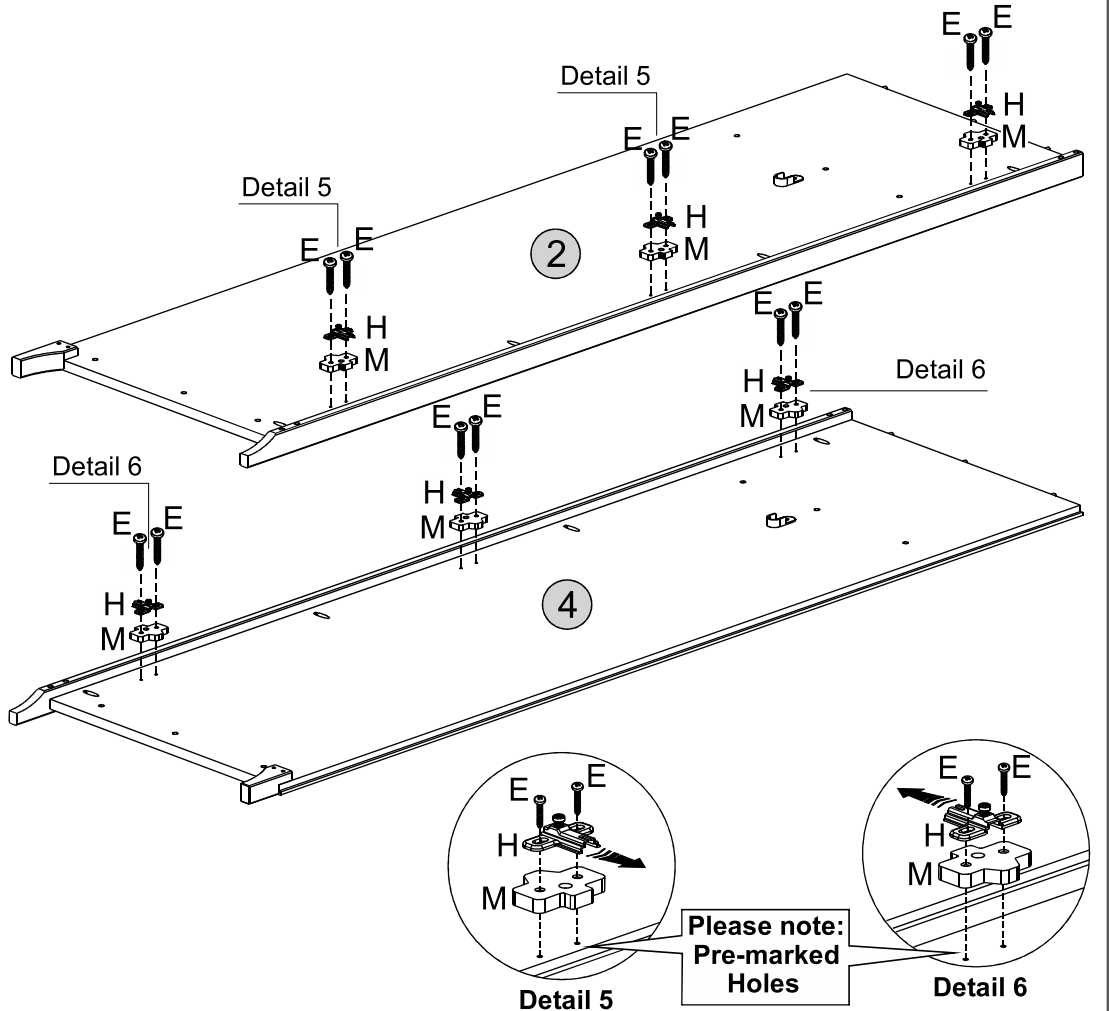
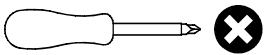
## HARDWARE REQUIRED

E  12  
Ø4.0 x 25mm

H  06  
Hinge (Side Panel) (6x)

M  06  
Hinge Spacer

## TOOLS REQUIRED



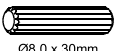
# STEP 5

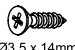
## PARTS REQUIRED

6 - LOWER FRONT CROSSBEAM x1

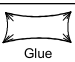
16 - UPPER FRONT CROSSBEAM x1

## HARDWARE REQUIRED

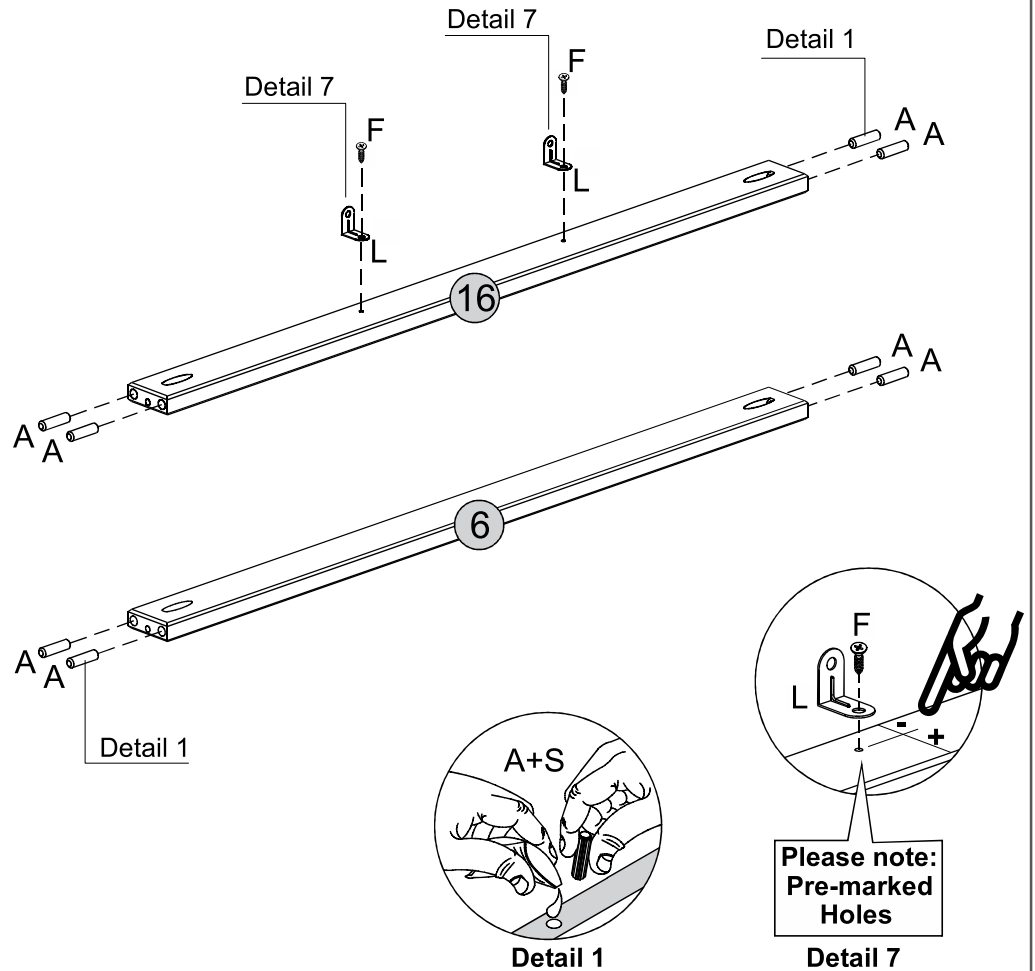
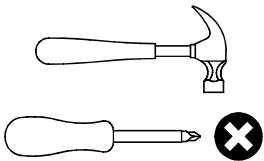
A  08  
Ø8.0 x 30mm

F  02  
Ø3.5 x 14mm

L  02  
Corner

S  01  
Glue

## TOOLS REQUIRED



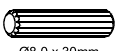
# STEP 6

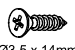
## PARTS REQUIRED

7 - BASE x1

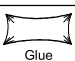
15 - FIXED SHELF x1

## HARDWARE REQUIRED

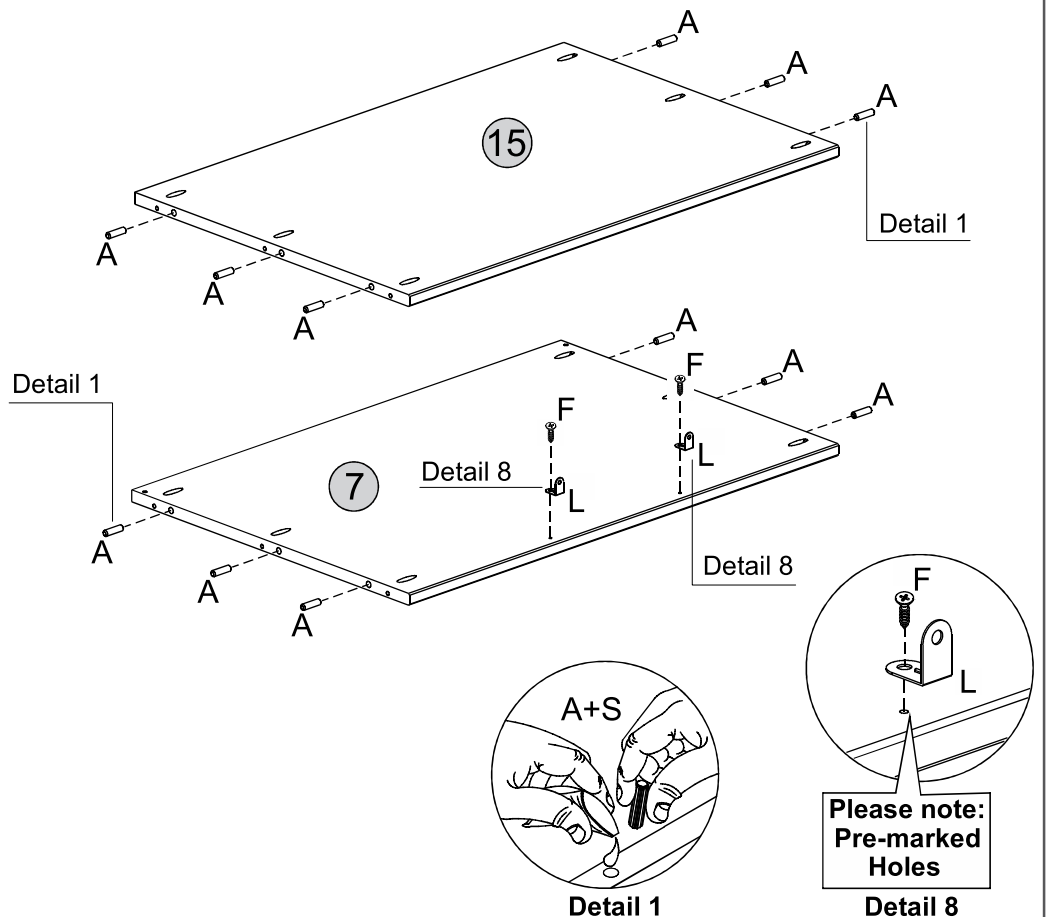
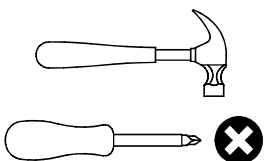
A  12  
Ø8.0 x 30mm

F  02  
Ø3.5 x 14mm

L  02  
Corner

S  01  
Glue

## TOOLS REQUIRED

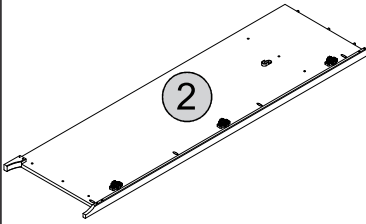


# STEP 7


## PARTS REQUIRED


6 - LOWER FRONT CROSSBEAM x1

16 - UPPER FRONT CROSSBEAM x1

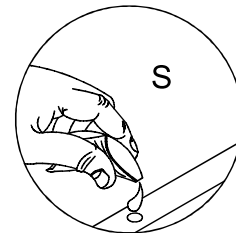
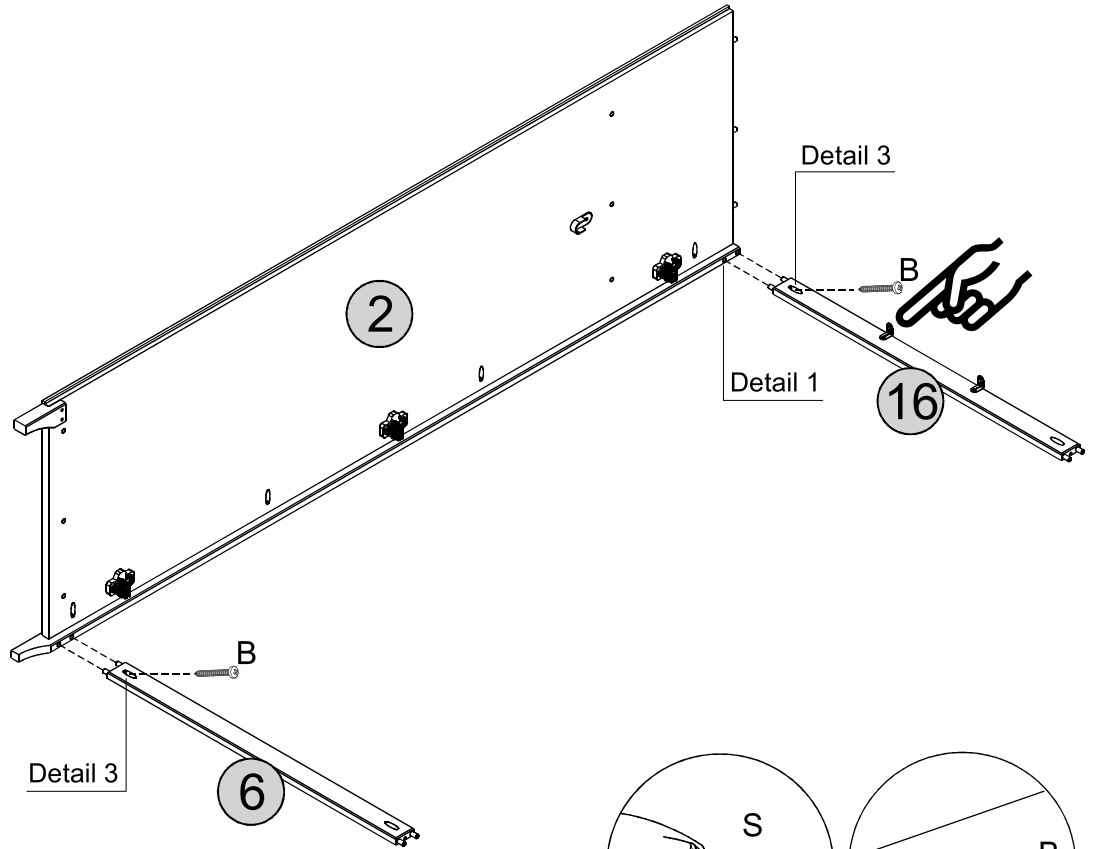
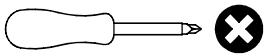


## HARDWARE REQUIRED

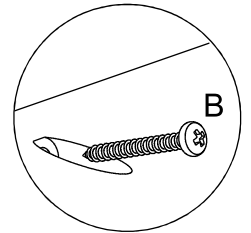
B  02  
Ø3.5 x 30mm

S  01  
Glue

## TOOLS REQUIRED



Detail 1



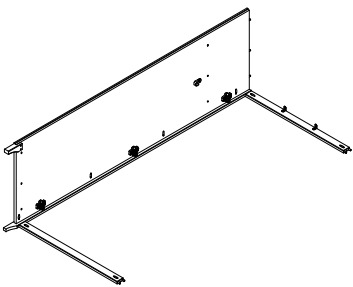
Detail 3

# STEP 8


## PARTS REQUIRED

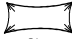
7 - BASE x1

15 - FIXED SHELF x1

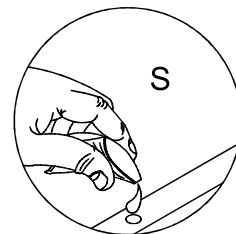
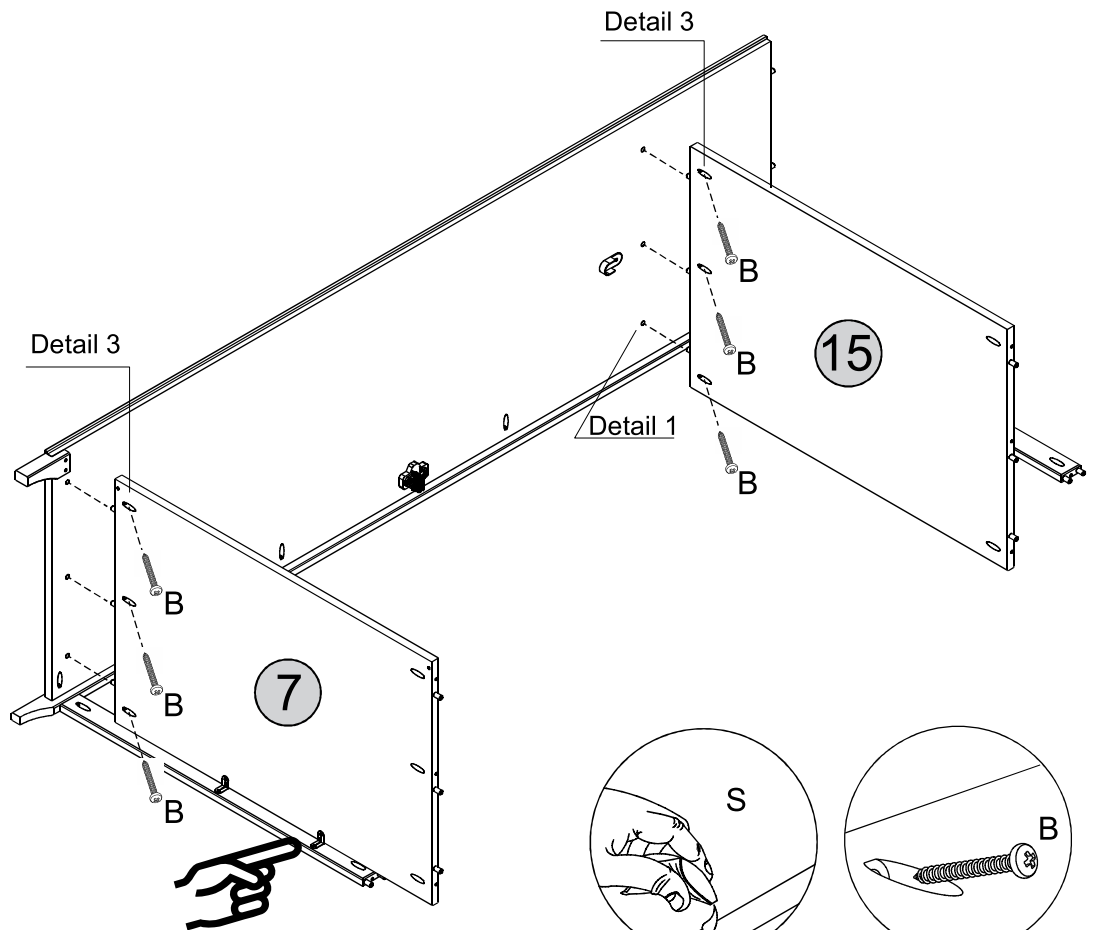
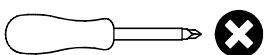


## HARDWARE REQUIRED

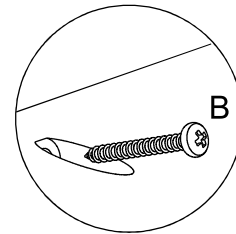
B  06  
Ø3.5 x 30mm

S  01  
Glue

## TOOLS REQUIRED



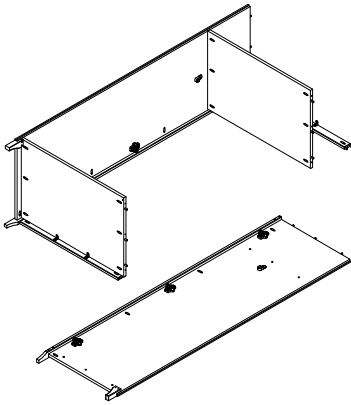
Detail 1



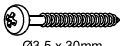
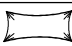
Detail 3

# STEP 9

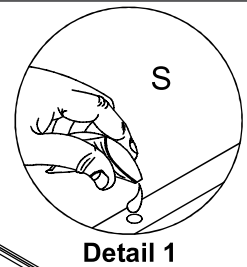
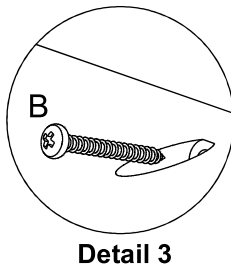
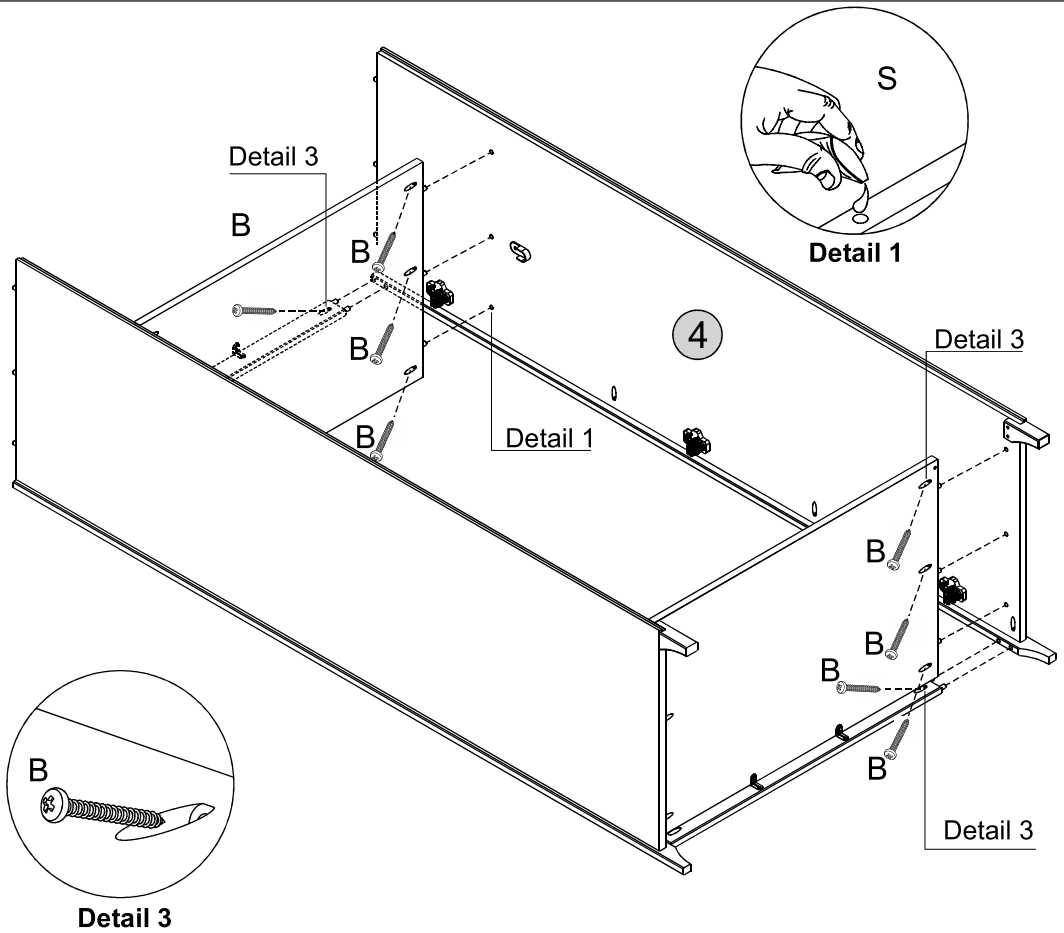
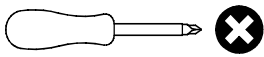
**PARTS REQUIRED**



**HARDWARE REQUIRED**

- B**  **08**  
Ø3.5 x 30mm
- S**  **01**  
Glue

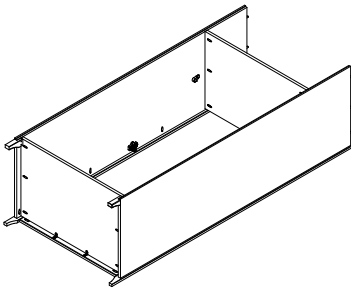
**TOOLS REQUIRED**



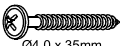


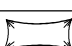
# STEP 10

**PARTS REQUIRED**

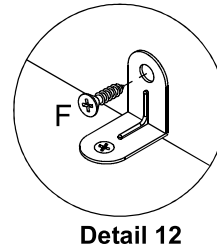
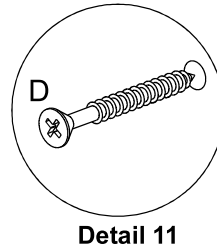
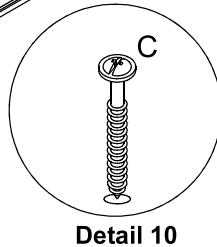
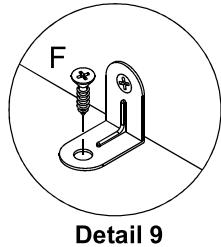
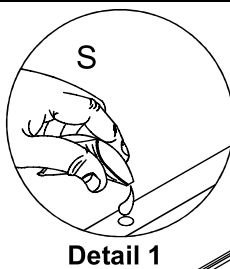
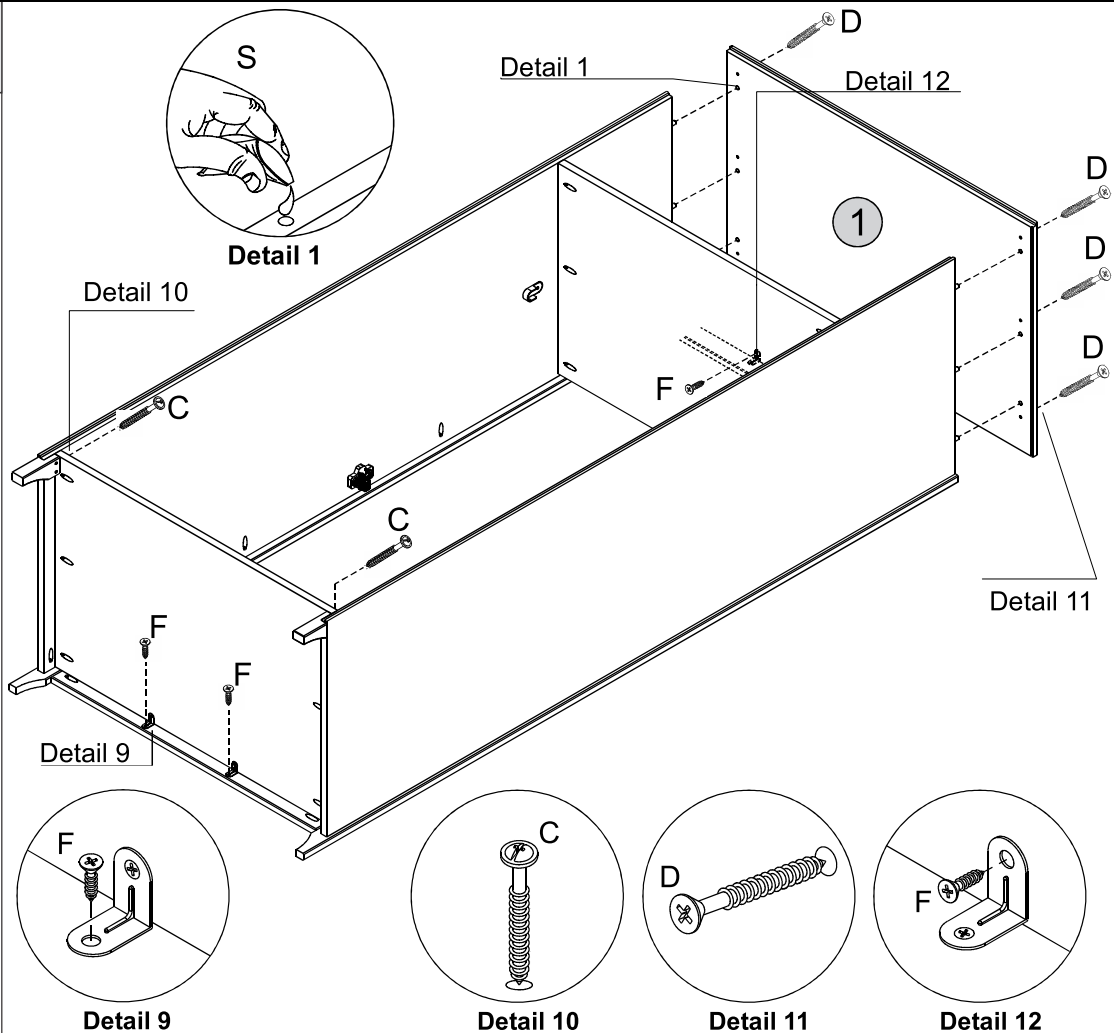
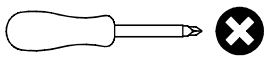
- 1 - TOP PANEL** x1



**HARDWARE REQUIRED**

- C**  **02**  
Ø4.0 x 35mm
- D**  **06**  
Ø4.0 x 40mm
- F**  **04**  
Ø3.5 x 14mm
- S**  **01**  
Glue

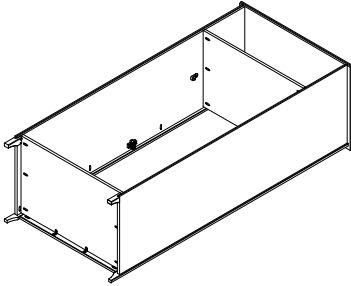
**TOOLS REQUIRED**



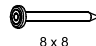
# STEP 11

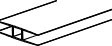
**PARTS REQUIRED**

11 - BACK PANEL x1

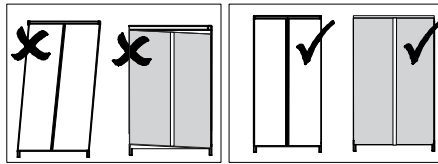
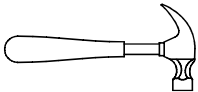


**HARDWARE REQUIRED**

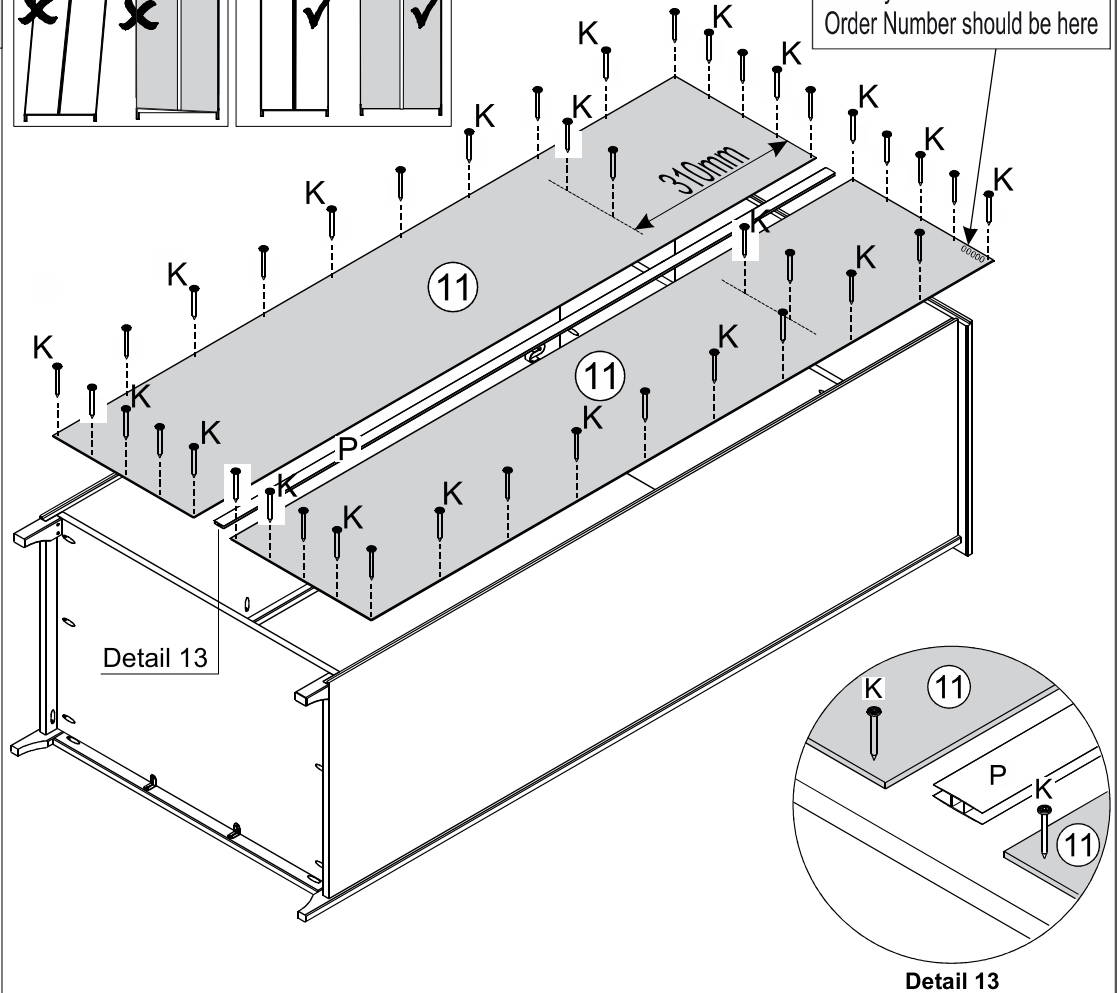
K  40  
8 x 8

P  01  
Back Panel Strip

**TOOLS REQUIRED**

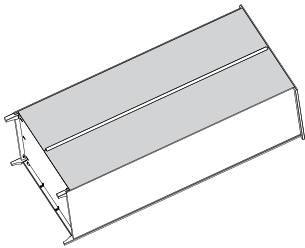


\* For your future reference  
Order Number should be here



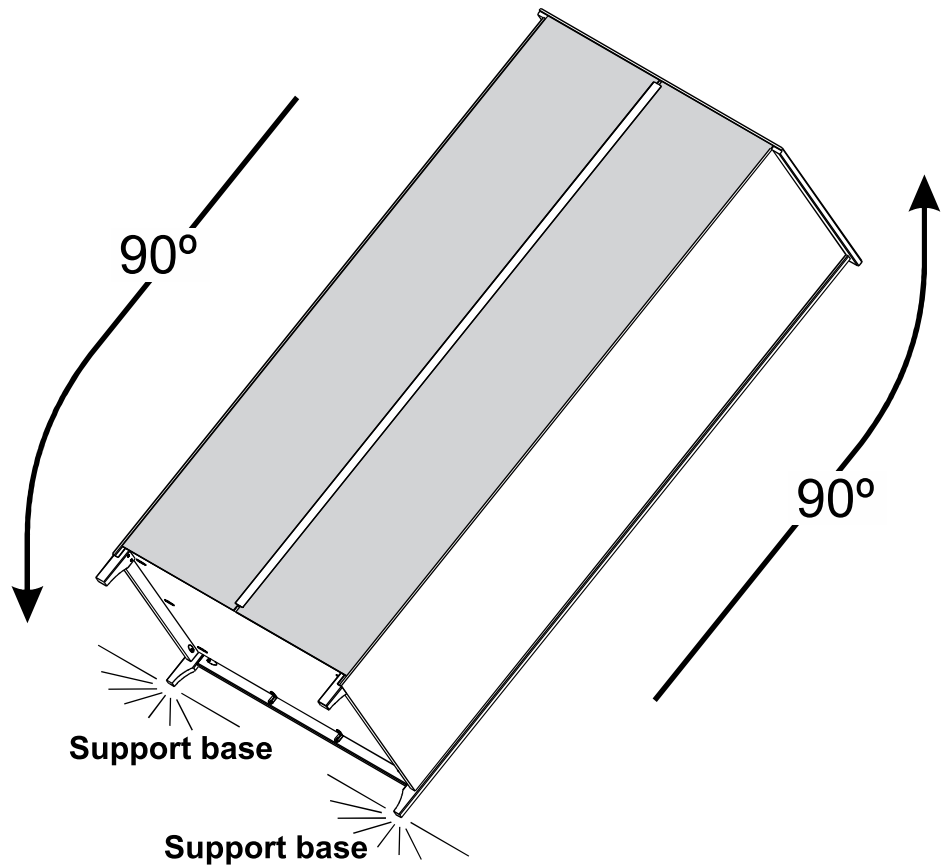
# STEP 12

**PARTS REQUIRED**



**HARDWARE REQUIRED**

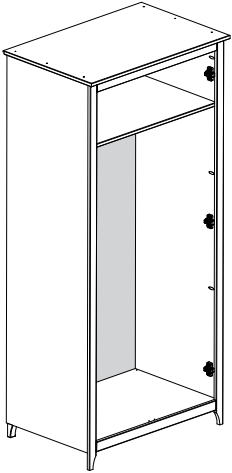
**TOOLS REQUIRED**




# STEP 13


## PARTS REQUIRED

10 - HANGER x1

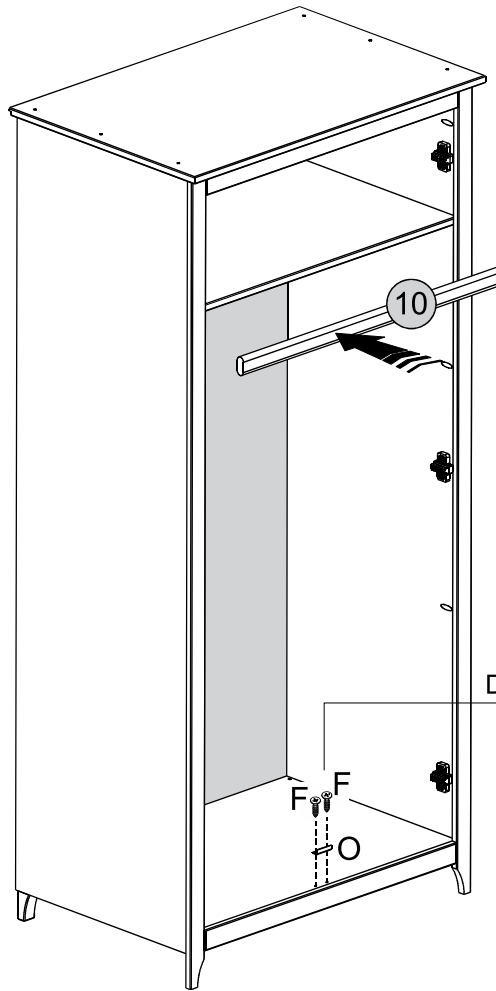
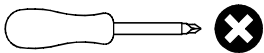


## HARDWARE REQUIRED

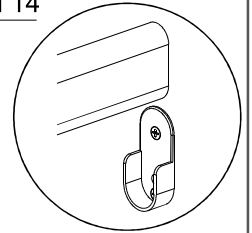
F  02  
Ø3.5 x 14mm

O  01

## TOOLS REQUIRED

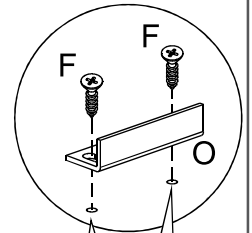


Detail 14



Detail 14

Detail 15



**Please note:  
Pre-marked  
Holes**


Detail 15


# STEP 14

## PARTS REQUIRED

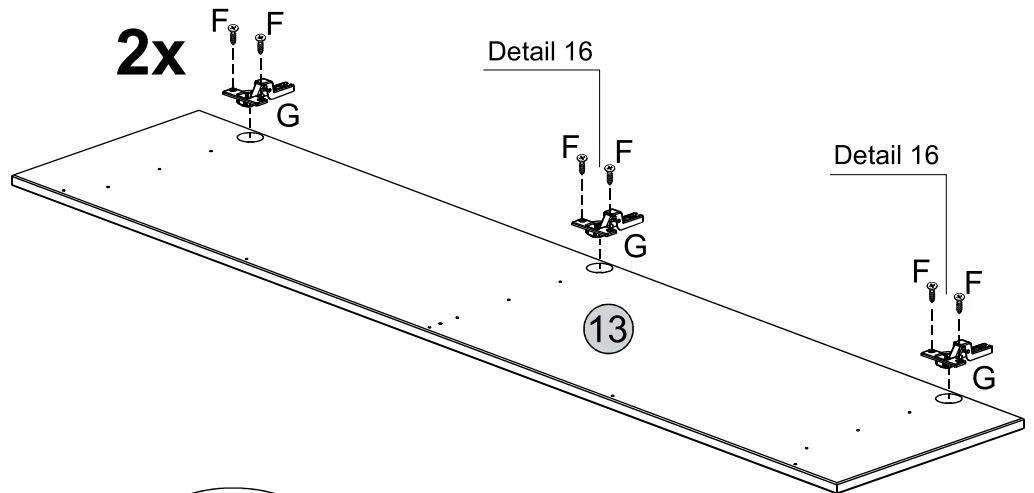
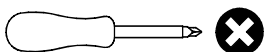
13 - DOOR x2

## HARDWARE REQUIRED

F  12  
Ø3.5 x 14mm

G  06  
Hinge (Door) (6x)

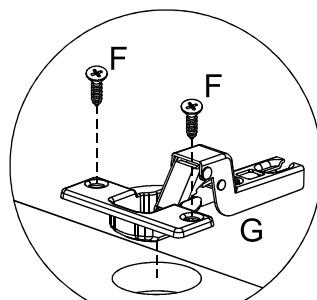
## TOOLS REQUIRED



2x

Detail 16

Detail 16

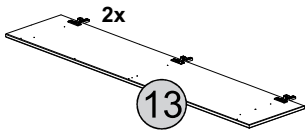


Detail 16

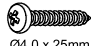
# STEP 15

**PARTS REQUIRED**

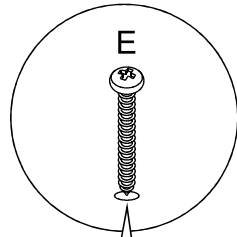
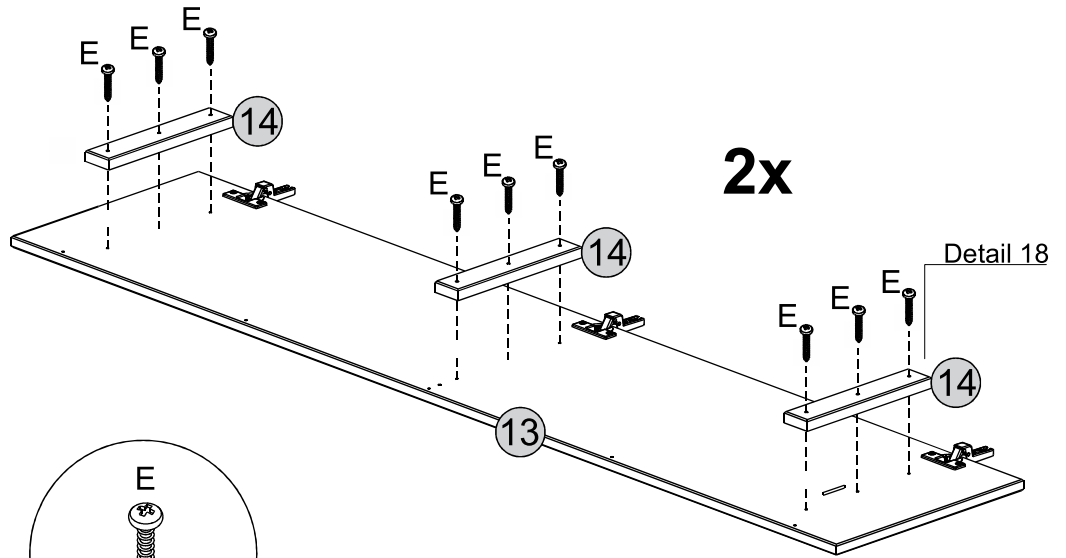
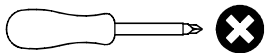
14 - DOOR CROSSBEAM x6



**HARDWARE REQUIRED**

E  18  
Ø4,0 x 25mm

**TOOLS REQUIRED**



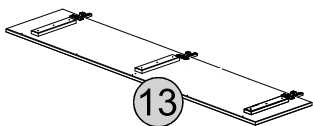
**Please note:  
Pre-marked  
Holes**

Detail 18

# STEP 16

**PARTS REQUIRED**

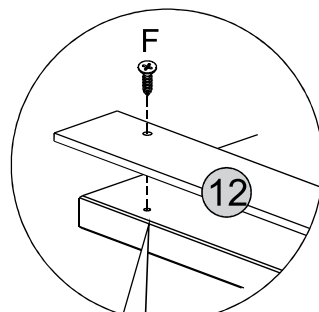
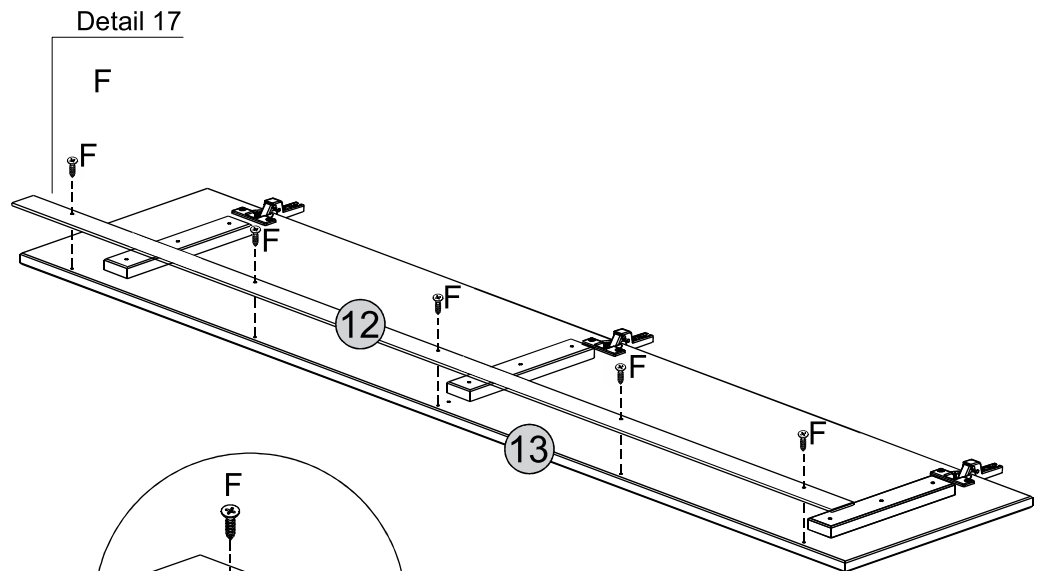
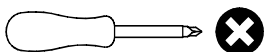
12 - DOOR STRIP x1



**HARDWARE REQUIRED**

F  05  
Ø3,5 x 14mm

**TOOLS REQUIRED**



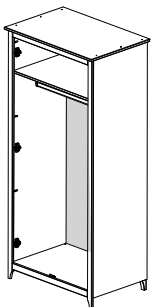
**Please note:  
Pre-marked  
Holes**

Detail 17

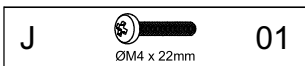
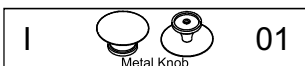
# STEP 17

## PARTS REQUIRED

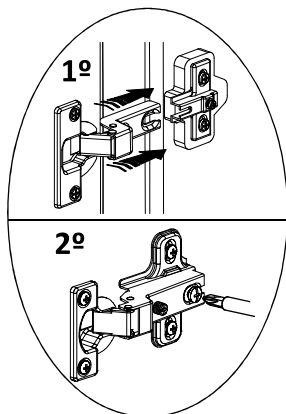
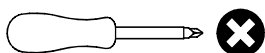
13 - DOOR x1



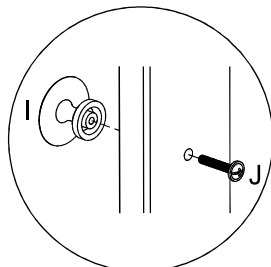
## HARDWARE REQUIRED



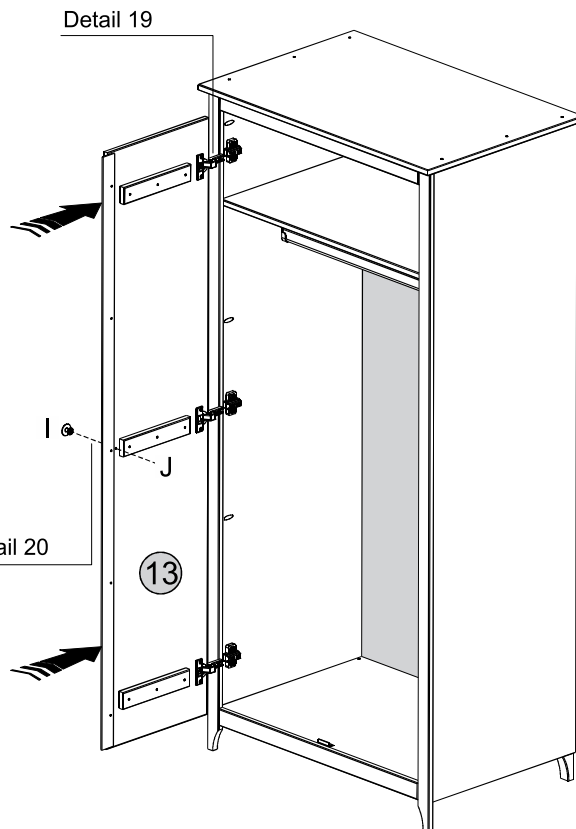
## TOOLS REQUIRED



Detail 19



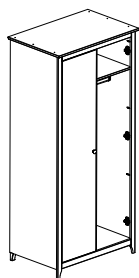
Detail 20



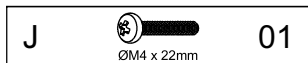
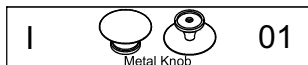
# STEP 18

## PARTS REQUIRED

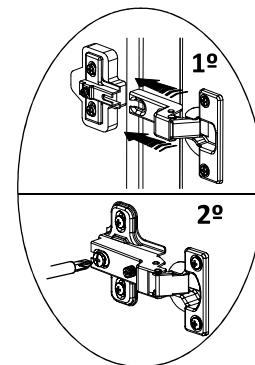
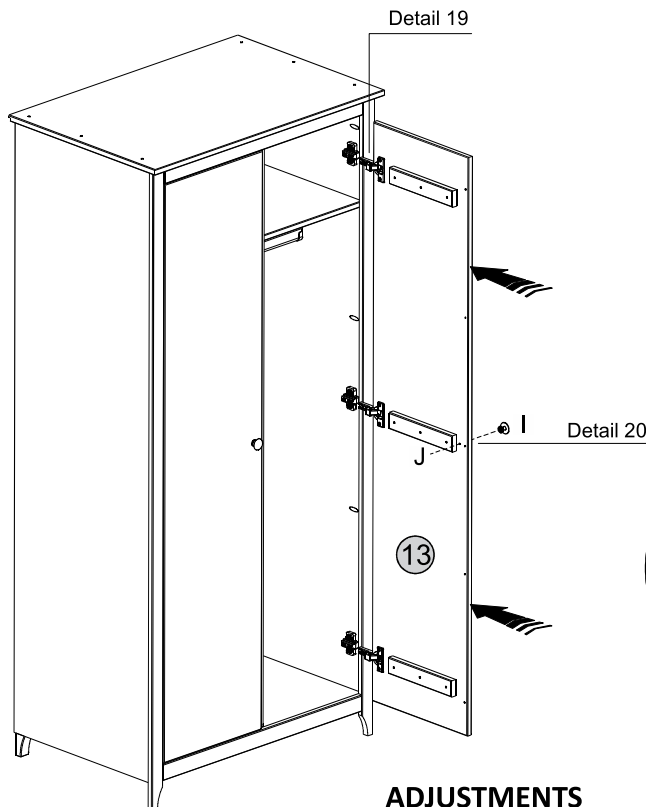
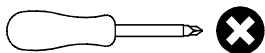
13 - DOOR x1



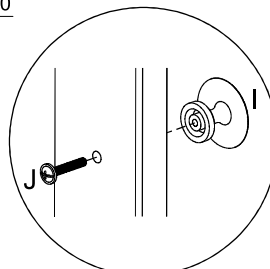
## HARDWARE REQUIRED



## TOOLS REQUIRED

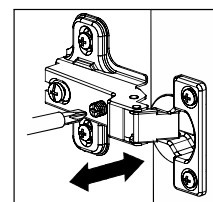
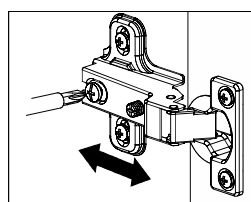
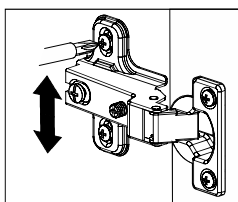


Detail 19



Detail 20

## ADJUSTMENTS



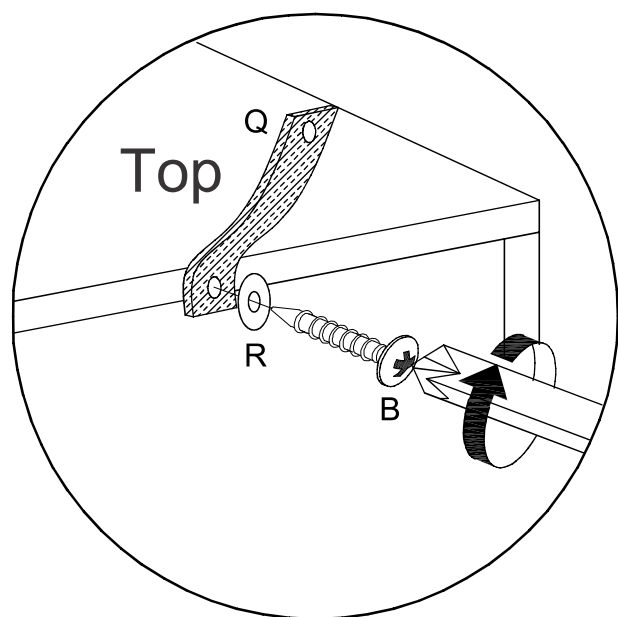





# WARNING

**Serious or fatal injuries can occur from furniture tipping over. To prevent the furniture from tipping over we recommend that it is permanently fixed to the wall.**

Wall fixings are not supplied with this product as different wall materials require different types of fixing devices.

Please make sure you use fixings suitable for the walls in your home.



B		01
<small>Ø3,5 x 30mm</small>		
Q		01
<small>Strap</small>		
R		02
<small>Washer</small>		

