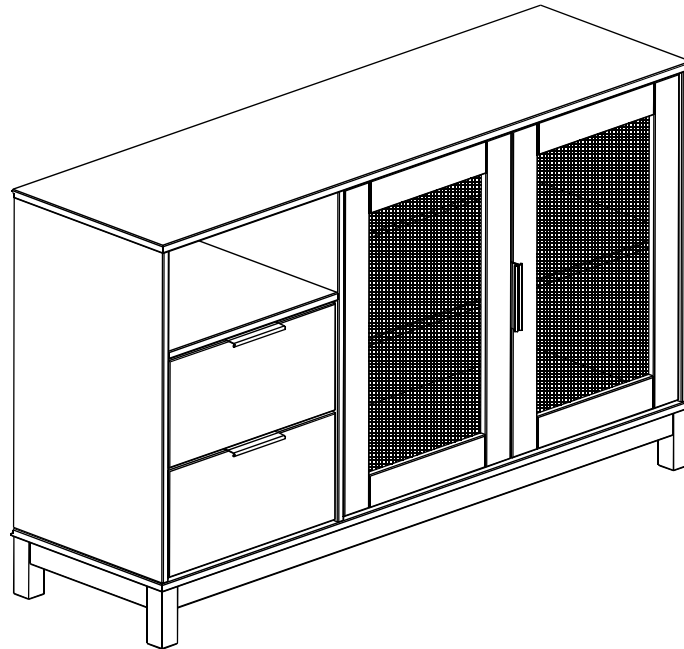


56420(MY)

CORONA RATTAN 2 DOOR 2 DRAWER SIDEBOARD ASSEMBLY INSTRUCTIONS

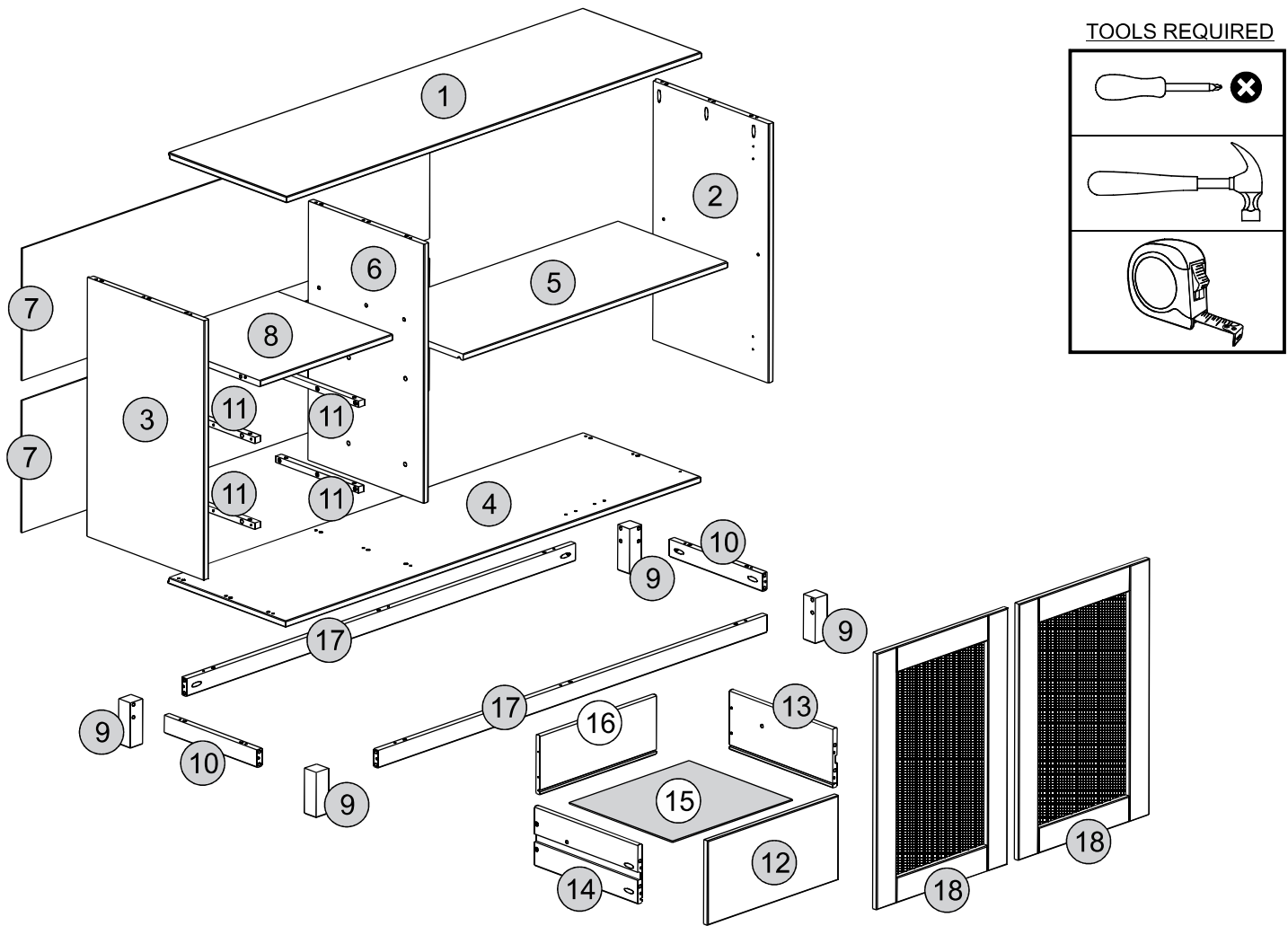


IMPORTANT FOR DOMESTIC USE ONLY

PLEASE READ BEFORE YOU CONTINUE FURTHER

CARE AND MAINTENANCE

- After unpacking this product please keep the original packaging in case it needs to be returned for any reason.
- Please ensure all fittings and parts are present before commencing with assembly.
 - Never drag or push products as this could cause damage to the joints making it inferior.
 - We strongly recommend that you keep children away from your work area.
 - We recommend that you lay a blanket or sheet on the floor to avoid damage to both your floor and the product.
 - Assemble this product as close to its final position as possible.
 - Do not place this product next to a radiator or in direct sunlight.
 - Do not drag or push items across your high gloss furniture as this may cause the surface to scratch
 - Wood is a natural product and may expand if subjected to damp and may shrink or crack if subjected to heat. Therefore it is recommended that room temperature is maintained, with no sudden temperature fluctuations.
 - Make sure any spillage is wiped off immediately.
 - Do not place hot or chilled items directly on to the surface, use a place mat or marking will occur.
 - For general cleaning use a soft cotton or micro fibre cloth, and do not use detergents of any kind.
 - From time to time it may be necessary to tighten fittings, regular inspections should be carried out.
 - Do not place on a wet or damp floor as staining may occur to your floor.

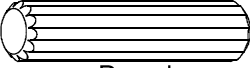


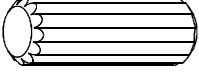

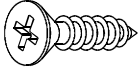
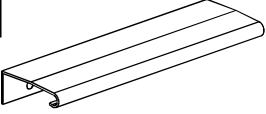



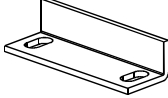
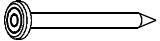



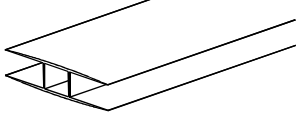



PARTS LIST

Please Note:
The below parts have all been stamped with the part number to help identify them during assembly.

Part Number	Part Code	Part Description	Quantity	Carton
1	S400-405-045-MY1-01	Top Panel	1	1/1
2	S400-405-045-MY1-02	Right Side Panel	1	1/1
3	S400-405-045-MY1-03	Left Side Panel	1	1/1
4	S400-405-045-MY1-04	Base Panel	1	1/1
5	S400-405-045-MY1-05	Large Shelf Panel	1	1/1
6	S400-405-045-MY1-06	Division Panel	1	1/1
7	S400-405-045-MY1-07	Back Panel	2	1/1
8	S400-405-045-MY1-08	Fixed Shelf Panel	1	1/1
9	S400-405-045-MY1-09	Leg	4	1/1
10	S400-405-045-MY1-10	Short Crossbeam	2	1/1
11	S400-405-045-MY1-11	Drawer Runner	4	1/1
12	S400-405-045-MY1-12	Drawer Front	2	1/1
13	S400-405-045-MY1-13	Right Drawer Side	2	1/1
14	S400-405-045-MY1-14	Left Drawer Side	2	1/1
15	S400-405-045-MY1-15	Drawer Bottom	2	1/1
16	S400-405-045-MY1-16	Drawer Back Panel	2	1/1
17	S400-405-045-MY1-17	Large Crossbeam	2	1/1
18	S400-405-045-MY1-18	Door	2	1/1

FITTINGS LIST



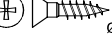

A  Dowel +2 Ø8,0 x 30mm (66x)	B  Screw +2 Ø3,5 x 30mm (48x)	C  Glue (1x)	D  Dowel Ø10,0 x 20mm (8x)
E  Screw Ø4,0 x 25mm (12x)	F  Screw Ø3,5 x 14mm (34x)	G  Handle (4x)	H  Screw Ø4,0 x 40mm (9x)
I  Hinge (Right) (4x)	J  Hinge (Left) (4x)	K  Door Stop (1x)	L  Nail 8 x 8 (34x)
M  Hinge (Right) (4x)	N  Strap (1x)	O  Washer (2x)	P  Back Panel Strip 1320mm (1x)
Q  Latch Roller (2x)			

STEP 1

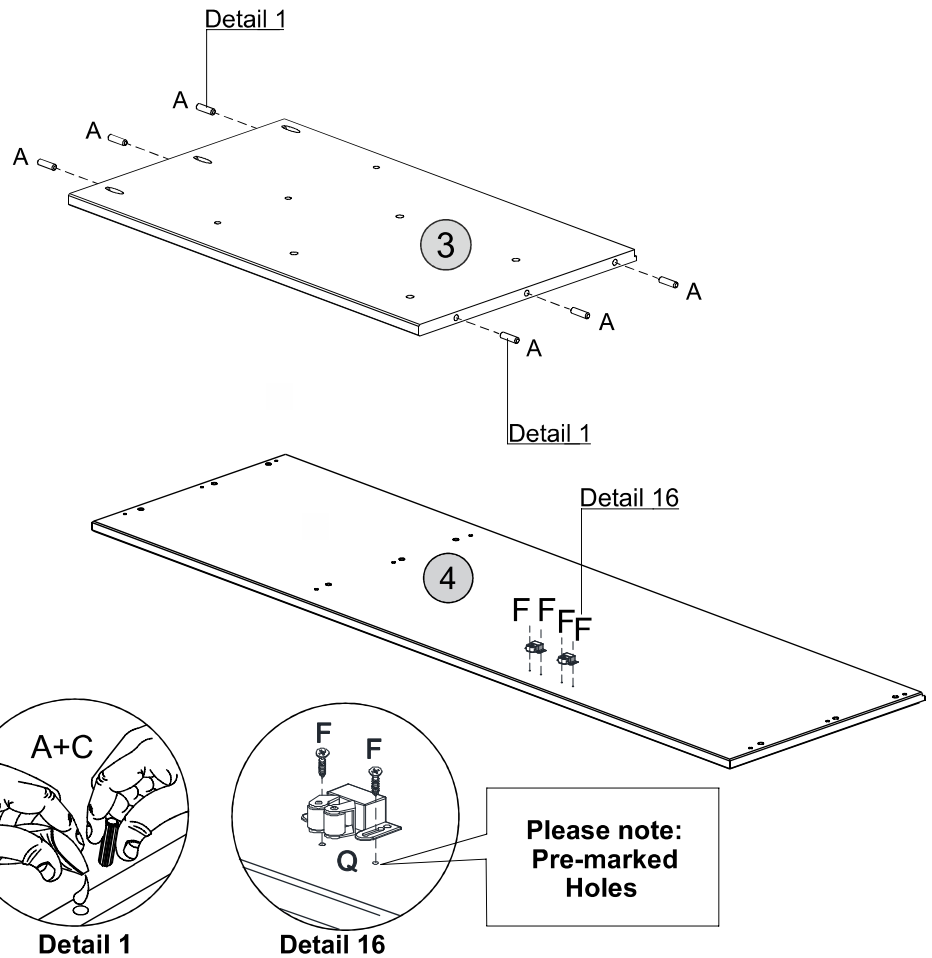
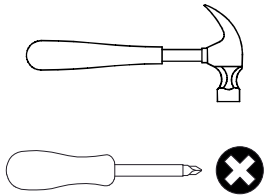
PARTS REQUIRED

3 - Left Side Panel	x1
4 - Base Panel	x1

HARDWARE REQUIRED

A		Ø8,0 x 30mm	06
C		Glue	01
F		Ø3,5 x 14mm	04
Q		Latch Roller	02

TOOLS REQUIRED



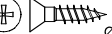

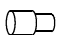


STEP 2

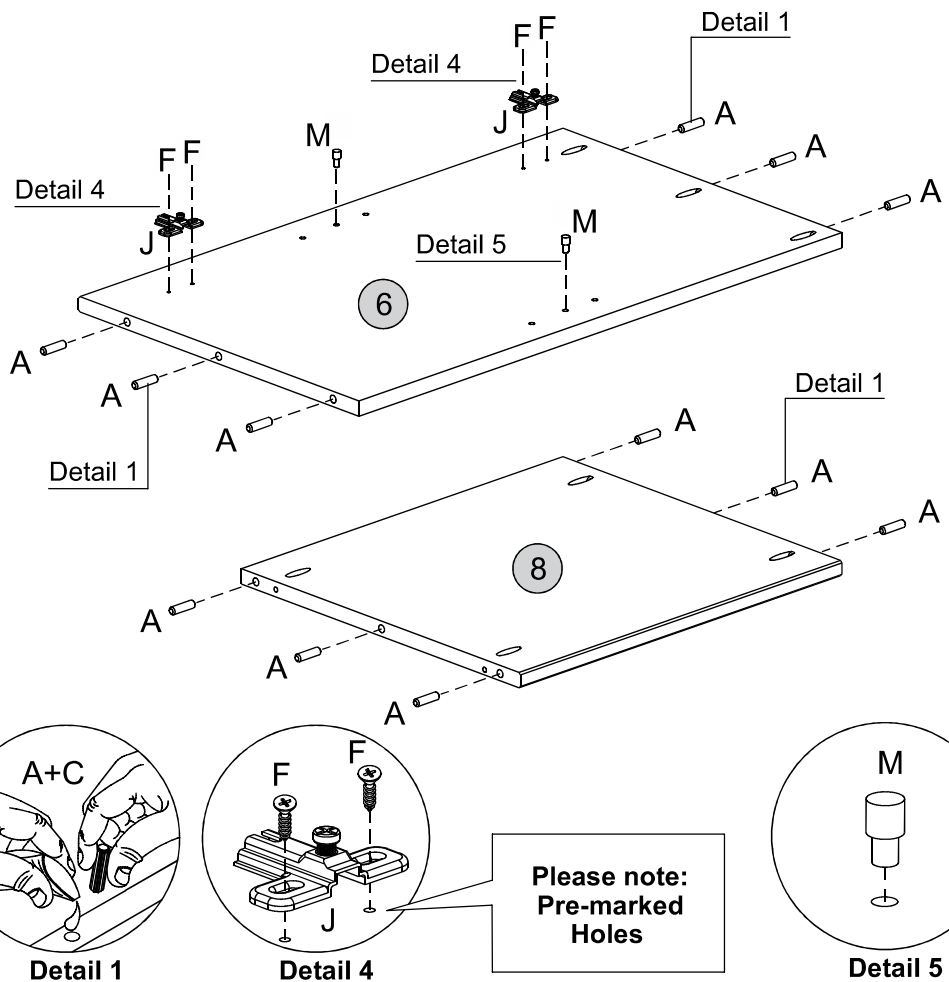
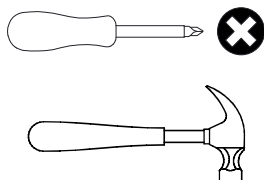
PARTS REQUIRED

6 - Division Panel	x1
8 - Fixed Shelf Panel	x1

HARDWARE REQUIRED

A		Ø8,0 x 30mm	12
C		Glue	01
F		Ø3,5 x 14mm	04
J		Hinge (Left)	02
M		Plastic Support	02

TOOLS REQUIRED




STEP 3

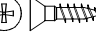
PARTS REQUIRED

2 - Right Side Panel x1

HARDWARE REQUIRED

A  06
Ø8,0 x 30mm

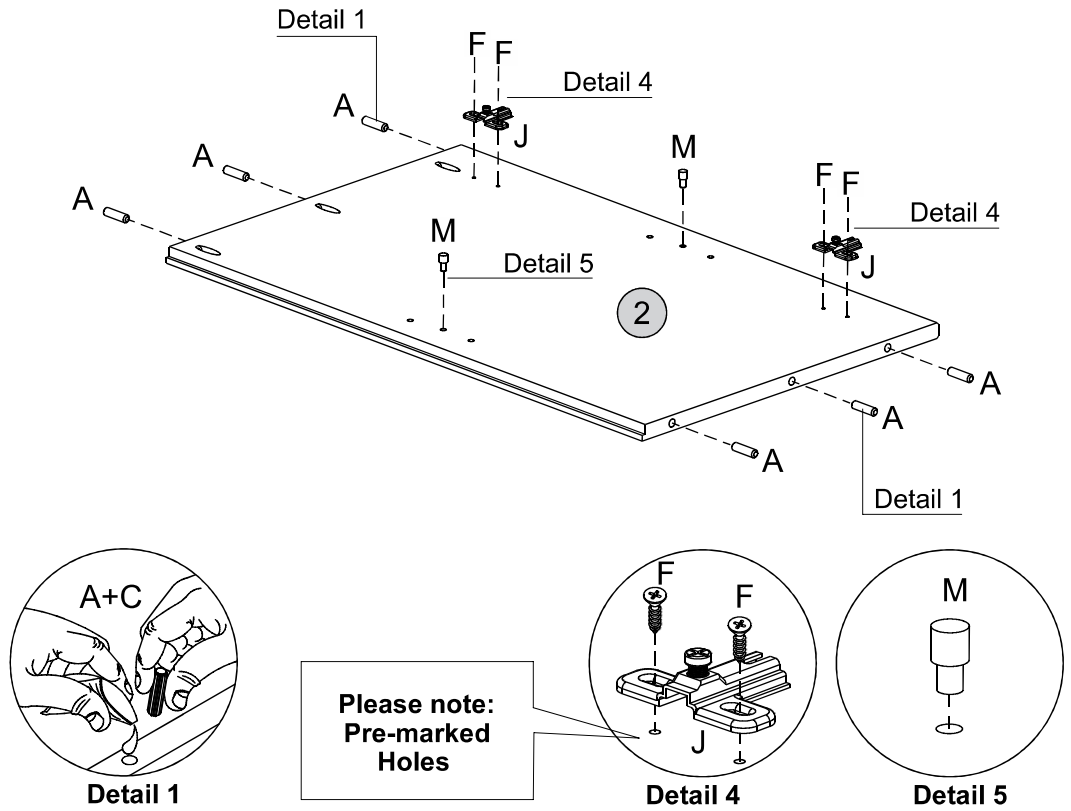
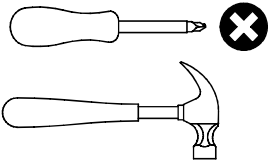
C  01
Glue

F  04
Ø3,5 x 14mm

J  02
Hinge (Left)

M  02
Plastic Support

TOOLS REQUIRED



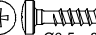
STEP 4

PARTS REQUIRED

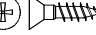
1 - Top Panel x1


3 - Left Side Panel x1

HARDWARE REQUIRED

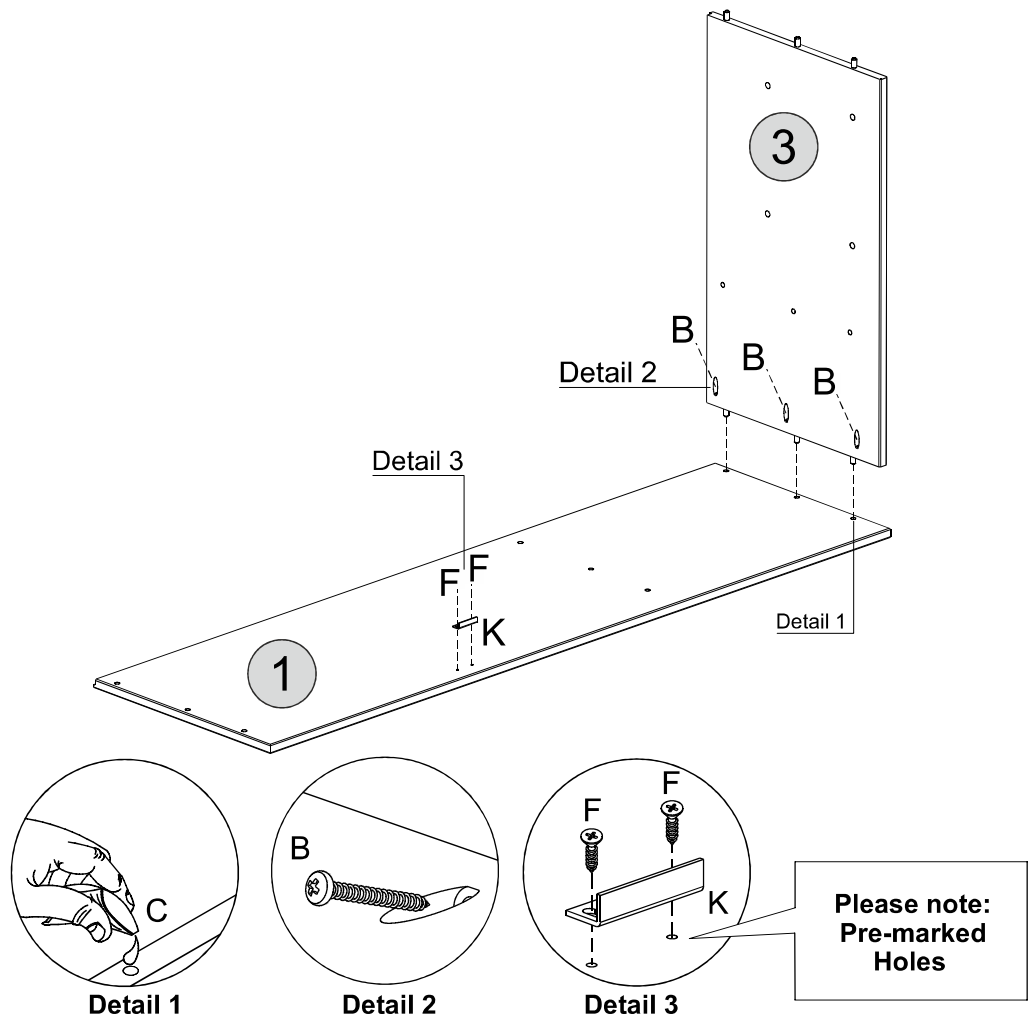
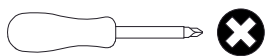
B  03
Ø3,5 x 30mm

C  01
Glue

F  02
Ø3,5 x 14mm

K  01
Door Stop

TOOLS REQUIRED

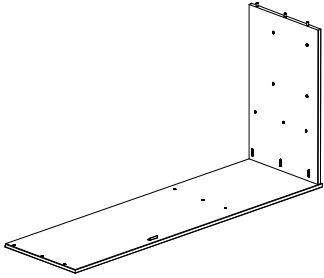


STEP 5


PARTS REQUIRED

6 - Division Panel x1

8 - Fixed Shelf Panel x1

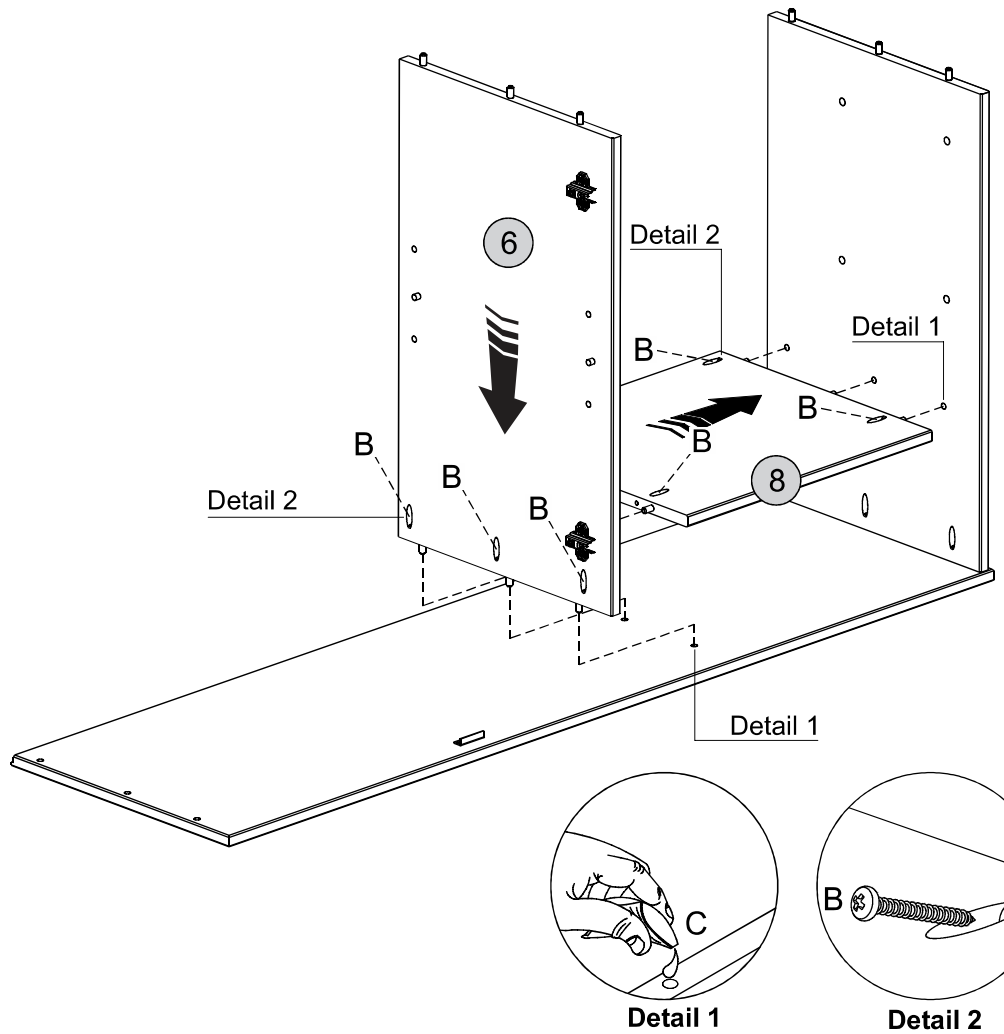
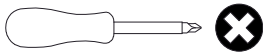


HARDWARE REQUIRED

B  07
Ø3.5 x 30mm

C  01
Glue

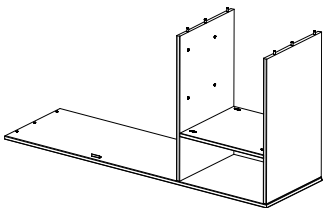
TOOLS REQUIRED




STEP 6

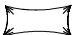
PARTS REQUIRED

2 - Right Side Panel x1

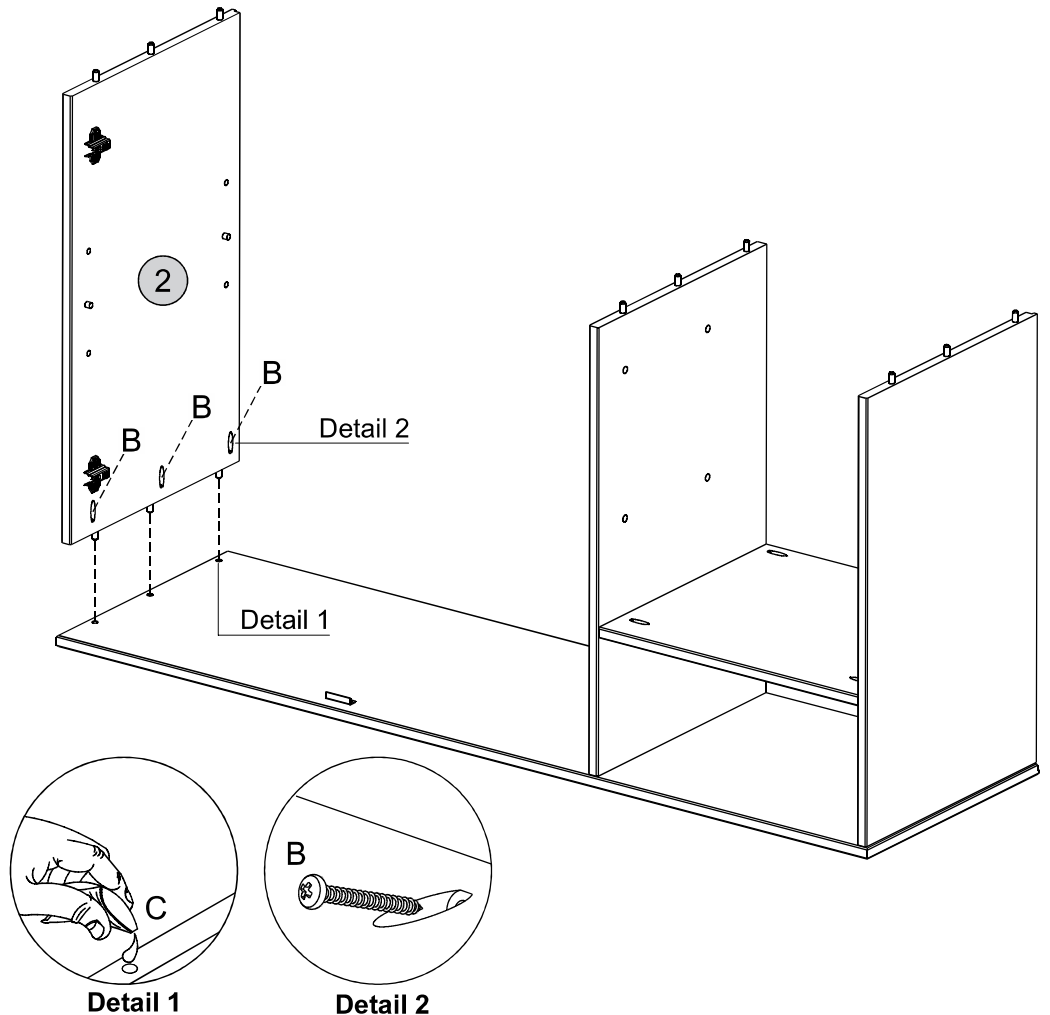


HARDWARE REQUIRED

B  03
Ø3.5 x 30mm

C  01
Glue

TOOLS REQUIRED



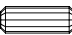
STEP 7

PARTS REQUIRED

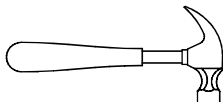
11 - Drawer Runner x4

HARDWARE REQUIRED

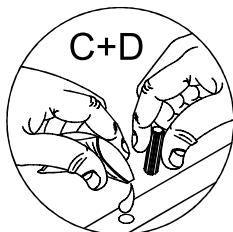
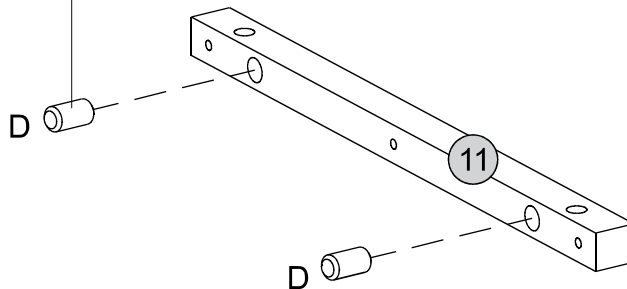
C  01
Glue

D  08
Ø10,0 x 20mm

TOOLS REQUIRED



Detail 6

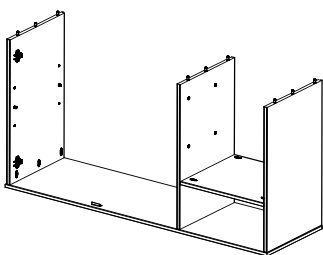


Detail 6


STEP 8

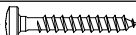
PARTS REQUIRED

11 - Drawer Runner x4

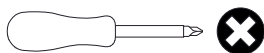


HARDWARE REQUIRED

C  01
Glue

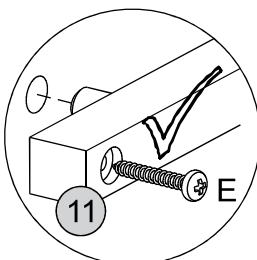
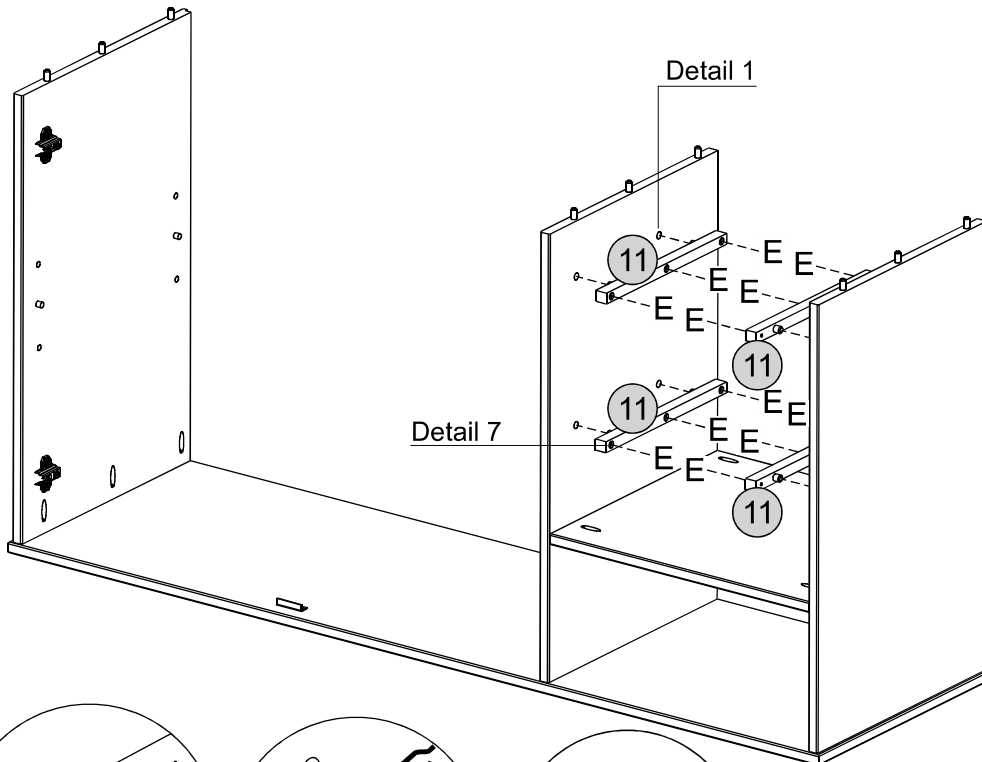
E  12
Ø4,0 x 25mm

TOOLS REQUIRED

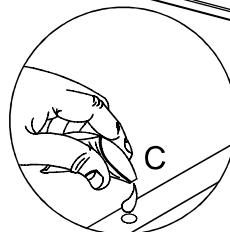
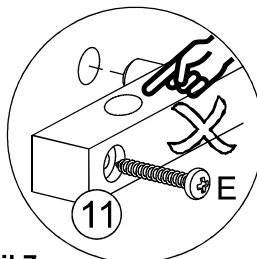


Detail 1

Detail 7



Detail 7

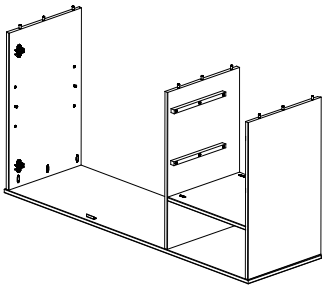


Detail 1

STEP 9


PARTS REQUIRED

4 - Base Panel x1

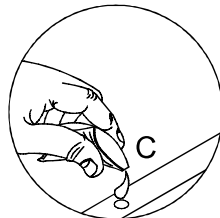
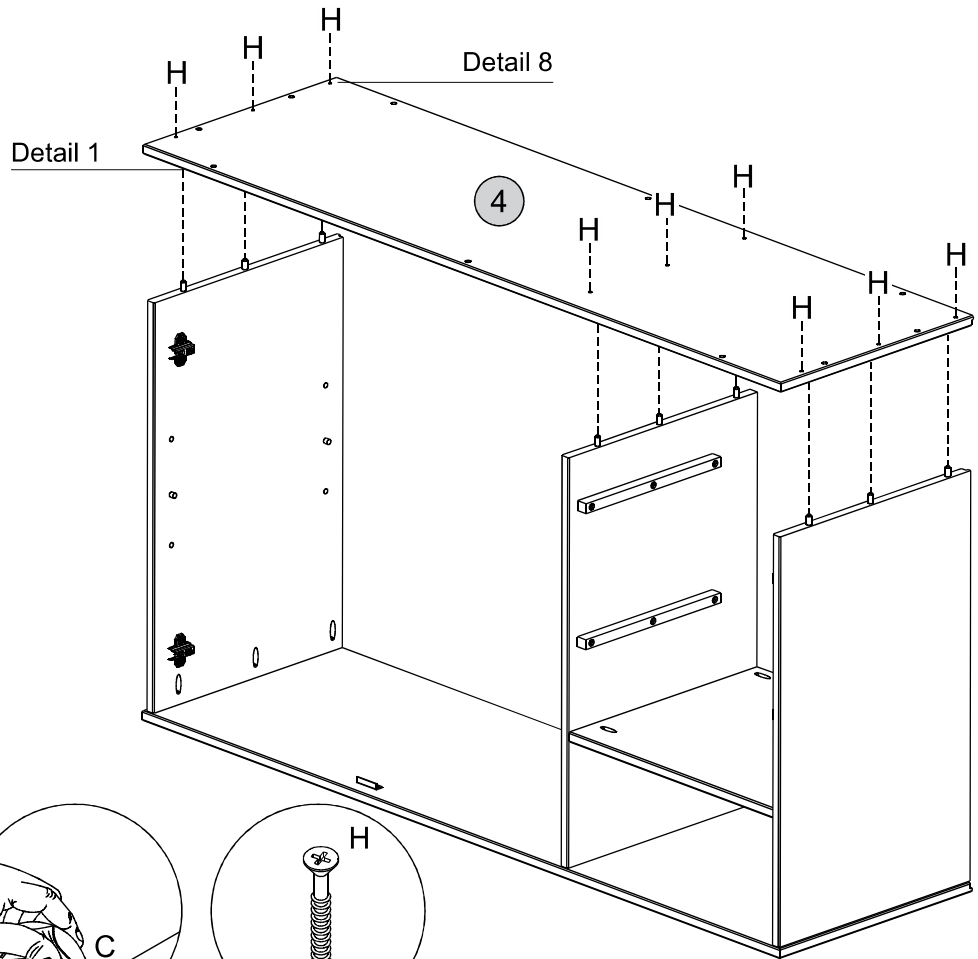
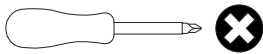


HARDWARE REQUIRED

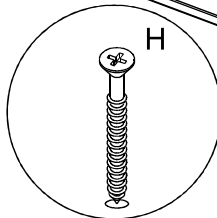
C  01
Glue

H  09
Ø4,0 x 40mm

TOOLS REQUIRED



Detail 1



Detail 8


STEP 10

PARTS REQUIRED

10 - Short Crossbeam x2

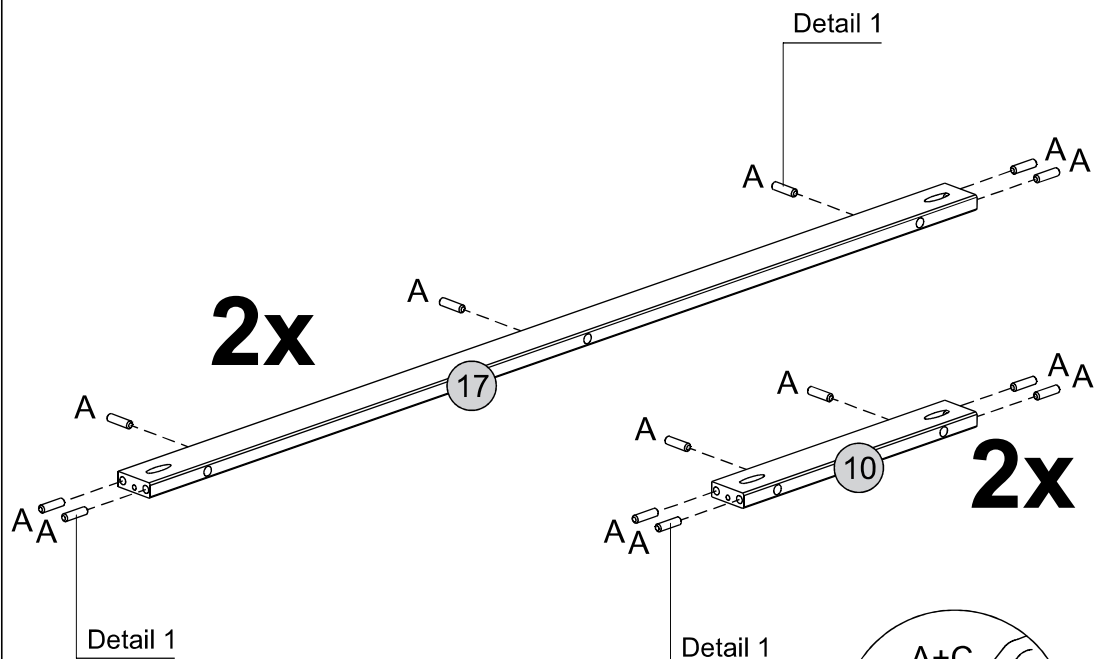
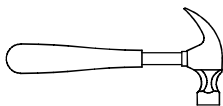
17 - Large Crossbeam x2

HARDWARE REQUIRED

A  26
Ø8,0 x 30mm

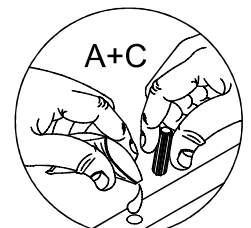
C  01
Glue

TOOLS REQUIRED



Detail 1

Detail 1




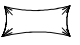
Detail 1

STEP 11

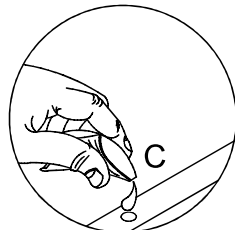
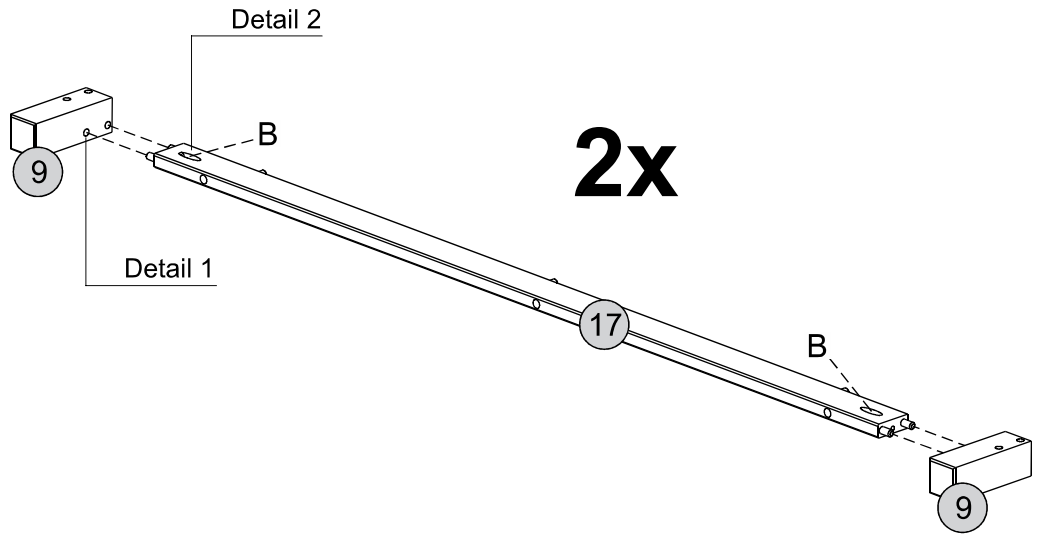
PARTS REQUIRED

9 - Leg	x4
17 - Large Crossbeam	x2

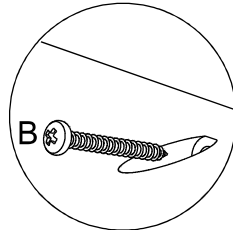
HARDWARE REQUIRED

B		Ø3,5 x 30mm	04
C		Glue	01

TOOLS REQUIRED



Detail 1

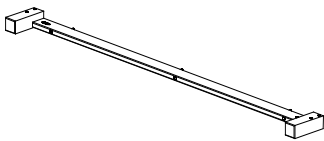


Detail 2


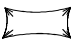
STEP 12

PARTS REQUIRED

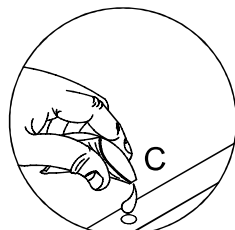
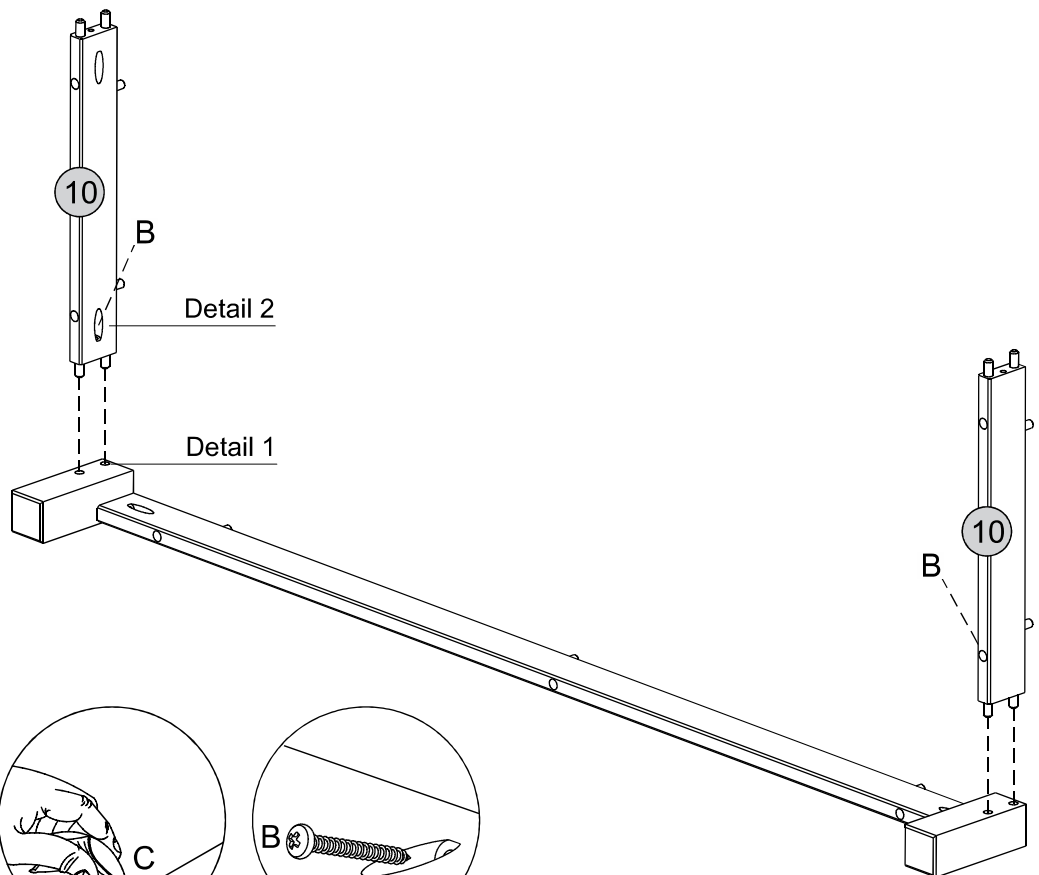
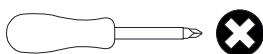
10 - Short Crossbeam	x2
----------------------	----



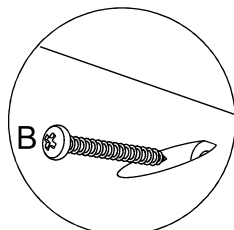
HARDWARE REQUIRED

B		Ø3,5 x 30mm	02
C		Glue	01

TOOLS REQUIRED



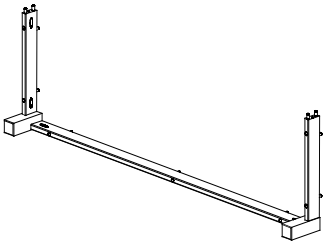
Detail 1



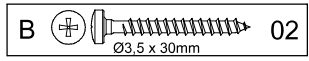
Detail 2

STEP 13

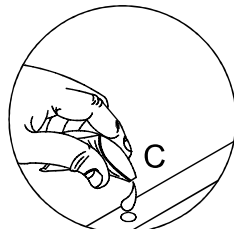
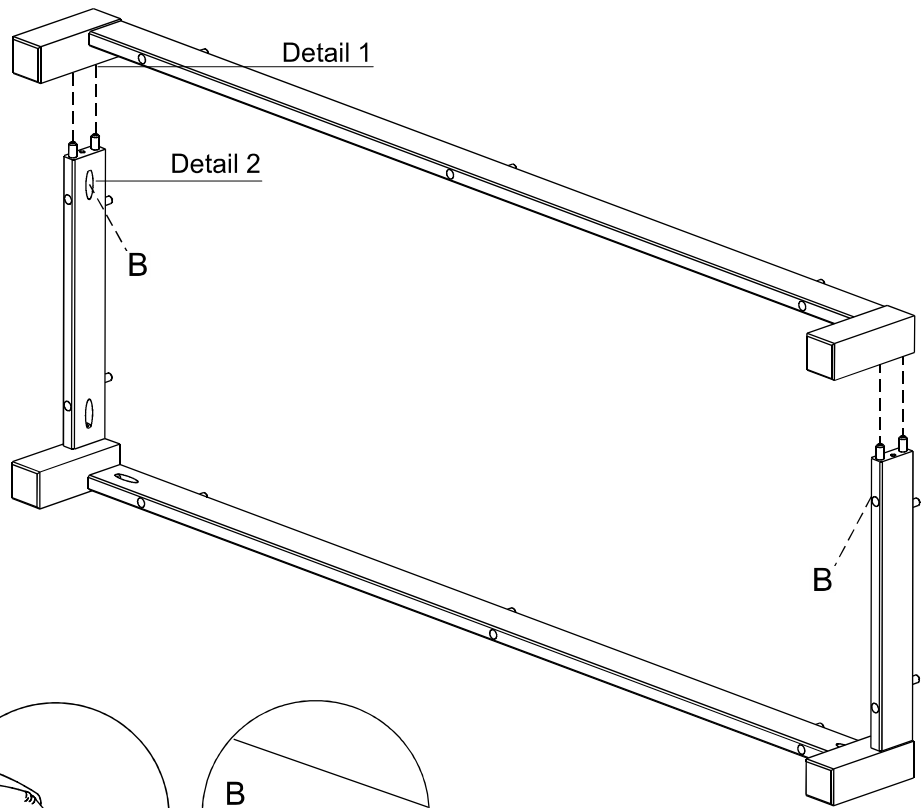
PARTS REQUIRED



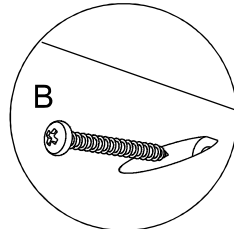
HARDWARE REQUIRED



TOOLS REQUIRED



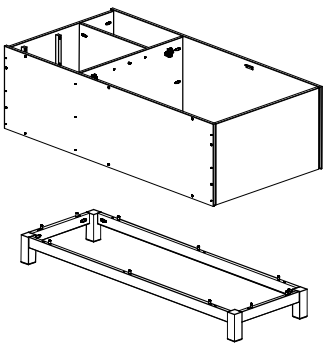
Detail 1



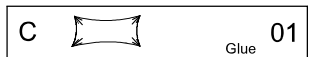
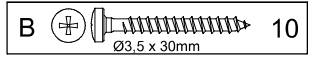
Detail 2

STEP 14

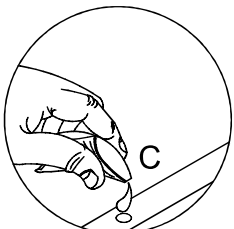
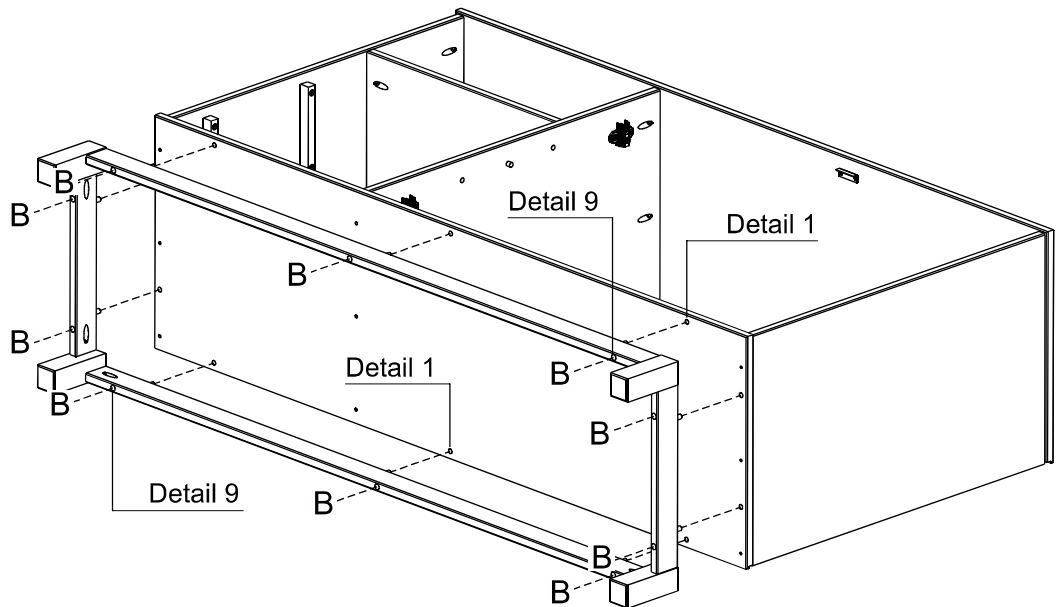
PARTS REQUIRED



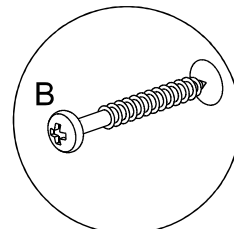
HARDWARE REQUIRED



TOOLS REQUIRED



Detail 1



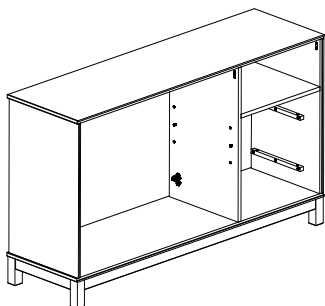
Detail 9

STEP 15

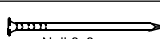
* For your future reference
Order Number should be here


PARTS REQUIRED

7 - Back Panel x2

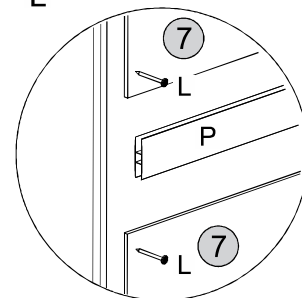
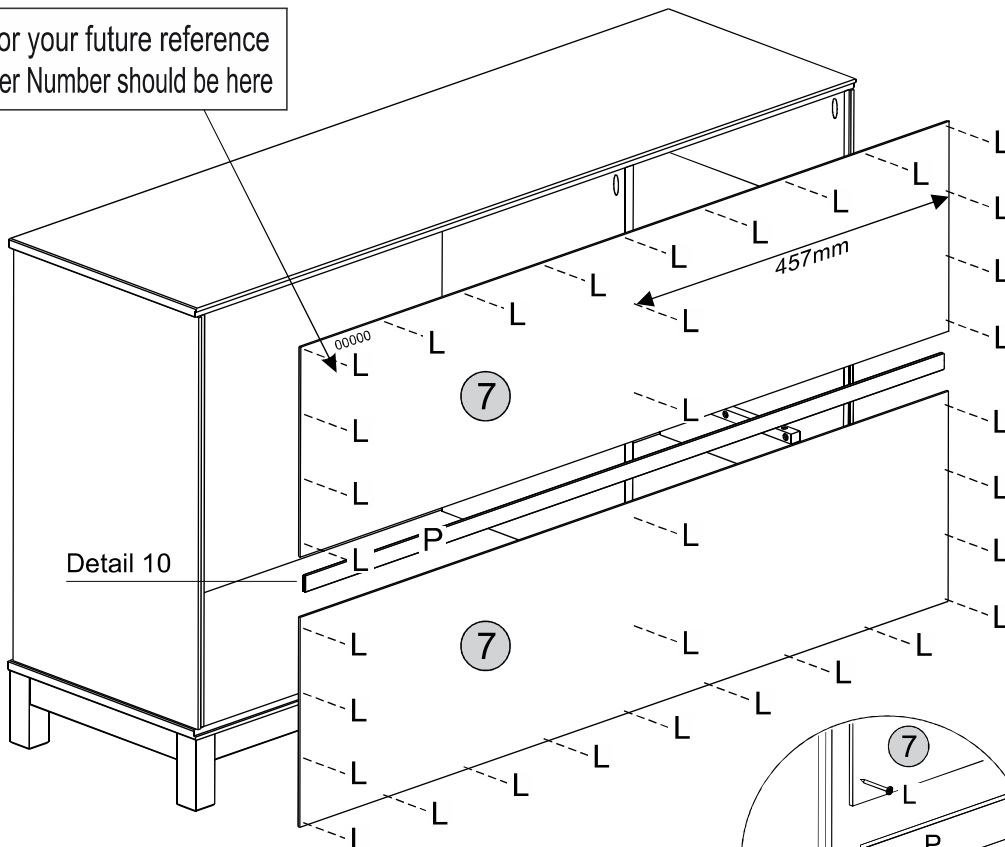
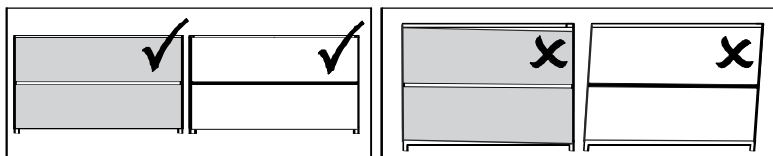
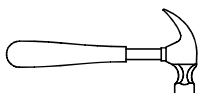


HARDWARE REQUIRED

L  34
Nail 8x8

P  01
Back Panel Strip

TOOLS REQUIRED

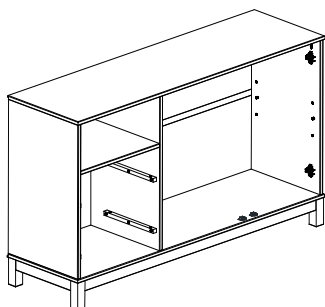


Detail 10


STEP 16


PARTS REQUIRED

5 - Large Shelf Panel x1

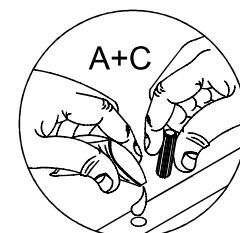
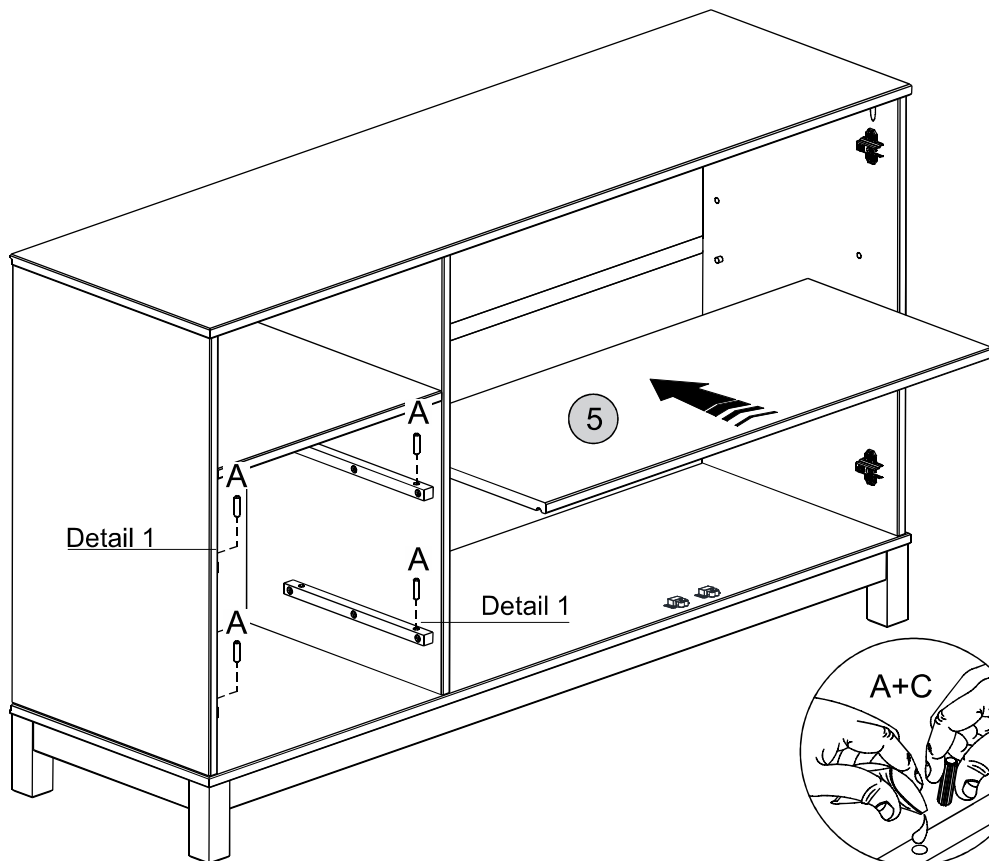
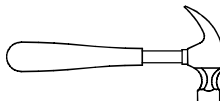


HARDWARE REQUIRED

A  04
Ø8,0 x 30mm

C  01
Glue

TOOLS REQUIRED



Detail 1


STEP 17

PARTS REQUIRED

13 - Right Drawer Side x2

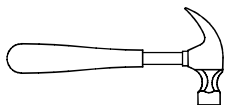
14 - Left Drawer Side x2

HARDWARE REQUIRED

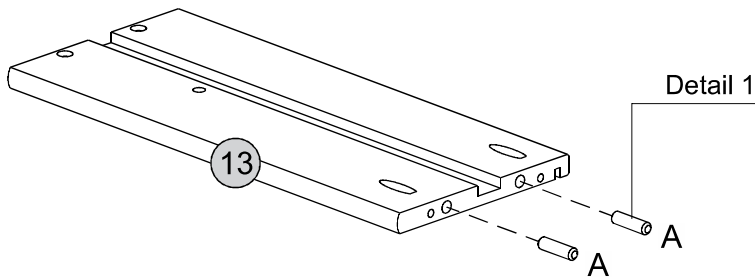
A  08
Ø8,0 x 30mm

C  01
Glue

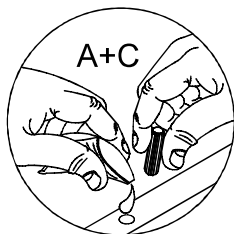
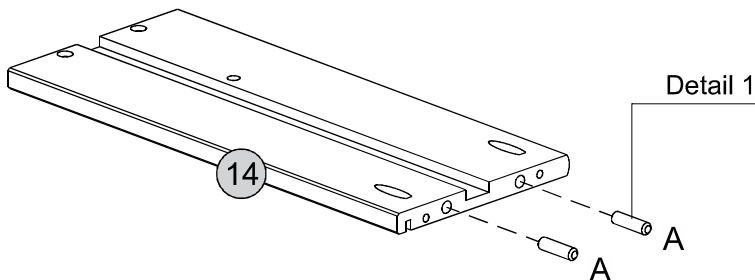
TOOLS REQUIRED



2x



2x



Detail 1

STEP 18

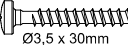
PARTS REQUIRED

12 - Drawer Front x2

13 - Right Drawer Side x2

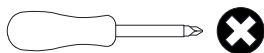
14 - Left Drawer Side x2

HARDWARE REQUIRED

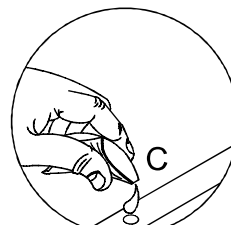
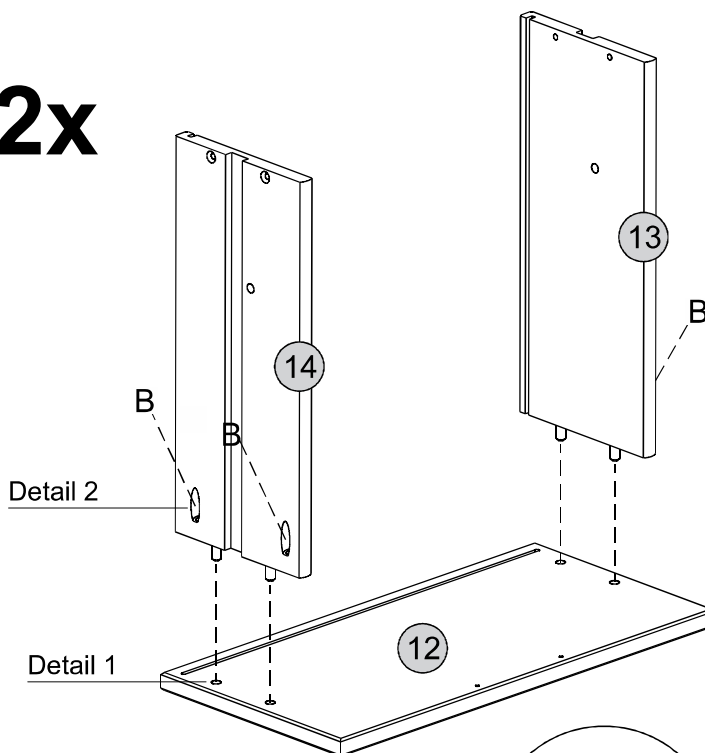
B  08
Ø3,5 x 30mm

C  01
Glue

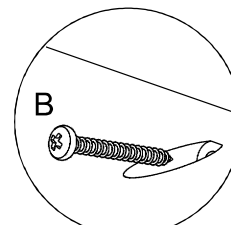
TOOLS REQUIRED



2x



Detail 1



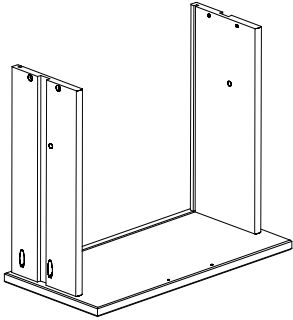
Detail 2

STEP 19


PARTS REQUIRED

15 - Drawer Bottom x2

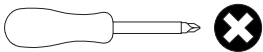
16 - Drawer Back Panel x2



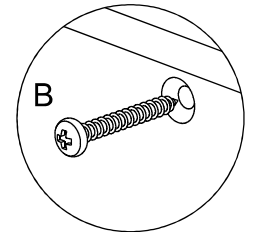
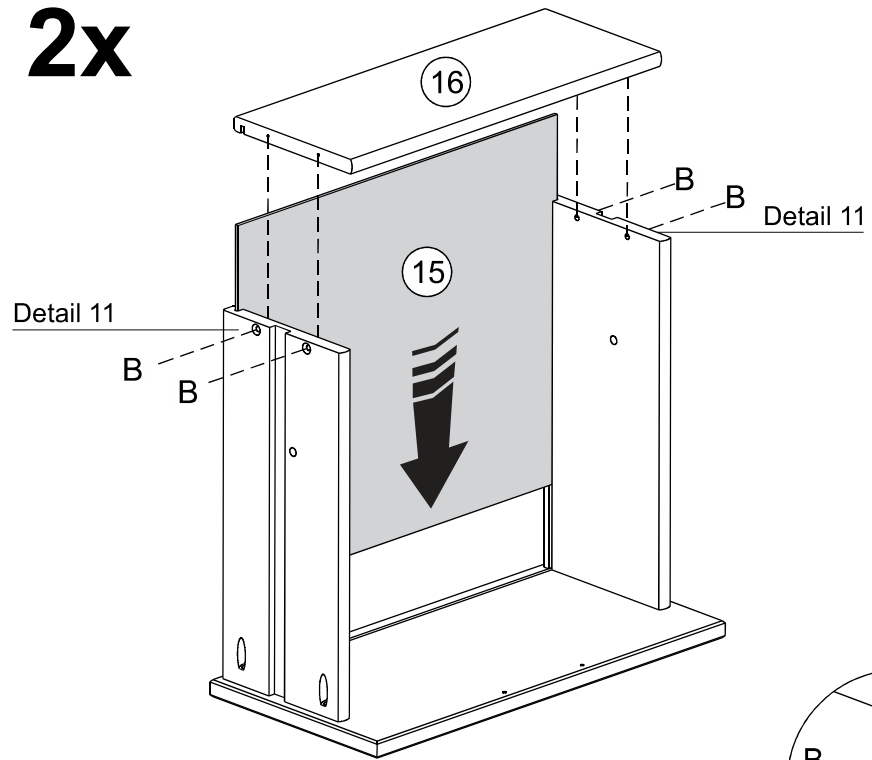
HARDWARE REQUIRED

B  Ø3,5 x 30mm 08

TOOLS REQUIRED



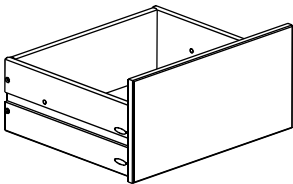
2x



Detail 11


STEP 20

PARTS REQUIRED

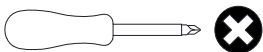


HARDWARE REQUIRED

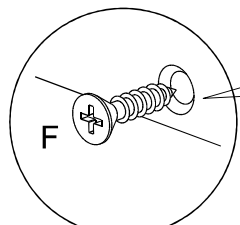
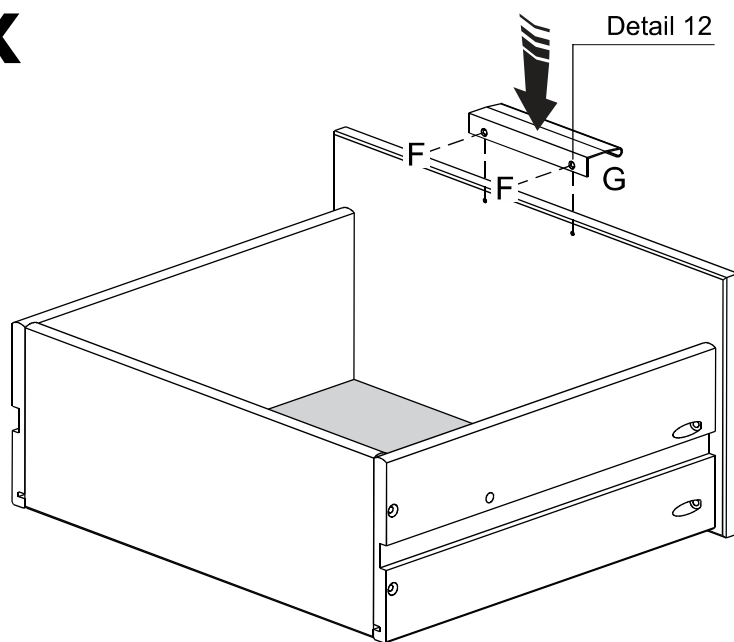
F  Ø3,5 x 14mm 04

G  Handle 02

TOOLS REQUIRED



2x

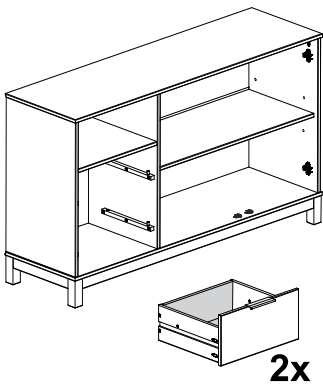


Detail 12

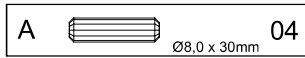
**Please note:
Pre-marked
Holes**

STEP 21

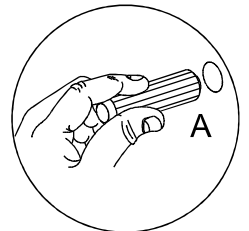
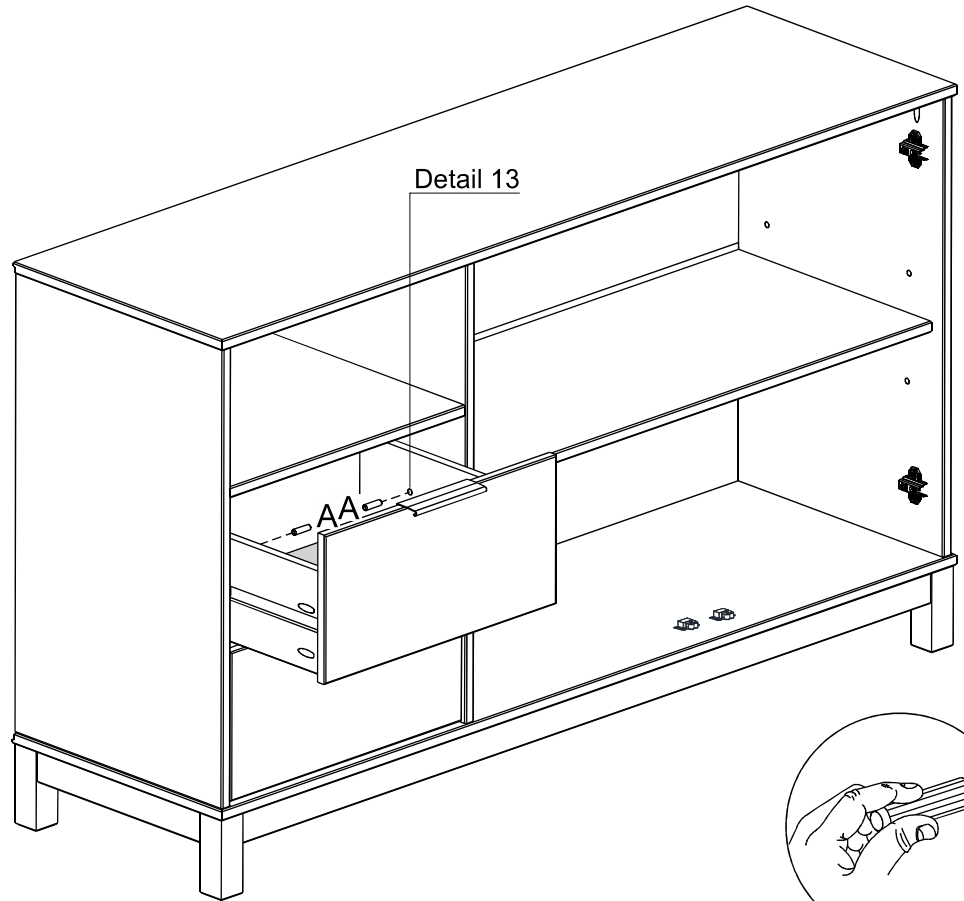
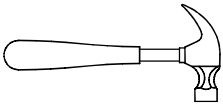
PARTS REQUIRED



HARDWARE REQUIRED



TOOLS REQUIRED



Detail 13

STEP 22

PARTS REQUIRED

18 - Door x2

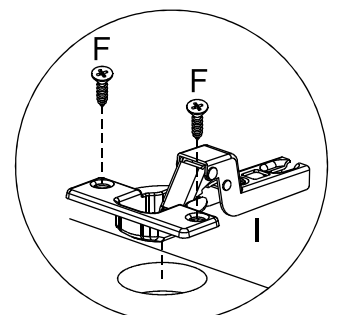
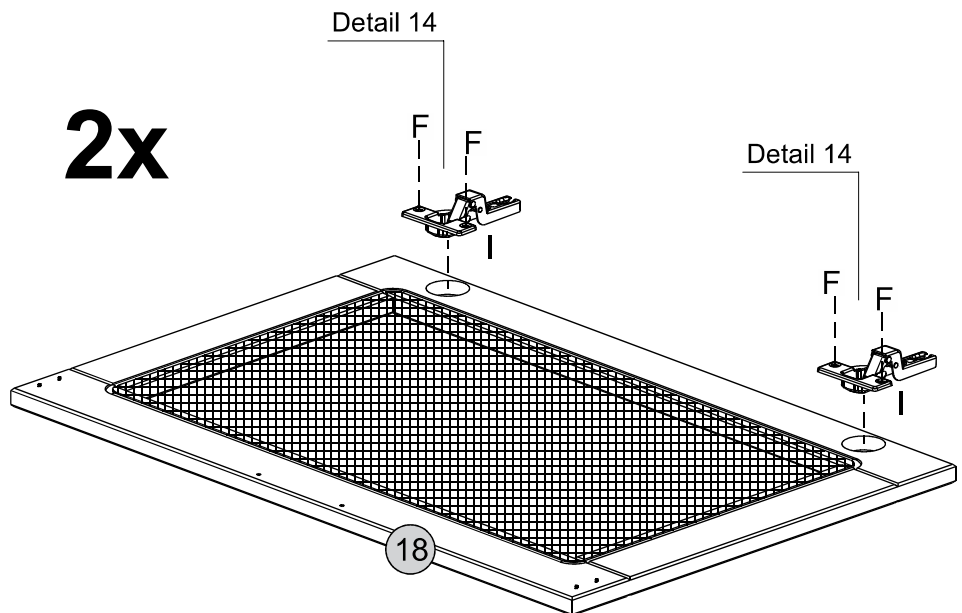
HARDWARE REQUIRED



TOOLS REQUIRED



2x

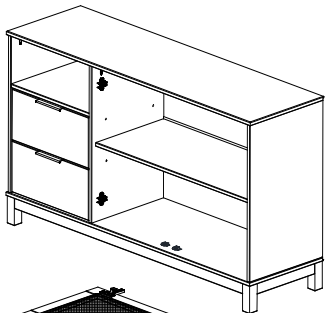


Detail 14

STEP 23

PARTS REQUIRED

18 - Door x1



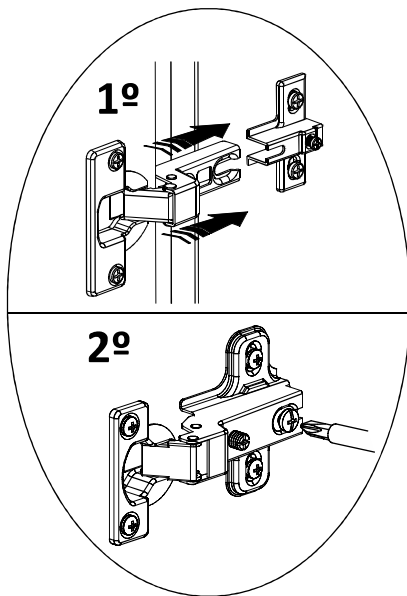
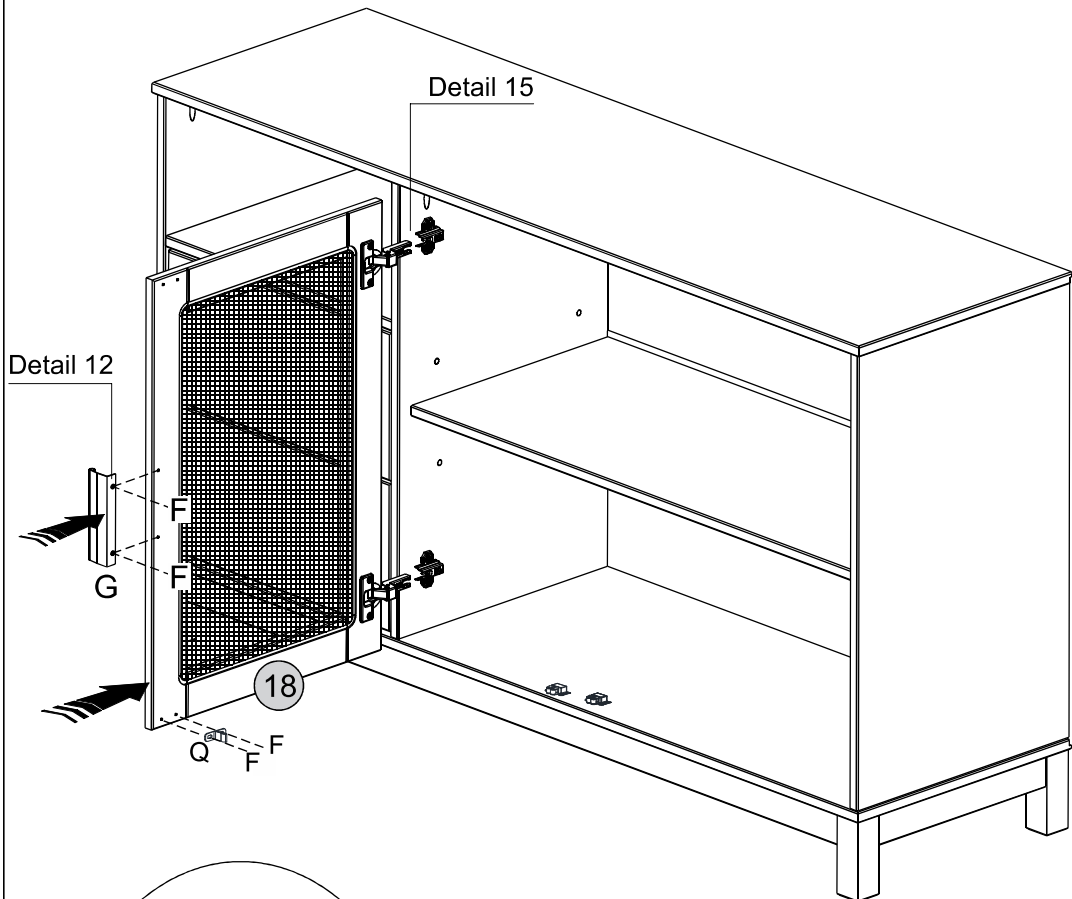
HARDWARE REQUIRED

F Ø3,5 x 14mm 04

G Handle 01

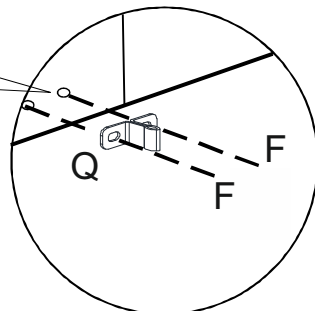
Q Latch Roller 01

TOOLS REQUIRED



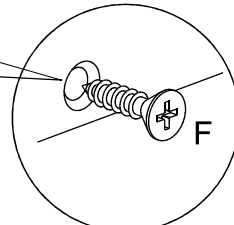
Detail 15

Please note:
Pre-marked
Holes



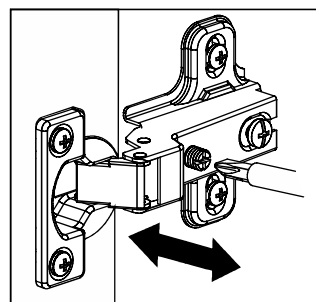
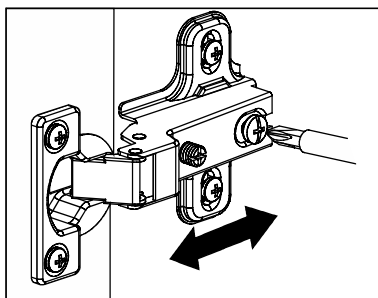
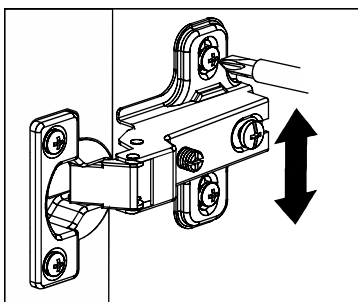
Detail 17

Please note:
Pre-marked
Holes



Detail 12

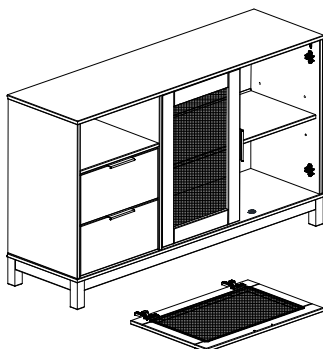
ADJUSTMENTS




STEP 24


PARTS REQUIRED

18 - Door x1



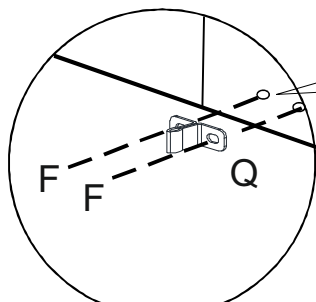
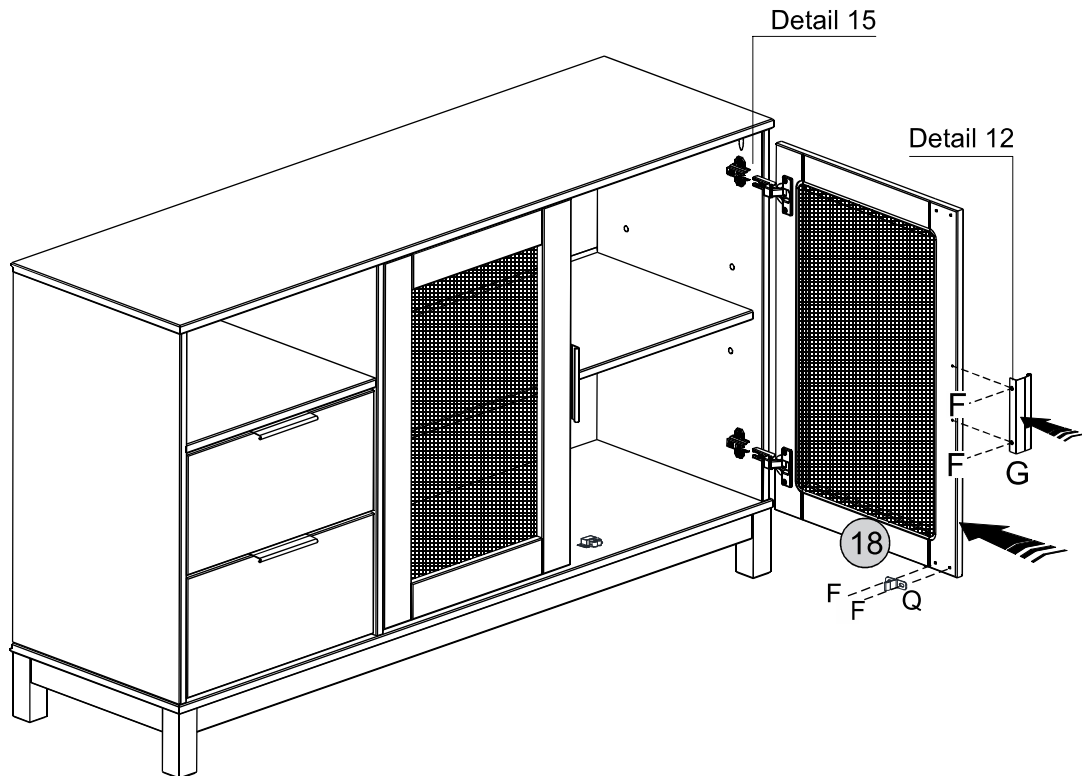
HARDWARE REQUIRED

F  Ø3,5 x 14mm 04

G  Handle 01

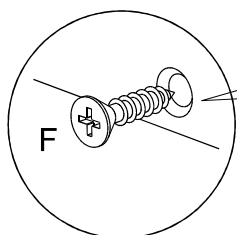
Q  Latch Roller 01

TOOLS REQUIRED



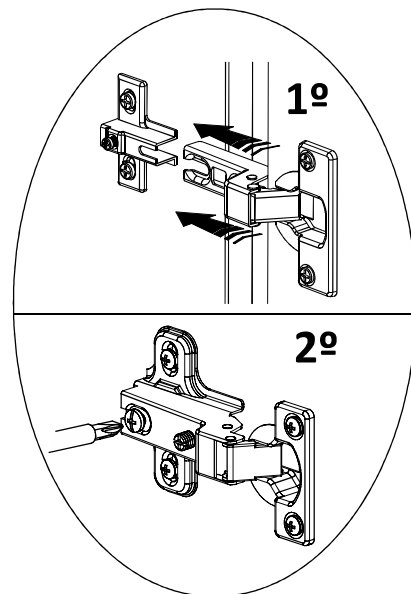
Detail 17

Please note:
Pre-marked
Holes



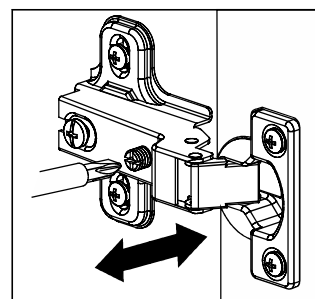
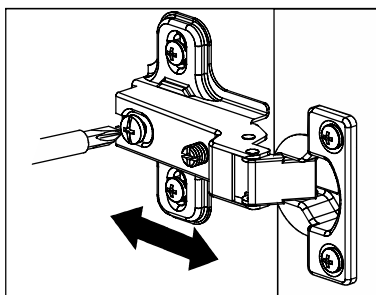
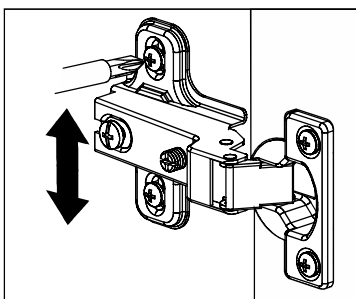
Detail 12

Please note:
Pre-marked
Holes



Detail 15

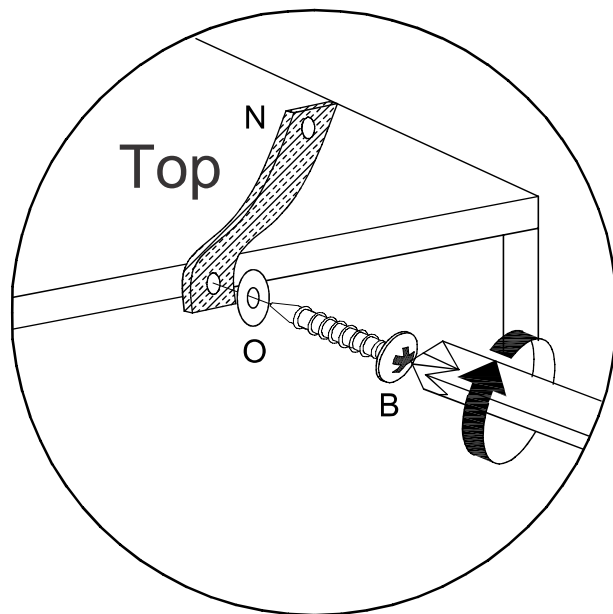
ADJUSTMENTS


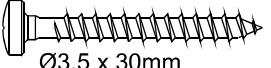






WARNING

Serious or fatal injuries can occur from furniture tipping over. To prevent the furniture from tipping over we recommend that it is permanently fixed to the wall.

Wall fixings are not supplied with this product as different wall materials require different types of fixing devices. Please make sure you use fixings suitable for the walls in your home.



B			01
N			01 Strap
O			02 Washer

