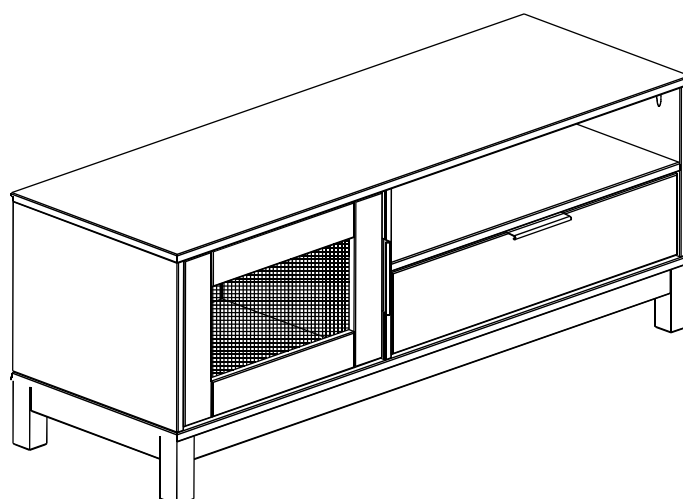


56420(MY)

CORONA RATTAN 1 DOOR 1 DRAWER TV UNIT

ASSEMBLY INSTRUCTIONS



IMPORTANT

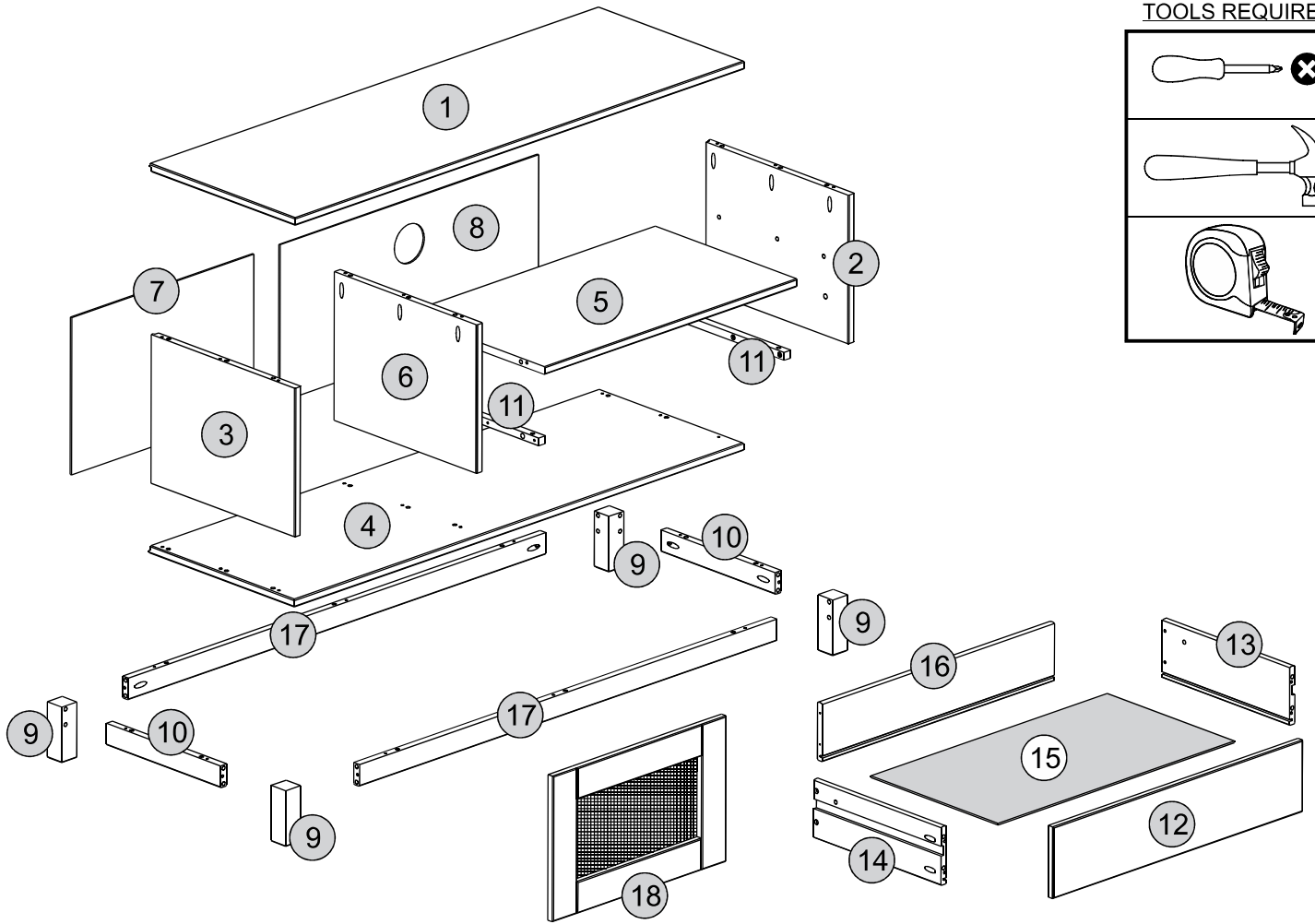
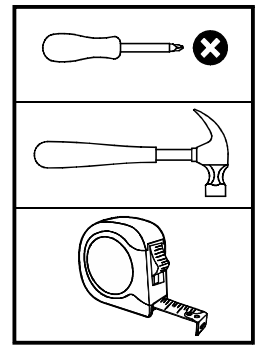
FOR DOMESTIC USE ONLY

PLEASE READ BEFORE YOU CONTINUE FURTHER

CARE AND MAINTENANCE

- After unpacking this product please keep the original packaging in case it needs to be returned for any reason.
- Please ensure all fittings and parts are present before commencing with assembly.
 - Never drag or push products as this could cause damage to the joints making it inferior.
 - We strongly recommend that you keep children away from your work area.
 - We recommend that you lay a blanket or sheet on the floor to avoid damage to both your floor and the product.
 - Assemble this product as close to its final position as possible.
 - Do not place this product next to a radiator or in direct sunlight.
 - Do not drag or push items across your high gloss furniture as this may cause the surface to scratch
 - Wood is a natural product and may expand if subjected to damp and may shrink or crack if subjected to heat. Therefore it is recommended that room temperature is maintained, with no sudden temperature fluctuations.
 - Make sure any spillage is wiped off immediately.
 - Do not place hot or chilled items directly on to the surface, use a place mat or marking will occur.
 - For general cleaning use a soft cotton or micro fibre cloth, and do not use detergents of any kind.
 - From time to time it may be necessary to tighten fittings, regular inspections should be carried out.
 - Do not place on a wet or damp floor as staining may occur to your floor.

TOOLS REQUIRED



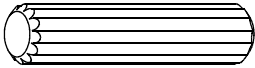


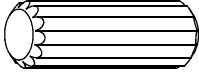


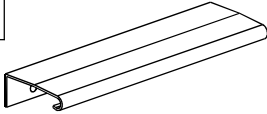



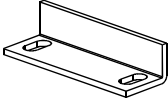
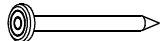
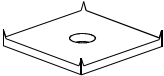

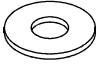
PARTS LIST

Please Note:

The below parts have all been stamped with the part number to help identify them during assembly.

Part Number	Part Code	Part Description	Quantity	Carton
1	S300-305-056-MY1-01	Top Panel	1	1/1
2	S300-305-056-MY1-02	Right Side Panel	1	1/1
3	S300-305-056-MY1-03	Left Side Panel	1	1/1
4	S300-305-056-MY1-04	Base Panel	1	1/1
5	S300-305-056-MY1-05	Shelf Panel	1	1/1
6	S300-305-056-MY1-06	Division Panel	1	1/1
7	S300-305-056-MY1-07	Back Panel (Small)	1	1/1
8	S300-305-056-MY1-08	Back Panel (Large)	1	1/1
9	S300-305-056-MY1-09	Leg	4	1/1
10	S300-305-056-MY1-10	Short Crossbeam	2	1/1
11	S300-305-056-MY1-11	Drawer Runner	2	1/1
12	S300-305-056-MY1-12	Drawer Front	1	1/1
13	S300-305-056-MY1-13	Right Drawer Side	1	1/1
14	S300-305-056-MY1-14	Left Drawer Side	1	1/1
15	S300-305-056-MY1-15	Drawer Bottom	1	1/1
16	S300-305-056-MY1-16	Drawer Back Panel	1	1/1
17	S300-305-056-MY1-17	Large Crossbeam	2	1/1
18	S300-305-056-MY1-18	Door	1	1/1

FITTINGS LIST


A  Dowel Ø8,0 x 30mm (58x) +2	B  Screw Ø3,5 x 30mm (40x) +2	C  Glue (1x)	D  Dowel Ø10,0 x 20mm (4x) +1
E  Screw Ø4,0 x 25mm (6x) +1	F  Screw Ø3,5 x 14mm (14x) +2	G  Knob (2x)	H  Screw Ø4,0 x 40mm (9x) +1
I  Hinge (Right) (2x)	J  Hinge (Left) (2x)	K  Door Stop (1x)	L  Nail 8 x 8 (25x) +1
M  Catcher (3x) +1	N  Strap (1x)	O  Washer (2x) +1	

STEP 1

PARTS REQUIRED

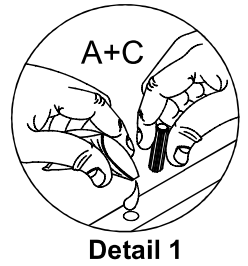
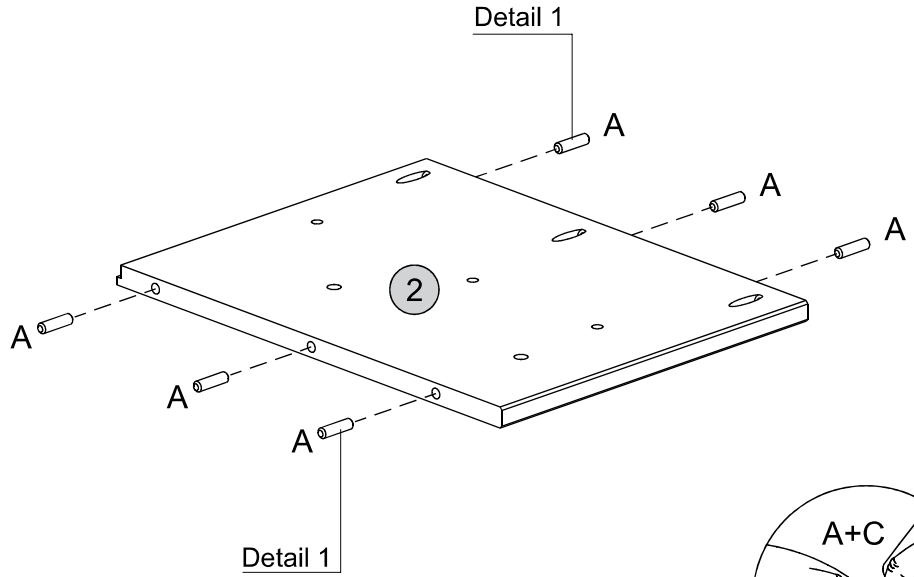
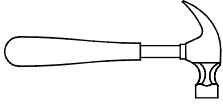
2 - Right Side Panel x1

HARDWARE REQUIRED

A  Ø8,0 x 30mm 06

C  Glue 01

TOOLS REQUIRED




STEP 2

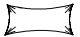
PARTS REQUIRED

5 - Shelf Panel x1

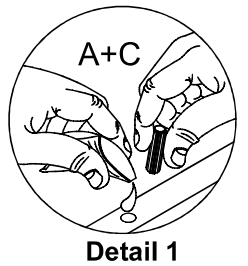
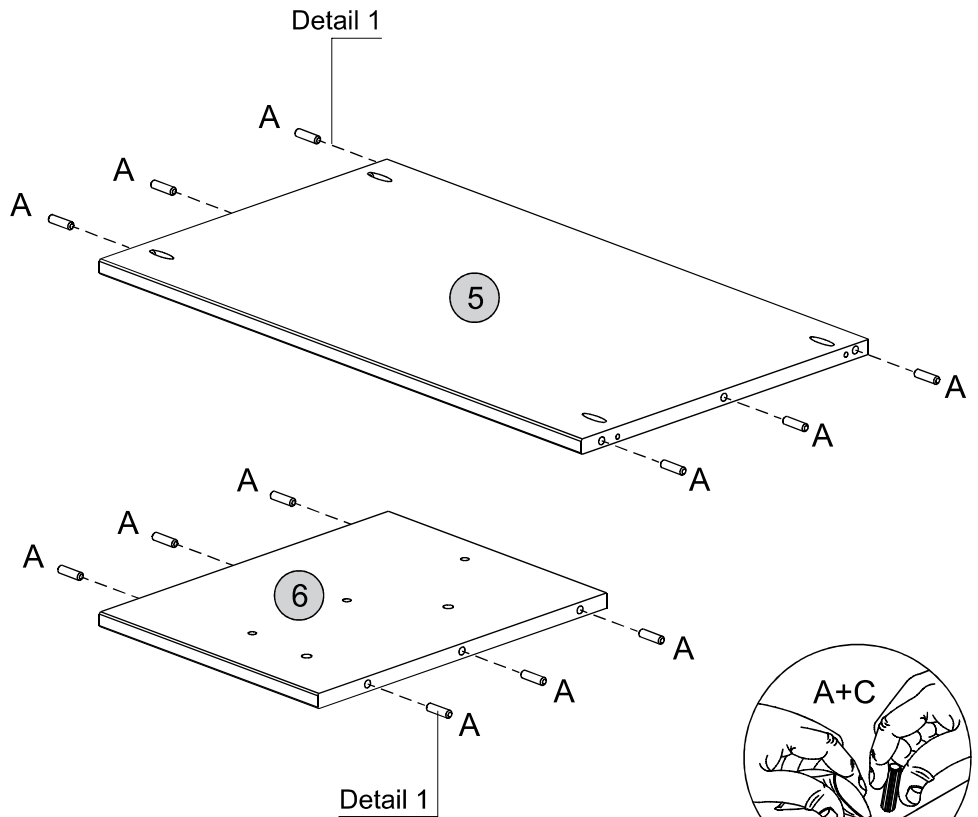
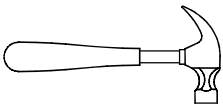
6 - Division Panel x1

HARDWARE REQUIRED

A  Ø8,0 x 30mm 12

C  Glue 01

TOOLS REQUIRED

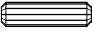


STEP 3


PARTS REQUIRED

3 - Left Side Panel x1

HARDWARE REQUIRED

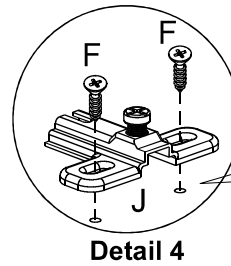
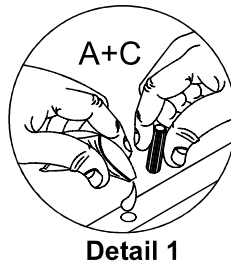
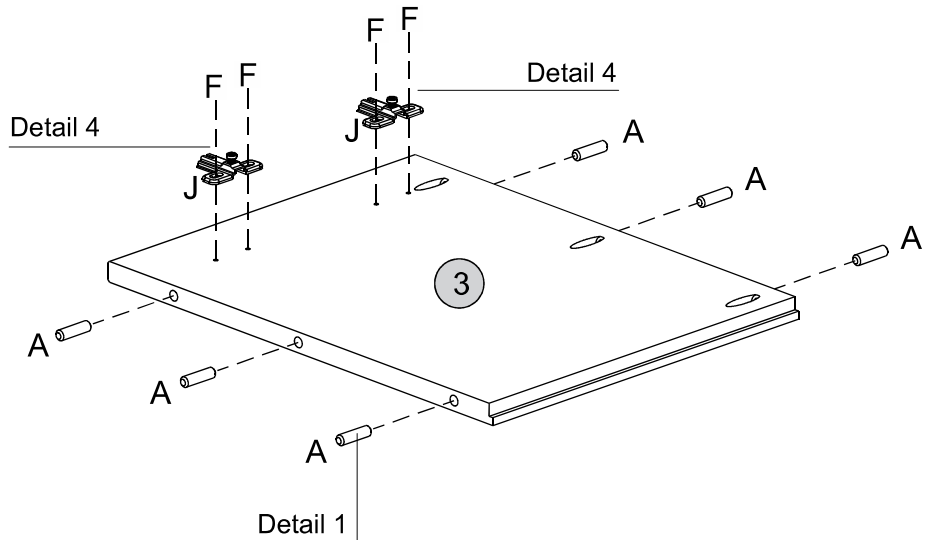
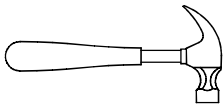
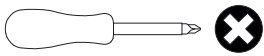
A  06
Ø8,0 x 30mm

C  01
Glue

F  04
Ø3,5 x 14mm

J  02
Hinge (Left)

TOOLS REQUIRED



Please note:
Pre-marked
Holes

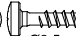
STEP 4

PARTS REQUIRED

1 - Top Panel x1


2 - Right Side Panel x1

HARDWARE REQUIRED

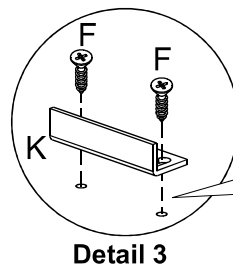
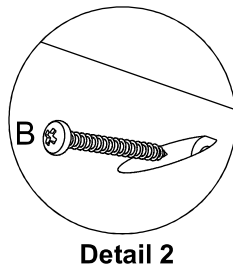
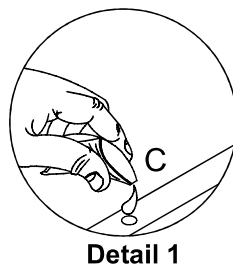
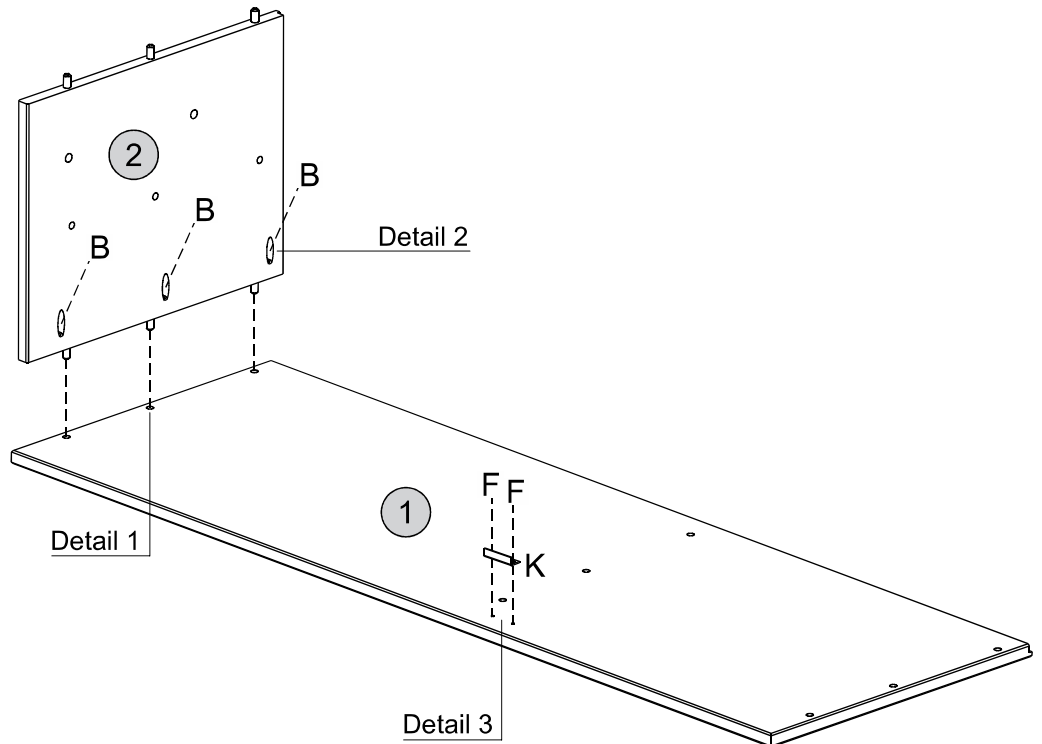
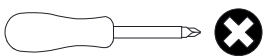
B  03
Ø3,5 x 30mm

C  01
Glue

F  02
Ø3,5 x 14mm

K  01
Door Stop

TOOLS REQUIRED



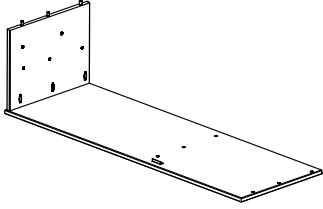
Please note:
Pre-marked
Holes

STEP 5


PARTS REQUIRED

5 - Shelf Panel x1

6 - Division Panel x1

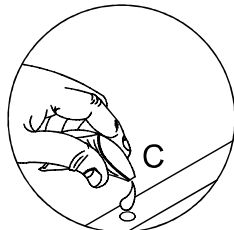
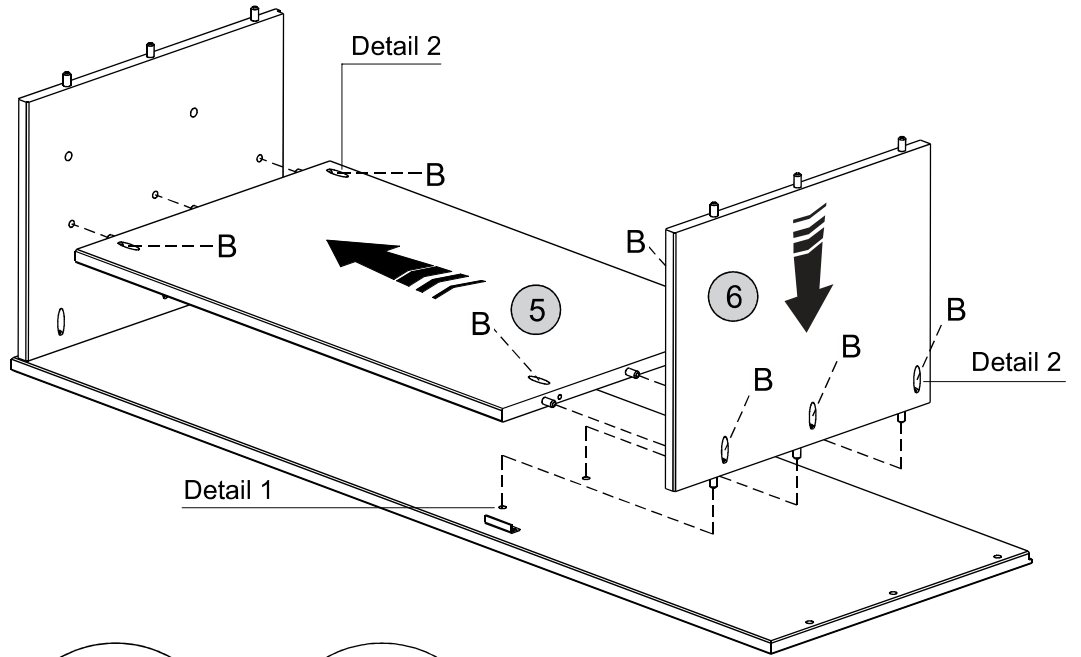
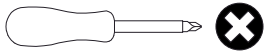


HARDWARE REQUIRED

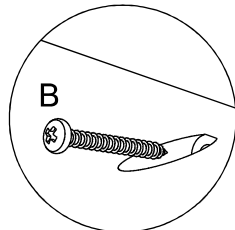
B  Ø3,5 x 30mm 07

C  Glue 01

TOOLS REQUIRED



Detail 1

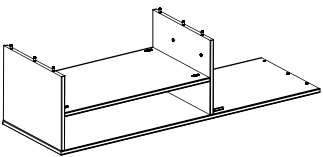


Detail 2

STEP 6

PARTS REQUIRED

3 - Left Side Panel x1

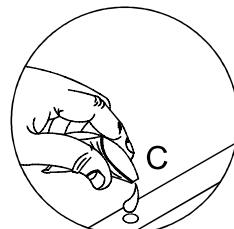
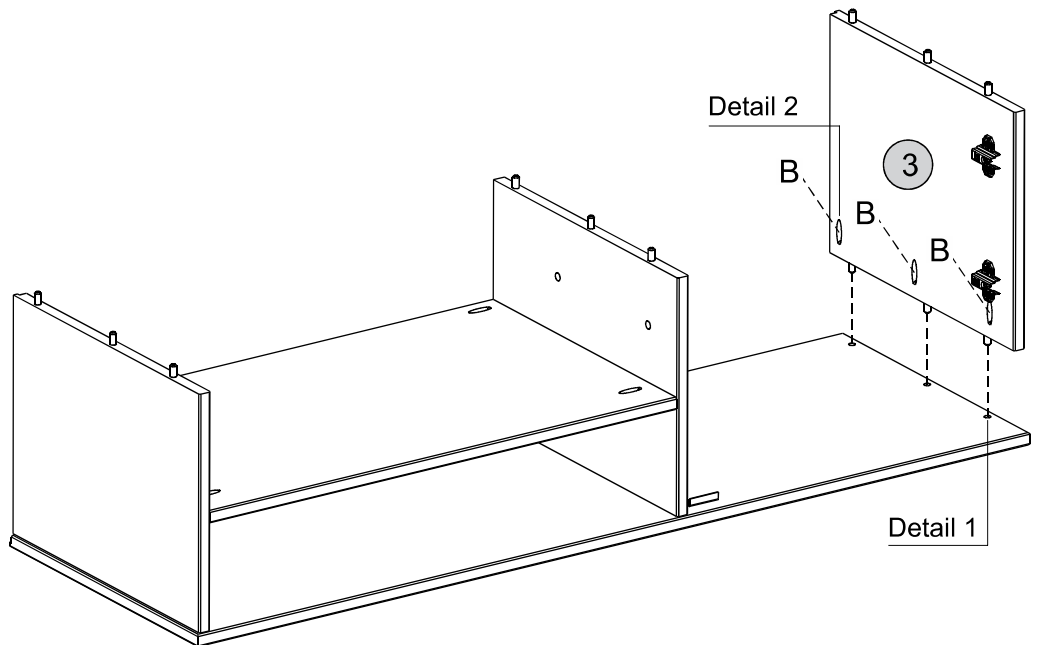


HARDWARE REQUIRED

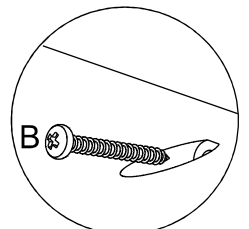
B  Ø3,5 x 30mm 03

C  Glue 01

TOOLS REQUIRED



Detail 1



Detail 2


STEP 7

PARTS REQUIRED

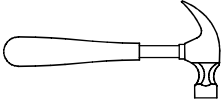
11 - Drawer Runner x2

HARDWARE REQUIRED

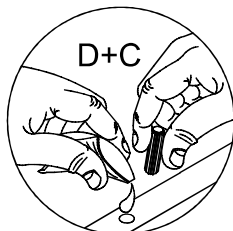
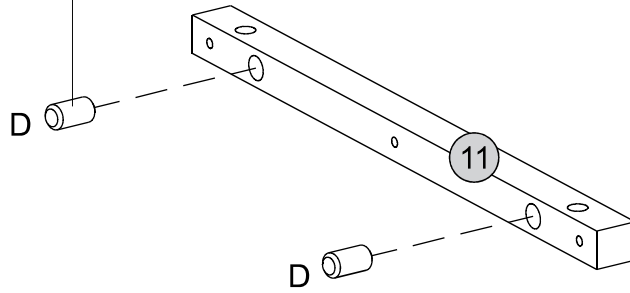
C  Glue 01

D  Ø10,0 x 20mm 04

TOOLS REQUIRED



Detail 5

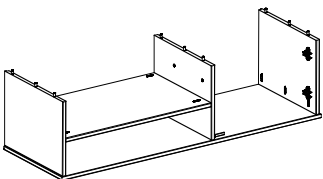


Detail 5

STEP 8

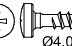
PARTS REQUIRED

11 - Drawer Runner x2

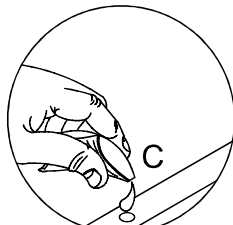
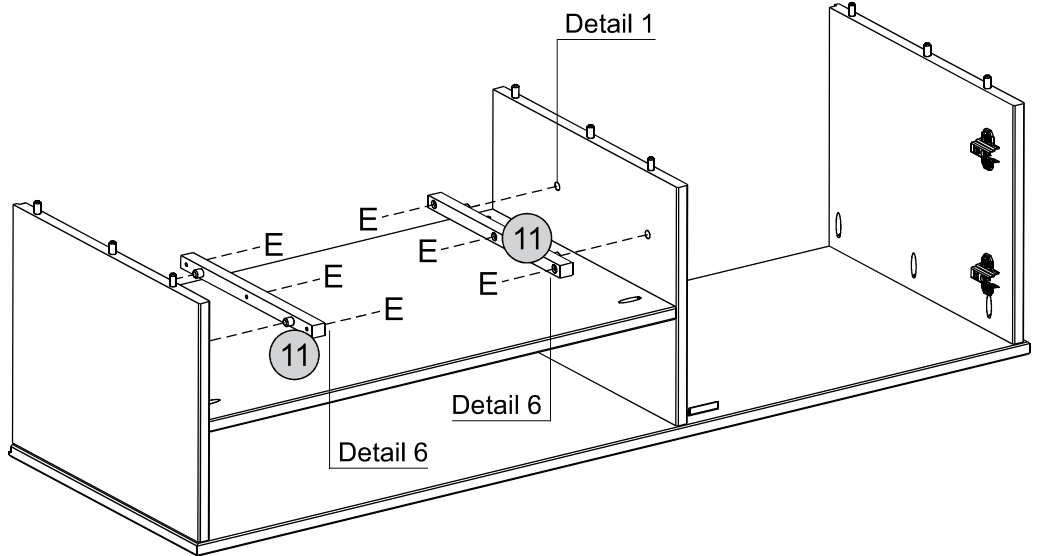
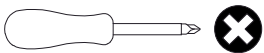


HARDWARE REQUIRED

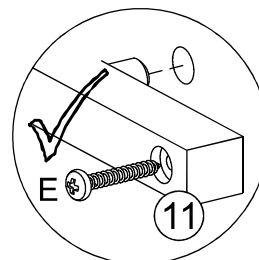
C  Glue 01

E  Ø4,0 x 25mm 06

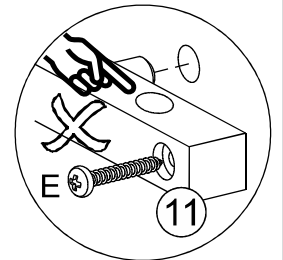
TOOLS REQUIRED



Detail 1



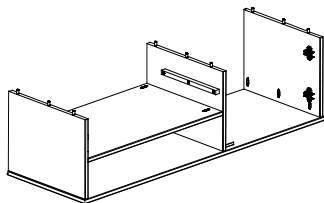
Detail 6



STEP 9

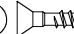
PARTS REQUIRED

4 - Base Panel x1

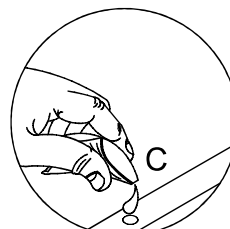
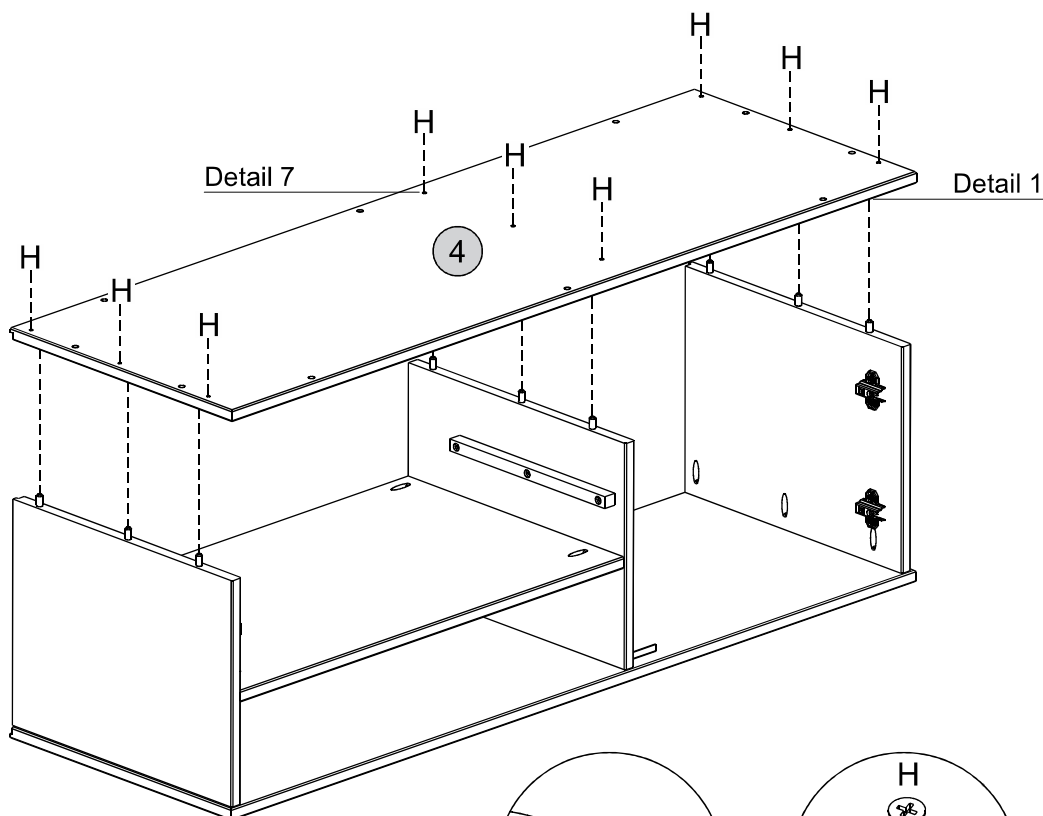
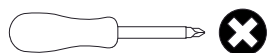


HARDWARE REQUIRED

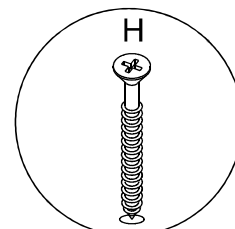
C  01
Glue

H  09
Ø4,0 x 40mm

TOOLS REQUIRED



Detail 1



Detail 7


STEP 10


PARTS REQUIRED

10 - Short Crossbeam x2

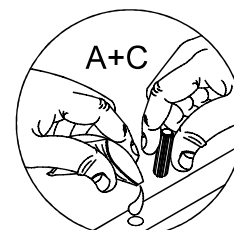
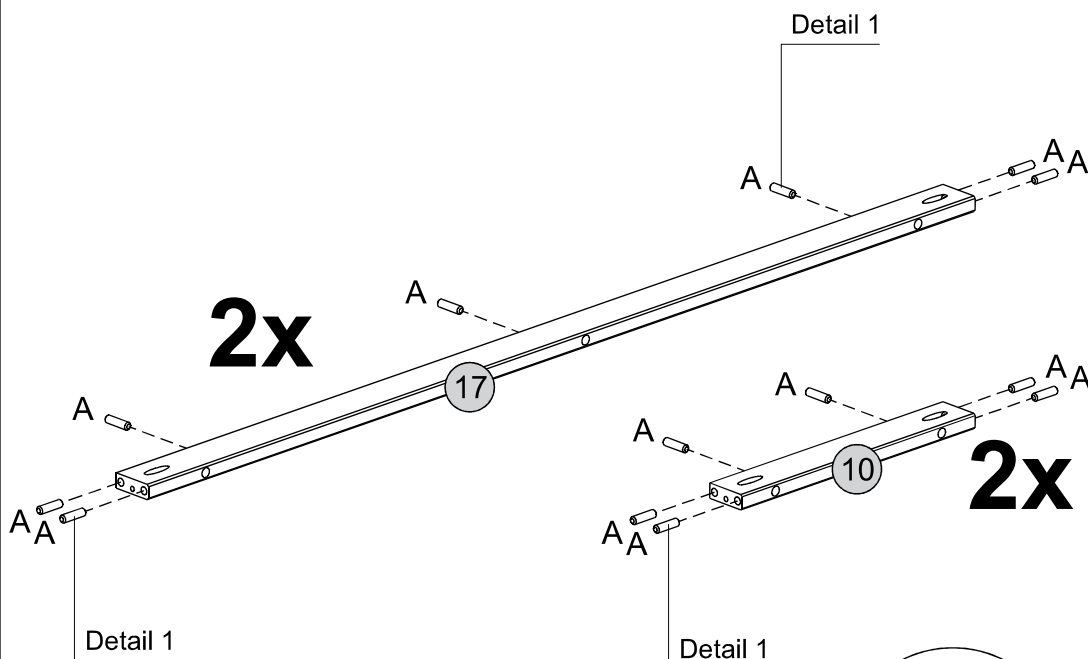
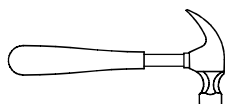
17 - Large Crossbeam x2

HARDWARE REQUIRED

A  26
Ø8,0 x 30mm

C  01
Glue

TOOLS REQUIRED



Detail 1


STEP 11

PARTS REQUIRED

9 - Leg x4

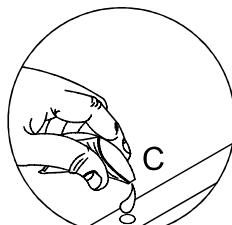
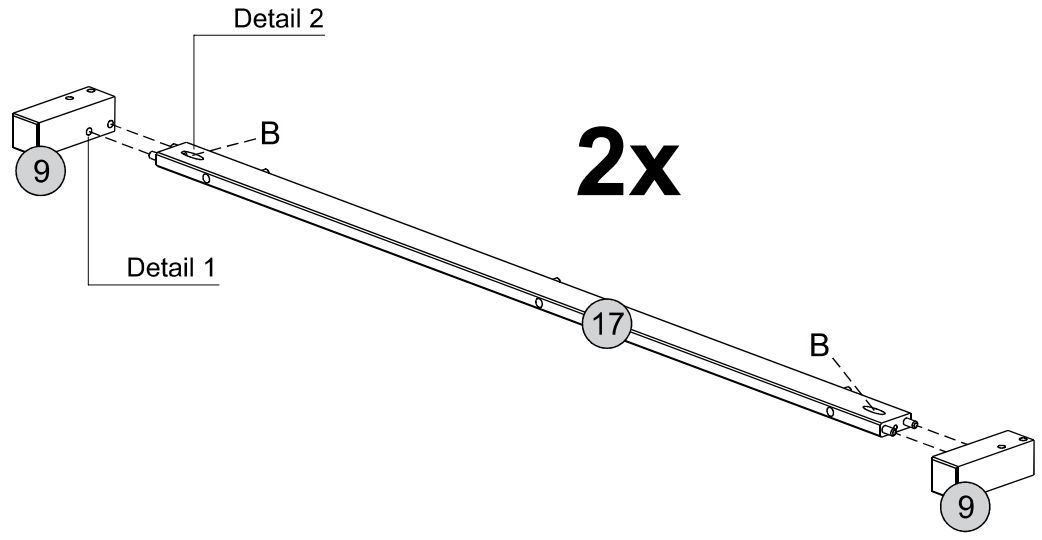
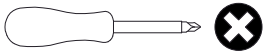
17 - Large Crossbeam x2

HARDWARE REQUIRED

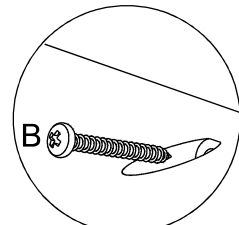
B  04
Ø3,5 x 30mm

C  01
Glue

TOOLS REQUIRED



Detail 1

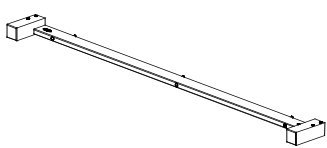


Detail 2


STEP 12

PARTS REQUIRED

10 - Short Crossbeam x2

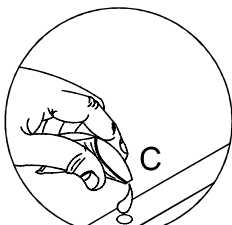
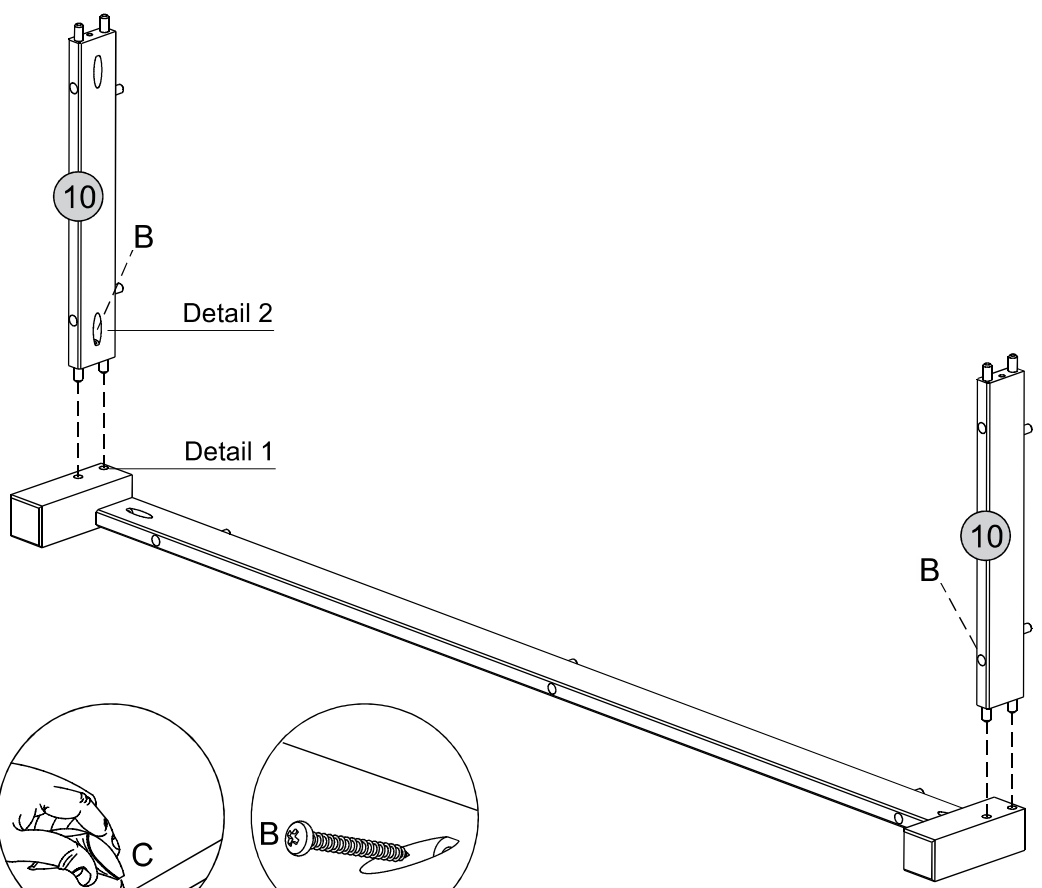
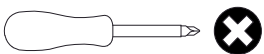


HARDWARE REQUIRED

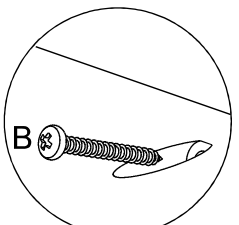
B  02
Ø3,5 x 30mm

C  01
Glue

TOOLS REQUIRED



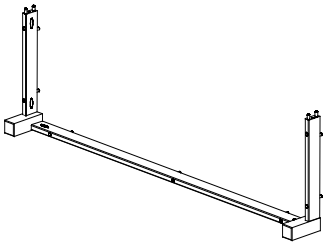
Detail 1



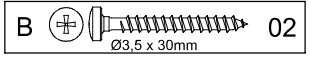
Detail 2

STEP 13

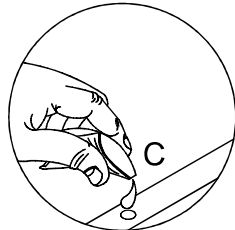
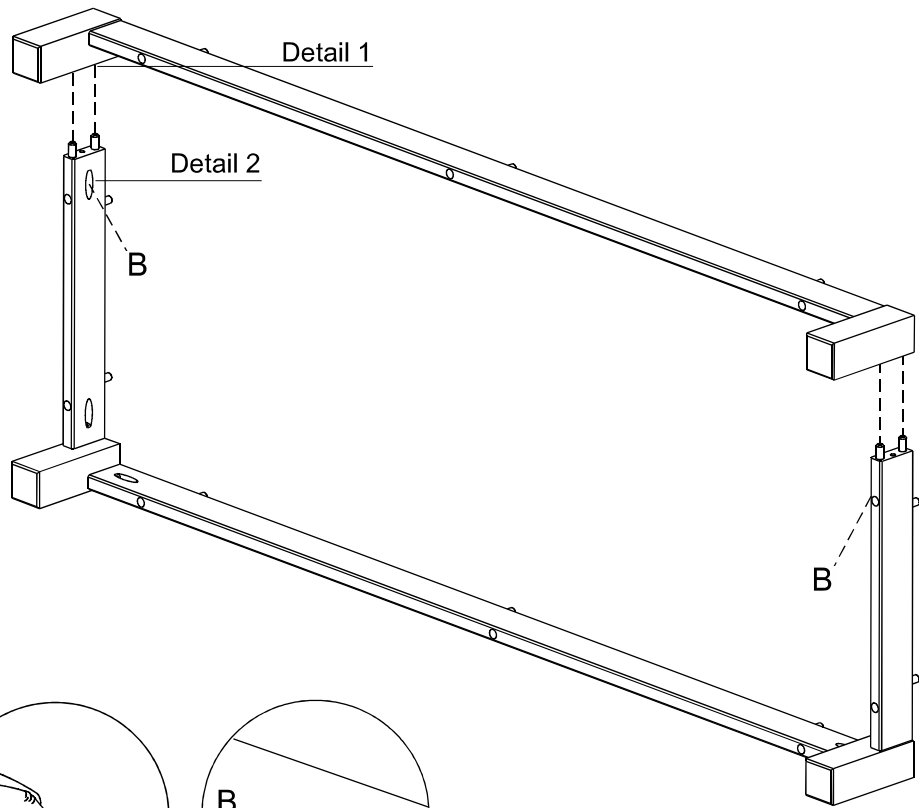
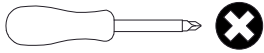
PARTS REQUIRED



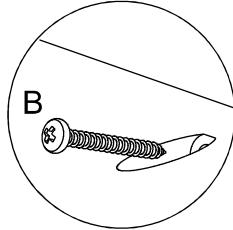
HARDWARE REQUIRED



TOOLS REQUIRED



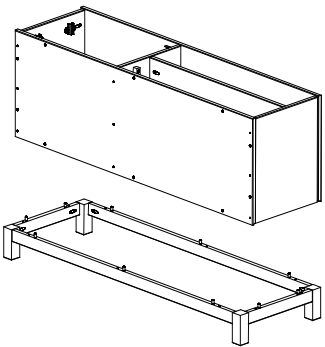
Detail 1



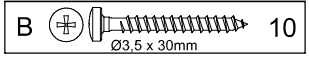
Detail 2

STEP 14

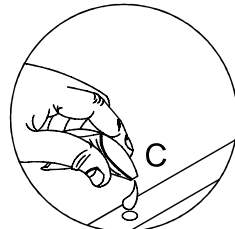
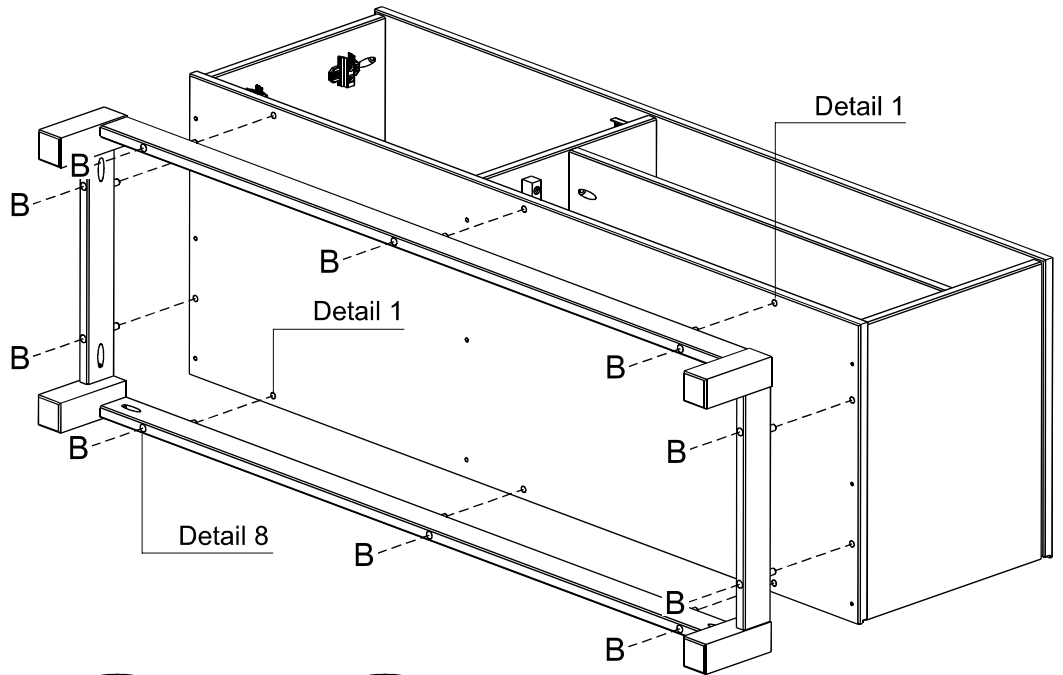
PARTS REQUIRED



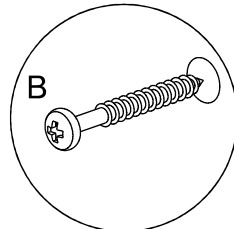
HARDWARE REQUIRED



TOOLS REQUIRED



Detail 1

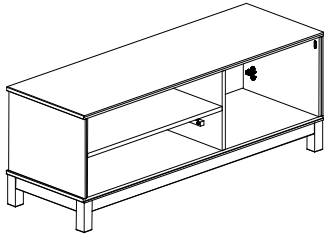


Detail 8

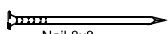

STEP 15

PARTS REQUIRED

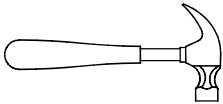
- 7 - Back Panel (Small) x1
- 8 - Back Panel (Large) x1



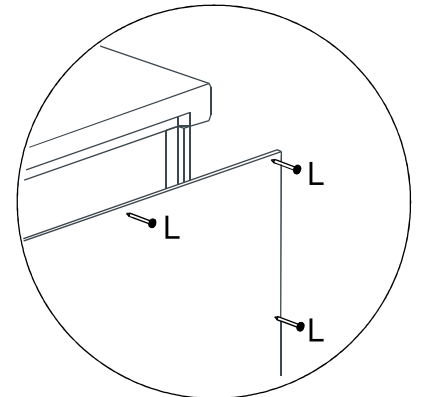
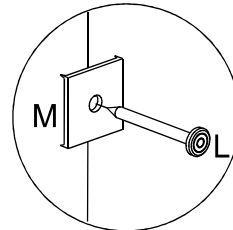
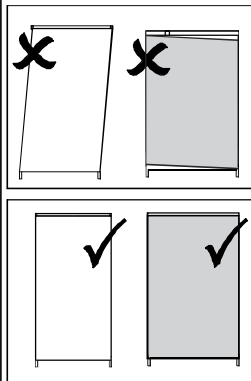
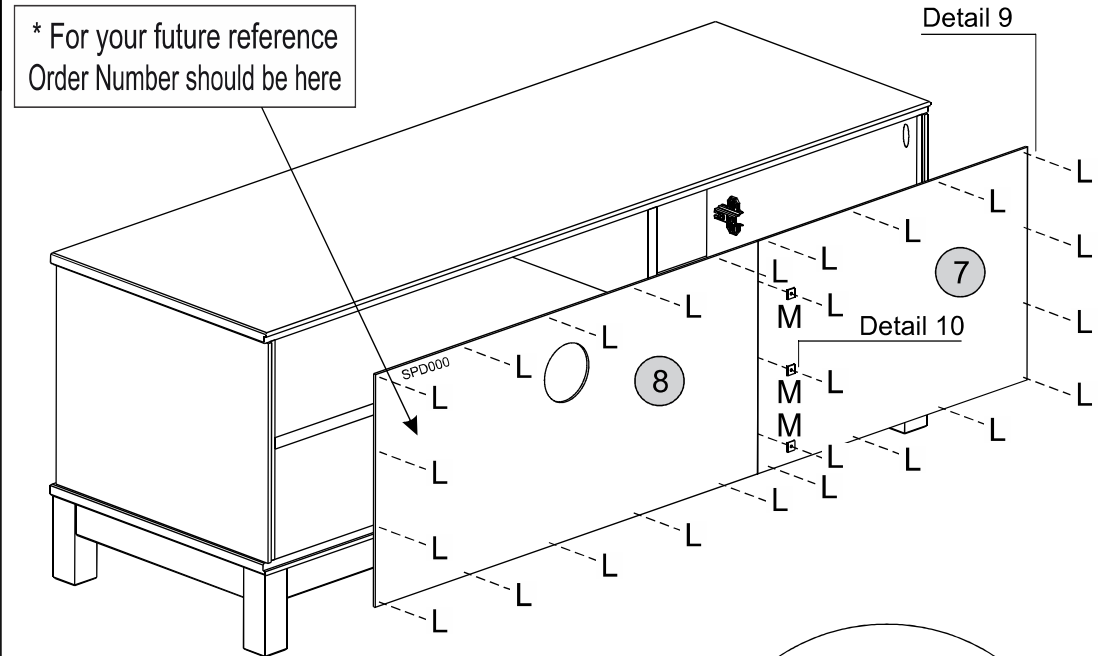
HARDWARE REQUIRED

- L  25
Nail 8x8
- M  03

TOOLS REQUIRED



* For your future reference
Order Number should be here

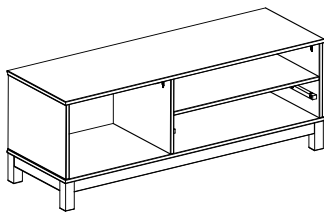


Detail 10


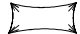
Detail 9

STEP 16

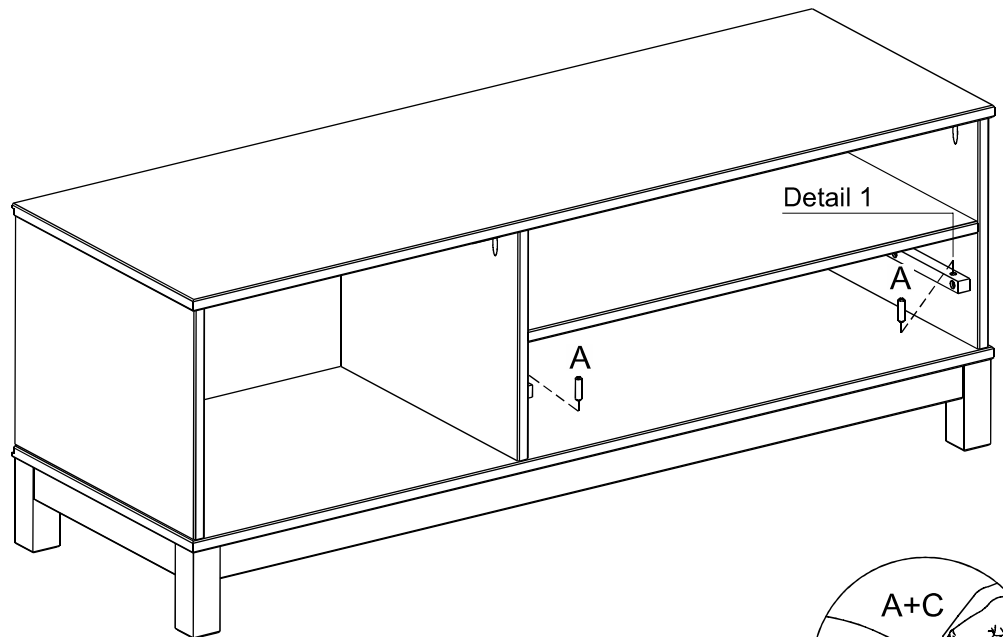
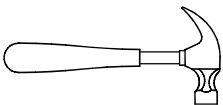
PARTS REQUIRED



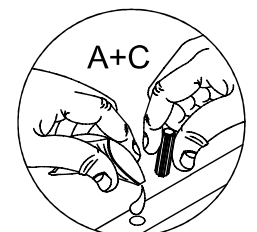
HARDWARE REQUIRED

- A  02
Ø8,0 x 30mm
- C  01
Glue

TOOLS REQUIRED



Detail 1



Detail 1


STEP 17


PARTS REQUIRED

13 - Right Drawer Side x1

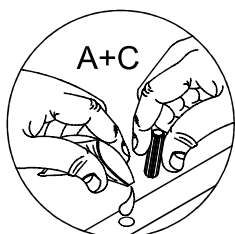
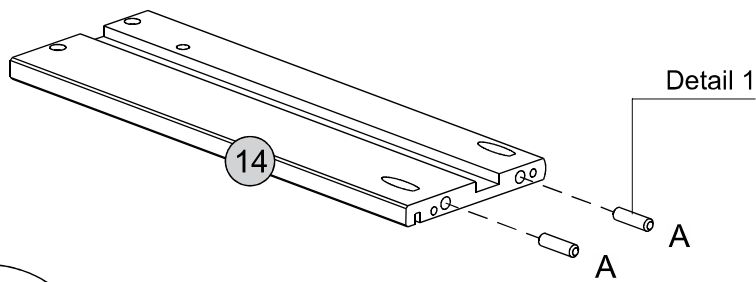
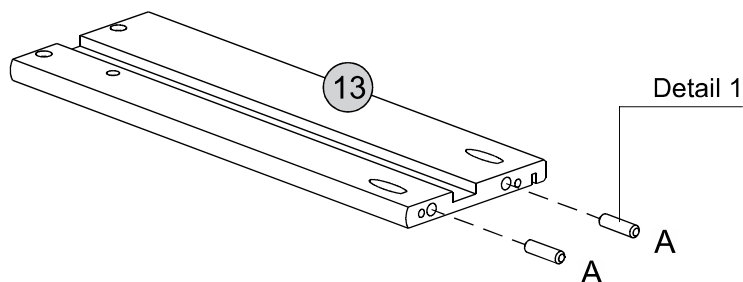
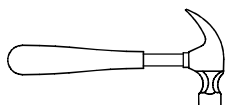
14 - Left Drawer Side x1

HARDWARE REQUIRED

A  04
Ø8,0 x 30mm

C  01
Glue

TOOLS REQUIRED



Detail 1

STEP 18

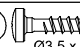
PARTS REQUIRED

12 - Drawer Front x1

13 - Right Drawer Side x1

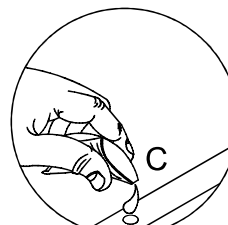
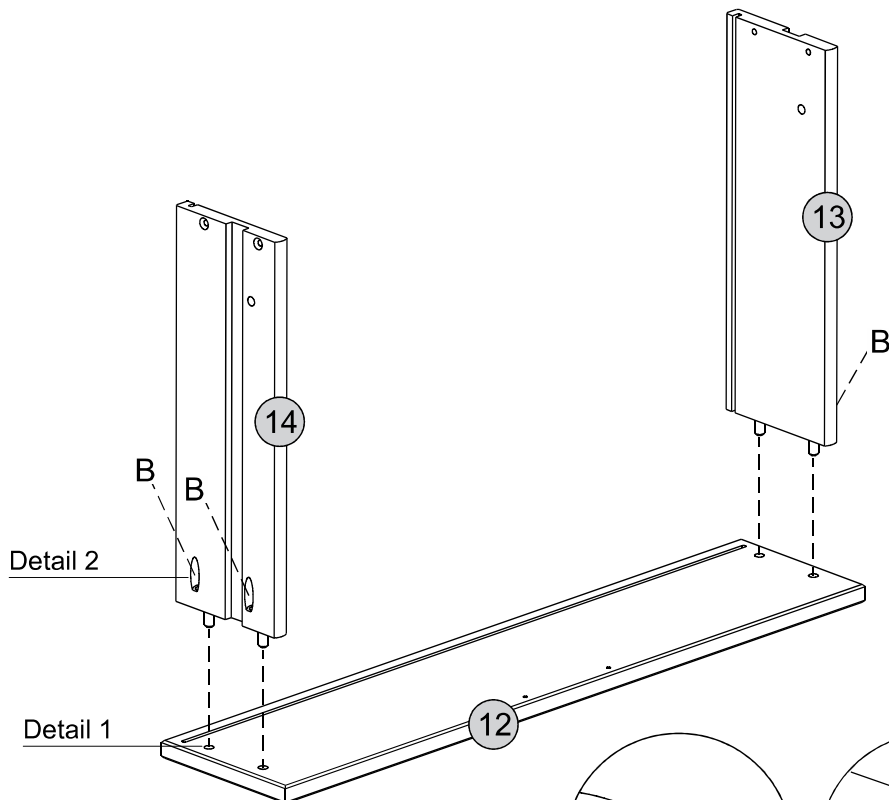
14 - Left Drawer Side x1

HARDWARE REQUIRED

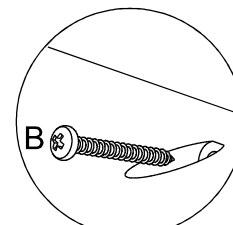
B  04
Ø3,5 x 30mm

C  01
Glue

TOOLS REQUIRED



Detail 1

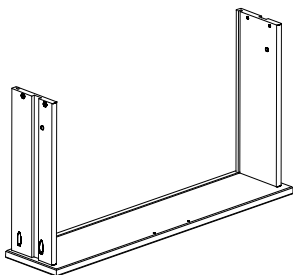


Detail 2

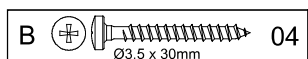
STEP 19

PARTS REQUIRED

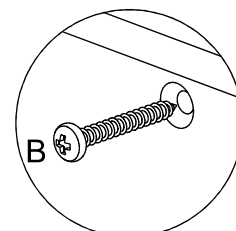
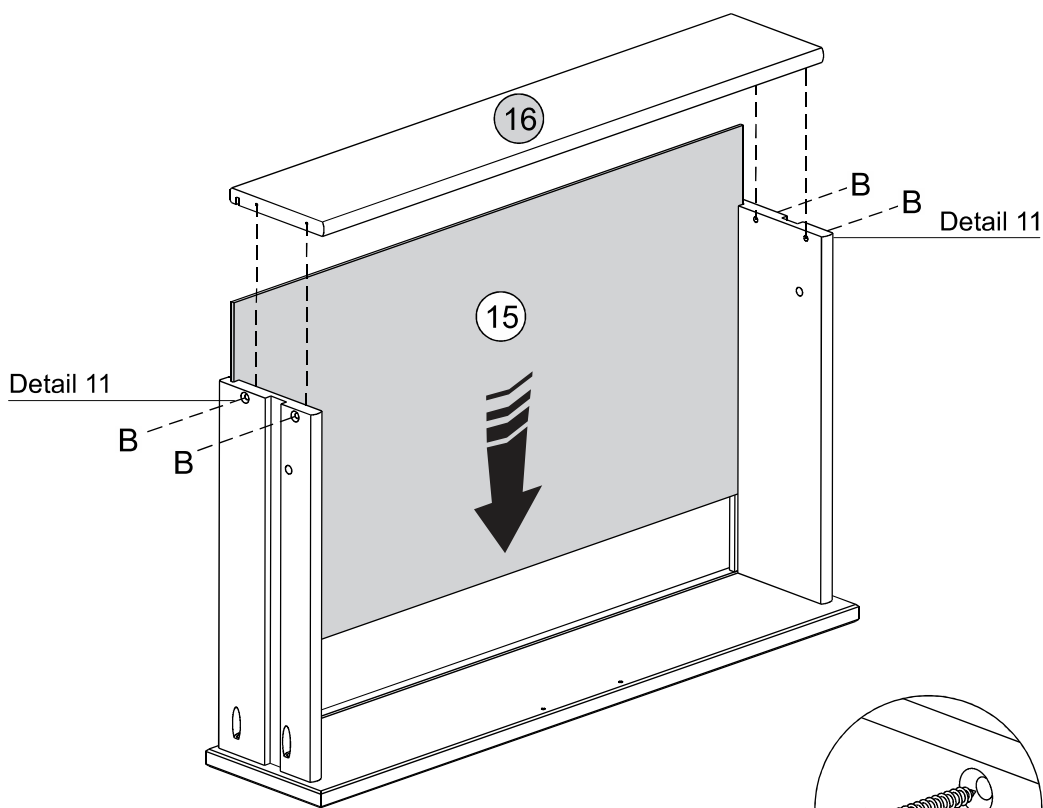
- 15 - Drawer Bottom x1
- 16 - Drawer Back Panel x1



HARDWARE REQUIRED



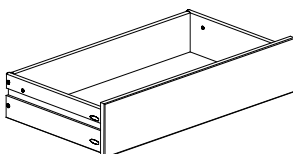
TOOLS REQUIRED



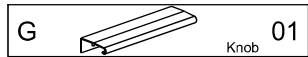
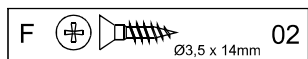
Detail 11

STEP 20

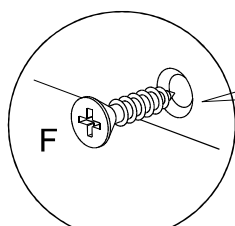
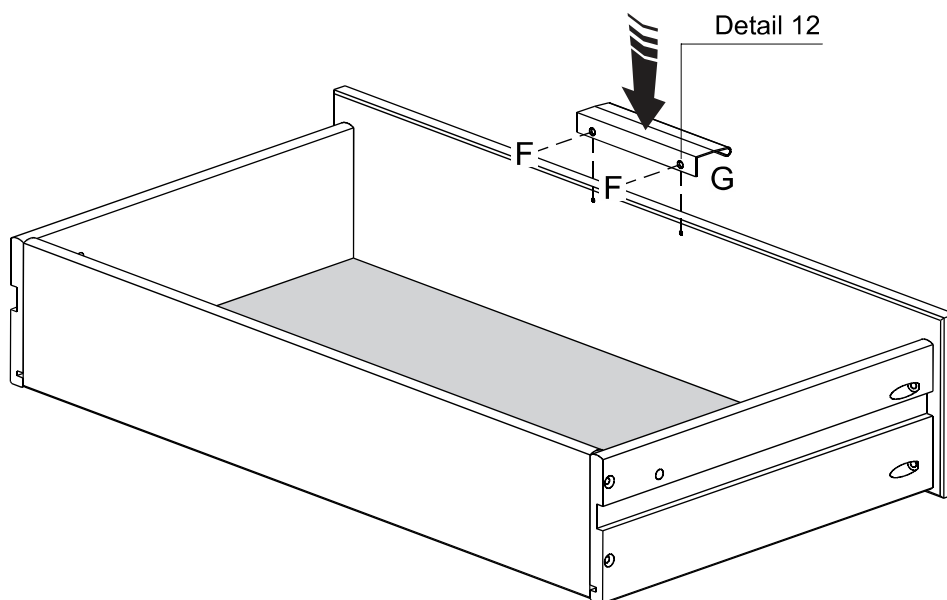
PARTS REQUIRED



HARDWARE REQUIRED



TOOLS REQUIRED

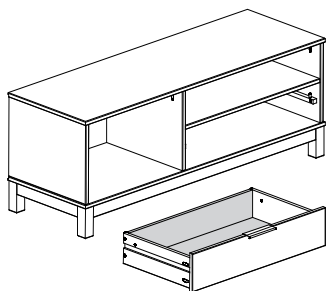


Detail 12

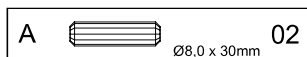
Please note:
Pre-marked
Holes

STEP 21

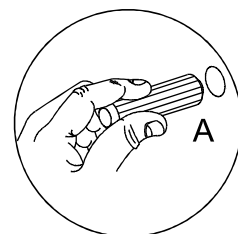
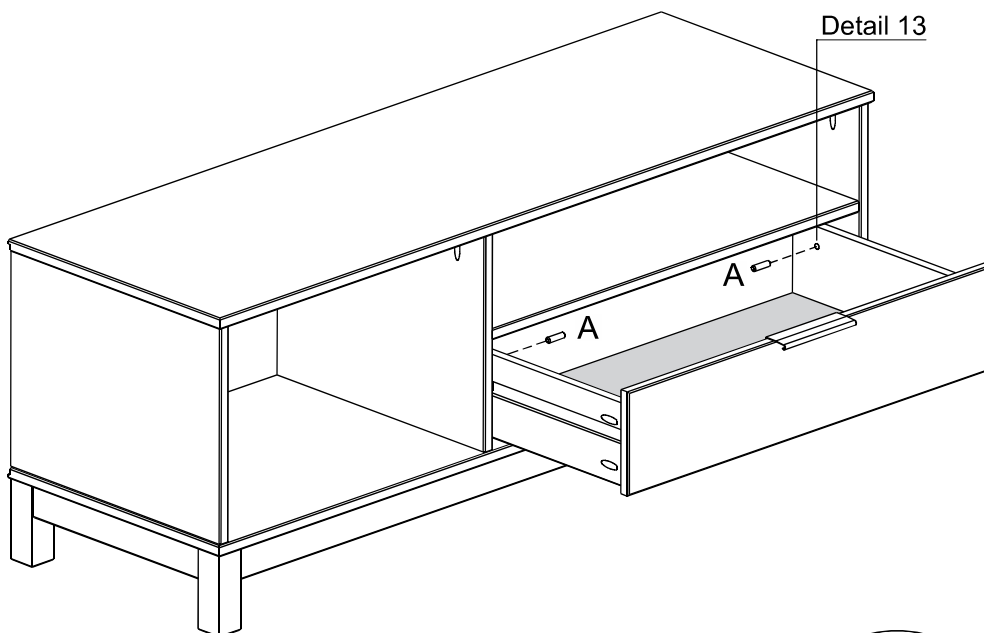
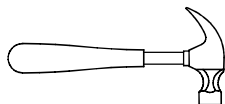
PARTS REQUIRED



HARDWARE REQUIRED



TOOLS REQUIRED



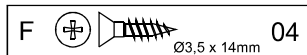
Detail 13

STEP 22

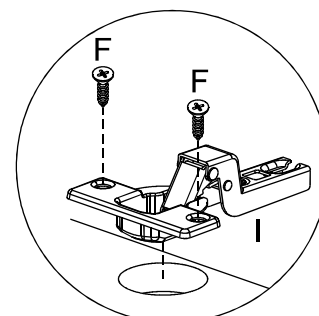
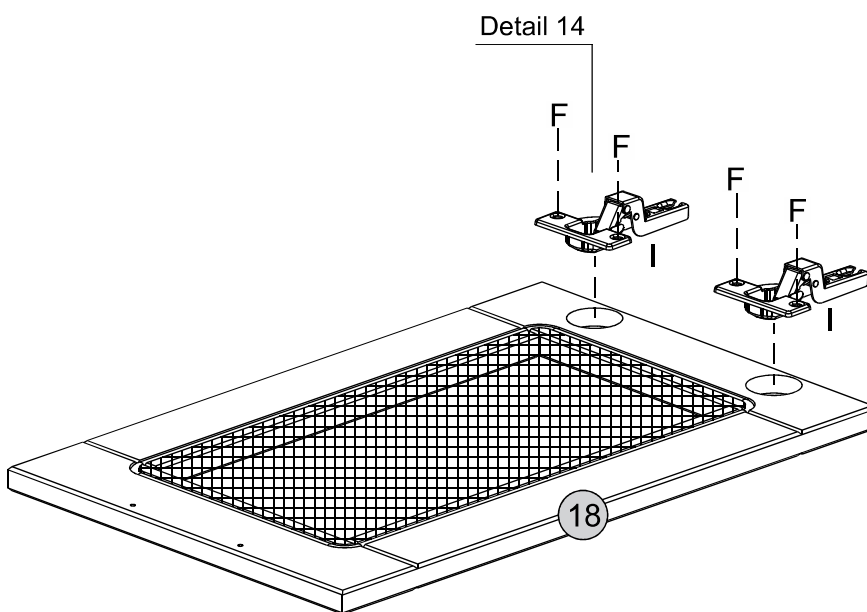
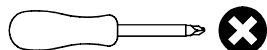
PARTS REQUIRED

18 - Door x1

HARDWARE REQUIRED



TOOLS REQUIRED

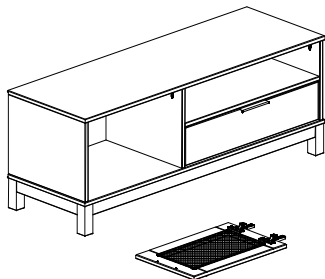


Detail 14

STEP 23

PARTS REQUIRED

18 - Door x1

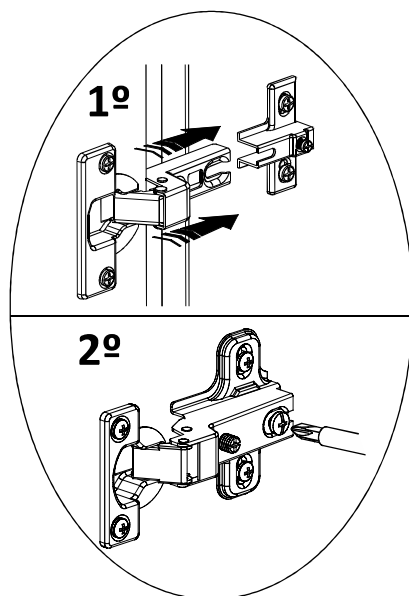
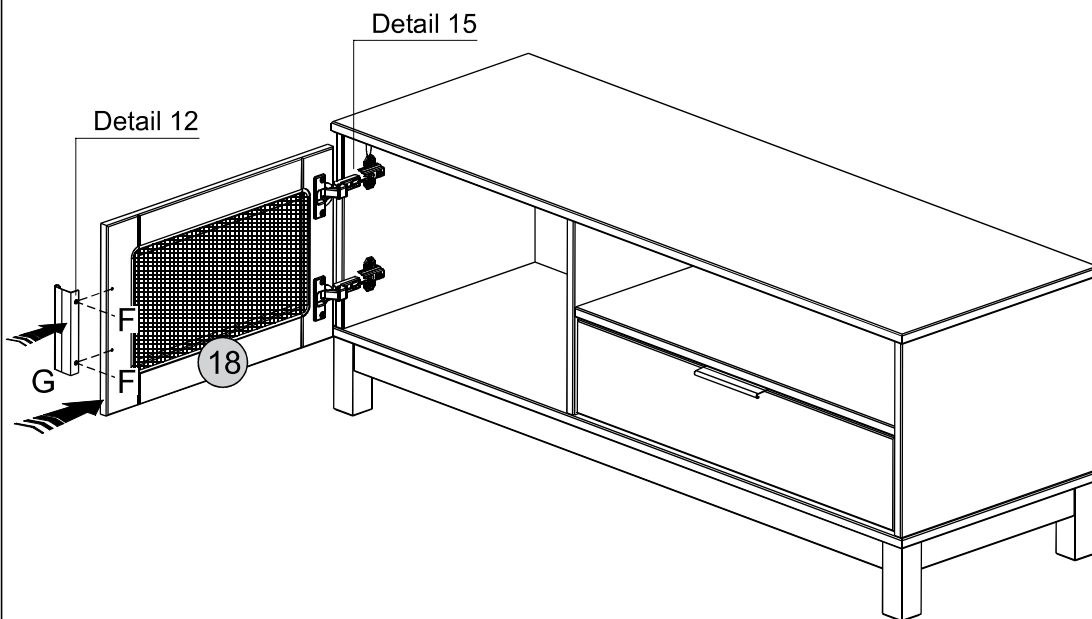
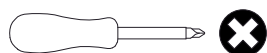


HARDWARE REQUIRED

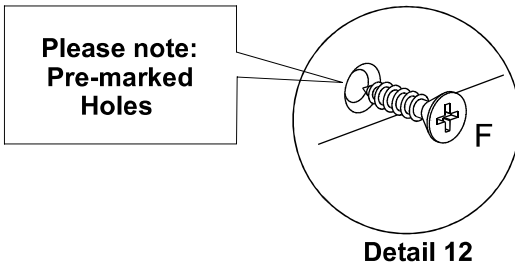
F 02
Ø3,5 x 14mm

G 01
Knob

TOOLS REQUIRED

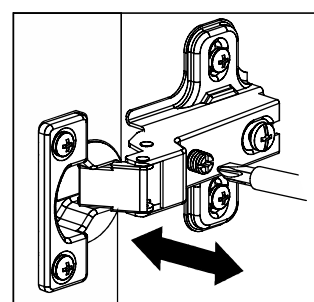
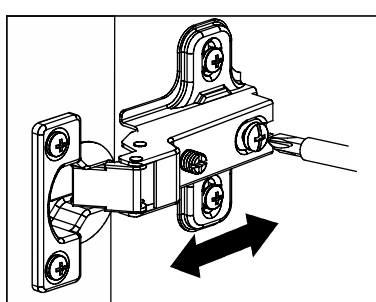
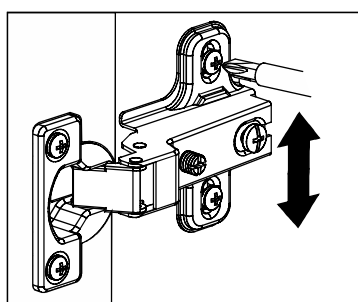


Detail 15



Detail 12

ADJUSTMENTS

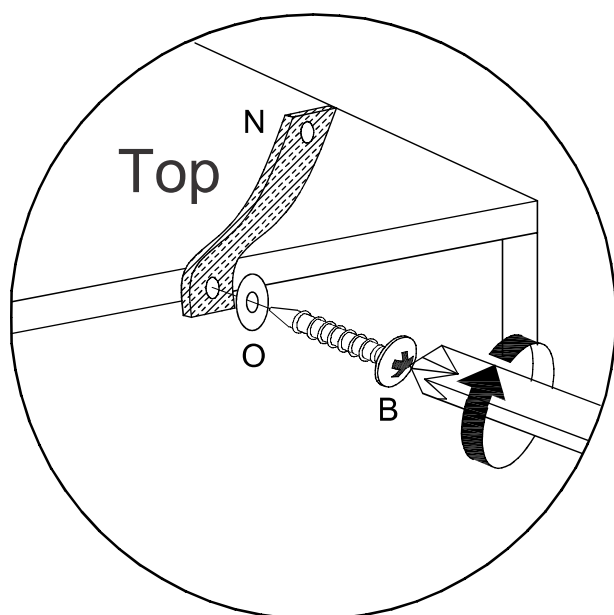



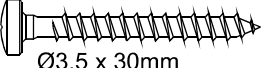


WARNING

Serious or fatal injuries can occur from furniture tipping over. To prevent the furniture from tipping over we recommend that it is permanently fixed to the wall.

Wall fixings are not supplied with this product as different wall materials require different types of fixing devices.

Please make sure you use fixings suitable for the walls in your home.



B			01
N			01 Strap
O			02 Washer

