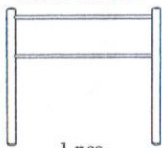
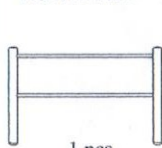









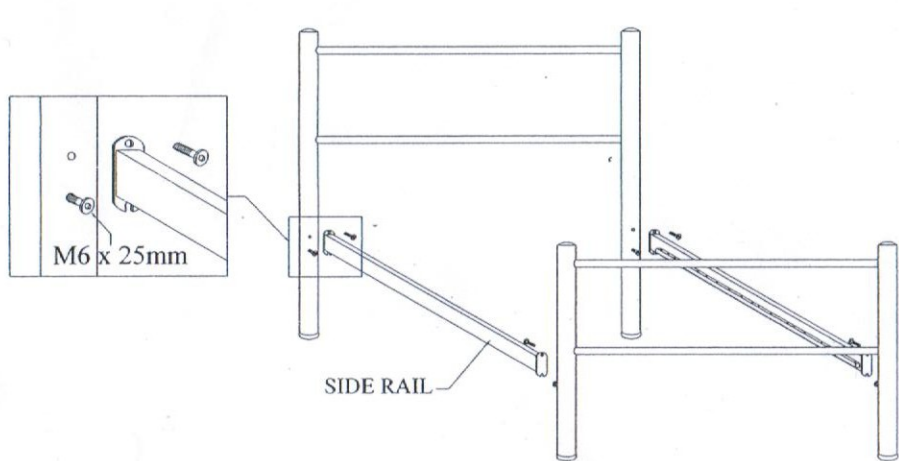


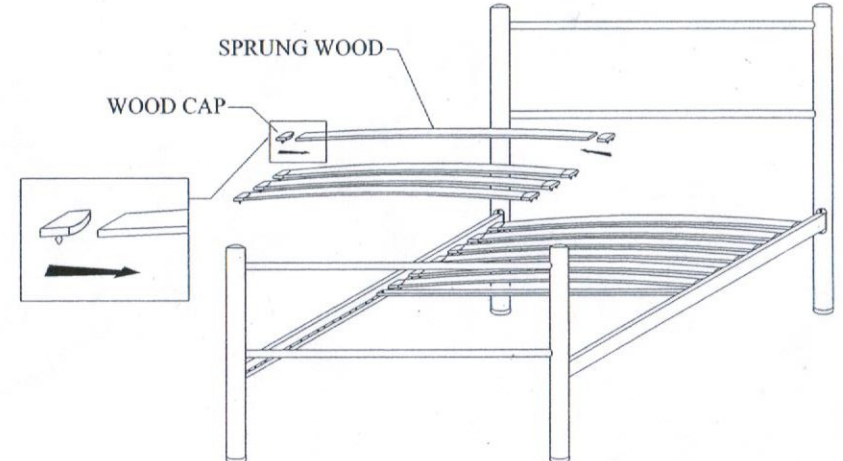
MODEL : METAL POST / SPRUNG WOOD BED BASE  
 SIZE : SINGLE BED

# ASSEMBLY INSTRUCTION

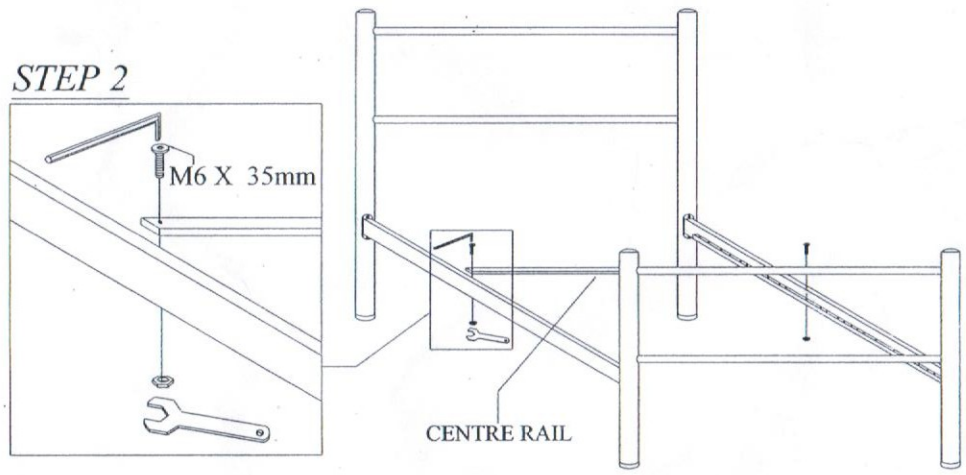
Part List					Hardware					
HEAD BOARD  1 pcs	FOOT BOARD  1 pcs	SIDE RAIL  2 pcs	CENTRE CROSS RAIL  1 pcs	SPRUNG WOOD  12 pcs	WOOD CAP  24 pcs	M6 X 25mm  8 pcs	M6 X 35mm  2 pcs	M6 HEX NUT  2 pcs	ALLEN KEY M4  1 pcs	SPANNER  1 pcs



Step 1

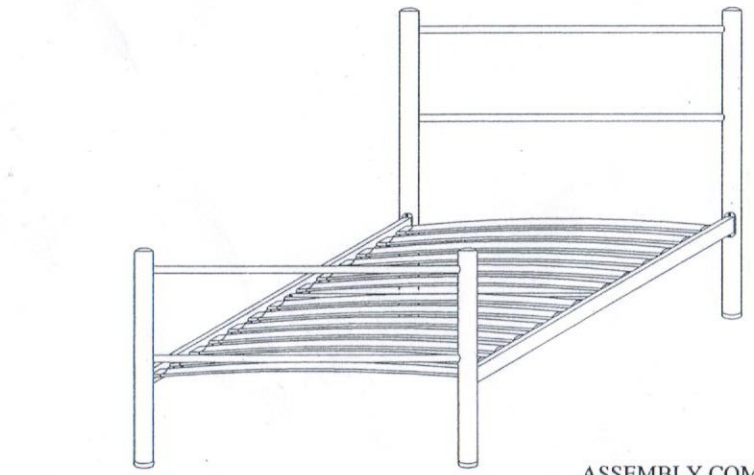


Step 3



Step 2

STEP 4



ASSEMBLY COMPLETE

**\*CAUTION!**  
 Do not tight screw left around 5mm before completely assembled.