







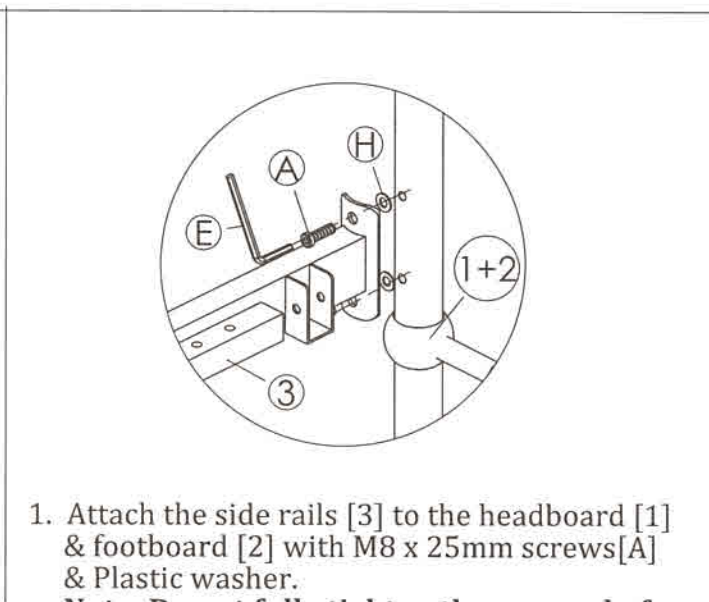
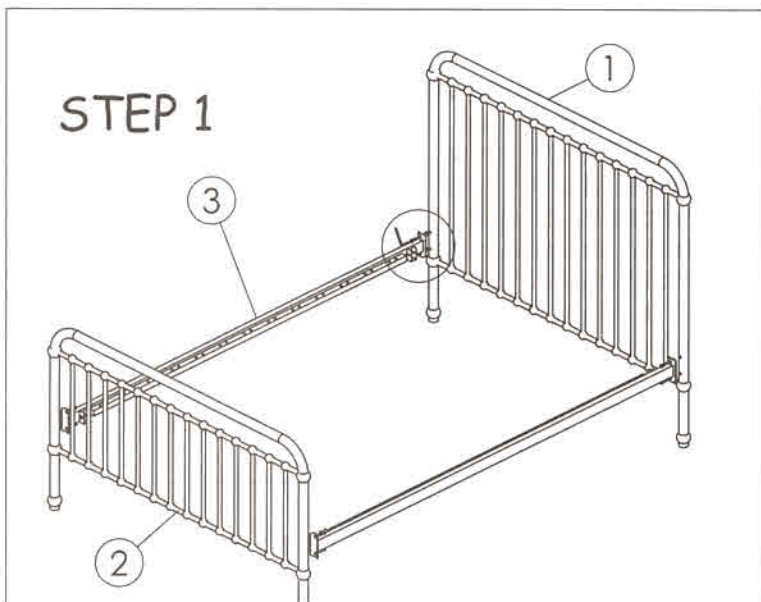


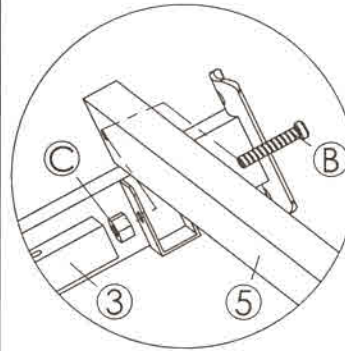
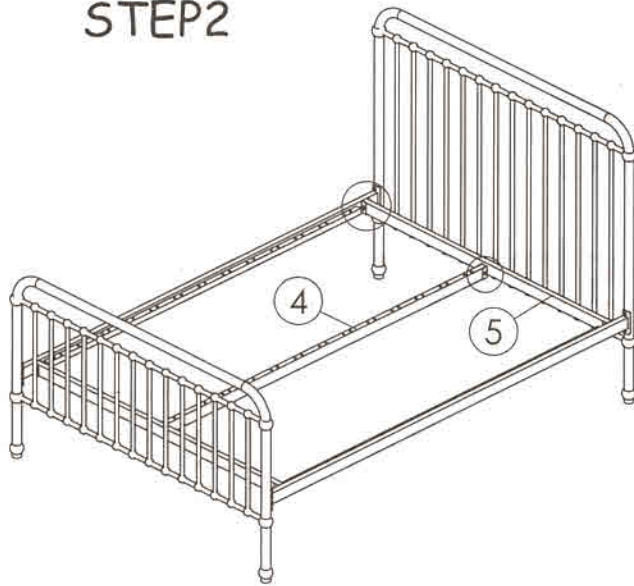


Assembly Instructions

Hardware List	PART LIST
A. M8 X 25 JCBC Screw 8 Pcs 	1. Headboard 1 Pc
B. 1/4 X 40 JCBC Screw 6 Pcs 	2. Footboard 1 Pc
C. 1/4 Hex Nut 6 Pcs 	3. Side rails 2 Pcs
D. M4 Allen Key 1 Pc 	4. Centre Rail 1 Pc
E. M5 Allen Key 1 Pc 	5. Width Bars 2 Pcs
F. End slat caps 26 Pcs 	6. Slats 26 Pcs
G. Centre slat caps 13 Pcs 	
H. Plastic Washer 8 Pcs 	

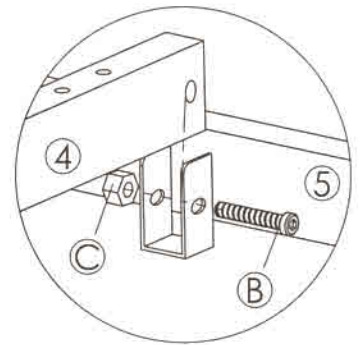


STEP 2

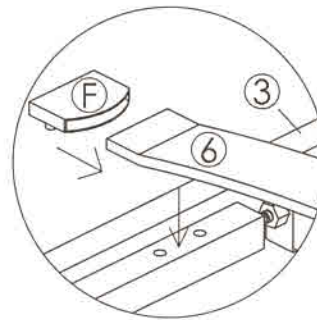


2.1 Place the width bars [5] into their corresponding "U" shaped brackets on the side rails [3]. Tightly secure the width bar [5] using the 1/4"x40mm screw [B] and nut [C].

2.2 Place the centre rail [4] into its corresponding "U" shaped brackets on the width bars [5]. Tightly secure the centre bar using the 1/4"x40mm screw [B] and Nut [C].



STEP 3



3.1 Insert the slats [6] into the end slat cap [F] and fix it to the corresponding holes on the side rail.

3.2 Slot the first slat [6] into the centre cap [G] and insert a second slat [6] into the centre cap [G] on the opposite side. Attach an end slat cap [F] to the second slat before pressing the caps into the corresponding holes on the centre rail [4] and side rail [3].

