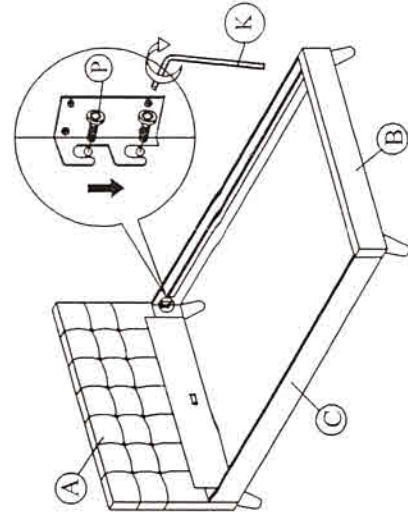
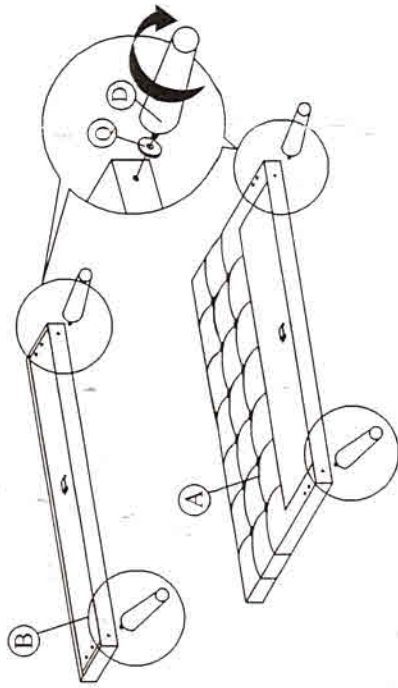


ASSEMBLY INSTRUCTION

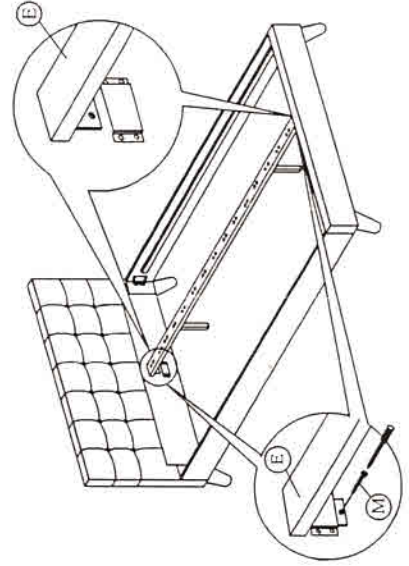
Step 2 : Attach side rail (C) to footboard (B) first follow by headboard (A) by pushing the bracket down to fit it.



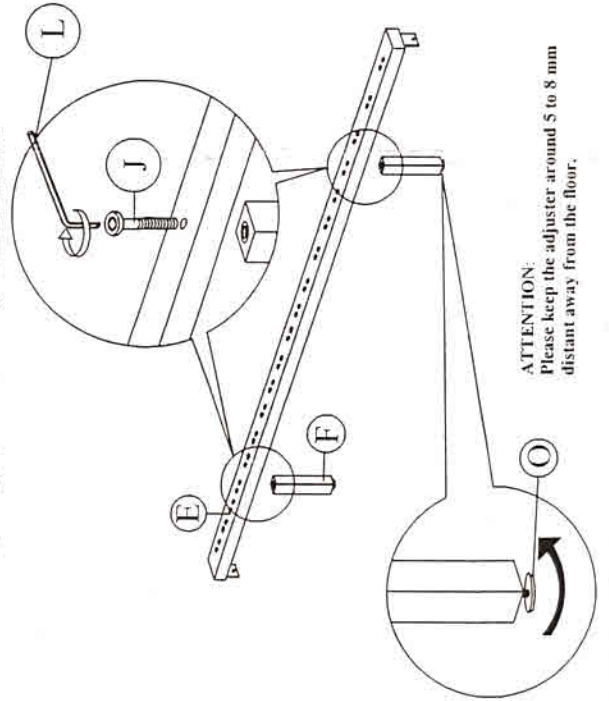
Step 1 : Install the legs (D) to footboard (B) and headboard (A). Tighten the legs



Step 4 : Slide the center rail (E) to the headboard (A) and footboard (B). Tighten screws (M) using screw driver (not included) to the headboard (A) and footboard (B).



Step 3 : Attach the support legs (F) to the center rail (E) of the bed as shown.



ATTENTION:
Please keep the adjuster around 5 to 8 mm distant away from the floor.

MODEL : CF 9058 (4'6")

A	1 pc
B	1 pc
C	2 pcs
D	4 pcs
E	1 pc
F	2 pcs
G	26 pcs
H	13 pcs
I	26 pcs
J	2 pcs JCBGM6 X 40
K	1 pc M5 x 70 mm
L	1 pc M4 x 65 mm
M	2 pcs CSK M4 x 25mm
N	3 pcs CSK M4 x 32mm
O	2 pcs Adjuster
P	8 pcs JCBM4 X 20
Q	4 pcs NG35 Washers
R	1 pc Stiffener Slat (3 Holes)

Step 5 : Tighten all the 4 corner ,follow by assembly of the slat holders with LVL slats as shown.

