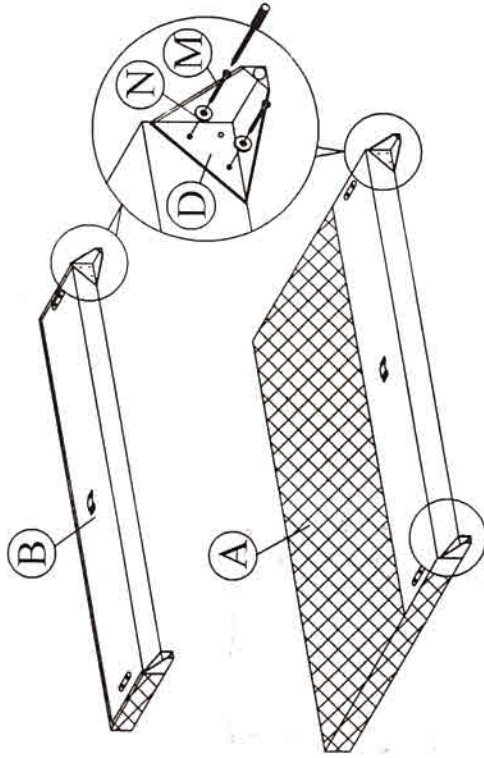
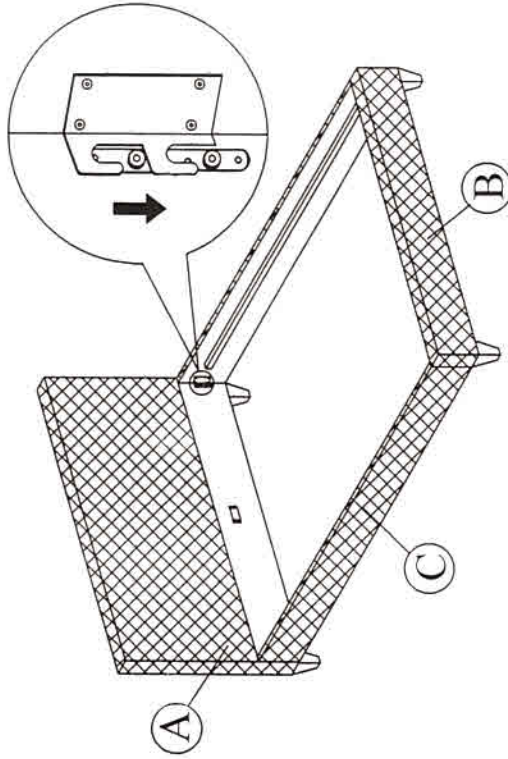


ASSEMBLY INSTRUCTION

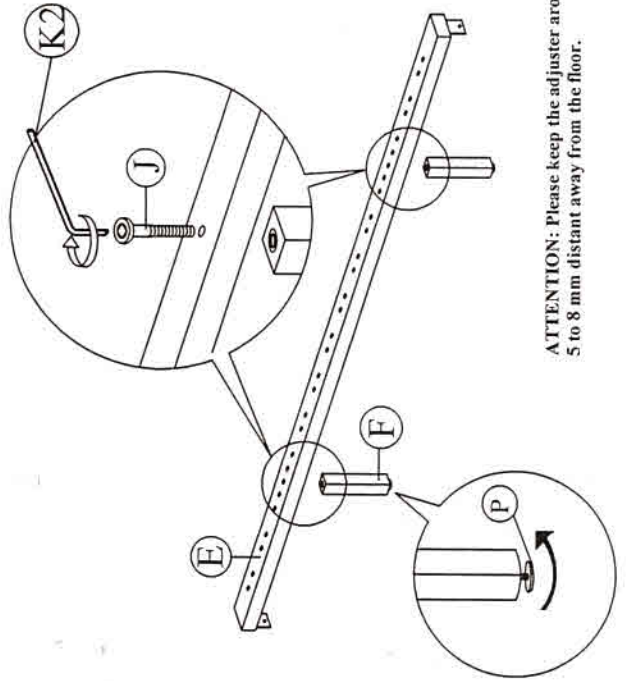
Step 1: Tighten the legs (D) to both headboard (A) and footboard (B) as shown.



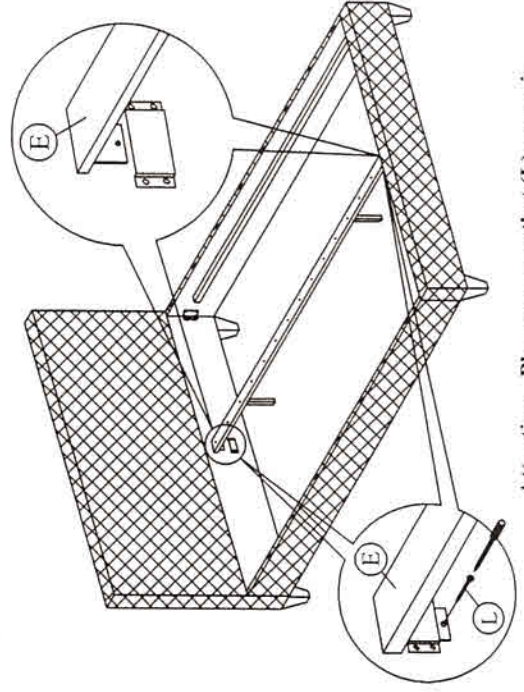
Step 2: Attach side rail (C) to headboard (A) and footboard (B) by pushing the bracket down to fit it.



Step 3: Attach the support legs (F) to the center rail (E) of the bed as shown.







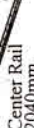






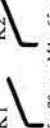
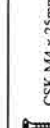



Step 4: Slide the center rail (E) to the headboard (A) and footboard (B). Tighten screws (L) using screw driver (not included) to the headboard (A) and footboard (B).



Attention : Please ensure that (L) screw is being attach as per the A.I shown to avoid base being collapse.

ATTENTION: Please keep the adjuster around 5 to 8 mm distant away from the floor.

MODEL: CF 8736 (5')

	1 pc	Headboard
	1 pc	Footboard
	2 pcs	Side Rail
	4 pcs	Legs 85 x 85x 100(H)
	1 pc	Center Rail 2040mm
	2 pcs	Support Leg 215mm
	28 pcs	Slat 762mm
	14 pcs	Middle Holder
	28 pcs	End Holder
	2 pcs	JCBC M6 X 40
	1 pc	K1 M5 x 70mm, M4 x 65mm
	2 pcs	CSK M4 x 25mm
	14 pcs	CSK M4 x 32mm
	8 pcs	Flat Washer
	2 pcs	Stiffener Slat (3 Holes) 1537mm
	2 pcs	Small Adjuster

Step 5: Affix the Stiffener Slat (O) to the side rail support wood and the center rail (E) . Tighten all the 4 corner ,follow by assembly of the slat holders with LVL slats as shown.

