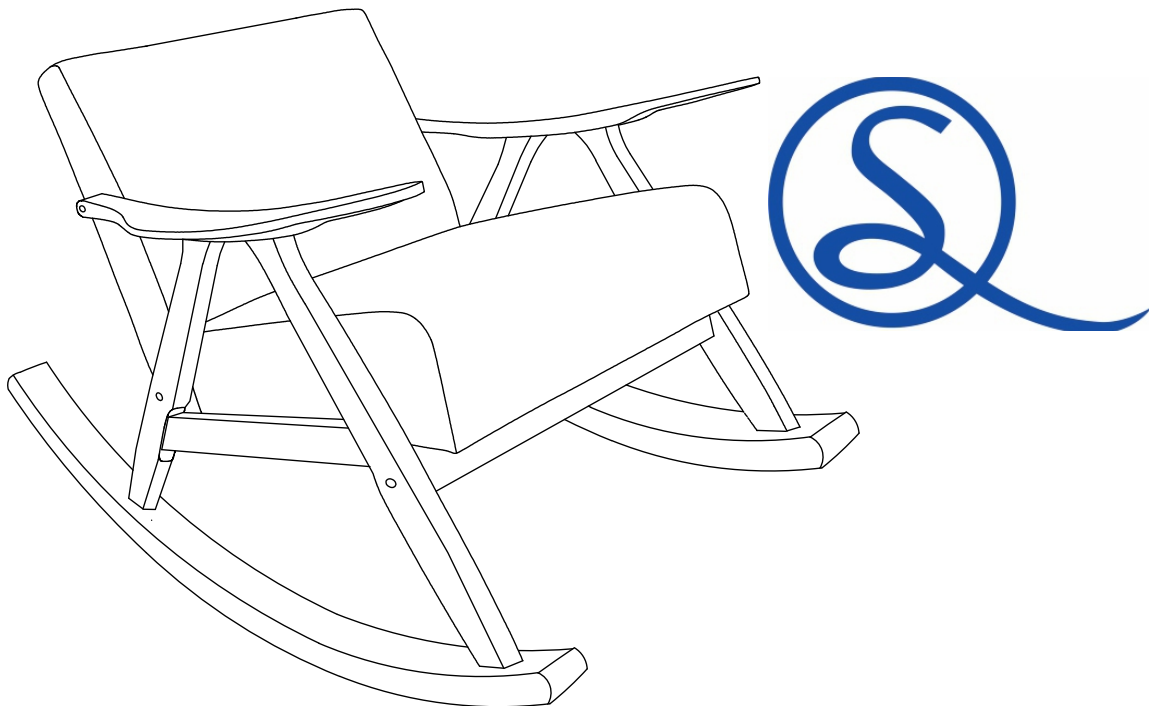


KENDRA ROCKING CHAIR ASSEMBLY INSTRUCTIONS



IMPORTANT FOR DOMESTIC USE ONLY PLEASE READ BEFORE YOU CONTINUE FURTHER

THE PRODUCT YOU HAVE PURCHASED WILL GIVE YOU MANY YEARS OF SERVICE IF YOU FOLLOW THE GUIDELINES FOR ITS SAFE ASSEMBLY AND PERIODIC MAINTENANCE AND CLEANING.

ASSEMBLE ON A SOFT CLEAN SURFACE.

DO NOT USE ANY TOOLS OTHER THAN THOSE SHOWN

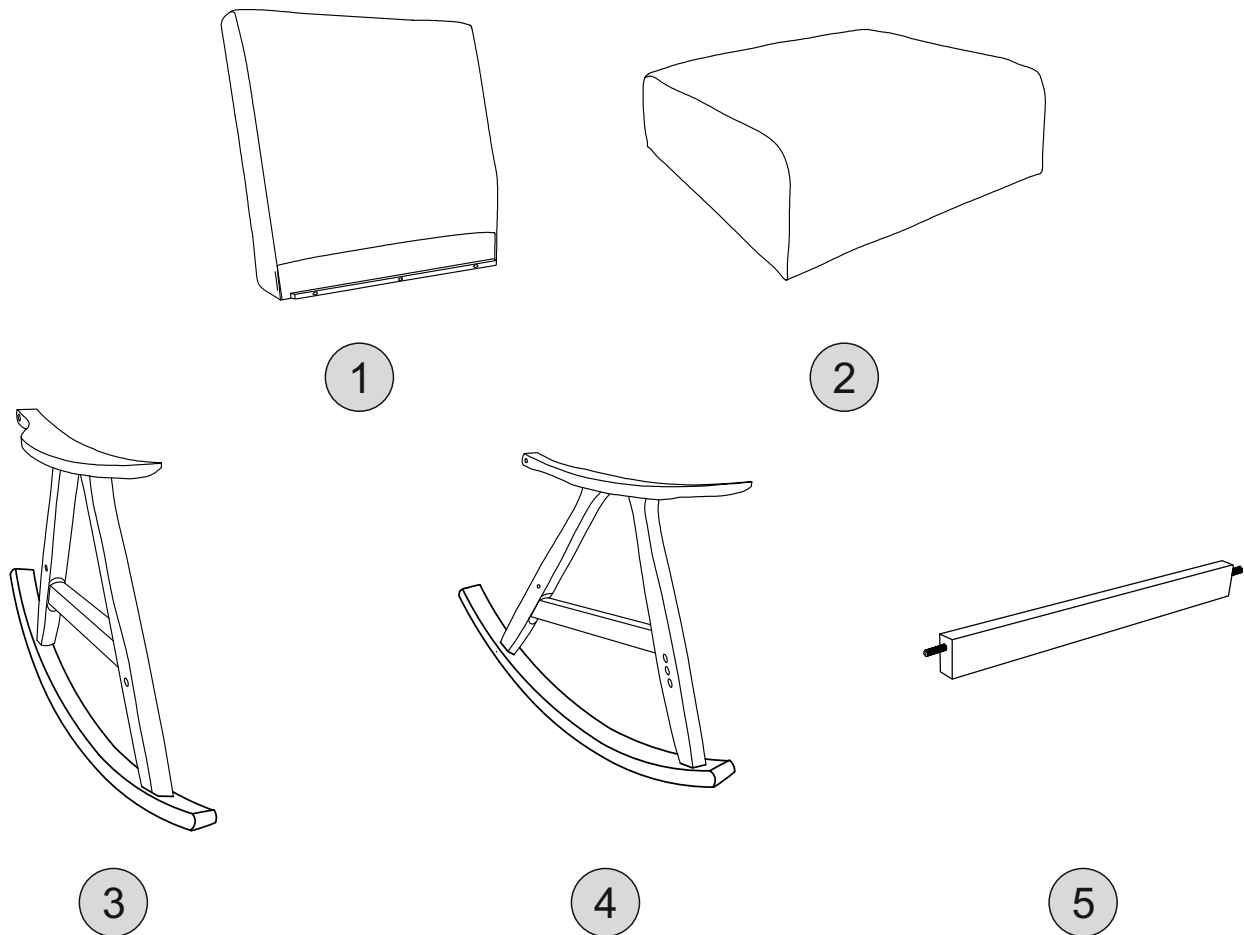
ANY SPANNERS OR ALLEN KEYS REQUIRED ARE INCLUDED WITH THE FITTINGS KIT.

DO NOT FOR ANY REASON USE A POWER TOOL TO ASSEMBLE THIS PRODUCT. ITS USE WILL INVALIDATE ANY CLAIM YOU MAY HAVE AND COULD MAKE THIS PRODUCT UNSAFE.

DEPENDING ON THE AMOUNT OF USE THIS PRODUCT RECEIVES IT MAY BE NECESSARY TO TIGHTEN UP THE FIXINGS FROM TIME TO TIME. THIS IS COMPLETELY NORMAL FOR ANY FLAT PACK FURNITURE.
DO NOT OVERTIGHTEN FIXINGS.

FOR CLEANING YOU MAY USE A DAMP CLOTH (NOT WET).





THIS PRODUCT MAY STAIN OR MARK IF ALLOWED TO COME INTO CONTACT WITH WET OR DAMP OBJECTS AS MATERIALS USED HAVE NOT BEEN TREATED WITH SCOTCH GUARD.



PARTS LIST

Part Number	Part Code	Part Description	Quantity	Carton
1	S300-309-031-DY1-01	Backrest	1	1/1
2	S300-308-031-DY1-02	Cushion Seat	1	1/1
3	S300-308-031-DY1-03	Left Leg Frame	1	1/1
4	S300-308-031-DY1-02	Right Leg Frame	1	1/1
5	S300-308-031-DY1-03	Front Crossbar	1	1/1

HARDWARE LIST

No.	Part Name		Qty
A	Bolt M6x45mm		07
B	Allen Key M4x100mm		01
C	Flat Washer M6x19mm		01
D	Wooden Cap		06

STEP 1

PARTS REQUIRED

3 - LEFT LEG FRAME x1

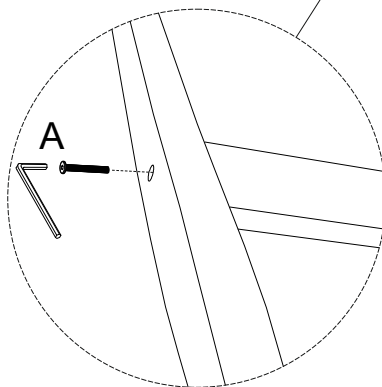
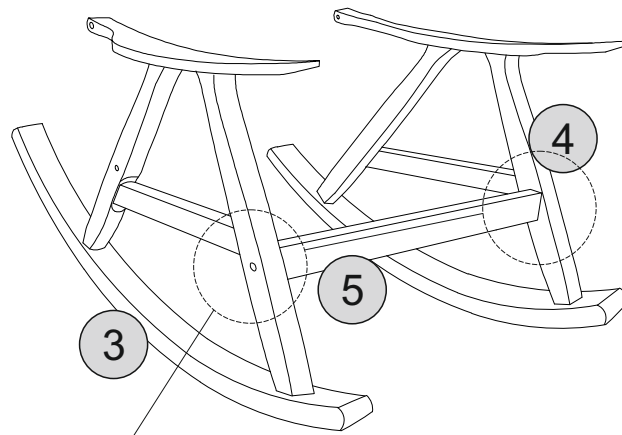
4 - RIGHT LEG FRAME x1

5 - FRONT CROSSBAR x1

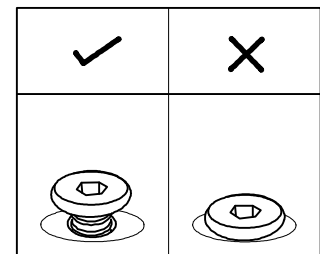
HARDWARE REQUIRED

A  02

TOOLS REQUIRED



80%

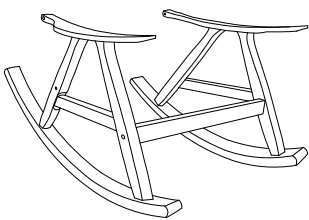


DO NOT FULLY TIGHTEN AT THIS POINT

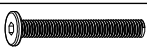
STEP 2

PARTS REQUIRED

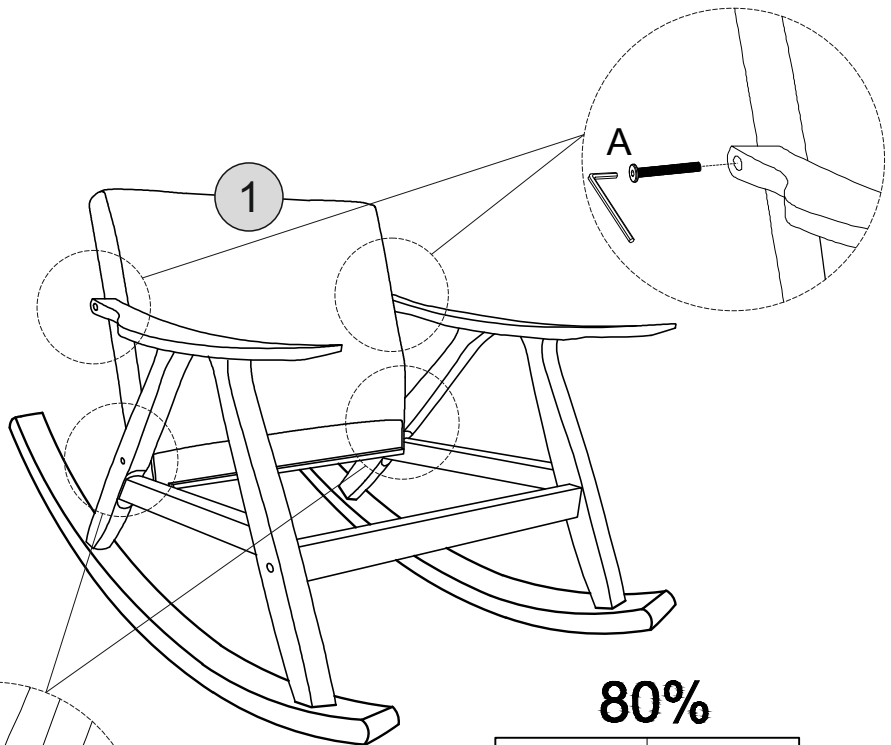
1 - BACKREST x1



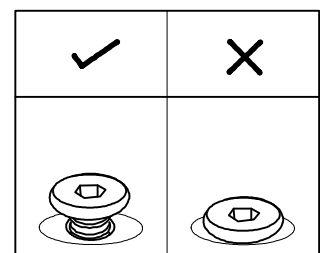
HARDWARE REQUIRED

A  04

TOOLS REQUIRED



80%

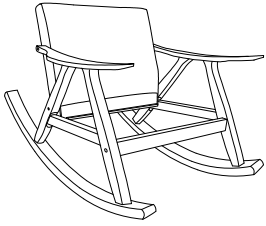


DO NOT FULLY TIGHTEN AT THIS POINT

STEP 3

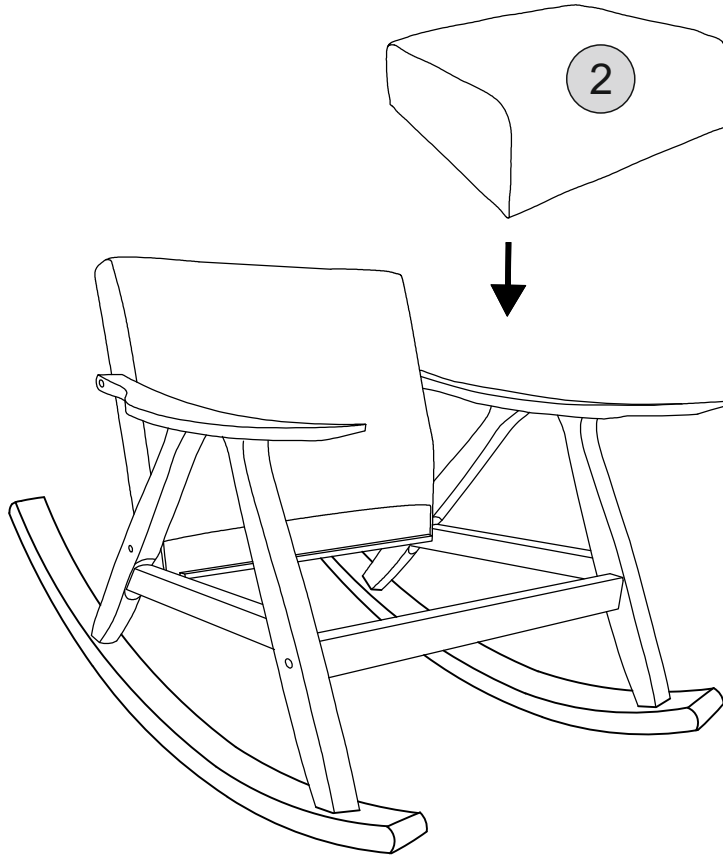
PARTS REQUIRED

2 - CUSHION SEAT x1



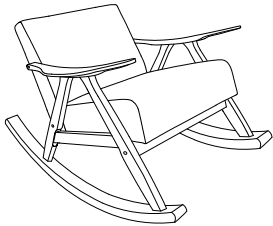
HARDWARE REQUIRED

TOOLS REQUIRED




STEP 4

PARTS REQUIRED

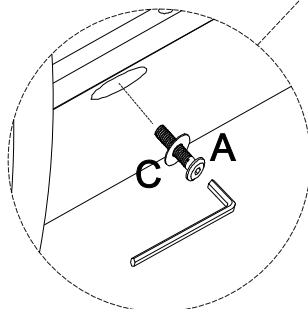
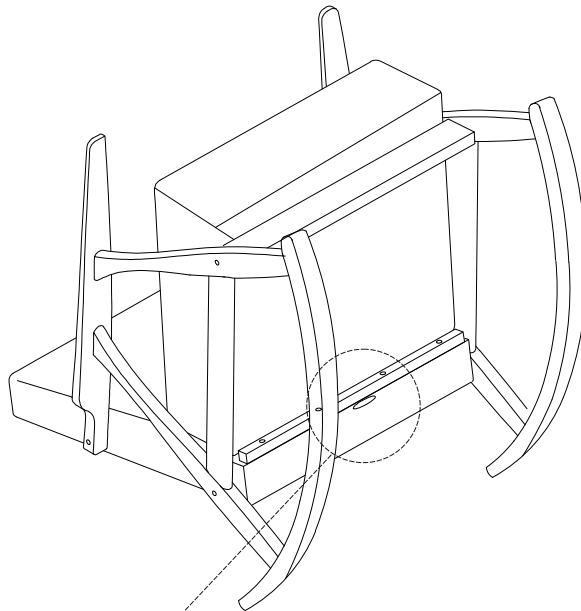


HARDWARE REQUIRED

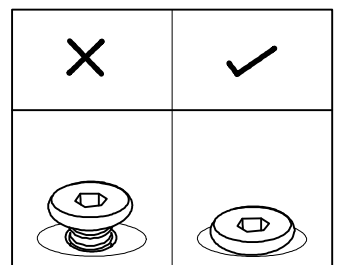
A  01

C  01

TOOLS REQUIRED



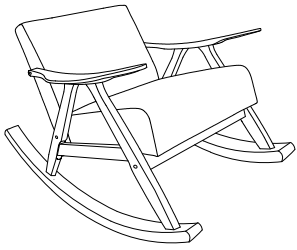
100%



FULLY TIGHTEN BOLT

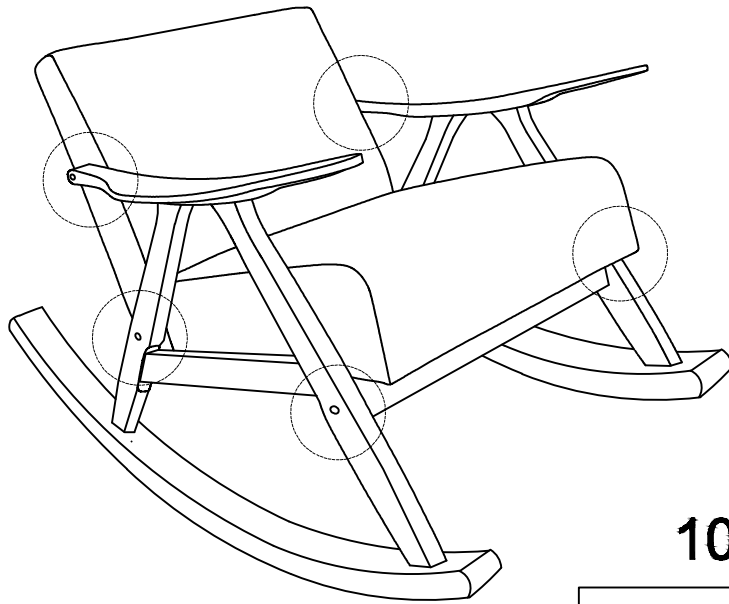
STEP 5

PARTS REQUIRED

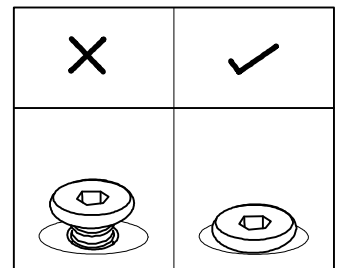


HARDWARE REQUIRED

TOOLS REQUIRED



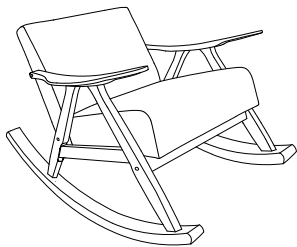
100%



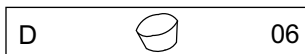
FULLY TIGHTEN ALL BOLTS

STEP 6

PARTS REQUIRED



HARDWARE REQUIRED



TOOLS REQUIRED

