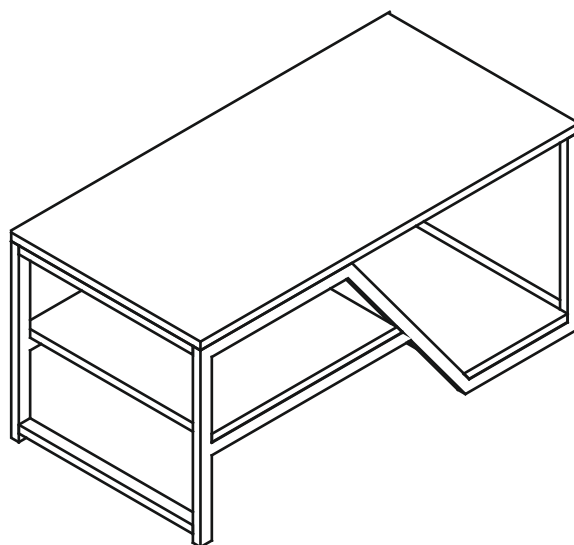


DURHAM COFFEE TABLE ASSEMBLY INSTRUCTIONS



**MAX TABLE
WEIGHT**



**FOR DOMESTIC USE ONLY
IMPORTANT**

PLEASE READ BEFORE YOU CONTINUE FURTHER

THE PRODUCT YOU HAVE PURCHASED WILL GIVE YOU MANY YEARS OF SERVICE IF YOU FOLLOW THE GUIDELINES FOR ITS SAFE ASSEMBLY AND PERIODIC MAINTENANCE AND CLEANING .

ASSEMBLE ON A SOFT CLEAN SURFACE

DO NOT USE ANY TOOLS OTHER THAN THOSE SHOWN.

ANY SPANNERS OR ALLEN KEYS REQUIRED ARE INCLUDED WITH THE FITTINGS KIT.

DO NOT FOR ANY REASON USE A POWER TOOL TO ASSEMBLE THIS PRODUCT. ITS USE WILL INVALIDATE ANY CLAIM YOU MAY HAVE AND COULD MAKE THIS PRODUCT UNSAFE.

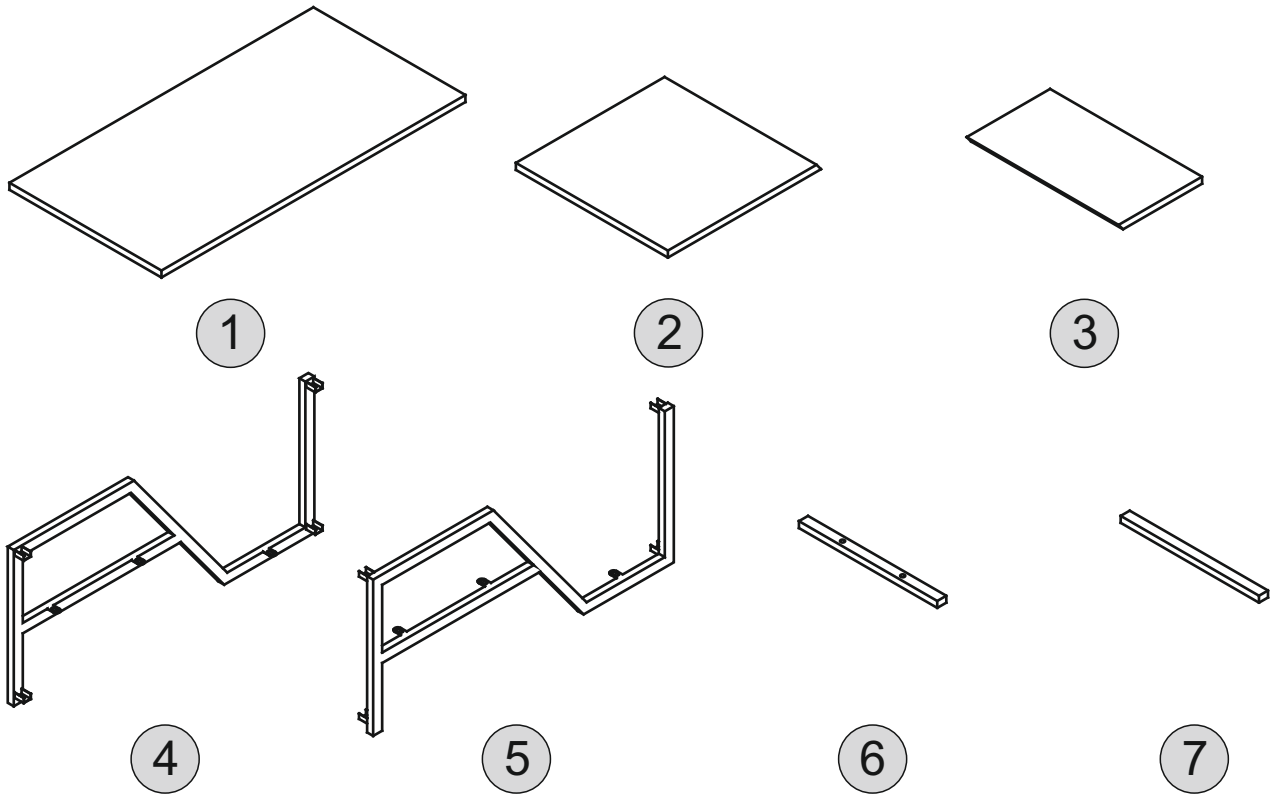
DEPENDING ON THE AMOUNT OF USE THIS PRODUCT RECEIVES IT MAY BE NECESSARY TO TIGHTEN UP THE FIXINGS FROM TIME TO TIME . THIS IS COMPLETELY NORMAL FOR ANY FLAT PACK FURNITURE.

DO NOT OVERTIGHTEN FIXINGS.

FOR CLEANING, YOU MAY USE A DAMP CLOTH (NOT WET) DO NOT USE POLISH, DETERGENT OR CHEMICAL CLEANERS.

THIS PRODUCT MAY STAIN OR MARK IF ALLOWED TO COME INTO CONTACT WITH WET OR DAMP OBJECTS.




THE SURFACE OF THIS ITEM IS NOT HEAT RESISTANT. ALWAYS USE A PLACE MAT UNDER HOT OR COLD ITEMS TO PREVENT MARKING.



PARTS LIST

Part Number	Part Code	Part Description	Quantity	Carton
1	S300-301-073-SF1-01	Coffee Table Top	1	1/1
2	S300-301-073-SF1-02	Bottom Shelf Large	1	1/1
3	S300-301-073-SF1-03	Bottom Shelf Small	1	1/1
4	S300-301-073-SF1-04	Table Leg Left	1	1/1
5	S300-301-073-SF1-05	Table Leg Right	1	1/1
6	S300-301-073-SF1-06	Metal Frame Top	2	1/1
7	S300-301-073-SF1-07	Metal Frame Bottom	2	1/1

HARDWARE LIST

REF		HARDWARE NAME	QTY
A		Bolts M6x13mm	14PCS
B		Bolts M6x25mm	4PCS
C		Washer	6PCS
D		Allen Key	1PC

PLEASE CHECK THAT YOU HAVE ALL THE PARTS LISTED BEFORE YOU START ASSEMBLING. IF YOU DO FIND THAT SOMETHING IS MISSING, DO NOT CONTINUE ASSEMBLY. PLEASE CONTACT YOUR SUPPLIER IMMEDIATELY.

STEP 1

PARTS REQUIRED

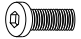
4 - TABLE LEG LEFT x1

5 - TABLE LEG RIGHT x1

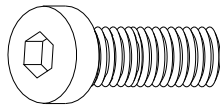
6 - METAL FRAME TOP x2

7 - METAL FRAME BOTTOM x2

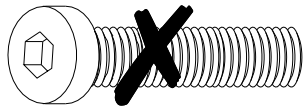
HARDWARE REQUIRED

A  08

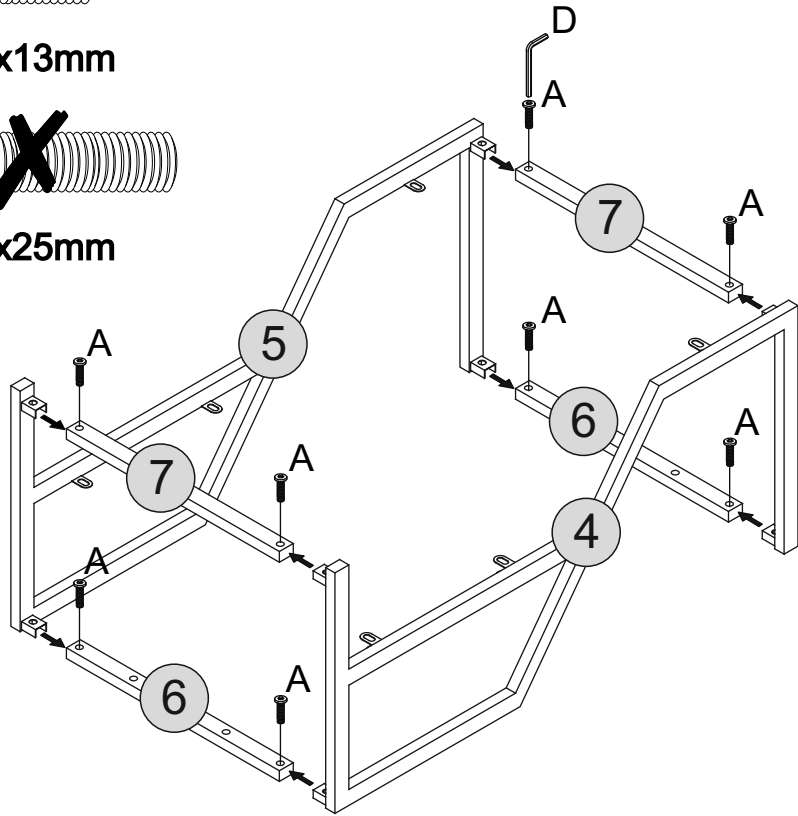
TOOLS REQUIRED



M6x13mm



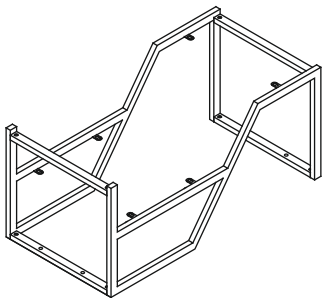
M6x25mm




STEP 2

PARTS REQUIRED

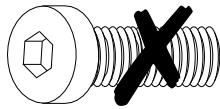
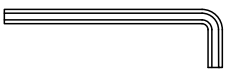
1 - COFFEE TABLE TOP x1



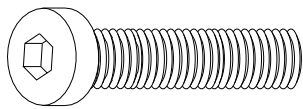
HARDWARE REQUIRED

B  04

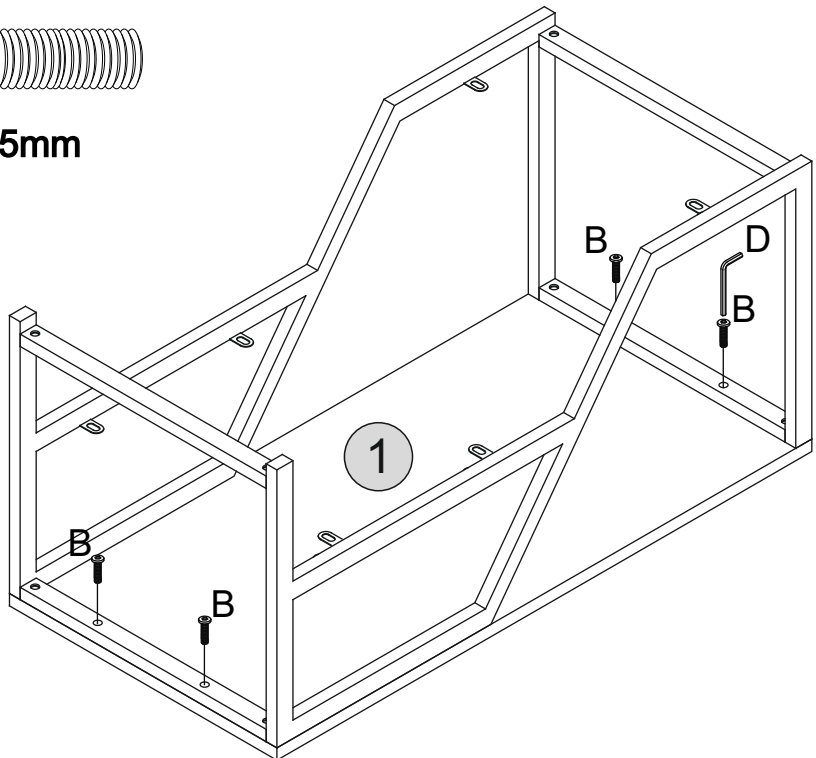
TOOLS REQUIRED



M6x13mm



M6x25mm

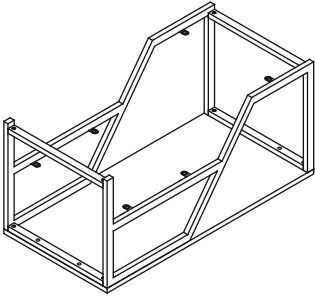


STEP 3


PARTS REQUIRED

2 - BOTTOM SHELF LARGE x1

3 - BOTTOM SHELF SMALL x1

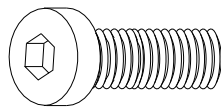


HARDWARE REQUIRED

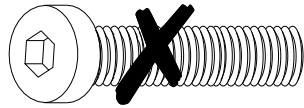
A  06

C  06

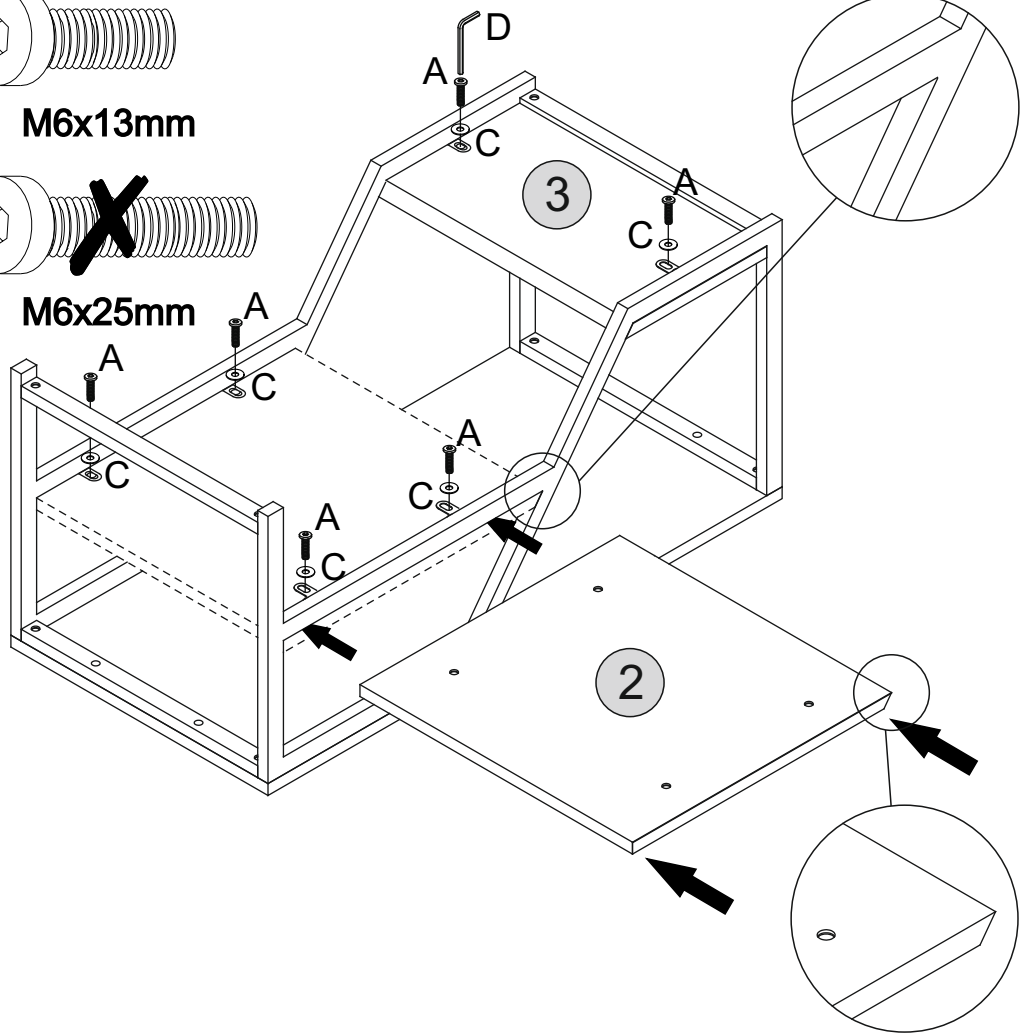
TOOLS REQUIRED



M6x13mm



M6x25mm



STEP 4

PARTS REQUIRED

HARDWARE REQUIRED

TOOLS REQUIRED



MAX TABLE WEIGHT

