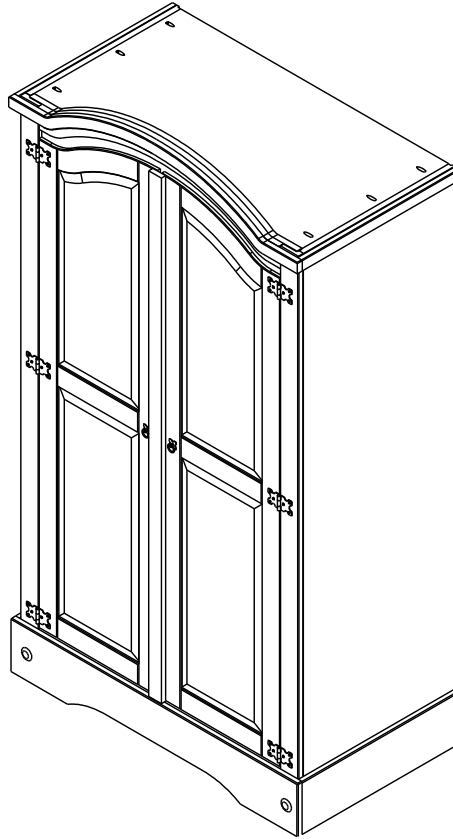


Corona 2 Door Wardrobe

ASSEMBLY INSTRUCTIONS



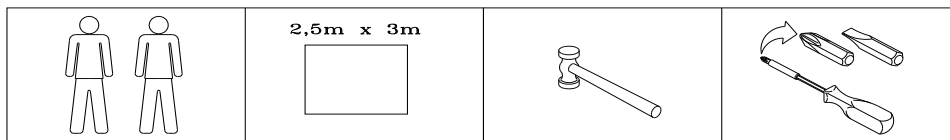
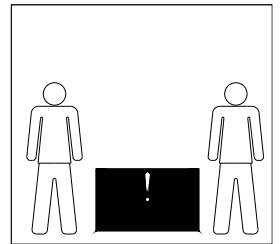
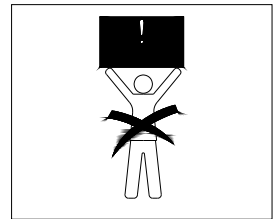
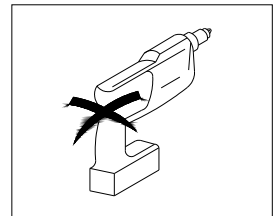
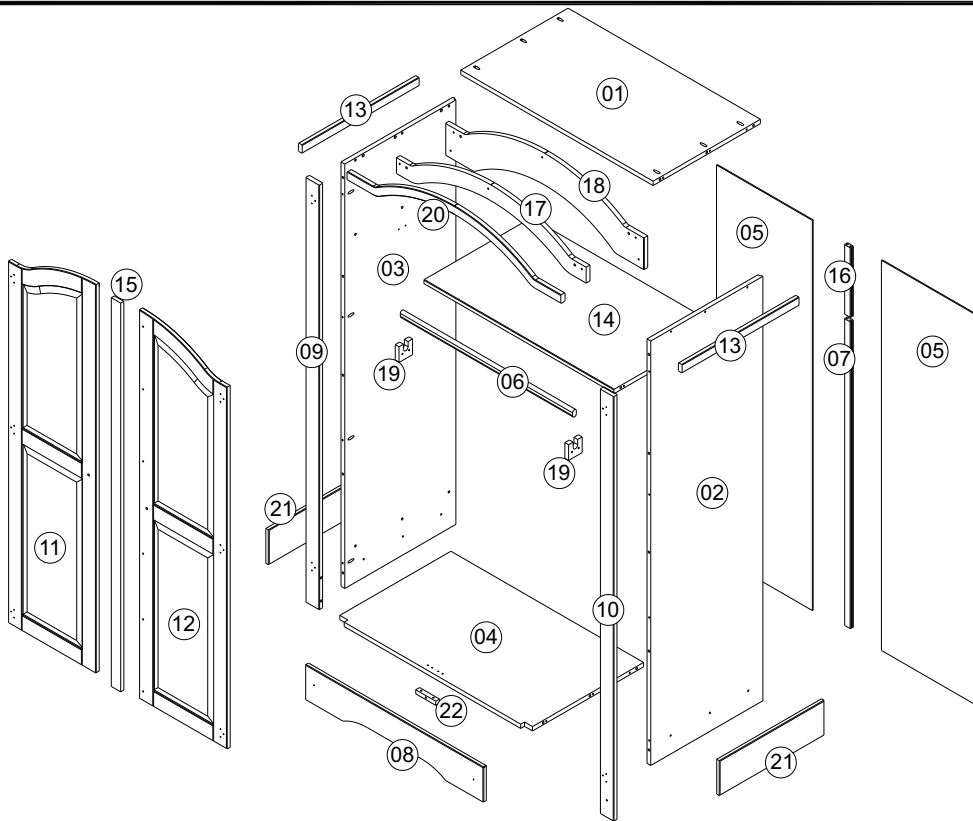
IMPORTANT

PLEASE READ BEFORE YOU CONTINUE FURTHER

FOR DOMESTIC USE ONLY CARE AND MAINTENANCE

After unpacking this product please keep the original packaging in case it needs to be returned for any reason.

- Please ensure all fittings and parts are present before commencing with assembly.
- We recommend that you lay a blanket or sheet on the floor to avoid damage to both your floor and the product.
- We strongly recommend that you keep children away from your work area.
- Assemble this product as close to its final position as possible.
- Never drag or push products as this could cause damage to the joints making it inferior.
- Do not place this product next to a radiator or in direct sunlight.
- Wood is a natural product and may expand if subjected to damp and may shrink or crack if subjected to heat. Therefore it is recommended that room temperature is maintained, with no sudden temperature fluctuations.
- Make sure any spillage is wiped off immediately.
- Do not place hot or chilled items directly on to the surface, use a place mat or marking will occur.
- For general cleaning use a duster, and do not use detergents of any kind. However, the surface will need to be retreated from time to time. This can be done by using block wax (unperfumed) and rubbing it over the whole item.
- From time to time it may be necessary to tighten fittings, regular inspections should be carried out.



!
 * Use of power tools to assemble this product will invalidate any claim and damage this product making it unsafe !!!
 * Please assemble on a clean soft surface to avoid damage.

!
 * Please check contents and read the instructions before commencing assembly.
 * Assemble this product following the enclosed instructions carefully.
 * Please take care to avoid damaging panels during assembly.

PARTS LIST

1	Top Panel (Small)	01
2	Right Side Panel	01
3	Left Side Panel	01
4	Base	01
5	Back Panel	02
6	Hanging rail	01
7	Bottom back panel strip	01
8	Front Plinth	01

9	Left front upright	01
10	Right front upright	01
11	Left Door	01
12	Right Door	01
13	Top Side Plinth	02
14	Fixed Shelf	01
15	Door Strip	01
16	Upper back panel strip	01

17	Top Middle Plinth	01
18	Top back Plinth	01
19	Hanger support	02
20	Top Front Plinth	01
21	Side Plinth	02
22	Support block	01

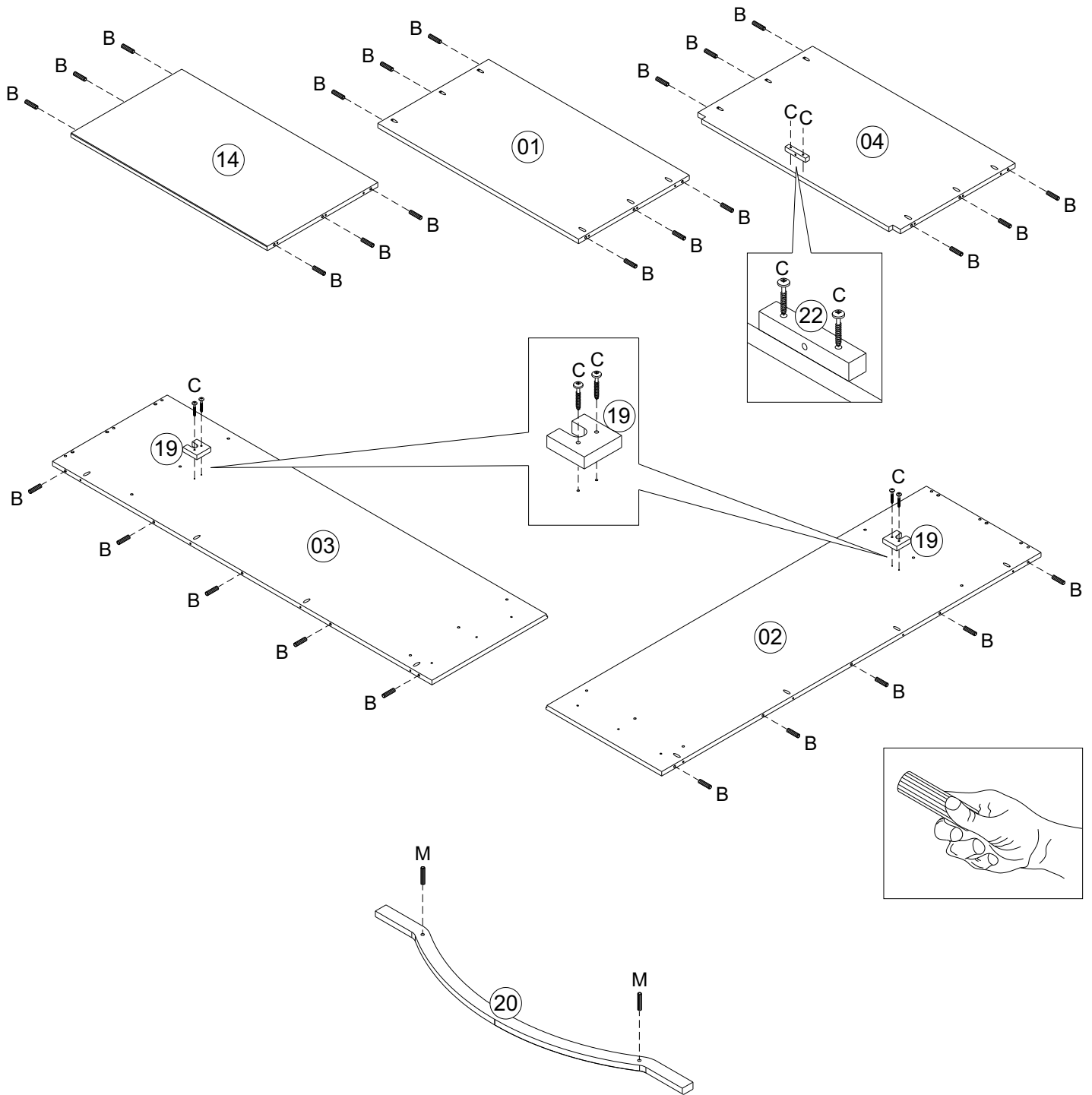
FITTINGS

A		29
B		28
C		14
D		32
E		52
F		04

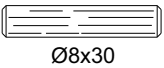
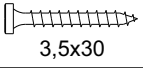
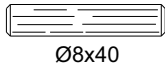
G		04
H		06
I		02
J		06

K		06
L		03
M		02
N		02
O		01

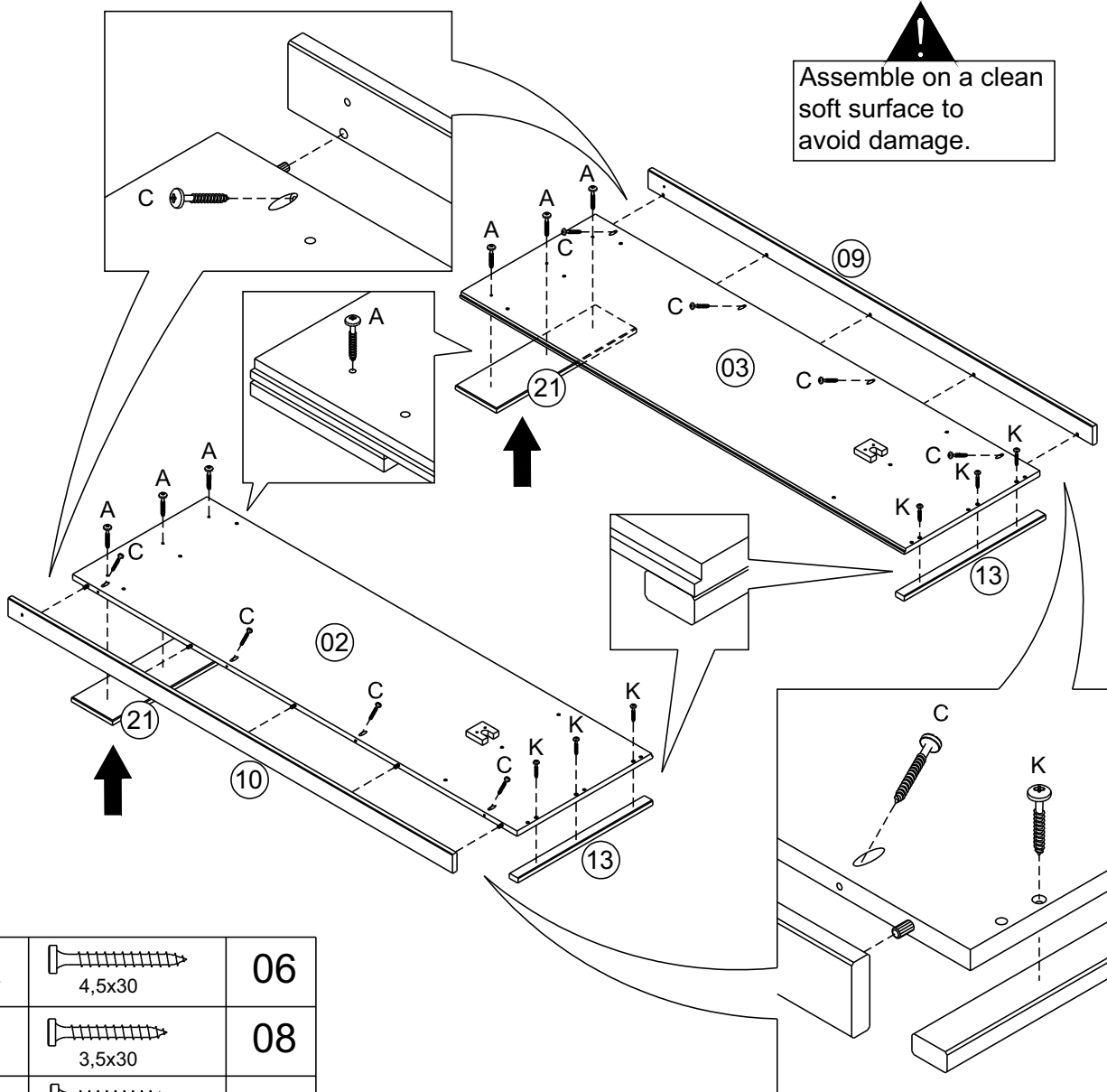
01

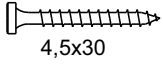
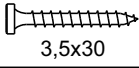
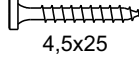


!
Assemble on a clean soft surface to avoid damage.

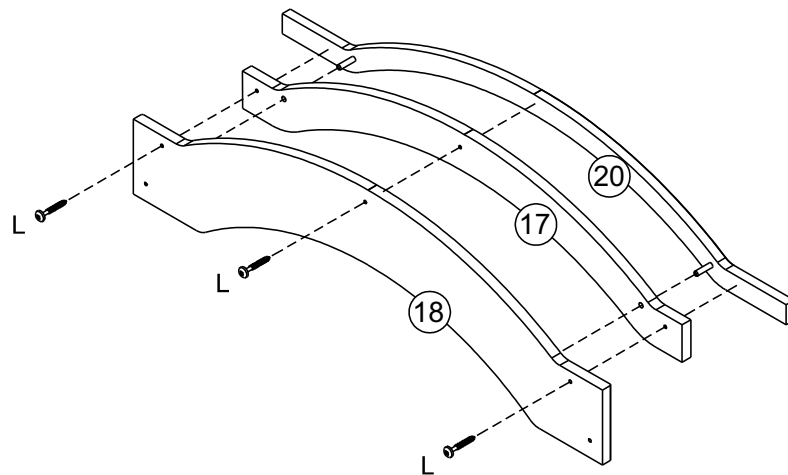
B		28
C		06
M		02

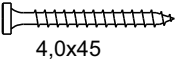
02



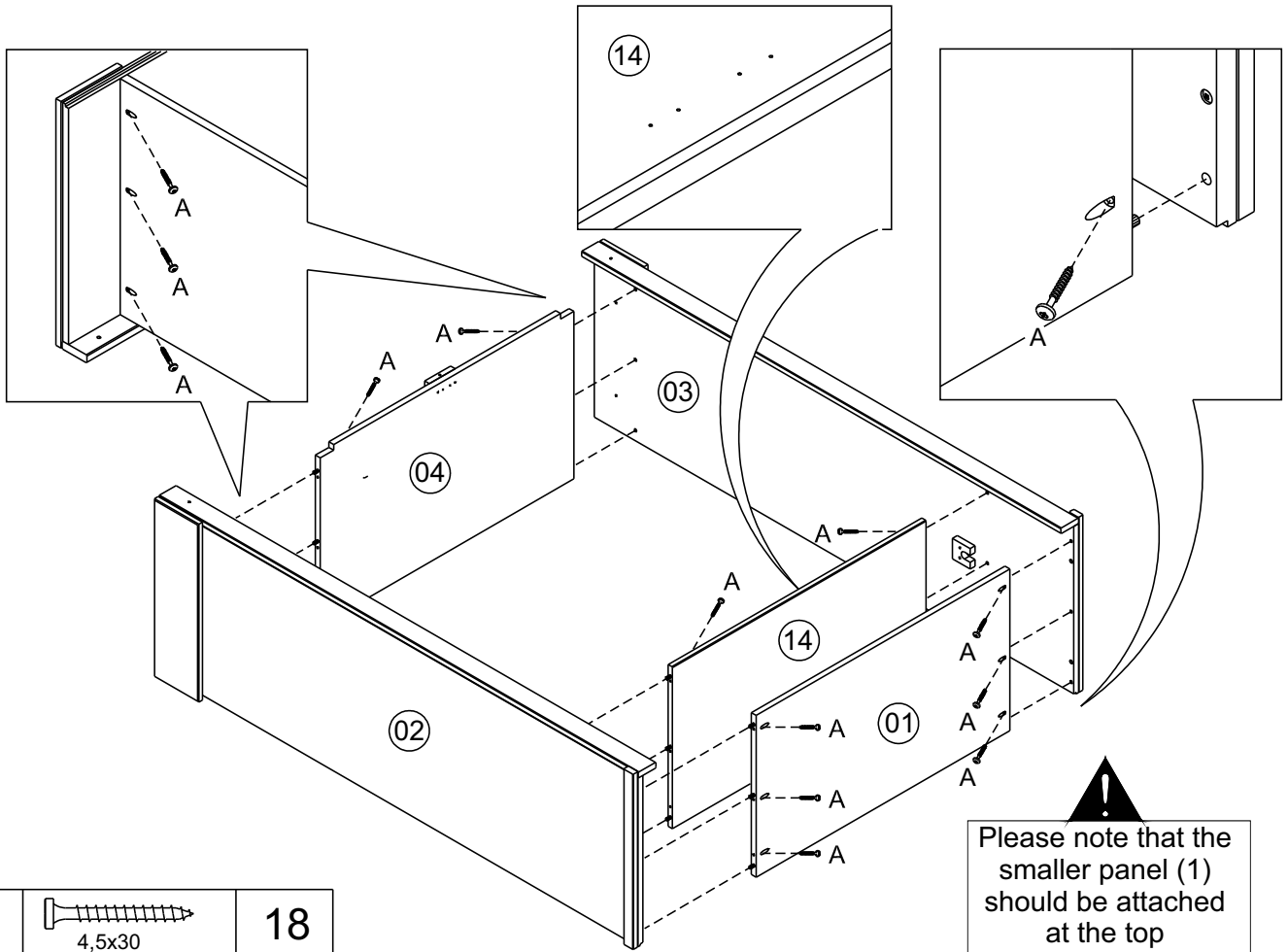
A		06
C		08
K		06

03

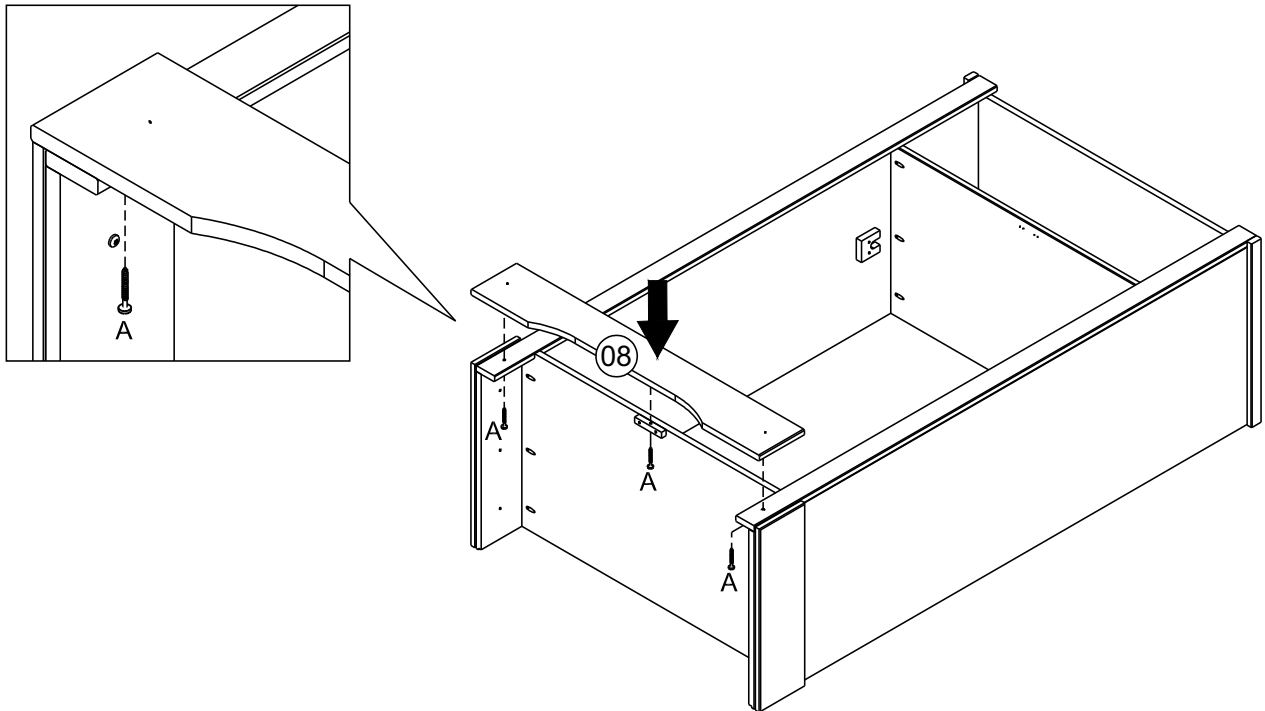


L		03
---	---	----

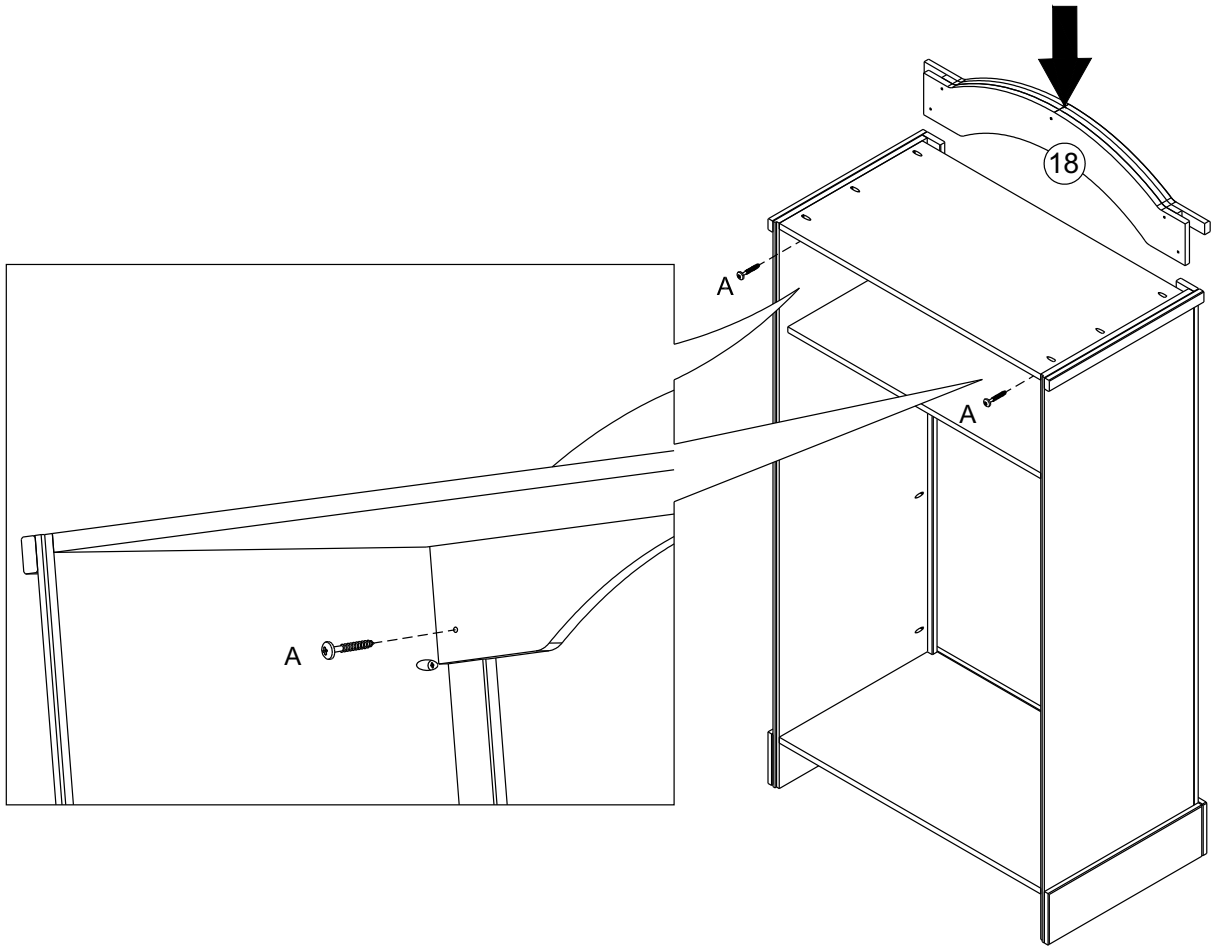
04

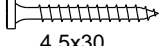


05

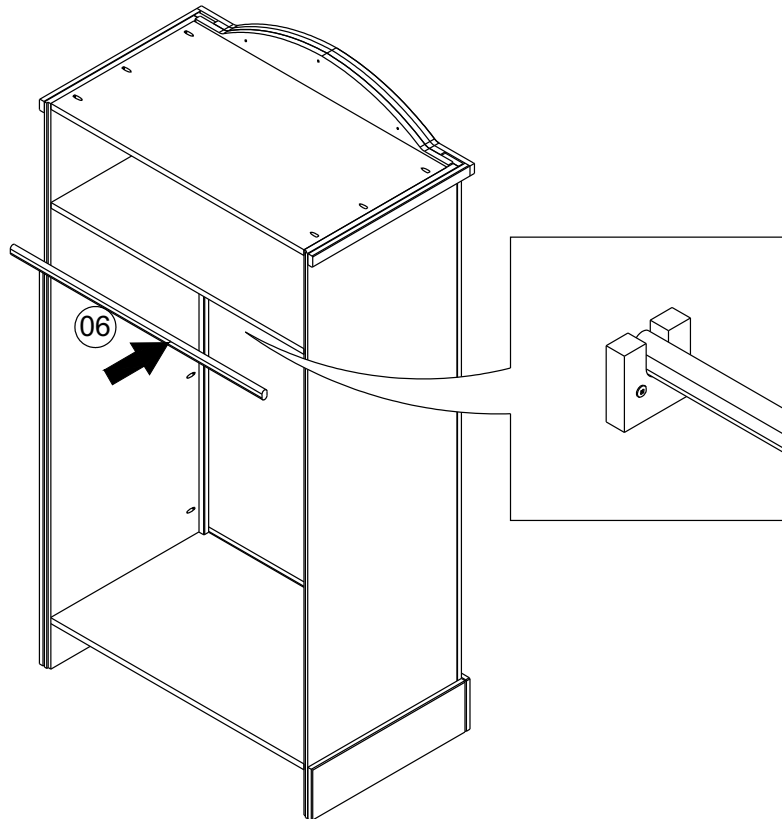


06



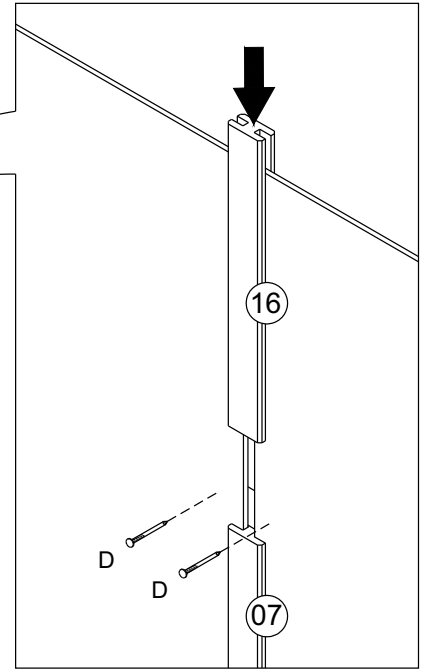
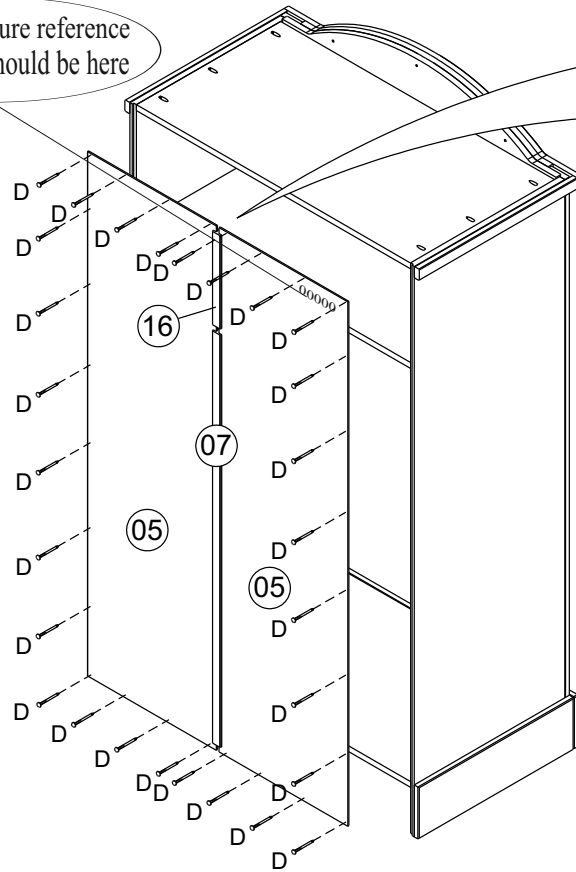
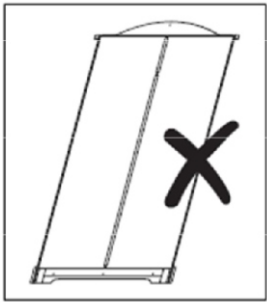
A	 4.5x30	02
---	---	----

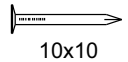
07



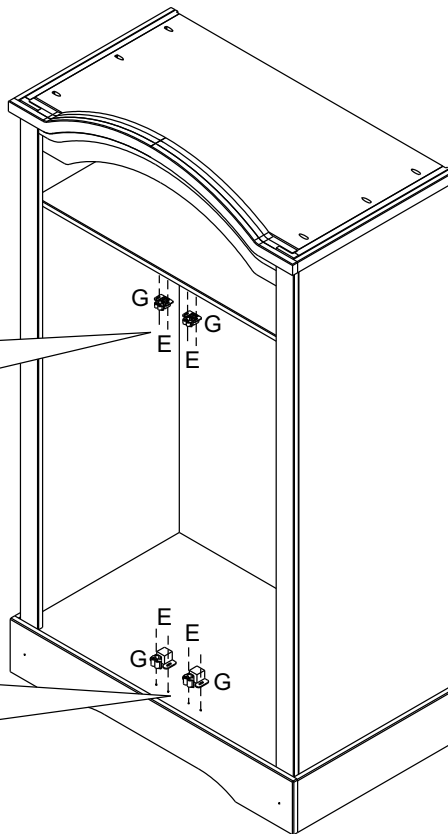
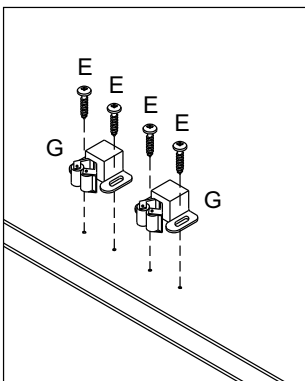
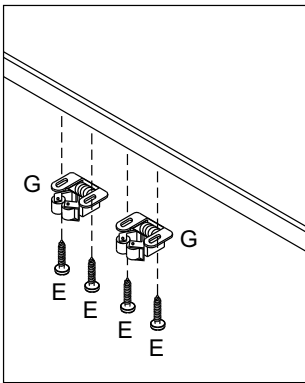
08

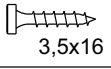
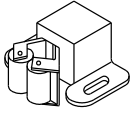
* For your future reference
SPD Number should be here



D	 10x10	32
---	---	----

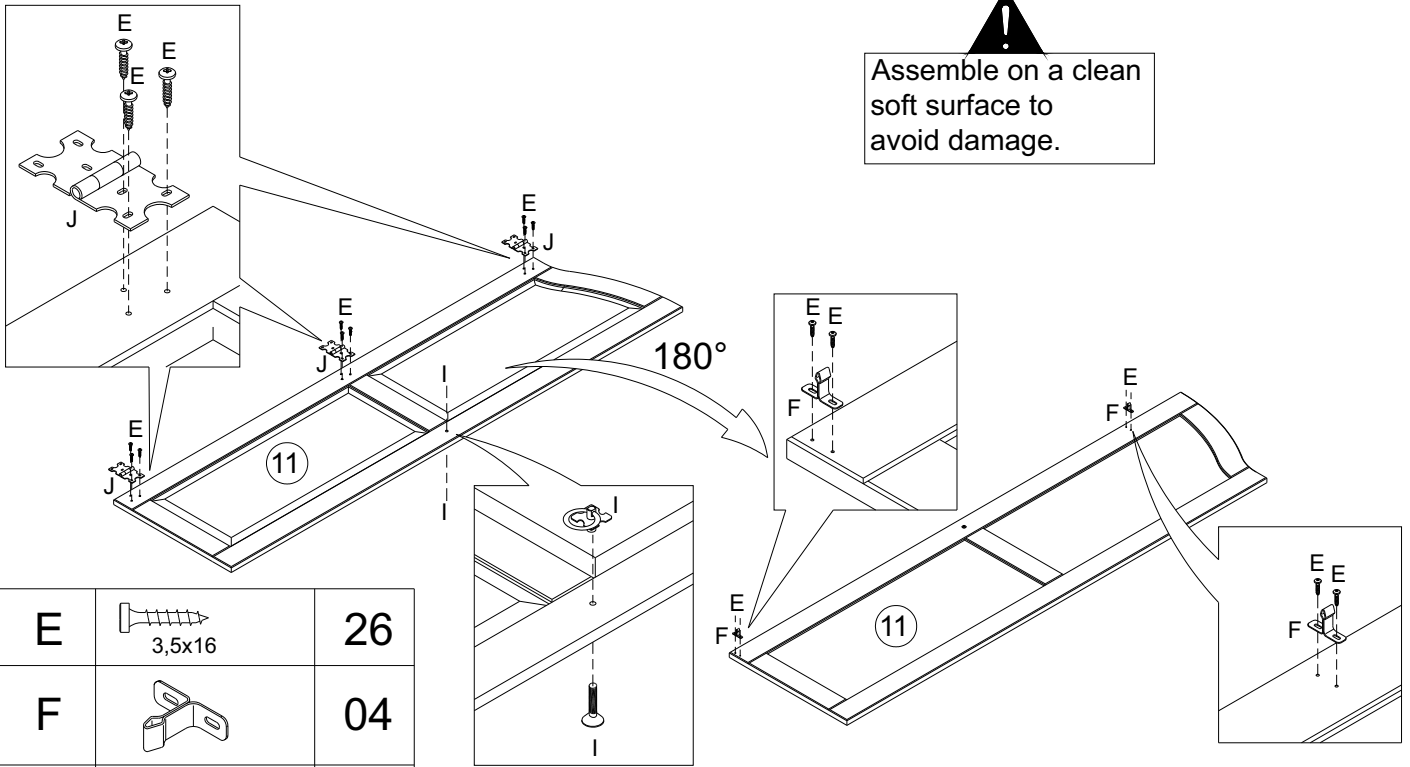
09

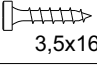
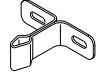
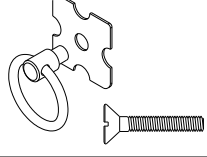
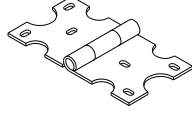
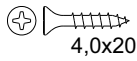


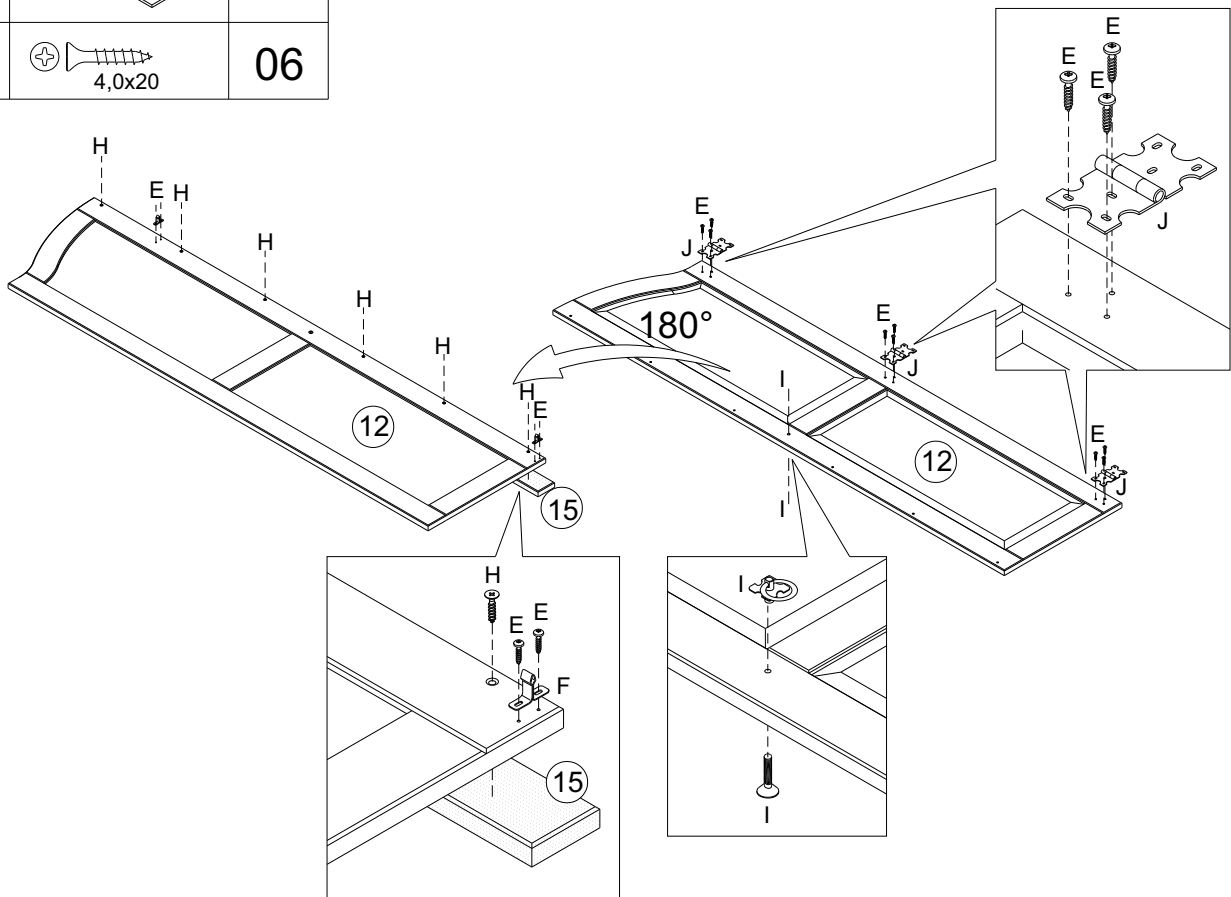
E	 3,5x16	08
G		04

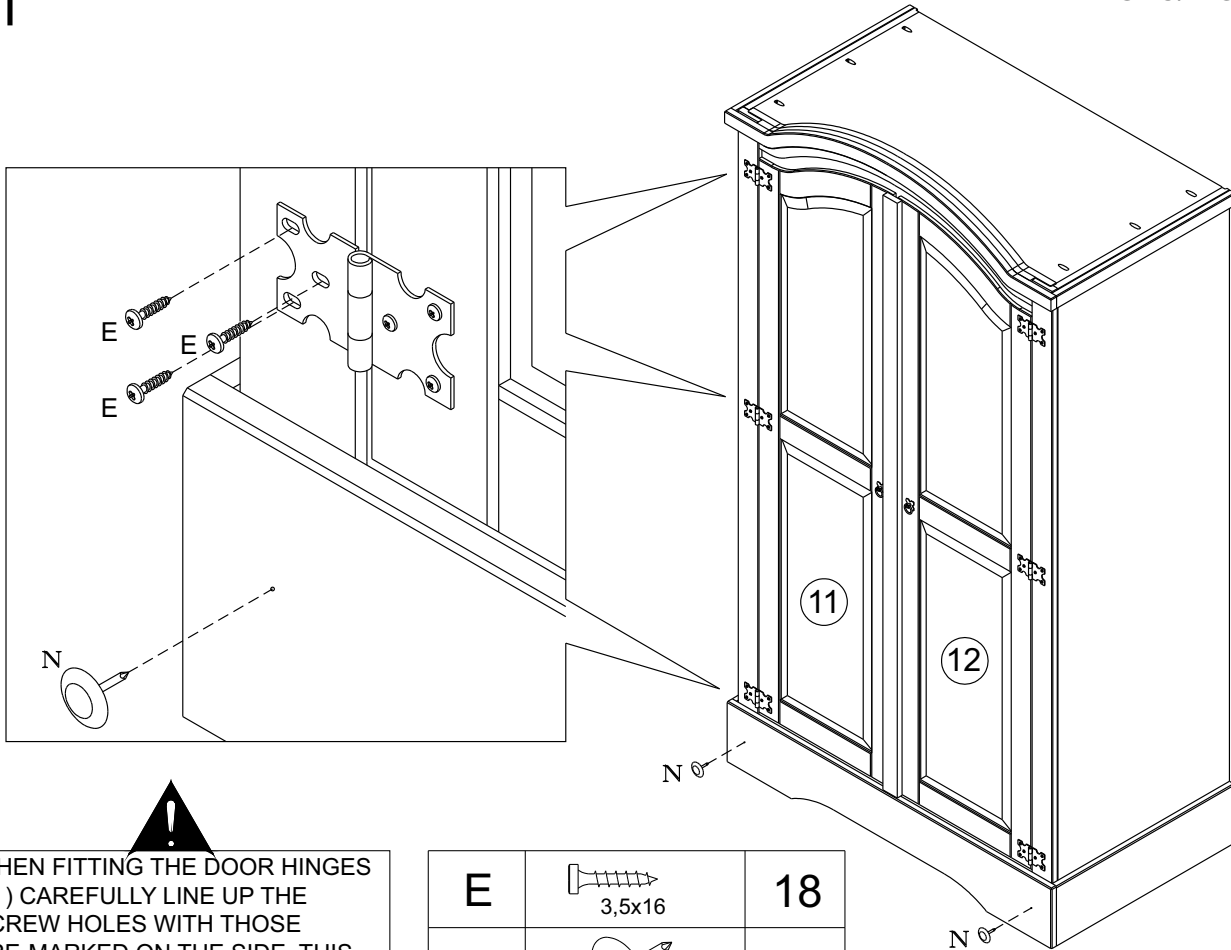
10

!
Assemble on a clean soft surface to avoid damage.

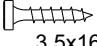



E	 3,5x16	26
F		04
I		02
J		06
H	 4,0x20	06





!
 WHEN FITTING THE DOOR HINGES (J) CAREFULLY LINE UP THE SCREW HOLES WITH THOSE PRE-MARKED ON THE SIDE, THIS WILL ENSURE THE DOORS HANG CORRECTLY.

E	 3,5x16	18
N		02

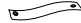
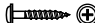

WARNING

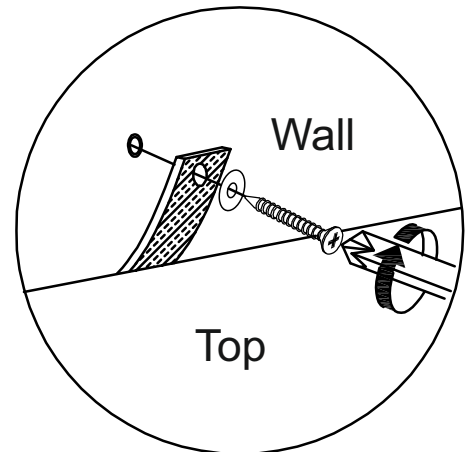
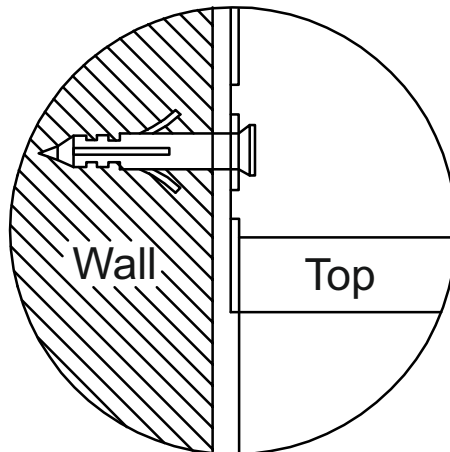
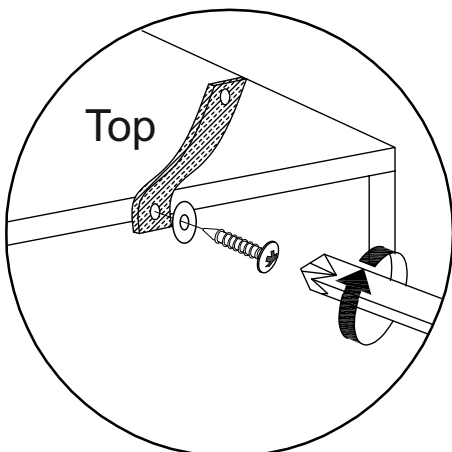
Serious or fatal injuries can occur from furniture tipping over. To prevent the furniture from tipping over we recommend that it is permanently fixed to the wall.

Wall fixings are not supplied with this product as different wall materials require different types of fixing devices.

Please make sure you use fixings suitable for the walls in your home.

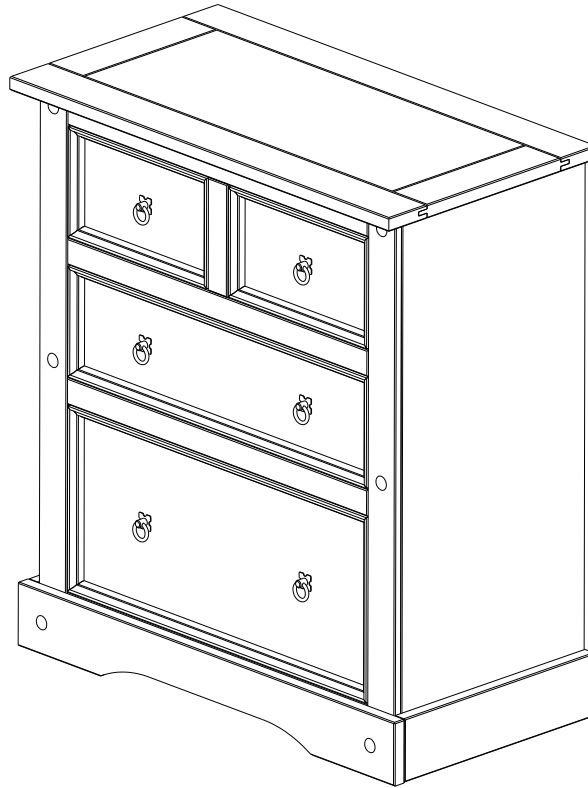
HARDWARE LIST

- 
Strap (Anti-Tip Kit)
(1x)
- 
Wood Screw (Anti-Tip Kit)
3,5 x 25mm (1x)
- 
Washer (Anti-Tip Kit)
(2x)



Corona 2+2 Drawer Chest

ASSEMBLY INSTRUCTIONS



IMPORTANT

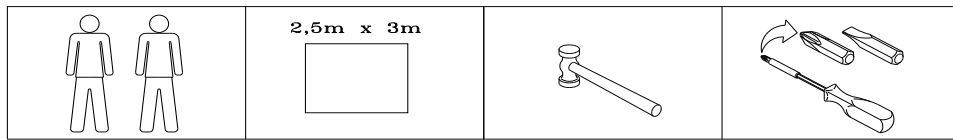
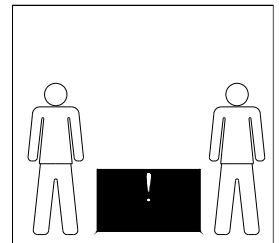
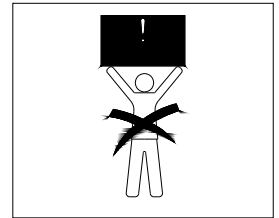
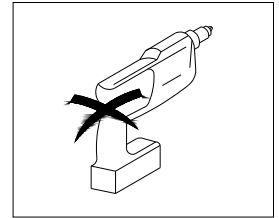
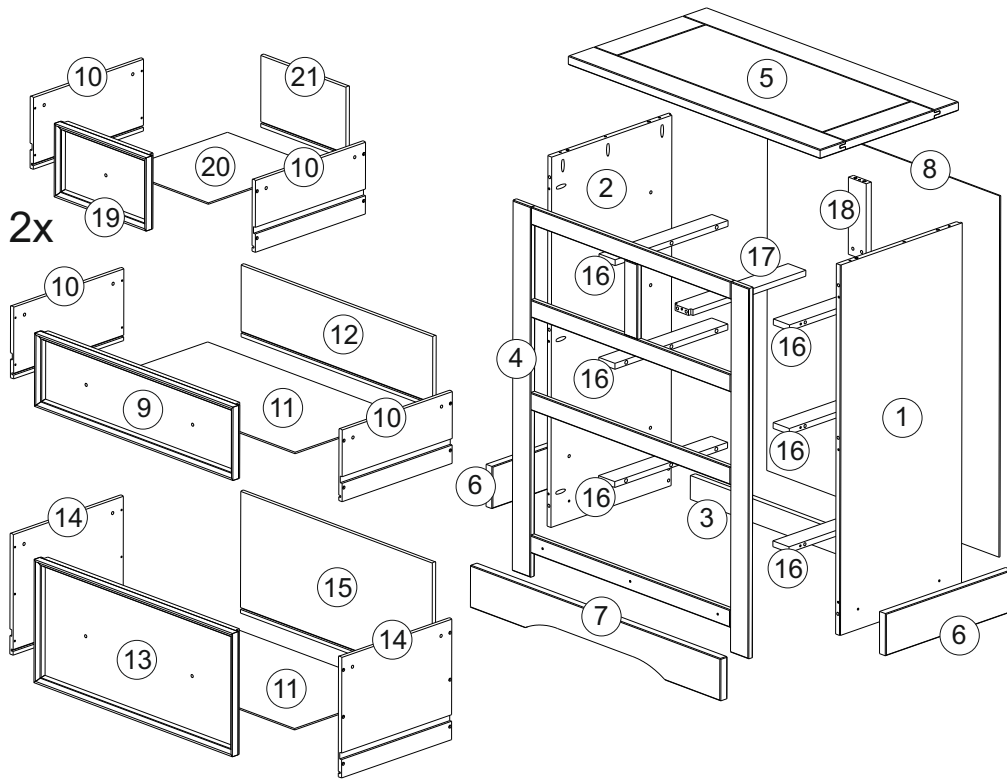
PLEASE READ BEFORE YOU CONTINUE FURTHER

FOR DOMESTIC USE ONLY

CARE AND MAINTENANCE

After unpacking this product please keep the original packaging in case it needs to be returned for any reason.

- Please ensure all fittings and parts are present before commencing with assembly.
- We recommend that you lay a blanket or sheet on the floor to avoid damage to both your floor and the product.
- We strongly recommend that you keep children away from your work area.
- Assemble this product as close to its final position as possible.
- Never drag or push products as this could cause damage to the joints making it inferior.
- Do not place this product next to a radiator or in direct sunlight.
- Wood is a natural product and may expand if subjected to damp and may shrink or crack if subjected to heat. Therefore it is recommended that room temperature is maintained, with no sudden temperature fluctuations.
- Make sure any spillage is wiped off immediately.
- Do not place hot or chilled items directly on to the surface, use a place mat or marking will occur.
- For general cleaning use a duster, and do not use detergents of any kind. However, the surface will need to be retreated from time to time. This can be done by using block wax (unperfumed) and rubbing it over the whole item.
- From time to time it may be necessary to tighten fittings, regular inspections should be carried out.



* Use of power tools to assemble this product will invalidate any claim and damage this product making it unsafe !!!
 * Please assemble on a clean soft surface to avoid damage.

* Please check contents and read the instructions before commencing assembly.
 * Assemble this product following the enclosed instructions carefully.
 * Please take care to avoid damaging panels during assembly.

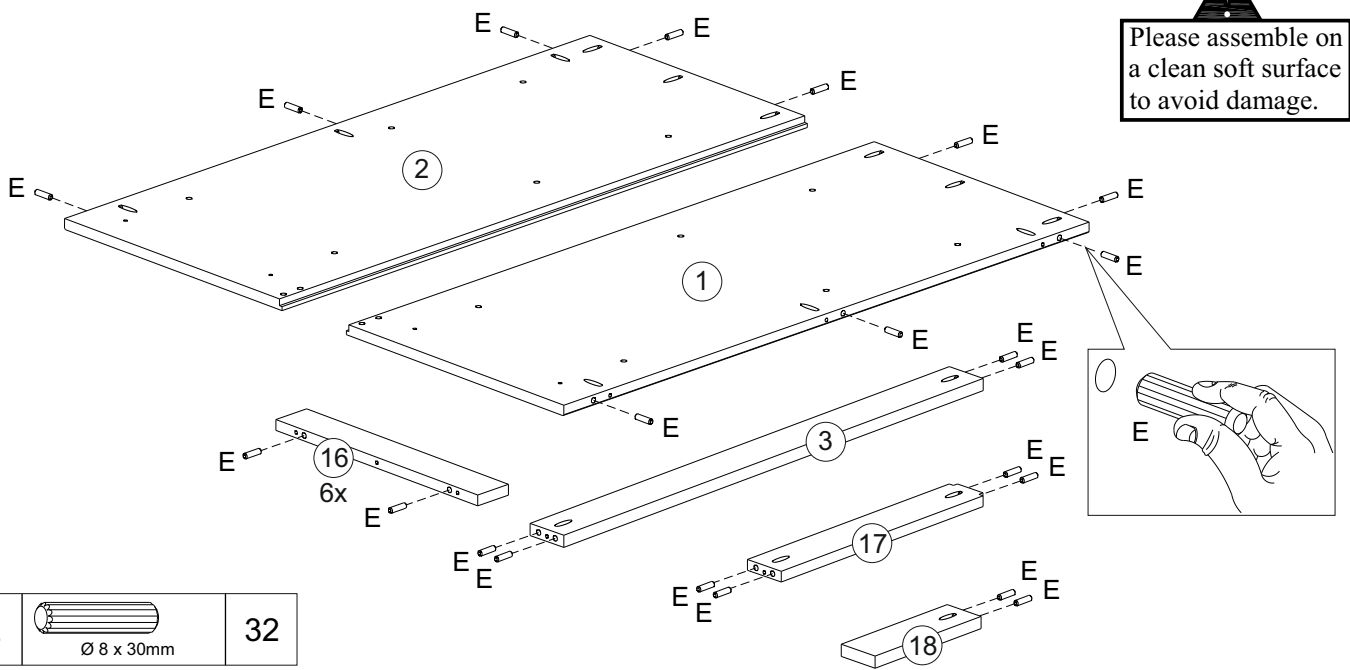
PARTS LIST

1	Right Side Panel	01	8	Back Panel	01	15	Large Drawer Back	01
2	Left Side Panel	01	9	Medium Drawer Front	01	16	Drawer Runner	06
3	Bottom Back Crossbeam	01	10	Drawer Side	06	17	Centre Drawer Runner	01
4	Front Frame	01	11	Drawer Bottom	02	18	Back Upright	01
5	Top	01	12	Medium Drawer Back	01	19	Small Drawer Front	02
6	Side Plinth	02	13	Large Drawer Front	01	20	Small Drawer Bottom	02
7	Front Plinth	01	14	Large Drawer Side	02	21	Small Drawer Back	02


FITTINGS

A		24	E		40	H		18
B		36	F		06	I		05
C		06	G		06	J		01
D		21						

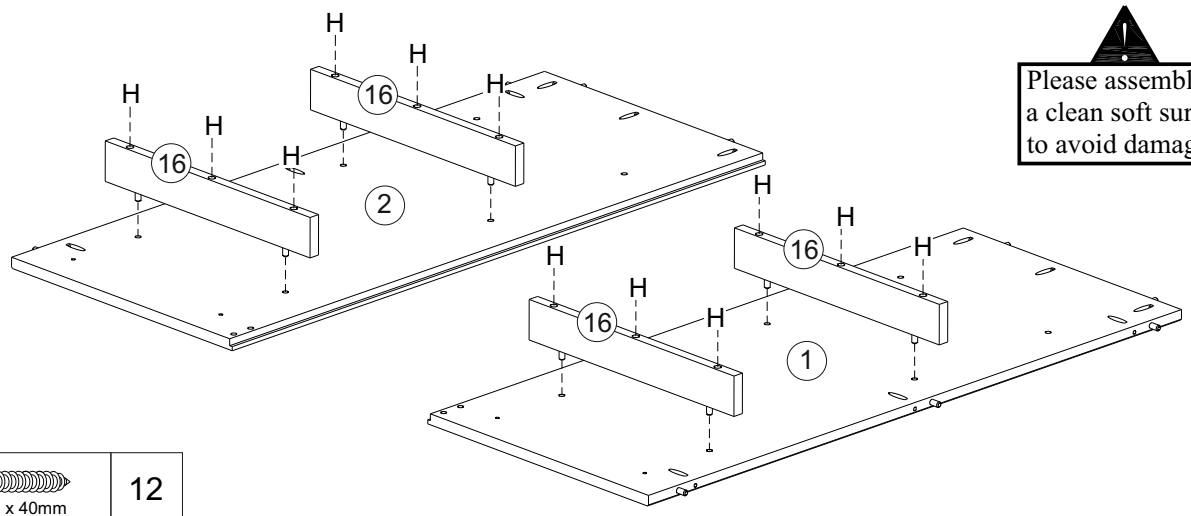
01




!
Please assemble on a clean soft surface to avoid damage.

E		32
	Ø 8 x 30mm	

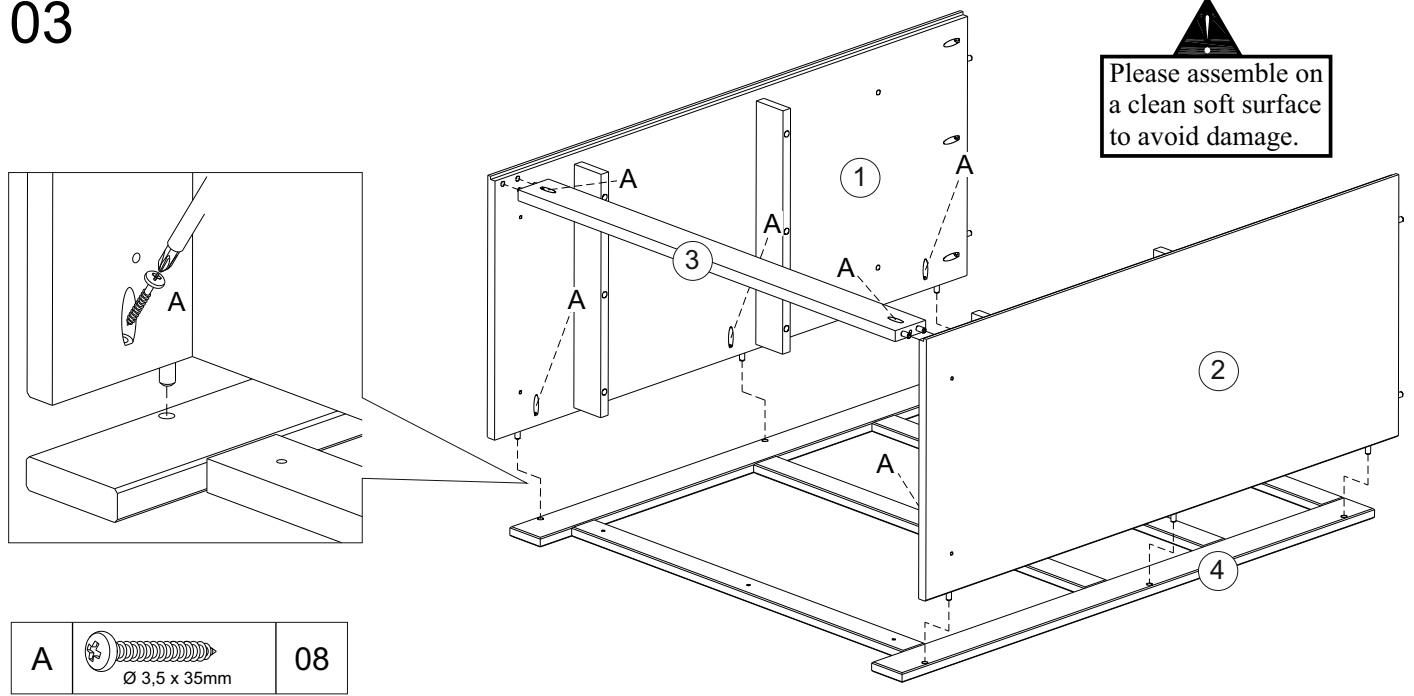
02



!
Please assemble on a clean soft surface to avoid damage.

H		12
	Ø 4,0 x 40mm	

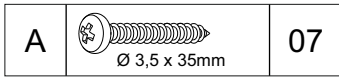
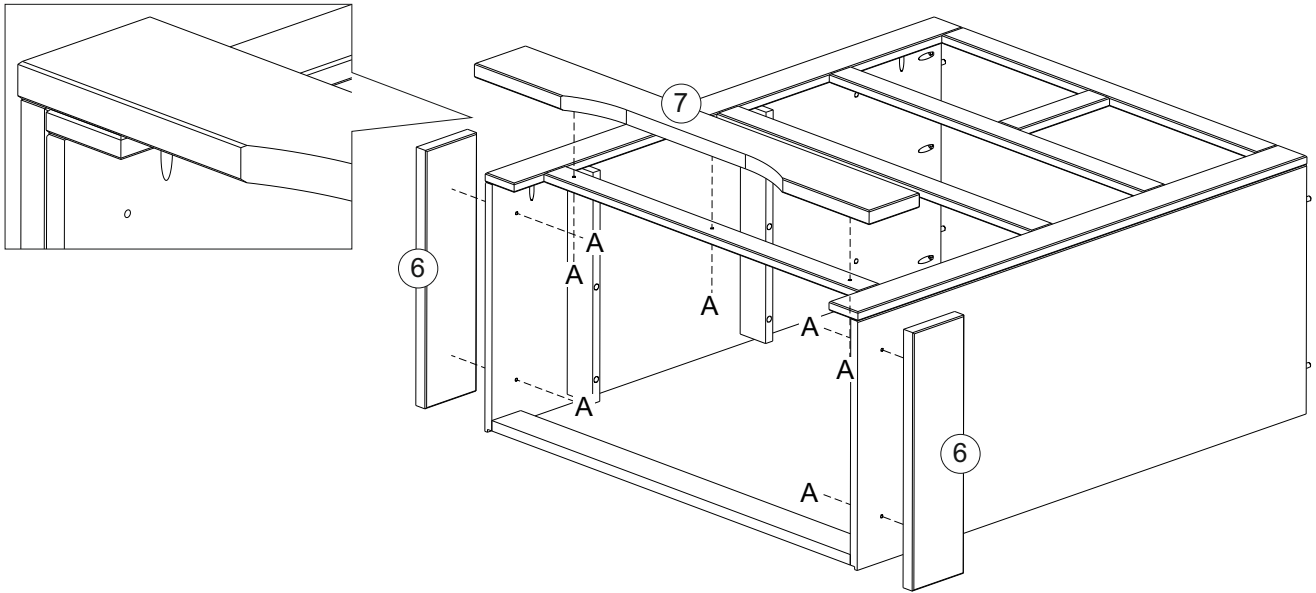
03



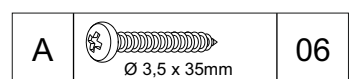
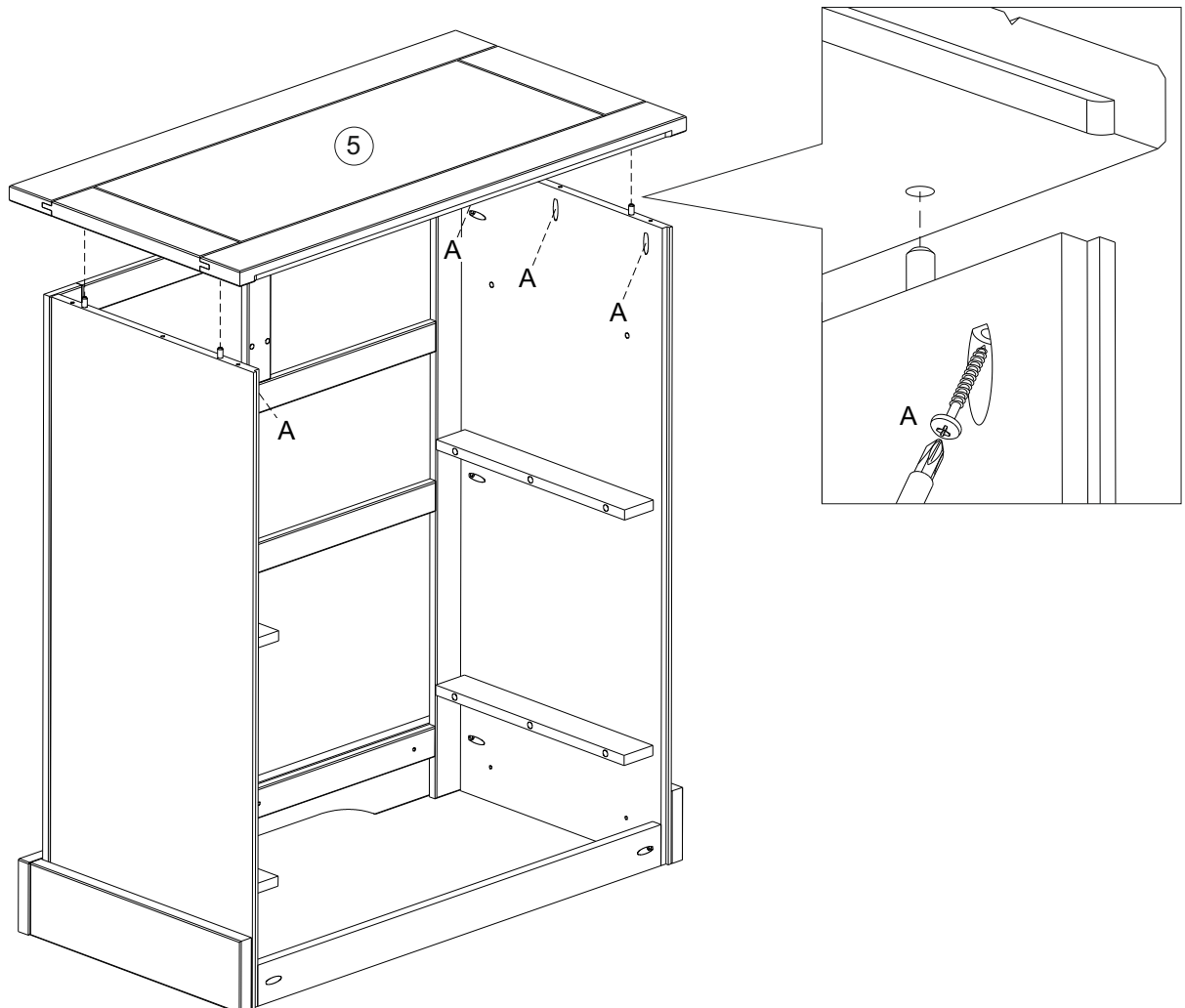
!
Please assemble on a clean soft surface to avoid damage.

A		08
	Ø 3,5 x 35mm	

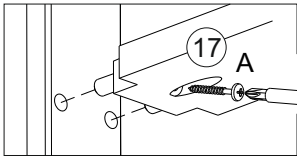
04



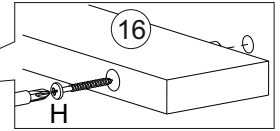
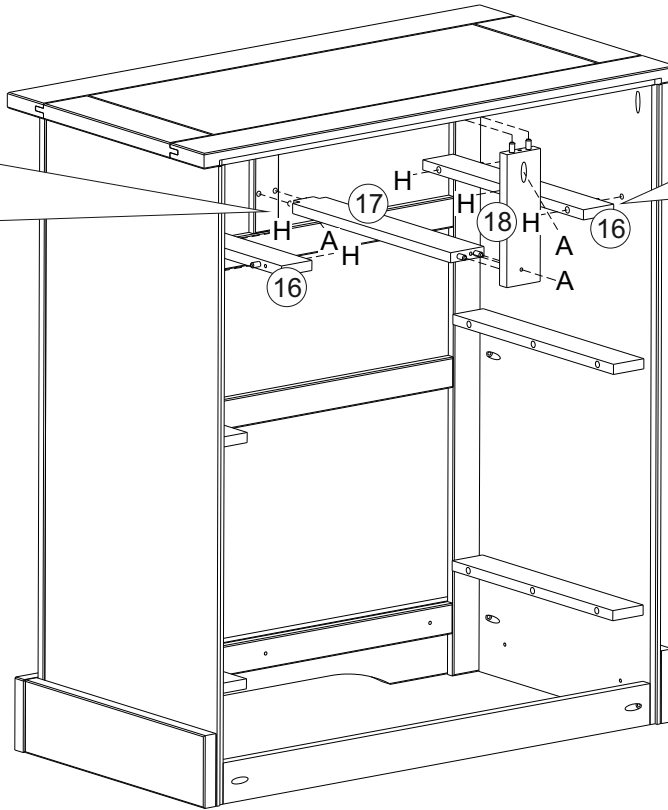
05

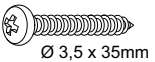
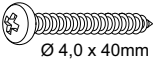


06

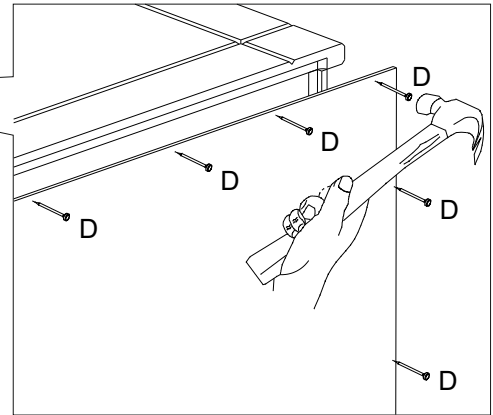
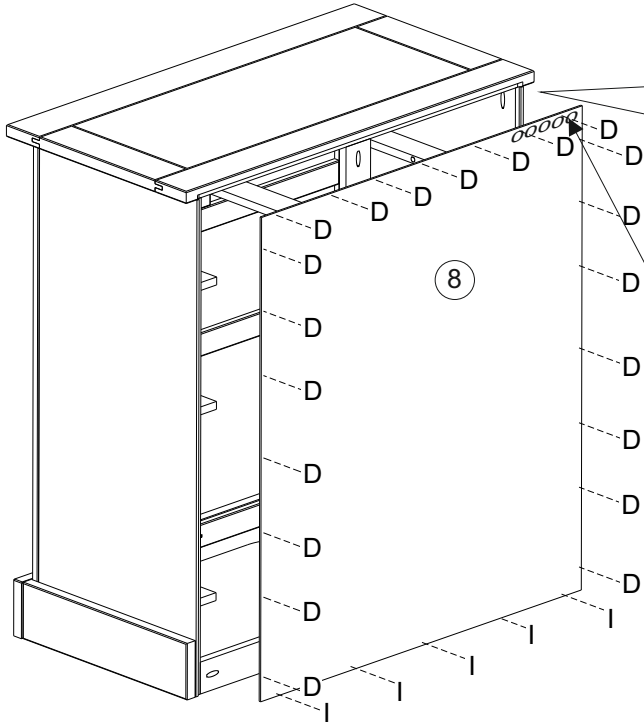


Please Note:
Cut out on part 17 should face the front.





A	 Ø 3,5 x 35mm	03
H	 Ø 4,0 x 40mm	06

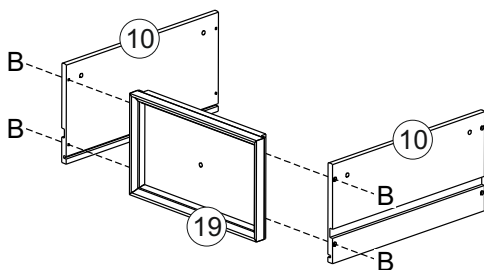
07



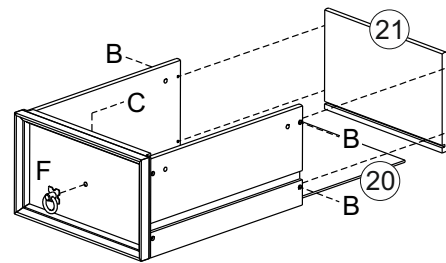
* For your future reference SPD Number should be here

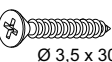
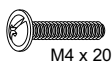

I	 Ø 3,5 x 16	05
D	 10x10mm	21

08



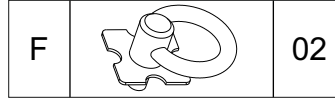
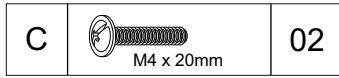
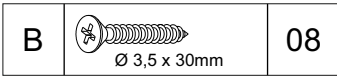
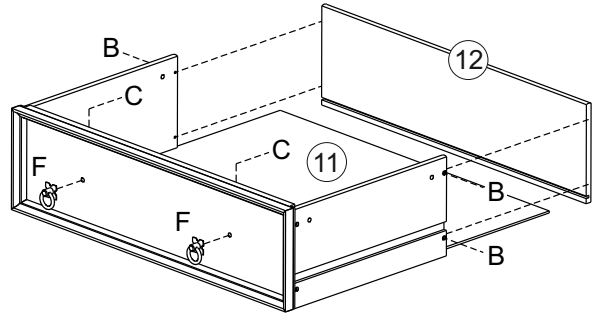
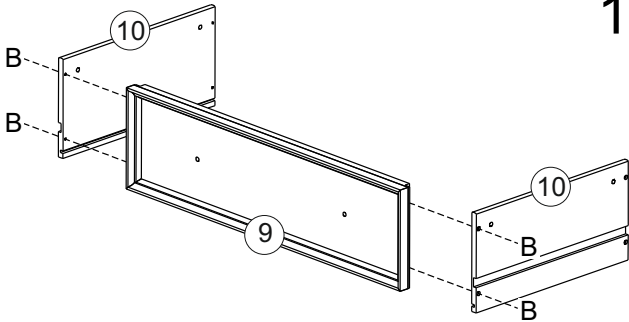
2x



B	 Ø 3,5 x 30mm	16	C	 M4 x 20mm	02	F		02
---	--	----	---	---	----	---	--	----

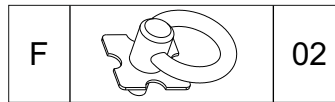
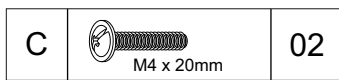
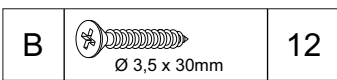
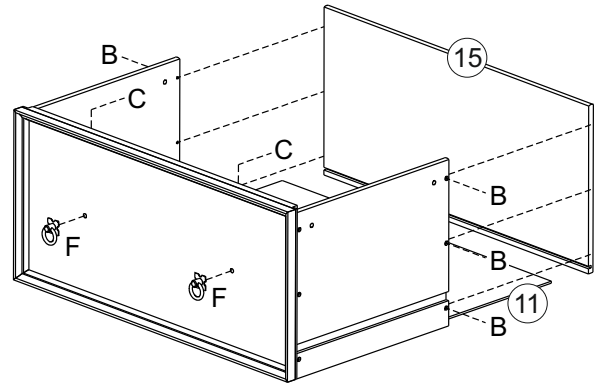
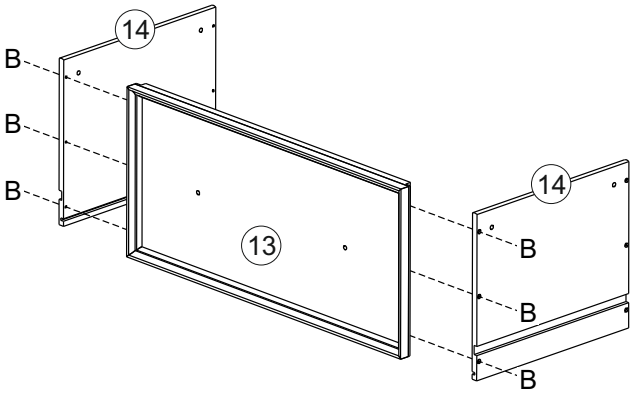
09

1x



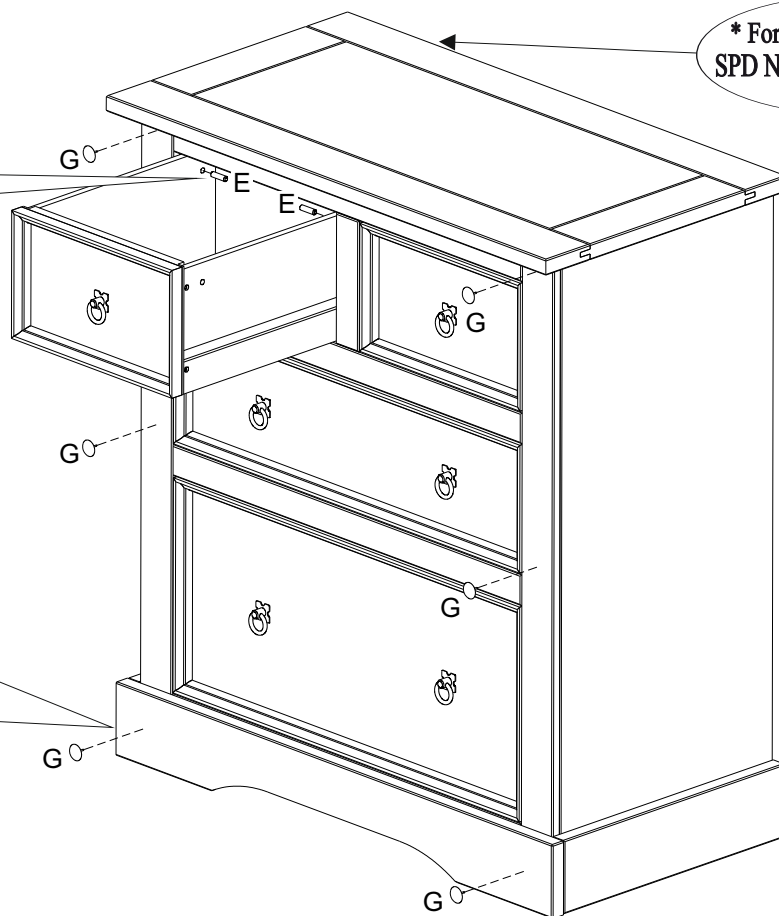
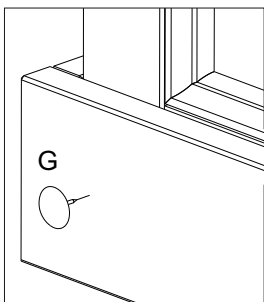
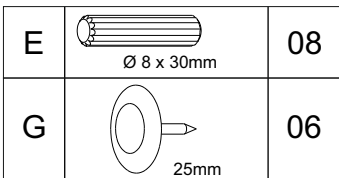
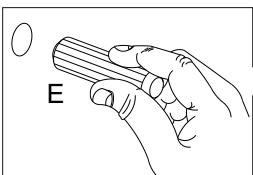
10

1x



11

* For your future reference SPD Number should be here

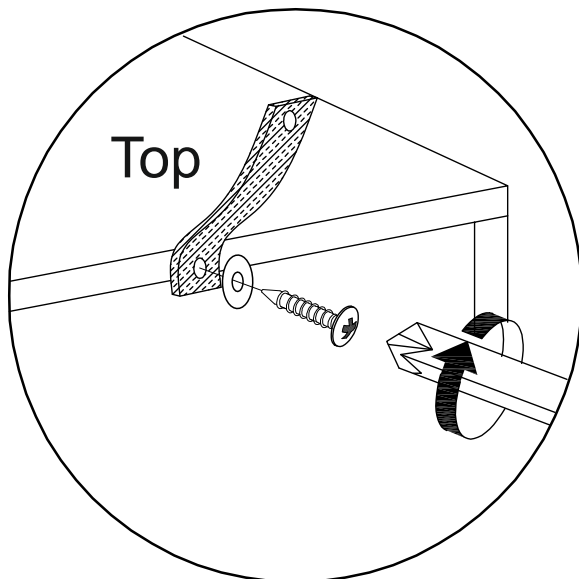


WARNING

Serious or fatal injuries can occur from furniture tipping over. To prevent the furniture from tipping over we recommend that it is permanently fixed to the wall.

Wall fixings are not supplied with this product as different wall materials require different types of fixing devices.

Please make sure you use fixings suitable for the walls in your home.



J - HARDWARE LIST



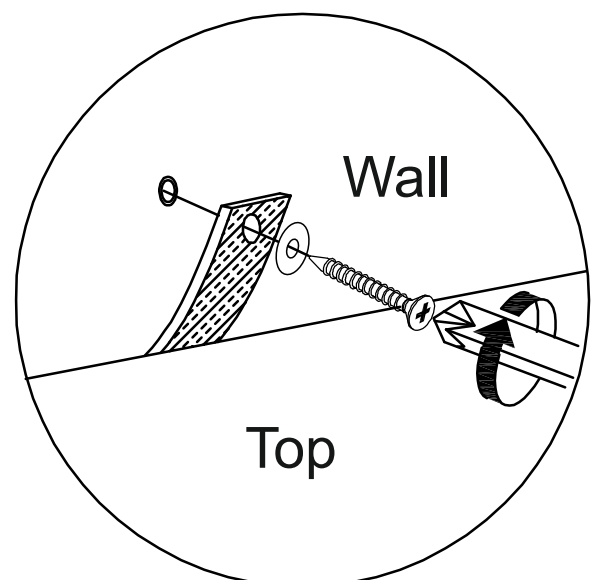
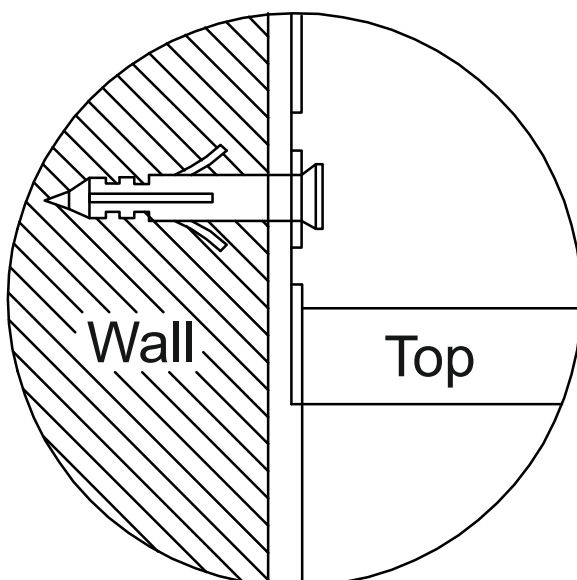
Strap (Anti-Tip Kit)
(1x)



Wood Screw (Anti-Tip Kit)
3,5 x 25mm (1x)

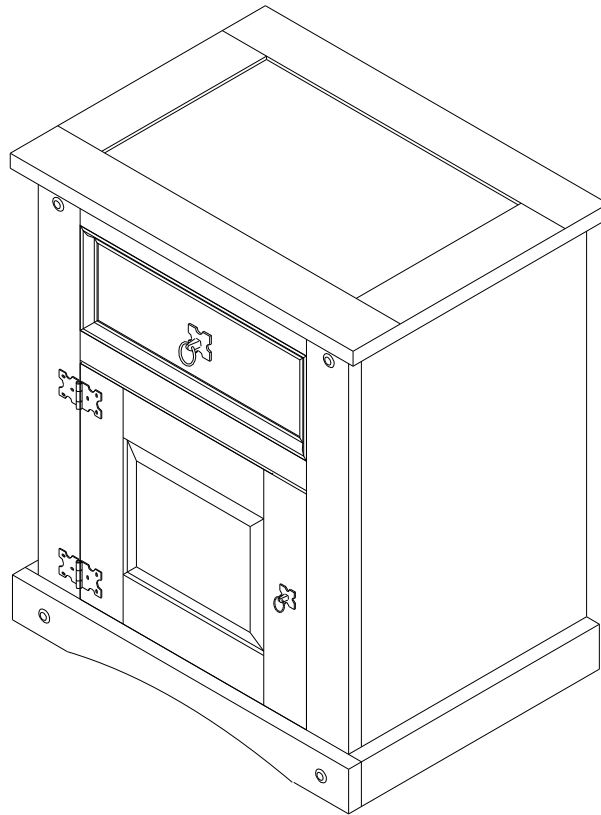


Washer (Anti-Tip Kit)
(2x)



Corona 1 Drawer 1 Door Bedside

ASSEMBLY INSTRUCTIONS



IMPORTANT

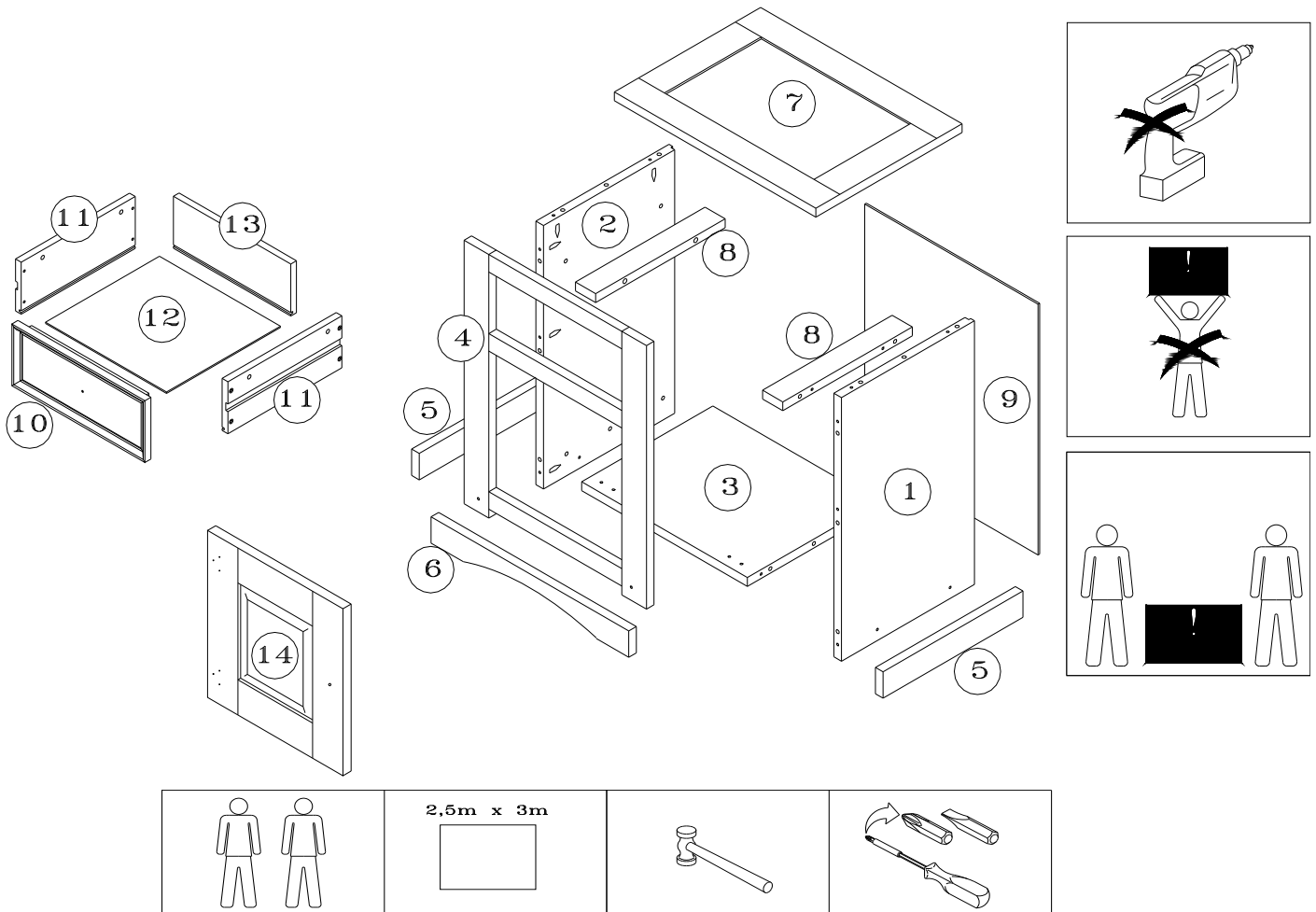
PLEASE READ BEFORE YOU CONTINUE FURTHER

FOR DOMESTIC USE ONLY

CARE AND MAINTENANCE

After unpacking this product please keep the original packaging in case it needs to be returned for any reason.

- Please ensure all fittings and parts are present before commencing with assembly.
- We recommend that you lay a blanket or sheet on the floor to avoid damage to both your floor and the product.
- We strongly recommend that you keep children away from your work area.
- Assemble this product as close to its final position as possible.
- Never drag or push products as this could cause damage to the joints making it inferior.
- Do not place this product next to a radiator or in direct sunlight.
- Wood is a natural product and may expand if subjected to damp and may shrink or crack if subjected to heat. Therefore it is recommended that room temperature is maintained, with no sudden temperature fluctuations.
- Make sure any spillage is wiped off immediately.
- Do not place hot or chilled items directly on to the surface, use a place mat or marking will occur.
- For general cleaning use a duster, and do not use detergents of any kind. However, the surface will need to be retreated from time to time. This can be done by using block wax (unperfumed) and rubbing it over the whole item.
- From time to time it may be necessary to tighten fittings, regular inspections should be carried out.



!
 * Use of power tools to assemble this product will invalidate any claim and damage this product making it unsafe !!!
 * Please assemble on a clean soft surface to avoid damage.

!
 * Please check contents and read the instructions before commencing assembly.
 * Assemble this product following the enclosed instructions carefully.
 * Please take care to avoid damaging panels during assembly.

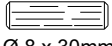
PARTS LIST

1	Right Side Panel	01	8	Drawer Runner	02
2	Left Side Panel	01	9	Back Panel	01
3	Base	01	10	Drawer Front	01
4	Front Frame	01	11	Drawer Side	02
5	Side Plinth	02	12	Drawer Bottom	01
6	Front Plinth	01	13	Drawer Back	01
7	Top	01	14	Door	01

FITTINGS

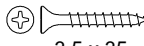
A		20	F		02	J		02
B		08	G		04	K		01
C		02	H		04	L		16
D		16	I		01			
E		24						

01

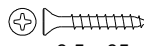
E		22
Ø 8 x 30mm		

Please assemble on a clean soft surface to avoid damage.

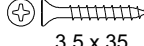
02

A		04
3,5 x 35		

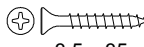
03

A		06
3,5 x 35		

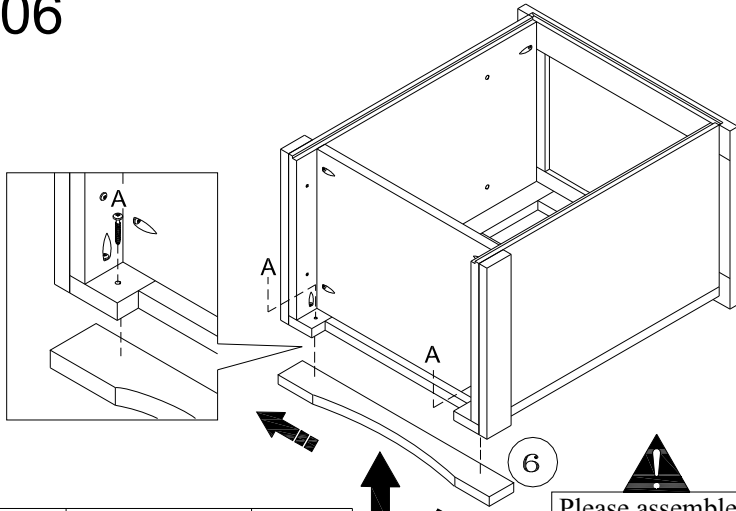
04

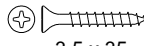
A		04
3,5 x 35		


05

A		04
3,5 x 35		

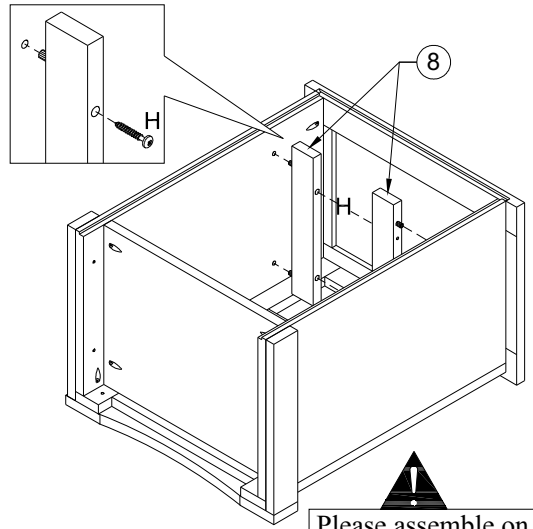
06

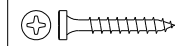



A		02
	3,5 x 35	

 Please assemble on a clean soft surface to avoid damage.

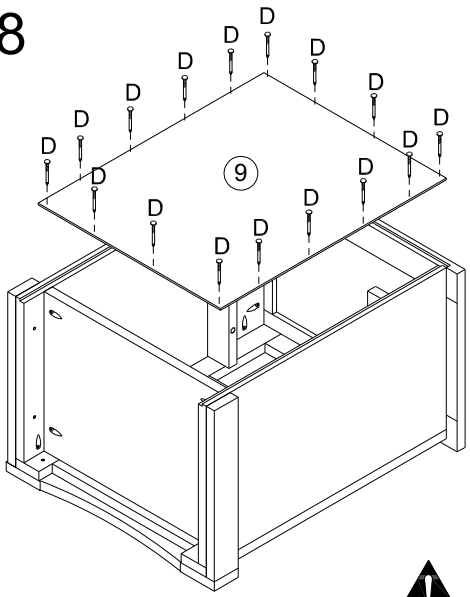
07





H		04
	4,0 x 40	

 Please assemble on a clean soft surface to avoid damage.

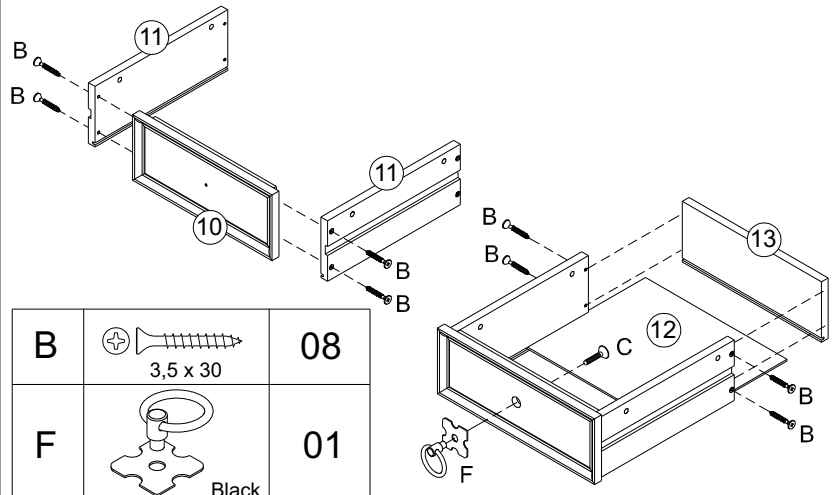
08

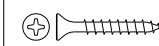
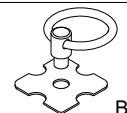
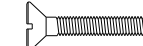


D		16
	10 x 10	

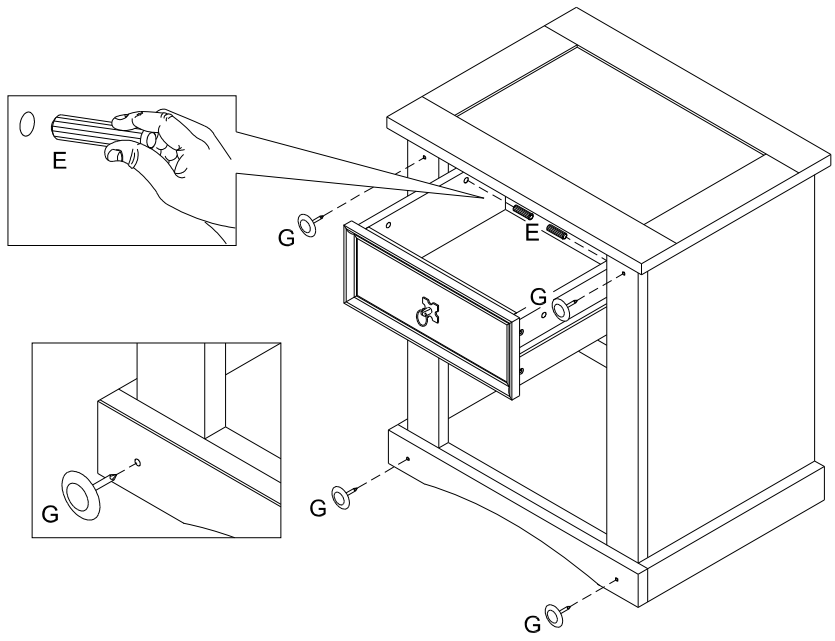
 Please assemble on a clean soft surface to avoid damage.

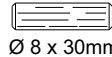

09



B		08
	3,5 x 30	
F		01
	Black	
C		01

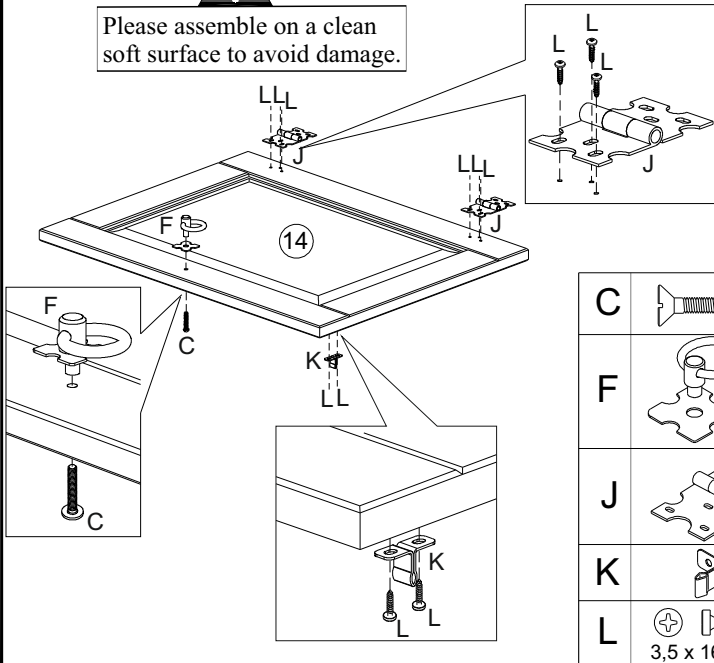
10



E		02
	Ø 8 x 30mm	
G		04

11 RIGHT DOOR

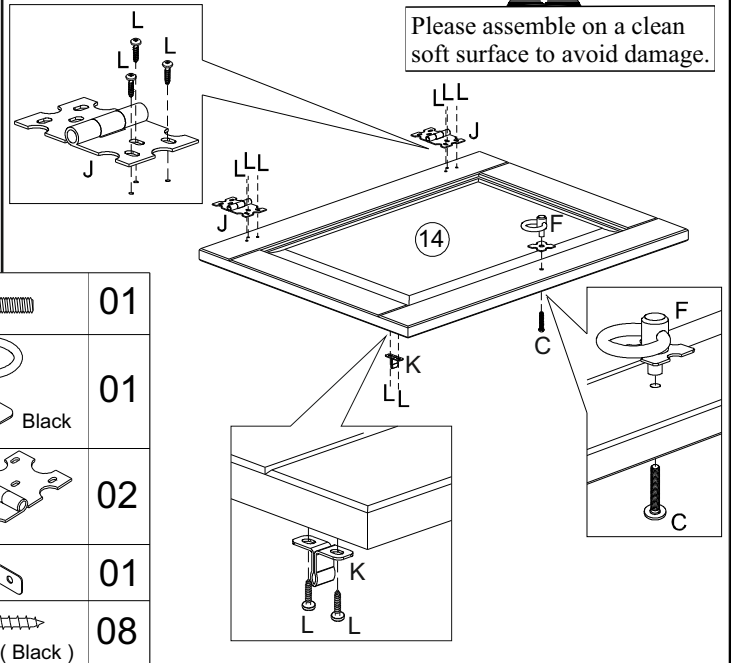
Please assemble on a clean soft surface to avoid damage.



C		01
F		01
J		02
K		01
L		08
3,5 x 16 (Black)		

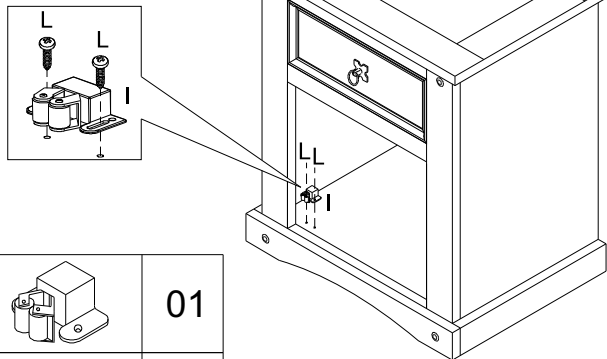
11 LEFT DOOR

Please assemble on a clean soft surface to avoid damage.



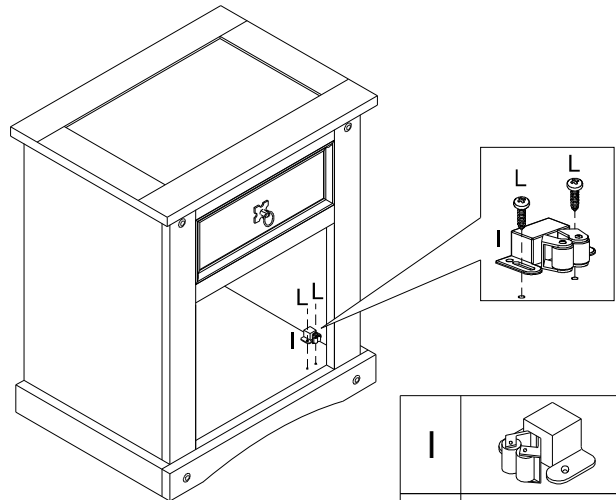
C		01
F		01
J		02
K		01
L		08
3,5 x 16 (Black)		

12 OPTION RIGHT DOOR



I		01
L		02
3,5 x 16 (Black)		

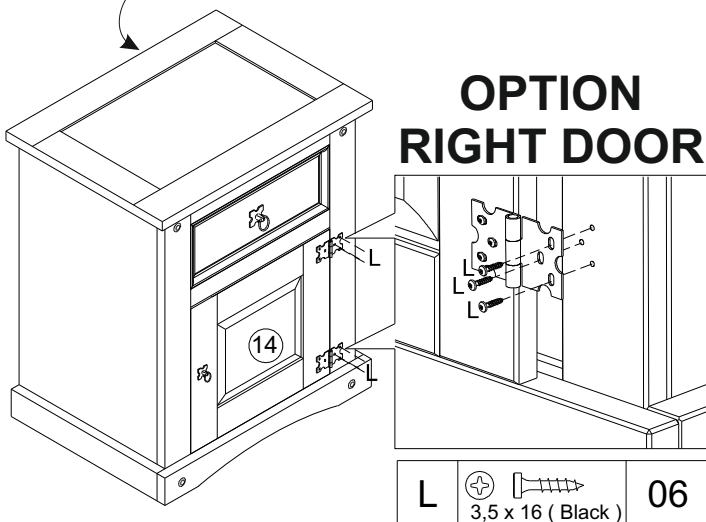
12 OPTION LEFT DOOR



I		01
L		02
3,5 x 16 (Black)		

13

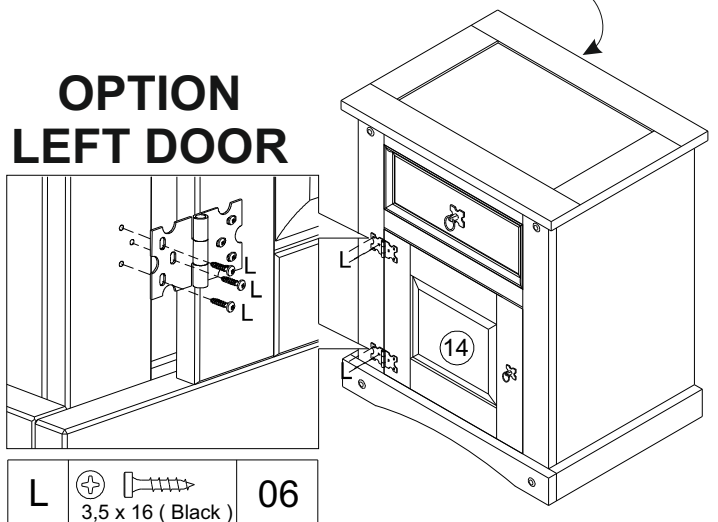
* For your future reference SPD Number should be here



L		06
3,5 x 16 (Black)		

13

* For your future reference SPD Number should be here



L		06
3,5 x 16 (Black)		