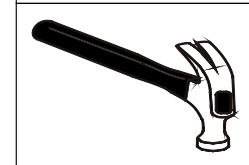
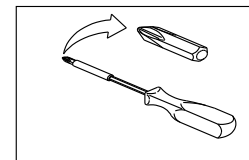
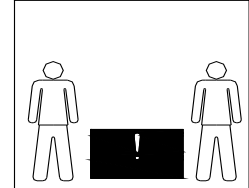
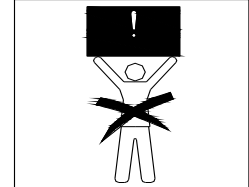
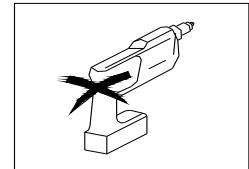
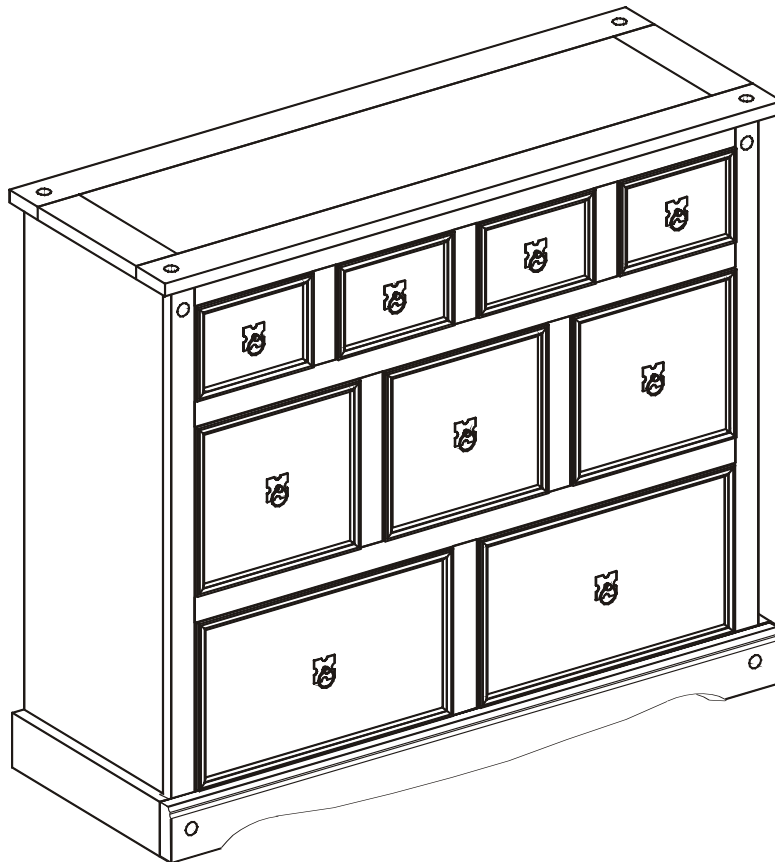


Corona 4+3+2 Drawer Merchant Chest

ASSEMBLY INSTRUCTIONS



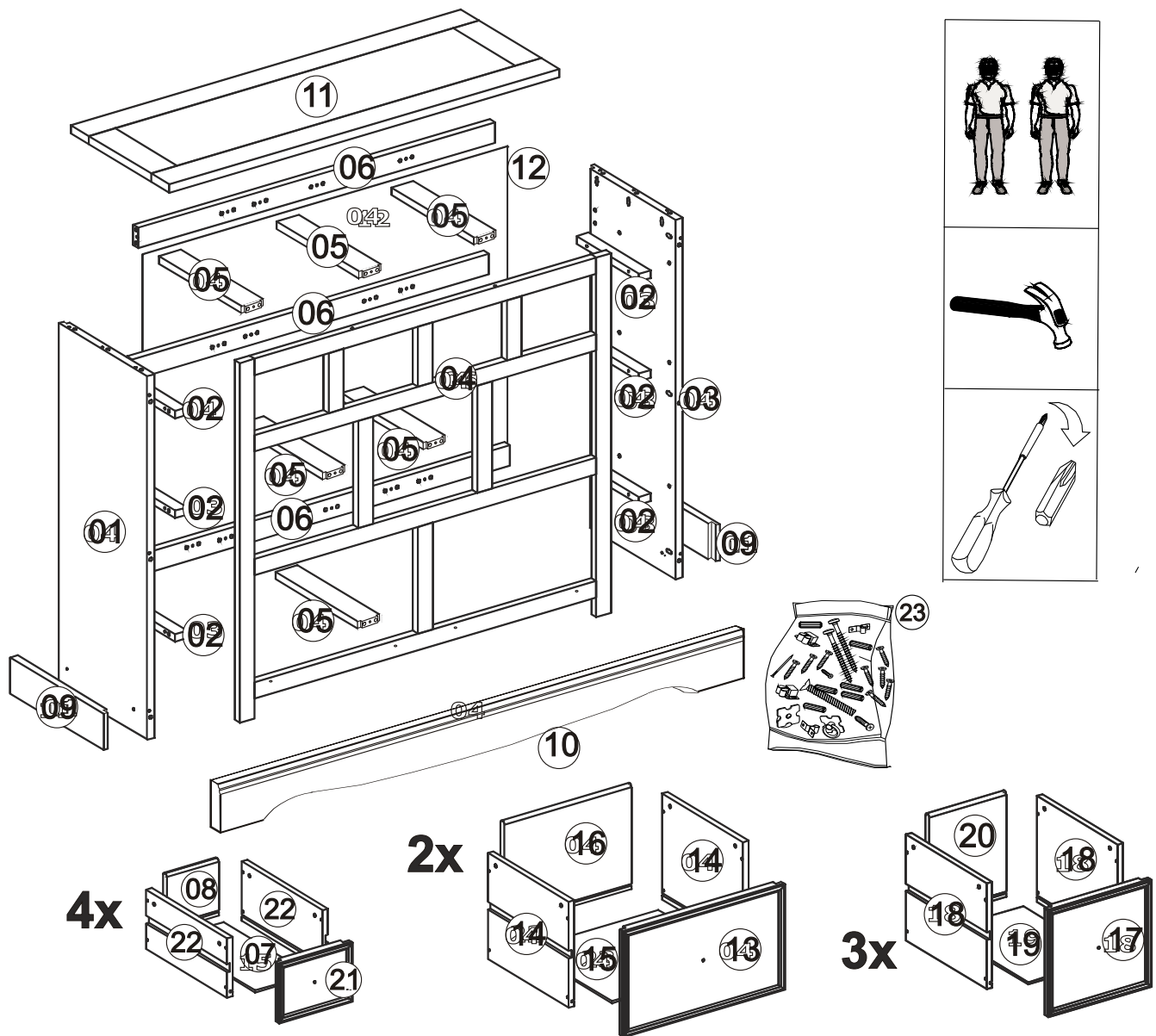
IMPORTANT

PLEASE READ BEFORE YOU CONTINUE FURTHER
FOR DOMESTIC USE ONLY

CARE AND MAINTENANCE

After unpacking this product please keep the original packaging in case it needs to be returned for any reason.

- Please ensure all fittings and parts are present before commencing with assembly.
- We recommend that you lay a blanket or sheet on the floor to avoid damage to both your floor and the product.
- We strongly recommend that you keep children away from your work area.
- Assemble this product as close to its final position as possible.
- Never drag or push products as this could cause damage to the joints making it inferior.
- Do not place this product next to a radiator or in direct sunlight.
- Wood is a natural product and may expand if subjected to damp and may shrink or crack if subjected to heat. Therefore it is recommended that room temperature is maintained, with no sudden temperature fluctuations.
- Make sure any spillage is wiped off immediately.
- Do not place hot or chilled items directly on to the surface, use a place mat or marking will occur.
- For general cleaning use a duster, and do not use detergents of any kind. However, the surface will need to be retreated from time to time. This can be done by using block wax (unperfumed) and rubbing it over the whole item.
- From time to time it may be necessary to tighten fittings, regular inspections should be carried out.



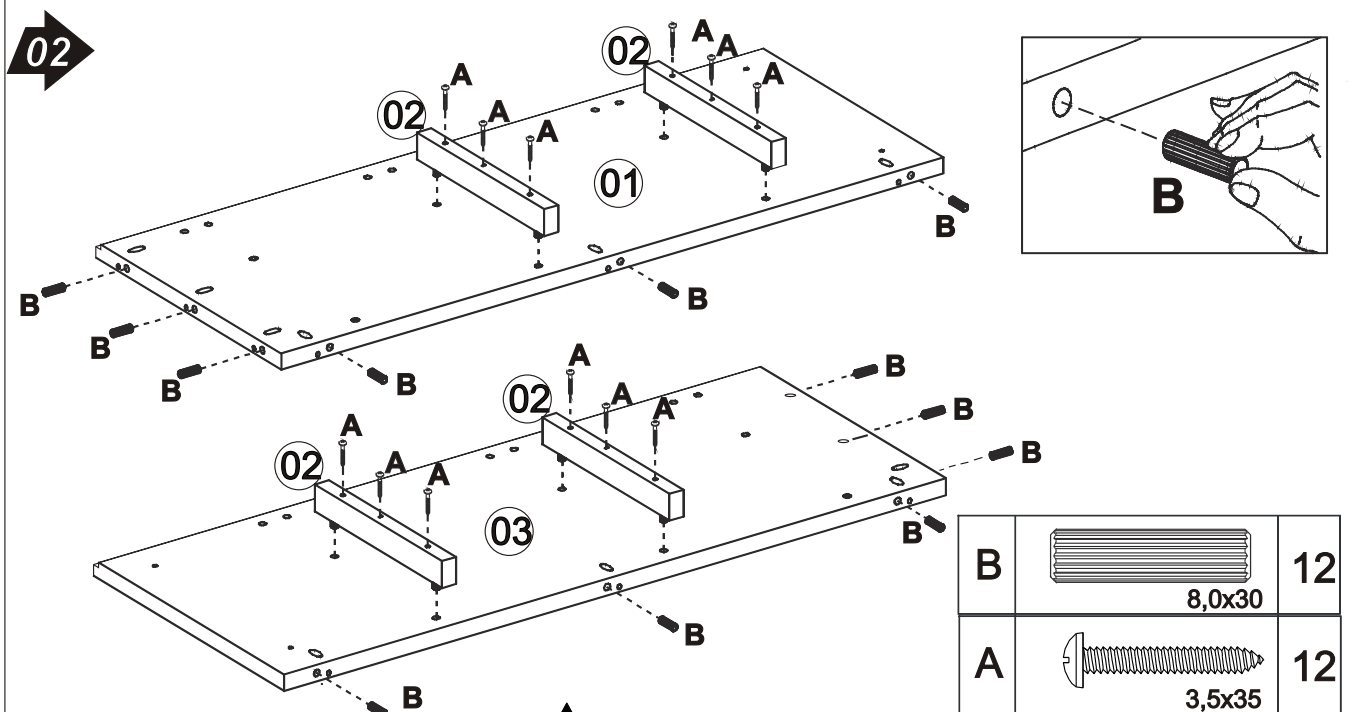
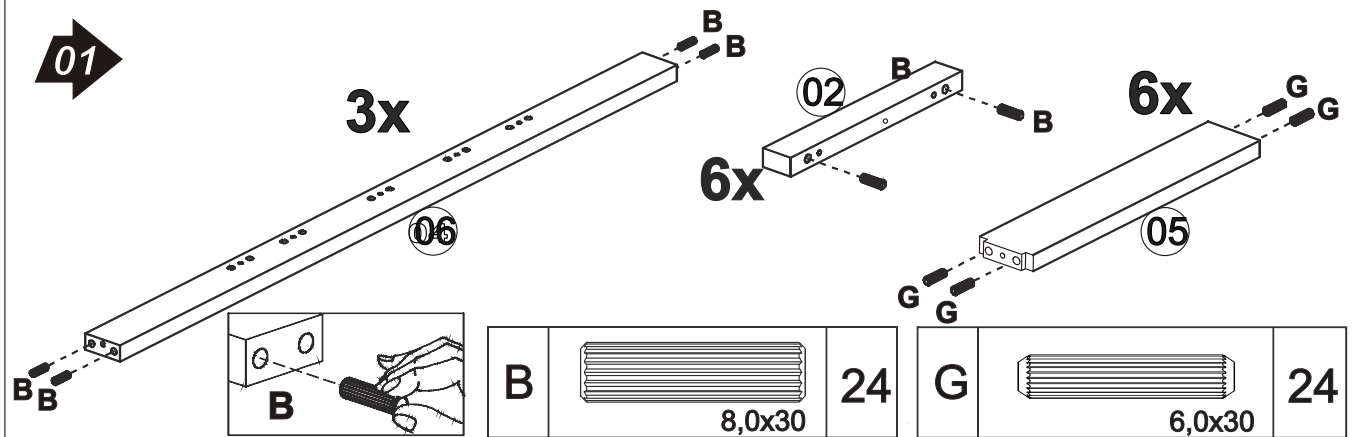
01	Left Side Panel	01	13	Large Drawer Front	02
02	Drawer Runner	06	14	Large Drawer Side	04
03	Right Side Panel	01	15	Large Drawer Bottom	02
04	Front Frame	01	16	Large Drawer Back	02
05	Centre Drawer Runner	06	17	Medium Drawer Front	03
06	Back Crossbars	03	18	Medium Drawer Side	06
07	Small Drawer Bottom	04	19	Medium Drawer Bottom	03
08	Small Drawer Back	04	20	Medium Drawer Back	03
09	Side Plinth	02	21	Small Drawer Front	04
10	Front Plinth	01	22	Small Drawer Side	08
11	Top	01	23	Hardware Kit	01
12	Back Panel	01			

FITTINGS



- * Please check contents and read the instructions before commencing assembly.
- * Assemble this product following the enclosed instructions carefully.
- * Please take care to avoid damaging parts during assembly.

A			58	F		08
B			54	G		24
C			72	H		07
D			18	I		01
E			09			

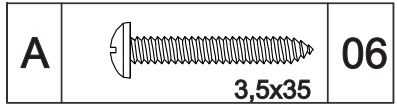
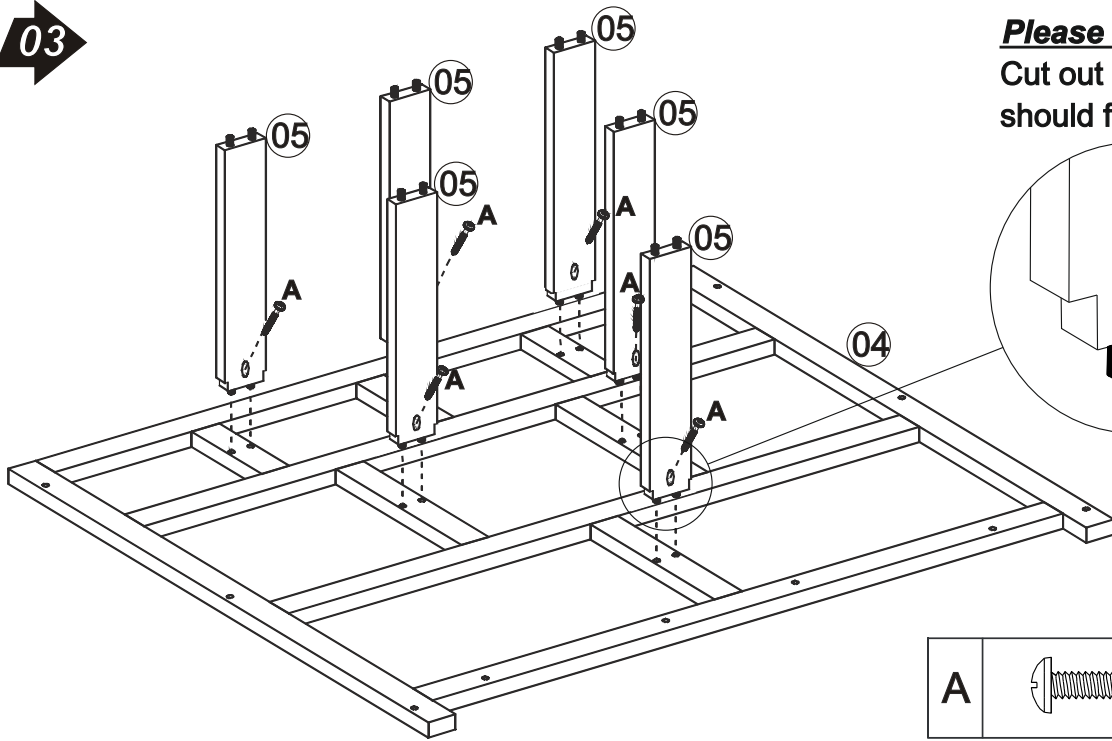


- * Use of power tools to assemble this product will invalidate any claim and could damage this product making it unsafe!!!
- * Please assemble on a clean soft surface to avoid damage.

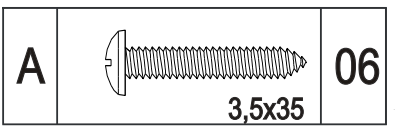
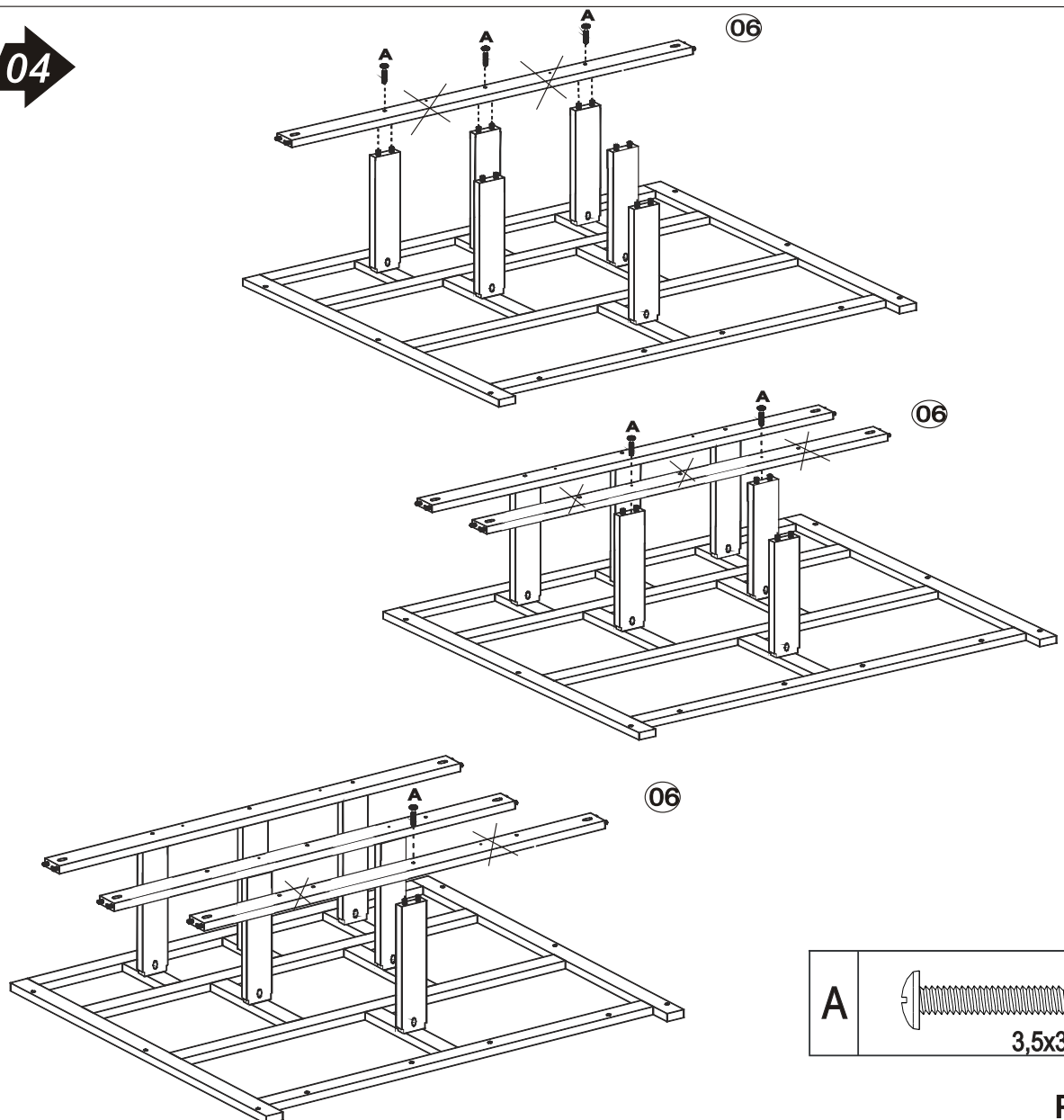
03

Please Note:

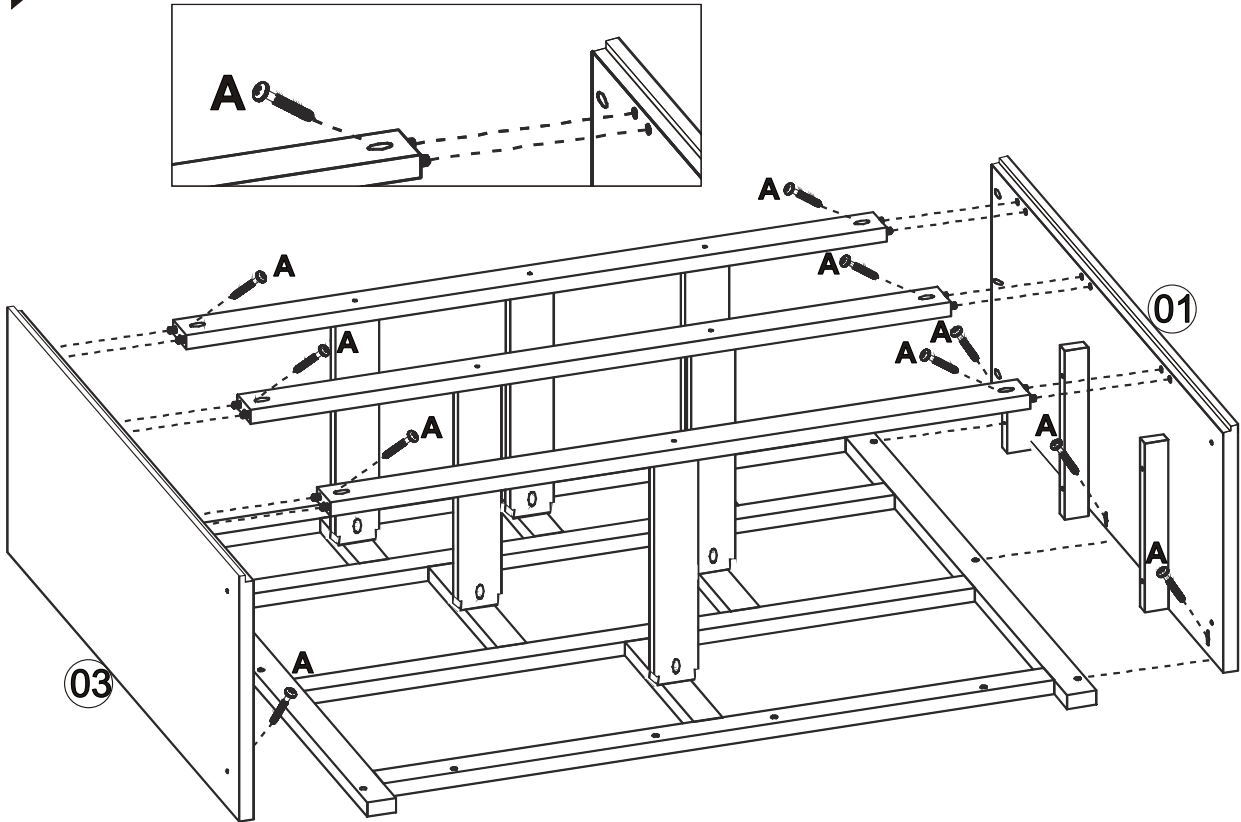
Cut out on parts 05 should face the front.

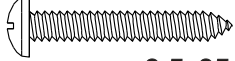


04

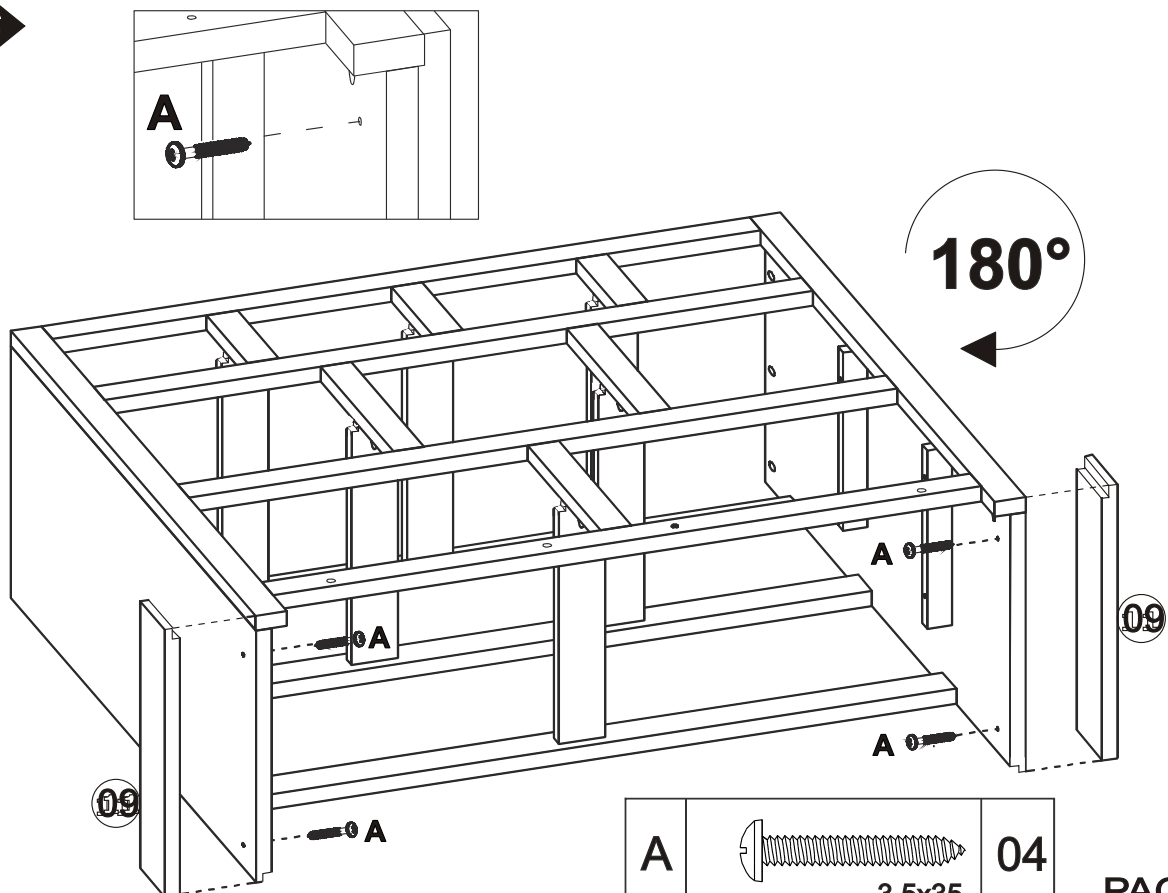



05



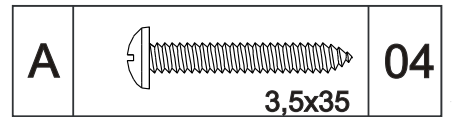
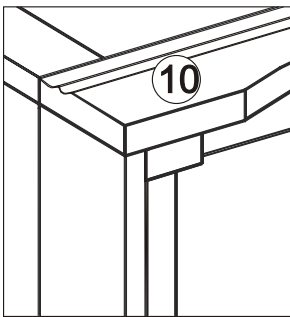
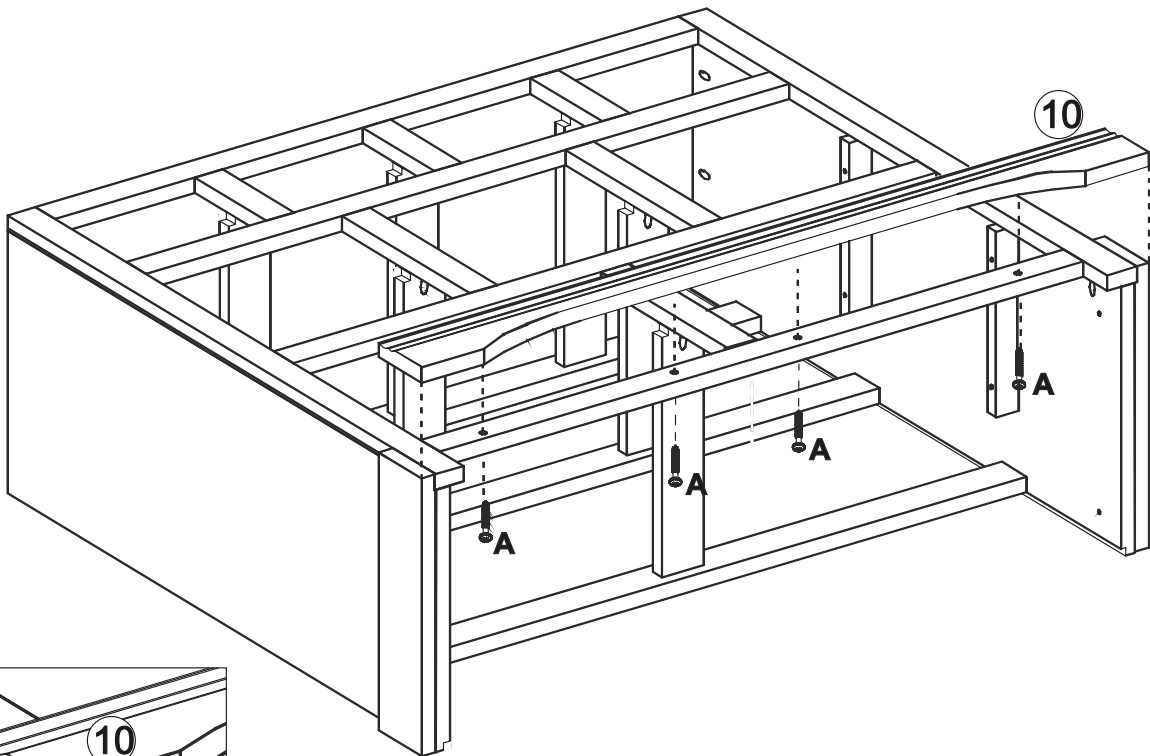
A	 3,5x35	12
---	-------------------------------------------------------------------------------------------------	----

06

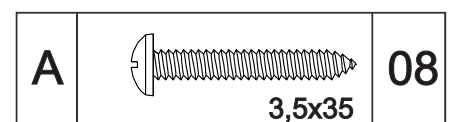
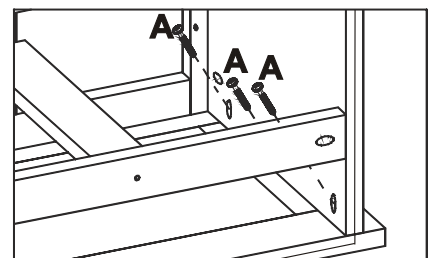
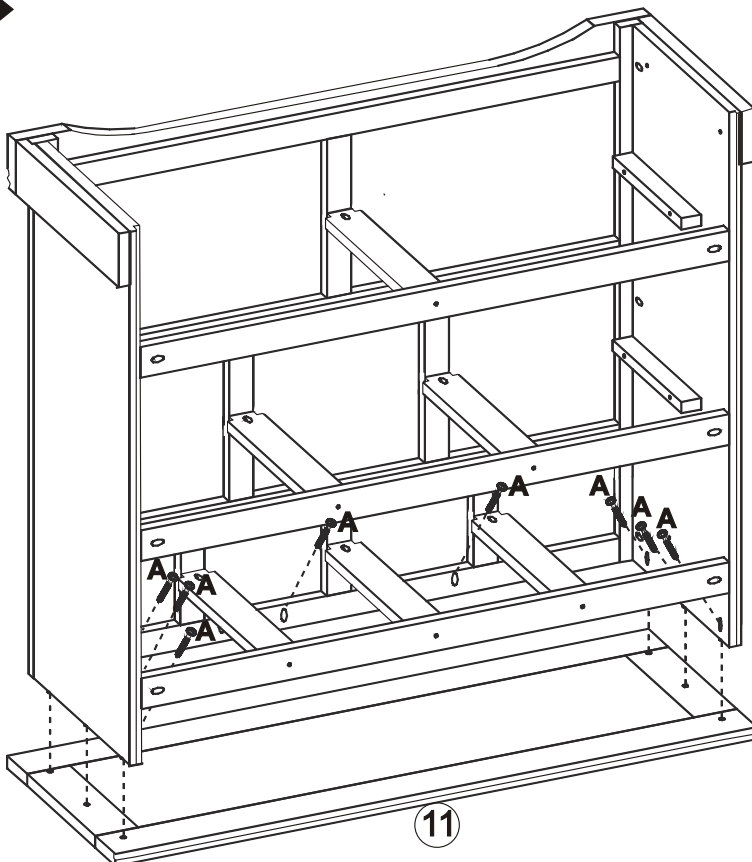


A	 3,5x35	04
---	------------------------------------------------------------------------------------------------	----

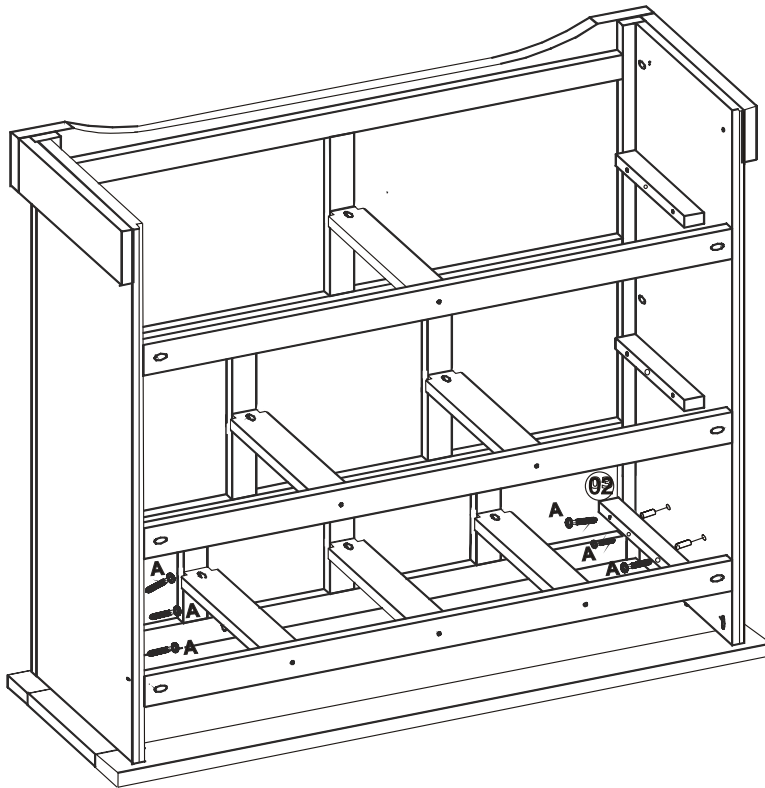
07




08

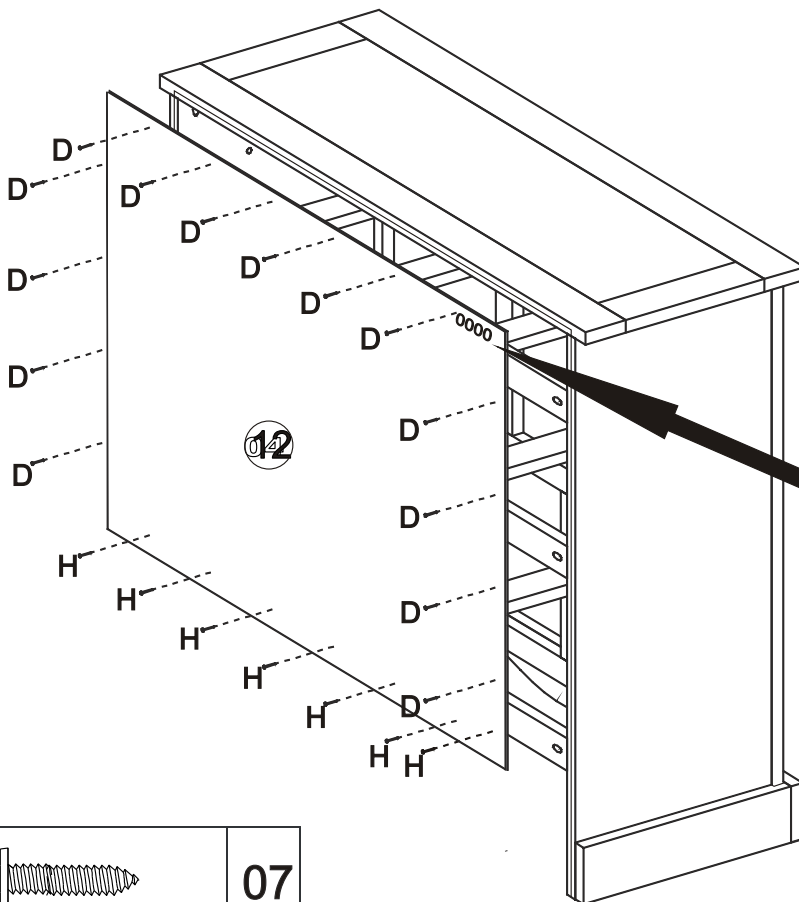


09




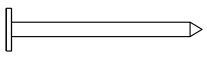
A	 3,5x35	06
---	-----------------------------------------------------------------------------------------------	----

10

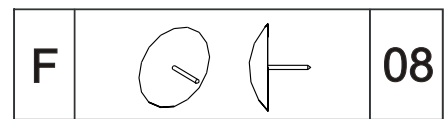
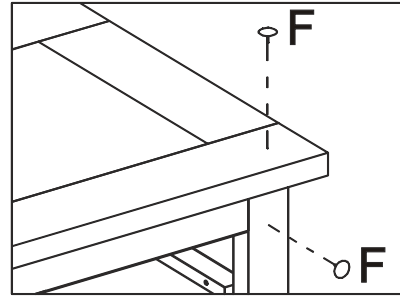
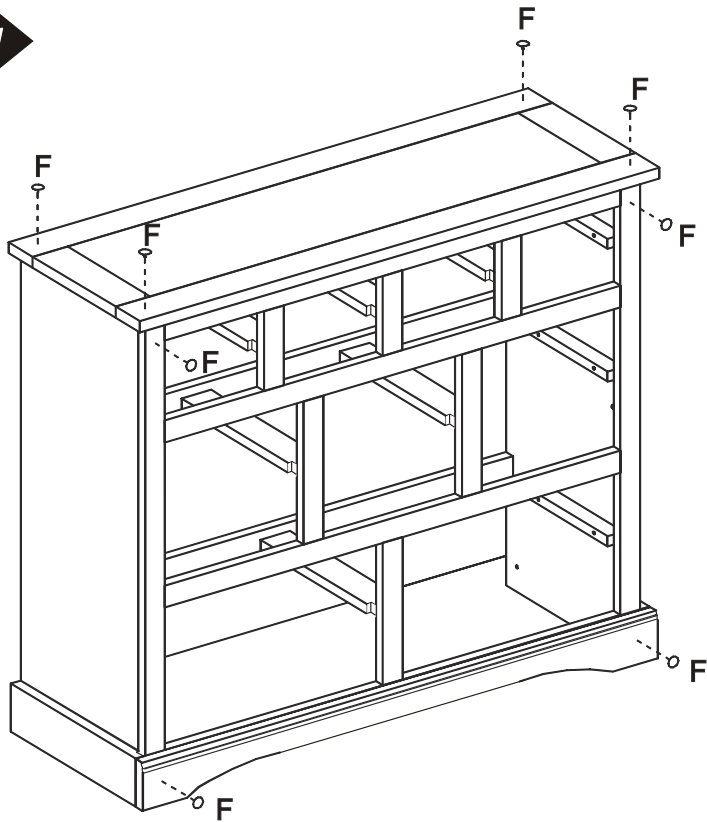


* For your future reference
SPD Number should be here

H	 3,5x16	07
---	-----------------------------------------------------------------------------------------------	----

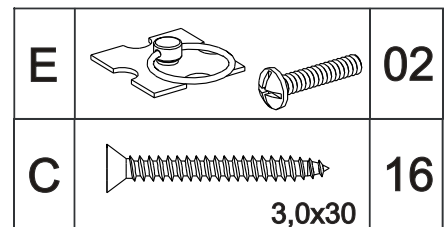
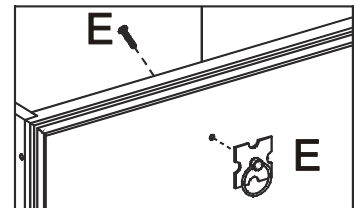
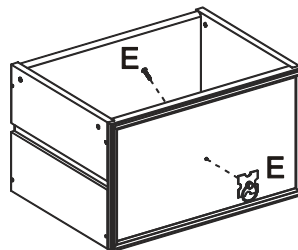
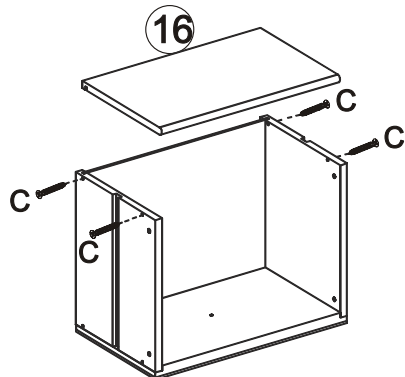
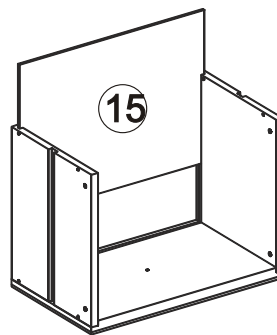
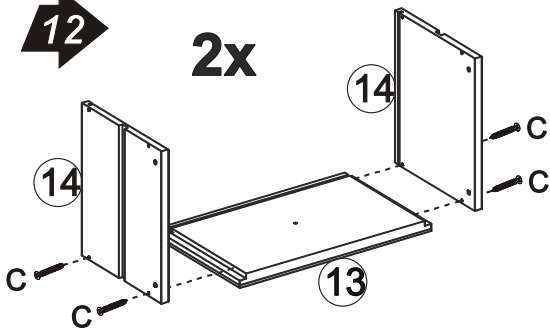
D	 10 x 10	18
---	------------------------------------------------------------------------------------------------	----

11

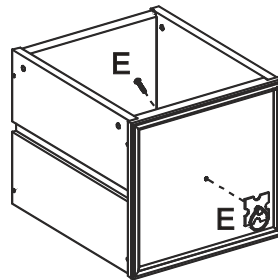
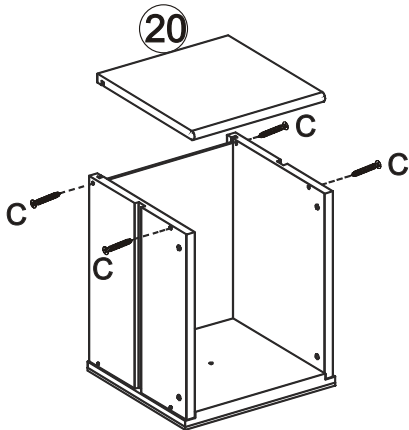
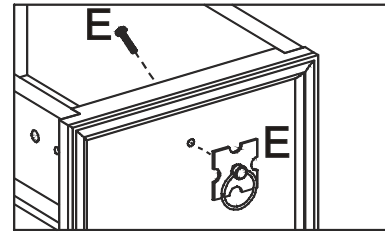
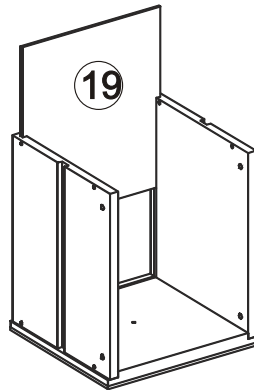
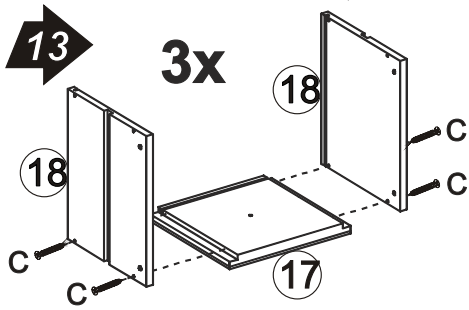


12

2x

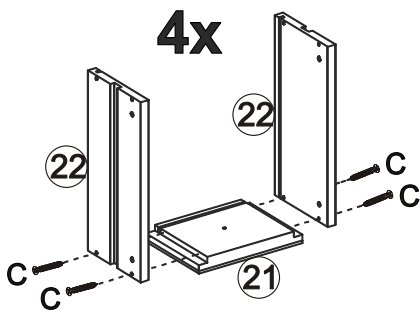


* Use of power tools to assemble this product will invalidate any claim and could damage this product making it unsafe!!!
 * Please assemble on a clean soft surface to avoid damage.

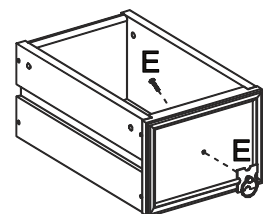
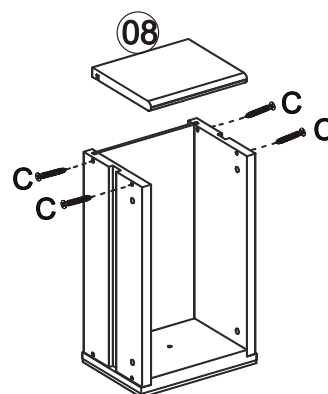
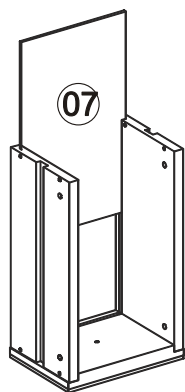


E		03
C		24

14

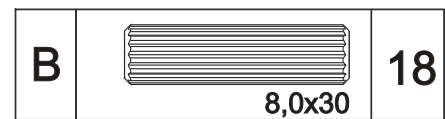
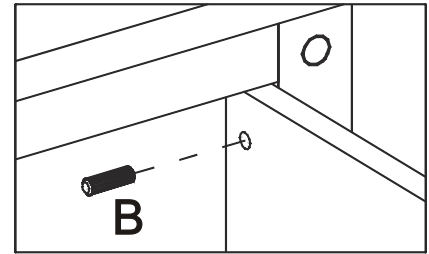
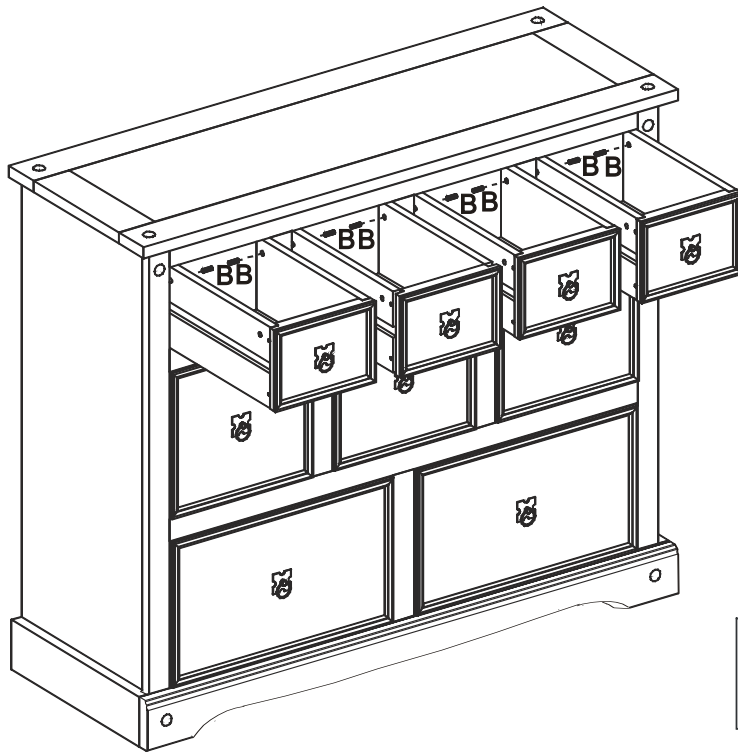


E		04
C		32



* Use of power tools to assemble this product will invalidate any claim and could damage this product making it unsafe!!!
 * Please assemble on a clean soft surface to avoid damage.

15



16

WARNING

Serious or fatal injuries can occur from furniture tipping over. To prevent the furniture from tipping over we recommend that it is permanently fixed to the wall.

Wall fixings are not supplied with this product as different wall materials require different types of fixing devices.

Please make sure you use fixings suitable for the walls in your home.

HARDWARE LIST



Strap (Anti-Tip Kit)
(1x)



Wood Screw (Anti-Tip Kit)
3,5 x 25mm (1x)



Washer (Anti-Tip Kit)
(2x)

